

# Working diagrams

## Palfinger P 300KS

on

MAN TGL 8.XXX / MB Atego 8XX

The working diagrams shown below have the following preconditions:

**Solid line:**

Standard working diagram

Working height = height of basket bottom + 2.0 m

The basket is in basic position (not turned) and retracted

**The following applies generally:**

All specifications refer to standard aluminum basket without additional equipment

Maximum inclination 0,5°

Set-up inclination is max. 2° with automatic range adjustment.

**Note on working diagram:**

Additional attachments that deviate from the standard reduce range and basket load

Special baskets have different ranges

Reach at plastic workman basket ~ 0,8m reduced

Permitted maximum basket load according to technical description

The outreaches are approximate dimensions and depend on the chassis, the type of support and the lifting platform's additional equipment.

Illustrations of truck and unit are only of symbolic nature and do not allow any conclusions regarding technical design.

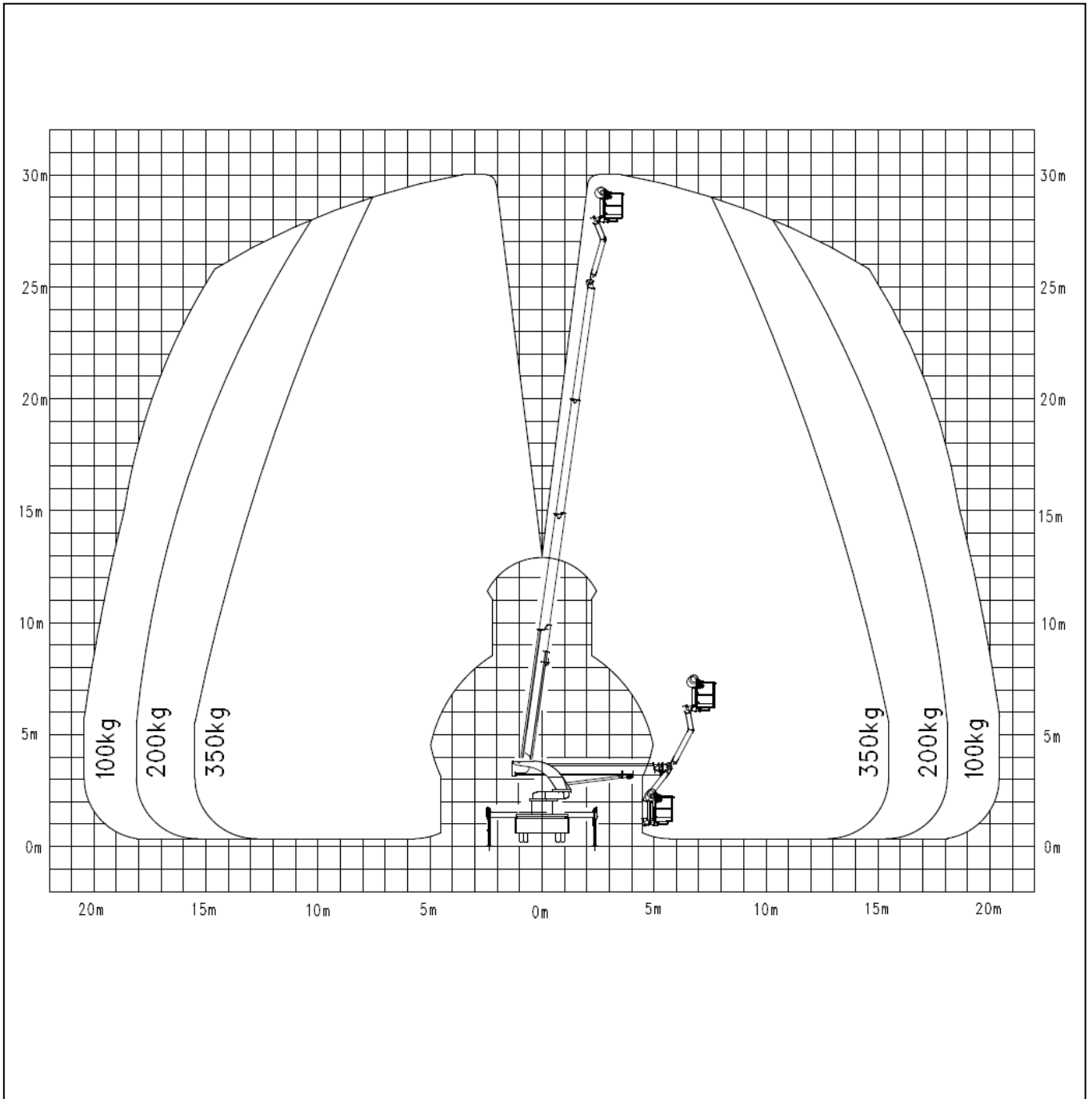
Subject to technical change!

# Palfinger P 300KS

## Rear view

Extension of stabiliser  
outrigger

Front left	100%
Front right	100%
Rear left	100%
Rear right	100%

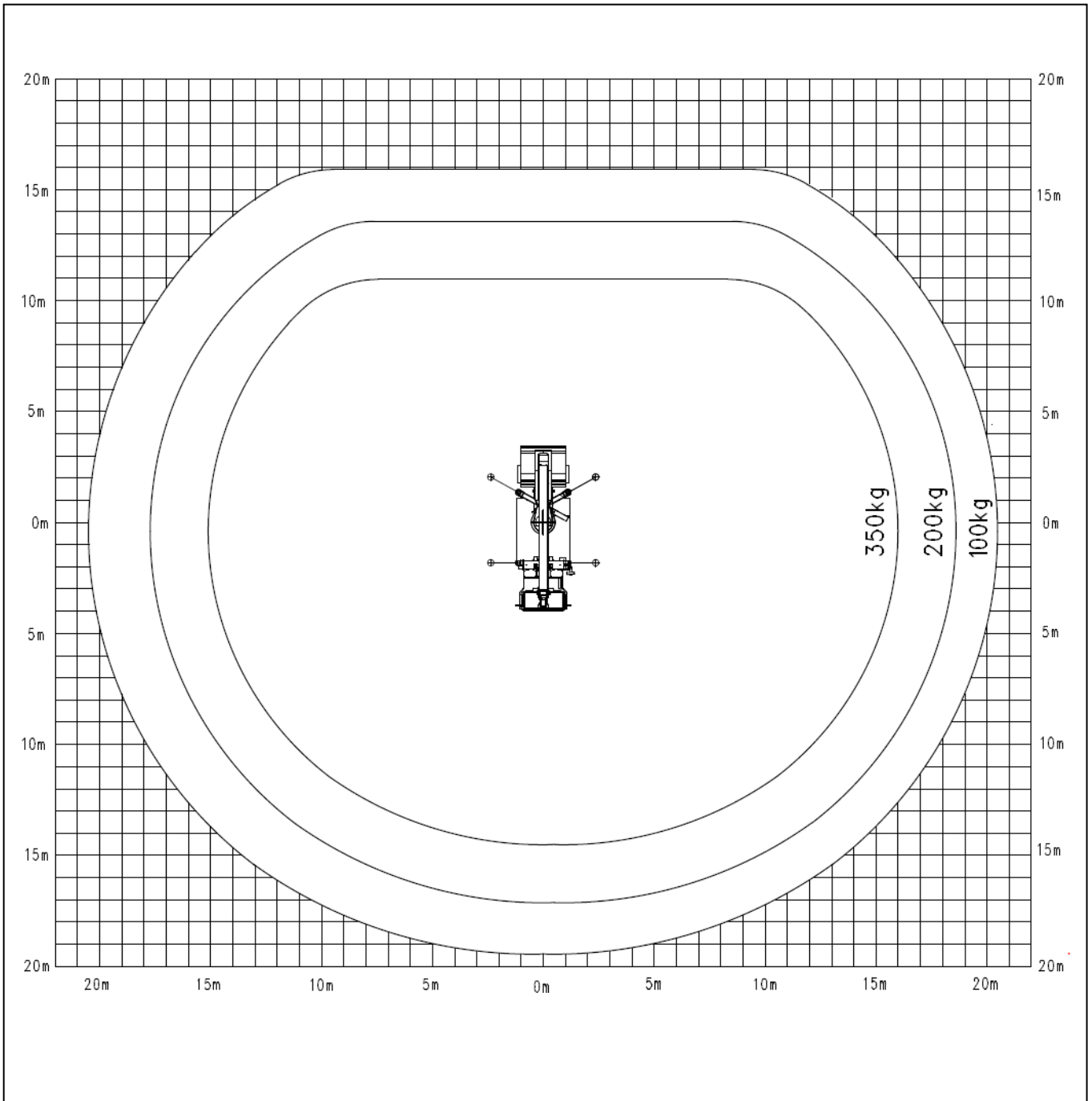


# Palfinger P 300KS

## Top view

Extension of stabiliser  
outrigger

Front left	100%
Front right	100%
Rear left	100%
Rear right	100%

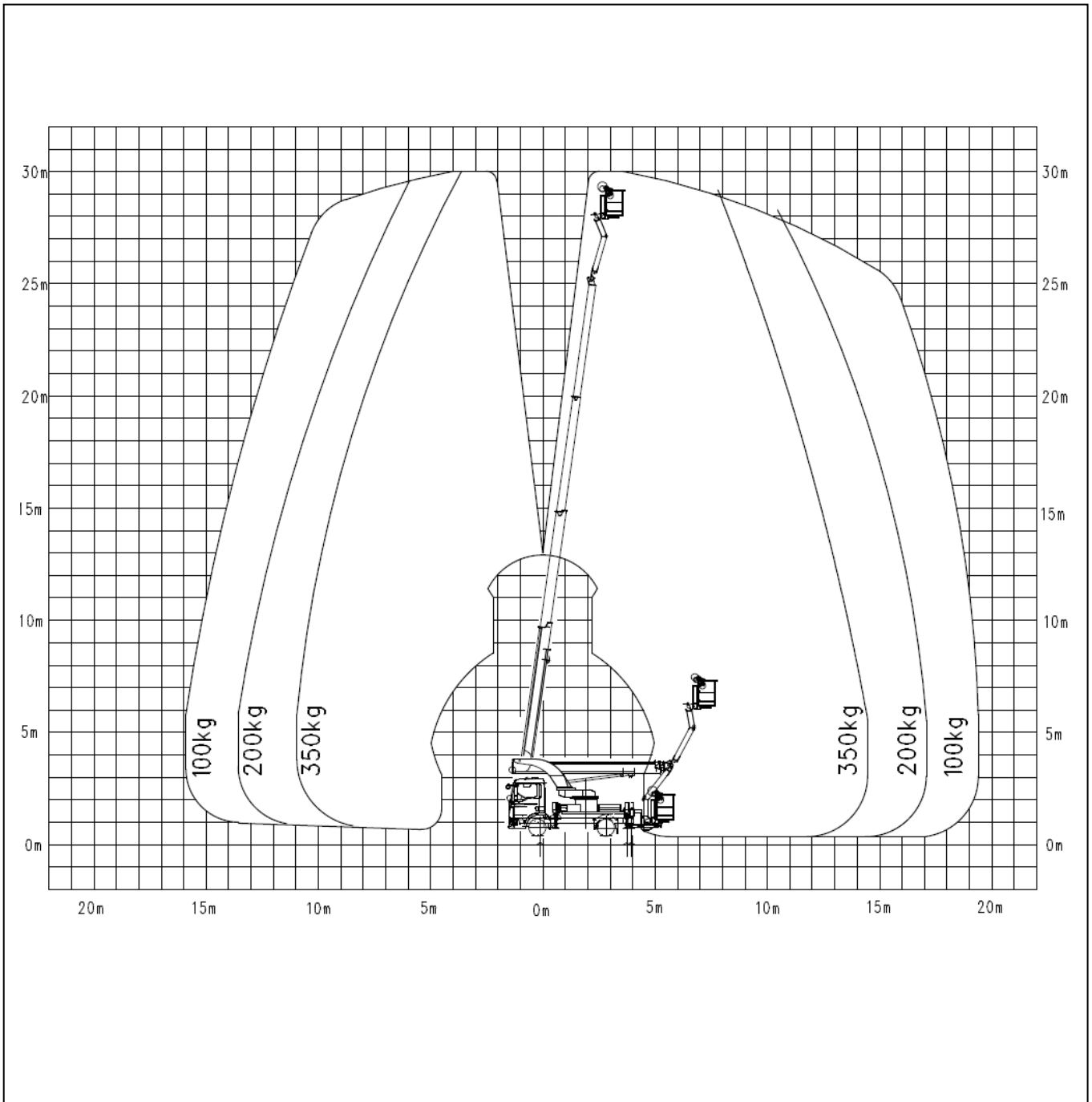


# Palfinger P 300KS

## Left view

Extension of stabiliser  
outrigger

Front left	100%
Front right	100%
Rear left	100%
Rear right	100%

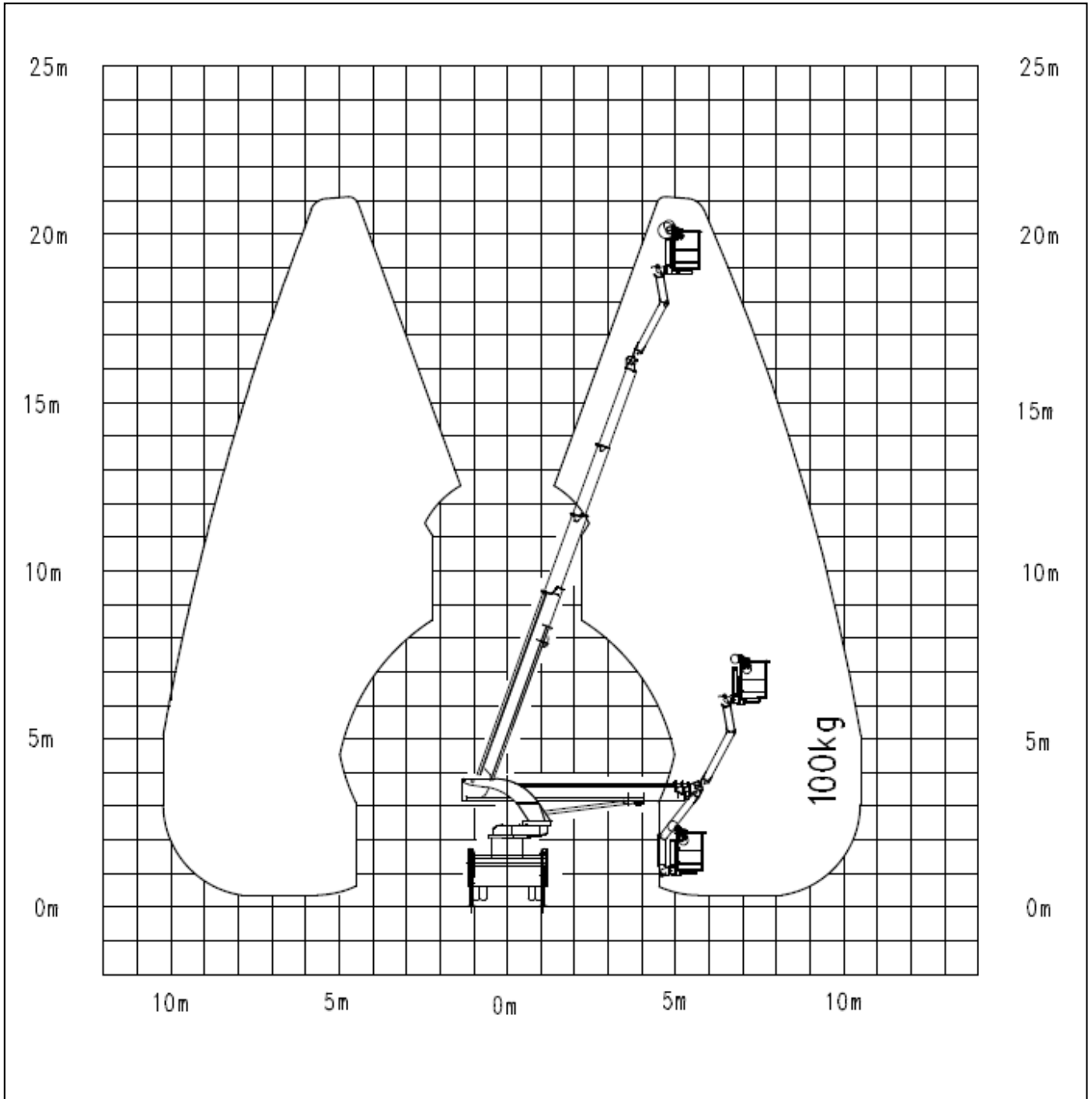


# Palfinger P 300KS

## Rear view

Extension of stabiliser  
outrigger

Front left	0%
Front right	0%
Rear left	0%
Rear right	0%



# Palfinger P 300KS

## Top view

Extension of stabiliser  
outrigger

Front left	0%
Front right	0%
Rear left	0%
Rear right	0%

