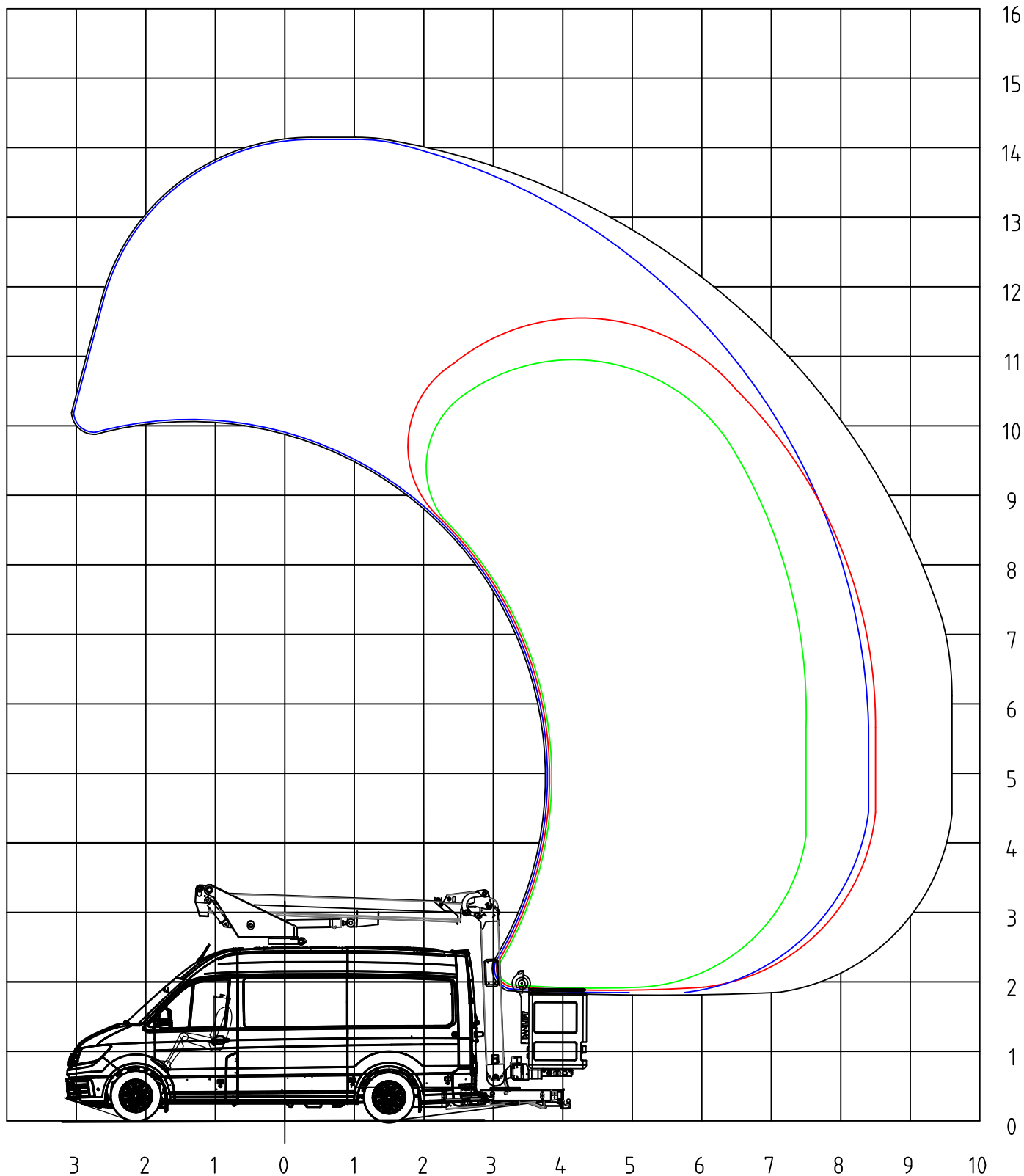


1 METER



WORKING WITH OUTRIGGERS, CAGE LOAD 100 KG

WORKING WITHOUT OUTRIGGERS, CAGE LOAD 100 KG

WORKING WITH OUTRIGGERS, CAGE LOAD 265 KG

WORKING WITHOUT OUTRIGGERS, CAGE LOAD 265 KG



PLATFORM: PALFINGER

TYPE: PD143V

EQUIPMENT:

----

DWG BY:

Henrik

DATE:

21.11.2018

REV:

21.11.2018

VEHICLE: MAN TGE

TYPE: 518

STABILAZER WIDTH:

----

DRAWING:

\\LIFT\DATA\LEV. & IGANGV\ERENDE LIFTE\DANILIFT WDT-J SERIE & PD-V SERIE\PD143V\31143101 DEOM (MAN TGE)\02 - TEKNISK SPECIFIKATIONER\DRAWING 31143101