

**MBB R 1500 L FLAT**

**THE FLAT RETRACTABLE  
LIFT WITH 1500 KG  
LIFTING CAPACITY**

**LIFETIME EXCELLENCE**



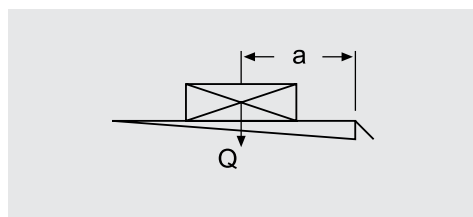
# MBB R 1500 L FLAT

## THE FLAT RETRACTABLE LIFT

### MBB R 1500 L FLAT

- Suitable for truck and trailer applications
- User-friendly, simple operation
- Safety gates optionally available for more safety
- Robust steel platform
- Toe protection optional
- Platform with foldable ramps to form a stop
- Patented „Easy move“ function available for simple operation

### LOAD DIAGRAM



MBB R 1500 L FLAT	
a (mm)	Q (kg)
600	1500
720	1250
900	1000
1200	750

### WEIGHT

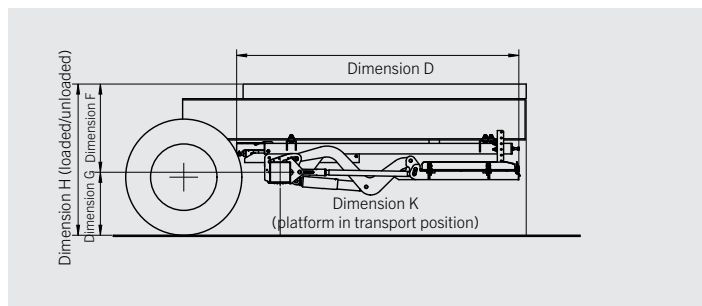
Platform type	Depth (mm)	Width (mm)	Weight (kg)
Steel	1200	2330	690

### TECHNICAL DATA

Lifting capacity	1500 kg
Main beam	180 x 180 mm
Lifting gear hydraulics	2 x lifting cylinders / 1 x moving cylinder
Lift arm pitch	2180 mm
Load centre - longitudinal	600 mm
Load centre - lateral	50 % of the full load on one side

### DIMENSIONS

Model	EXAMPLES: TRUCK TRAILER	
	900	1,000
Lift arms (in mm)		
H (max.) loading height unloaded	1,300	1,320
H (min.) loading height loaded	780	800
F (max.) middle of main beam to upper edge of loading floor	780	770
K (min.) at dimension F (max.)	360	414
D (min.) installation space behind rear wheel	2,074	2,176
F (min.)	480	450
K (max.) at dimension F (min.)	670	790
D (max.) installation space (max.)	2,399	2,464
G (max.) unloaded (middle of main beam to ground)	520	550
G (min.) loaded	330	410



**PALFINGER TAIL LIFTS GmbH**  
 Fockestraße 53  
 27777 Ganderkesee  
 Germany  
[www.palfinger.com](http://www.palfinger.com)

