

MBB C 2500 L

THE POWERFUL TAIL LIFT FOR YOUR DAILY TASKS

LIFETIME EXCELLENCE



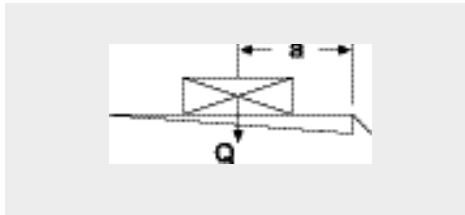
MBB C 2500 L

THE CANTILEVER LIFT

MBB 2500 L

- 2500 kg lifting capacity at 750 mm load centre
- Available with aluminium or steel platform
- Built to your individual requirements
- Optimum lifting capacity / stability ratio

LOAD DIAGRAM



C 2500 L	
a (mm)	Q (kg)
750	2500
900	2050
1100	1700
1600	1150
2400	750

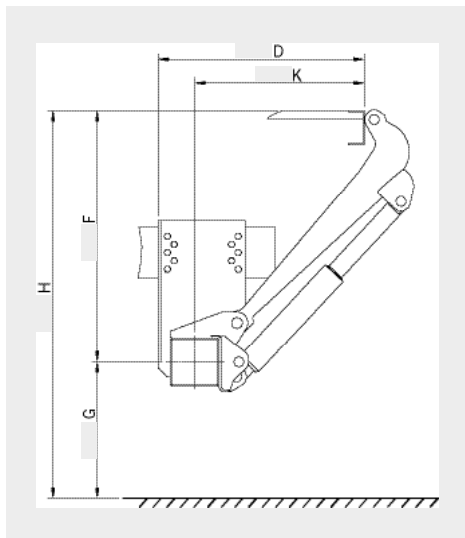
WEIGHTS

Platform type	depth (mm)	width (mm)	weight (kg)
Alu	1550	2500	513
	1700	2500	522
	1825	2500	530
	1950	2500	538
	2050	2500	545
	2200	2500	554
	2300	2500	561
	2400	2500	571
Steel	2650	2500	587
	1509	2400	630
	1809	2400	668
	2109	2400	706
	2409	2400	749

TECHNICAL DATA

	MBB C 2500 L
Lifting capacity	1000 kg
Main beam	180 x 180 mm
Lifting gear hydraulics	2 x lift cylinder 2 x tilt cylinder
Platform overlap with floor	- 63 mm
Lift arm pitch	1310 mm
Load centre - longitudinal	700 mm
Load centre - lateral	50 % of the full load on one side
Inclination angle of the platform	+90° bis - 10°

DIMENSIONS



Lift arms (in mm)	700	800	900	1000
H (max.) loading height unloaded	1160	1345	1444	1651
H (min.) loading height loaded	883	916	1006	950
F (max.) middle of main beam to upper edge of loading floor	650	785	820	977
K (min.) at dimension F (max.)	618	641	751	721
D (min.) installation space (min.)	768	791	901	871
F (min.)	508	566	614	569
K (max.) at dimension F (min.)	726	820	907	1040
D (max.) installation space (max.)	876	970	1057	1190



PALFINGER TAIL LIFTS GmbH
 Fockestraße 53
 27777 Ganderkesee / Germany
www.palfinger.com

