

ILUK

3300 | 4400 | 5500 | 6000 lbs. Capacity

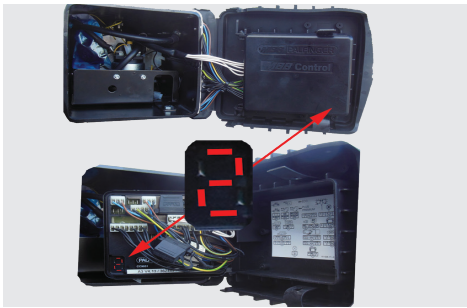
PALFINGER

LIFETIME EXCELLENCE

**OFFERS PLATFORM SIZE AND CAPACITY FOR
THE MOST DEMANDING APPLICATIONS**

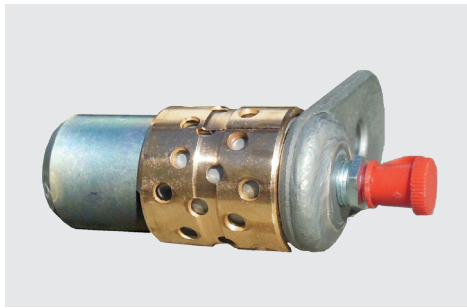


HIGHLIGHTS



SMART CONTROLS READY FOR TELEMATICS
 TO MAKE YOUR EQUIPMENT SMARTER

The Control System, now with built-in visible diagnostics, provides you the status of your lift and can assist you with quickly diagnosing low voltage as well as other problems. Other features include built-in cycle counting, and a re-settable service counter. It's ready for today's telematics technology to provide feedback to fleet management through your truck's CAN bus system. The PC board is now mounted in a sealed heavy duty hinged enclosure.



BUSHINGS AND GREASE ZERKS
 TO CUT DOWN ON COSTLY REPAIRS

The corrosion-protected hardened pins, together with perforated bushings, are able to load up with grease for minimized service intervals, all while going the distance. This is just a small sample of all of the details that go into the ILUK to make it an extremely low maintenance liftgate.



STANDARD AND SPECIAL APPLICATION
 PROVIDES MAXIMUM VERSATILITY

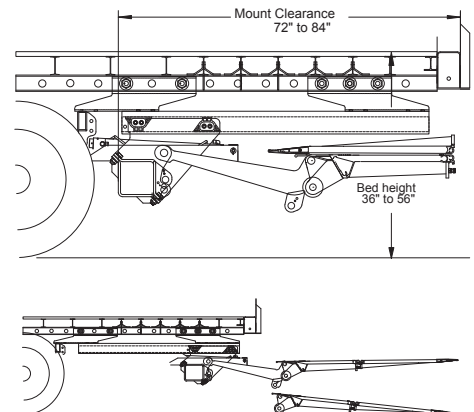
Small or large truck with needs for oversized platforms and lift capacity can often be up-fitted with an ILUK model which works with most roll up or swing door applications. The full line of this model makes it possible to fit on trucks that in the past only had compromised choices for liftgates. By the turn of a knob, the liftgate slides out from under the vehicle on low maintenance slide blocks. After unfolding the torsion assisted platform tip with minimal effort, the liftgate is ready for use.

STANDARD FEATURES

- » E-coat + powder top coat with 5 year corrosion warranty
- » True level ride with automatic ground tilt
- » Torsion assisted platform tip
- » Bushings and zerks at all pivot points
- » Platform Warning lights
- » Walk ramp ready
- » Cart stops
- » Foot controls on ILUK 44, 55, 60
- » Hydraulic cylinder locks
- » Dual post thermo protected motors
- » Lockable control box with on-off switch
- » Hand held remote control
- » Ground roller to protect soft loading pavement

OPTIONS

- » Auxiliary truck and trailer battery charge kits
- » Truck & Trailer quick mount kits
- » Trailer rapid mount bolt on kits
- » Trail charge systems
- » 50-250W Solar charge systems
- » Wireless remote controls
- » Removable side rails
- » Tire blow out protection plates



Model	Lifting Capacity (lbs.)	Platform Length (Inches)	Platform Width (Inches)	Bed Height (Inches)	Approx. Weight (lbs.)	Mount Clearance (Inches)
ILUK 33	3300	74	94	36-56	1220	76
ILUK 44	4400	74-82	94	36-56	1250-1320	72-84
ILUK 55	5500	74-82	94	36-56	1350-1390	72-84
ILUK 60	6000	82	94	38-58	1510	84

