

ILK

2200 | 3300 | 4400 | 5500 | 6600 lbs. Capacity

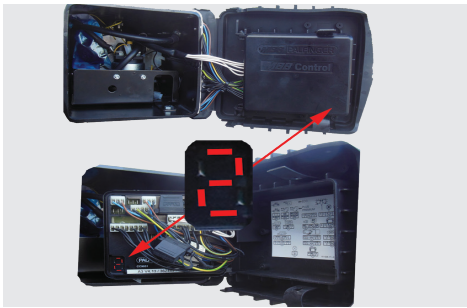
PALFINGER

LIFETIME EXCELLENCE

THE MOST VERSATILE CANTILEVER PROGRAM IN NORTH AMERICA

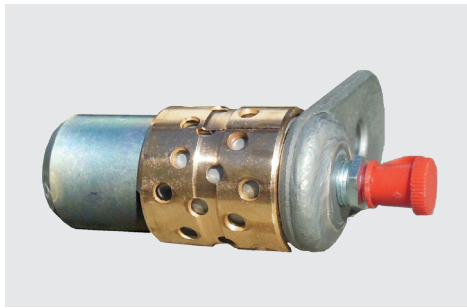


HIGHLIGHTS



SMART CONTROLS READY FOR TELEMATICS
 TO MAKE YOUR EQUIPMENT SMARTER

The Control System, now with built-in visible diagnostics, provides you the status of your lift and can assist you with quickly diagnosing low voltage as well as other problems. Other features include built-in cycle counting, and a re-settable service counter. It's ready for today's telematics technology to provide feedback to fleet management through your truck's CAN bus system. The PC board is now mounted in a sealed heavy duty hinged enclosure.



BUSHINGS AND GREASE ZERKS
 TO CUT DOWN ON COSTLY REPAIRS

The corrosion-protected hardened pins, together with perforated bushings, are able to load up with grease for minimized service intervals, all while going the distance. This is just a small sample of all of the details that go into the ILK to make it an extremely low maintenance liftgate.



FLEET OPERATOR SIMPLICITY & DURABILITY
 PROVIDE MAXIMUM VALUE

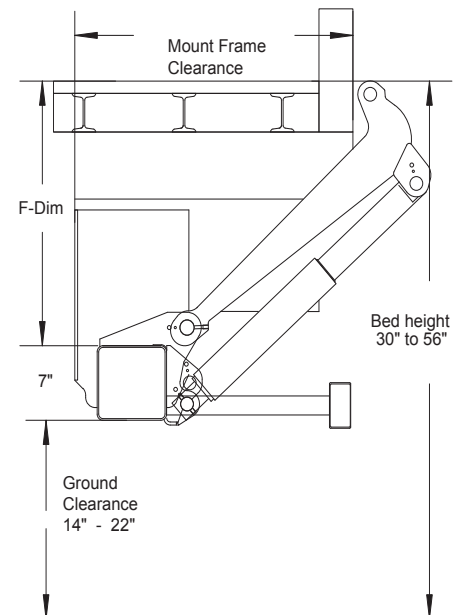
The e-coated steel components + powder coating on the frames provide excellent corrosion protection and finish. The lockable control box with a self closing lid protects the outside mounted switches from the elements as well. The ILK series is easy to combine with different hitch mounted solutions.

STANDARD FEATURES

- » E-coat + powder top coat with 5 year corrosion warranty
- » Pre-mounted fixed rear impact guard
- » True level ride with automatic ground tilt
- » Bushings and zerks at all pivot points
- » Platform Warning lights
- » Hydraulic cylinder locks
- » Dual post thermo protected motors
- » Lockable control box
- » Cab switch with open platform warning
- » Hand held remote control
- » Ground roller to protect soft loading pavement

OPTIONS

- » Aluminum platforms
- » Auxiliary truck and trailer battery charge kits
- » Full door seal kits
- » Flip-up door kits
- » Reinforced platforms
- » Cart stops
- » Foot controls
- » Trail charge systems
- » 50-250W Solar charge systems
- » Wireless remote controls
- » Removable side rails
- » Swing door bridge kits



Model	Lifting Capacity (lbs.)	Platform Length (Inches)	Platform Width (Inches)	Bed Height (Inches)	Approx. Weight (lbs.)	Mount Clearance (Inches)
ILK 22	2200	48, 60	94, 98	30 - 49	690	25 - 32
ILK 33	3300	48, 60, 72 & 84	94, 98	36 - 55.5	1220	25 - 36
ILK 44	4400	48, 60, 72 & 84	94, 98	36 - 55.5	1300	28 - 36
ILK 55	5500	48, 60, 72 & 84	94, 98	36 - 55.5	1400	28 - 36
ILK 66	6600	72 & 84	94, 98	40 - 60	1650	30 - 40

