

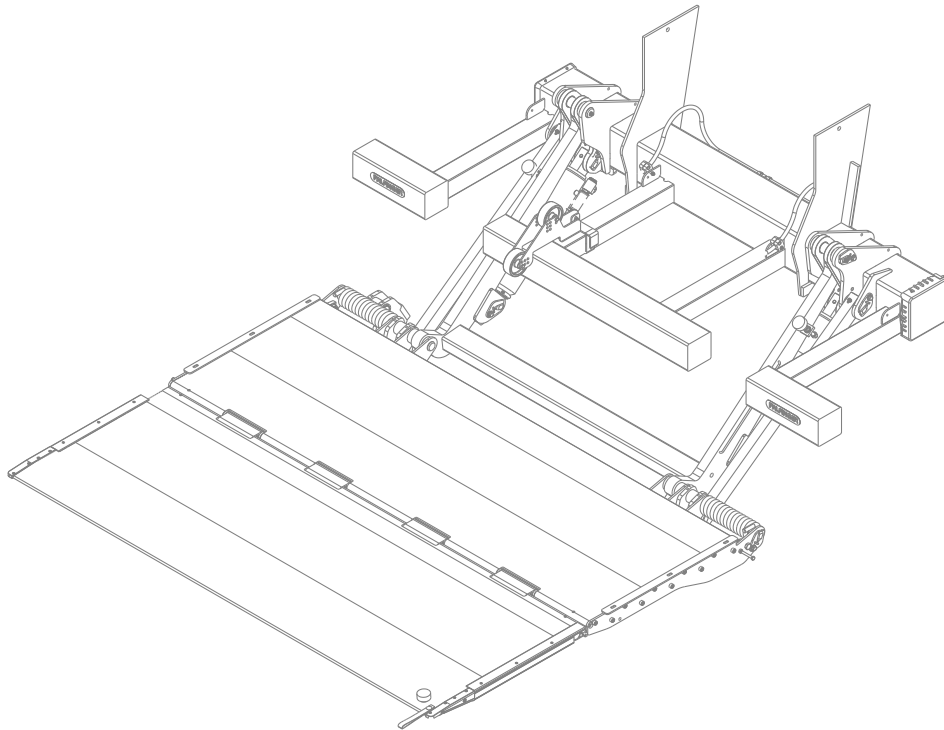
INTERLIFT

BY **PALFINGER**

PARTS MANUAL

PTF 50, 5000 lbs. Capacity

PTF 55, 5500 lbs. Capacity



PTF 50/55 Parts Manual
Document Part Number: 90-1021-102 / 21-681_90-00_01-02
ECN-M1723, Rev. 1.1, 12-13-23
Copyright © 2023 Palfinger Interlift, LLC.
All rights reserved.

Information in this document is subject to change without notice.
Visit www.palfinger.com for up to date information and notifications.

If you received this product with damaged or missing parts,
contact INTERLIFT Liftgates at (888)-774-5844

Parts Order/Inquiries
liftgateparts@palfinger.com

Technical Support
technicalapplications@palfinger.com



15939 Piuma Ave.
Cerritos, CA 90703
Tel (888) 774-5844
Fax (562) 924-8318



572 Whitehead Road.
Trenton, NJ 08619
Tel (609) 587-4200
Fax (609) 587-4201

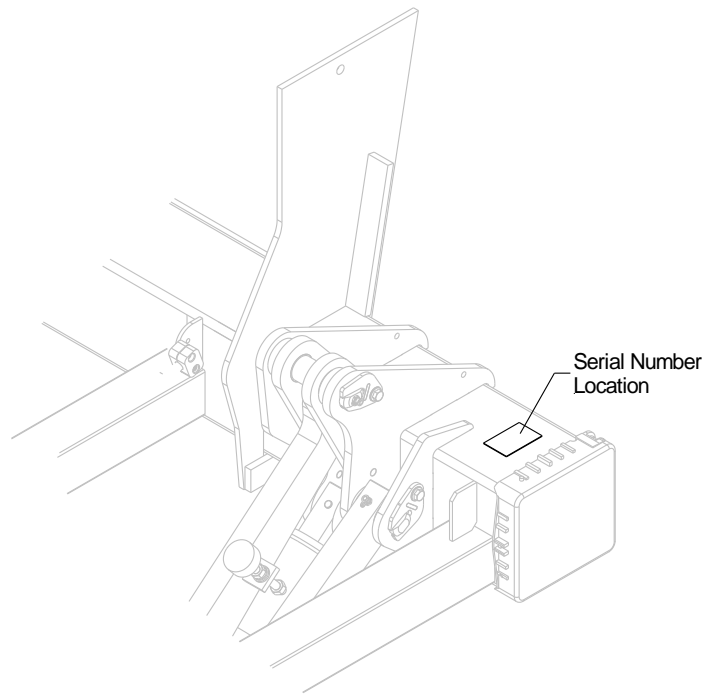
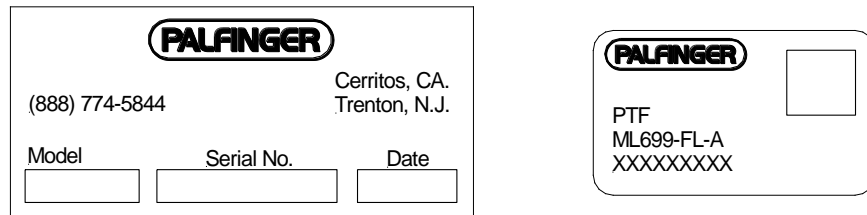
Parts Orders:

- There is a \$50.00 minimum parts order.
- Ground freight is free for spare parts orders exceeding \$1,500.00, excluding platforms, runners, mount frames and other main assemblies.
- Contact parts department, our hours are from 8 am EST in NJ until 5 pm PST in CA
California: (888) 774-5844, or (562)924-8218, ext. 97, 29 , or 15; Fax: (562) 924-8318.
New Jersey: at (609) 587-4200; Fax: (609) 587-4201.
E-mail orders or inquiries for both locations to: liftgateparts@palfinger.com
- Next Day Air shipments must be received by 2:30 pm local time at either location.
- To ensure quick delivery when placing an order, please be sure to include: liftgate model, serial number, part number, and description in accordance with spare Parts List.
- Any parts being returned must have Return Merchandise Authorization (RMA) number, copy of invoice and a detailed packing list of returned parts. RMA numbers will be issued by parts department and are valid for 30 days. All returned RMA parts must be returned to INTERLIFT Liftgates by prepaid freight or by call tag.
- Parts must be returned in NEW CONDITION. To receive credit on returned parts, the original purchase date must be within 6 month and authorized by INTERLIFT Liftgates.
- Returned parts are subject to a 20% restocking charge.
- Any part recieved not in new condition will be subject to inspection and possible refusal. All INTERLIFT Liftgates parts are covered for one year from date of purchase against defects in material and workmanship.
- **Warranty Coverage: part replacement only**

Important Liftgate Information:

1. Liftgate serial information can be found on the left (street side) side of the mount tube as shown below. Please have the liftgate information ready when ordering parts to assure parts are replaced accurately.

Serial Number Tags



2. Mount frame, mount plates, liftarms, and parallel arms are available in galvanize finish only. Mount plates are pre-welded from manufacturer.

Table of Contents

1 **3/4 Gate 6**

2 **1/2 Gate 7**

3 **Pins..... 9**

4 **Lift Cylinder 10**

5 **Aluminum Platform..... 11**

6 **Cart Stop 13**

7 **Hydraulic Power Unit..... 14**

8 **Hydraulic Hoses – Power Down 15**

9 **Bed Extension..... 16**

10 **Dock Bumpers 17**

11 **Dock Bumper – Rubber Bumpers..... 18**

12 **Dock Bumper - Light Kits..... 19**

13 **Dock Bumper - Steps 21**

14 **Walk Ramp 22**

15 **Battery Box Kits..... 26**

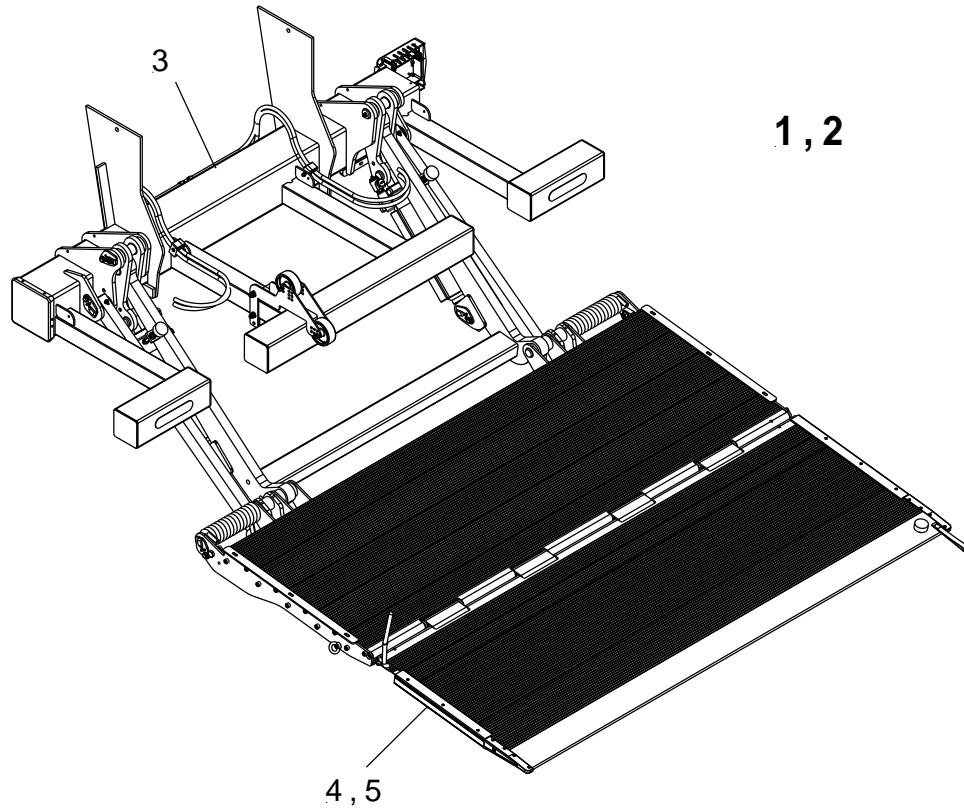
16 **Electrical 28**

17 **Trailer/Truck Charge Kits 29**

18 **Controls..... 31**

19 **Decals..... 33**

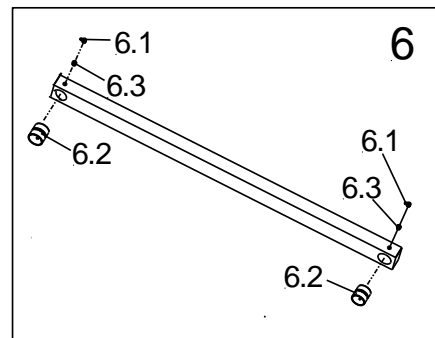
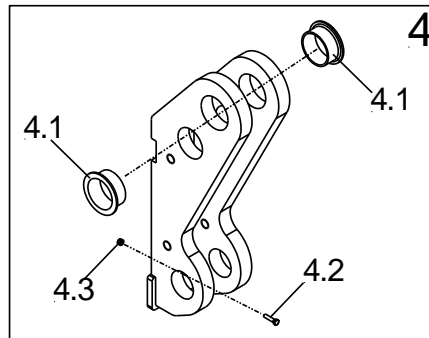
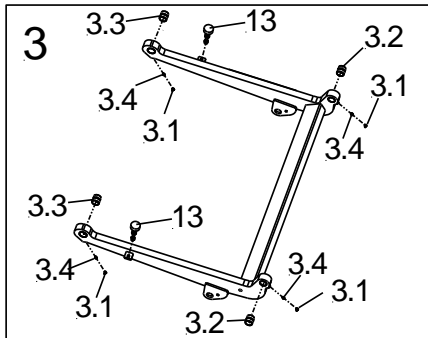
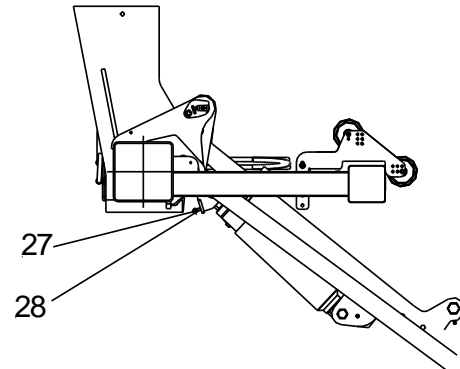
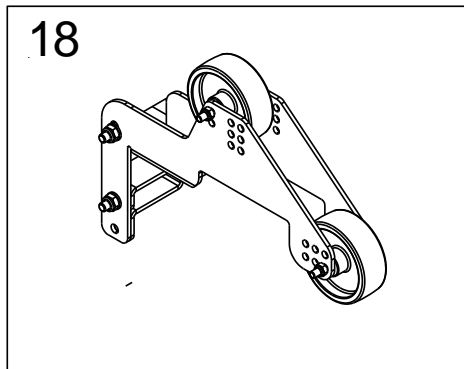
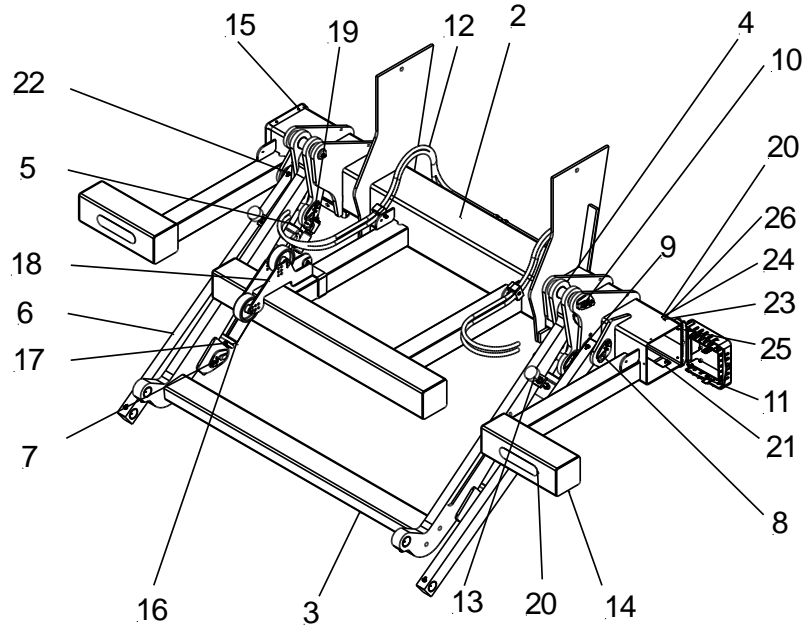
1 **3/4 Gate**



1 – 3/4 Gate			
No.	Description	Part No.	Qty.
1	PTF55 3/4 Gate; Platform with Cart Stop	00-1022-010	1
2	PTF55 3/4 Gate; Platform with no Cart Stop	00-1022-020	1
3.	PTF55 1/2 Gate	2065883	1
4	Platform Assy, 62x86, Alum, With Cart Stop	2058682	1
5	Platform Assy, 62x86, Alum, No Cart Stop	2066021	1

2 1/2 Gate

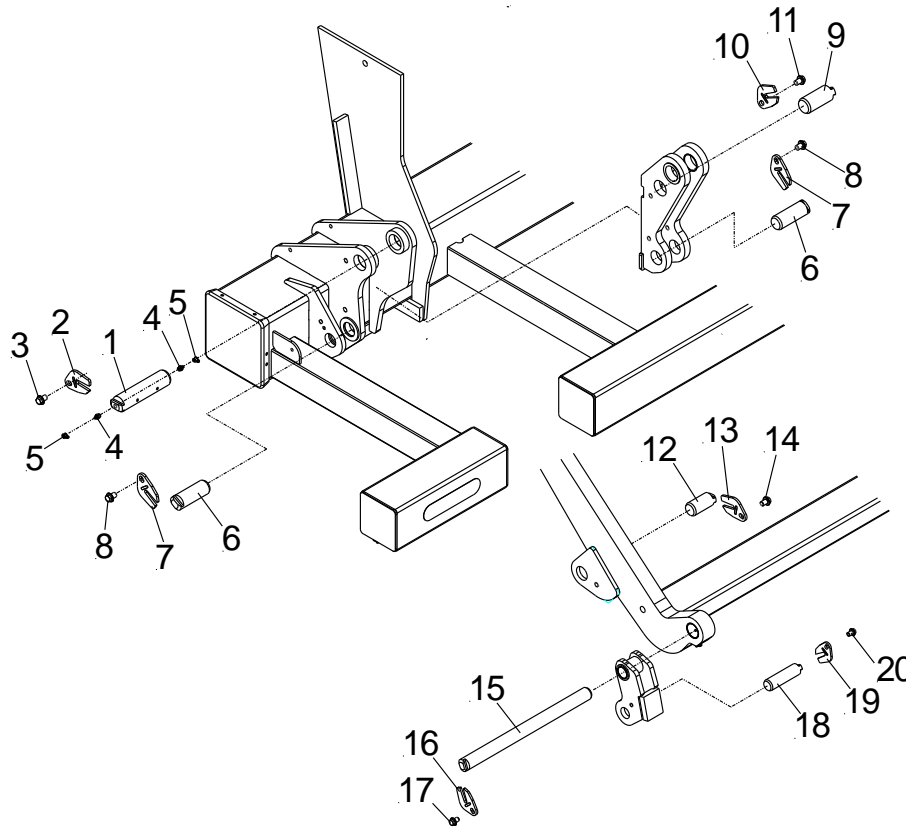
1



Palfinger Interlift, LLC.
 15939 Piuma Ave, Cerritos, CA 90703
 Tel: (888) 774-5844, Fax: (562) 924-8318

Palfinger Interlift, LLC.
 572 Whitehead Road, Trenton, NJ 08619
 Tel: (609) 587-4200, Fax: (609) 587-4201

2 – Half Gate			
No.	Description	Part No.	Qty.
1	PTF55 1/2 Gate	2065883	1
2	Frame US, w DOT and MPs, PTF55	2058541	1
3	Lift Arm Assembly 1020mm, PTF55	2058527	1
3.1	Cap, Red, Grease Zerk	1191680	4
3.2	Bushing, 36MM	1403363	2
3.3	Bushing, 40MM	1403362	2
3.4	Zerk Fitting, M10x1mm	EA-005	4
4	Swing Arm, Assy, PTF55	2058533	2
4.1	Bushing, with Flange, 36mm	2046542	4
4.2	Hex Head Cap Screw, M8x35, DIN 985	66124959	2
4.3	Nut, M8, DIN 933	67243366	2
5	Cylinder, PD, PTF55	2061620	2
6	Parallel Arm Assy, PTF55	2058621	2
6.1	Cap, Red, Grease Zerk	1191680	2
6.2	Bushing, 36mm ID x 40mm OD x 41mm L, Bronze	1403363	2
6.3	Zerk Fitting, M10x1mm	EA-005	2
7	Pin Assy, 36x80mm, SS	2040595	2
8	Pin Sub Assy 36x104mm	2039103	4
9	Pin Assy, 40x94mm, SS	2039112	2
10	Pin Assy, 40x170mm, SS	2046294	2
11	Tube Cover	2029909	1
12	Hyd. Hose Assy, PD, PTF55	2065801	1
13	Platform rubber Stops	1128624	2
14	Plug, PVC, 120x120X5mm	2045439	6
15	Rubber Cover, MBB Logo 7	68483018	1
16	Cylinder Rubber Cover, PTF55	2058772	2
17	Clamp, Hose A50-70	68430828	2
18	Parting Wheel Assy	2015073	1
19	Solenoid Valve, 12V	2054424	2
20	Hexagon Nut M8	60820511	2
21	Power Unit, PD, PTF55, Bucher M-3441-0108	50-1412-950	1
22	Washer, Plastic, 36mmx60x4; ALUPF	2020770	6
23	Washer, DIN12788 for M8 D14,5xDB,5x2	71307794	2
24	Washer, M8, DIN125-A	61934090	2
25	Bolt, DIN 7500, M6x16mm	2050030	2
26	Hexagon Screw M8x20mm, DiN 933	67234898	2
27	Hexagon Screw M8x35mm, DIN 933	66124959	2
28	Nylock Nut M8	67243366	2

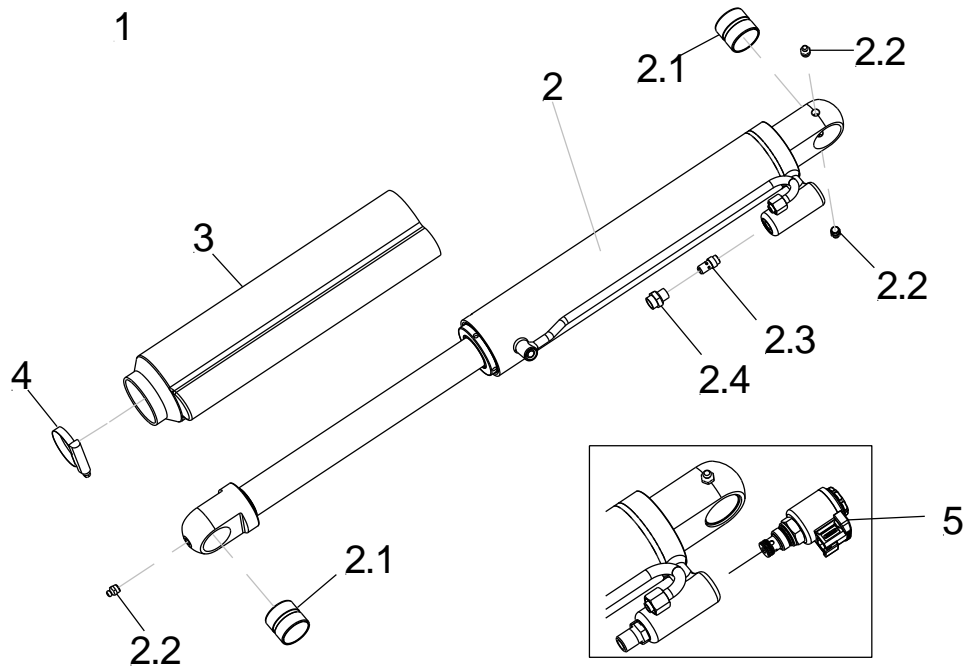
3 Pins

3 – Pins			
No.	Description	Part No.	Qty.
1	Pin, ϕ 40mmX170mm, Grease Zerk, SS	2046293	2
2	Pin Plate, Large	2027558	2
3	Pin Plate Bolt, M12X16mm	2039050	2
4	Grease Zerk, M10X1x15mm	EA-005	2
5	Cap, Grease Zerk, Plastic, Red	1191680	2
6	Pin, ϕ 36mmX104mm, SS	2039100	2
7	Pin Plate, Large	2027558	2
8	Pin Plate Bolt, M12X16mm	2039050	2
9	Pin, ϕ 40mmX94mm, SS	2039108	2
10	Pin Plate, Large	2027558	2
11	Pin Plate Bolt, M12X16mm	2039050	2
12	Pin, ϕ 36mmX80mm, SS	2040594	2
13	Pin Plate, Large	2027558	2
14	Pin Plate Bolt, M12X16mm	2039050	2
15	Pin, ϕ 36mmX490mm, SS	2044888	2
16	Pin Plate, Large	2027558	2
17	Pin Plate Bolt, M12X16mm	2039050	2
18	Pin, ϕ 36mmX135mm, SS	2039101	2
19	Pin Plate, Large	2027558	2
20	Pin Plate Bolt, M12X16mm	2039050	2

Palfinger Interlift, LLC.
 15939 Piuma Ave, Cerritos, CA 90703
 Tel: (888) 774-5844, Fax: (562) 924-8318

Palfinger Interlift, LLC.
 572 Whitehead Road, Trenton, NJ 08619
 Tel: (609) 587-4200, Fax: (609) 587-4201

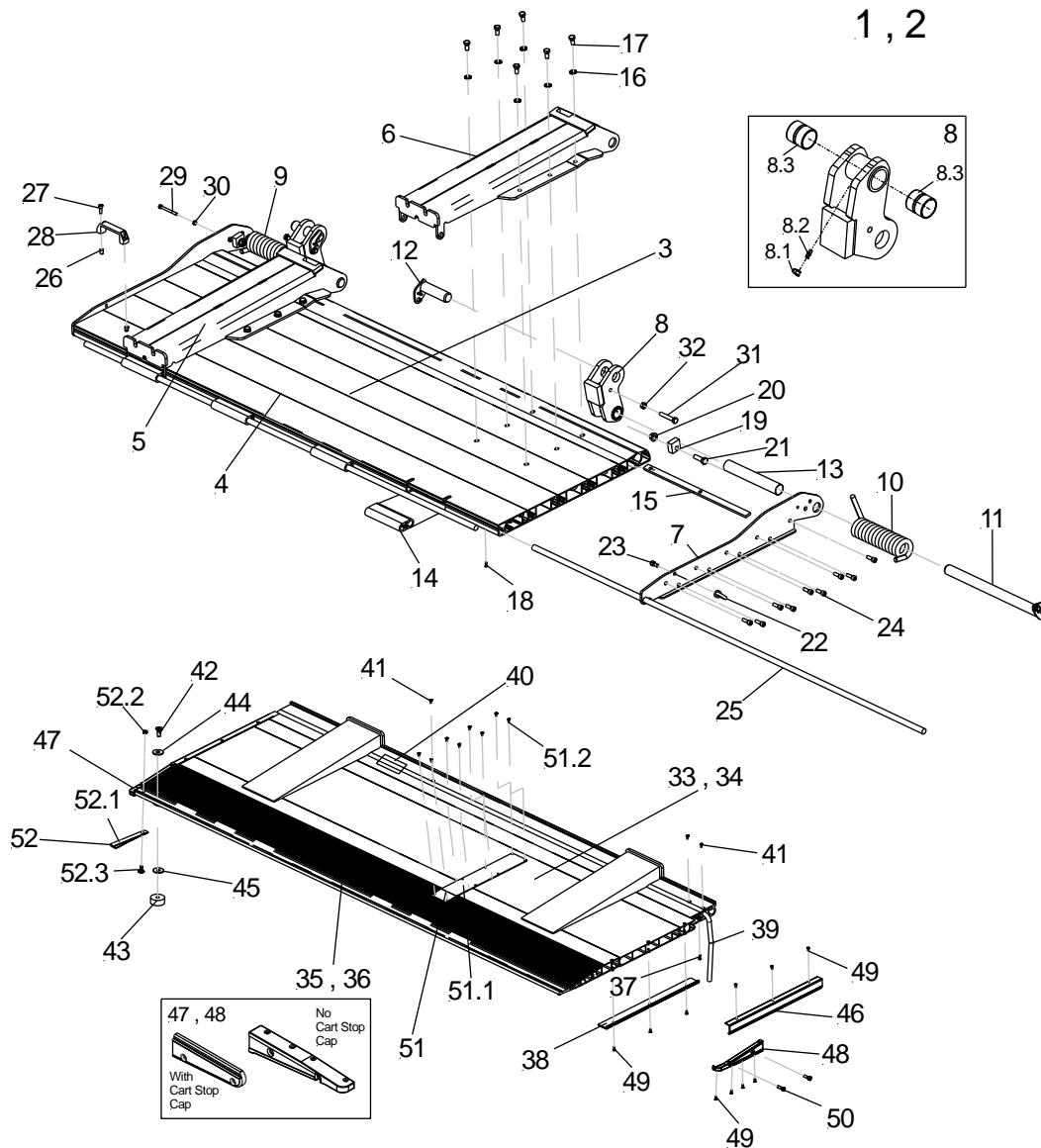
4 Lift Cylinder



4 – Lift Cylinder			
No.	Description	Part No.	Qty.
1	Lift Cylinder Kit	40-1022-200	1
2	Lift Cylinder Assembly	2061620	1
2.1	Bronze Bushing 36x40x36	1403366	2
2.2	Grease Zerk, M10X1mm	EA-005	3
2.3	Restrictor, 1.5MM (NO.3) 3l/min	1355942	1
2.4	Adapter, 1/4" BSP X 10L – 4L/Min	EA6236	1
3	Cylinder Rubber Cover	2058772	1
4	Hose Clamp A50-70mm	68430828	1
5*	Release Valve, 12V, Single Lock	2054424	1

* Release Valve is sold separately.

5 Aluminum Platform



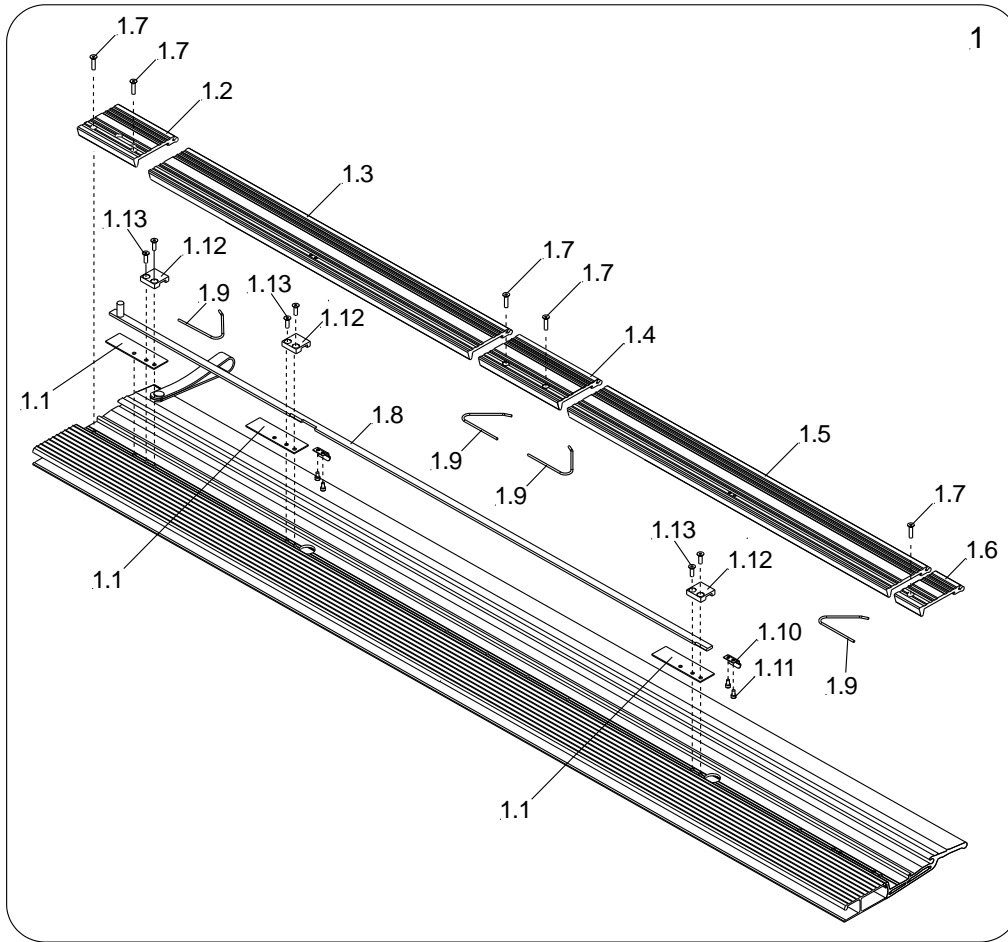
5 - Aluminum Platform			
No.	Description	Part No.	Qty.
1	Platform Assy, 62x86, Alum, With Cart Stop	2058682	1
2	Platform Assy, 62x86, Alum, No Cart Stop	2066021	1
3	Platform Main Assembly, Alum, PTF	2058687	1
4	Profile, Alum, Platform, Main, PTF55	2058673	1
5	Tunnel Weld, Right, Platform, Main, PTF55	2058673	1
6	Tunnel Weld, Left, Platform, Main, PTF55	2058674	1
7	Side Bar Assembly, Platform, Main, PTF55	2058675	2

Palfinger Interlift, LLC.
 15939 Piuma Ave, Cerritos, CA 90703
 Tel: (888) 774-5844, Fax: (562) 924-8318

Palfinger Interlift, LLC.
 572 Whitehead Road, Trenton, NJ 08619
 Tel: (609) 587-4200, Fax: (609) 587-4201

8	Shackle Assembly, PTF55	2058676	2
8.1	Cap, Red, Grease Zerk	1191680	1
8.2	Zerk Fitting, M10x1	69064337	1
8.3	Bushing, 28mm ID X 32mm OD X 31mm, Bronze	1403363	2
9	Platform Spring, Right	2014616	1
10	Platform Spring, Left	2014617	1
11	Pin Assembly, 36x490MM, SS	2044890	1
12	Pin Assembly, 36x135MM, SS	2039104	1
13	Pipe; PVC; Platform Springs	2067244	2
14	Hinge, Alum	2053256	4
15	Nut Bar, Platform, Main, PTF55	2052550	6
16	Washer, Flat M13	66527476	12
17	Hexagon Screw M12x25	66125912	12
18	Countersunk Screw M5x16 d10.9	2035408	2
19	Block, Platform	2067245	2
20	Nut, M14-1.5, Flanged, Zinc	2016071	2
21	Hexagon Screw M14x1, 5x45	1296537	2
22	Nut, Eye Nut, M10 Thread	2004522	1
23	Cylinder Screw M10x20	61778667	1
24	Cylinder Screw M10x30	61778748	20
25	Shaft	9831721965	2
26	Rivet, M8	2015595	2
27	Bolt, Inbus, M8x250MM	1007469	2
28	Handle Plastic	2020532	1
29	M8x80 Hex Head Bolt	66108465	1
30	Hexagon Nut M8	60820511	2
31	Hexagon Screw M12x70	66129039	2
32	Nut 6KT M12	2029747	2
33	Platform Tip Assembly, Cart Stop, Aluminum, PTF	2058689	1
34	Platform Tip Assembly, No Cart Stop, Aluminum, PTF	2066022	1
35	Profile, Alum, Tip, Cart Stop, PTF55	2058690	1
	Profile, Alum, Tip, no Cart Stop, PTF55	2066023	1
36	Section Tip w Cart Stop Assembly, 2x800mm	2051515	1
37	Countersunk Screw, M5x16	2035408	2
38	Cap, Side Top Flat, 71"	1244631	1
39	Tosion Bar, Alu Platform	9083175070	1
40	Block, Torsion Bar, Alu Platform	9083177000	1
41	Blind Rivet, 4, 8x11MM	1019254	3
42	Hexagon Screw M12x25	66125912	1
43	Threaded Rubber Cap	71042936	1
44	Washer, Flat M13	66527476	1
45	Washer, Flat M13, 37MM	67245237	1
46	Cap, Side Bottom ANG, 67, ALP	9832521700	1
47	Cap Right, with Cart Stop	9083239000	1
	Cap Right, no Cart Stop	9081336000	1
48	Cap Left, with Cart Stop	9083238000	1
	Cap, Left, no Cart Stop	9081336010	1
49	Screw, Countersink, M5x12MM	2004486	20
50	Screw, Thred Forming M5x16	1400172	4
51	Reinforcement Plate Kit	22-7517-005	1
51.1	Plate, Wheel Assembly, Reinforcement 54"-60"	22-7517-003	1
51.2	BHCS #10-16x.625" Zinc, Self Tapping	ES3971	8
52	Handle Strap Kit	60-9011-001	1
52.1	Handle Strap	20-1210-003	1
52.2	Nut, Nylock, Jam, 5/16-18 Gr. 2, Zinc	EM 850	1
52.3	Bolt, Carriage 5/16-18 X 0.75" Gr. 5, Zinc	ES3992	1

6 **Cart Stop**

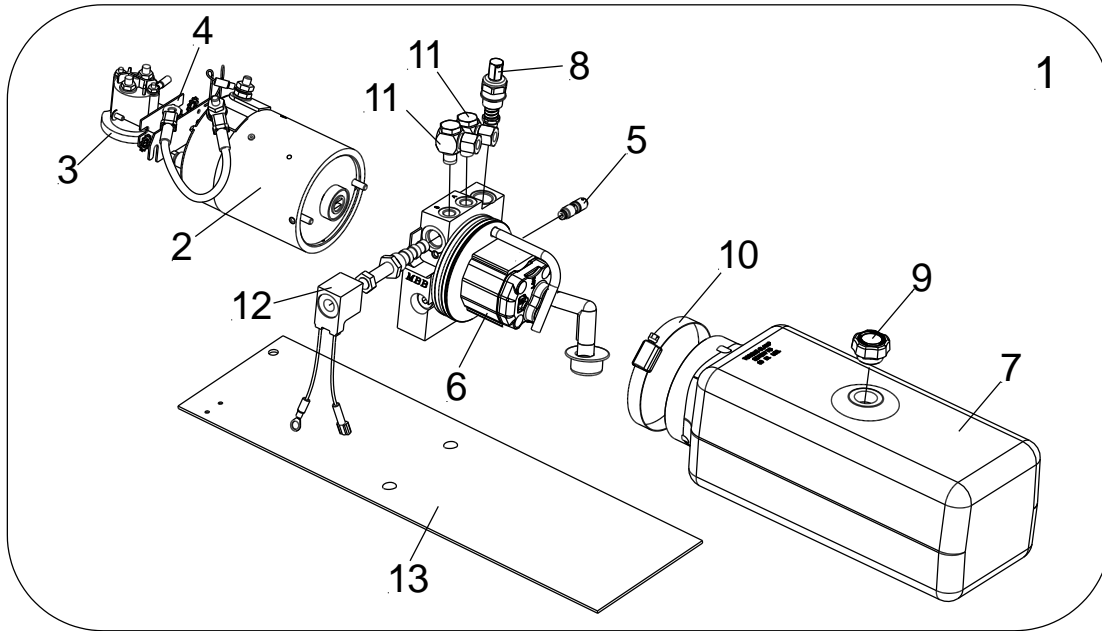


6 – Cart Stop			
No.	Description	Part No.	Qty.
1	Section Tip w Cart Stop Assembly, 2x 800mm	2051515	1
1.1	Pad, Delrin, 35mm X 120mm X 2mm	1406245	3
1.2	Plate Cover, Curb Side	2003301	1
1.3	Cart Stop, 800mm, Curb Side	2006698	1
1.4	Plate Cover, Center	2003302	1
1.5	Cart Stop, 800mm, Street Side	2006697	1
1.6	Plate Cover, Street Side	2003303	1
1.7	Socket Head Cap Screw, M6-1.0 X 30mm	1057441	5
1.8	Sliding Rail	1406248	1
1.9	Spring Rod	1408661	4
1.10	Clip	1406249	2
1.11	Socket Head Cap Screw, M5-0.80 X 8mm	1119357	4
1.12	C-Clip, Plastic	2004637	1
1.13	Socket Head Cap Screw, M6-1.0 X 20mm	1004726	6

Palfinger Interlift, LLC.
 15939 Piuma Ave, Cerritos, CA 90703
 Tel: (888) 774-5844, Fax: (562) 924-8318

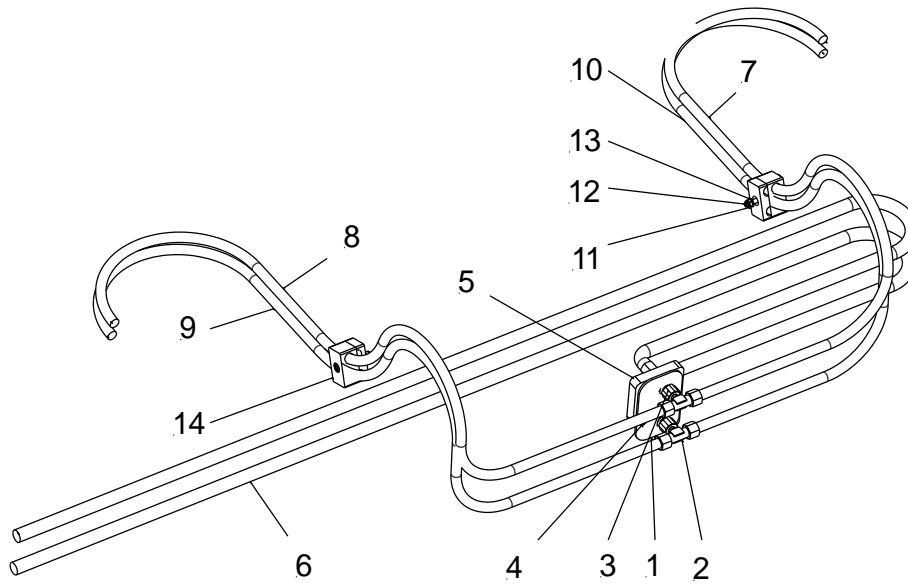
Palfinger Interlift, LLC.
 572 Whitehead Road, Trenton, NJ 08619
 Tel: (609) 587-4200, Fax: (609) 587-4201

7 Hydraulic Power Unit



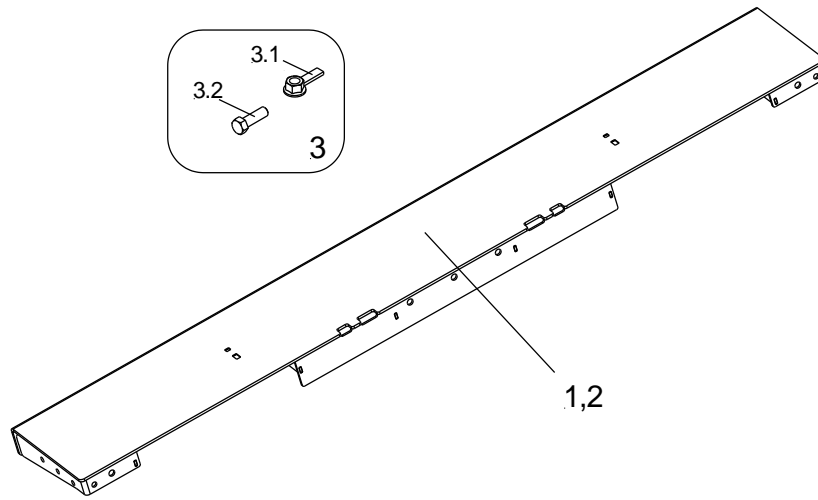
7- Hydraulic Power Unit			
No.	Description	Part No.	Qty.
1	Power Unit, PD, PTF55, Bucher M-3441-0108	50-1412-950	1
2	Motor 12 Volt	80-1411-101	1
3	Motor Solenoid	80-1411-102	1
4	Brackets For Solenoid	50-0313-956	1
5	Check Valve Pilot	50-0313-952	1
6	Pump	80-1411-917	1
7	Oil Reservoir (Plastic)	50-0313-958	1
8	Relief Valve	50-0313-953	1
9	Breather Cap	50-0709-914	1
10	Clamp For Oil Reservoir	50-0313-954	1
11	Fitting, 90° Elbow, Power Down	50-0313-955	2
12	Valve Cartridge	80-1411-920	1
13	Tray, Power Pack	50-7521-004	1

8 Hydraulic Hoses – Power Down



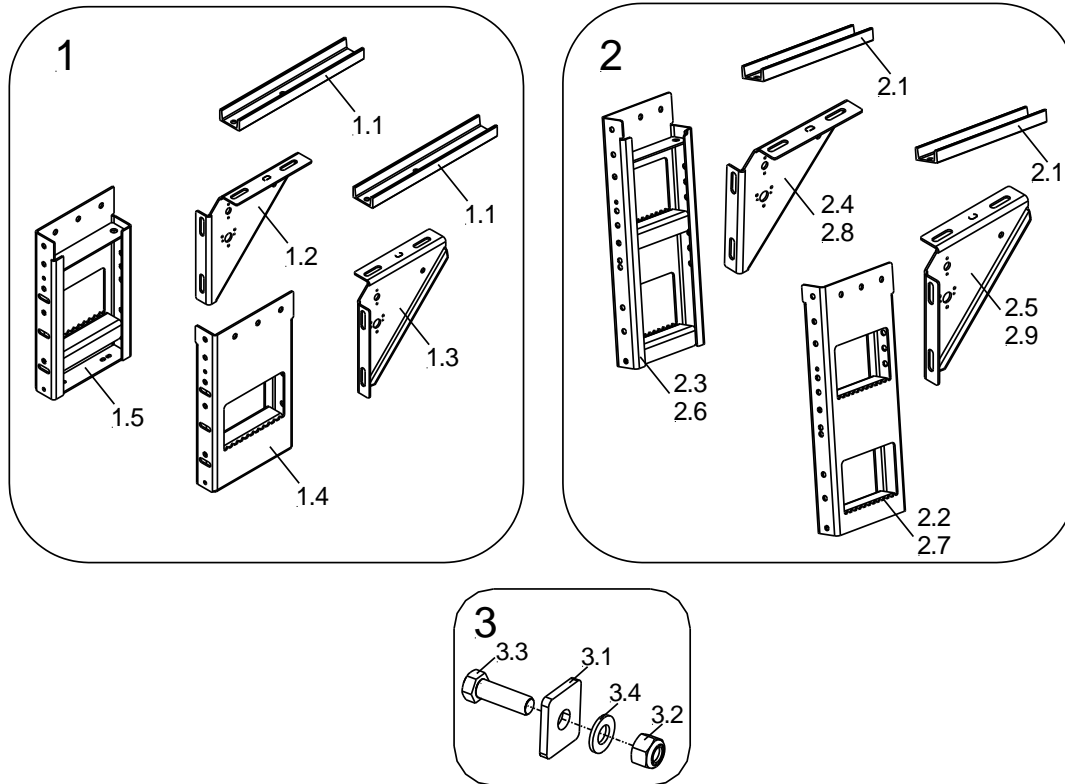
8- Hydraulic Hoses – Power Down			
No.	Description	Part No.	Qty.
1	Bolt Plate	2012920	1
2	Hydraulic T-Fitting	1232239	2
3	Bulk Head Fitting, 10L, Male to Male	1111057	2
4	Cap Head Screw, M6x30mm, DIN7500	2050031	2
5	Rubber Element	1114049	1
6	Hose 2000LG "A" W/ T-Fitting	2004473	2
7	High-pressure Hose 1200mm lg	2020610	1
8	High-pressure Hose 1200mm lg	2020610	1
9	High-pressure Hose 1200mm lg	2020610	1
10	High-pressure Hose 1200mm lg	2020610	1
11	Nut, Nylock, M6	1000526	2
12	Socket Head Cap Screw, M6x50 DIN912	1058108	2
13	Washer 6, 4mm	1028691	4
14	Hydraulic Hose Bracket, Dual Line	1406960	3

9 Bed Extension



9 - Bed Extensions			
No.	Description	Part No.	Qty.
1	Bed Ext 102x16x 5/16, Weldment, 102" W	60-1021-100	1
2	Bed Ext 96x16x 5/16, Weldment, 96"W	60-1021-300	1
3	Hardware Kit, Bed Extension, Bolt-On	65-1012-220	1
3.1	Nut, w/Stop Arm, 9/16"-18, Zinc	65-1012-012	19
3.2	Hex Head Cap Screw, 9/16"-18 X 1.75", Gr.8, Zinc	ES3444	19

10 Dock Bumpers

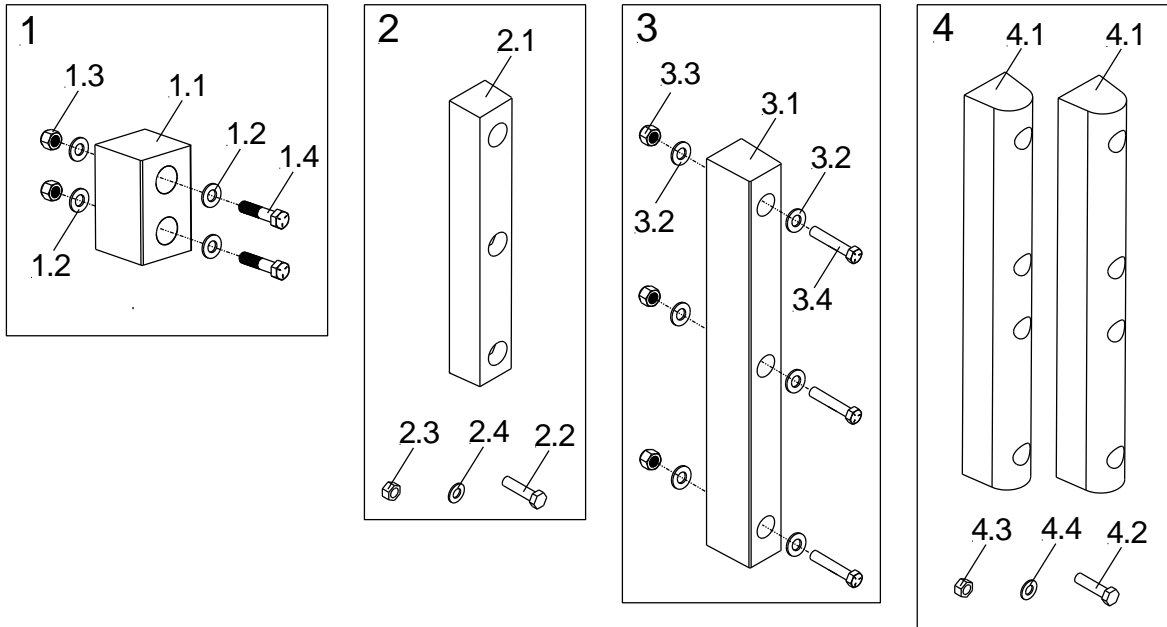


10- Dock Bumpers			
No.	Description	Part No.	Qty.
1	Dock Bumper Kit, 21", Weld-On, Heavy Duty (3/16")	60-7515-013	1
	Dock Bumper Kit, 21", Bolt-On, Heavy Duty (3/16") W/Hardware	65-7515-007	1
1.1	3" Channel	60-1013-032	2
1.2	Strut Brace, 3/16", Street Side	65-7514-008	1
1.3	Strut Brace, 3/16", Curb Side	65-7514-009	1
1.4	Dock Bumper, 12" X 21" X 3/16", Curb Side	65-7515-000	1
1.5	Dock Bumper, 12" X 21" X 3/16", Street Side	65-7515-003	1
2	Dock Bumper Kit, 28", Weld-On, Heavy Duty (3/16")	65-7514-001	1
	Dock Bumper Kit, 28", Bolt-On, Heavy Duty (3/16") w/Hardware	65-7514-000	1
	Dock Bumper Kit, 28", Weld-On, Extra Heavy Duty (1/4")	65-1013-011	1
	Dock Bumper Kit, 28", Bolt-On, Extra Heavy Duty (1/4") w/Hardware	65-1013-010	1
2.1	Channel, 3"	60-1013-032	2
2.2	Dock Bumper, 12" X 28" X 3/16", Curb Side	65-7514-002	1
2.3	Dock Bumper, 12" X 28" X 3/16", Street Side	65-7514-003	1
2.4	Strut Brace, 3/16", Street Side	65-7514-008	1
2.5	Strut Brace, 3/16", Curb Side	65-7514-009	1
2.6	Dock Bumper, 12" X 28" X 1/4", Street Side	60-1013-010	1
2.7	Dock Bumper, 12" X 28" X 1/4", Curb Side	60-1013-020	1
2.8	Strut Brace, 1/4", Street Side	60-1013-030	1
2.9	Strut Brace, 1/4", Curb Side	60-1013-031	1
3	Dock Bumper Hardware Kit	65-1013-012	1
3.1	Square Washer, 9/16"	60-1013-050	8
3.2	Nut, Nylockm 9/16-12 Gr. 8 Zinc	EM 862	16
3.3	Hex Head Cap Screw, 9/16-12 x 1.75 Gr. 5 Zinc	ES4003	16
3.4	Washer, Flat 9/16 Yellow Zinc SAE Hard	EK3280	16

Palfinger Interlift, LLC.
 15939 Piuma Ave, Cerritos, CA 90703
 Tel: (888) 774-5844, Fax: (562) 924-8318

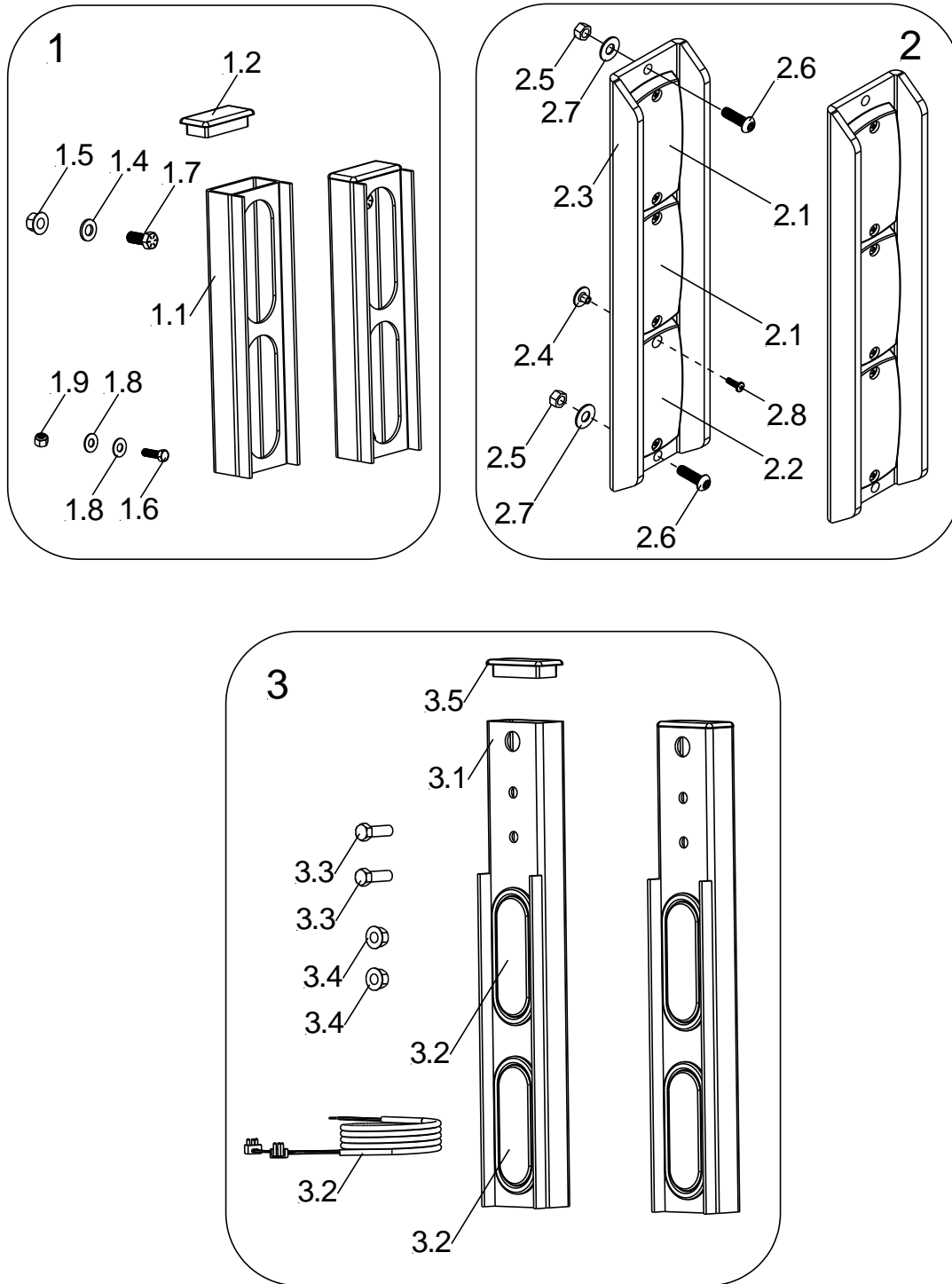
Palfinger Interlift, LLC.
 572 Whitehead Road, Trenton, NJ 08619
 Tel: (609) 587-4200, Fax: (609) 587-4201

11 Dock Bumper – Rubber Bumpers



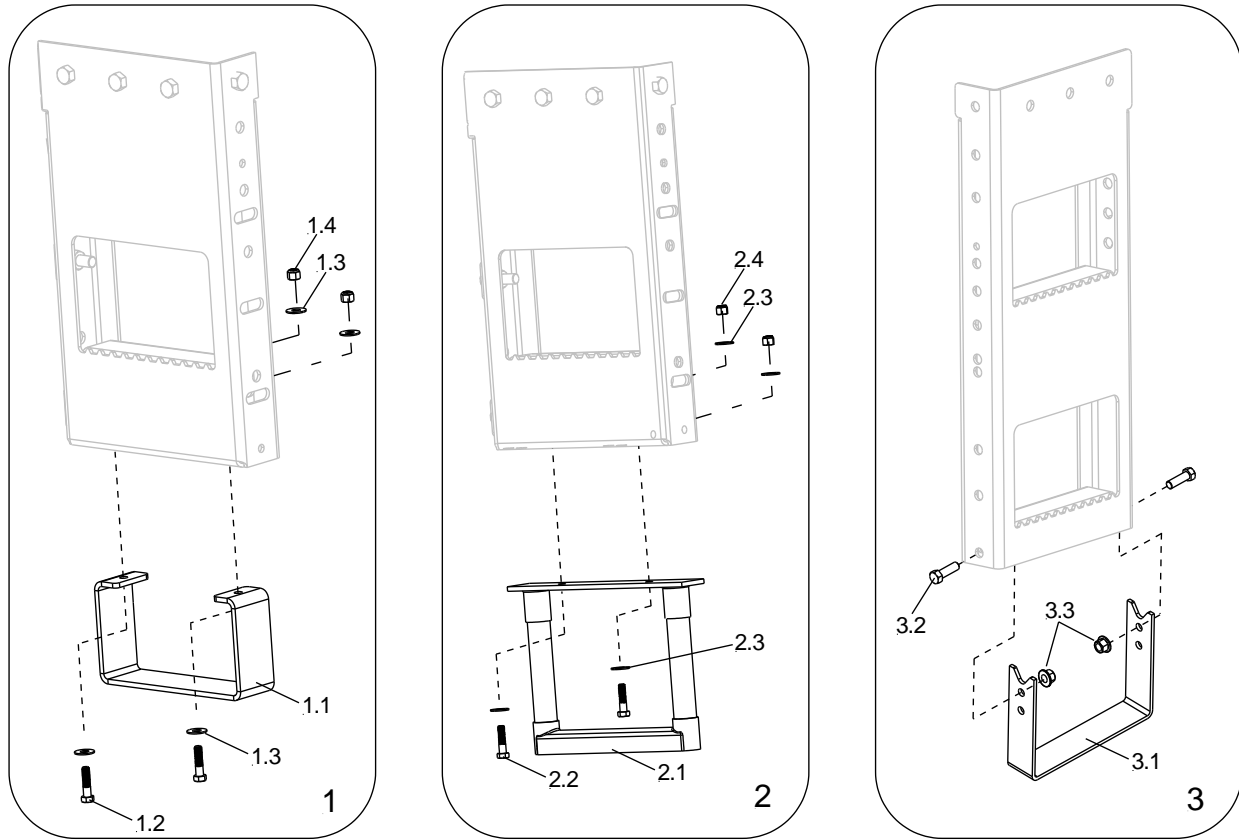
11 - Dock Bumper - Rubber Pads			
No.	Description	Part No.	Qty.
1	UHMW Bumper Kit, 3" X 3" X 4.88", 2-Hole, w/Bolt-On Hardware	65-7518-300	1
1.1	UHMW Bumper Small	65-7517-400	2
1.2	Washer, Flat, 1/2"	EK2796	8
1.3	Nut, Nylock, 1/2"-13	EM-707	4
1.4	Hex Head Cap Screw, 1/2"-13 X 2.25"	ES3910	4
2	UHMW Bumper Kit, 2"X 1.5" X 16", 3-Hole, w/Bolt-On Hardware	65-7518-005	1
2.1	UHMW Bumper	65-7518-001	2
2.2	Hex Head Cap Screw, 1/2"-13 X 2"	ES3455	6
2.3	Nut, Nylock, 1/2"-13	EM-707	6
2.4	Washer, Flat, 1/2"	EK2796	12
3	Rubber Bumper Kit, 3" X 2.5"X 24", 3-Hole, w/Bolt-On Hardware	65-7514-024	1
3.1	Rubber Dock Bumper	65-7514-023	2
3.2	Washer, Flat, 1/2"	EK2796	12
3.3	Nut, Nylock, 1/2"-13	EM-707	6
3.4	Hex Head Cap Screw, 1/2"-13 X 2.75"	ES3554	6
4	Rubber Bumper Kit, 3" X 3" X 24", 4-Hole, w/Bolt-On Hardware	65-7513-424	1
4.1	Rubber Dock Bumper	65-7513-024	2
4.2	Hex Head Cap Screw, 1/2"-13 X 2.75"	ES3910	8
4.3	Nut, Nylock, 1/2"-13	EM 707	8
4.4	Washer, Flat, 1/2"	EK2796	16

12 Dock Bumper - Light Kits



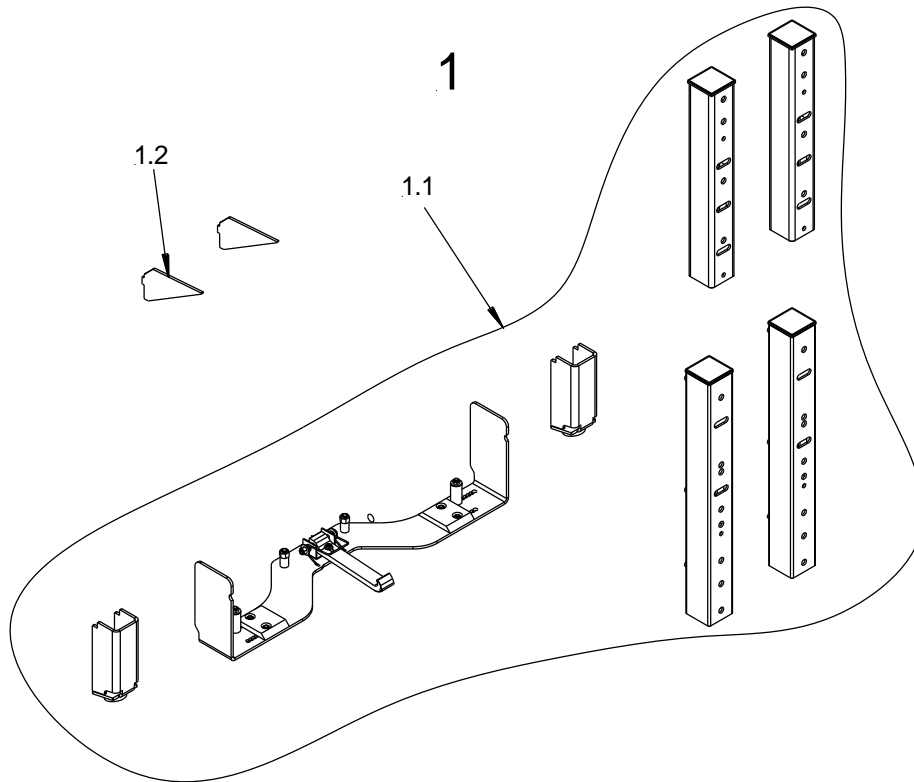
12 - Dock Bumper Light Kits			
No.	Description	Part No.	Qty.
1	Light Fixture Kit, Series 60, 21" Dock Bumpers, (No Lights Included)	60-7515-014	1
1.1	Fixture, 21", Series 60 Lights	65-7515-010	2
1.2	Cap, Plastic, 2" X 4"	60-1007-401	2
1.4	Washer, Flat, 9/16", SAE	EK3280	2
1.5	Nut Flange, 9/16"-18	EM 693	2
1.6	Hex Head Cap Screw, 3/8"-16 X 1-1/4"	ES3496	2
1.7	Hex Head Cap Screw, 9/16"-18 X 1-1/4"	ES3689	2
1.8	Washer, Flat, 3/8" USS	EK3216	4
1.9	Nut, Nylock, 3/8"-16	EM-708	2
2	Light Bracket Assembly, Dock Bumpers, 3" Lights, w/Bolt On Hardware	65-1013-400	1
2.1	Red Led Light	65-1013-201	4
2.2	White Led Light	65-1013-202	2
2.3	3-Light Bracket	65-7513-102	2
2.4	Propell Nut	99-1013-001	12
2.5	Nut, Nylock, 3/8"-16	EM 708	4
2.6	Button Head Cap Screw, 3/8"-16 X 1.25"	ES3464	4
2.7	Washer, Flat, 3/8"	EK3216	4
2.8	Phillips Machine Screw, #8-32 X 1/2"	ES3622	12
2.9	Split Loom	EZ7394	6
3	Light Kit, Series 60, 28" Dock Bumpers, (Lights Included)	65-0815-100	1
3.1	Fixture, Series 60	65-0815-002	2
3.2	Light Kit, w/Harness, Red Light/Red Light (Standard)	70-8015-015	1
	Light Kit, w/Harness, Red Light/White Light (Optional)	70-8015-010	1
3.3	Hex Head Cap Screw, 9/16"-18 X 1.75"	99-8813-119	4
3.4	Nut, Flange, 9/16"-18	99-8813-120	4
3.5	Cap, Plastic, 2" X 4"	60-1007-401	2

13 Dock Bumper - Steps

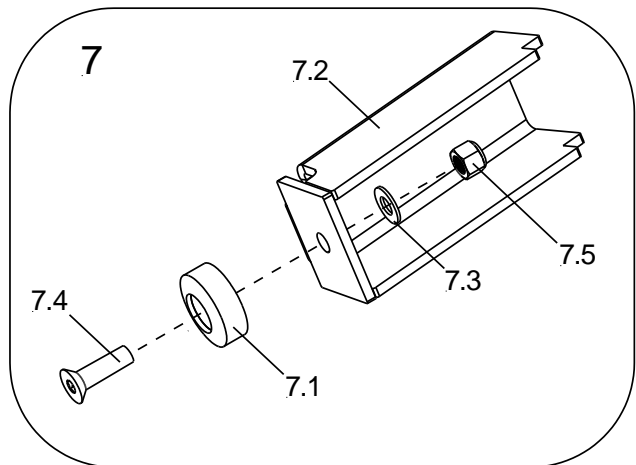
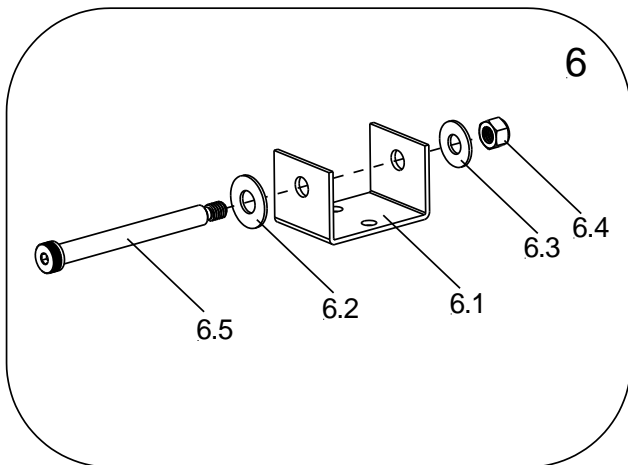
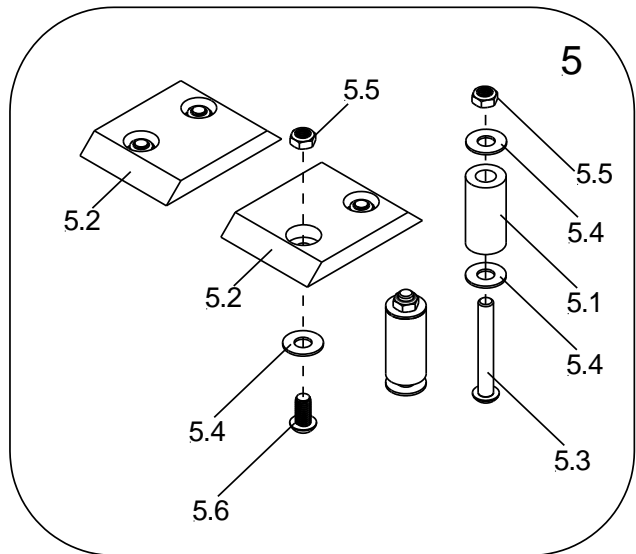
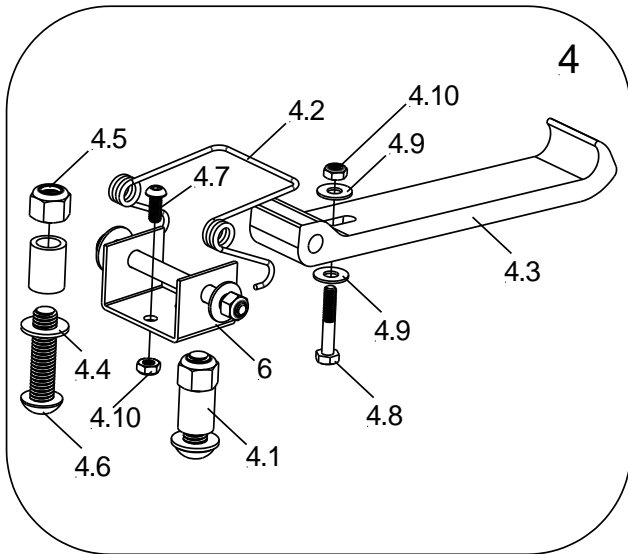
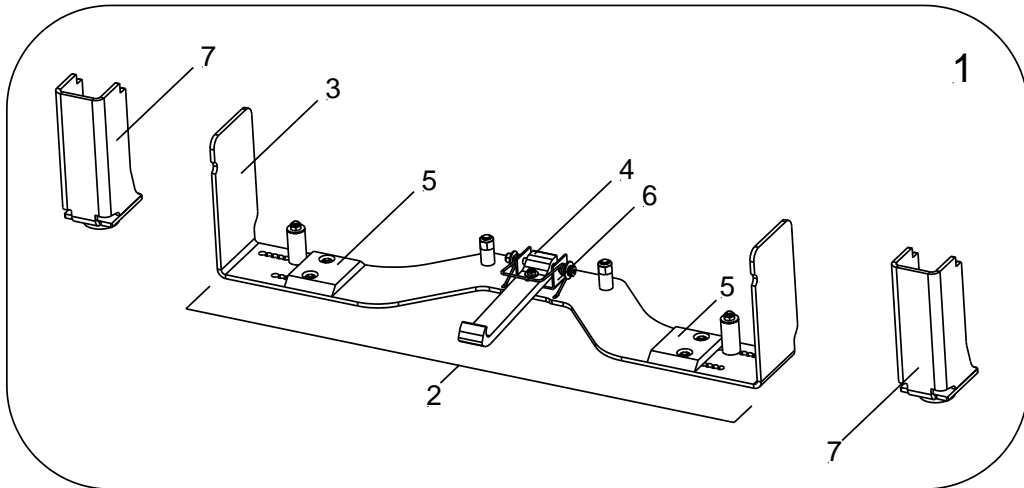


13 - Dock Bumper Steps			
No.	Description	Part No.	Qty.
1	Stirrup Step Kit, 21" Dock Bumper, w/Bolt On Hardware	65-7515-012	1
1.1	Stirrup Step; 6"	65-1011-102	2
1.2	Hex Head Cap Screw, 3/8"-16x1.5"	ES3656	4
1.3	Washer, Flat, 3/8", USS, Zinc	EK3216	8
1.4	Nut, Nylock, 3/8"-16, Gr.5, Zinc	EM-708	4
2	Cable Step Kit, 21" Dock Bumper, w/Bolt On Hardware	65-7515-006	1
2.1	Cable Step	65-7515-005	2
2.2	Hex Head Cap Screw, 3/8"-16x1.50"	ES3656	4
2.3	Washer, Flat, 3/8", USS, Zinc	EK3216	8
2.4	Nut, Nylock 3/8"-16, Gr.5, Zinc	EM-708	4
3	Step Extension Kit, 28" Dock Bumper, w/Bolt On Hardware	65-7514-010	1
3.1	Step Extension	60-1013-060	2
3.2	Hex Head Cap Screw, 1/2"-13 x 1.5" Gr. 5 Zinc	ES3456	4
3.3	Nut, Nylock, 1/2"-13 Gr. 5 Zinc	EM 707	4
3.4	Washer, Flat SAE 1/2" Low Carbon Zinc	EK2796	8

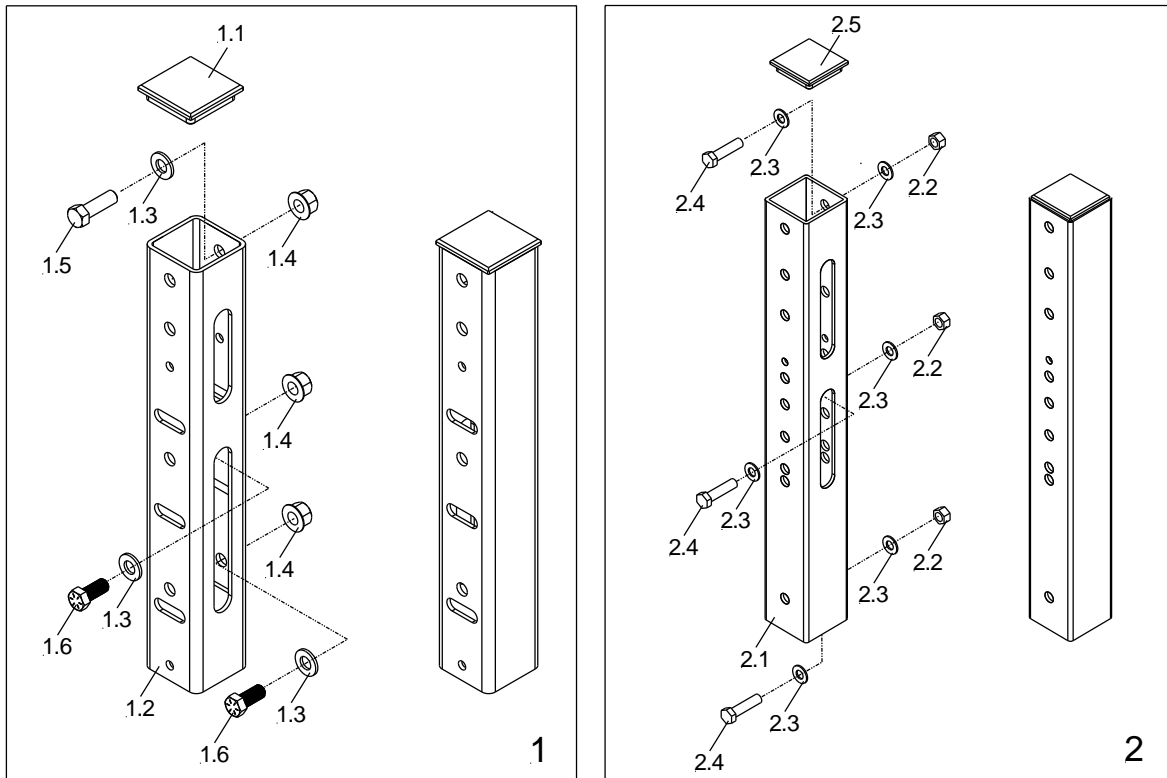
14 **Walk Ramp**



14- Walk Ramp			
No.	Description	Part No.	Qty.
1	Walk Ramp Kit, PTF55	60-1021-200	1
1.1	Walk Ramp Kit, Parts +HW	60-1012-200+G	1
1.2	Gusset, Bed Extension	60-1021-008	1

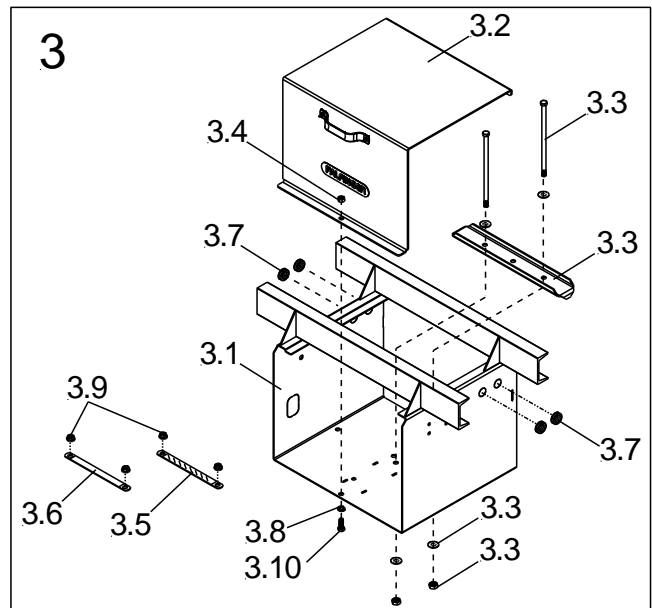
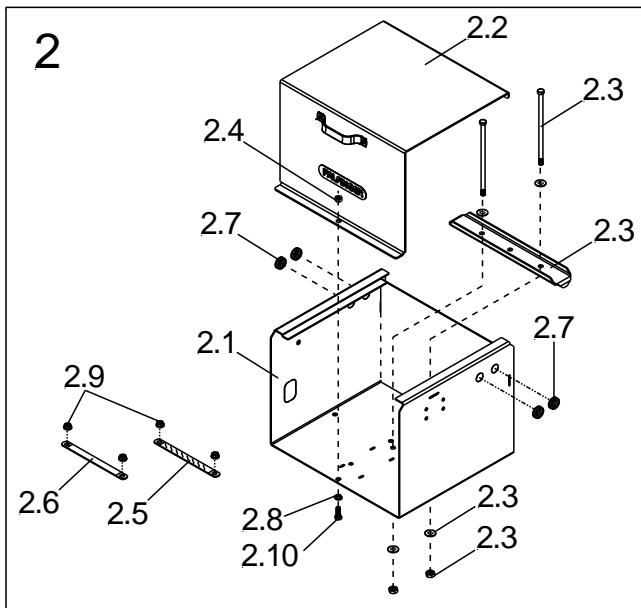
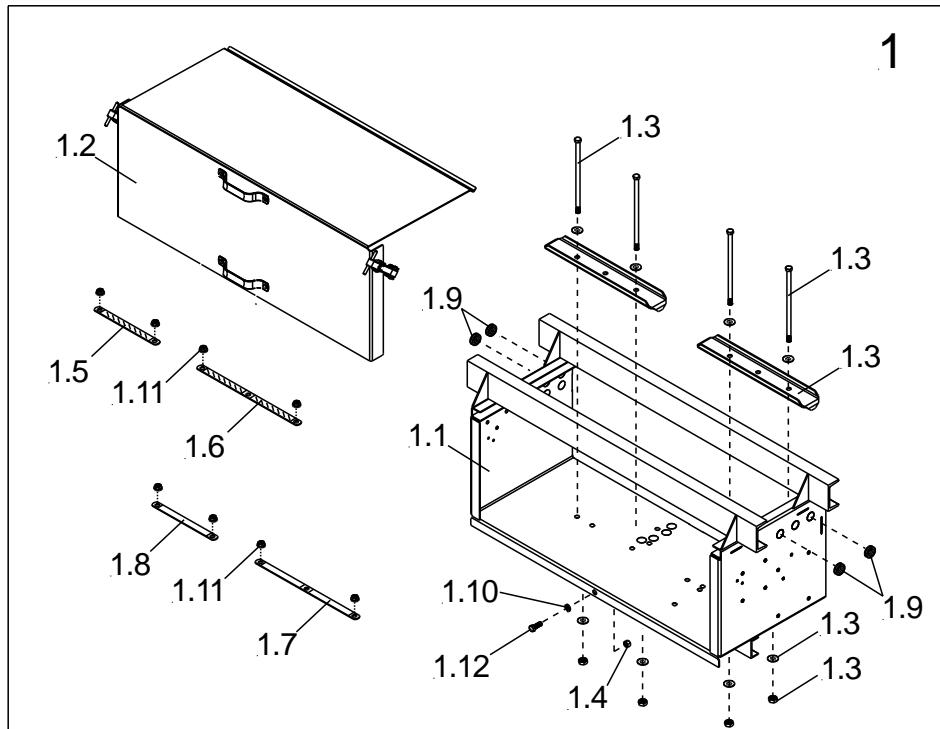


14 – WALK RAMP			
No.	Description	Part No.	Qty.
1	Walk Ramp Kit, Cradle, Up Stops, Hardware, Galvanized	60-1012-200+G	1
2	Walk Ramp Cradle Kit, No Up Stops, Galvanized	60-7515-008+G	1
3	Cradle, Formed	60-1012-211	1
4	Latch Kit	60-7515-006	1
4.1	Slide Stop	60-1009-115	2
4.2	Spring Torsion, Stainless Steel	60-1011-104	1
4.3	Hook, Ramp, Aluminum	60-1012-103	1
4.4	Washer, Flat, 1/2"	EK2796	2
4.5	Nut, Nylock, 1/2"-13	EM-707	2
4.6	Button Head Cap Screw, 1/4" -13 X 2.00"	ES3535	2
4.7	Button Head Cap Screw, 1/4" -20 X 5/8"	ES3537	2
4.8	Hex Head Cap Screw, 1/4"-20 X 1.50"	ES3651	1
4.9	Washer, Flat, 1/4" USS, Zinc	EK3218	2
4.10	Nut, Nylock, 1/4"-20 Zinc	EM 722	3
5	Slide And Slide Guard Kit	60-7515-007	1
5.1	Slide Guard	60-1009-112	2
5.2	Walk Ramp Slide Pad	60-1011-151	2
5.3	Button Head Cap Screw, 3/8"-16 X 2.75"	ES3534	2
5.4	Washer, Flat, 3/8" USS, Zinc	EK3216	8
5.5	Nut, Nylock, 3/8"-16, Block Half Height	EM-709	6
5.6	Button Head Cap Screw, 3/8"-16 X 3/4"	ES3460	4
6	Bracket & Hardware Kit	60-1012-203	1
6.1	Bracket, Emtek	60-7515-009	1
6.2	Washer, Flat, 3/8", USS, Zinc	EK3216	1
6.3	Washer, Flat, 5/16"	EK3217	1
6.4	Nut, Nylock, 5/16"-18	EM 710	1
6.5	Shoulder Screw, 3/8" X 3.5"	ES3533	1
7	Up Stop Kit, Galvanized	60-7515-005+G	1
7.1	Bumper, Nylon	60-1009-113	1
7.2	Up Stop, Formed, Adjustable	60-1009-301+G	1
7.3	Washer, Flat, 1/2"	EK2796	1
7.4	Flat Head Cap Screw, 1/2"-13 X 1.75"	ES3536	1
7.5	Nut, Nylock, 1/2"-13	EM 689	1



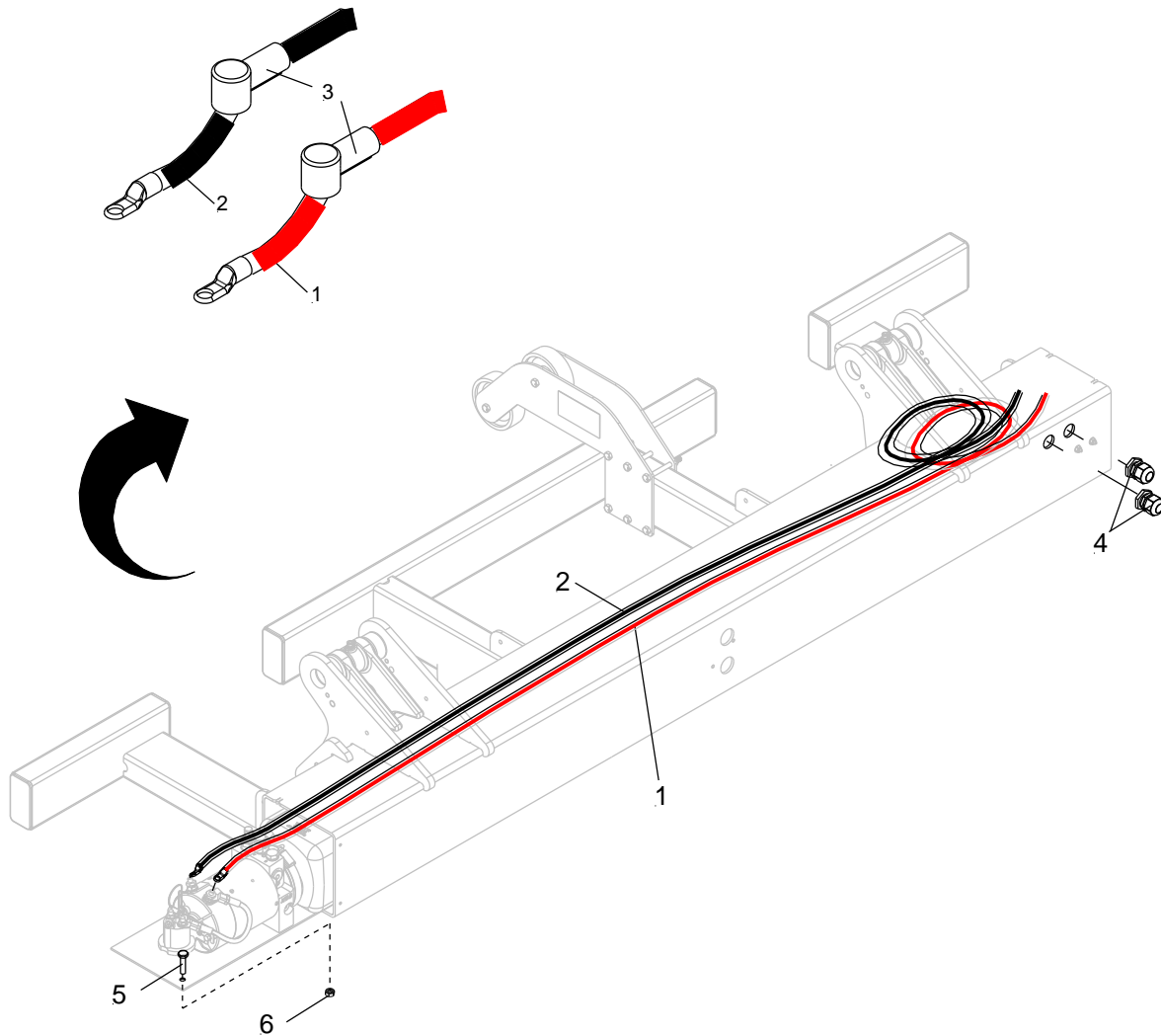
14 - WALK RAMP EXTENSIONS			
NO.	DESCRIPTION	PART NO.	QTY.
1	21" Dock Bumper, Bolt-On, Walk Ramp Extension Kit, w/Hardware	65-7515-013+G	1
1.1	3" Square Tube Cap	99-8714-001	2
1.2	Walk Ramp Extension Tube, Galvanized	65-7515-014+G	2
1.3	Washer; Flat; 9/16, SAE/USS	EK3280	6
1.4	Lock Nut, Flange, 9/16"-18	EM 693	6
1.5	Hex Head Cap Screw, 9/16-18 X 1.75"	ES3444	2
1.6	Hex Head Cap Screw, 9/16-18 X 1.25"	ES3689	4
2	28" Dock Bumper, Bolt-On, Walk Ramp Extension Kit, w/Hardware	65-7514-014+G	1
2.1	Walk Ramp Extension Tube, Galvanized	65-7514-016+G	2
2.2	Nut, Nylock, 1/2"-13	EM-707	6
2.3	Washer, Cut. 1/2"	EK2796	12
2.4	Hex Head Cap Screw, 1/2"-13 X 1.5"	ES3456	6
2.5	Cap, Square Tube, 3"	99-8714-001	2

15 Battery Box Kits



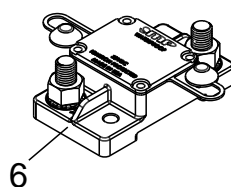
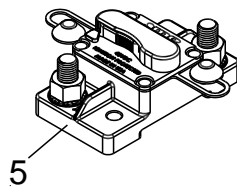
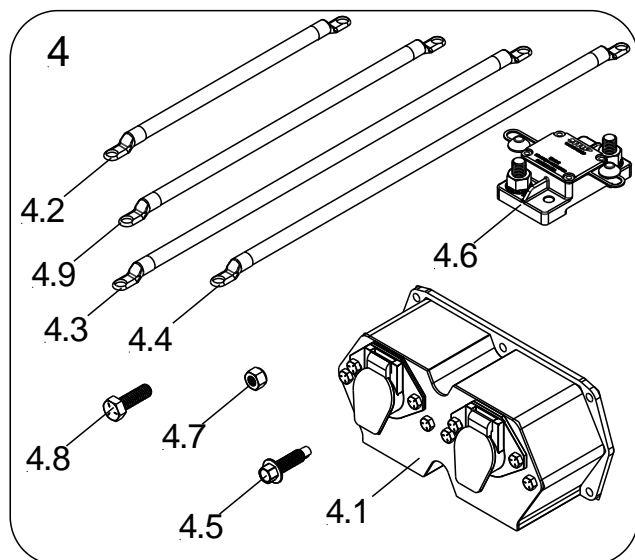
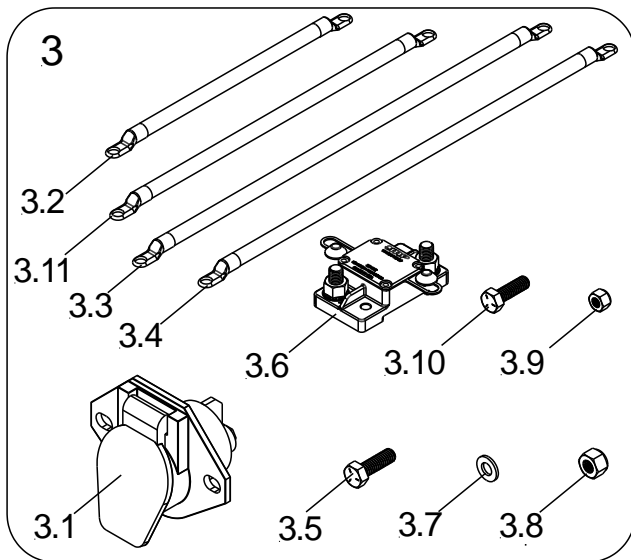
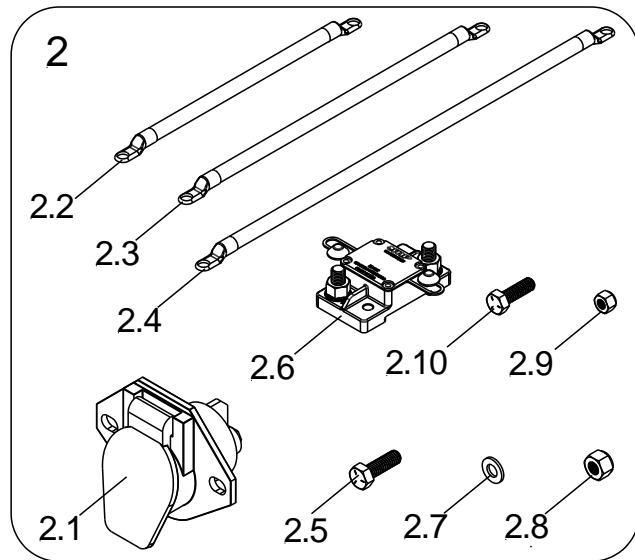
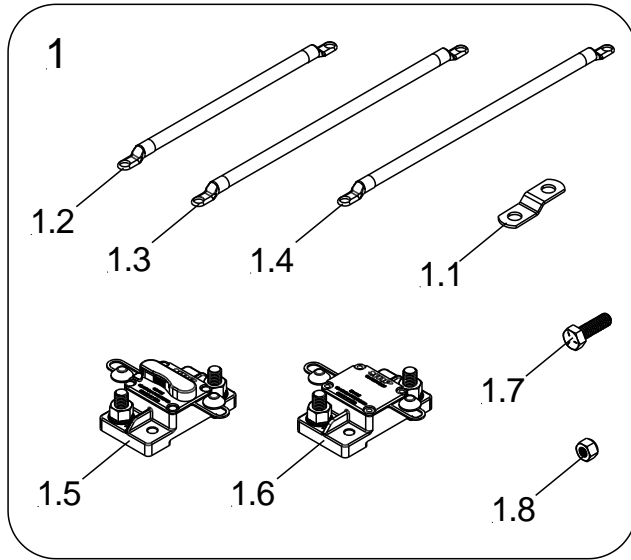
15 – BATTERY BOX KITS			
NO.	DESCRIPTION	PART NO.	QTY.
1	Battery Box Kit, 4-Battery	50-8016-100	1
1.1	Battery Box Base, Assembly, Large	50-8016-001	1
1.2	Battery Box Lid Assembly	60-7515-012	1
1.3	Kit, 2-Battery Hold Down	60-7515-151	2
1.4	Nut, 3/8"-16, Gr.5	EM 532	1
1.5	Bus Bar, 2-Battery, Black	KET05916A	1
1.6	Bus Bar, 3-Battery, Black	KET05961A	1
1.7	Bus Bar, 3-Battery, Red	KET05962A	1
1.8	Bus Bar, 2-Battery, Red	KET06062A	1
1.9	Grommet, 7/8" Diameter Hole	EK3504	4
1.10	Washer, Split Lock, 3/8"	EK3238	1
1.11	Nut, Serrated, 3/8"-16; Stainless Steel	EM 781	8
1.12	Hex Head Cap Screw, 3/8"-16x1", Gr. 5, Zinc	ES3446	1
2	Battery Box Kit, 2-Battery	50-8016-200	1
2.1	Battery Box, Base, Assembly, 2-Battery	50-8016-201	1
2.2	Lid Assy., Alum	60-7517-018	1
2.3	2-Battery Hold Down Kit	60-7515-151	1
2.4	Nut, 3/8"-16, Gr. 5	EM 532	1
2.5	Bus Bar, 2-Battery, Black	KET05916A	1
2.6	Bus Bar, 2-Battery, Red	KET06062A	1
2.7	Grommet, 7/8" Diameter Hole	EK3504	4
2.8	Washer, Split Lock, 3/8"	EK3238	1
2.9	Nut, Serrated, 3/8"-16, Stainless Steel	EM 781	4
2.10	Hex Head Cap Screw, 3/8"-16x1", Gr.5, Zinc	ES3446	1
3	Battery Box Kit, 2-Battery, w/Channels	60-7517-022	1
3.1	Battery Box, Base, Assembly, 2-Battery, w/Channels	60-7517-020	1
3.2	Lid Assy., Alum	60-7517-018	1
3.3	2-Battery Hold Down Kit	60-7515-151	1
3.4	Nut, 3/8"-16, Gr. 5	EM 532	1
3.5	Bus Bar, 2-Battery, Black	KET05916A	1
3.6	Bus Bar, 2-Battery, Red	KET06062A	1
3.7	Grommet, 7/8" Diameter Hole	EK3504	4
3.8	Washer, Split Lock, 3/8"	EK3238	1
3.9	Nut, Serrated, 3/8"-16, Stainless Steel	EM 781	4
3.10	Hex Head Cap Screw, 3/8"-16x1", Gr.5, Zinc	ES3446	1
4	Battery, Lead/Acid, Group 31	3-49999	1
5	Battery, AGM, Standard, Group 31	3-49998	1
6	Battery, AGM, Premium, Group 31	3-50003	1

16 Electrical



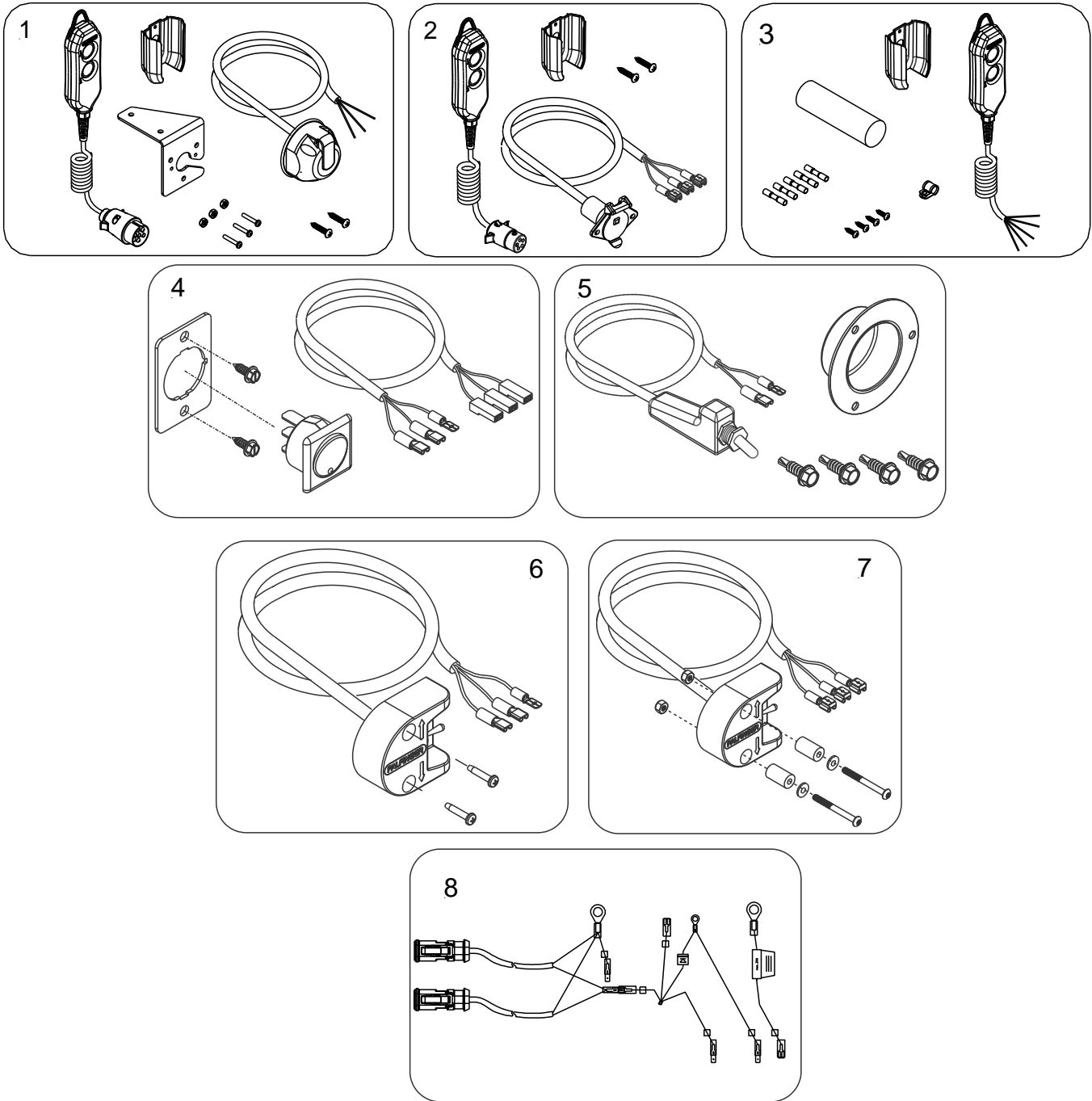
16 – Electrical			
No.	Description	Part No.	Qty.
1	Wire, Battery Cable 2Ga., 40 ft., Black	KET06314A	1
2	Wire, Battery Cable 2Ga., 40 ft., Black	KET05701A	1
3	Cap, Terminal Cover	EEA15755	2
4	Strain Relief, 0.67" ID, 0.98" OD	70-1011-102	2
5	Hex Head Cap Screw, 5/16-18x1.25", Gr. 5, Zinc	ES3975	2
6	Nut, Nylock, 5/16-18, Gr 5, Zinc	EM 710	2

17 Trailer/Truck Charge Kits



17– Trailer/Truck Charge Kits			
No.	Description	Part No.	Qty.
1	Truck Kit, 40ft., Electrical	70-1115-100	1
1.1	Bus Bar, Offset .09 x .75 x 2.5	KET06537A	1
1.2	Cable, 2GA, 18", 3/8" Lugs, Red	KET05919A	1
1.3	Cable, 2GA, 74", 3/8" Lugs, Black	KET05925A	1
1.4	Cable, 2GA; 480", 3/8" Lugs, Red	KET06314A	1
1.5	Circuit Breaker, 175a, 3/8" Studs, Manual Reset	70-8114-009	1
1.6	Circuit Breaker, 175a, 3/8" Studs, Auto Reset	70-8114-008	1
1.7	Hex Head Cap Screw, 1/4-20x1.0", Gr.5, Zinc	ES3443	2
1.8	Nut, Nylock 1/4-20, Zinc	EM 722	2
2	Single Pole Kit, Trailer	70-1115-101	1
2.1	Socket, Single Pole	70-8015-019	1
2.2	Cable, 2GA, 18", 3/8" Lugs, Red	KET05919A	1
2.3	Cable, 2GA, 74", 3/8" Lugs, Black	KET05925A	1
2.4	Cable, 2GA; 480", 3/8" Lugs, Red	KET06314A	1
2.5	Hex Head Cap Screw, 5/16-18x1"	ES3724	2
2.6	Circuit Breaker, 175A, 3/8" Studs, Auto Reset	70-8114-008	1
2.7	Washer, Flat, 5/16"	EK3217	4
2.8	Nut, Nylock, 5/16-18	EM 710	2
2.9	Nut, Nylock, 1/4-20 Zinc	EM 722	2
2.10	Hex Head Cap Screw, 1/4-20x1.0", Gr.5, Zinc	ES3443	2
3	Dual Pole Kit, Trailer	70-1115-102	1
3.1	Socket, Dual Pole	70-8015-018	1
3.2	Cable, 2GA, 18", 3/8" Lugs, Red	KET05919A	1
3.3	Cable, 2GA, 480", 3/8" Lugs, Black	KET05701A	1
3.4	Cable, 2GA; 480", 3/8" Lugs, Red	KET06314A	1
3.5	Hex Head Cap Screw, 5/16-18x1"	ES3724	2
3.6	Circuit Breaker 175A, 3/8" Studs, Auto Reset	70-8114-008	1
3.7	Washer, Flat, 5/16"	EK3217	4
3.8	Nut, Nylock, 5/16-18	EM 710	2
3.9	Nut, Nylock, 1/4-20 Zinc	EM 722	2
3.10	Hex Head Cap Screw, 1/4-20x1.0", Gr.5, Zinc	ES3443	2
3.11	Cable, 2GA, 74", 3/8" Lugs, Black	KET05925A	1
4	Single & Dual Pole Kit w/Nose Box, Trailer	70-1115-103	1
4.1	Nosebox, Single & Dual Pole Socket	70-8015-020	1
4.2	Cable, 2GA, 18", 3/8" Lugs, Red	KET05919A	1
4.3	Cable, 2GA, 480", 3/8" Lugs, Black	KET05701A	1
4.4	Cable, 2GA; 480", 3/8" Lugs, Red	KET06314A	1
4.5	Hex Head Cap Screw, 5/16-18x1", Gr.5 Zinc	ES3724	6
4.6	Circuit Breaker 175A, 3/8" Studs, Auto Reset	70-8114-008	1
4.7	Nut, Nylock 1/4-20 Zinc	EM 722	2
4.8	Hex Head Cap Screw, 1/4-20x1.0", Gr.5, Zinc	ES3443	2
4.9	Cable, 2GA, 74", 3/8" Lugs, Black	KET05925A	1
4.10	Nut, Nylock, 1/4-20 Gr. 5 Zinc	EM 710	6
5	Circuit Breaker 150A, 3/8" Studs, Manual Reset	70-8115-002	1
6	Circuit Breaker 150A, 3/8" Studs, Auto Reset	70-8115-003	1

18 Controls



18 - Controls			
No.	Description	Part No.	Qty.
1	2-Button Hand Control Kit, Plug and Socket, Hella	70-7516-100	1
2	2-Button Hand Control Kit, Plug & Socket, Coil Cord	70-7516-009	1
3	2-Button Hand Control Kit	70-7519-020	1
4	Cab Shut-off Switch Kit	70-0312-100	1
5	Switch, Trailer Kit, ON-OFF	70-8015-008	1
6	Toggle Switch Kit, Up/Down, Primary	2004565	1
7	Toggle Switch Kit, Up/Down, Secondary, Optional	70-8016-050	1
8	Harness, Power Down	2061004	1

19 Decals

1

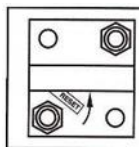
URGENT WARNING

BEFORE OPERATING LIFT, BE SURE YOU UNDERSTAND:

- Improper operation of this lift gate can result in serious personal injury. Do not operate unless you have been properly instructed. Read, read, and re-read the operating instructions. If you do not have a copy of the instructions please obtain them from your employer, distributor or dealer, as appropriate, before you attempt to operate the lift gate.
- Be certain the vehicle is properly and securely braked before using the liftgate.
- Always inspect this lift gate for maintenance or damage before using it. If there are signs of improper maintenance, damage to vital parts, or a slippery platform surface, do not use the lift gate. Do not attempt your own repairs, unless you are specifically trained.
- Do not overload. See the MLD, Lifting and/or Tipping Label on the front for the rated load. Remember that this limit applies to both raising and lowering operations.
- Each load should be placed in a stable position as near as possible to the center of the platform.
- Never allow yourself, a helper, or a bystander to stand in a position where an unstable load might fall on them. Do not allow any part of your or your helper's body to be placed under, through, or around any portion of the moving lift gate, or in a position that would trap them between any parts when the lift gate is operated.
- This lift gate is intended for loading and unloading of cargo only. Do not use this lift gate for anything but its intended use. This lift gate is not equipped with a lock up system to prevent falling in the event of a failure.

ATG-00000000

2



NOTICE

ELECTRICAL SYSTEM PROTECTED BY RESETTABLE CIRCUIT BREAKER

TO RESET - PUSH RESET TAB IN

ATG-BKR

3

CAUTION

MAXIMUM LOAD CAPACITY
XXXX LBS
[XXXX KG]

CENTER LOAD ON PLATFORM TO AVOID PERSONAL OR PROPERTY DAMAGE

4

NOTICE

ELECTRICAL SYSTEM IS PROTECTED BY A RESETTABLE CIRCUIT BREAKER. SEE OWNER'S MANUAL AND DECAL LOCATED AT THE BATTERY.

ATG-RESET

5

NOTICE

LIFT GATE SHUT-OFF TO BE TURNED OFF WHEN LIFT IS NOT IN USE

ATG-CAS

6

WARNING

LIFTGATE HAZARDS CAN RESULT IN CRUSHING OR FALLING

KEEP HANDS AND FEET CLEAR OF PINCH POINTS

IF RIDING LIFTGATE, MAKE SURE LOAD IS STABLE AND FOOTING IS SOLID

READ AND UNDERSTAND ALL INSTRUCTIONS AND WARNINGS BEFORE USE.

ATG-000

7

WARNING

ALWAYS STAND CLEAR OF PLATFORM AREA

ATG-000

8

NOTICE

UP

DOWN

ATG-010

9

WARNING

USE HANDLE TO OPEN ALWAYS STAND CLEAR OF PLATFORM AREA WHEN OPERATING THIS GATE

ATG-WHG

10


NOTICE

PALFINGER



ATG-000

11



12

PALFINGER

13

NOTICE

The system will not work if the gate is not properly secured. Follow the steps below to ensure the gate is properly secured.

1. Check the gate is fully extended.

2. Check the gate is fully lowered.

3. Check the gate is fully locked.

4. Check the gate is fully secured.

ATG-000

14



19 - Decals			
No.	Description	Part No.	Qty.
1	Operational Instruction	ATG-ILR-ILFS	1
2	Circuit Breaker Reset (must be located at the circuit breaker)	ATG-BKR	1
3	Capacity (check the serial number plate to find out the gates specific capacity).	ATG-XXXX	2
4	Circuit Breaker Protection	ATG-RESET	1
5	Liftgate Shut-Off (Place Decal next to the On-Off Switch in the Cab) for flatbeds)	ATG-CAB	1
6	Warning: liftgate can crush	ATG-WLH	2
7	Warning: Always stand clear of platform area	ATG-PLAT	2
8	Toggle Switch Decal (located on post for Trucks) Or (located on strut brace	ATG-UD	1
9	Warning: Use handle to open (must be located underneath handle (main section))	ATG-WNG	1
10	Lubrication and Fluid Points	ATG-ILTLUB	1
11	Conspicuity Tape Kit (Contains two Red/White Strips)	85-8821-001	Kit
12	Palfinger Logo, 1.81" x 8.375"	85-0315-100	1
13	Operating Instructions	85-0315-100	1
14	Palfinger Logo, 3" x 38"	2032626	1

***XXXX = LIFTGATE CAPACITY (LBS) [EXAMPLE PART NUMBER: MLATG- 3000]**

