

# ***INTERLIFT***

**BY PALFINGER**

---

## **PARTS MANUAL**

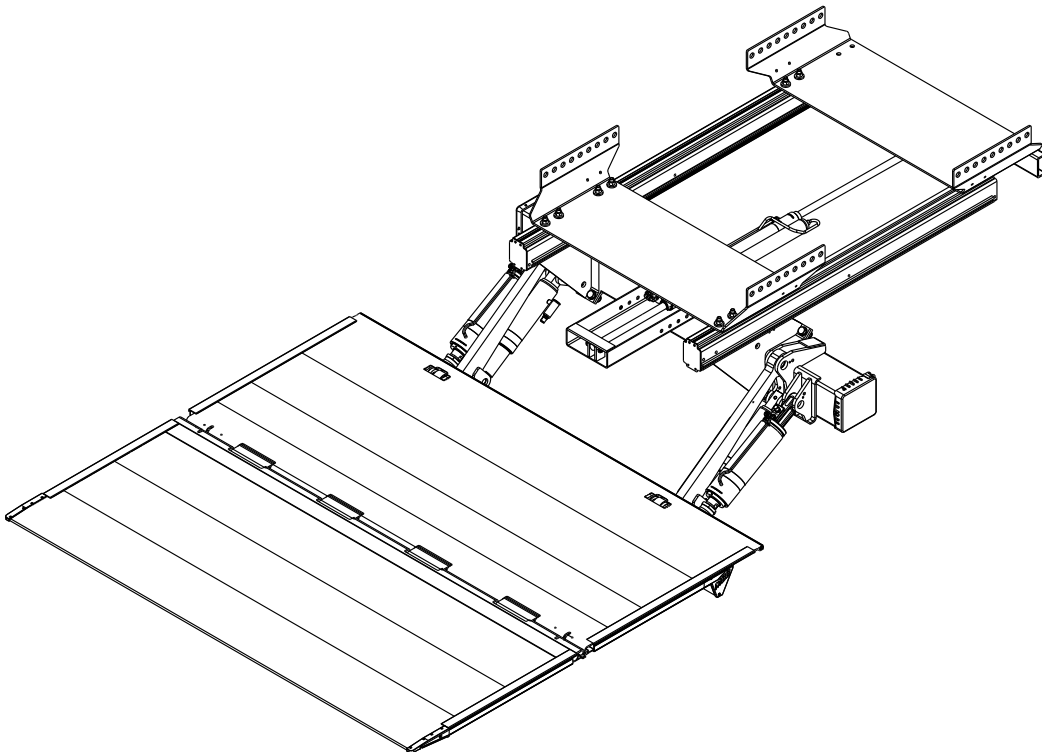
**ILUK 33, 3300 lbs. Capacity**

**ILUK 44, 4400 lbs. Capacity**

**ILUK 55, 5500 lbs. Capacity**

**ILUK 60, 6000 lbs. Capacity**

**ILUK 66, 6600 lbs. Capacity**



ILUK 33/44/55/60/66 Parts Manual  
Document Part Number: 90-0514-000 / 14-691\_90-00\_00-00  
ECN-M1723, Rev. 1.9, 12-14-23  
Copyright © 2023 Palfinger Interlift, LLC.  
All rights reserved.

Information in this document is subject to change without notice.  
Visit [www.palfinger.com](http://www.palfinger.com) for up to date information and notifications.

If you received this product with damaged or missing parts,  
contact INTERLIFT Liftgates at (888)-774-5844

Parts Order/Inquiries  
[liftgateparts@palfinger.com](mailto:liftgateparts@palfinger.com)

Technical Support  
[technicalapplications@palfinger.com](mailto:technicalapplications@palfinger.com)



15939 Piuma Ave.  
Cerritos, CA 90703  
Tel (888) 774-5844  
Fax (562) 924-8318



572 Whitehead Road.  
Trenton, NJ 08619  
Tel (609) 587-4200  
Fax (609) 587-4201

---

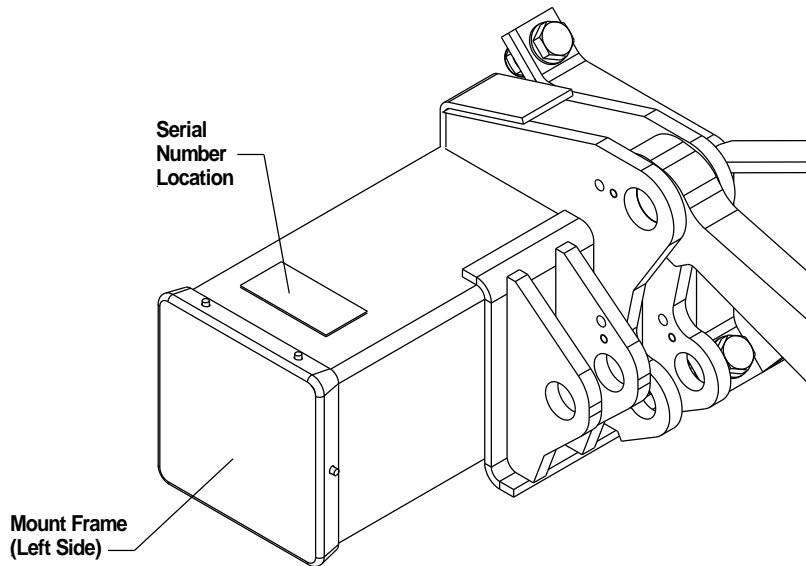
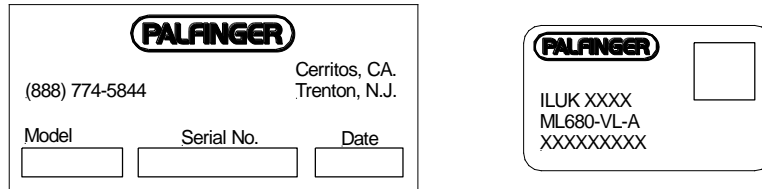
**Parts Orders:**

- There is a \$50.00 minimum parts order.
- Ground freight is free for spare parts orders exceeding \$1,500.00, excluding platforms, runners, mount frames and other main assemblies.
- Contact parts department, our hours are from 8 am EST in NJ until 5 pm PST in CA  
California: (888) 774-5844, or (562)924-8218, ext. 97, 29 , or 15; Fax: (562) 924-8318.  
New Jersey: at (609) 587-4200; Fax: (609) 587-4201.  
E-mail orders or inquires for both locations to: [liftgateparts@palfinger.com](mailto:liftgateparts@palfinger.com)
- Next Day Air shipments must be received by 2:30 pm local time at either location.
- To ensure quick delivery when placing an order, please be sure to include: liftgate model, serial number, part number, and description in accordance with spare Parts List.
- Any parts being returned must have Return Merchandise Authorization (RMA) number, copy of invoice and a detailed packing list of returned parts. RMA numbers will be issued by parts department and are valid for 30 days. All returned RMA parts must be returned to INTERLIFT Liftgates by prepaid freight or by call tag.
- Parts must be returned in NEW CONDITION. To receive credit on returned parts, the original purchase date must be within 6 month and authorized by INTERLIFT Liftgates.
- Returned parts are subject to a 20% restocking charge.
- Any part received not in new condition will be subject to inspection and possible refusal. All INTERLIFT Liftgates parts are covered for one year from date of purchase against defects in material and workmanship.
- **Warranty Coverage: part replacement only**

**Important Liftgate Information:**

1. Liftgate serial information can be found on the left (street side) side of the mount tube as shown below. Please have the liftgate information ready when ordering parts to assure parts are replaced accurately.

**Serial Number Tags**



2. The finish for many parts differs from liftgate to liftgate. It is important to specify what type of finish the replacement part(s) has. INTERLIFT Liftgates uses galvanized, galvanized, powder coat, paint, and zinc coated components on the different models of liftgates.

**Table of Contents**

**1 Frame ..... 6**

**2 Rails..... 8**

**3 Rapid Mount Bolt-On..... 10**

**4 Pins & Bushings..... 12**

**5 Lift Cylinder ..... 13**

**6 Tilt Cylinder..... 14**

6.1 Tilt Cylinder..... 14

6.2 Tilt Cylinder – Short ..... 15

6.3 Lift Cylinder – Short (As of June 2009)..... 16

**7 Push Pull Cylinders..... 17**

7.1 Push Pull Cylinder – 600mm..... 17

7.2 Push Pull Cylinder – 700mm..... 18

**8 Platform Assemblies ..... 19**

**9 Steel Platform - Main ..... 20**

**10 Aluminum Platform – Main..... 21**

**11 Aluminum Platform – Tip ..... 23**

**12 Aluminum Platform – ILUK 60 ..... 25**

**13 Cart Stops - Aluminum Platforms..... 27**

**14 Hydraulic Hoses ..... 28**

**15 Pump and Motor - ILUK 33/44/55 ..... 30**

15.1 Pump and Motor - ILUK 60/66..... 31

15.2 Bosch Pump and Motor..... 32

**16 Dock Lock Kits..... 33**

**17 Curb Ramp Kit ..... 33**

**18 Tire Blowout Protection Kits..... 34**

**19 Battery Box Kits..... 36**

**20 Truck & Trailer Charge Kits ..... 38**

**21 Control Box Mounting Brackets ..... 40**

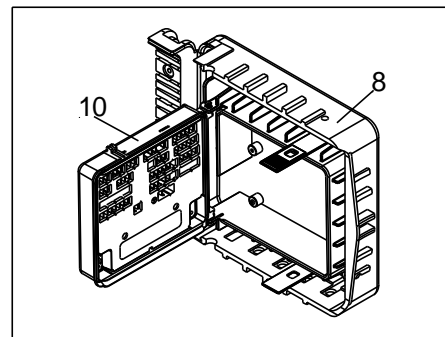
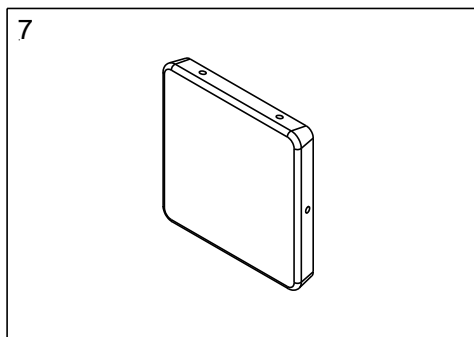
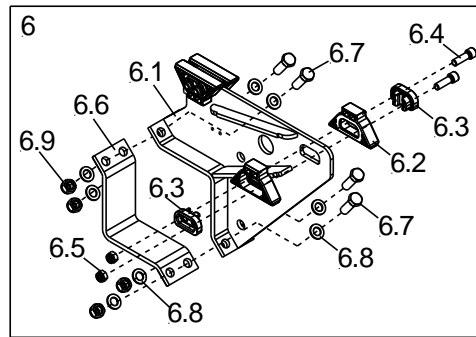
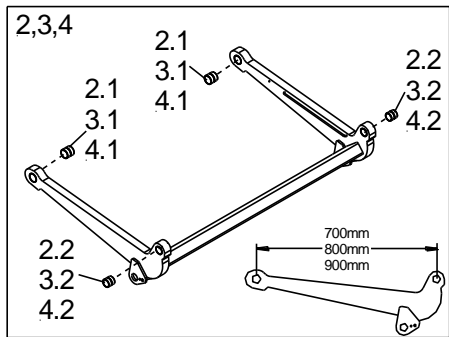
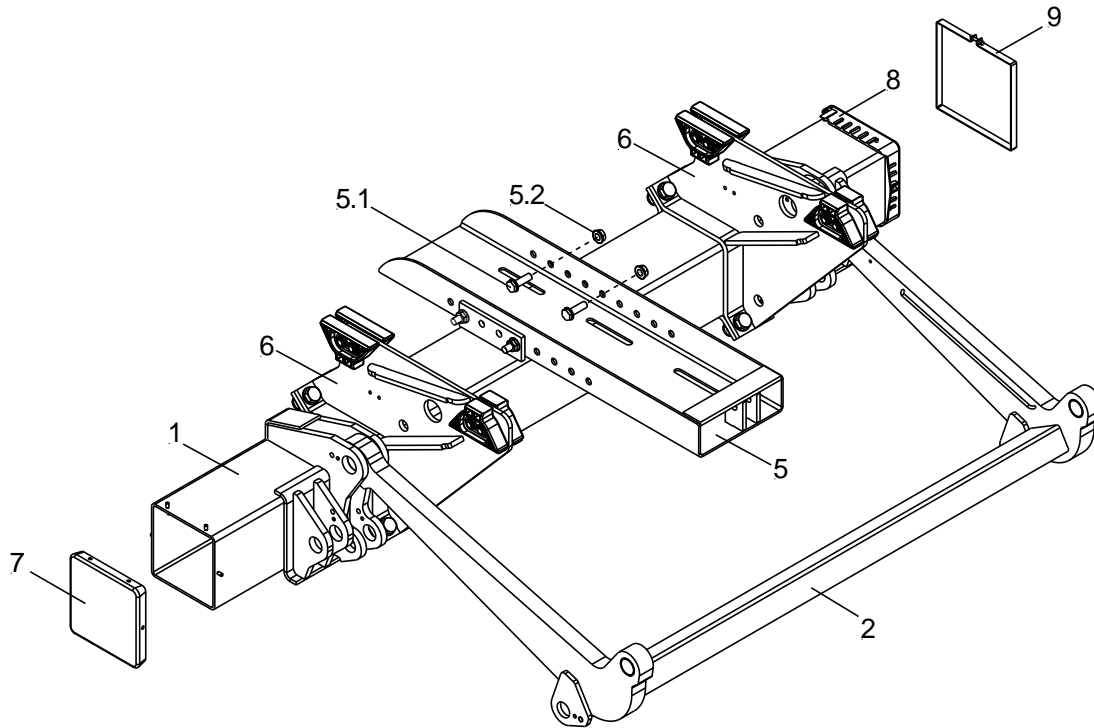
**22 Control Box..... 40**

**23 Controls..... 42**

**24 Decals..... 44**

# 1 Frame

*INTERLIFT Liftgates use galvanized, galvanized, powder coat, paint, zinc, and other finishes on different liftgate models. It is important to specify what type of finish is required for the ordered replacement parts.*



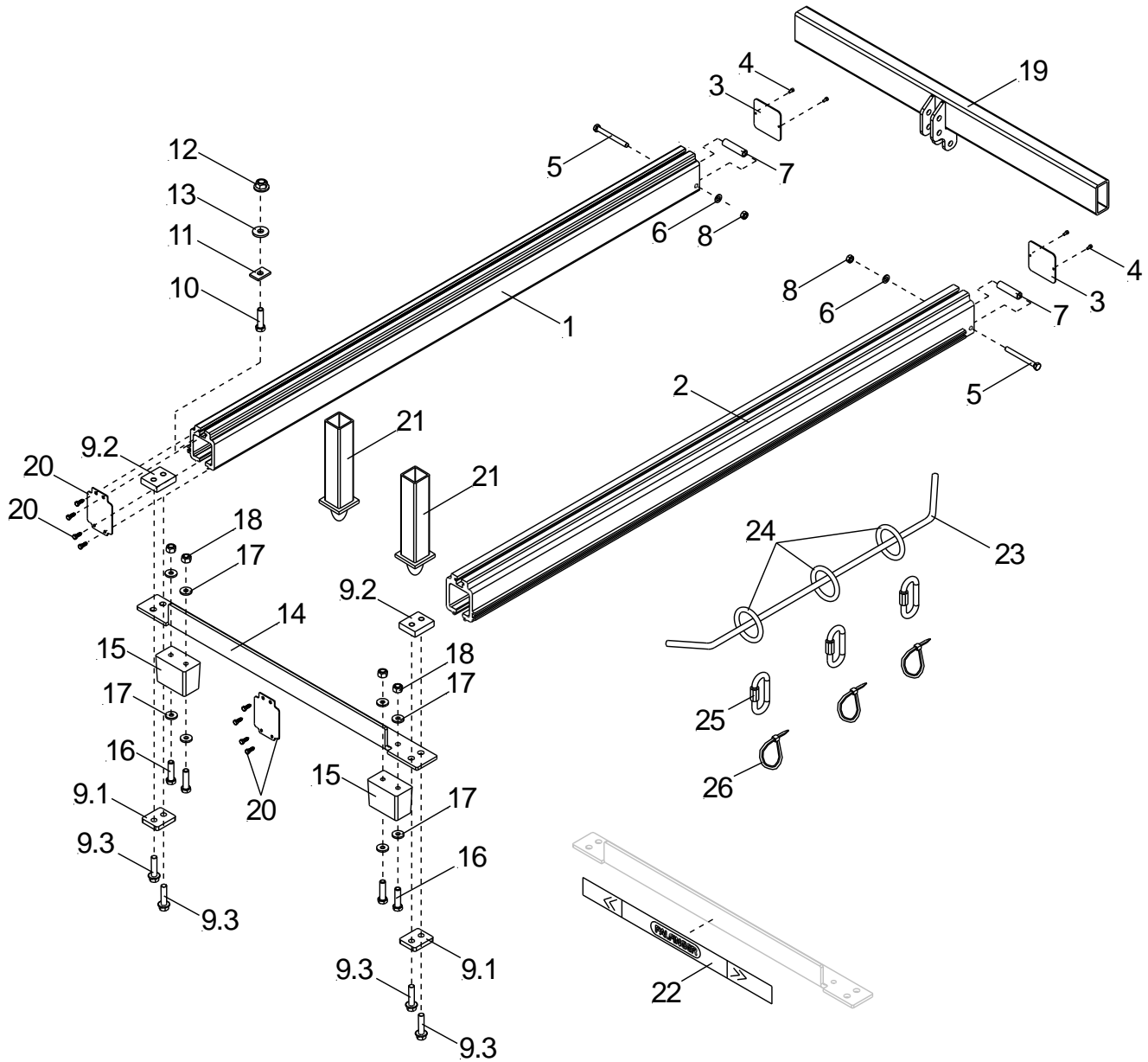
Palfinger Interlift, LLC.  
 15939 Piuma Ave, Cerritos, CA 90703  
 Tel: (888) 774-5844, Fax: (562) 924-8318

Palfinger Interlift, LLC.  
 572 Whitehead Road, Trenton, NJ 08619  
 Tel: (609) 587-4200, Fax: (609) 587-4201

1 - FRAME							
NO.	DESCRIPTION	ILUK 33	ILUK 44	ILUK 55	ILUK 60	ILUK 66	QTY.
1	Frame, 700mm Lift Arm	N/A	ML2010384	ML2010384	N/A	N/A	1
	Frame, 800mm Lift Arm	ML2009961	ML2009965	ML2009965	N/A	N/A	1
	Frame, 900mm Lift Arm	N/A	N/A	N/A	2034052	On Request	1
2	Lift Arm Assembly, 700mm	N/A	ML2023189	ML2023189	N/A	N/A	1
2.1	Bushing, 40mmx44mmx41mm	N/A	P-1403362	P-1403362	N/A	N/A	2
2.2	Bushing, 36mmx40mmx41mm	N/A	P-1403363	P-1403363	N/A	N/A	2
3	Lift Arm Assembly, 800mm, Short Cyl.	P-2005449	P-2020747	P-2020747	N/A	N/A	1
	Lift Arm Assembly, 800mm, Long Cyl.	N/A	P-1410279	P-1410279	N/A	N/A	1
3.1	Bushing, 40mmx44mmx41mm	N/A	P-1403362	P-1403362	N/A	N/A	2
3.2	Bushing, 36mmx40mmx41mm	N/A	P-1403363	P-1403363	N/A	N/A	2
4	Lift Arm Assembly, 900mm	N/A	N/A	N/A	ML2030395	On Request	1
4.1	Bushing, 50mmx55mmx41mm	N/A	N/A	N/A	P-1328605	P-1328605	2
4.2	Bushing, 44mmx40mmx41mm	N/A	N/A	N/A	P-1403362	P-1403362	2
5	Push Pull Tray, 600mm	P-2016851	P-2016851	P-2016851	N/A	N/A	1
	Push Pull Tray, 700mm	N/A	P-2016853	P-2016853	P-2016853	P-2016853	1
5.1	Hex Head Cap Screw, Flange,	ES1588	ES1588	ES1588	ES1588	ES1588	4
5.2	Nut, Flange, M14-1.5, 10.9, DIN6927	EM 711	EM 711	EM 711	EM 711	EM 711	4
6	Mount Plates, Bolt-On, Kit, ILUK 44/55	On Request	P-2019535	P-2019535	N/A	N/A	1
6.1	Mount Plate, ILUK (Not Complete)	On Request	ML2016838	ML2016838	N/A	N/A	1
6.2	Slide Pad	P-2014290	P-2014290	P-2014290	P-2014290	P-2014290	4
6.3	Slide Pad Anchor	P-2014291	P-2014291	P-2014291	P-2014291	P-2014291	4
6.4	Socket Head Cap Screw, M16-2.0x50mm	P-1044604	P-1044604	P-1044604	P-1044604	P-1044604	4
6.5	Nut, Nylock, M16-2.0	P-2029367	P-2029367	P-2029367	P-2029367	P-2029367	4
6.6	Brace	ML9082985000	ML9082985000	ML9082985000	N/A	N/A	1
6.7	Hex Head Cap Screw, M20-2.5x60mm	P-1054226	P-1054226	P-1054226	N/A	N/A	2
6.8	Washer, Flat, M20	P-1044266	P-1044266	P-1044266	N/A	N/A	4
6.9	Nut, Nylock, M20	P-1102727	P-1102727	P-1102727	N/A	N/A	2
7	Rubber Cover, Left Side (Street Side)	P-68483018	P-68483018	P-68483018	P-68483018	P-68483018	1
8	Control M-Board Cover	P-2029906	P-2029906	P-2029906	P-2029906	P-2029906	1
9	Clamp, Control Board Cover	EZ7230	EZ7230	EZ7230	EZ7230	EZ7230	1
10	Control M-Board (PCB), Plus	P-2029091	P-2029091	P-2029091	P-2029091	P-2029091	1
11	Grease Zerk	P-2019653	P-2019653	P-2019653	P-2019653	P-2019653	4
12	Red Cap	P-1191680	P-1191680	P-1191680	P-1191680	P-1191680	4

## 2 Rails

*INTERLIFT Liftgates use galvanized, galvanized, powder coat, paint, zinc, and other finishes on different liftgate models. It is important to specify what type of finish is required for the ordered replacement parts.*

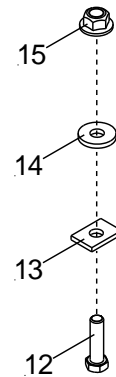
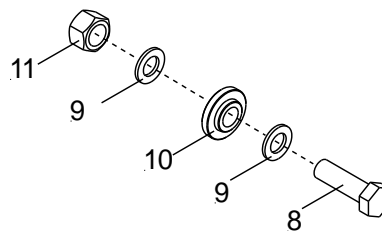
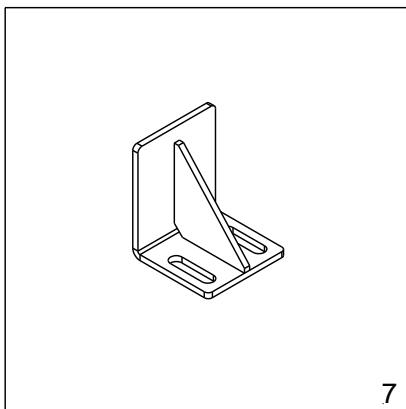
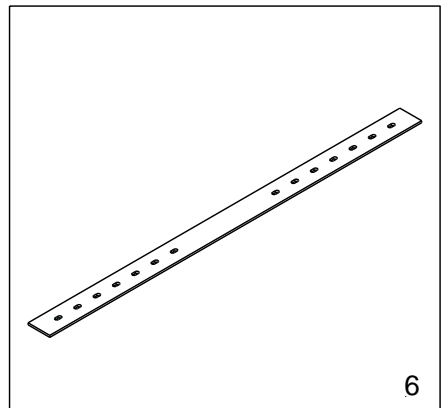
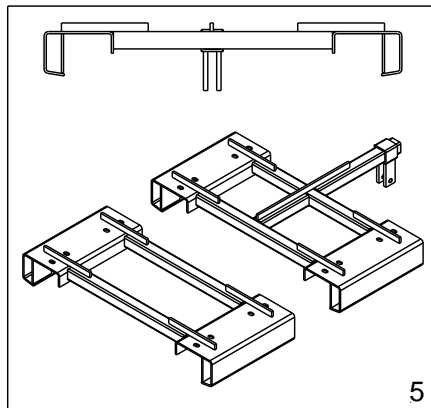
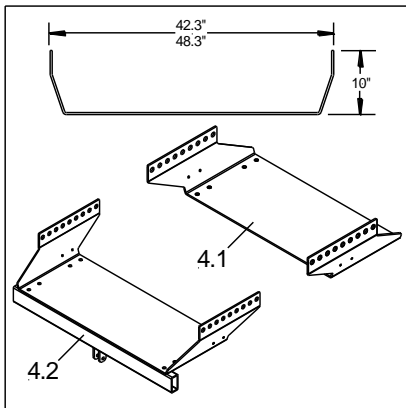
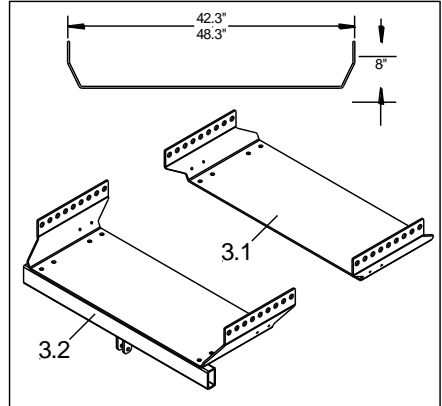
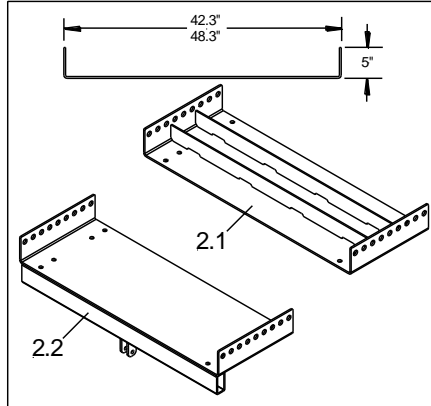
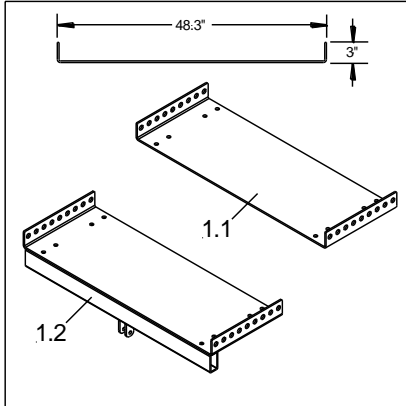




2 - RAILS							
NO.	DESCRIPTION	ILUK 33	ILUK 44	ILUK 55	ILUK 60	ILUK 66	QTY.
1	Slide Rail, Left Side (Driver)	2007528	2007528	2007528	2034262	55-0514-081	1
2	Slide Rail, Right Side (Curb)	2007532	2007532	2007532	2034264	55-0514-081	1
3	Cover, Front, Slide Rails, Aluminum	P-2000599	P-2000599	P-2000599	P-2000599	2000599	2
4	Socket Head Cap Screw, M5x12mm	ML1067867	ML1067867	ML1067867	ML1067867	ML1067867	4
5	Hex Head Cap Screw, M12-1.75x120mm	ML70209179	ML70209179	ML70209179	ML70209179	ML70209179	2
6	Washer, Flat, M12	ML1000549	ML1000549	ML1000549	ML1000549	ML1000549	2
7	Spacer, Sleeve	ML2005312	ML2005312	ML2005312	ML2005312	ML2005312	2
8	Nut, M12	P-1026302	P-1026302	P-1026302	P-1026302	P-1026302	2
9	Stop Block Kit, Slider and Rail	65-7516-100	65-7516-100	65-7516-100	65-7516-100	65-7516-100	1
9.1	Stop Block, Bottom Plate	65-7516-001	65-7516-001	65-7516-001	65-7516-001	65-7516-001	2
9.2	Stop Block, 5/8-18 Threaded, Top Plate	65-7516-000	65-7516-000	65-7516-000	65-7516-000	65-7516-000	2
9.3	Hex Head Cap Screw, 5/8"-18x2-1/2"	ES3798	ES3798	ES3798	ES3798	ES3798	4
10	Hex Head Cap Screw, M16-1.5x 60mm	P-1310247	P-1310247	P-1310247	P-1310247	P-1310247	1
11	Washer, Rectangular, M16	P-2000295	P-2000295	P-2000295	P-2000295	P-2000295	1
12	Nut, Flanged, M16-1.5	P-2020507	P-2020507	P-2020507	P-2020507	P-2020507	1
13	Washer, Flat, M16	P-1310229	P-1310229	P-1310229	P-1310229	P-1310229	1
14	Bracket, Bumper, 102" W,Trailer	RMB-PB1	RMB-PB1	RMB-PB1	RMB-PB1	RMB-PB1	1
	Bracket, Bumper, 96" W,Trailer	RMB-PB1-NRW	RMB-PB1-NRW	RMB-PB1-NRW	RMB-PB1-NRW	RMB-PB1-NRW	1
15	Bumper Kit, UHMW, 5"H	65-7518-300	65-7518-300	65-7518-300	65-7518-300	65-7518-300	2
16	Hex Head Cap Screw, 1/2"-13x3", Gr.5, Zinc	ES3442	ES3442	ES3442	ES3442	ES3442	4
17	Washer, Flat, 1/2, SAE, Gr. 5, Zinc	EK2796	EK2796	EK2796	EK2796	EK2796	8
18	Nut, Nylock, 1/2-13, Gr. 5, Zinc	EM 707	EM 707	EM 707	EM 707	EM 707	4
19	Push Pull Cylinder Bracket Assembly	55-1210-200	55-1210-200	55-1210-200	55-1210-200	55-1210-200	1
20	Rear Slide Rail Cover Kit, Aluminum	55-0518-000	55-0518-000	55-0518-000	55-0518-000	55-0518-000	1
21	Upstop, Platform, Truck	P-1401700	P-1401700	P-1401700	P-1401700	P-1401700	1
22	Decal, Palfinger Logo	P-2032626	P-2032626	P-2032626	P-2032626	P-2032626	1
23	Slide Bar, Stainless Steel	55-1210-302	55-1210-302	55-1210-302	55-1210-302	55-1210-302	1
24	Slide Bar Ring	55-1211-012	55-1211-012	55-1211-012	55-1211-012	55-1211-012	3
25	Oval Connector, 1.75", Threaded Close	EZ6794	EZ6794	EZ6794	EZ6794	EZ6794	3
26	Zip Tie, Nylon, 8"L	EZ7105	EZ7105	EZ7105	EZ7105	EZ7105	3

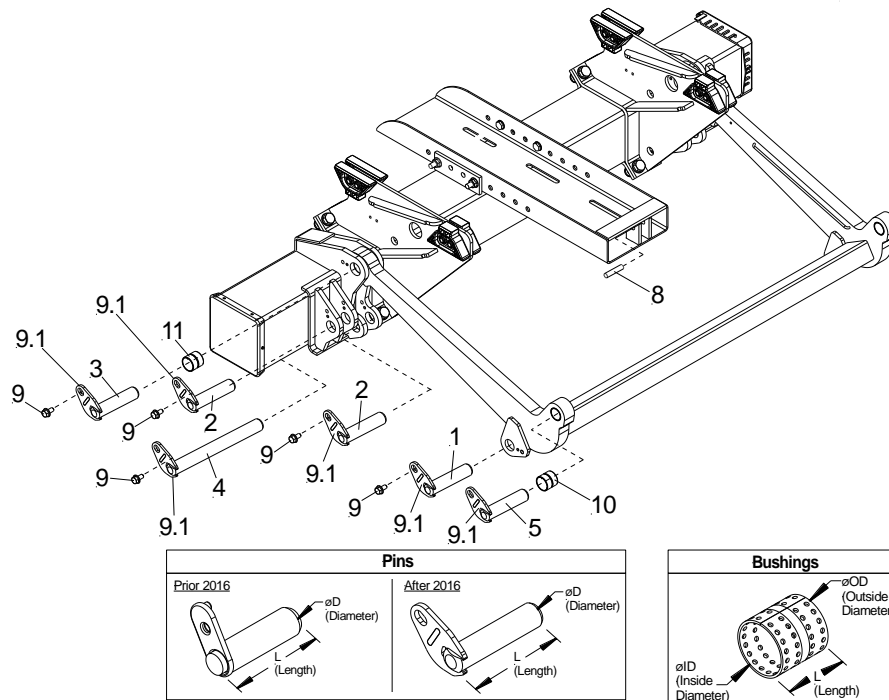
### 3 Rapid Mount Bolt-On

**INTERLIFT Liftgates use galvanized, galvanized, powder coat, paint, zinc, and other finishes on different liftgate models. It is important to specify what type of finish is required for the ordered replacement parts.**



<b>3 – RAPID MOUNT BOLT-ON</b>			
<b>NO.</b>	<b>DESCRIPTION</b>	<b>PART NO.</b>	<b>QTY.</b>
1.1	Rapid Mount Bolt-On (RMB), 3"H x 48.3"W, Trailer	55-1216-002	1
1.2	Rapid Mount Bolt-On (RMB), w/Push Pull, 3"H x 48.3"W, Trailer	55-0519-010	1
2.1	Rapid Mount Bolt-On (RMB), 5"H x 48.3"W, Trailer	55-0519-035	1
	Rapid Mount Bolt-On (RMB), Narrow, 5"H x 42.3"W, Trailer	55-1214-101	1
2.2	Rapid Mount Bolt-On (RMB), w/Push Pull, 5"H x 48.3"W, Trailer	55-0519-030	1
3.1	Rapid Mount Bolt-On (RMB), 8"H x 48.3"W, Trailer	55-1211-302	1
	Rapid Mount Bolt-On (RMB), Narrow, 8"H x 42.3"W, Trailer	55-0514-001	1
3.2	Rapid Mount Bolt-On (RMB), w/Push Pull, 8"H x 48.3"W, Trailer	55-0519-050	1
	Rapid Mount Bolt-On (RMB), Narrow, w/Push Pull, 8"H x 42.3"W, Trailer	55-0519-040	1
4.1	Rapid Mount Bolt-On (RMB), 10"H x 48.3"W, Trailer	55-0514-003	1
	Rapid Mount Bolt-On (RMB), Narrow, 10"H x 42.3"W, Trailer	55-0514-103	1
4.2	Rapid Mount Bolt-On (RMB), w/Push Pull, 10"H x 48.3"W, Trailer	55-0519-070	1
	Rapid Mount Bolt-On (RMB), Narrow, w/Push Pull, 10"H x 42.3"W, Trailer	55-0519-060	1
5	Rapid Mount Weld-On, Low Mount Kit, Trailer	06-0517-014	1
6	Rapid Mount Weld-On, Ultra Low Mount, Trailer	3-00084	2
7	Rapid Mount Weld-On, Mount Bracket, Truck	55-1211-430	6
8	Hex Head Cap Screw, M24-3.0x80mm, Gr 8.8, Zinc	ES 693	10
9	Washer, Flat, M24	EK3215	20
10	Spacer, Bolt-On	55-1211-111	10
11	Nut, Nylock, M24-3.0	EM 706	10
12	Hex Head Cap Screw, M16-1.5 x 60mm, ST 10.9	P-1310247	8
13	Washer, Rectangular, M16	P-2000295	8
14	Washer, Flat, M16	P-1310229	8
15	Nut, Flanged, M16-1.5	P-2020507	8

## 4 Pins & Bushings

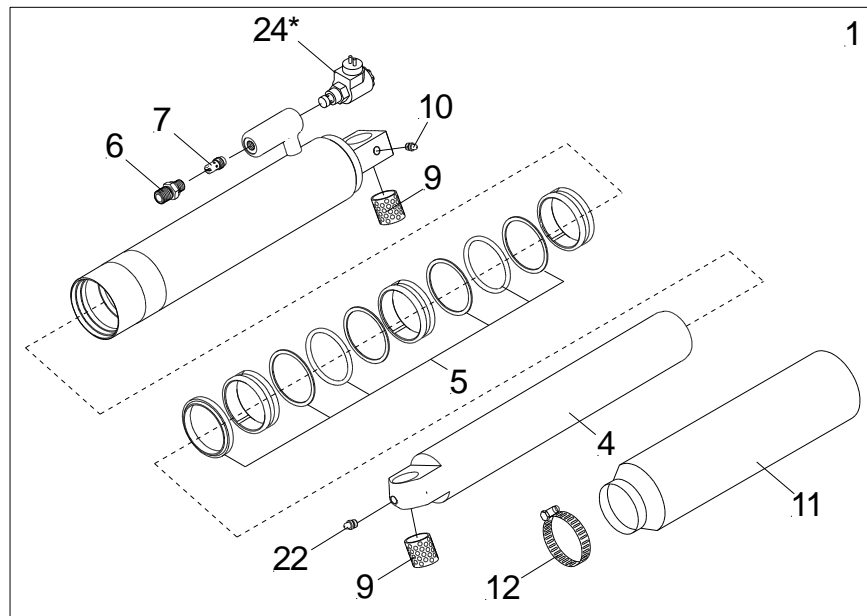


4 – PINS AND BUSHING							
NO.	DESCRIPTION	ILUK 33	ILUK 44	ILUK 55	ILUK 60	ILUK 66	QTY.
<b>PINS</b>							
1	Pin lift arm, lift cylinder	P-1326307	P-1350394	P-1350394	P-1331371	P-1331371	2
	Pin lift arm, lift cylinder (After 2016)	2039537	2039099	2039099	2039108	2039108	2
2	Pin tube, tilt cylinders	P-1326307	P-1350394	P-1350394	P-1331371	P-1329586	2
	Pin tube, tilt cylinders (After 2016)	2039537	2039099	2039099	2039108	2039110	4
3	Pin tube, lift arm	P-1350394	P-1331371	P-1331371	P-1331380	P-1331380	2
	Pin tube, lift arm (After 2016)	2039099	2039108	2039108	2039118	2039118	2
4	Pin tube, cylinders (700 liftarm)	N/A	P-1358176	P-1358176	N/A	N/A	2
	Pin tube, cylinders (700 liftarm) After '16	N/A	2039105	2039105	N/A	N/A	2
5	Pin platform, lift arm	P-1335280	P-1350858	P-1350858	P-1329595	P-1329586	2
	Pin platform, lift arm (After 2016)	2039538	2039101	2039101	2036464	2039108	2
6	Pin without ground roller	P-1354169	P-1358176	P-1358176	P-1329595	P-1329595	2
	Pin without ground roller (After 2016)	2036460	2039105	2039105	2036464	2036464	2
7	Pin incl. ground roller kit	P-1354156	P-1358181	P-1358181	P-1348000	P-1348000	2
	Pin incl. ground roller kit (After 2016)	2039391	2039126	2039126	1348000	N/A	2
8	Pin tray, push-pull cylinder	P-1330089	P-1330089	P-1330089	P-1330089	P-1330089	1
9	Bolt, pin lock	P-2009212	P-2009212	P-2009212	P-2009212	P-2009212	4
	Bolt, pin lock (After 2016), M12X16	2039050	2039050	2039050	2039050	2039050	4
9.1	Pin Plate	2027558	2027558	2027558	2027558	2027558	2
<b>BUSHINGS</b>							
10	Bushing lift arm-platform	ELG1036	ELG1033	ELG1033	ELG1128	ELG1128	2
11	Bushing lift arm-tube	ELG1037	ELG1128	ELG1128	ELG1127	ELG1127	2
<b>KITS</b>							
12	Pin Kit	P-2021585	P-2021584	P-2021583	P-2021582	P-2021582	1
13	Bushing kit, complete	P-1407084	P-1407088	P-1407088	P-1407087	P-1407087	1

Palfinger Interlift, LLC.  
 15939 Piuma Ave, Cerritos, CA 90703  
 Tel: (888) 774-5844, Fax: (562) 924-8318

Palfinger Interlift, LLC.  
 572 Whitehead Road, Trenton, NJ 08619  
 Tel: (609) 587-4200, Fax: (609) 587-4201

## 5 Lift Cylinder

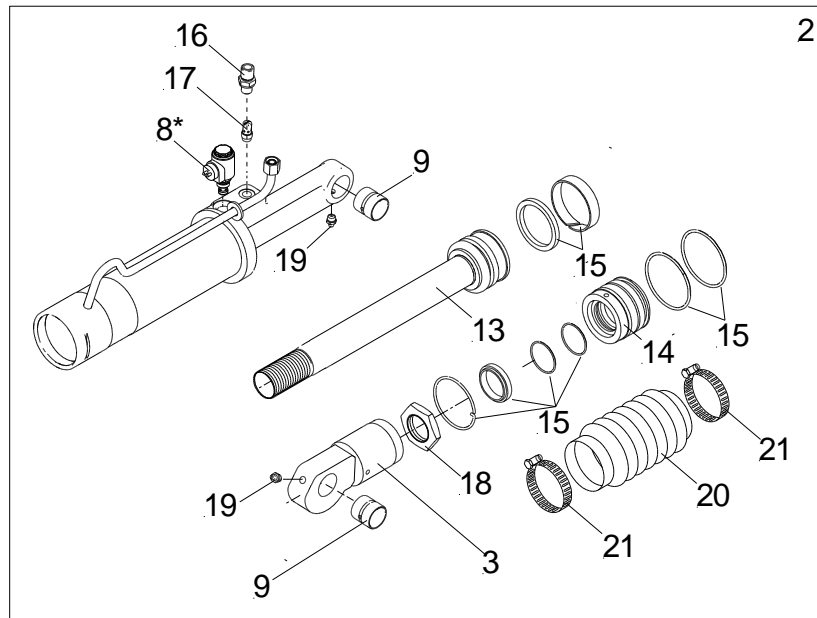


5 – LIFT CYLINDER							
	<i>Piston Rod Diameter – Lift</i>	<i>55mm (2-1/4")</i>	<i>70mm (2-3/4")</i>		<i>75mm (3")</i>		
NO.	DESCRIPTION	ILUK 33	ILUK 44	ILUK 55	ILUK 60	ILUK 66	QTY.
<b>700mm Liftarm (27.5")</b>							
1	Lift Cylinder Without Release Valve	P-1343854	P-1402453	P-1402453	N/A	N/A	1
<b>800mm Liftarm (31.5")</b>							
1	Lift Cylinder w/o Release Valve	P-1343854	P-1350167	P-1350167	N/A	N/A	1
	Lift Cylinder w/o Rel. Valv, (After 06)	N/A	P-2004093	P-2004093	N/A	N/A	1
<b>900mm Liftarm (35.5")</b>							
1	Lift Cylinder Without Release Valve	N/A	N/A	N/A	P-1325196	P-1325196	1
4	Piston Rod ( 800-900 Lift Arm)	P-1401503	P-1403799	P-1403799	P-1403800	P-1403800	1
	Piston Rod (Only 700 Lift Arm)	N/A	P-1404499	P-1404499	N/A	N/A	1
5	Rebuild Kit (800-900 Lift Arm)	P-2005323	P-2021847	P-2021847	P-1403797	P-2021845	1
	Rebuild Kit (Only 700 Lift Arm)	P-2005323	P-2021847	P-2021847	N/A	N/A	1
6	Adapter 1/4 X 10L, Hose Fitting	EA6236	EA6236	EA6236	EA6236	EA6236	1
7	Restrictor Control Valve (800-1000)	P-1355942	P-1363828	P-1363828	P-1325551	P-1325551	1
	Restrictor Control Valve (Only 700)	P-1355942	P-1325551	P-1325551	N/A	N/A	1
9	Bushing	ELG1039	ELG1039	ELG1039	ELG1039	ELG1039	1
10	Grease Zerk	P-2019653	P-2019653	P-2019653	EA-005	P-2019653	1
11	Sleeve - Lift Cylinder	P-1099010	P-1098362	P-1098362	P-2022134	N/A	1
12	Clamp	P-68430828	P-68734258	P-68734258	P-2018594	N/A	1
22	Grease Zerk	P-2019653	P-2019653	P-2019653	P-2019653	P-2019653	1
24*	Double Locking Valve, 12V	P-1284466	P-1284466	P-1284466	P-1284466	P-1284466	1

**\*Items 1 and 2 do not include Items 8 and 24 (Release Valve). Release Valve is sold separately.**

## 6 Tilt Cylinder

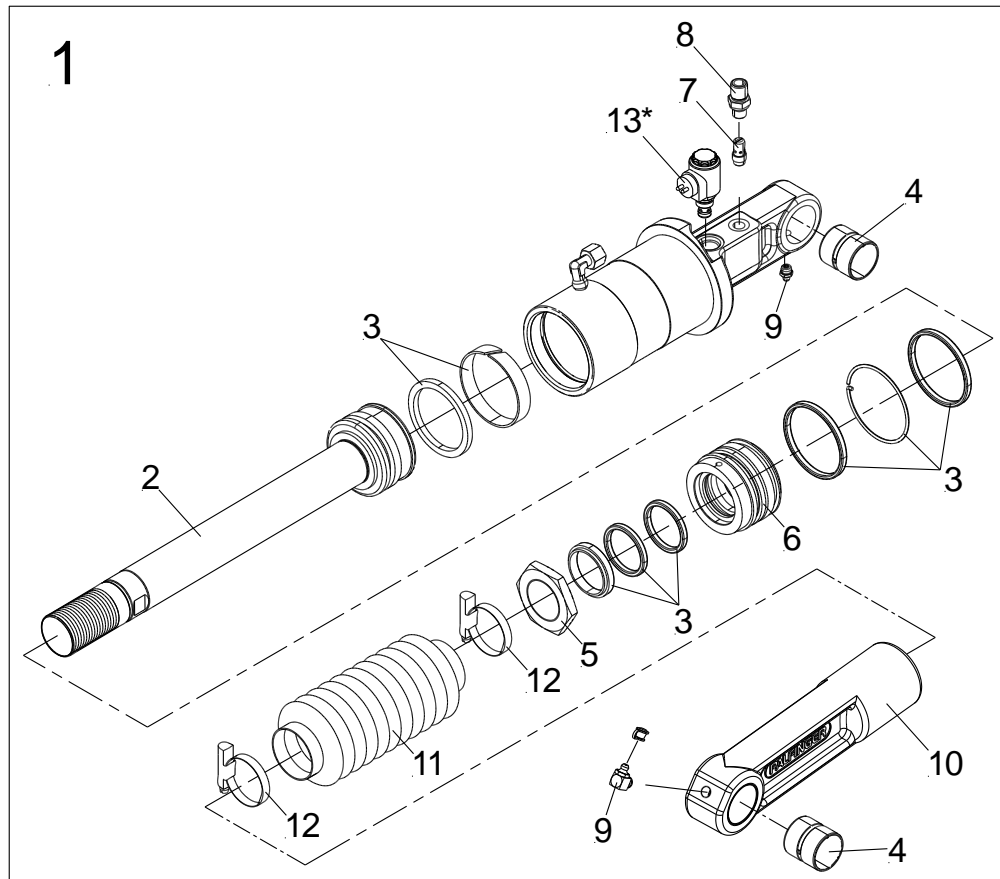
### 6.1 Tilt Cylinder



6 – TILT CYLINDER							
	<i>Piston Rod Diameter – Tilt</i>	<i>40mm (1-</i>	<i>45mm (1-3/4")</i>		<i>50mm (2")</i>		
NO.	DESCRIPTION	ILUK 33	ILUK 44	ILUK 55	ILUK 60	ILUK 66	QTY.
	<b>700mm Liftarm (27.5")</b>						
2	Tilt Cylinder Without Release Valve	P-1366286	P-1404498	P-1404498	N/A	N/A	1
3	Adjusting Head (6 1/2" ; 6 1/4")	P-1355064	P-1402880	P-1402880	N/A	N/A	1
	<b>800mm Liftarm (31.5")</b>						
2	Tilt Cylinder Without Release Valve	P-1366295	P-1403789	P-1403789	N/A	N/A	1
3	Adjusting Head (10 1/4" ; 10 1/2")	P-1326370	P-1350050	P-1350050	N/A	N/A	1
	<b>900mm Liftarm (35.5")</b>						
2	Tilt Cylinder Without Release Valve	N/A	N/A	N/A	P-2033888	P-2015181	1
3	Adjusting Head (12")	N/A	N/A	N/A	P-1408433	P-1408433	1
8*	Release Valve 12V	P-67282345	P-67282345	P-67282345	P-67282345	P-67282345	1
9	Bushing	P-1403367	P-1403363	P-1403363	P-1403362	P-1403362	1
13	Piston Rod For Tilt Cylinder	P-2000878	P-1410866	P-1410866	P-1408445	P-1408445	1
14	End Plug	P-68274001	P-68813557	P-68813557	P-1324920	P-1324920	1
15	Rebuild Kit - <i>Tilt Cylinder</i>	P-1330674	P-1330683	P-1330683	P-1404524	P-1404524	1
16	Adaptor / Hose Fitting	P-1188263	P-1188263	P-1188263	P-1188263	P-1188263	1
17	Restrictor Control Valve	P-1355942	P-1325551	P-1325551	P-1346112	P-1346112	1
18	Lock Nut For Tilt Cylinder	P-67265408	P-71597563	P-71597563	P-1324957	P-1324957	1
19	Grease Zerk	P-2019653	P-2019653	P-2019653	P-2019653	P-2019653	1
20	Rubber Bellows	P-67259238	P-68724546	P-68724546	P-2024306	P-2024306	2
21	Clamp	P-68430828	P-68734258	P-68734258	P-68734258	N/A	1

\*Items 1 and 2 do not include Items 8 and 24 (Release Valve). Release Valve is sold separately.

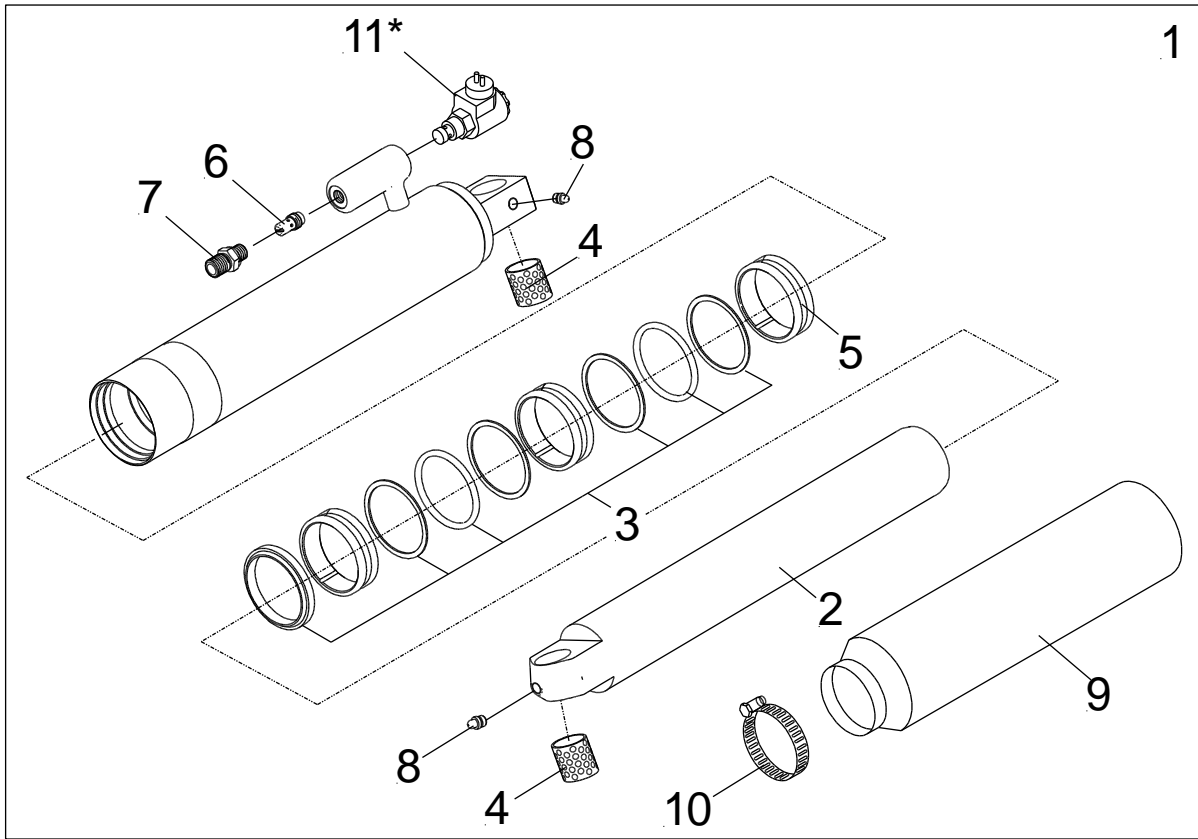
**6.2 Tilt Cylinder – Short**



5.1 Tilt Cylinder - Short							
No.	Description	Piston Rod Diameter – Tilt Cylinder					Qty.
		ILUK 33	ILUK 44	45mm (1-3/4")		ILUK 60	
1	Tilt Cylinder Kit, Adj. Head, Bellows, Clamps	N/A	ML2038862	ML2038862	N/A	N/A	1
1.1	Tilt Cylinder, No Adj Head	N/A	P-2017211	P-2017211	N/A	N/A	1
2	Piston Rod	N/A	P-1410866	P-1410866	N/A	N/A	1
3	Rebuild Kit, Dia. 45mm	N/A	P-1330683	P-1330683	N/A	N/A	1
4	Bushing, 36mmx40mmx41mm	N/A	P-1403363	P-1403363	N/A	N/A	2
5	Nut, M44x2	N/A	P-71597563	P-71597563	N/A	N/A	1
6	End Plug	N/A	P-68813557	P-68813557	N/A	N/A	1
7	Restrictor, 2.1mm, (No.6)	N/A	P-1325551	P-1325551	N/A	N/A	1
8	Adapter, 1/4 X 10L Hose Fitting	N/A	EA6236	EA6236	N/A	N/A	1
9	Grease Zerk, M10X1mm, 90°	N/A	EA-023	EA-023	N/A	N/A	2
10	Adjusting Head, Cast	N/A	ML2037156	ML2037156	N/A	N/A	1
	Adjusting Head, Weld	N/A	P-1350050	P-1350050	N/A	N/A	1
11	Bellows	N/A	P-68724546	P-68724546	N/A	N/A	1
12	Clamp	N/A	P-68430828	P-68430828	N/A	N/A	1
	Clamp	N/A	P-68734258	P-68734258	N/A	N/A	1
13*	Release Valve 12V	N/A	P-67282345	P-67282345	N/A	N/A	1

**\*Item 1 does not include Item 13 (Release Valve). Release Valve is sold separately.**

**6.3 Lift Cylinder – Short (As of June 2009)**



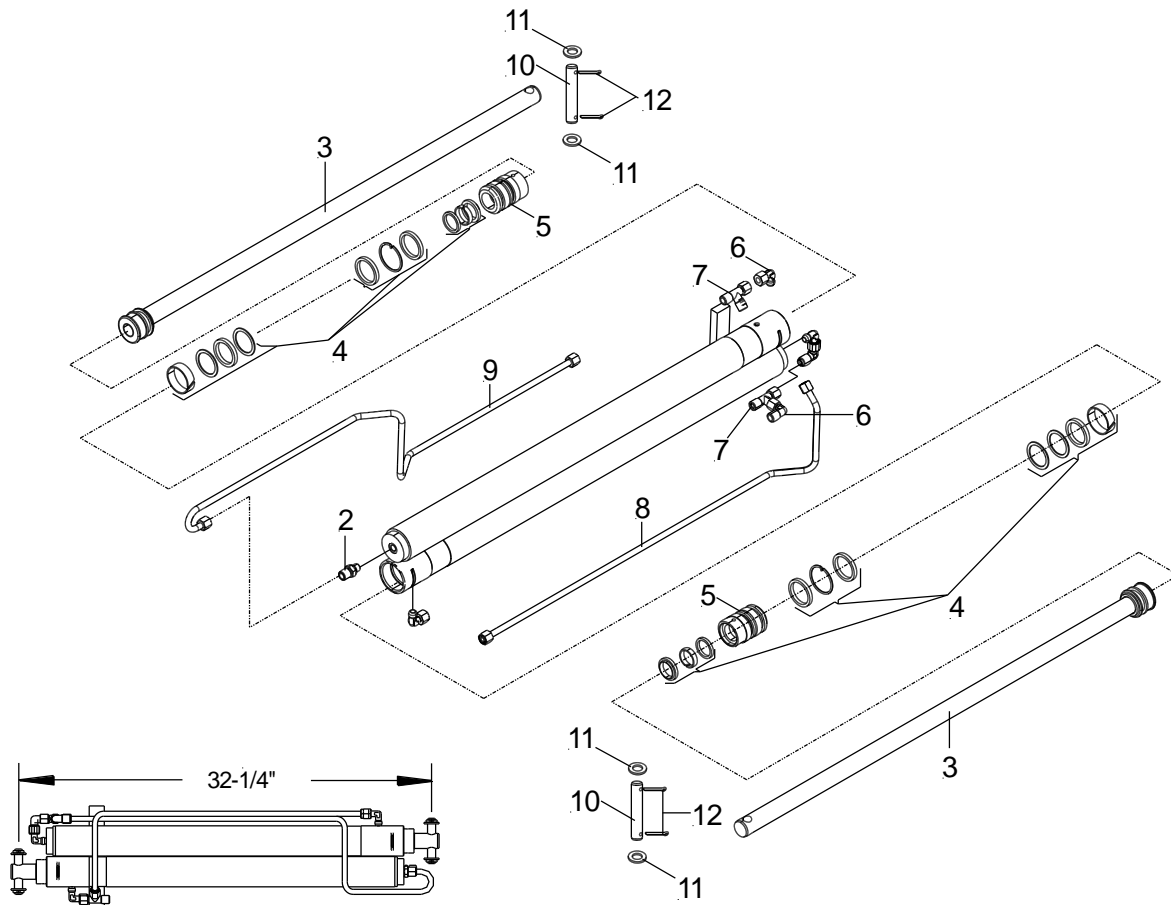
5.2 Lift Cylinder - Short							
Piston Rod Diameter – Lift Cylinder		70mm (2-3/4")					
No.	Description	ILUK 33	ILUK 44	ILUK 55	ILUK 60	ILUK 66	Qty.
1	Tilt Cylinder Without Release Valve	N/A	P-2004093	P-2004093	N/A	N/A	1
2	Piston Rod	N/A	P-2004096	P-2004096	N/A	N/A	1
3	Rebuild Kit	N/A	P-2005093	P-2005093	N/A	N/A	1
4	Bushing, 36mmx40mmx41mm	N/A	P-1403363	P-1403363	N/A	N/A	2
5	Guide Ring, Lift Cyl., 70mmx21	N/A	P-1098371	P-1098371	N/A	N/A	1
6	Flow Control Valve, 4 L/Min.	N/A	P-1363828	P-1363828	N/A	N/A	1
7	Adapter, 1/4 X 10L, Hose Fitting	N/A	EA6236	EA6236	N/A	N/A	1
8	Grease Zerk, M10X1	N/A	P-2019653	P-2019653	N/A	N/A	1
9	Bellows, Rubber, Lift Cylinder	N/A	P-1098362	P-1098362	N/A	N/A	1
10	Clamp, 60-80/9	N/A	P-68734258	P-68734258	N/A	N/A	1
11*	Valve, Release, 12V, Double Locking	N/A	P-1284466	P-1284466	N/A	N/A	1

**\*Item 1 does not include Items 11 (Release Valve). Release Valve is sold separately.**



## 7 Push Pull Cylinders

### 7.1 Push Pull Cylinder – 600mm

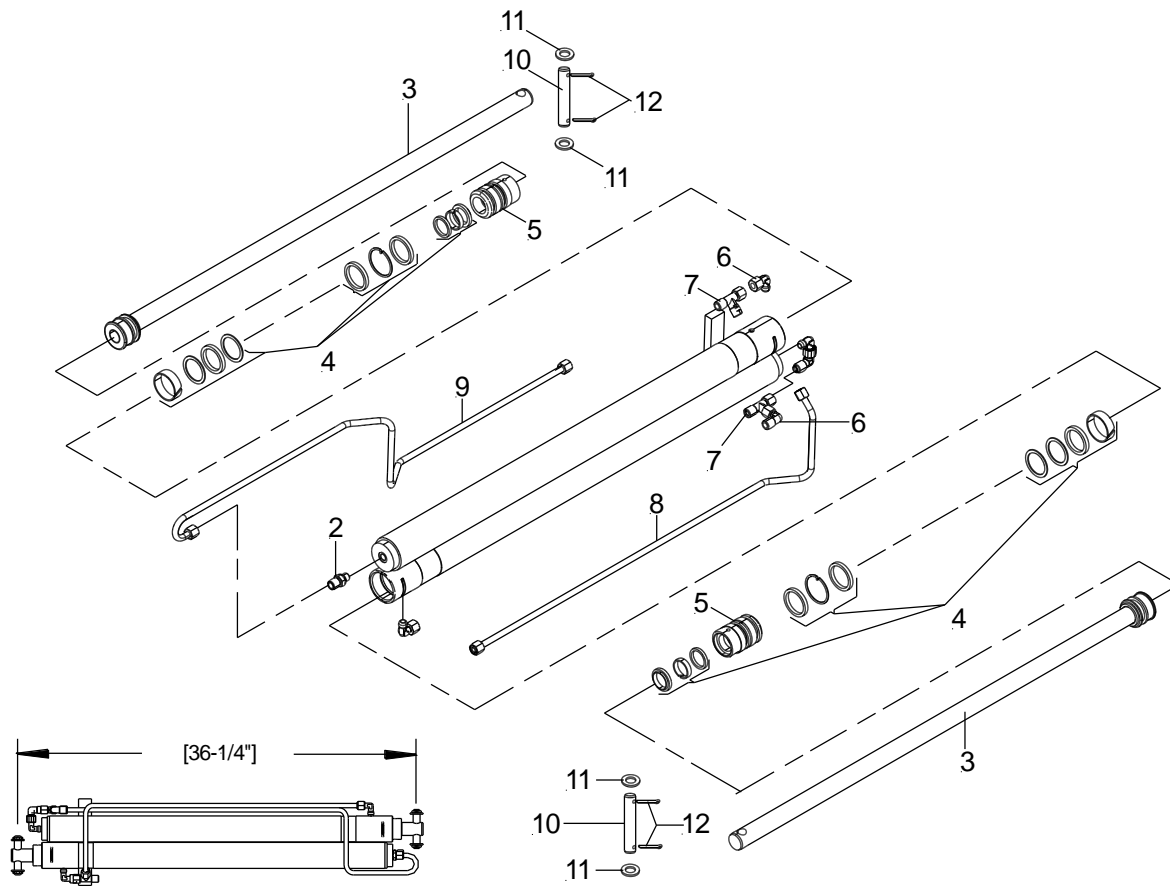


6.1 PUSH PULL CYLINDER – 600MM							
No.	Description	ILUK 33	ILUK 44	ILUK 55	ILUK 60	ILUK 66	Qty.
1	Push Pull Cylinder Assembly, 2x600mm	P-1407997	P-1407997	P-1407997	N/A	N/A	1
2	Adapter, 1/4 X 10L, Hose Fitting	EA6236	EA6236	EA6236	N/A	N/A	1
3	Piston Rod Sliding Cylinder 2x600mm	P-1408947	P-1408947	P-1408947	N/A	N/A	1
4	Rebuild Kit	P-1330763	P-1330763	P-1330763	N/A	N/A	1
5	End Plug	P-1402032	P-1402032	P-1402032	N/A	N/A	1
6	Elbow Fitting, 90°, 10L to 10L	P-1232266	P-1232266	P-1232266	N/A	N/A	1
7	Fitting, Tee	P-1111075	P-1111075	P-1111075	N/A	N/A	1
8	Pipe, 544mm	P-1407989	P-1407989	P-1407989	N/A	N/A	1
9	Pipe, 732mm	P-1407990	P-1407990	P-1407990	N/A	N/A	1
10	Pin, 11mmx90mm	P-1330089	P-1330089	P-1330089	N/A	N/A	1
11	Washer, 17mm	P-1000696	P-1000696	P-1000696	N/A	N/A	1
12	Cotter Pin, 5x32mm	ML1001235	ML1001235	ML1001235	N/A	N/A	1

Palfinger Interlift, LLC.  
 15939 Piuma Ave, Cerritos, CA 90703  
 Tel: (888) 774-5844, Fax: (562) 924-8318

Palfinger Interlift, LLC.  
 572 Whitehead Road, Trenton, NJ 08619  
 Tel: (609) 587-4200, Fax: (609) 587-4201

**7.2 Push Pull Cylinder – 700mm**

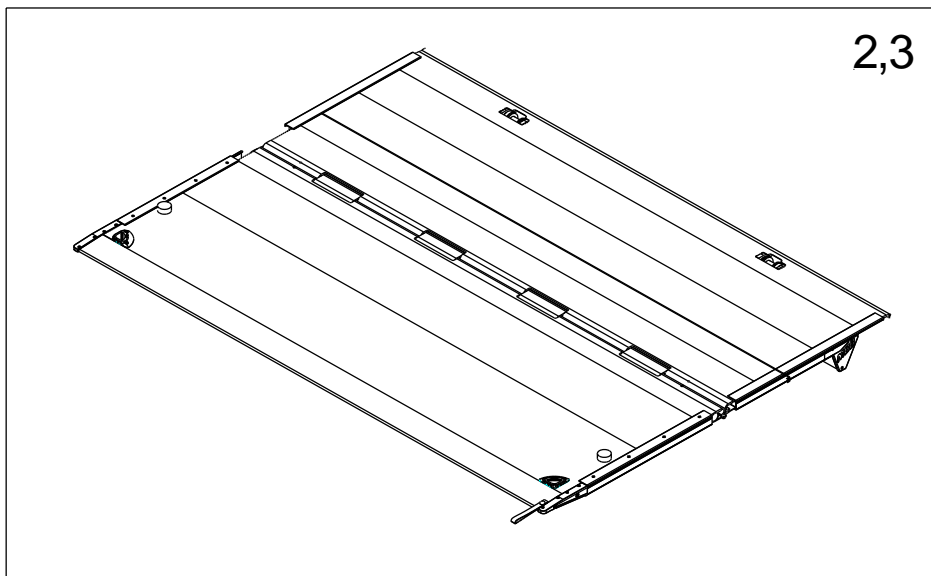
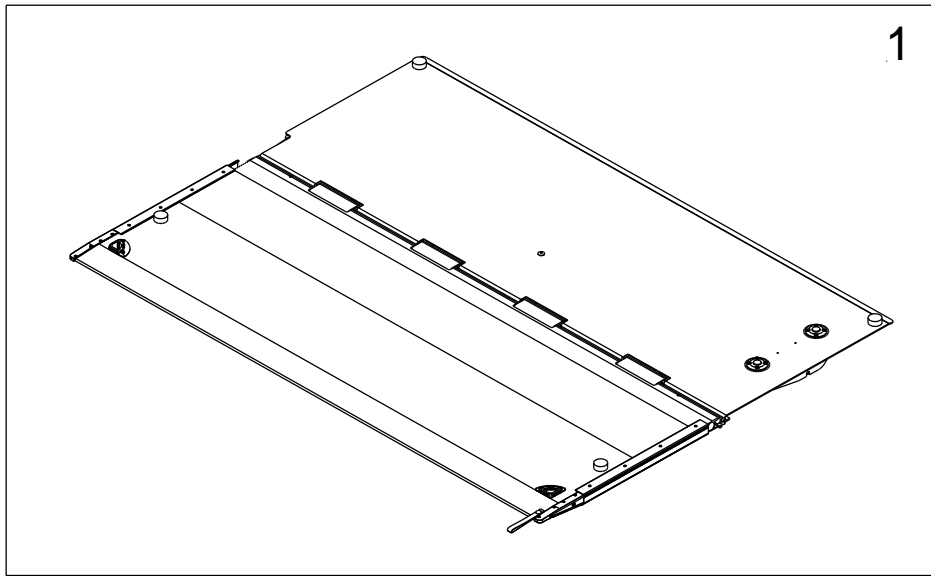


6.2 Push Pull Cylinder – 700mm							
No.	Description	ILUK 33	ILUK 44	ILUK 55	ILUK 60	ILUK 66	Qty.
1	Push Pull Cylinder Assembly 2x700mm	N/A	P-1408003	P-1408003	P-1408003	P-1408003	1
2	Straight Connector	N/A	EA6236	EA6236	EA6236	EA6236	1
3	Piston Rod Sliding Cylinder 2x700mm	N/A	ML1408948	ML1408948	ML1408948	ML1408948	1
4	Rebuild Kit	N/A	P-1330763	P-1330763	P-1330763	P-1330763	1
5	End Plug	N/A	P-1402032	P-1402032	P-1402032	P-1402032	1
6	Elbow Fitting, 90°, 10L to 10L	N/A	P-1232266	P-1232266	P-1232266	P-1232266	1
7	Fitting, Tee	N/A	P-1111075	P-1111075	P-1111075	P-1111075	1
8	Pipe, 644mm	N/A	P-1407999	P-1407999	P-1407999	P-1407999	1
9	Pipe, 822mm	N/A	P-1407998	P-1407998	P-1407998	P-1407998	1
10	Pin, 11mmx90mm	N/A	P-1330089	P-1330089	P-1330089	P-1330089	1
11	Washer, 17mm	N/A	P-1000696	P-1000696	P-1000696	P-1000696	1
12	Cotter Pin, 5x32mm	N/A	ML1001235	ML1001235	ML1001235	ML1001235	1

Palfinger Interlift, LLC.  
 15939 Piuma Ave, Cerritos, CA 90703  
 Tel: (888) 774-5844, Fax: (562) 924-8318

Palfinger Interlift, LLC.  
 572 Whitehead Road, Trenton, NJ 08619  
 Tel: (609) 587-4200, Fax: (609) 587-4201

**8 Platform Assemblies**

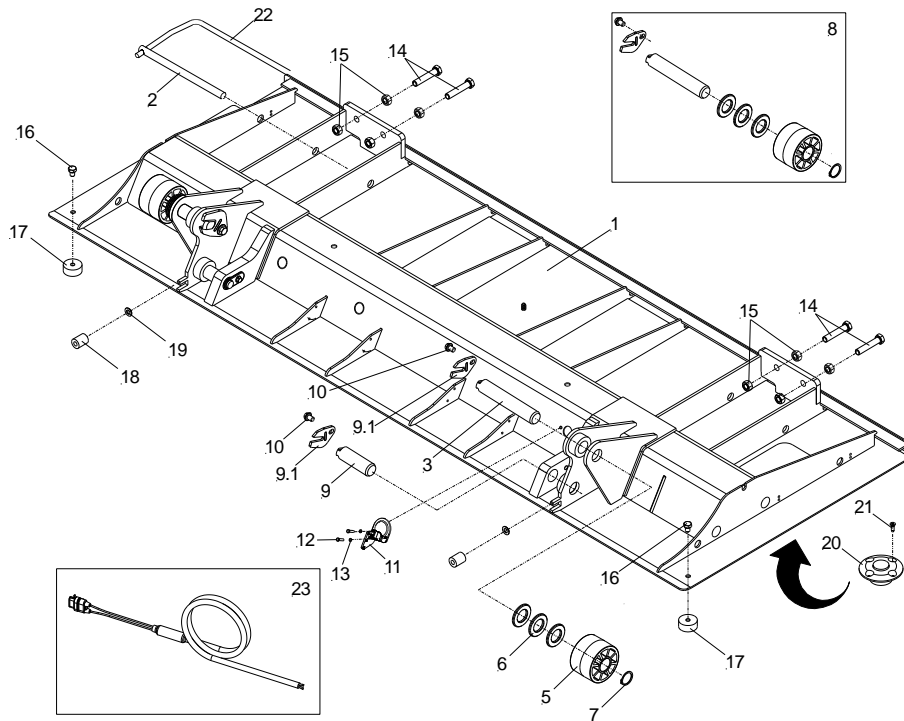


7 – PLATFORM ASSEMBLIES							
No.	Description	ILUK 33	ILUK 44	ILUK 55	ILUK 60	ILUK 66	Qty.
1	Platform Assembly, Steel Main/Alum. Tip, 74"x94"	4PU3372	N/A	N/A	N/A	N/A	1
	Platform Assembly, Steel Main/Alum. Tip, 82"x94"	N/A	N/A	N/A	N/A	On Request	1
2	Platform Assembly, Alu. Main/Alum. Tip, 74"x94"	4PU3372A/A	4PU4472777	4PU4472777	N/A	N/A	1
3	Platform Assembly, Alu. Main/Alum. Tip, 82"x94"	N/A	4PU4480	4PU4480	4PU6082	N/A	1

Palfinger Interlift, LLC.  
 15939 Piuma Ave, Cerritos, CA 90703  
 Tel: (888) 774-5844, Fax: (562) 924-8318

Palfinger Interlift, LLC.  
 572 Whitehead Road, Trenton, NJ 08619  
 Tel: (609) 587-4200, Fax: (609) 587-4201

**9 Steel Platform - Main**



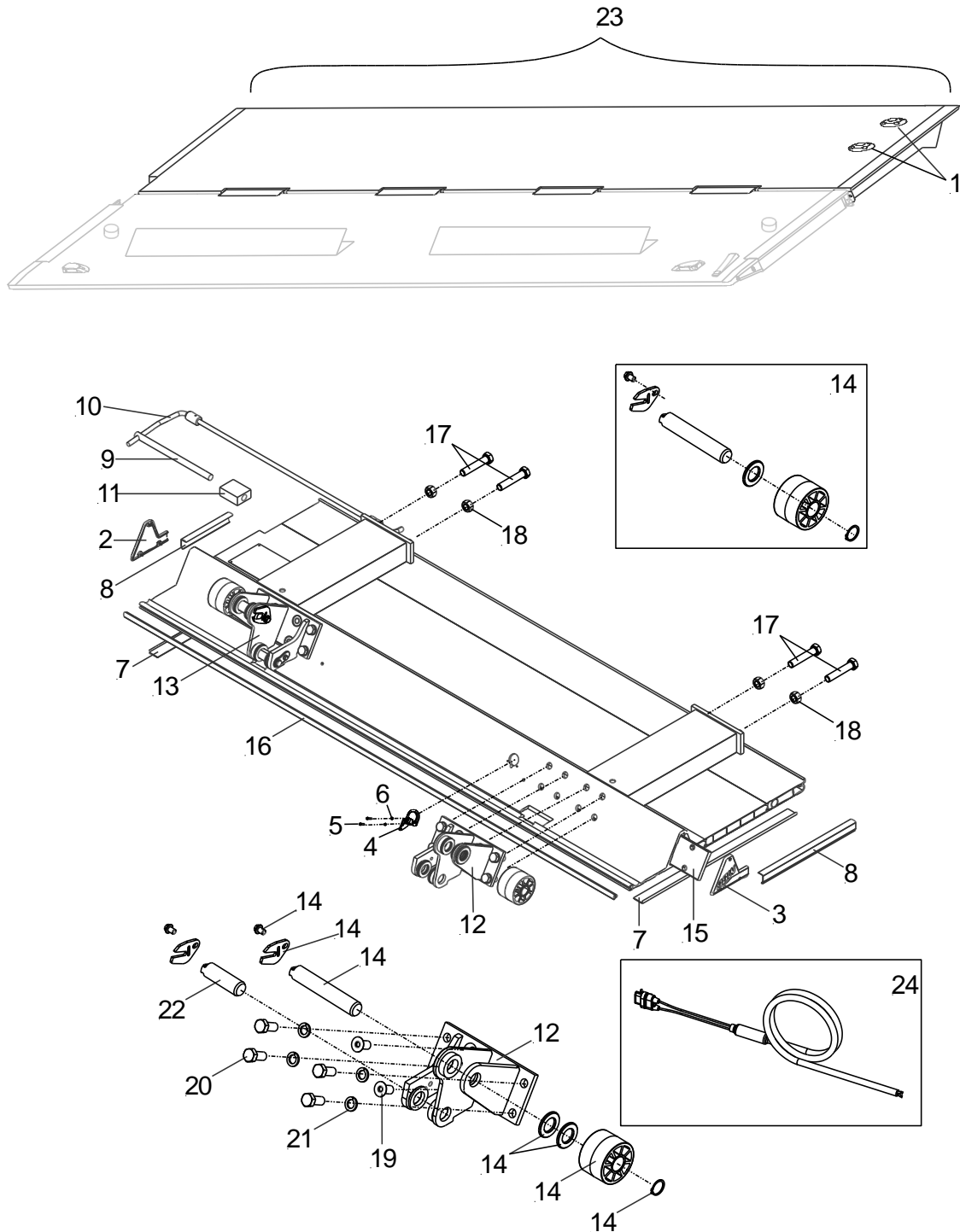
9 – STEEL PLATFORM (MAIN)							
No.	Description	ILUK 33	ILUK 44	ILUK 55	ILUK 60	ILUK 66	Qty.
1	Main Assembly, Steel	ML2014244	N/A	N/A	N/A	On Request	1
2	Torsion Bar Retainer Pin, 22mmX360mm	ML9083174015	N/A	N/A	N/A	*1402792	1
3	Pin, Ground Roller	2036460	N/A	N/A	N/A	P-1329595	1
5	Plastic Wheel	P-1115195	N/A	N/A	N/A	P-1332089	1
6	Washer, Flat	EK1090	N/A	N/A	N/A	P-66152901	1
7	Retaining Ring	EQ 347	N/A	N/A	N/A	P-10280062	1
8	Ground Roller Kit	P-2013926	N/A	N/A	N/A	P-1348000	1
	Ground Roller Kit (After 2016)	ML2044579	N/A	N/A	N/A	On Request	1
9	Pin, Liftarm	P-1350858	N/A	N/A	N/A	--	1
	Pin, Liftarm (After 2016)	2039538	N/A	N/A	N/A	--	1
9.1	Pin Plate	2028340	N/A	N/A	N/A	ES1451	1
10	Bolt, Pin Lock, M8x16MM	P-2009212	N/A	N/A	N/A	--	1
	Bolt, Pin Lock, M12x16MM (After 2016)	2039050	N/A	N/A	N/A	--	1
11	Cover, Plastic, B-15	P-2019337	N/A	N/A	N/A	P-2019337	1
12	Hex Head Cap Screw, M5x16mm	ML66783375	N/A	N/A	N/A	ML66783375	1
13	Washer, Flat, M5	ML1031885	N/A	N/A	N/A	ML1031885	1
14	Bolt, M16-2.0X80mm, St8.8, DIN 933	2005050	N/A	N/A	N/A	2005050	1
15	Nut, M16x2x13mm, Gr 8.8, Zinc	P-1026311	N/A	N/A	N/A	P-1026311	1
16	Hex Head Cap Screw, M16 x 16mm	ML2001942	N/A	N/A	N/A	ML2001942	1
17	Rubber Bumper	60-7514-002	N/A	N/A	N/A	60-7514-002	1
18	Nylon Stop, 12X28X35MM	ELG1051	N/A	N/A	N/A	ELG1051	1
19	Washer, Flat, M13	P-66527476	N/A	N/A	N/A	P-66527476	1
20	Foot Control Pad	P-1330945	N/A	N/A	N/A	P-1330945	1
21	Flat Head Screw, M5x16mm	1400172	N/A	N/A	N/A	1400172	1
22	Torsion Bar, 14.7mm x 1330mm	P-9083175129	N/A	N/A	N/A	--	1
23	Cable, J-3 to Warn LT, Platform	P-1359179	N/A	N/A	N/A	P-1359179	1

\* ILUK 66 comes w/o torsion bar and has a gas spring instead

Palfinger Interlift, LLC.  
 15939 Piuma Ave, Cerritos, CA 90703  
 Tel: (888) 774-5844, Fax: (562) 924-8318

Palfinger Interlift, LLC.  
 572 Whitehead Road, Trenton, NJ 08619  
 Tel: (609) 587-4200, Fax: (609) 587-4201

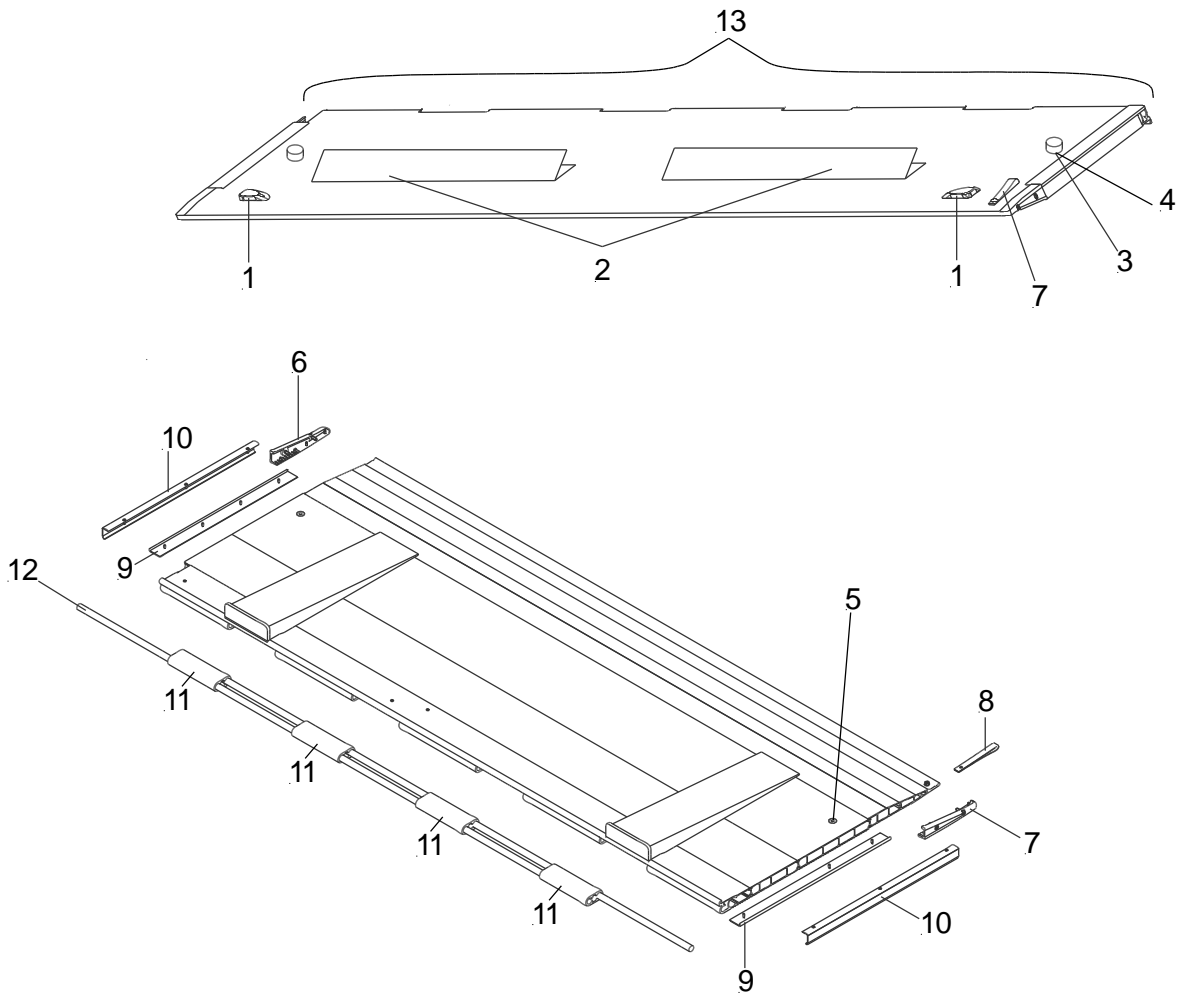
### 10 Aluminum Platform – Main



10 – ALUMINUM PLATFORM (MAIN)					
NO.	DESCRIPTION	ILK 33	ILK 44	ILK 55	QTY.
1	Button Foot Control	P-1405256	1405256	1405256	1
2	Cap,Right,Plastic	P-9083227000	P-9083227000	P-9083227000	1
3	Cap, Left,Plastic	P-9083228000	P-9083228000	P-9083228000	1
4	Sensor Bracket	P-2019337	P-2019337	P-2019337	1
5	Hex Head Cap Screw, M5-0,8x16mm	P-66783375	P-66783375	P-66783375	1
6	Washer, Flat, M5	P-1031885	P-1031885	P-1031885	1
7	Side Profile Top Cover	P-1244631	P-1244631	P-1244631	1
8	Side Profile Cap	P-9832521700	P-9832521700	P-9832521700	1
9	Pin, $\varnothing$ 32x300mm (Prior 2019)	P-9000000064	P-9000000064	P-9000000064	1
	Pin, $\varnothing$ 1.06x11.8" (As of 2019)	99-8819-100	99-8819-100	99-8819-100	1
10	Torsion Spring	P-9083175090	P-9083175090	P-9083175090	1
11	Block, Torsion Spring	P-9083177000	P-9083177000	P-9083177000	1
12	Clevis, Right	P-1036871	P-2026952	P-2026952	1
13	Clevis, Left	P-1036880	P-2026953	P-2026953	1
14	Ground Roller Kit	P-2044579	ML2044583	ML2044583	1
	Ground Roller Kit (After 2016)	P-2039391	P-2039126	P-2039126	1
15	Threaded Plate	P-1036915	N/A	N/A	1
16	Rubber Bumper	P-2032897	P-2032897	P-2032897	1
17	Hex Head Cap Screw, M16 – 2,0x80mm	P-2005050	P-2005050	P-2005050	1
18	Nut, M16 - 2.0	ML1026311	ML1026311	ML1026311	1
19	Socket Head Cap Screw, M20-2,5x40mm	ML1333142	ML1333142	ML1333142	1
20	Hex Head Cap Screw, M20-2,5x45mm	ML1125300	ML1125300	ML1125300	1
21	Washer, Split, M20	ML1125319	ML1125319	ML1125319	1
22	Pin, Liftarm	ML1350858	ML1350858	ML1350858	1
23	Platform Main Assy, Alum, (For 74" Platform)	--	21-0518-101	21-0518-101	1
	Platform Main Assy, Alum, (For 82" Platform)	--	21-0518-102	21-0518-102	1
24	Cable, J-3 to Warn LT, Platform	P-1359179	P-1359179	P-1359179	1

**Platform Design not available for ILUK 60, see ILUK 60 Platform**

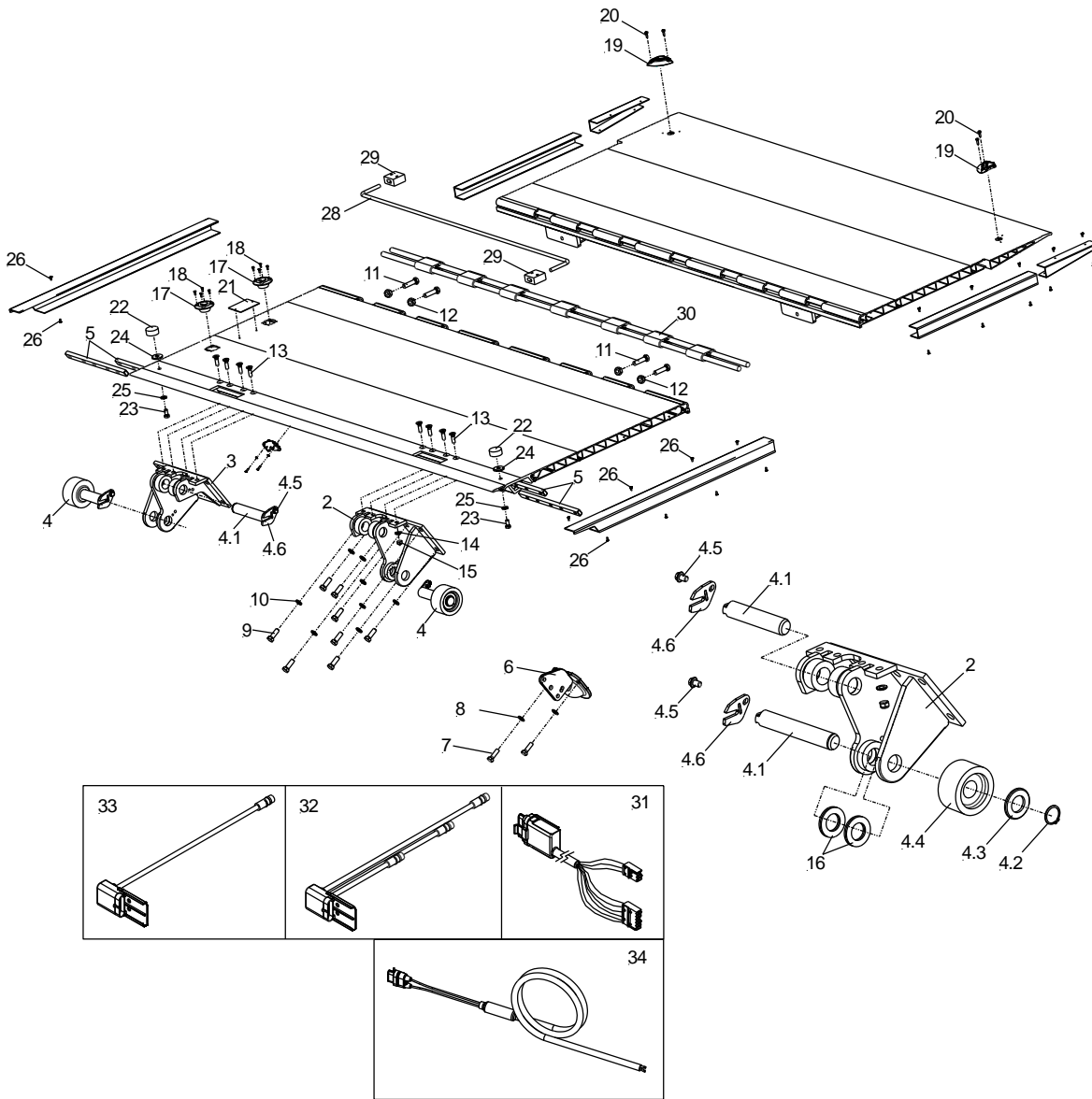
**11 Aluminum Platform – Tip**



10 – ALUMINUM PLATFORM TIP						
NO.	DESCRIPTION	ILK 33	ILK 44	ILK 55	ILK60	QTY.
1	Warning Lights, 12V/24V	P-2019307	P-2019307	P-2019307	N/A	2
2	Cart Stops	23-0709-040	23-0709-040	23-0709-040	N/A	1
3	Rubber Snubber	60-7514-002	60-7514-002	71042936	N/A	2
4	Washer M12	67245237	67245237	67245237	N/A	2
5	Bolt M12x1.75x50mm	66210243	66210243	66210243	N/A	2
6	Cover Plate Tip Left w/cart stops	P-9083238000	P-9083238000	P-9083238000	N/A	1
	Cover Plate Tip Left w/o cart stops	P-9081336010	P-9081336010	P-9081336010	N/A	1
7	Cover Plate Tip Right w/cart stops	P-9083239000	P-9083239000	P-9083239000	N/A	1
	Cover Plate Tip Right w/o cart stops	P-9081336000	P-9081336000	P-9081336000	N/A	1
8	Handle	P-1201681	P-1201681	P-1201681	N/A	1
	Handle w/Hardware	20-1210-003	20-1210-003	20-1210-003	N/A	1
9	Side Profile Top Cover	P-1244631	P-1244631	P-1244631	N/A	2
10	Side Profile Cap	P-9832521700	P-9832521700	P-9832521700	N/A	2
11	Hinge	P-9832240195	P-9832240195	P-9832240195	N/A	4
12	Round Bar, Alum., Main	9831721965	9831721965	9831721965	N/A	1
12.1	Round Bar, Alum., Tip	9831722165	9831722165	9831722165	N/A	1
13	Platform Tip, Alum., 94"W	--	22-0518-100	22-0518-100	N/A	1

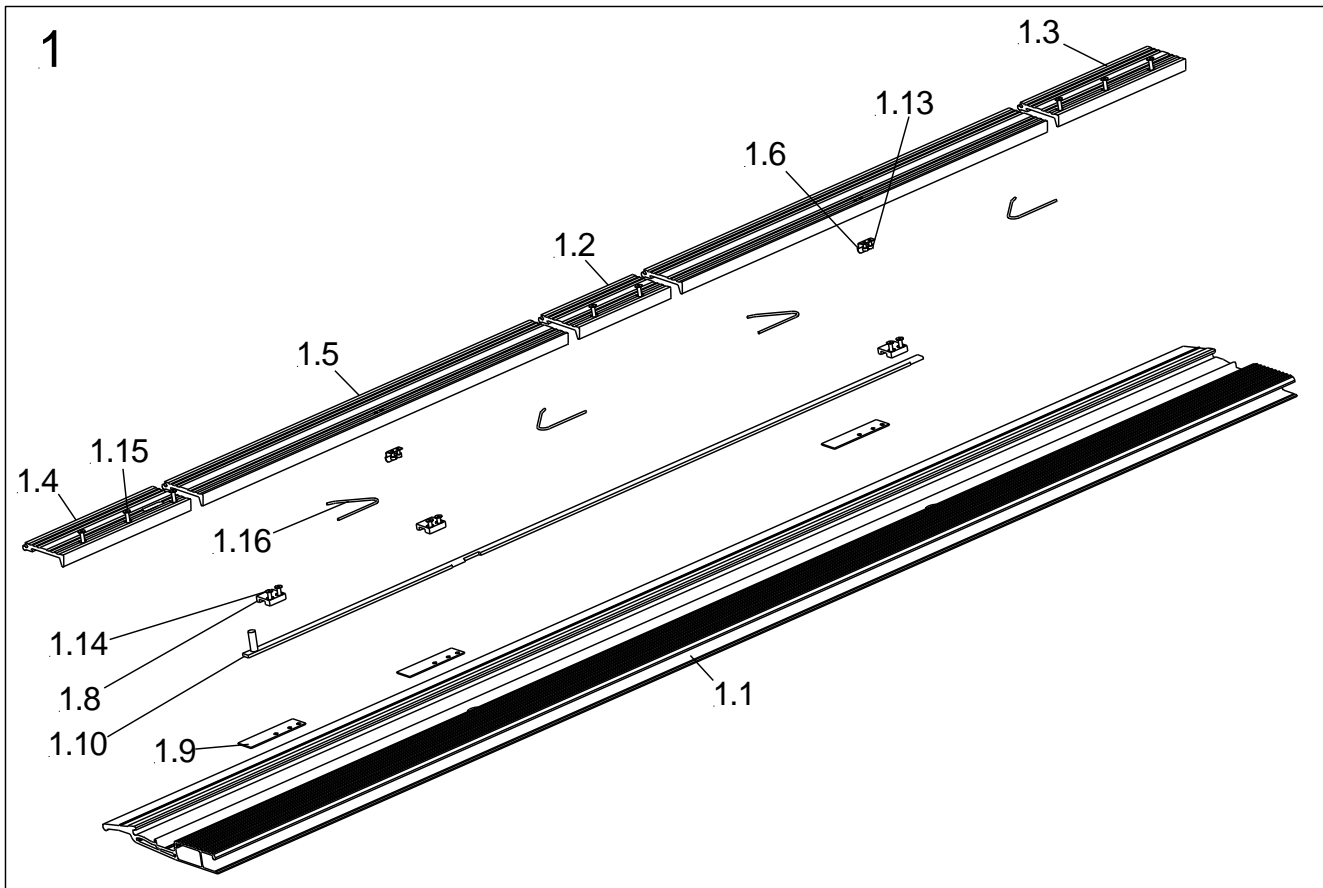


# 12 Aluminum Platform – ILUK 60



12 – Aluminum Platform ILUK 60			
NO.	DESCRIPTION	PART NO.	QTY.
1	Platform Assembly, Main/Tip, Aluminum	4PU6082	1
2	Clevis, Header, Right	ML2021257	1
3	Clevis, Header, Left	ML2021258	1
4	Roller Kit	P-1348000	1
4.1	Pin, $\varnothing$ 40x195mm	P-1329595	2
	Pin, $\varnothing$ 40x200mm (After 2016)	2036464	2
4.2	Lock Ring, 40mm x 1,75	P-10280062	1
4.3	Washer	P-66152901	1
4.4	Roller, Nylon	P-1332089	1
4.5	Bolt, Pin Lock, M8x16mm	ES1451	1
	Bolt, Pin Lock, M12x16mm (After 2016)	2039050	1
4.6	Pin Plate	2027558	1
5	Threaded Plate	ML2021302	4
6	Cover, Plastic (Prior 10/2021)	P-2019337	1
7	Cover Screw, M5x16mm (Prior 10/2021)	ML66783375	2
8	Cover Lock Washer M5 (Prior 10/2021)	ML10274046	2
9	Bolt, M16x1,5x45mm	ML1410097	1
10	Washer, M16	ML10274194	1
11	Hex Head Cap Screw, M16x60x2x60mm	P-1407296	4
12	Nut, M16x2x13mm	P-1026311	4
13	Flat Head Screw, M12x40mm	ML1408696	8
14	Washer, Flat, M13	ML66527476	8
15	Nut, M12X1.75	P-1409457	8
16	Spacer, Plastic, Liftarm	ML2021121	2
17	Foot Control	P-1330945	2
18	Flathead Screw, M5x16mm	P-1400172	8
19	Warning Lights	P-2019307	2
20	Pan Head Screw, M6x15mm	P-1015667	4
21	Foot Control Plate	P-1341966	1
22	Rubber Stop	60-7514-002	2
23	Hex Head Bolt, M12x25mm	P-66125912	2
24	Washer, Flat, M13, $\varnothing$ 37mm	ML67245237	2
25	Washer, Flat, M13	P-66527476	2
26	Blind Rivet, 4,8X11mm	ML1019254	1
27	Flat Head Screw, Countersink, M5x12mm	P-2004486	1
28	Torsion Bar, $\varnothing$ 13, L=1340mm	P-2039044	1
29	Torsion Bar, Block	ML2039046	1
30	Hinge, 46mm	ML2038874	7
31	Tilt Sensor, Harness, B15S, 2900mm (114") (After 10/2021)	ML2048463	1
32	Tilt Sensor, Platform Socket, w/Foot Control & Warning Lights (After 10/2021)	ML2049128	1
33	Tilt Sensor, Platform Socket, w/Warning Lights (After 10/2021)	ML2049181	1
34	Cable, J-3 to Warn LT, Platform	P-1359179	1

**13 Cart Stops - Aluminum Platforms**

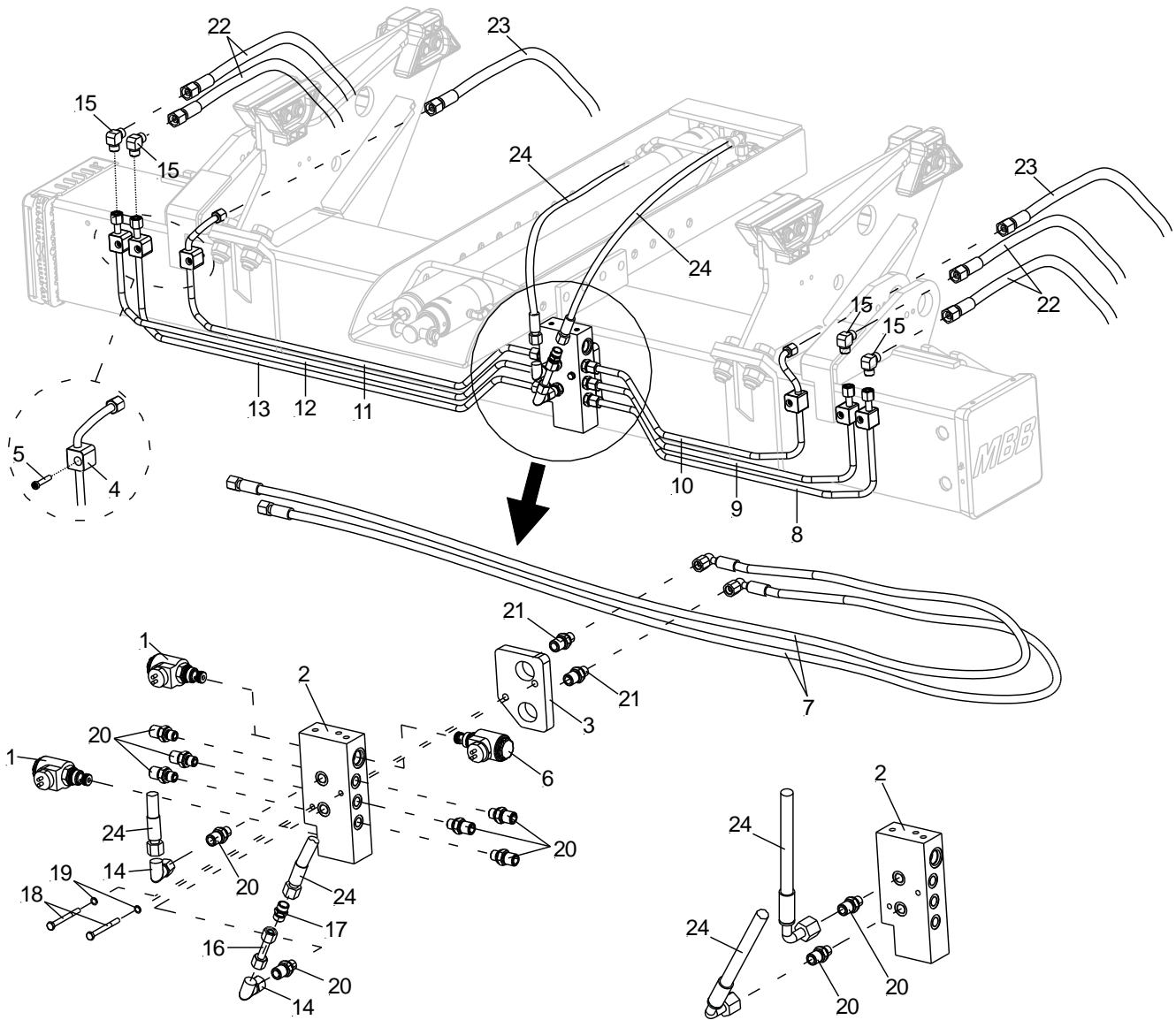


13 – Cart Stops Aluminum Platforms			
NO.	DESCRIPTION	PART NO.	QTY.
1	Assembly, 2 x 800mm, Cart Stop, 12"	P-2024959	1
1.1	Tip, Ramp, Extrusion, ALP, 12" w/Ramp & CS, Opt, 98.5"	P-2032989	1
1.2	Filler, Cart Stop Center, ALP	P-2003302	1
1.3	Filler, Cart Stop, Left, ALP	P-2003303	1
1.4	Filler, Cart Stop, Right, w/Notch, ALP	P-2003301	1
1.5	Cart Stop, 800mm	P-2006698	2
1.6	Clip, Hold Down, Cart Stop, ALP	P-1406249	2
1.8	C-Clip, Plastic, 1.38" Sq w/Holes	P-2004637	3
1.9	Rod Support, 1.38"x4.75", Cart Stop	P-1406245	3
1.10	Rod, Sliding, S/S, ALP, Cart Stop	P-1406248	1
1.13	Screw, M5x8mm, ALP, Cart Stop, Clip Hold Down	P-1032122	4
1.14	Screw, M6x20mm, Cart Stop, ALP	P-1004726	6
1.15	Screw, M6x30mm, Cart Stop Filler, ALP	P-1057441	8
1.16	Spring Wire, CS, ALP & AVI, Stainless, 0.140" Diameter	P-1408661	4

Palfinger Interlift, LLC.  
 15939 Piuma Ave, Cerritos, CA 90703  
 Tel: (888) 774-5844, Fax: (562) 924-8318

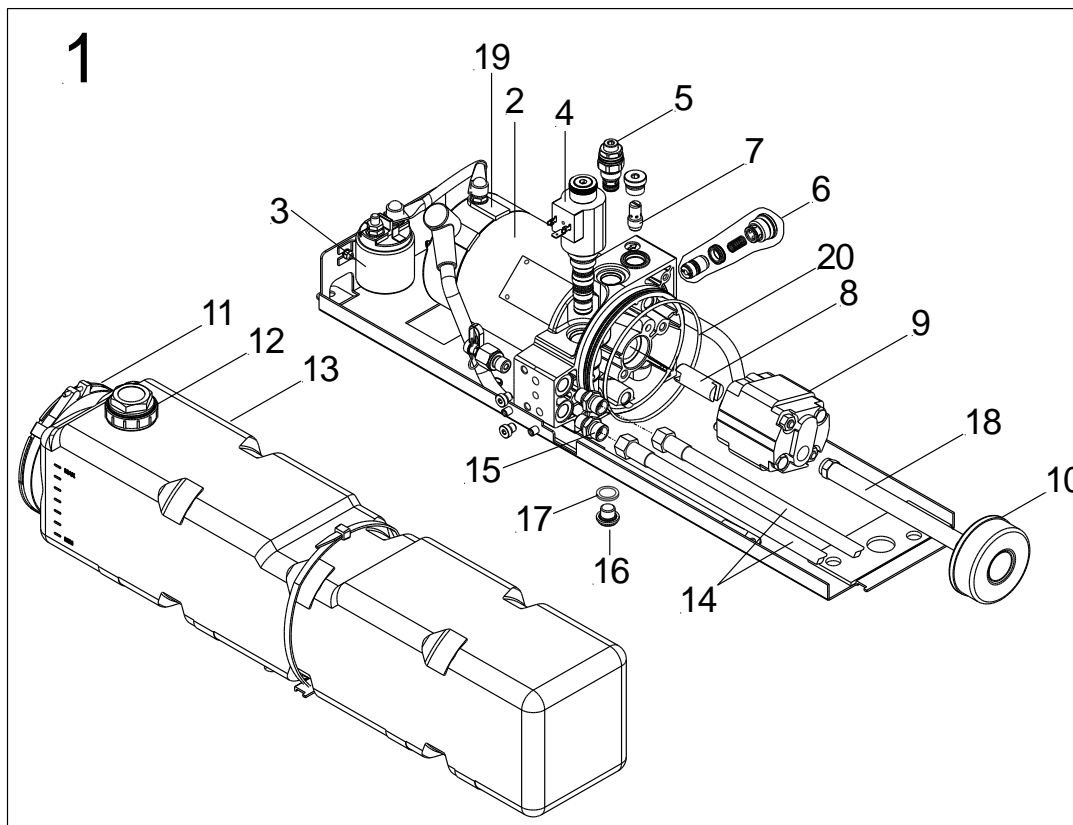
Palfinger Interlift, LLC.  
 572 Whitehead Road, Trenton, NJ 08619  
 Tel: (609) 587-4200, Fax: (609) 587-4201

### 14 Hydraulic Hoses



14 – HYDRAULIC HOSES						
NO.	DESCRIPTION	ILUK 33	ILUK 44/55	ILUK 60	ILUK 66	QTY.
1	Release Valve, Double Locking	P-1284466	P-1284466	P-1284466	P-1284466	2
2	3-Valve Aluminum Block With Adaptors	P-1409657	P-1409657	1409657	1409657	1
3	Rubber Pad, Hydraulic Valve Block	P-1114049	P-1114049	1114049	1114049	1
4	Plastic Holder	P-1108532	P-1108532	1108532	1108532	6
5	Socket Head Cap Screw, M6x1.0x30mm	P-66310671	P-66310671	66310671	66310671	6
6	Release Valve, Single Locking	P-67282345	P-67282345	P-67282345	P-67282345	1
7	Hose, Power Pack To Valve Block, 2000mm	P-2021334	P-2021334	2021334	2021334	2
8	Pipe - Lower Driver Side	P-1129943	P-1129943	1129943	1129943	1
9	Pipe - Med. Driver Side	P-1129952	P-1129952	1129952	1129952	1
10	Pipe - Top Driver Side	P-1129961	P-1129961	1129961	1129961	1
11	Pipe - Top Curb Side	P-1129970	P-1129970	1129970	1129970	1
12	Pipe - Lower Curb Side	P-1129989	P-1129989	1129989	1129989	1
13	Pipe - Med. Curb Side	P-1129998	P-1129998	1129998	1129998	1
14	Angle Connector	P-1232266	P-1232266	1232266	1232266	2
15	Elbow, 90°, 10L	ML1237958	ML1237958	1237958	1237958	6
16	Extension Tube, 10mm,Steel	P-1406564	P-1406564	1406564	1406564	1
17	Union, 10L	P-1212700	P-1212700	1212700	1212700	1
18	Hex Head Cap Screw, M6x60mm	2034249	2034249	2034249	2034249	2
19	Washer, M6	66218635	66218635	66218635	66218635	2
20	Adapter 1/4 X 10L Hose Fitting	EA6236	EA6236	1188263	1188263	8
21	Adapter 1/4 BSPP X 1/4 BSPP	P-1149677	P-1149677	1149677	1149677	2
22	Hose, Tilt Cylinder, Plastic, F/F, 850mm	P-70605848	P-70605848	P-70605848	P-70605848	4
23	Hose, Lift Cylinder, Plastic, F/M, 850mm	ML1295727	ML1295727	1295727	1295727	2
24	Hose, Push Pull Cylinders, Rubber, 850mm	P-2021337	P-2021337	2021337	2021337	2
	Hose, Push Pull Cylinders, Plastic, 90°F/F, 1000mm	P-1110229	P-1110229	1110229	1110229	2
25	Hydraulic Hose Kit - 6x850mm	P-1303233	P-1303233	1303233	1303233	1

**15 Pump and Motor - ILUK 33/44/55**

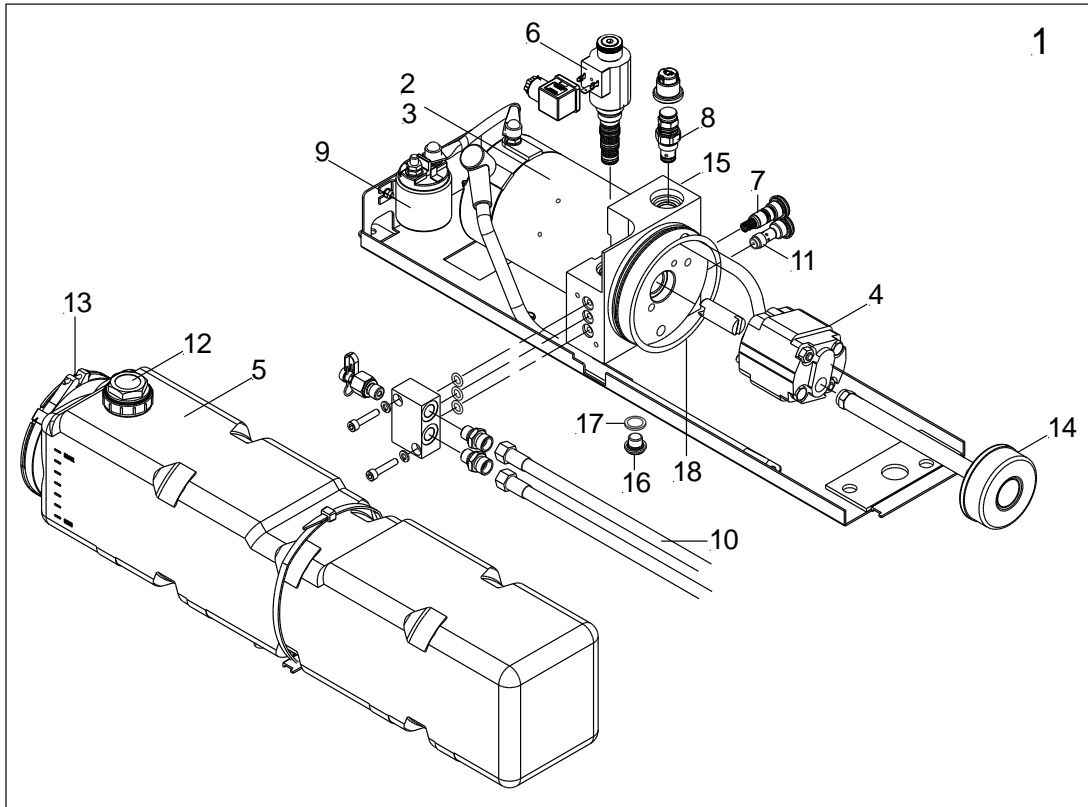


15 – PUMP & MOTOR – ILUK 33/44/55					
NO.	DESCRIPTION	ILUK 33	ILUK 44/55	ILUK 55	QTY.
1	Power Pack Assembly	P-1406000	P-1406000	P-1406000	1
2	Motor 12 Volt	P-1353555	P-1353555	P-1353555	1
3	Motor Solenoid	P-1320127	P-1320127	P-1320127	1
4	Shift Valve (S-5)	P-1299412	P-1299412	P-1299412	1
5	Pressure Control Valve	P-1298111	P-1298111	P-1298111	1
6	Shuttle Valve Since 1998	P-1405972	P-1405972	P-1405972	1
	Flow Divider Till 1998	P-1298102	P-1298102	P-1298102	1
7	Flow Control Valve (R5)	P-1298086	P-1298086	P-1298086	1
8	Coupler	P-1406264	P-1406264	P-1406264	1
9	Pump	P-1298068	P-1298068	P-1298068	1
10	Pump Filter	P-1298022	P-1298022	P-1298022	1
11	Clamp For Oil Reservoir	P-1362509	P-1362509	P-1362509	1
12	Breather Cap	P-1362518	P-1362518	P-1362518	1
13	Oil Reservoir	P-1362483	P-1362483	P-1362483	1
14	Hydraulic Hose, 2000mm	P-1112885	P-1112885	P-1112885	1
15	Adaptor	P-1188263	P-1188263	P-1188263	1
16	Drain Plug	P-66373088	P-66373088	P-66373088	1
17	Sealing Ring	P-1298013	P-1298013	P-1298013	1
18	Pipe	ON REQUEST	ON REQUEST	ON REQUEST	1
19	Carbon Brushes Kit	P-1410330	P-1410330	P-1410330	1
20	O-Ring	P-1297972	P-1297972	P-1297972	1

Palfinger Interlift, LLC.  
 15939 Piuma Ave, Cerritos, CA 90703  
 Tel: (888) 774-5844, Fax: (562) 924-8318

Palfinger Interlift, LLC.  
 572 Whitehead Road, Trenton, NJ 08619  
 Tel: (609) 587-4200, Fax: (609) 587-4201

**15.1 Pump and Motor - ILUK 60/66**

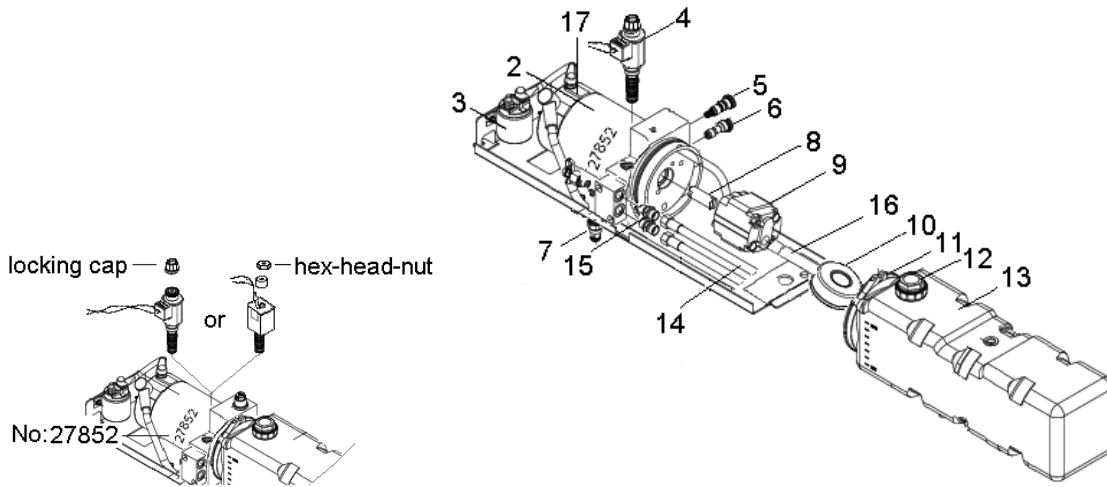


15.1 – ILUK 60/66 PUMP & MOTOR				
NO.	DESCRIPTION	ILUK 60	ILUK 66	QTY.
1	Power Pack	P-1406010	P-1406010	1
2	Motor 12 Volt	P-1404483	P-1404483	1
3	Set Of Carbon Bushes	P-1410330	P-1410330	1
4	Pump, 3,2ccm	P-1349471	P-1349471	1
5	Oil Tank	P-1362483	P-1362483	1
6	Solenoid Valve, 12V	P-1299412	P-1299412	1
7	Shuttle Valve	P-1405972	P-1405972	1
8	Pressure Limitation Valve	P-1298111	P-1298111	1
9	Motor Contactor Relay, 12V	P-1320127	P-1320127	1
10	Hose, 2000mm	P-1112885	P-1112885	2
11	Flow Control Valve	P-1298086	P-1298086	1
12	Filler	P-1362518	P-1362518	1
13	Clamp	P-1362509	P-1362509	1
14	Ring	P-1297972	P-1297972	1
15	Filter	P-1298022	P-1298022	1
16	Central Flange	P-2000299	P-2000299	1
17	Locking Screw	P-66373088	P-66373088	1
18	Seal Ring	P-1298013	P-1298013	1
19	Gasket Set	P-1406752	P-1406752	1

Palfinger Interlift, LLC.  
 15939 Piuma Ave, Cerritos, CA 90703  
 Tel: (888) 774-5844, Fax: (562) 924-8318

Palfinger Interlift, LLC.  
 572 Whitehead Road, Trenton, NJ 08619  
 Tel: (609) 587-4200, Fax: (609) 587-4201

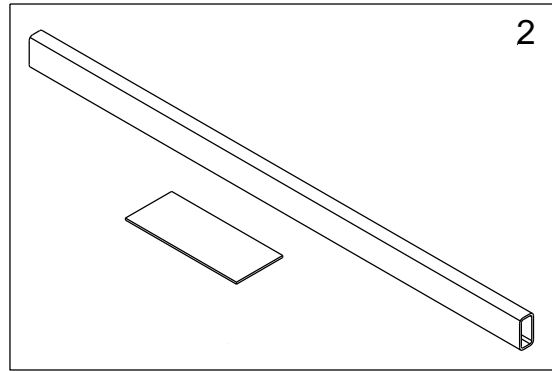
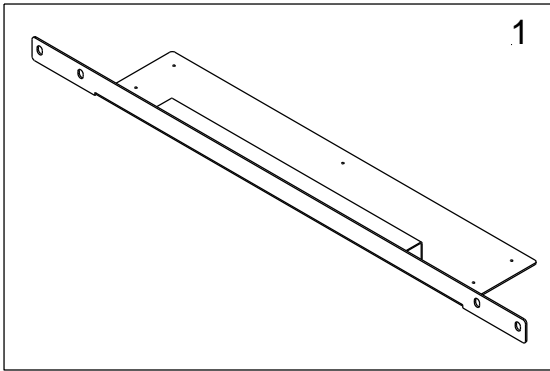
**15.2 Bosch Pump and Motor**



15.2 – BOSCH PUMP & MOTOR			
NO.	DESCRIPTION	ILUK 33/44/55	QTY.
1	Power Pack	N/A	1
2	Motor 12 Volt	P-1298264	1
3	Motor Solenoid	P-1320127	1
4	Shift Valve (S5)	P-1058804	1
5	Pressure Release Valve	P-1058760	1
6	Shuttle Valve	P-72335694	1
7	Flow Control Valve (R5)	P-1058653	1
8	Coupler	P-68807808	1
9	Pump	P-1058831	1
10	Screen	P-70411385	1
11	Reservoir Clamp Set	P-1404308	1
12	Cap With Filter	P-1401680	1
13	Oil Reservoir	P-70411296	1
14	Hydraulic Hose	P-1112885	1
15	Adaptor	P-1188263	1
16	Pipe	ON REQUEST	1
17	Carbon Brushes Kit (4 Pieces)	P-1116767	1

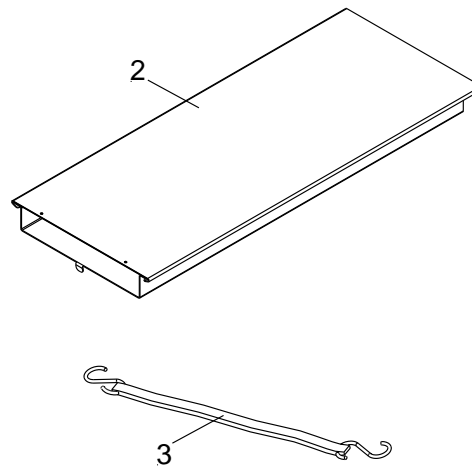
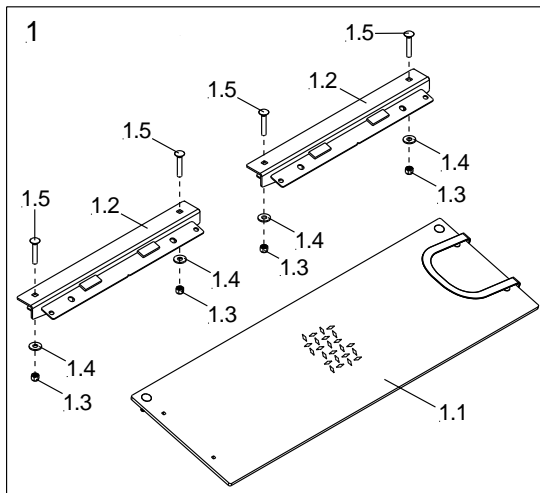


**16 Dock Lock Kits**



16 – DOCK LOCK			
NO.	DESCRIPTION	PART NO.	QTY.
1	Dock Lock Kit, for 74"/82" Aluminum Platform	65-0517-010	1
2	Dock Lock Kit, for 74" Steel/Aluminum Platform	55-0514-007	1

**17 Curb Ramp Kit**



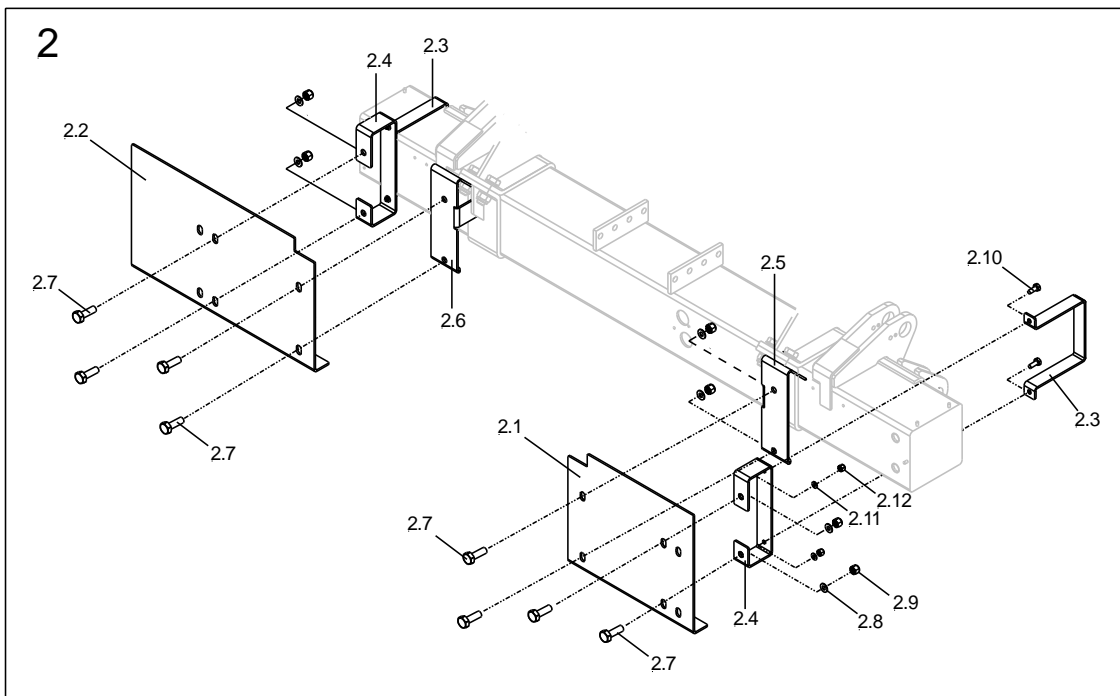
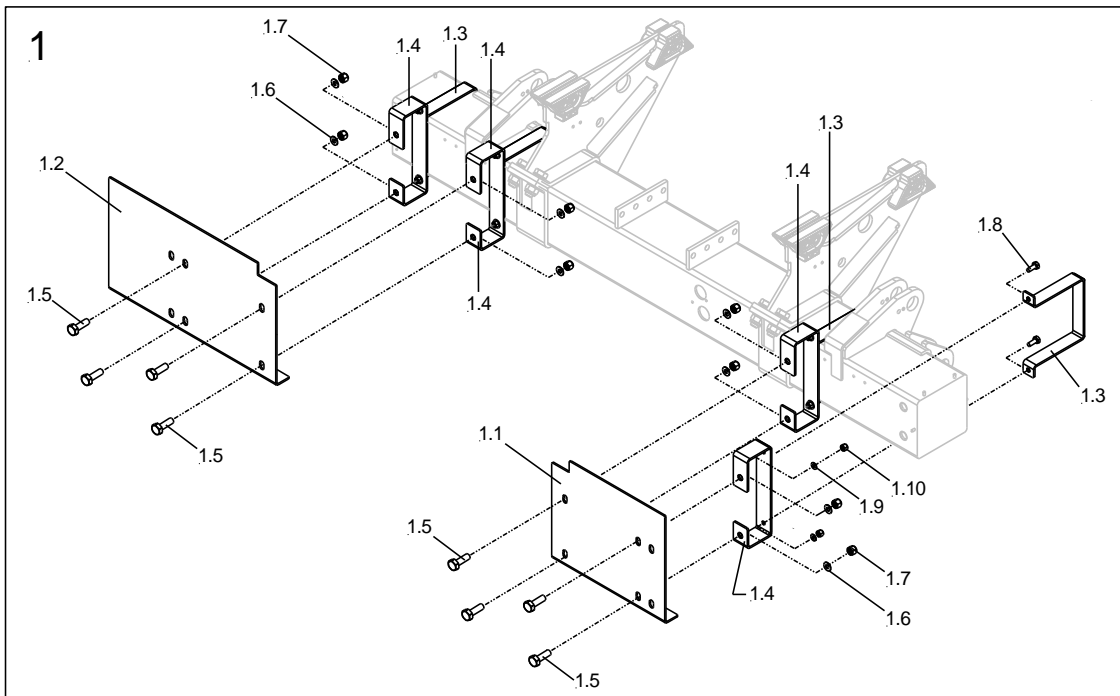
17 – CURB RAMP KIT			
NO.	DESCRIPTION	PART NO.	QTY.
1	<b>Curb Ramp Kit</b>	23-0516-000	1
1.1	Ramp; Assembly; 48"	23-0516-001	1
1.2	Cap, Platform; Weldment	23-0516-003	2
1.3	Nut, Nylock, 1/2"-13	EM-707	4
1.4	Washer- Flat USS 1/2"	EK3230	4
1.5	Carriage Bolt; 1/2"-13x3"	ES3772	4
1.6	Decal, Curb Ramp	85-0517-000	1
2	Storage Box Assembly	23-0516-008	1
3	Tie-Down Strap; 14"-22", Weather Resistant	EZ6927	1

Palfinger Interlift, LLC.  
 15939 Piuma Ave, Cerritos, CA 90703  
 Tel: (888) 774-5844, Fax: (562) 924-8318

Palfinger Interlift, LLC.  
 572 Whitehead Road, Trenton, NJ 08619  
 Tel: (609) 587-4200, Fax: (609) 587-4201

## 18 Tire Blowout Protection Kits

*INTERLIFT Liftgates use galvanized, galvanized, powder coat, paint, zinc, and other finishes on different liftgate models. It is important to specify what type of finish is required for the ordered replacement parts.*



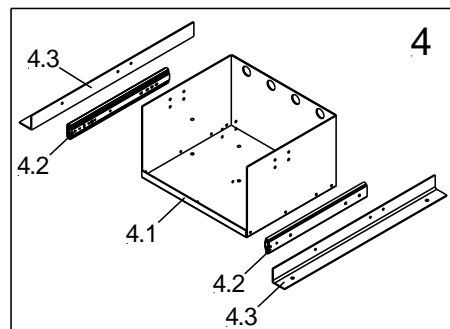
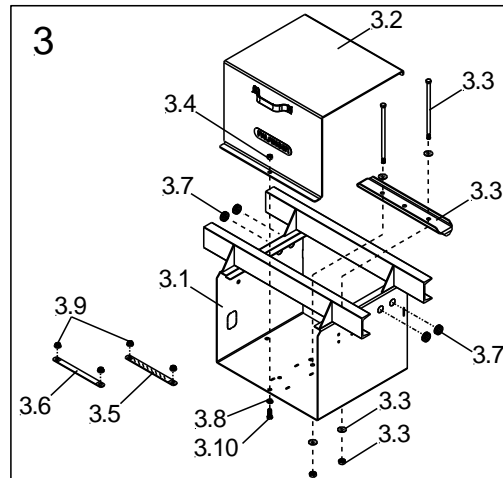
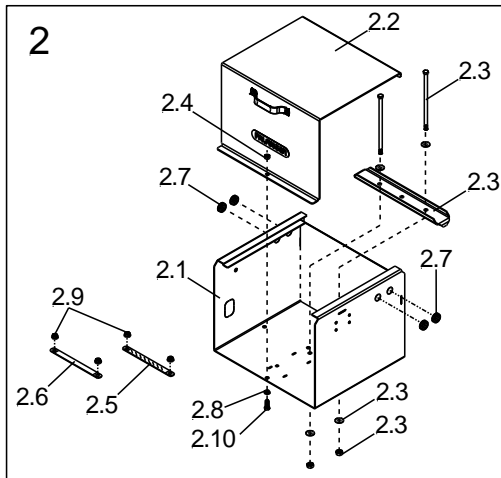
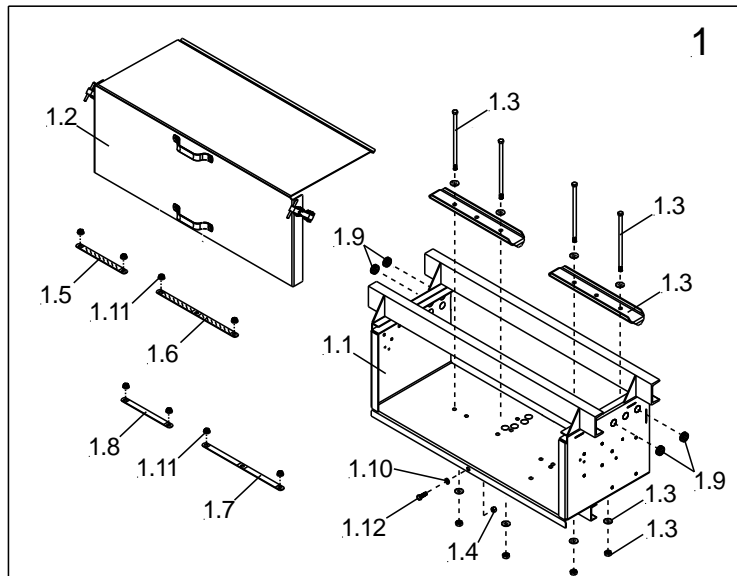
Palfinger Interlift, LLC.  
15939 Piuma Ave, Cerritos, CA 90703  
Tel: (888) 774-5844, Fax: (562) 924-8318

Palfinger Interlift, LLC.  
572 Whitehead Road, Trenton, NJ 08619  
Tel: (609) 587-4200, Fax: (609) 587-4201

<b>18 – TIRE BLOWOUT PROTECTION KITS</b>			
<b>NO.</b>	<b>DESCRIPTION</b>	<b>PART NO.</b>	<b>QTY.</b>
1	Tire Blowout Protection Kit, (ILU, ILUK 60, Mount Plate Dist: 31.50"-34.50")	65-0515-000	1
1.1	Driver Side Protection Plate	65-0514-002	1
1.2	Curb Side Protection Plate	65-0514-003	1
1.3	Bracket, Mount Tube Brace	65-0514-005	4
1.4	Bracket, Spacer	65-0514-006	4
1.5	Hex Head Cap Screw, 1/2"-13 X 1.5"	ES3456	8
1.6	Washer, Flat, 1/2"	EK2796	8
1.7	Nut, Nylock, 1/2"-13	EM-707	8
1.8	Hex Head Cap Screw, 3/8"-16 X 1.0"	ES3446	8
1.9	Washer, Flat, 3/8"	EK3216	8
1.10	Nut, Nylock, 3/8"	EM-708	8
2	Tire Blowout Protection Kit, (ILUK 33/44/55, Mount Plate Dist: 40.50")	65-0514-004	1
2.1	Driver Side Protection Plate	65-0514-002	1
2.2	Curb Side Protection Plate	65-0514-003	1
2.3	Bracket, Mount Tube Brace	65-0514-005	2
2.4	Bracket, Spacer	65-0514-006	2
2.5	Angled Support Bracket, Driver Side	65-0514-007	1
2.6	Angled Support Bracket, Curb Side	65-0514-008	1
2.7	Hex Head Cap Screw, 1/2"-13 X 1.5"	ES3456	8
2.8	Washer, Flat, 1/2"	EK2796	8
2.9	Nut, Nylock, 1/2"	EM-707	8
2.10	Hex Head Cap Screw, 3/8"-16 X 1.0"	ES3446	4
2.11	Washer, Flat, 3/8"	EK3216	4
2.12	Nut, Nylock, 3/8"	EM-708	4

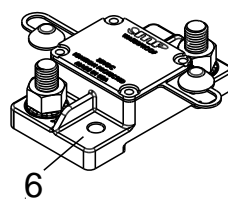
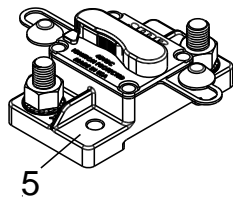
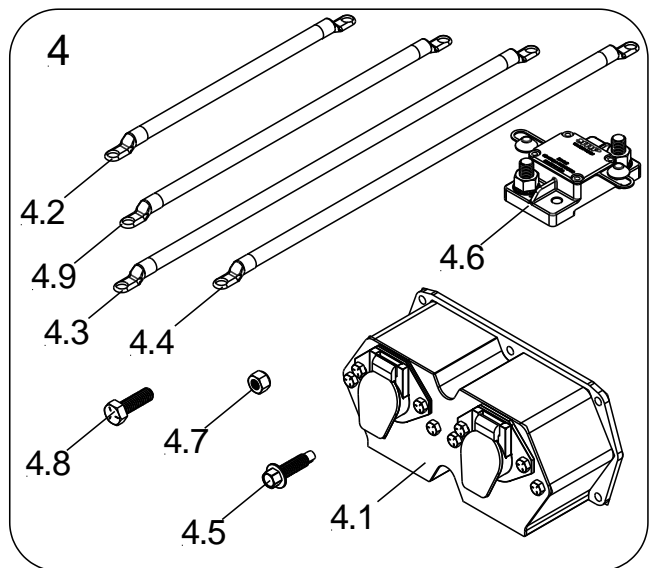
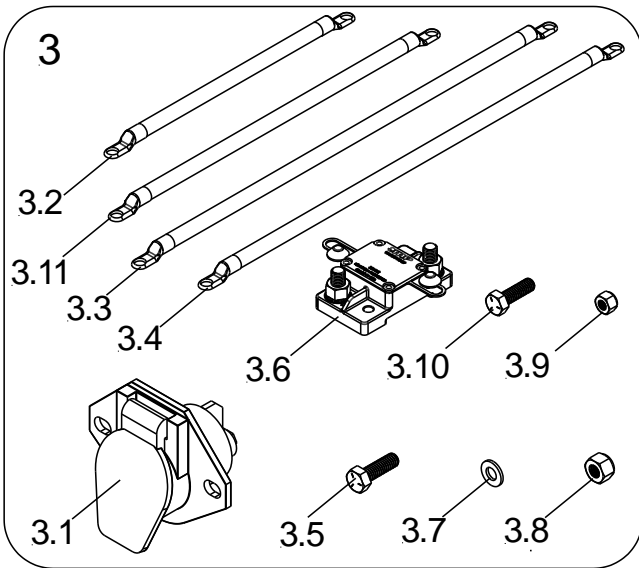
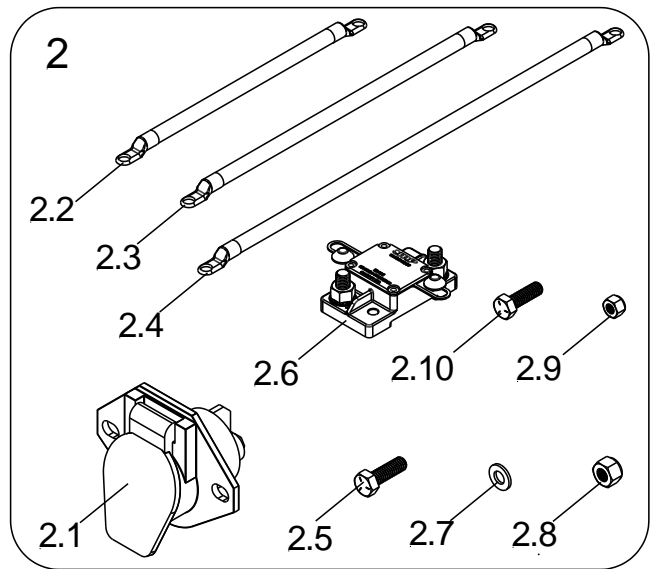
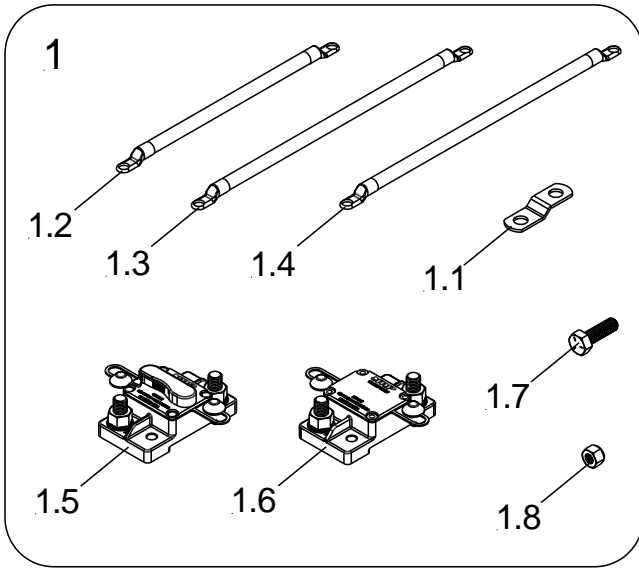
### 19 Battery Box Kits

*INTERLIFT Liftgates use galvanized, galvanized, powder coat, paint, zinc, and other finishes on different liftgate models. It is important to specify what type of finish is required for the ordered replacement parts.*



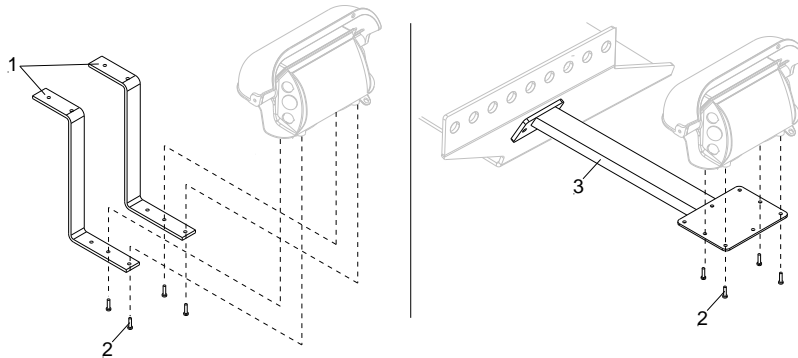
19 – BATTERY BOX KITS			
NO.	DESCRIPTION	PART NO.	QTY.
1	Battery Box Kit, 4-Battery	50-8016-100	1
1.1	Battery Box Base, Assembly, Large	50-8016-001	1
1.2	Battery Box Lid Assembly	60-7515-012	1
1.3	Kit, 2-Battery Hold Down	60-7515-151	2
1.4	Nut, 3/8"-16, Gr.5	EM 532	1
1.5	Bus Bar, 2-Battery, Black	KET05916A	1
1.6	Bus Bar, 3-Battery, Black	KET05961A	1
1.7	Bus Bar, 3-Battery, Red	KET05962A	1
1.8	Bus Bar, 2-Battery, Red	KET06062A	1
1.9	Grommet, 7/8" Diameter Hole	EK3504	1
1.10	Washer, Split Lock, 3/8"	EK3238	1
1.11	Nut, Serrated, 3/8"-16; Stainless Steel	EM 781	1
1.12	Hex Head Cap Screw, 3/8"-16x1", Gr. 5, Zinc	ES3446	1
2	Battery Box Kit, 2-Battery	50-8016-200	1
2.1	Battery Box, Base, Assembly, 2-Battery	50-8016-201	1
2.2	Lid Assy., Alum	60-7517-018	1
2.3	2-Battery Hold Down Kit	60-7515-151	1
2.4	Nut, 3/8"-16, Gr. 5	EM 532	1
2.5	Bus Bar, 2-Battery, Black	KET05916A	1
2.6	Bus Bar, 2-Battery, Red	KET06062A	1
2.7	Grommet, 7/8" Diameter Hole	EK3504	4
2.8	Washer, Split Lock, 3/8"	EK3238	1
2.9	Nut, Serrated, 3/8"-16, Stainless Steel	EM 781	4
2.10	Hex Head Cap Screw, 3/8"-16x1", Gr.5, Zinc	ES3446	1
3	Battery Box Kit, 2-Battery, w/Channels	60-7517-022	1
3.1	Battery Box, Base, Assembly, 2-Battery, w/Channels	60-7517-020	1
3.2	Lid Assy., Alum	60-7517-018	1
3.3	2-Battery Hold Down Kit	60-7515-151	1
3.4	Nut, 3/8"-16, Gr. 5	EM 532	1
3.5	Bus Bar, 2-Battery, Black	KET05916A	1
3.6	Bus Bar, 2-Battery, Red	KET06062A	1
3.7	Grommet, 7/8" Diameter Hole	EK3504	4
3.8	Washer, Split Lock, 3/8"	EK3238	1
3.9	Nut, Serrated, 3/8"-16, Stainless Steel	EM 781	4
3.10	Hex Head Cap Screw, 3/8"-16x1", Gr.5, Zinc	ES3446	1
4	2-Battery Box Kit, Slide Out Tray	2-000051A	1
4.1	Battery Box Base	2-00060	1
4.2	Slide, Steel, 16"	2-10400	1
4.3	Angle, 2"x2"x26.5"x1/8", Steel	50-8017-003	1
5	Battery, Lead/Acid, Group 31	3-49999	1
6	Battery, AGM, Standard, Group 31	3-49998	1
7	Battery, AGM, Premium, Group 31	3-50003	1

### 20 Truck & Trailer Charge Kits



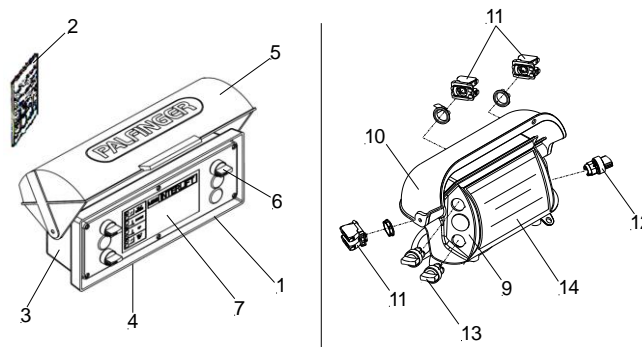
<b>20- TRUCK &amp; TRAILER CHARGE KITS</b>			
<b>NO.</b>	<b>DESCRIPTION</b>	<b>PART NO.</b>	<b>QTY.</b>
1	Kit, Truck, 40ft Electrical	70-1115-100	1
1.1	Bus Bar	70-8013-025	1
1.2	Cable, 2GA, 18", 3/8" Lugs, Red	KET05919A	1
1.3	Cable, 2GA, 74", 3/8" Lugs, Black	KET05925A	1
1.4	Cable, 2GA, 480", 3/8" Lugs, Red	KET06314A	1
1.5	Circuit Breaker, 175A, 3/8" Studs, Manual Reset	70-8114-009	1
1.6	Circuit Breaker 175A, 3/8" Studs, Auto Reset	70-8114-008	1
1.7	Hex Head Cap Screw, 1/4-20x1.0", Gr.5, Zinc	ES3443	1
1.8	Nut, Nylock 1/4-20, Zinc	EM 722	1
2	Kit, Trailer, Single Pole	70-1115-101	1
2.1	Socket, Single Pole	70-8015-019	1
2.2	Cable, 2GA, 18", 3/8" Lugs, Red	KET05919A	1
2.3	Cable, 2GA, 74", 3/8" Lugs, Black	KET05925A	1
2.4	Cable, 2GA, 480", 3/8" Lugs, Red	KET06314A	1
2.5	Hex Head Cap Screw, 5/16-18x1"	ES3724	1
2.6	Circuit Breaker, 175A, 3/8" Studs, Auto Reset	70-8114-008	1
2.7	Washer, Flat, 5/16"	EK3217	1
2.8	Nylock, 5/16-18	EM 710	1
2.9	Nut, Nylock, 1/4-20, Zinc	EM 722	1
2.10	Hex Head Cap Screw, 1/4-20x1.0", Gr.5, Zinc	ES3443	1
3	Kit, Trailer, Dual Pole	70-1115-102	1
3.1	Socket, Dual Pole	70-8015-018	1
3.2	Cable, 2ga, 18", 3/8" Lugs, Red	KET05919A	1
3.3	Cable, 2ga, 480", 3/8" Lugs, Black	KET05701A	1
3.4	Cable, 2ga; 480", 3/8" Lugs, Red	KET06314A	1
3.5	Hex Head Cap Screw, 5/16-18x1"	ES3724	1
3.6	Circuit Breaker 175A, 3/8" Studs, Auto Reset	70-8114-008	1
3.7	Washer, Flat, 5/16"	EK3217	1
3.8	Nylock, 5/16-18	EM 710	1
3.9	Nut, Nylock, 1/4-20 Zinc	EM 722	1
3.10	Hex Head Cap Screw, 1/4-20x1.0", Gr.5, Zinc	ES3443	1
4	Kit, Trailer, Dual Nosebox	70-1115-103	1
4.1	Nosebox, Single & Dual Pole Socket	70-8015-020	1
4.2	Cable, 2GA, 18", 3/8" Lugs, Red	KET05919A	1
4.3	Cable, 2GA, 480", 3/8" Lugs, Black	KET05701A	1
4.4	Cable, 2GA; 480", 3/8" Lugs, Red	KET06314A	1
4.5	Hex Head Cap Screw, Tapping, 5/16-18x1.25"	ES3733	1
4.6	Circuit Breaker 175A, 3/8" Studs, Auto Reset	70-8114-008	1
4.7	Nut, Nylock 1/4-20, Zinc	EM 722	1
4.8	Hex Head Cap Screw, 1/4-20x1.0", Gr.5, Zinc	ES3443	1
5	Circuit Breaker 175A, 3/8" Studs, Manual Reset	70-8114-009	1
6	Circuit Breaker 175A, 3/8" Studs, Auto Reset	70-8114-008	1

## 21 Control Box Mounting Brackets



20 – Control Box Mounting Brackets			
NO.	DESCRIPTION	PART NO.	QTY.
1	Control Box Mount, Z-Bracket, Truck	P-1311508	1
2	Screw, M6x20, Thread Forming	P-2006087	4
3	Control Box Mount Bracket, Trailer	60-0518-010	1

## 22 Control Box



21 – Control Box			
NO.	DESCRIPTION	PART NO.	QTY.
<b>K-Style (Prior 2004)</b>			
1	Control Panel With PC-Board - Conversion Kit	P-2012531	1
2	PC-Board - <i>K Plus</i> Style - For Conversion Kit (13 mm)	P-2012184	1
3	Complete Outer Plastic Box	P-1338263	1
4	Plastic Cover Control Box	P-1228744	1
5	Flip Down Lid	P-1319393	1
6	Toggle And Contact Block - For Conversion Kit	P-2011543	1
7	Operation Label	85-0514-000	1
<b>K Plus-Style (After 2004)</b>			
8	Control Box, w/J32, J30 Plugs	P-2007415	1
8.1	Control Box Kit, (Incl: Control Box, PCB, B13, B15)	P-2033821	1
9	Complete Outer Plastic Box	P-2009205	1
10	Flip Down Lid	P-2007476	1
11	Contact Block	P-2007457	1
12	On- Off Switch	P-2009186	1
13	Momentary Knob Turn	P-2007456	1
14	Operation Label	ATG-ILUK	1

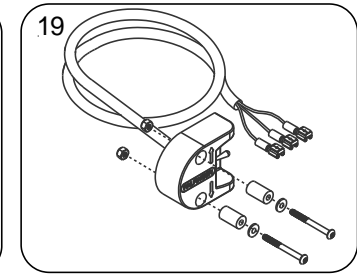
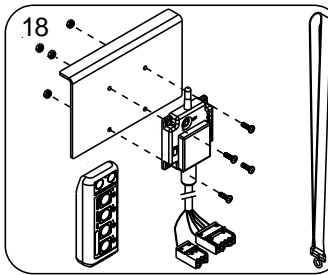
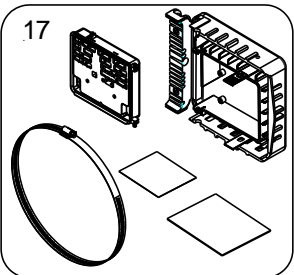
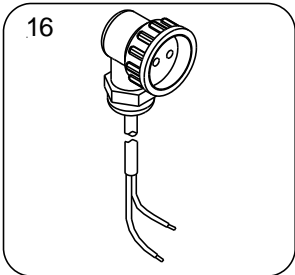
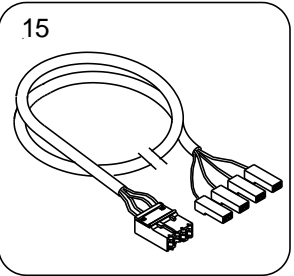
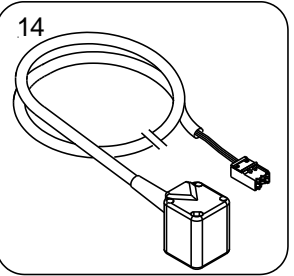
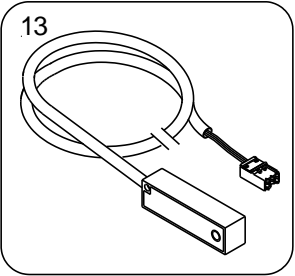
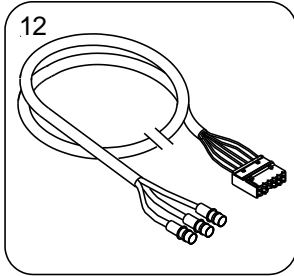
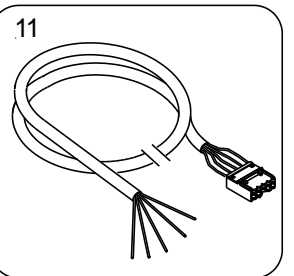
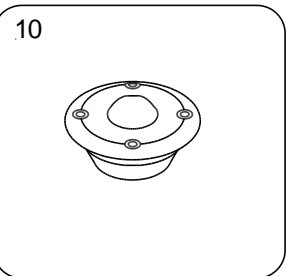
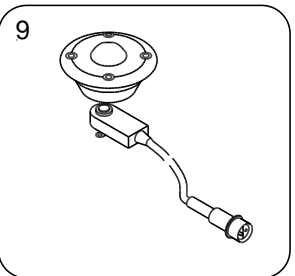
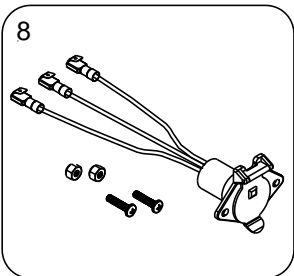
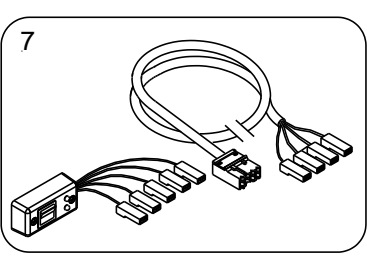
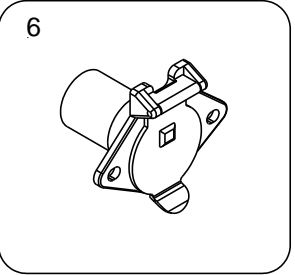
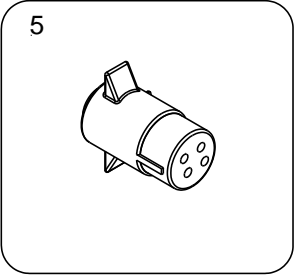
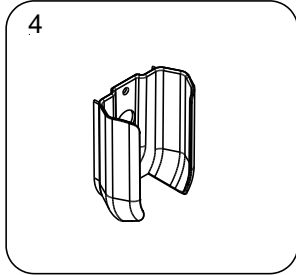
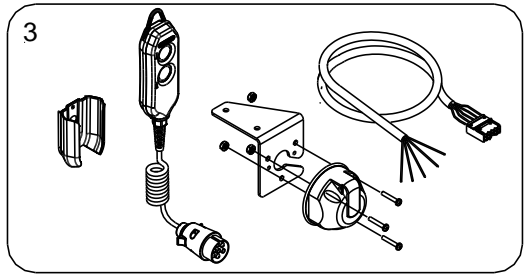
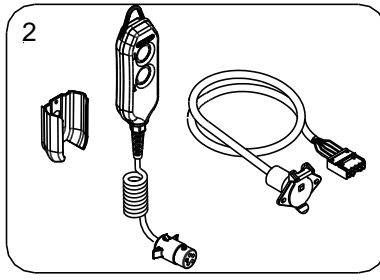
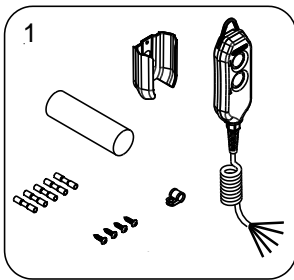
Palfinger Interlift, LLC.  
 15939 Piuma Ave, Cerritos, CA 90703  
 Tel: (888) 774-5844, Fax: (562) 924-8318

Palfinger Interlift, LLC.  
 572 Whitehead Road, Trenton, NJ 08619  
 Tel: (609) 587-4200, Fax: (609) 587-4201



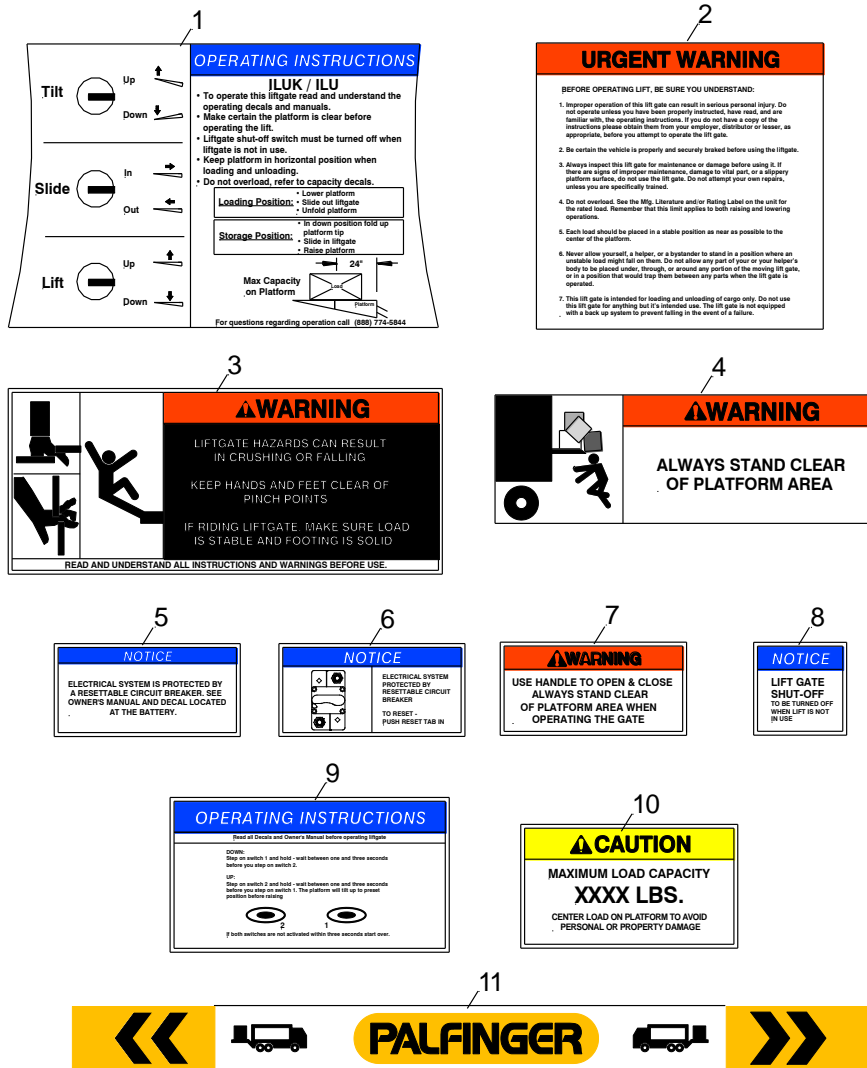
**NOTES**

### 23 Controls



22 - CONTROLS			
NO.	DESCRIPTION	PART NO.	QTY.
1	2-Button Hand Remote & Holster Kit	70-7519-020	1
2	2-Button Hand Remote Kit, w/Plug & Socket	70-7516-009	1
3	2-Button Hand Remote Kit, Hella, w/Plug & Socket	70-7516-100	1
4	Remote Holster	ML2050008	1
5	Plug, 4-Prong, Chrome, Trailer	70-8016-003	1
6	Socket, 4-Prong, Chrome, Trailer	70-8016-004	1
7	Cab Shut Off Switch Kit	<b>70-1113-200</b>	1
8	Socket, 4-Prong, w/Connectors	70-7516-010	1
9	Foot Control, Button & Wire Harness	P-1330945	1
10	Foot Control, Button	P-1405256	1
11	Wire Harness, Power Pack, J1, 15000mm (49 ft.)	P-2007406	1
12	Wire Harness, Warning LED Lights, Foot Control, J3	P-1342776	1
13	Sensor, B13, Liftarm, J41	P-1332476	1
14	Sensor, B15, Platform, J41	P-1332485	1
15	Wire Harness, Cab On/Off Switch, J11	P-2007049	1
16	Wire Harness, Solenoid Valve, J4, 4050mm (13 Ft.) Length	P-67254198	1
17	Kit, Control M-Board (PCB), Plus	ML75-0521-010	1
18	Wireless Remote, 6-Way Operation, Kit	70-8015-007	1
19	Toggle Switch Kit, Up/Down, Optional	70-8016-050	1

24 Decals



23 - Decals			
NO.	DESCRIPTION	PART NO.	QTY.
1	Operating Instructions	ATG-ILUK	1
2	Decal, Urgent Warning	ATG-URGWA	1
3	Warning- Liftgate Hazards	ATG-WLH	2
4	Warning- Stand Clear	ATG-PLAT	2
5	Decal, Electrical System	ATG-RESET	1
6	Decal, Circuit Breaker, Blue	ATG-BKR	1
7	Warning- Use Handle To Open	ATG-WNG	1
8	Cab Shut Off	ATG-CAB	1
9	Decal, Foot Control Instructions	ATG-FC	1
10	Decal, Capacity	ATG-XXXX	2
11	Decal, Palfinger Logo	2032626	1

\*XXXX = LIFTGATE CAPACITY (LBS) [EXAMPLE PART NUMBER: ATG- 2200]

Palfinger Interlift, LLC.  
 15939 Piuma Ave, Cerritos, CA 90703  
 Tel: (888) 774-5844, Fax: (562) 924-8318

Palfinger Interlift, LLC.  
 572 Whitehead Road, Trenton, NJ 08619  
 Tel: (609) 587-4200, Fax: (609) 587-4201



Palfinger Interlift, LLC.  
15939 Piuma Ave, Cerritos, CA 90703  
Tel: (888) 774-5844, Fax: (562) 924-8318

Palfinger Interlift, LLC.  
572 Whitehead Road, Trenton, NJ 08619  
Tel: (609) 587-4200, Fax: (609) 587-4201