



**LIFTGATES**

# **ILU 4000,5000 PARTS MANUAL**

**ECN-M0XXX Rev. 2.2, Date 04-23-2014 Part #90-1314-000**

---

*PALFINGER Liftgates, LLC. 15939 Piuma Ave., Cerritos, CA 90703*

*Tel (888)-774-5844 Fax (562)-924-8318*

*PALFINGER Liftgates, LLC. 572 Whitehead Road, Trenton, NJ 08619*

*Tel (609)-587-4200 Fax (609)-587-4201*

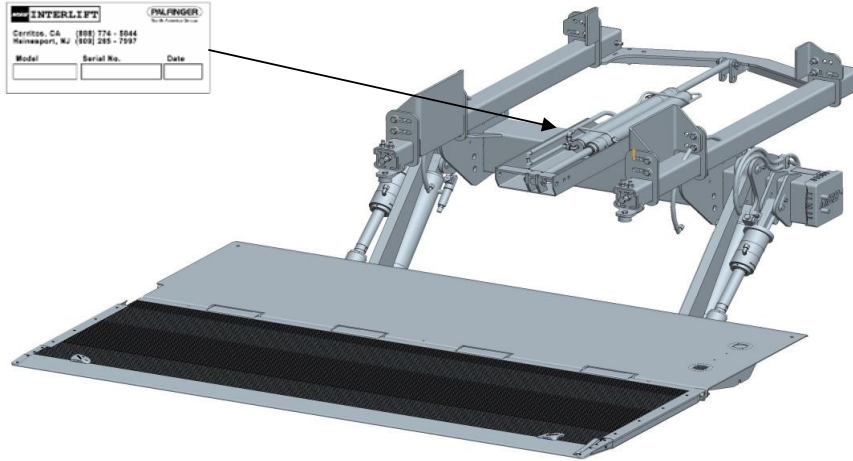
[Visit our website at www.palfinger.com](http://www.palfinger.com) for up to date information and notifications

**If you received this product with damaged or missing parts,  
Please contact PALFINGER Liftgates at (888)-774-5844**

**INDEX**

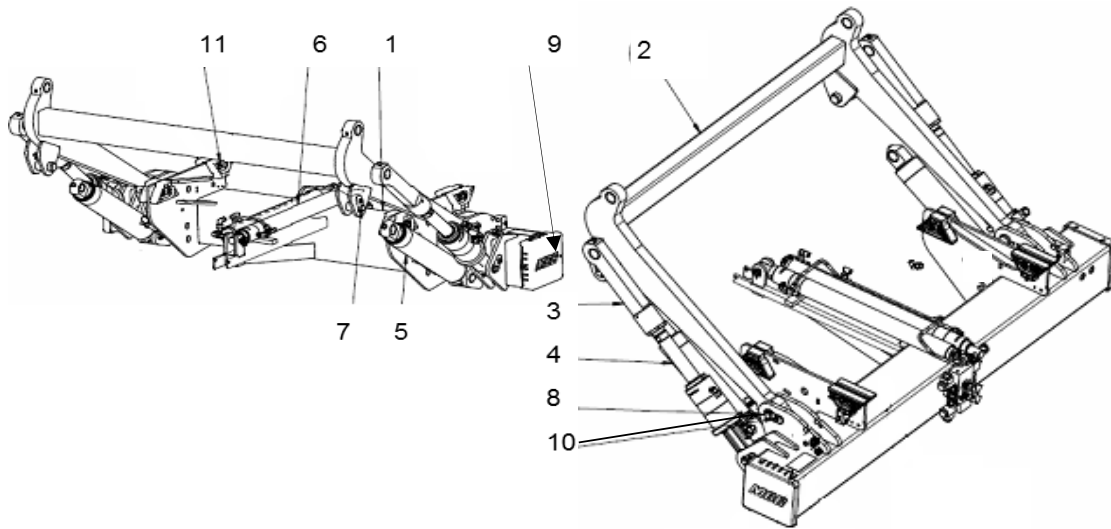
**ILU - Liftgate**

Important gate information:  
On the top of the main tube, in which the power powerpack is installed



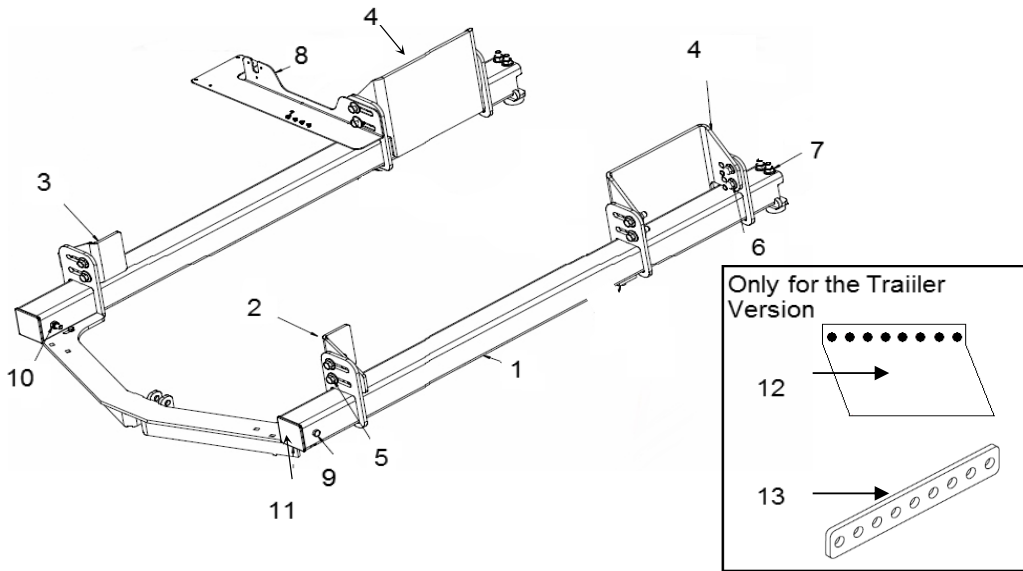
	<b>Description</b>	<b>Page</b>
	LIFTING GEAR	3
	SLIDE RAILS	4
	PLATFORM STEEL-ALUMINUM	5
	CART STOP	6
	ROLLER KIT	7
	CONTROL SYSTEM	8
	CYLINDER	9
	LIFTCYLINDER	10
	TILTCYLINDER	11
	PUSH- PULL CYLINDER	12
	POWER PACK MBB	13
	HYDRAULIC PIPE	14

**ILU Lifting Gear**



No.	Description	Part No.
1	Frame	P-2020153
2	Liftarm, 800mm	P-2020747
3	Adjust Head, Tilt Cylinder 800mm	P-1350050
4	Tilt cylinder 40.36.596	P-2017211
5	Lift cylinder 70.36.516	P-2004093
6	Push Pull cylinder	P-1407997
7	Pin, upper lift cylinder 36x78mm	P-1350394
8	Pin, lower lift arm 40x95mm	P-1331371
9	Rubber Cover 7x7"	P-68483018
10	Bolt, Pin Lock M8x16mm	P-2009212
11	Slider Pad, Kit & Clutch, Bolts and Nuts	P-2014290A

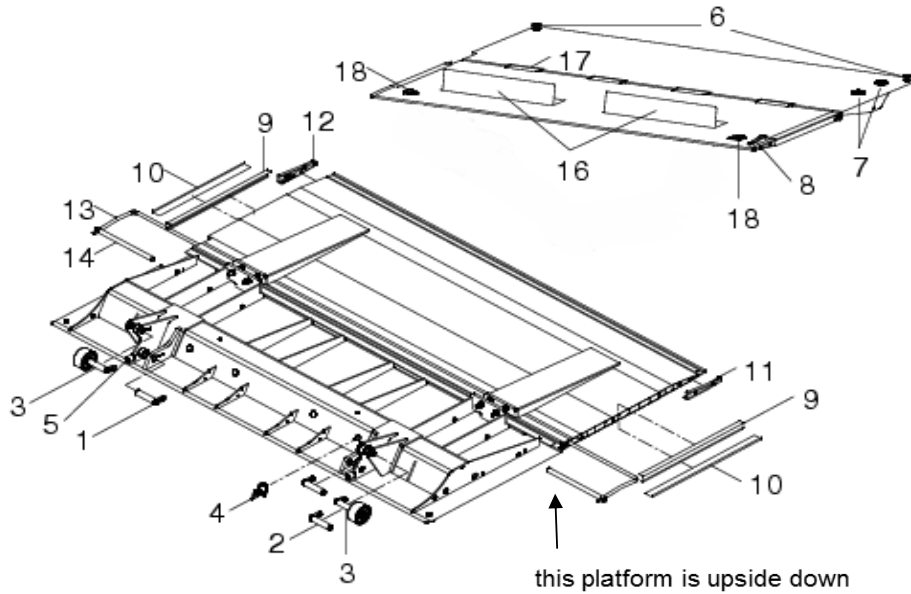
**ILU Slide Rails**



No.	Description	Part No.
1	Slider rail	P-2016005
2	Mount plate, front driver side	P-2016715
3	Mount plate, front curb side	P-2016716
4	Mount plate, back both sides	P-2016003
5	Screw, hex head w/ locking plate M16x50mm	P-2014969
6	Nut, hex head w/ locking plate	P-2014971
7	Endplate, Kit, incl. Screws, Nuts, Rubber Snubber	P-2015999A
8	Mount for Controlbox	P-2015998
9	Screw, hex head M12x120mm	P-1090017
10	Nut, hex head, M12	P-1409457
11	Cover, Rail, Plastic	P-2013599
<u>Only for the Trailer Version</u>		
12	Bracket, bolt on, .375A36	65-1310-101
13	Spacer Plate, bolt on	65-1311-001

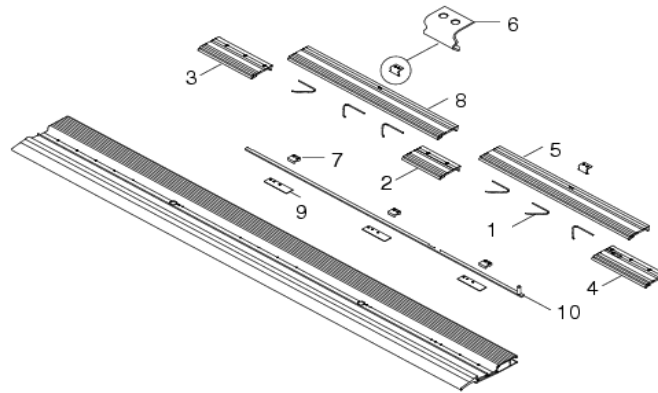
## ILU Platform

### Steel-Aluminum platform



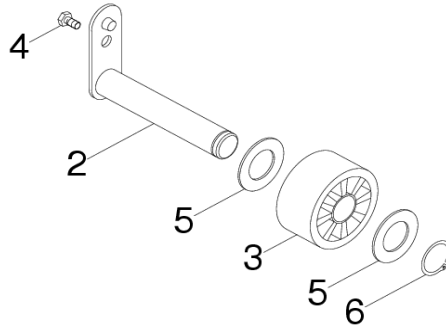
No.	Description	Part No.
1	Pin, upper lift arm 36x120mm	P-1350858
2	Pin, upper tilt cylinder 36x198mm	P-1358176
3	Rollerkit	P-1358181
4	Cover, plastic	P-2019337
5	Spacer bushing 12x28x35mm, plastic	P-2014209
6	Rubber snubber w/ hex head bolt	P-71042936
7	Foot control button 2-wire	P-1330945
8	Handlestrap	P-1201681
9	Cap, Side Bottom Ang, 67"	P-9832521700
10	Cap, Side Top Flat 71"	P-1244631
11	Cap tip curb side, plastic with cart stops	P-9083239000
12	Cap tip driver side, plastic with cart stops	P-9083238000
13	Torsion bar, 13x1430mm	P-9083175090
14	Torsion bar retainer 22x380	P-9083174015
16	Cart stop lid, curb side	P-1406251
	Cart stop lid, driver side	P-1406251
17	Hinge - 20mm hole	P-9832240195
18	Warning light	P-2019307
	Platform, steel-alu specific length and width size	on request
	Main section, specific length and width size	on request
	Tip section, specific length and width size	on request

**ILU Cart Stop**



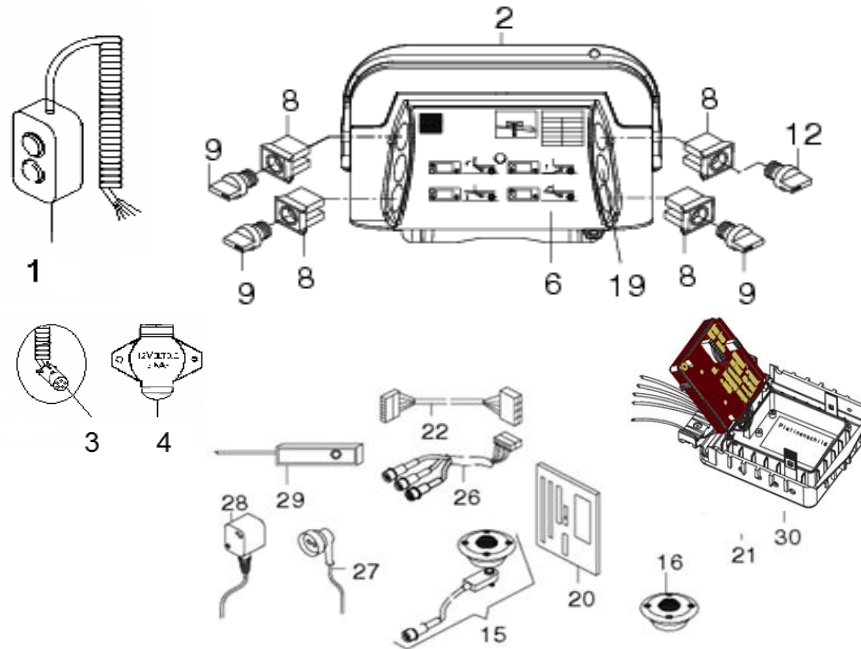
No.	Description	Part No.
1	Spring Wire, Cart Stop	P-1408661
2	Filler, Cart Stop Center	P-2003302
3	Filler, Cart Stop left	P-2003303
4	Filler, Cart Stop right w/notch	P-2003301
5	Lid, Cart Stop, Driver Side	P-1406251
6	Clip, Hold Down, Cart Stop	P-1406249
7	C- Clip, 1.38", Sq w/holes	P-2004637
8	Lid, Cart Stop, Curb Side	P-1406251
9	Rod suport 1.38x4.75"	P-1406245
10	Sliding Rod	P-1406248

**ILU Roller Kit**



No.	Description	Part No.
1	Rollerkit	P-1358181
2	Pin, upper tilt cylinder 36x198mm	P-1358176
3	Nylon Roller	P-1111393
4	Bolt, Pin Lock M8x16mm	P-2009212
5	Washer	P-1111379
6	Snap Ring	P-1111388

**ILU CONTROL SYSTEM**

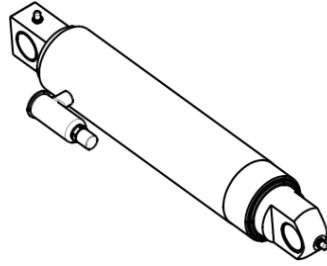


No.	Description	Part No.
1	2 Button hand control with coil	P-72916816
	2 Button hand control with coil and 4 way plug	P-72916816P
	2 Button hand control with coil and 7way plug	P-1300135
2	Flip down lid	P-2007476
3	Plug, 4 way	3-00010
	Plug, Hella, 7 way	P-1237109
4	Socket, 4 way	3-00011
	Socket, Hella, 7 way w/ seal	P-1299912A
6	Operating Decal	P-2007416
8	Contact block	P-2007457
9	Momentary turn knob	P-2007456
12	On- off switch	P-2009186
15	Foot control button 2 wire	P-1330945
16	Foot control button	P-1405256
20	PC- board M Control	P-2029091
21	Cover with hinge, for control system	P-2029906
22	Wire harness for power pack (J1)	P-2010018
26	Wire harness for warning lights and foot control (J3)	P-1342776
27	Solenoid Plug w/long cable(J1), (J4), (J42.1)	P-67254198
28	Sensor B15 for platform (J41)	P-1332485
29	Sensor B13 for lift arm (J41)	P-1332476
30	Clamp for cover	P-2010169

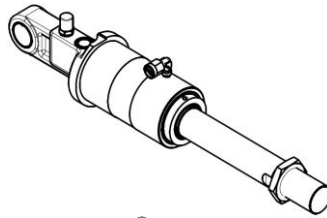


**ILU Cylinder**

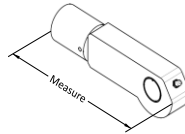
**No.1 Lift cylinder**



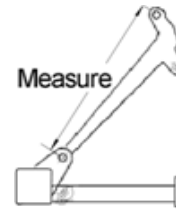
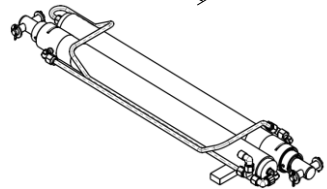
**No.2 Tilt cylinder**



**No.3 Adjusting head**



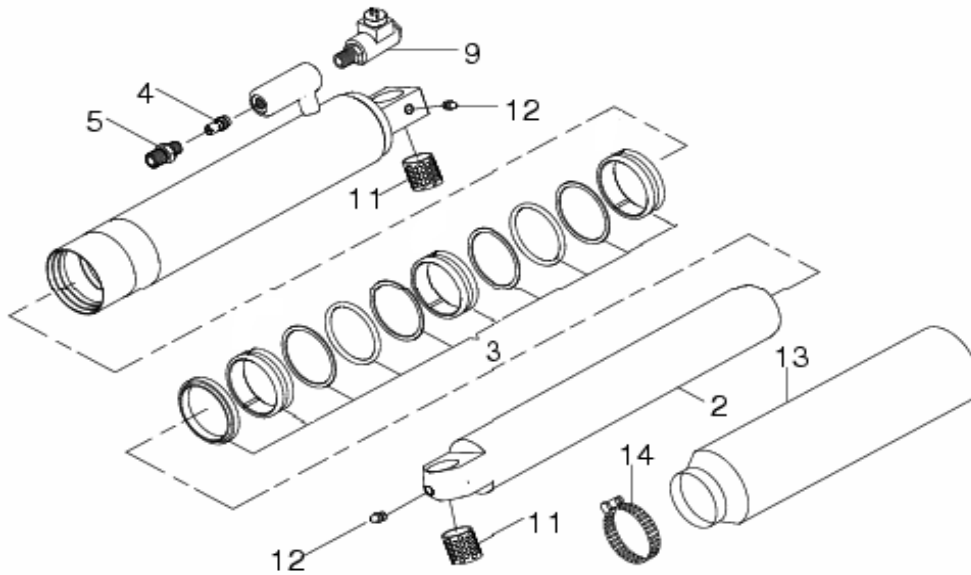
**No.4 Push-pull cylinder**



**Lift arm 800mm (31½")**

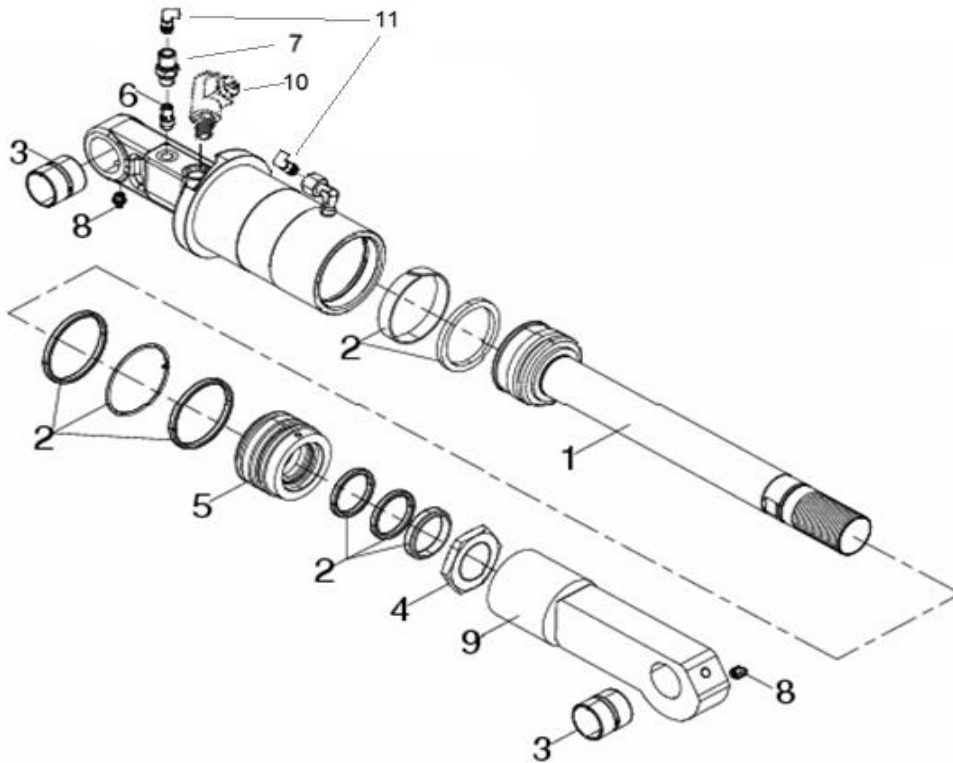
No.	Description	Part No.
1	Lift cylinder 70.36.516	P-2004093
2	Tilt cylinder 40.36.596	P-2017211
3	Adjusting head 10 ½"	P-1350050
4	Push-pull cylinder 30.16.820 600mm	P-1407997

**ILU Liftcylinder**



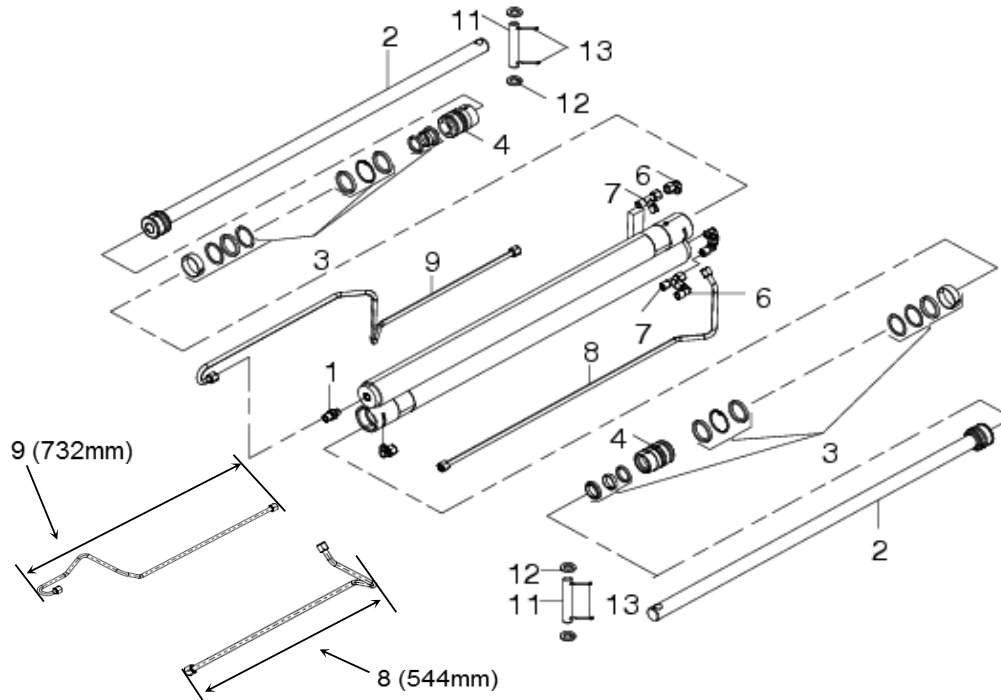
No.	Description	Part No.
1	Lift cylinder 70.36.516	P-2004093
2	Piston rod 70.36.462	P-2004096
3	Lift Rebuild kit 70mm	P-2021847
4	Restrictor No.4	P-1363828
5	Adaptor / hose fitting	P-1188263
9	Valve, double locking	P-1284466
11	Bushing 40x36x41	P-1403363
12	Grease nipple, 45 degrees	P-1284493
13	Sleeve, rubber, lift cylinder	P-1098362
14	Clamp 60-80/9	P-68734258

**ILU Tiltcylinder**



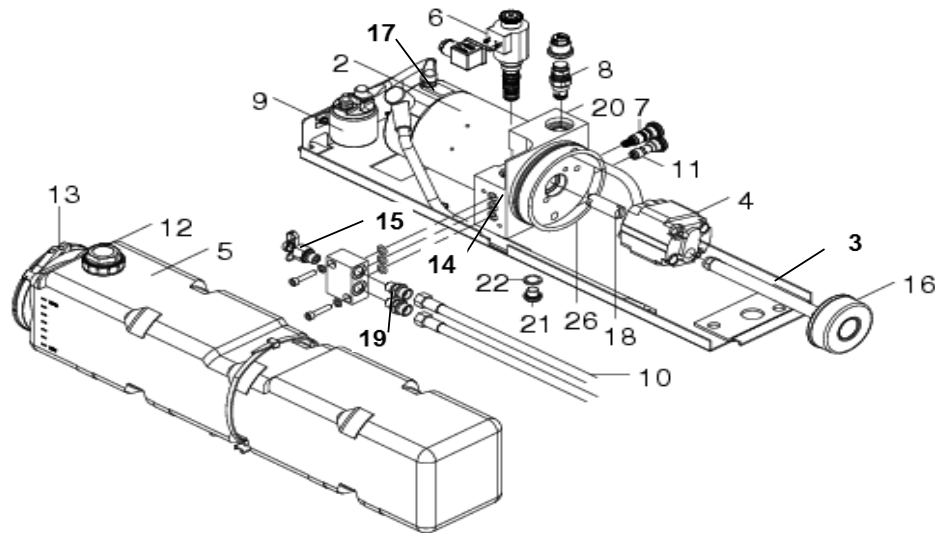
No.	Description	Part No.
1	Piston rod, tilt cylinder	P-1410866
2	Rebuild kit, tilt cylinder	P-1330683
3	Bushing 40x36x41mm	P-1403363
4	Lock nut, tilt cylinder	P-71597563
5	End plug, tilt cylinder	P-68813557
6	Restrictor 6 l/min	P-1325551
7	Adaptor 1/4 X 10L hose fitting	P-1188263
8	Grease zerk w/ red cap	P-2019653
9	Adjusting head 10 1/2"	P-1350050
10	Valve, single locking	P-67282345
11	Fitting, 90 deg	P-1232266

**ILU Push-Pull Cylinder**



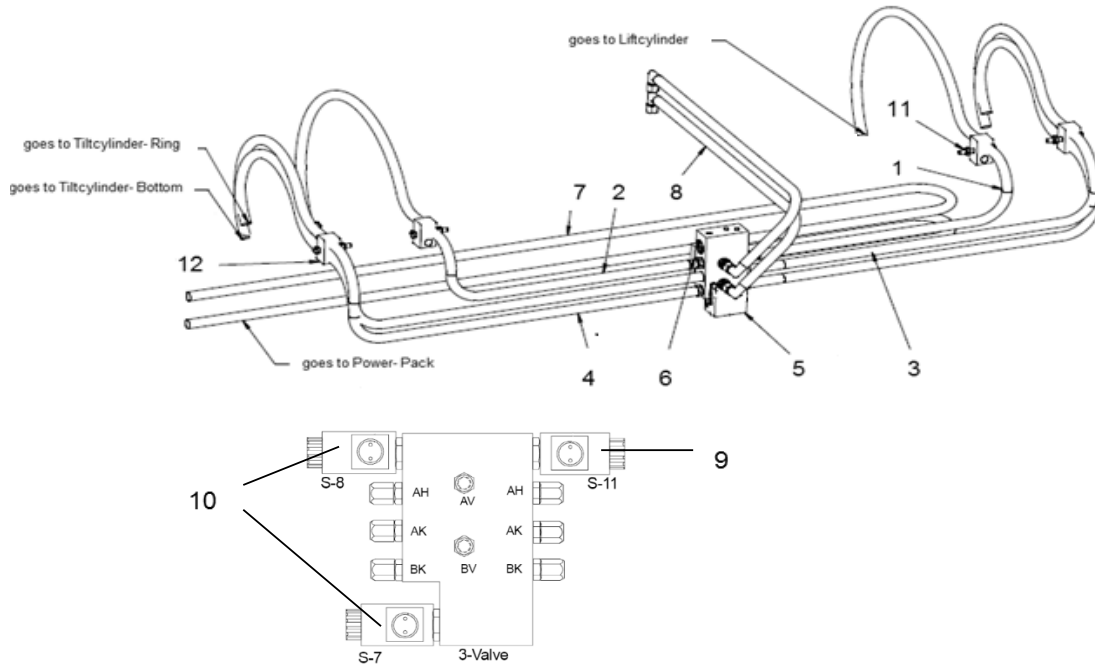
No.	Description	Part No.
1	Adaptor 1/4 X 10L Hose Fitting	P-1188263
2	Piston rod - 30.16.760, 600mm	P-1408947
3	Rebuild kit	P-1330763
4	End plug, Push-Pull Cylinder	P-1402032
6	Fitting - 90°	P-1232266
7	Tee- Fitting	P-1111075
8	Pipe,Steel, 544mm	P-1407989
9	Pipe, Steel,732mm	P-1407990
11	Clevis pin,Kit, incl. cotter pin & Washer	P-1330089

**ILU Power Pack**



No.	Description	Part No.
1	Power pack w/tray , complete	P-1406000
2	Motor 12 Volt	P-1353555
3	Pipe	on request
4	Pump, 2ccm	P-1298068
5	Oil reservoir, 8liter	P-1362483
6	Shift valve (S-5)	P-1299412
7	Flow divider spring & plunger	P-1405972
8	Pressure relief valve	P-1298111
9	Motor solenoid	P-1320127
10	Hydraulic hoses to valve block	P-1112885
11	Flow control valve (R5)	P-1298086
12	Breather cap	P-1362518
13	Clamp for oil reservoir	P-1362509
14	O-ring Oil Reservoir	P-1297972
15	Hydraulic hose Adapter - Gauge	P-71067009
16	Filter for pump	P-1298022
17	Carbon brushes kit (4 pieces)	P-1410330
18	Coupler 17x48	P-1406264
19	Adaptor 1/4 X 10l Hose Fitting	P-1188263
21	Drain plug	P-66373088
22	Sealing washer	P-1298013

## ILU Hydraulic Pipe



No.	Description	Part- No.
1	Hose, 1400mm	P-1273114
2	Hose, 1400mm	P-1273114
3	Hose, 1400mm	P-1273114
4	Hose, 1400mm	P-1273114
5	Hose & valve block, 3 valves	P-1409657
6	Rubber pad, between tube and block	P-1114049
7	Hydraulic hose x 2000 W/90	P-1112885
8	Hydraulic hose slider kit	P-2021337A
9	Valve, single locking	P-67282345
10	Valve, double locking	P-1284466
11	Lock nut, 8mm	P-67243366
12	Plastic holder, hose system	P-1406960