

INTERLIFT

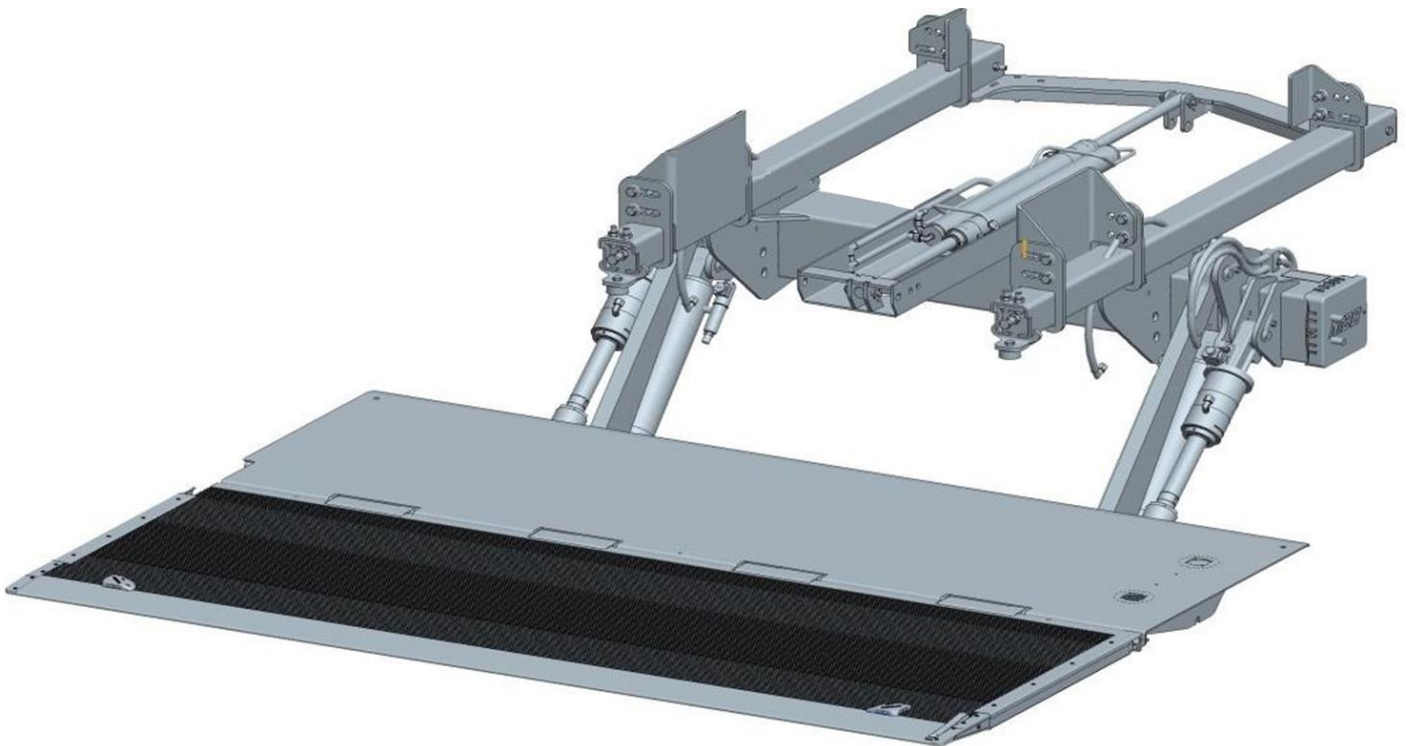


BY PALFINGER

PARTS MANUAL

ILU 40, 4000 lbs. Capacity

ILU 50, 5000 lbs. Capacity



ILU 40/50 Parts Manual
Document Part Number: 90-1314-000
ECN-M1723, Rev. 2.3, 01-22-24
Copyright © 2023 Palfinger Interlift, LLC.
All rights reserved.

Information in this document is subject to change without notice.
Visit www.palfinger.com for up to date information and notifications.

If you received this product with damaged or missing parts,
contact INTERLIFT Liftgates at (888)-774-5844

Parts Order/Inquiries
liftgateparts@palfinger.com

Technical Support
technicalapplications@palfinger.com

INTERLIFT
BY **PALFINGER**
15939 Piuma Ave.
Cerritos, CA 90703
Tel (888) 774-5844
Fax (562) 924-8318

INTERLIFT
BY **PALFINGER**
572 Whitehead Road.
Trenton, NJ 08619
Tel (609) 587-4200
Fax (609) 587-4201

Parts Orders:

- There is a \$50.00 minimum parts order.
- Ground freight is free for spare parts orders exceeding \$1,500.00, excluding platforms, runners, mount frames and other main assemblies.
- Contact parts department, our hours are from 8 am EST in NJ until 5 pm PST in CA
California: (888) 774-5844, or (562)924-8218, ext. 97, 29 , or 15; Fax: (562) 924-8318.
New Jersey: at (609) 587-4200; Fax: (609) 587-4201.
E-mail orders or inquires for both locations to: liftgateparts@palfinger.com
- Next Day Air shipments must be received by 2:30 pm local time at either location.
- To ensure quick delivery when placing an order, please be sure to include: liftgate model, serial number, part number, and description in accordance with spare Parts List.
- Any parts being returned must have Return Merchandise Authorization (RMA) number, copy of invoice and a detailed packing list of returned parts. RMA numbers will be issued by parts department and are valid for 30 days. All returned RMA parts must be returned to INTERLIFT Liftgates by prepaid freight or by call tag.
- Parts must be returned in NEW CONDITION. To receive credit on returned parts, the original purchase date must be within 6 month and authorized by INTERLIFT Liftgates.
- Returned parts are subject to a 20% restocking charge.
- Any part received not in new condition will be subject to inspection and possible refusal. All INTERLIFT Liftgates parts are covered for one year from date of purchase against defects in material and workmanship.
- **Warranty Coverage: part replacement only**

INDEX

ILU - Liftgate

Under Slider

Important gate information:
On the top of the main tube, in which the power
powerpack is installed

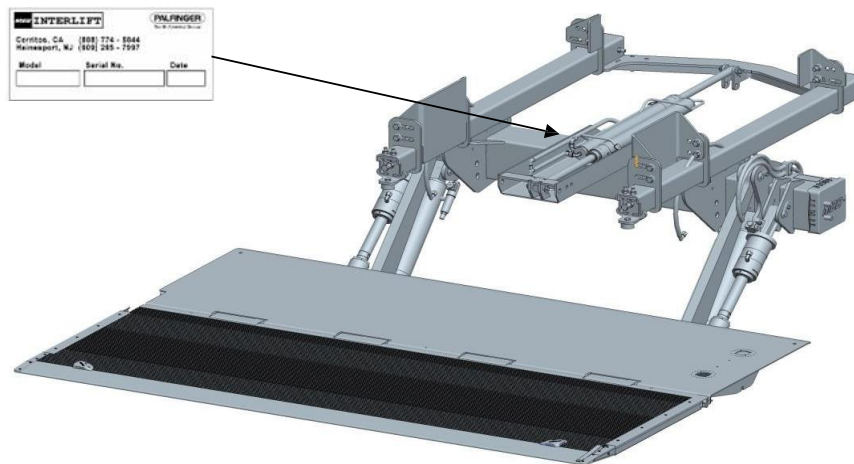


Table of Contents

ILU Lifting Gear5

ILU Slide Rails6

ILU Platform7

ILU Cart Stop.....8

ILU Roller Kit9

ILU CONTROL SYSTEM.....10

ILU Cylinder.....11

ILU Liftcylinder.....12

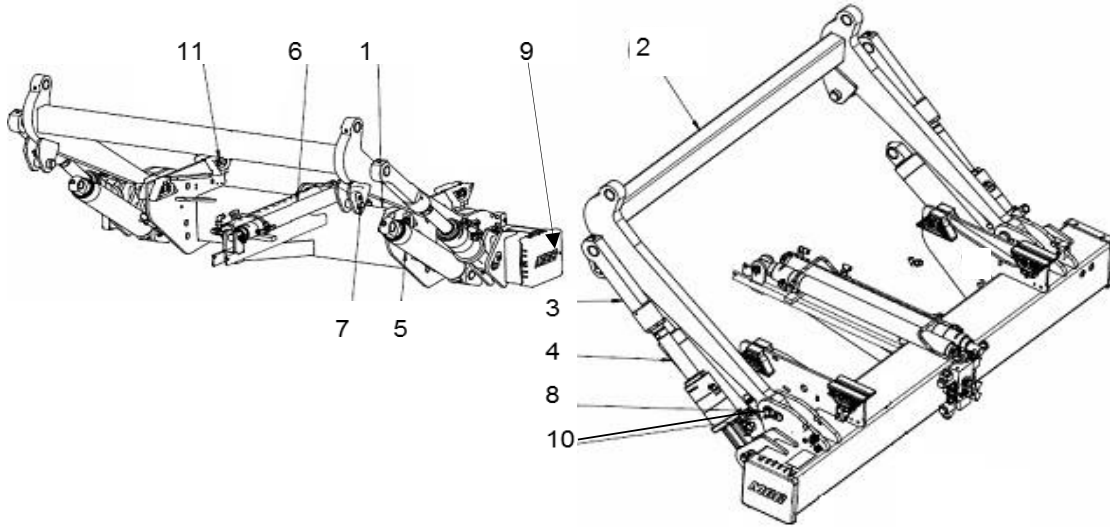
ILU Tiltcylinder.....13

ILU Push-Pull Cylinder14

ILU Power Pack.....15

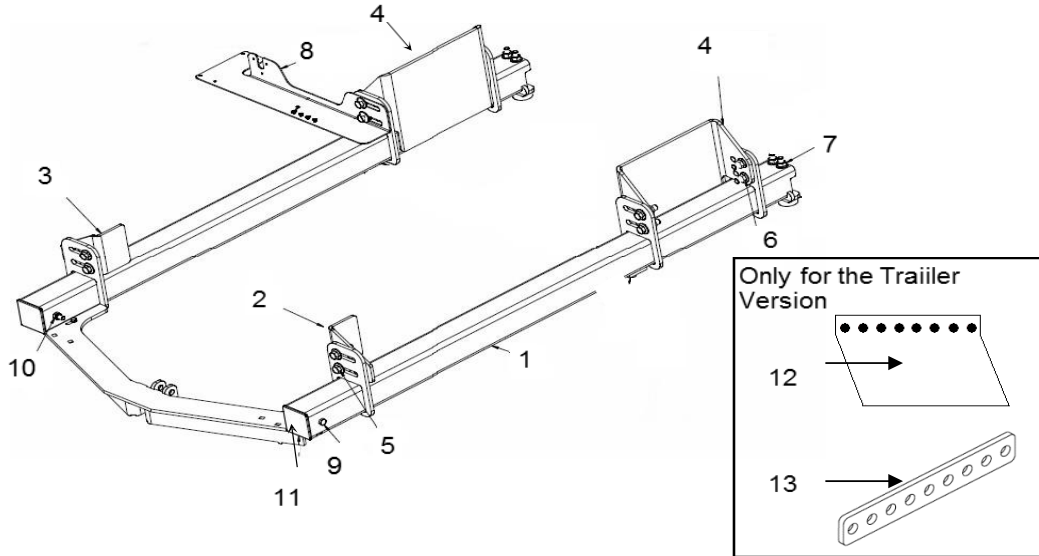
ILU Hydraulic Pipe16

ILU Lifting Gear



No.	Description	Part No.
1	Frame	P-2020153
2	Liftarm, 800mm	P-2020747
3	Adjust Head, Tilt Cylinder 800mm	P-1350050
4	Tilt cylinder 40.36.596	P-2017211
5	Lift cylinder 70.36.516	P-2004093
6	Push Pull cylinder	P-1407997
7	Pin, upper lift cylinder 36x78mm	P-1350394
8	Pin, lower lift arm 40x95mm	P-1331371
9	Rubber Cover 7x7"	P-68483018
10	Bolt, Pin Lock M8x16mm	P-2009212
11	Slider Pad, Kit & Clutch, Bolts and Nuts	P-2014290A

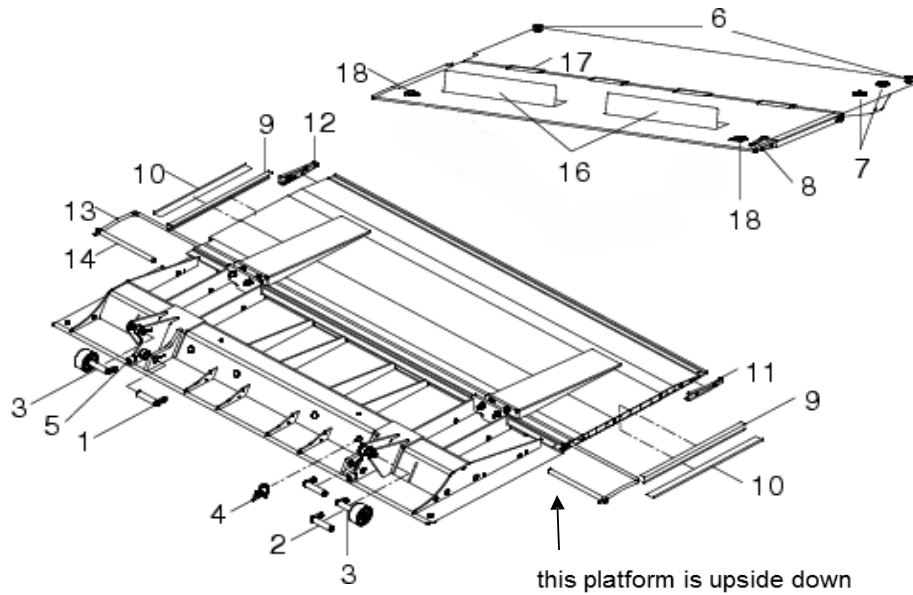
ILU Slide Rails



No.	Description	Part No.
1	Slider rail	P-2016005
2	Mount plate, front driver side	P-2016715
3	Mount plate, front curb side	P-2016716
4	Mount plate, back both sides	P-2016003
5	Screw, hex head w/ locking plate M16x50mm	P-2014969
6	Nut, hex head w/ locking plate	P-2014971
7	Endplate, Kit, incl. Screws, Nuts, Rubber Snubber	P-2015999A
8	Mount for Controlbox	P-2015998
9	Screw, hex head M12x120mm	P-1090017
10	Nut, hex head, M12	P-1409457
11	Cover, Rail, Plastic	P-2013599
<u>Only for the Trailer Version</u>		
12	Bracket, bolt on, .375A36	65-1310-101
13	Spacer Plate, bolt on	65-1311-001

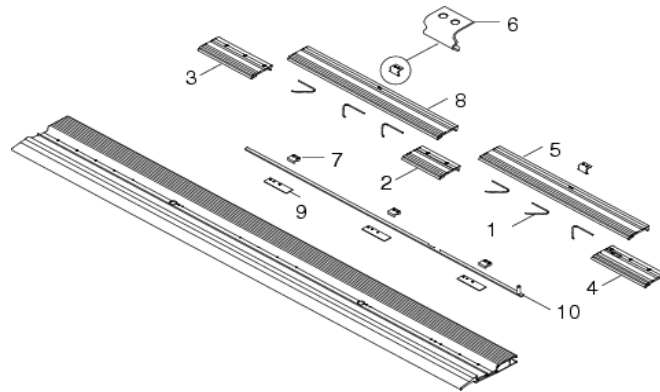
ILU Platform

Steel-Aluminum platform



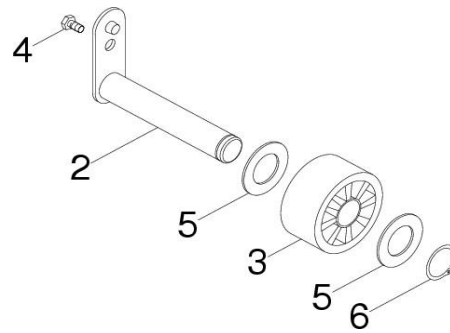
No.	Description	Part No.
1	Pin, upper lift arm 36x120mm	P-1350858
2	Pin, upper tilt cylinder 36x198mm	P-1358176
3	Rollerkit	P-1358181
4	Cover, plastic	P-2019337
5	Spacer bushing 12x28x35mm, plastic	P-2014209
6	Rubber snubber w/ hex head bolt	P-71042936
7	Foot control button 2-wire	P-1330945
8	Handlestrap	P-1201681
9	Cap, Side Bottom Ang, 67"	P-9832521700
10	Cap, Side Top Flat 71"	P-1244631
11	Cap tip curb side, plastic with cart stops	P-9083239000
12	Cap tip driver side, plastic with cart stops	P-9083238000
13	Torsion bar, 13x1430mm	P-9083175090
14	Torsion bar retainer 22x380	P-9083174015
16	Cart stop lid, curb side	P-1406251
	Cart stop lid, driver side	P-1406251
17	Hinge - 20mm hole	P-9832240195
18	Warning light	P-2019307
	Platform, steel-alu specific length and width size	on request
	Main section, specific length and width size	on request
	Tip section, specific length and width size	on request

ILU Cart Stop



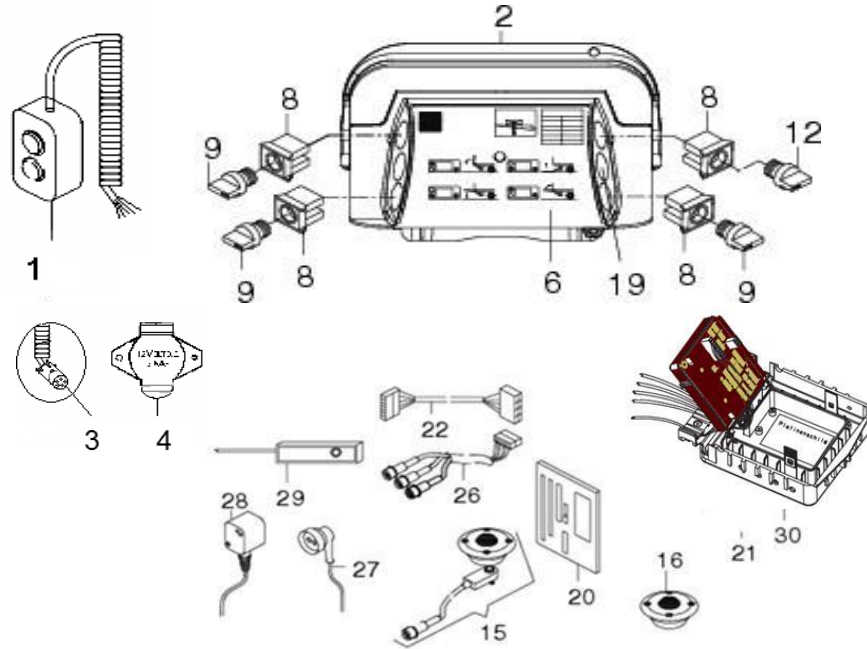
No.	Description	Part No.
1	Spring Wire, Cart Stop	P-1408661
2	Filler, Cart Stop Center	P-2003302
3	Filler, Cart Stop left	P-2003303
4	Filler, Cart Stop right w/notch	P-2003301
5	Lid, Cart Stop, Driver Side	P-1406251
6	Clip, Hold Down, Cart Stop	P-1406249
7	C- Clip, 1.38", Sq w/holes	P-2004637
8	Lid, Cart Stop, Curb Side	P-1406251
9	Rod suport 1.38x4.75"	P-1406245
10	Sliding Rod	P-1406248

ILU Roller Kit



No.	Description	Part No.
1	Rollerkit	P-1358181
2	Pin, upper tilt cylinder 36x198mm	P-1358176
3	Nylon Roller	P-1111393
4	Bolt, Pin Lock M8x16mm	P-2009212
5	Washer	P-1111379
6	Snap Ring	P-1111388

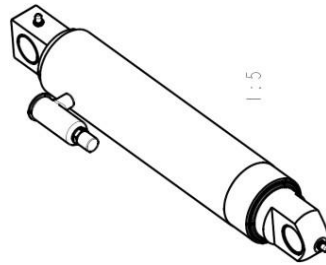
ILU CONTROL SYSTEM



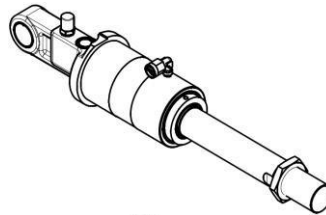
No.	Description	Part No.
1	2 Button hand control with coil	P-72916816
	2 Button hand control with coil and 4 way plug	P-72916816P
	2 Button hand control with coil and 7way plug	P-1300135
2	Flip down lid	P-2007476
3	Plug, 4 way	3-00010
	Plug, Hella, 7 way	P-1237109
4	Socket, 4 way	3-00011
	Socket, Hella, 7 way w/ seal	P-1299912A
6	Operating Decal	P-2007416
8	Contact block	P-2007457
9	Momentary turn knob	P-2007456
12	On- off switch	P-2009186
15	Foot control button 2 wire	P-1330945
16	Foot control button	P-1405256
20	PC- board M Control	P-2029091A
21	Cover with hinge, for control system	P-2029906
22	Wire harness for power pack (J1)	P-2010018
26	Wire harness for warning lights and foot control (J3)	P-1342776
27	Solenoid Plug w/long cable(J1), (J4), (J42.1)	P-67254198
28	Sensor B15 for platform (J41)	P-1332485
29	Sensor B13 for lift arm (J41)	P-1332476
30	Clamp for cover	P-2010169

ILU Cylinder

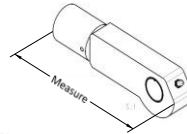
No.1 Lift cylinder



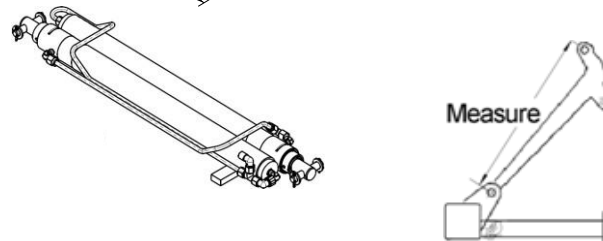
No.2 Tilt cylinder



No.3 Adjusting head



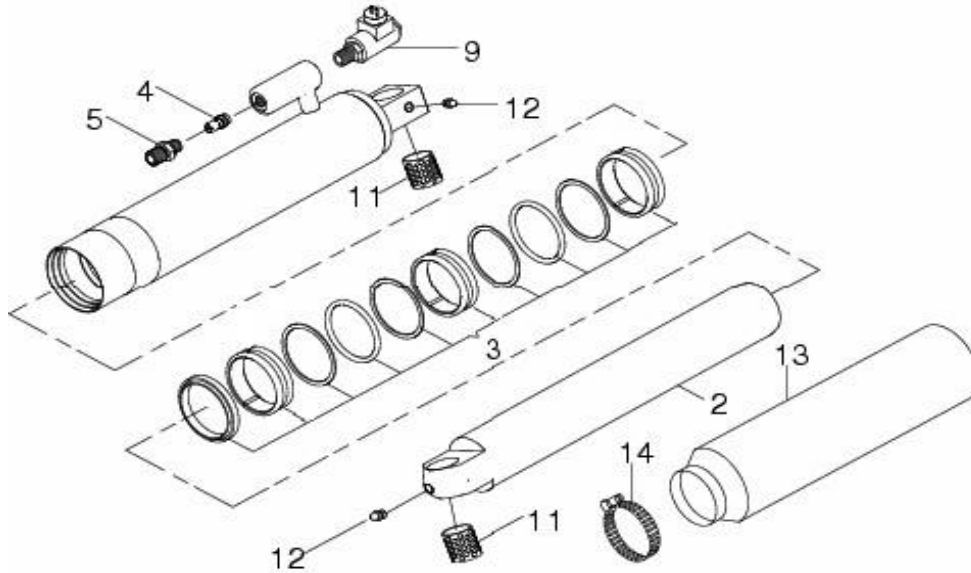
No.4 Push-pull cylinder



Lift arm 800mm (31½")

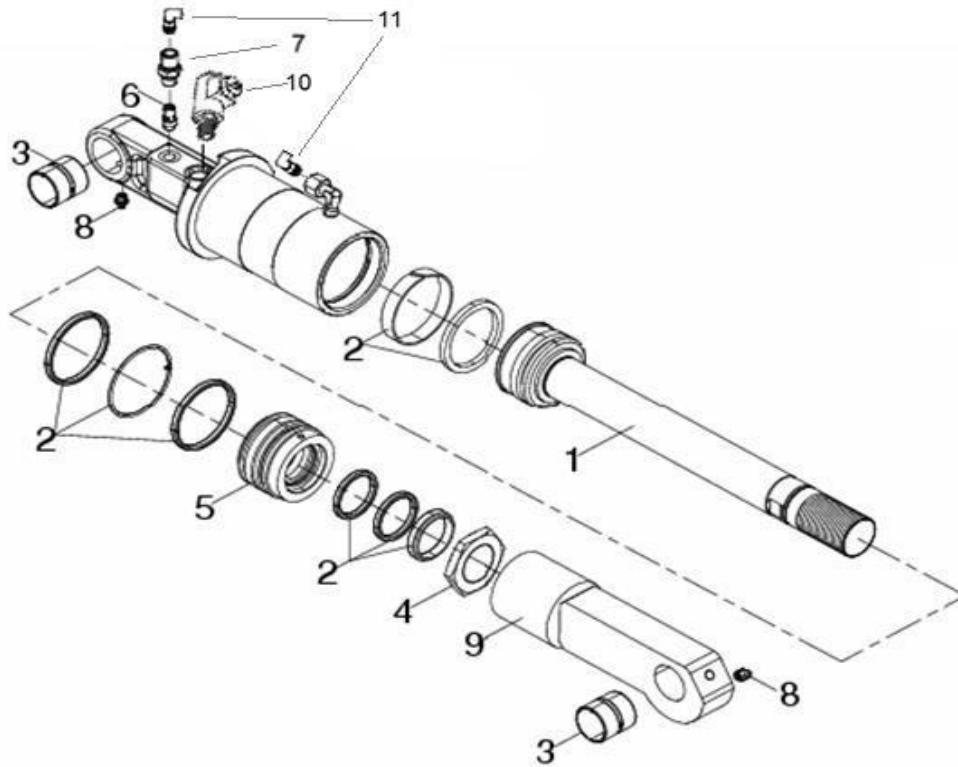
No.	Description	Part No.
1	Lift cylinder 70.36.516	P-2004093
2	Tilt cylinder 40.36.596	P-2017211
3	Adjusting head 10 ½"	P-1350050
4	Push-pull cylinder 30.16.820 600mm	P-1407997

ILU Liftcylinder



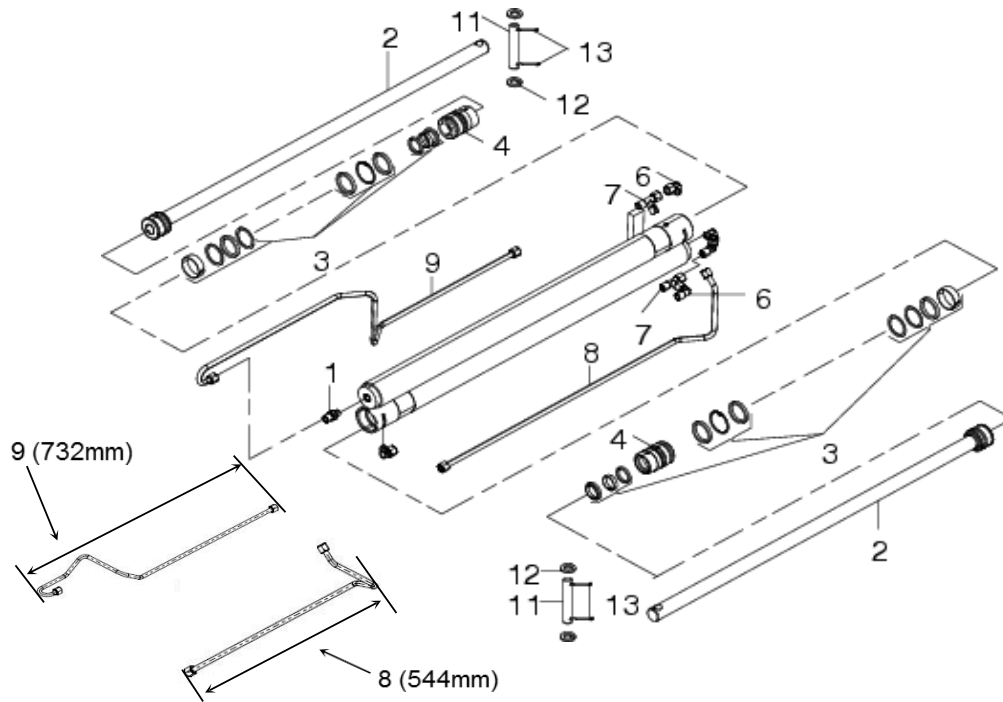
No.	Description	Part No.
1	Lift cylinder 70.36.516	P-2004093
2	Piston rod 70.36.462	P-2004096
3	Lift Rebuild kit 70mm	P-2021847
4	Restrictor No.4	P-1363828
5	Adaptor / hose fitting	P-1188263
9	Valve, double locking	P-1284466
11	Bushing 40x36x41	P-1403363
12	Grease nipple, 45 degrees	P-1284493
13	Sleeve, rubber, lift cylinder	P-1098362
14	Clamp 60-80/9	P-68734258

ILU Tiltcylinder



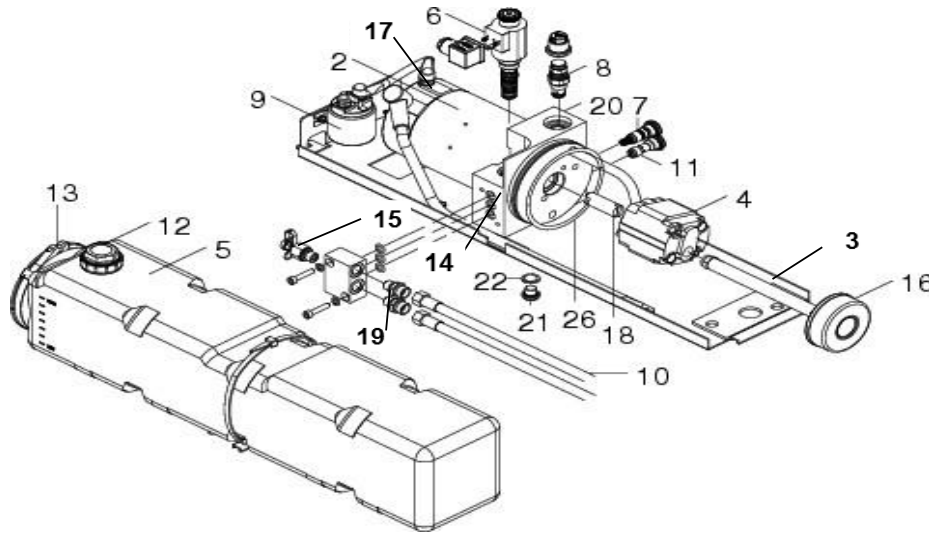
No.	Description	Part No.
1	Piston rod, tilt cylinder	P-1410866
2	Rebuild kit, tilt cylinder	P-1330683
3	Bushing 40x36x41mm	P-1403363
4	Lock nut, tilt cylinder	P-71597563
5	End plug, tilt cylinder	P-68813557
6	Restrictor 6 l/min	P-1325551
7	Adaptor 1/4 X 10L hose fitting	P-1188263
8	Grease zerk w/ red cap	P-2019653
9	Adjusting head 10 1/2"	P-1350050
10	Valve, single locking	P-67282345
11	Fitting, 90 deg	P-1232266

ILU Push-Pull Cylinder



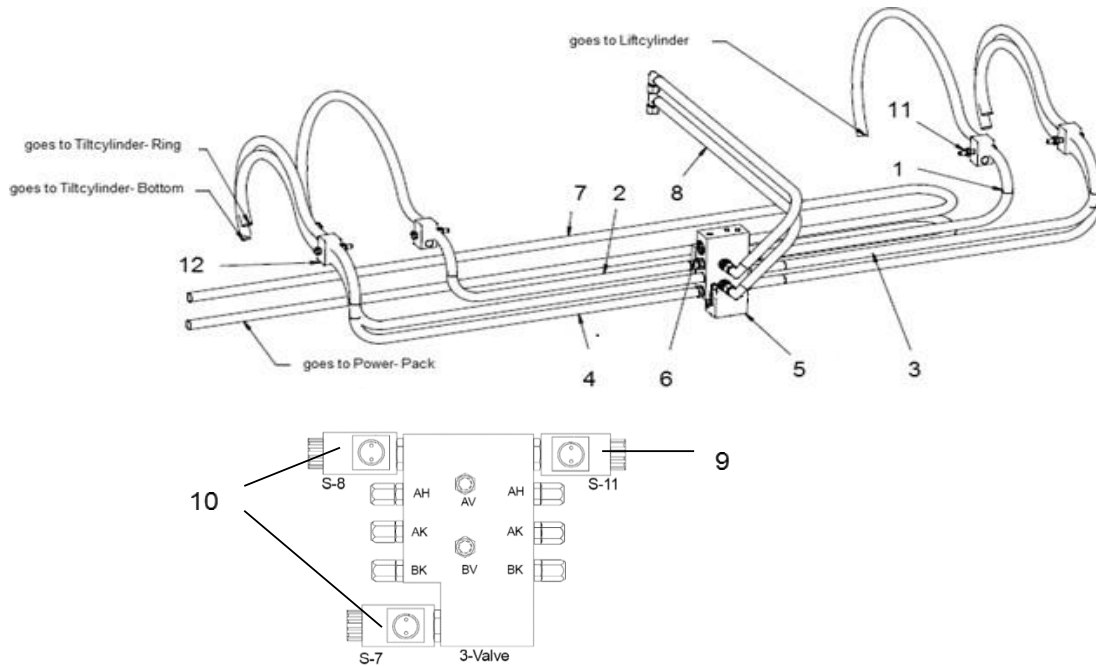
No.	Description	Part No.
1	Adaptor 1/4 X 10L Hose Fitting	P-1188263
2	Piston rod - 30.16.760, 600mm	P-1408947
3	Rebuild kit	P-1330763
4	End plug, Push-Pull Cylinder	P-1402032
6	Fitting - 90°	P-1232266
7	Tee- Fitting	P-1111075
8	Pipe,Steel, 544mm	P-1407989
9	Pipe, Steel,732mm	P-1407990
11	Clevis pin,Kit, incl. cotter pin & Washer	P-1330089

ILU Power Pack



No.	Description	Part No.
1	Power pack w/tray , complete	P-1406000
2	Motor 12 Volt	P-1353555
3	Pipe	on request
4	Pump, 2ccm	P-1298068
5	Oil reservoir, 8liter	P-1362483
6	Shift valve (S-5)	P-1299412
7	Flow divider spring & plunger	P-1405972
8	Pressure relief valve	P-1298111
9	Motor solenoid	P-1320127
10	Hydraulic hoses to valve block	P-1112885
11	Flow control valve (R5)	P-1298086
12	Breather cap	P-1362518
13	Clamp for oil reservoir	P-1362509
14	O-ring Oil Reservoir	P-1297972
15	Hydraulic hose Adapter - Gauge	P-71067009
16	Filter for pump	P-1298022
17	Carbon brushes kit (4 pieces)	P-1410330
18	Coupler 17x48	P-1406264
19	Adaptor 1/4 X 10l Hose Fitting	P-1188263
21	Drain plug	P-66373088
22	Sealing washer	P-1298013

ILU Hydraulic Pipe



No.	Description	Part- No.
1	Hose, 1400mm	P-1273114
2	Hose, 1400mm	P-1273114
3	Hose, 1400mm	P-1273114
4	Hose, 1400mm	P-1273114
5	Hose & valve block, 3 valves	P-1409657
6	Rubber pad, between tube and block	P-1114049
7	Hydraulic hose x 2000 W/90	P-1112885
8	Hydraulic hose slider kit	P-2021337A
9	Valve, single locking	P-67282345
10	Valve, double locking	P-1284466
11	Lock nut, 8mm	P-67243366
12	Plastic holder, hose system	P-1406960

