



**LIFTGATES**

# **ILSL PARTS MANUAL**

**Rev. 1.0, Date 02-13-2014 Part #90-1614-000**

---

*PALFINGER Liftgates, LLC. 15939 Pioma Ave., Cerritos, CA 90703  
Tel (888)-774-5844 Fax (562)-924-8318*

*PALFINGER Liftgates, LLC. 572 Whitehead Road, Trenton, NJ 08619  
Tel (609)-587-4200 Fax (609)-587-4201*

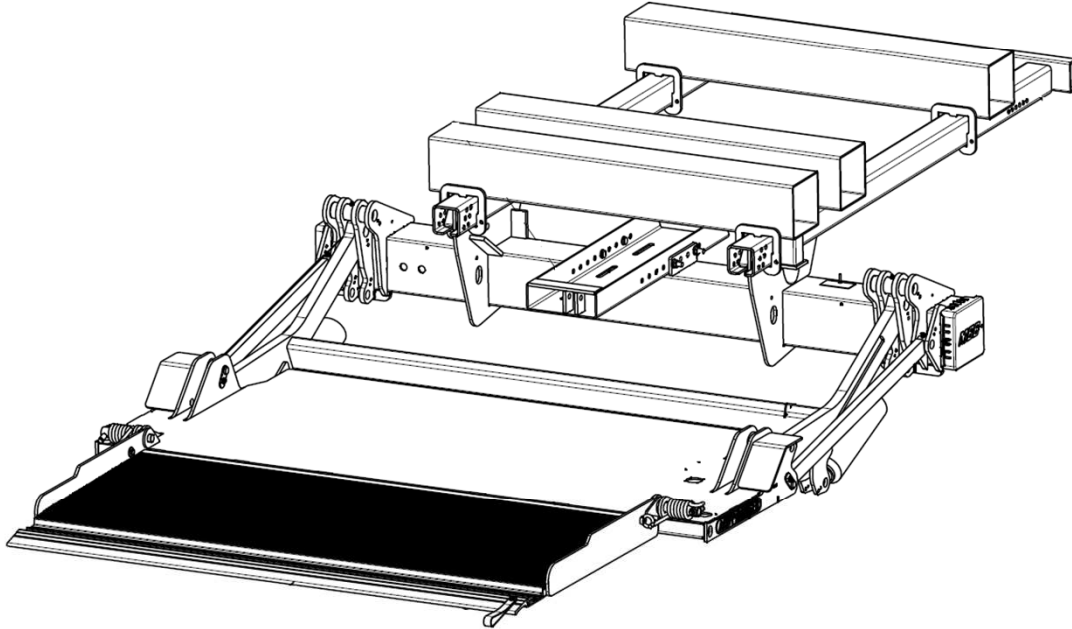
Visit our website at [www.palfinger.com](http://www.palfinger.com) for up to date information and notifications

**If you received this product with damaged or missing parts,**

**Please contact PALFINGER Liftgates at (888)-774-5844**

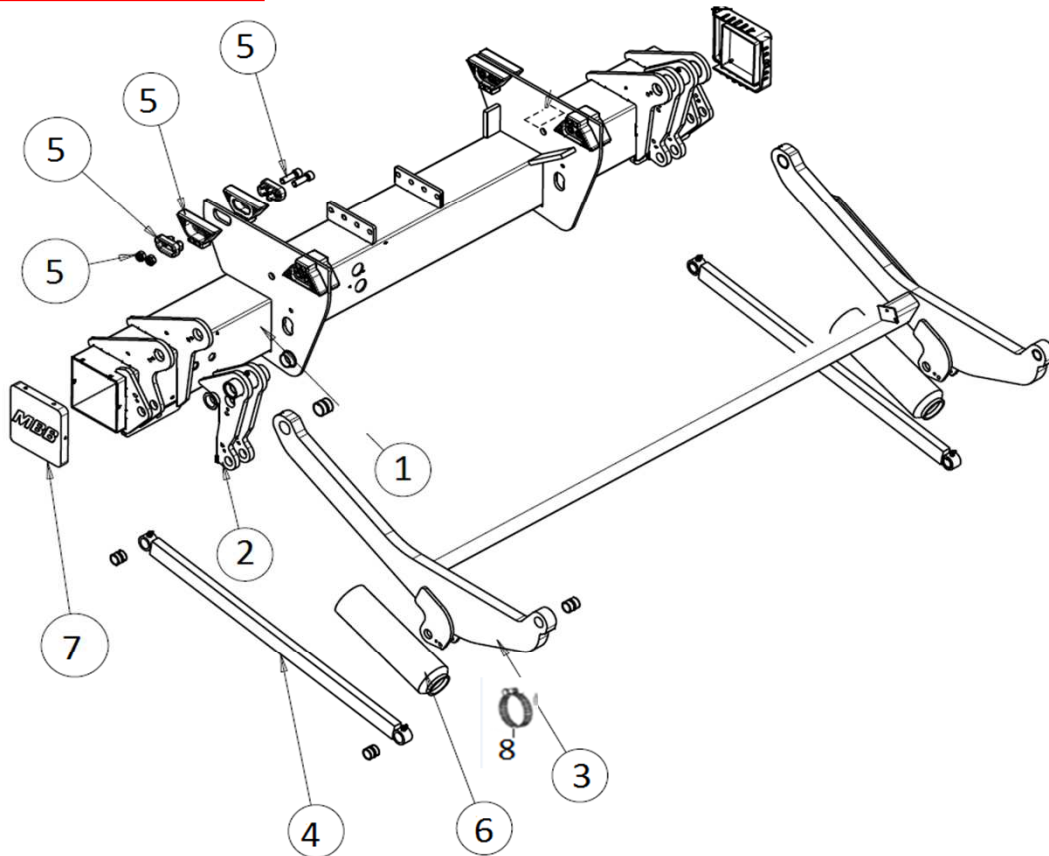
**INDEX**

**ILSL**



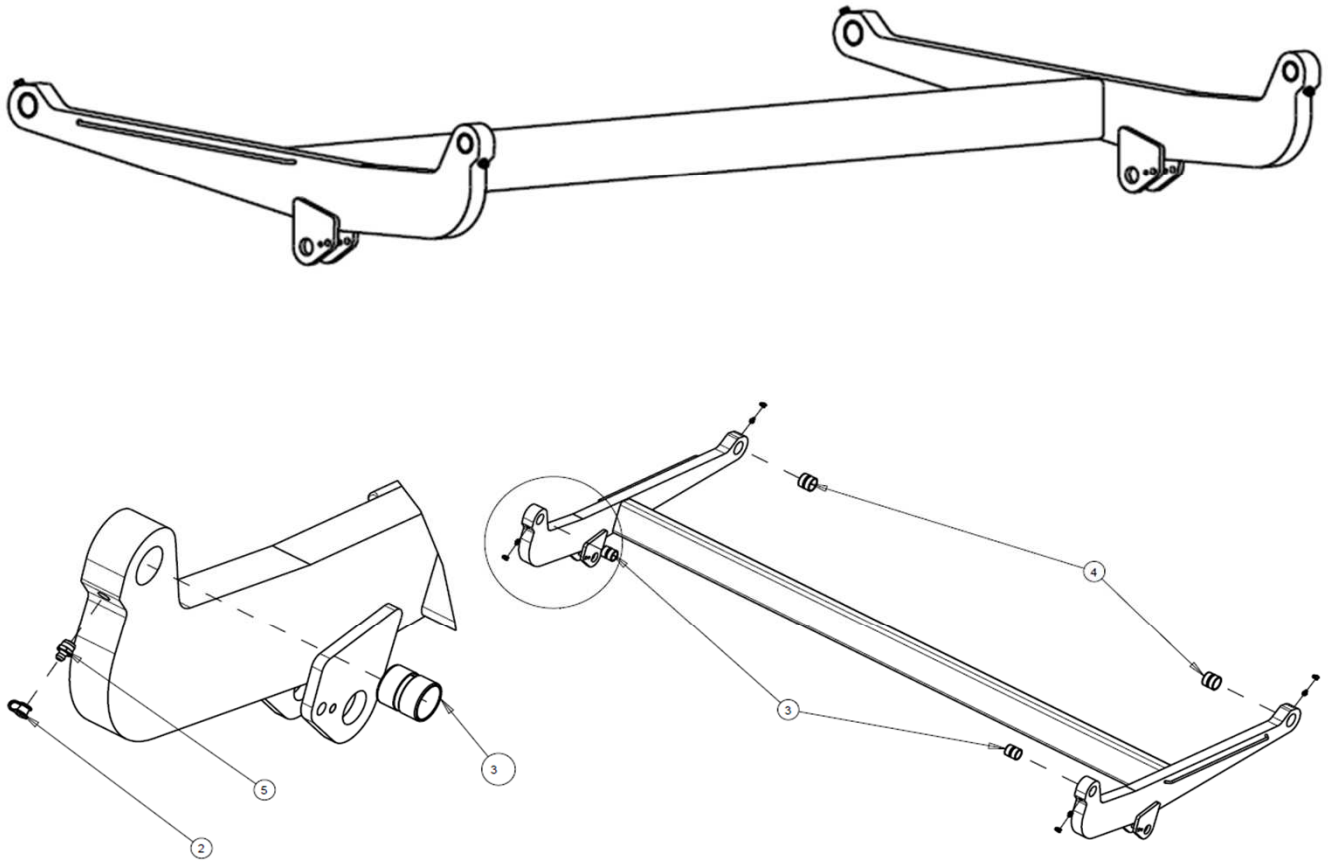
	<b>Description</b>	<b>Page</b>
	LIFTING GEAR	3
	LIFT ARM	4
	PARALLEL ARM	5
	SUBFRAME	6
	PLATFORM	7
	CART STOP	8
	LIFTCYLINDER	9
	PUSH-PULL CYLINDER	10
	CONTROL SYSTEM	11
	BATTERY BOX	12
	DUAL POWER PACK	13
	PC BOARD AND CABLES - NEW STYLE	16
	HYDRAULIC - NEW STYLE	17
	PC BOARD AND CABLES - EARLY STYLE	18
	HYDRAULIC - EARLY STYLE	19
	POWER PACK MBB	20

**ILSL LIFTING GEAR**



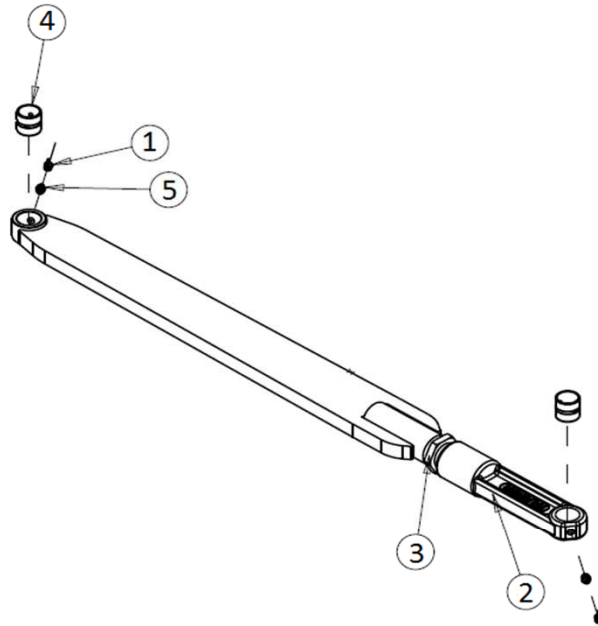
No.	Description	Part No.
1	Mount Tube 86 1/2"	01-1210-000
2	Swing Fixture	05-1009-100
3	Lift Arm	See pg. 4
4	Parallel Arm Adjustable Parallel Arm	See pg. 5
5	Slider Pad , Kit w/ clutch, bolts and nuts	P-2014290A
6	Cylinder Cover	P-1097838
7	Tube Cover	P-68483018
8	Tube Cover Clamp	P-68430828

**ILSL LIFTARM**



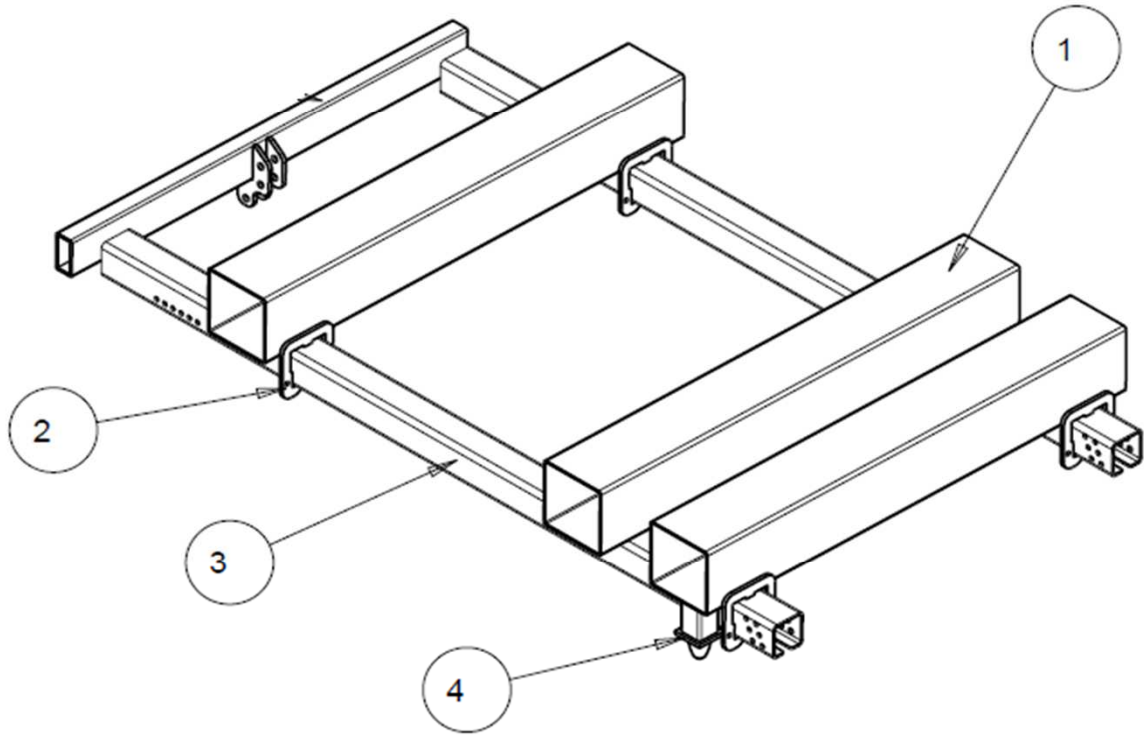
No.	Description	Part No.
1	Lift arm	10-1613-110
2	Cap, red grease zerk	P-1191680
3	Bushing 32mm	P-1403364
4	Bushing 40mm	P-1403366
5	Grease zerk	P-2019653

**ILSL PARALLEL ARMS**



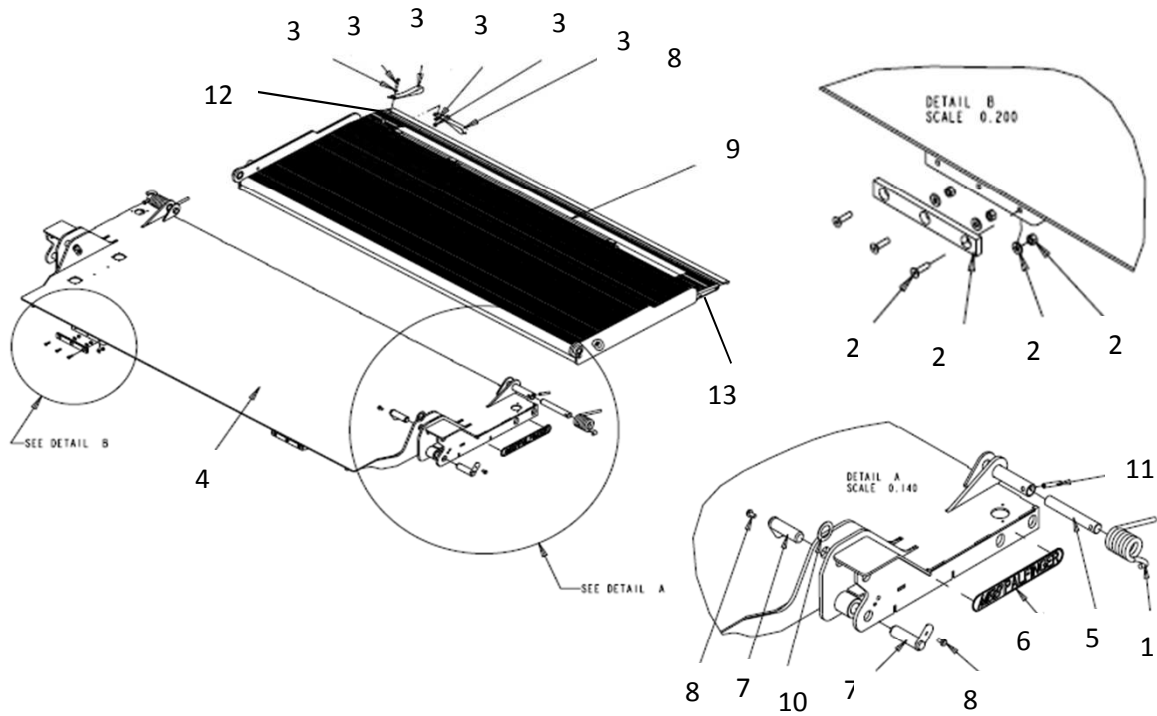
No.	Description	Part No.
	<b>Adjustable Parallel Arm 1000mm</b>	15-1212-100
1	Cap, Zerk Fitting	P-1191680
2	Adjusting Head	P-2029585
3	Clevis Nut	P-67265408
4	Bushing	P-1403367
5	Grease zerk	P-2019653

**ILSL Subframe**



No.	Description	Part No.
1	SQ Tube 7x7x180x50	55-1210-050
2	Rail profile bracket	55-1211-101
3	Channel, slide rail 82"	55-1211-301
4	Pyramid rubber up stop	P-1242495

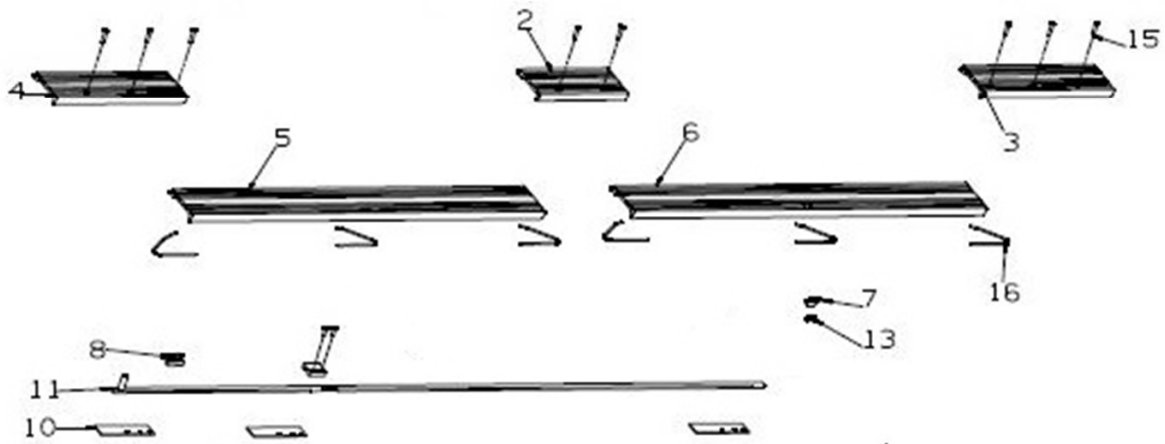
**ILSL PLATFORM**



Platform sizes	Part No.
36 x 70 + 5"	On request
36 x 84 + 5"	On request
70 x 72 + 7"	On request
70 x 72 + 8" ARR	On request

No.	Description	Part No.
1	Torsion Spring	20-1210-001
2	Bumper, Sill, Platform, Kit w/ bolts, washers and nuts	20-1210-002A
3	Handle Strap, w/ both Handle straps, bolts, washers and nuts	20-1210-003A
4	Main Platform Assy	21-1208-100
5	Pin, Tip Section	45-1209-201
6	Palfinger Logo Label	P-2006189
7	Pin 28x99mm	P-1326307
8	Bolt, Pin Lock M8x16mm	P-2009212
9	Tip, Platform Alum w/CS	ILFP-2024049
10	Thrust Bearing, Bronze, 2" D, 1.25" ID, 1/16"	5906K553
11	Bolt + Coil Pin, 3/8"x2-1/2", HD	
12	Cap tip curb side, plastic with cart stops	P-9083239000
13	Cap tip driver side, plastic with cart stops	P-9083238000

**ILSL Cart Stop**

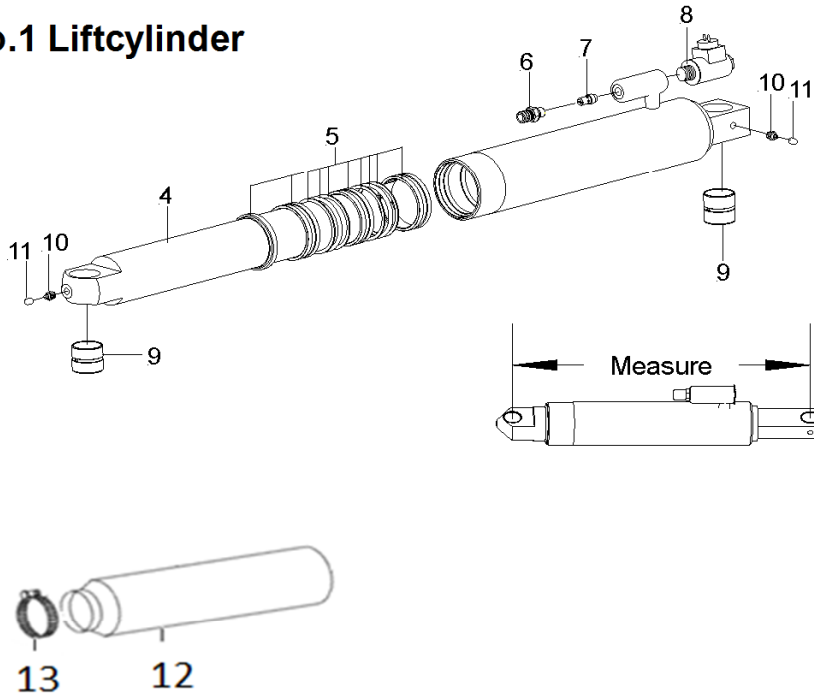


No.	Description	Part No.
2	Filler, Cart Stop Center	P-2003302
3	Filler, Cart Stop Driver Side	P-2003303
4	Filler, Cart Stop Curb Side w/ notch	P-2003301
5	Lid, Cart Stop CS, 1000mm	P-2006698
6	Lid, Cart Stop, DS 1000mm	P-2006697
7	Clip, Hold Down, Cart Stop	P-1406249
8	C- Clip, plastic 1.38", Sq w/ wholes	P-2004637
10	Rod support 1.38x4.75"	P-1406245
11	Sliding Rod	P-1406248
13	Screws M5X8	P-1032122
15	Screws M6X30	P-1089863
16	Spring Wire, Cart Stop	P-1408661



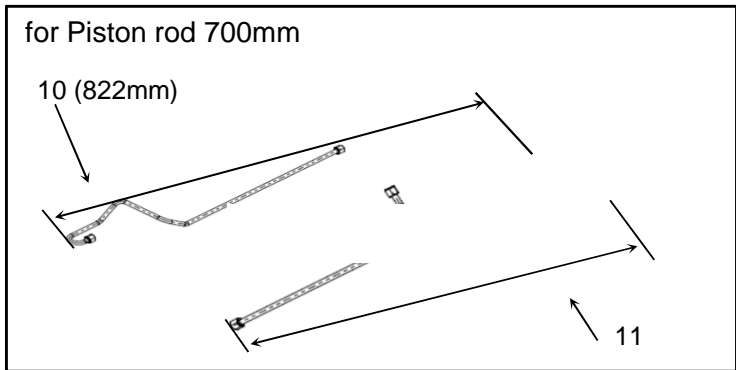
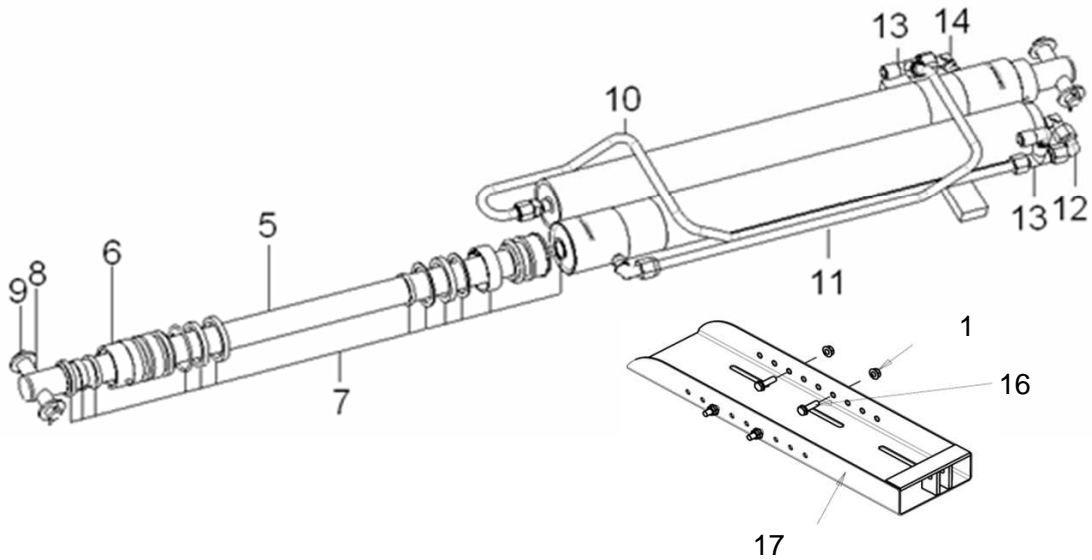
**ILSL Liftcylinder**

**No.1 Liftcylinder**



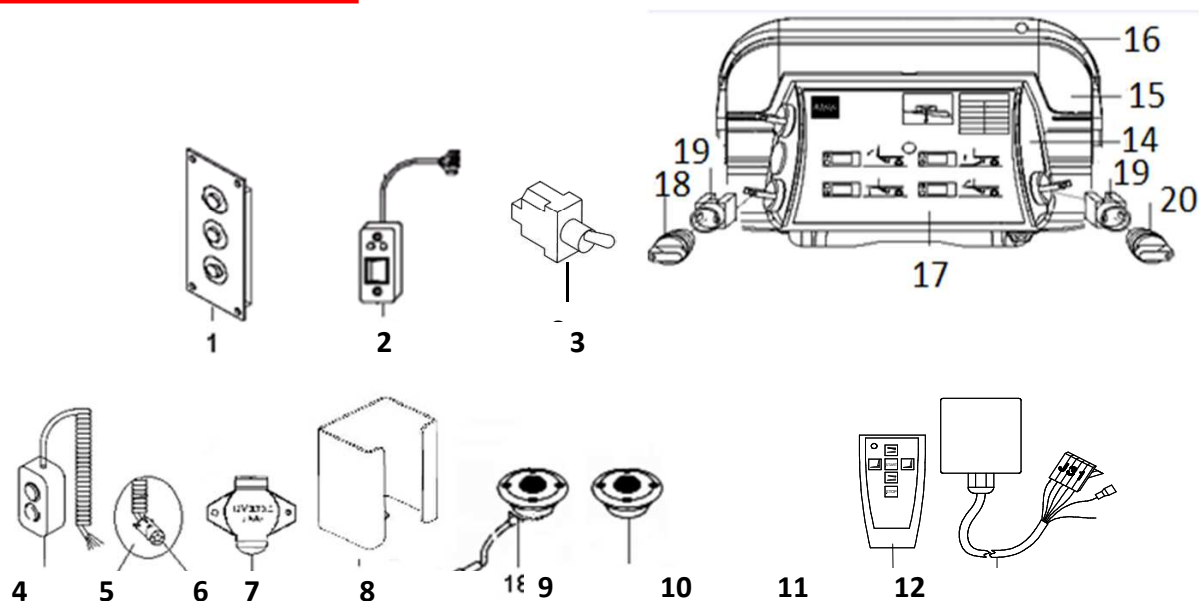
No.	Description	Part no.
	<i>Piston rod diameter- lift cylinder</i>	<b>63mm (2 1/2")</b>
	<i>compressed length - lift cylinder</i>	<b>498mm (19 1/2")</b>
1	Lift cylinder <i>without release valve</i> 63.28.498	P-2016765
4	Piston rod	P-2034342
5	Rebuild kit	P-1407784
6	Adaptor / hose fitting	P-1188263
7	Restrictor no.3	P-1355942
8	Release valve, single lock	P-67282345
9	Bushing	P-1403367
10	Grease zerk	P-2019653
11	Red cap	P-1191680
12	Sleeve	P-1097838
13	Clamp	P-68430828

**ILSL Push-Pull Cylinder**



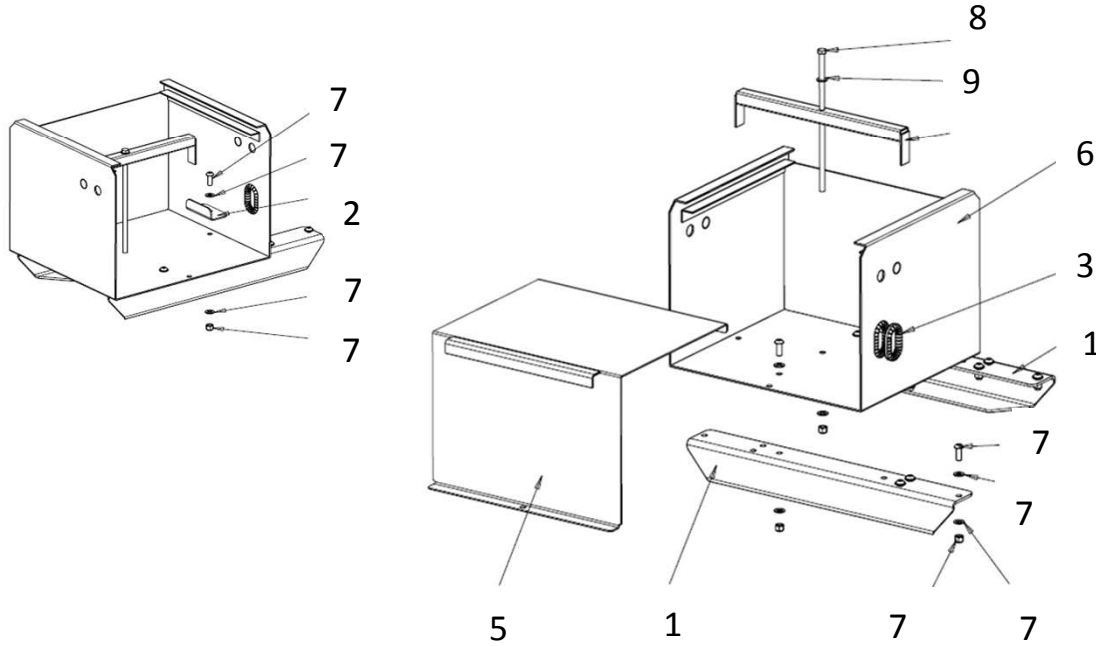
No.	Description	Part No.
	<i>Piston rod diameter - 700mm</i>	<b>30mm (1 1/4")</b>
	Push- Pull cylinder 700mm (Measurement 32 1/2")	P-1408003
5	Piston rod - 700	P-1404772
6	End plug	P-1402032
7	Rebuild kit	P-1330763
8	Pin incl. cotter pin	P-1330089
9	Washer	P-1403363
10	Pipe - 700	P-1407998
11	Pipe - 700	P-1407999
12	Fitting - 90° elbow	P-1232266
13	Tee- Fitting	P-1111075
14	Banjo Fitting	P-1000180
15	Nut M14	
16	Hex Head Cap Screw, M14x45mm	
17	Tray, Push Pull	56-1210-350

**ILSL Control System**



No.	Description	Part No.
1	Control, 3 Button flush mount	P-1404997
2	On- off switch, Truck	P-1332494
3	On- off switch, Trailer	3-1NT1-2
4	2 Button hand control with coil	P-72916816
5	2 Button hand control with coil and plug	P-72916816P
	2 Button hand control with coil and 7 way plug	P-1300135
6	Plug, 4 way	3-00010
	Plug, Hella, 7 way	P-1237109
7	Socket, 4 way	3-00011
	Socket, Hella, 7 way w/ seal	P-1299912A
8	Holster for hand control	/1-00050
9	Foot control button 2 wire	P-1330945
10	Foot control button	P-1405256
11	Radio control transmitter, 6 way	3-500655
12	Radio control receiver, 6 way	3-50065
13	Radio control kit - transmitter and receiver	3-50065A
14	Control box with PC-board and harness	P-2033819
	Control box with cable (without PC-board)	P-2007286
15	Complete outer plastic box	P-2009205
16	Flip down lid	P-2007476
17	Operation lable	ATG-ILUK
18	Momentary turn knob	P-2007456
19	Contact block	P-2007457
20	On-off switch	P-2009186

**ILSL Battery Box**

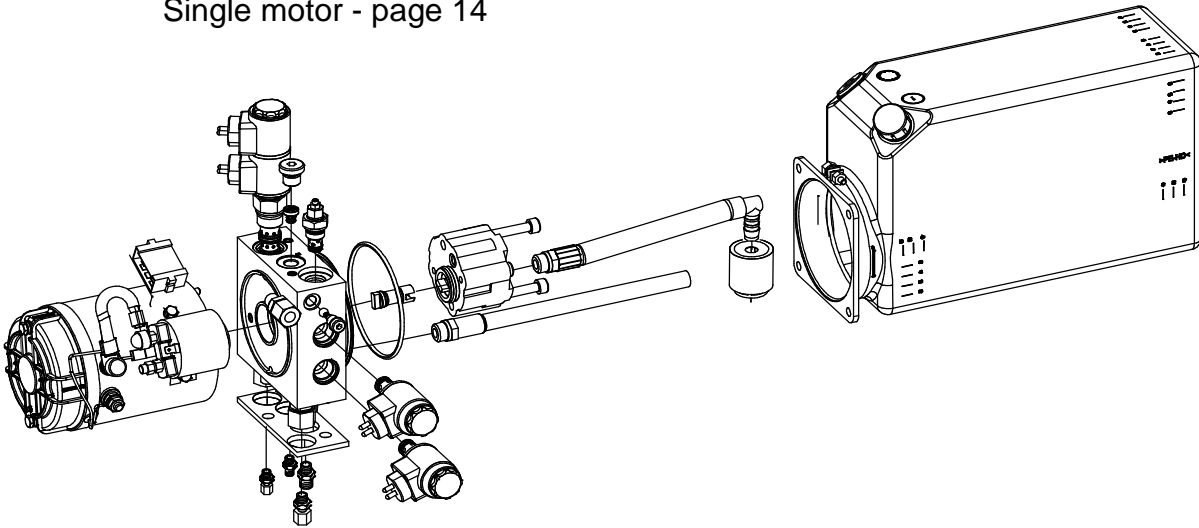


No.	Description	Part No.
1	Support channel, Batt box	60-1211-201
2	Bracket	60-1211-202
3	Loom, 1/2" 6.5" cut length	60-1211-203
4	Base, Batt Box 4 batteries	2-00004BB33-BASE
	Base, Batt Box 2 batteries	60-1211-220
5	Lid, Batt Box 4 batteries	2-00004BB33-LID
	Lid, Batt Box 2 batteries	60-1211-225
6	Hold down 2 batteries	90-1211-210
7	Bolt, Kit w/ washers and nut	1-00024
8	HHCS, 3/8"-16 x 11	
9	3/8" WASHER	

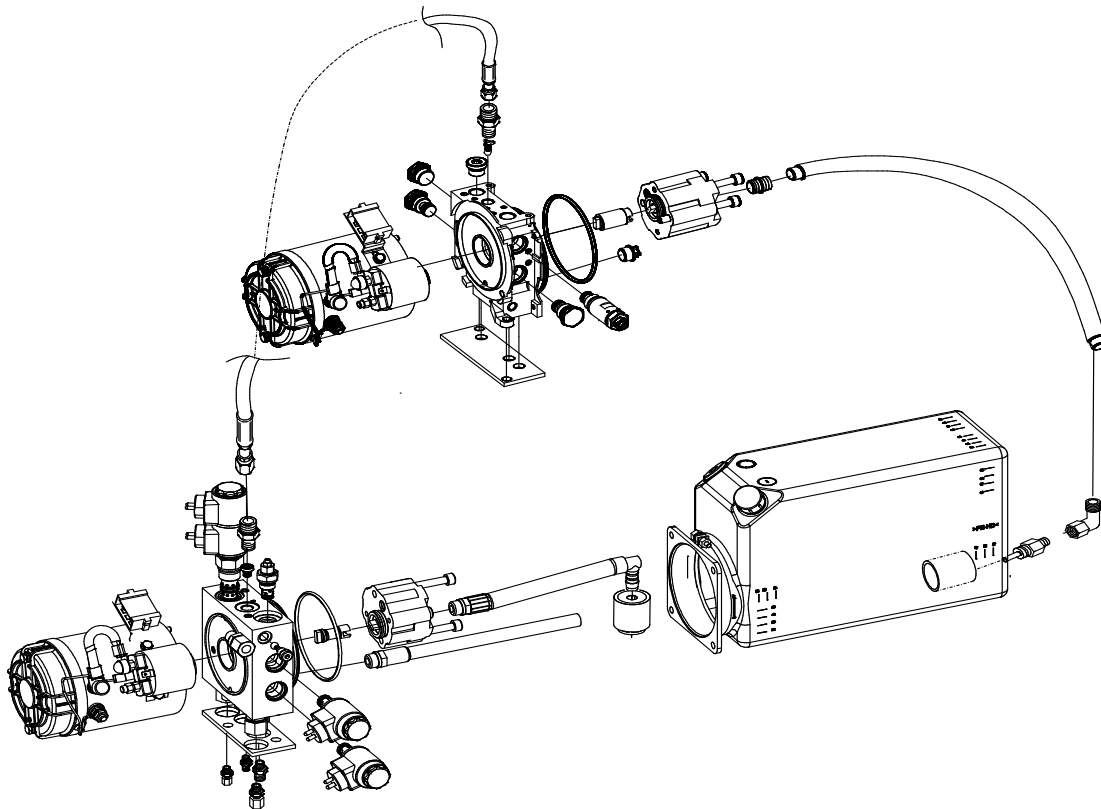
**ILSL POWER PACK**

**Overview**

Single motor - page 14

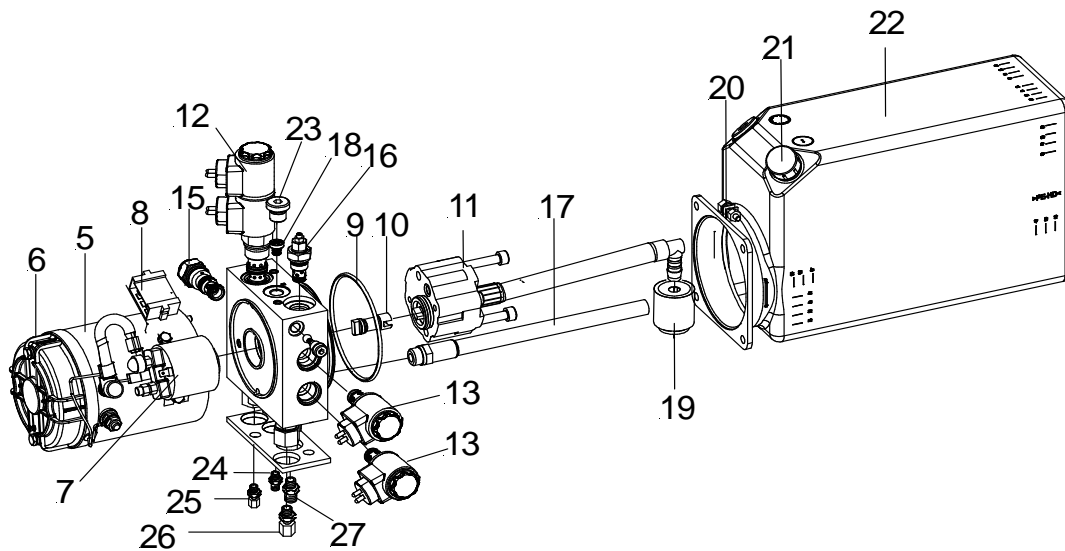


Dual motor - page 15



**ILSL POWER PACK**

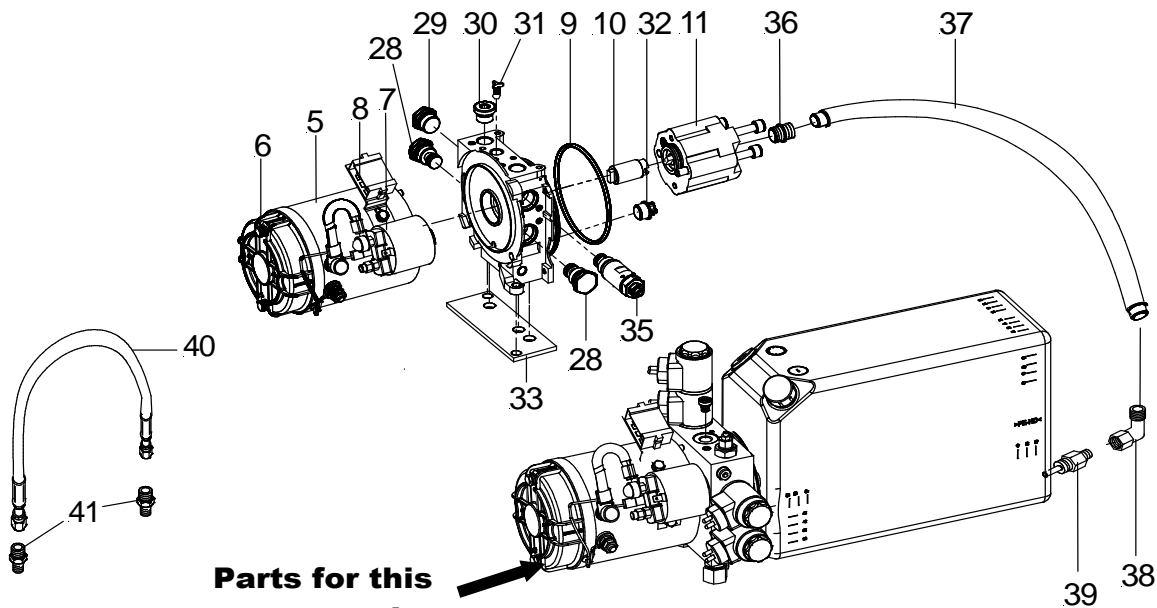
**Single Motor Power Pack**



No.	Description	Part no.
1	Power Pack- single motor	P-2019902A
2	Second motor - <i>just dual power pack</i>	N/A
5	Motor	P-2020866
6	Carbon brushes kit	P-1410330
7	Motor solenoid	P-1404303
8	Terminal block	P-68354986
9	Seal ring	P-2009743
10	Coupler	P-2020617
11	Pump incl. coupler, pipe, filter	P-2020618
12	Two way release valve	P-2021832A
13	Single locking release valve	P-67282345
15	Pilot operated check valve	P-2021835
16	Pressure control valve	P-2021834
17	Return pipe	P-2021825
18	Check valve	P-2021826
19	Pump filter	P-2018681
20	Clamp for oil reservoir	P-2009743
21	Breather cap	P-2021824
22	Oil reservoir	P-2021823
23	Plug	P-2021827
24	Adaptor (male ¼ BSPP; male ¼ JIC)	PD-3121317
25	Fitting (male ¼ BSPP; female ¼ JIC)	PD-3121319
26	Fitting (male ¼ BSPP; female ⅜ JIC)	PD-3121316
27	Adaptor (male ¼ BSPP; male ⅜ JIC)	PD-3121310

**ILSL SECONDARY PUMP & MOTOR**

**Dual Power Pack**

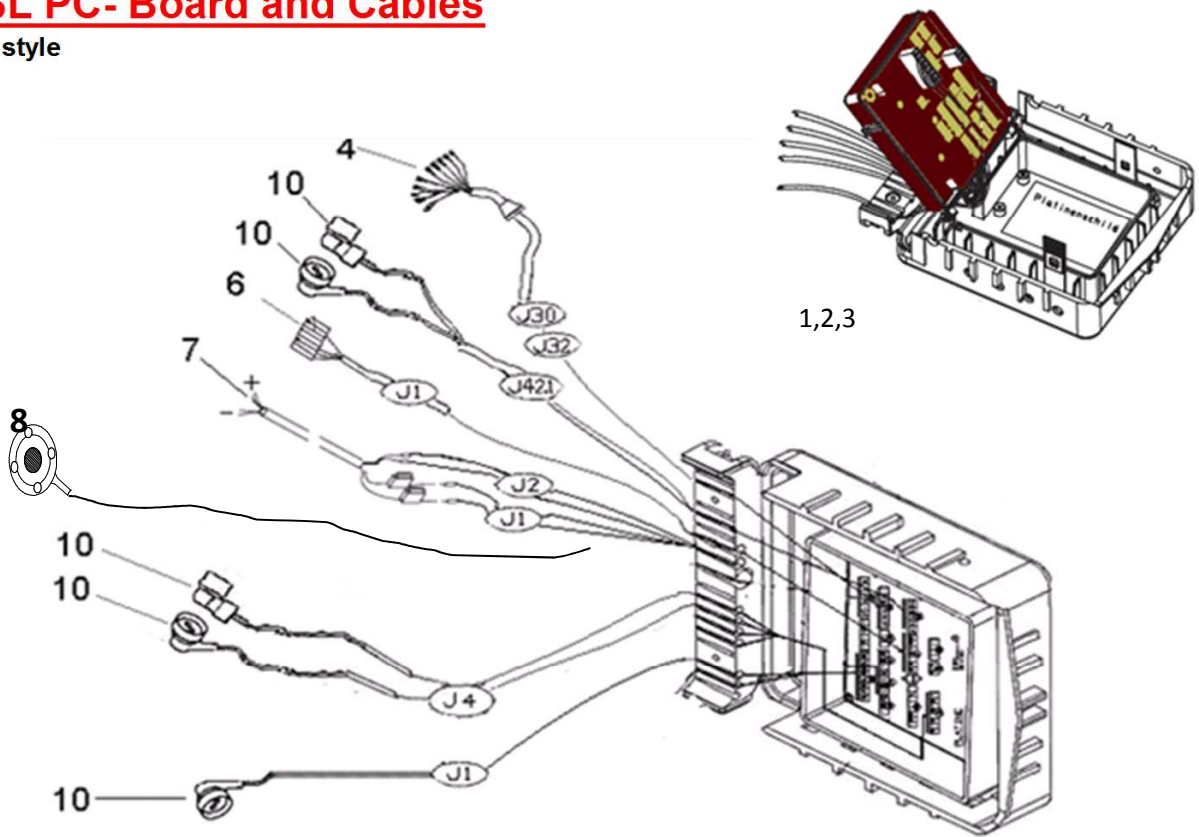


**Parts for this  
power pack  
see page 14**

No.	Description	Part no.
1	Dual power pack - incl. hoses and fittings	P-2019905A
2	Pump and motor secondary	P-2019905
5	Motor	P-2020866
6	Carbon brushes kit	P-1410330
7	Motor solenoid	P-1404303
8	Terminal block	P-68354986
9	Seal ring	P-2009743
10	Coupler	P-2021842
11	Pump - MBB	P-2020618
28	Port plug	P-2021838
29	Plug	P-2021837
30	Plug	P-2021840
31	Check valve	P-2021841
32	Plastic plug	P-9082518000
33	Rubber plate	P-2021843
35	Pressure sensing valve	P-2021839
36	Adaptor (male 3/8 JIC; male 1/2 BSPP)	PD-3121324
37	Hose - second pump to oil reservoir	PD-3121325
38	90° fitting (male 3/8 JIC; female 3/8 JIC)	PD-3121315
39	Fitting - filter included	PD-3121326
40	Hose - hydraulic	PD-3121321
41	Adaptor (male 1/4 BSPP; male 3/8 JIC)	PD-3121310

**ILSL PC- Board and Cables**

New style

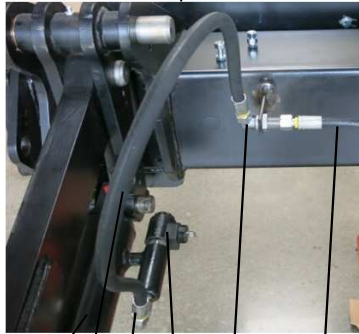
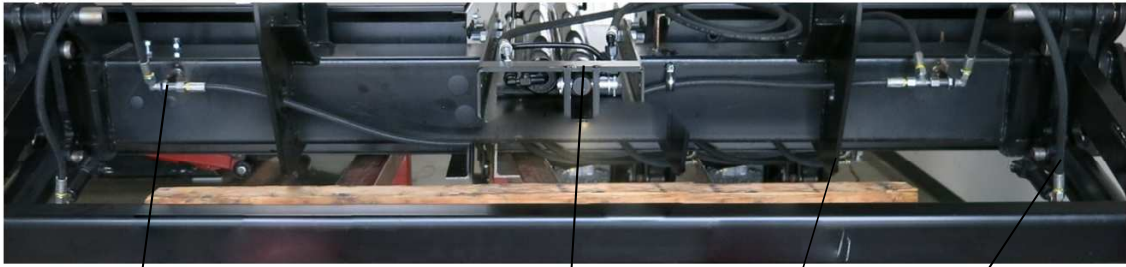


No.	Description	Part No.
1	PC- board M Control	P-2029092
2	Cover with hinge - for control system	P-2029906
3	Clamp for cover	P-2010169
4	Wire harness for control box (J30+J32)	P-2007410
6	Wire harness for power pack (J1)	P-2010018
7	Wire harness for circuit board power (J1+J2)	P-2007406
8	Wireharness with foot control switch (J3)	P-1330945
10	Cable for solenoid valve (J1), (J4), (JK)	P-67254198



**ILSL Hydraulic**

New Style



8 2 7 9 6 3



7 4 4 7



3 4 2 6 9 7 2

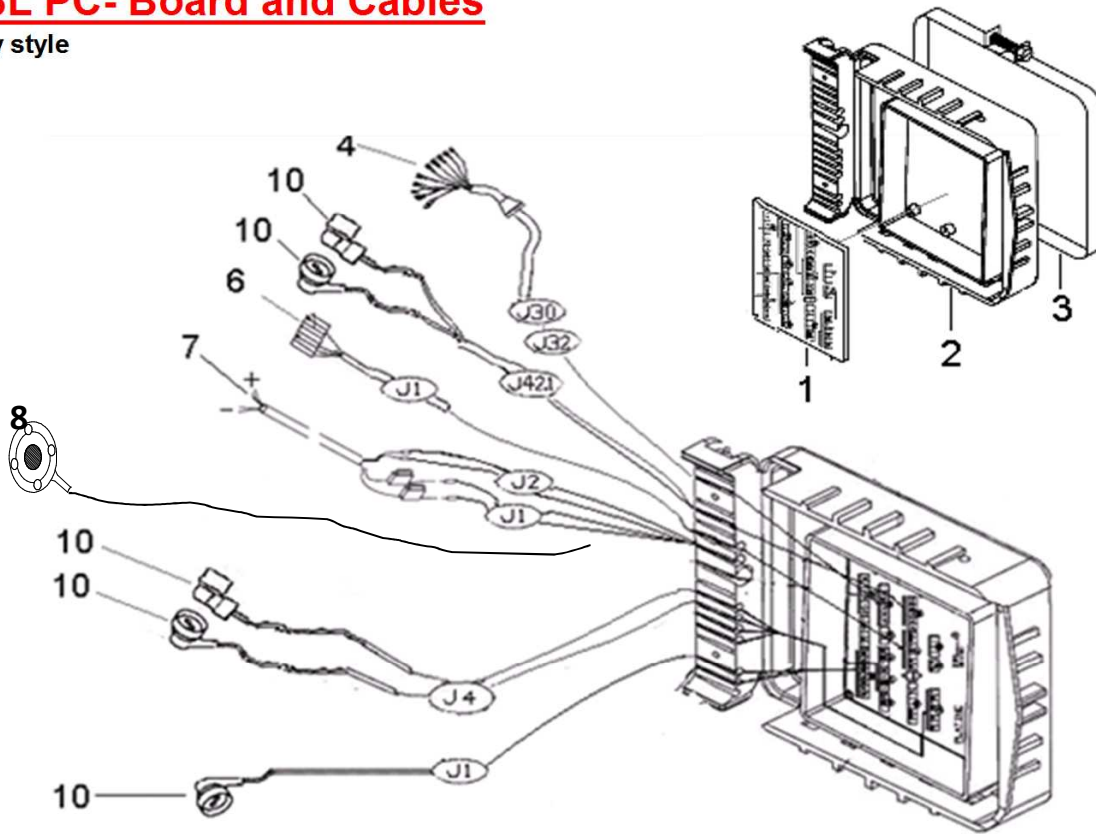


7

No.	Description	Part No.
2	Hose, rubber 850 mm	P-2021337
3	Hose, rubber 1400 mm	P-2021335
4	Hose, rubber 2000 mm	P-2021336
5	Tee fitting	P-1111075
6	90 degree bulk head fitting	P-1111060
7	Elbow Fitting, 10L, 900,	P-1232266
8	Cylinder, Lift	P-2033916
9	Valve+Coil, 12V, Single Lock	P-67282345

**ILSL PC- Board and Cables**

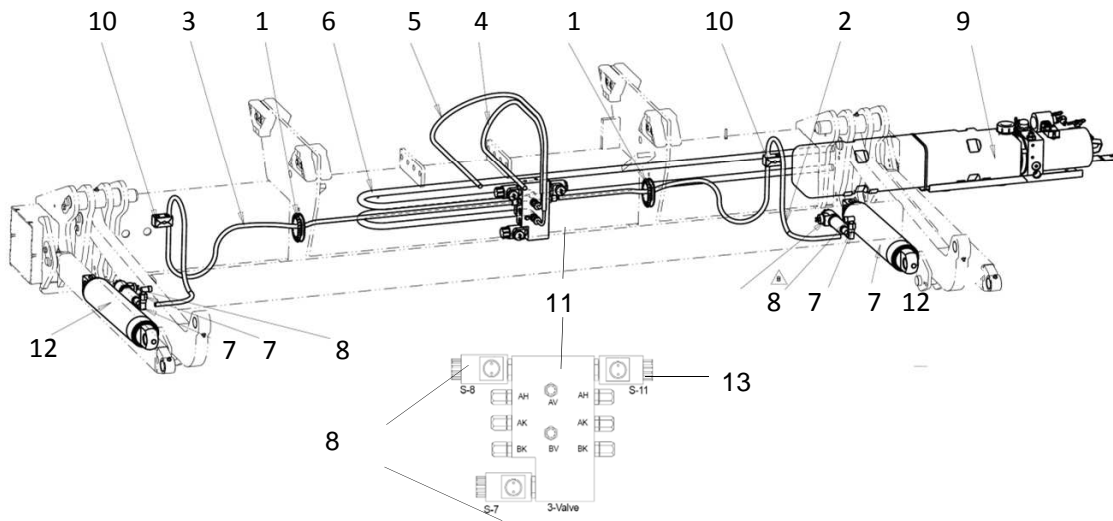
Early style



No.	Description	Part No.
1	PC- board <i>K plus</i>	P-2007193FP
2	Cover with hinge - for control system	P-2029906
3	Clamp for cover	P-2010169
4	Wire harness for control box (J30+J32)	P-2007410
6	Wire harness for power pack (J1)	P-2010018
7	Wire harness for circuit board power (J1+J2)	P-2007406
8	Wireharness with foot control switch (J3)	P-1330945
10	Cable for solenoid valve (J1), (J4), (JK)	P-67254198

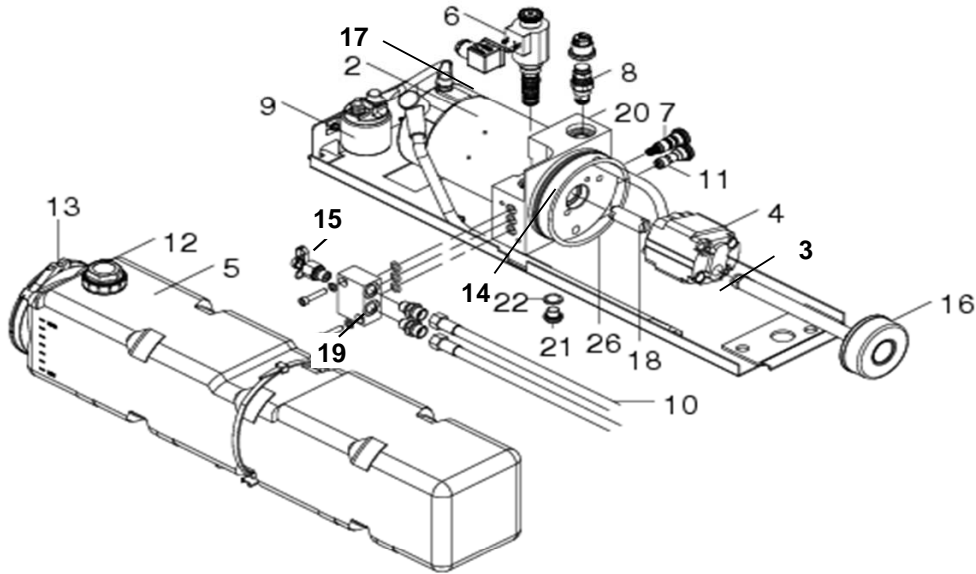
**ILSL Hydraulic**

Early style



No.	Description	Part No.
1	1/2" Split Loom, 6.25"	80-1211-006
2	Hose, 1600 mm, Lift Cylinder	P-1016771
3	Hose, 2000 mm, Lift Cylinder	P-1023187
4	Hose, 1000 mm, PP Cylinder	P-1110229
5	Hose, 1000 mm, PP Cylinder	P-1110229
6	Hose, 2000 mm, Pump/Motor	P-1112885
7	Elbow Fitting, 10L	P-1232266
8	Valve + Coil, 12V, Double Lock	P-1284466
9	Pump/Motor/Reservoir, ILFP Gravity Down	P-1406000
10	Plastic Holder, Hose System	P-1406960
11	Valve Block, ILFP	P-1409657
12	Lift Cylinder	P-2033916
13	Valve + Coil, 12V, Single Lock	P-67282345

**ILSL MBB Power Pack**



No.	Description	Part No.
1	Power pack w/tray , complete	P-1406000
2	Motor 12 Volt	P-1353555
3	Pipe	on request
4	Pump, 2ccm	P-1298068
5	Oil reservoir, 8liter	P-1362483
6	Shift valve (S-5)	P-1299412
7	Flow divider spring & plunger	P-1405972
8	Pressure relief valve	P-1298111
9	Motor solenoid	P-1320127
10	Hydraulic hoses to valve block	P-1112885
11	Flow control valve (R5)	P-1298086
12	Breather cap	P-1362518
13	Clamp for oil reservoir	P-1362509
14	O-ring Oil Reservoir	P-1297972
15	Hydraulic hose Adapter - Gauge	P-71067009
16	Pump filter	P-1298022
17	Carbon brushes kit (4 pieces)	P-1410330
18	Coupler 17x48	P-1406264
19	Adaptor 1/4 X 10I Hose Fitting	P-1188263
21	Drain plug	P-66373088
22	Sealing washer	P-1298013