

# ***INTERLIFT***

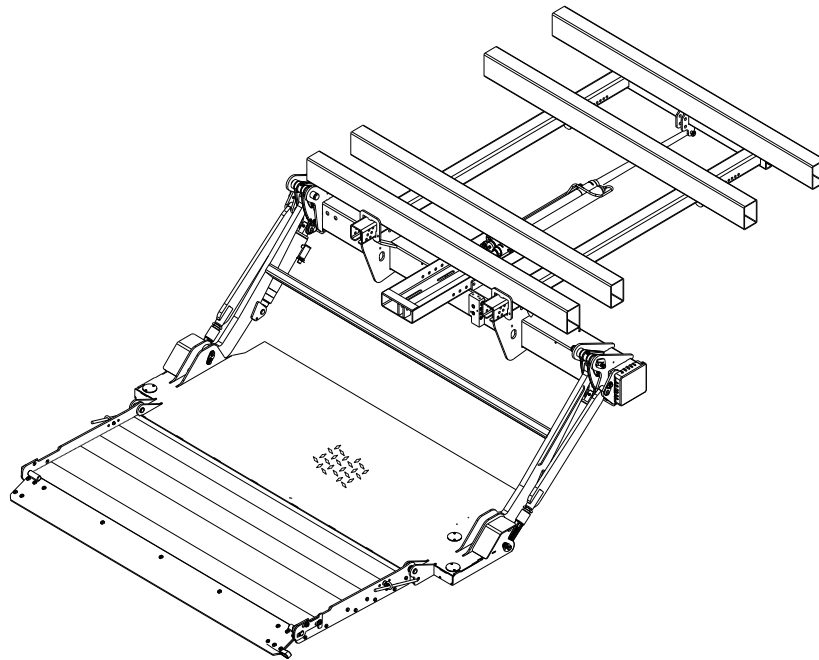
BY **PALFINGER**

---

## **PARTS MANUAL**

**ILSL 30, 3000 lbs. Capacity**

**ILSL 40, 4000 lbs. Capacity**



ILSL 30/40 Parts Manual  
Document Part Number: 90-1614-000  
ECN-M1723, Rev. 1.1, 01-22-24  
Copyright © 2023 Palfinger Interlift, LLC.  
All rights reserved.

Information in this document is subject to change without notice.  
Visit [www.palfinger.com](http://www.palfinger.com) for up to date information and notifications.

If you received this product with damaged or missing parts,  
contact INTERLIFT Liftgates at (888)-774-5844

Parts Order/Inquiries  
[liftgateparts@palfinger.com](mailto:liftgateparts@palfinger.com)

Technical Support  
[technicalapplications@palfinger.com](mailto:technicalapplications@palfinger.com)



15939 Piuma Ave.  
Cerritos, CA 90703  
Tel (888) 774-5844  
Fax (562) 924-8318



572 Whitehead Road.  
Trenton, NJ 08619  
Tel (609) 587-4200  
Fax (609) 587-4201

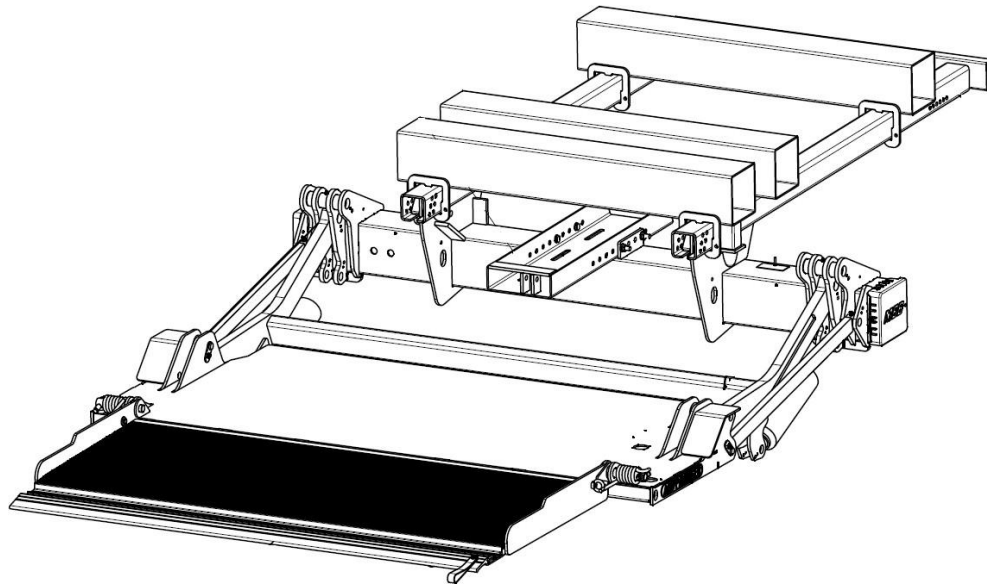
---

**Parts Orders:**

- There is a \$50.00 minimum parts order.
- Ground freight is free for spare parts orders exceeding \$1,500.00, excluding platforms, runners, mount frames and other main assemblies.
- Contact parts department, our hours are from 8 am EST in NJ until 5 pm PST in CA  
California: (888) 774-5844, or (562)924-8218, ext. 97, 29 , or 15; Fax: (562) 924-8318.  
New Jersey: at (609) 587-4200; Fax: (609) 587-4201.  
E-mail orders or inquires for both locations to: [liftgateparts@palfinger.com](mailto:liftgateparts@palfinger.com)
- Next Day Air shipments must be received by 2:30 pm local time at either location.
- To ensure quick delivery when placing an order, please be sure to include: liftgate model, serial number, part number, and description in accordance with spare Parts List.
- Any parts being returned must have Return Merchandise Authorization (RMA) number, copy of invoice and a detailed packing list of returned parts. RMA numbers will be issued by parts department and are valid for 30 days. All returned RMA parts must be returned to INTERLIFT Liftgates by prepaid freight or by call tag.
- Parts must be returned in NEW CONDITION. To receive credit on returned parts, the original purchase date must be within 6 month and authorized by INTERLIFT Liftgates.
- Returned parts are subject to a 20% restocking charge.
- Any part received not in new condition will be subject to inspection and possible refusal. All INTERLIFT Liftgates parts are covered for one year from date of purchase against defects in material and workmanship.
- **Warranty Coverage: part replacement only**

**INDEX**

**ILSL**



**Table of Contents**

ILSL LIFTING GEAR .....5

ILSL LIFTARM.....6

ILSL PARALLEL ARMS.....7

ILSL Subframe .....8

ILSL PLATFORM.....9

ILSL Cart Stop..... 10

ILSL Liftcylinder ..... 11

ILSL Push-Pull Cylinder..... 12

ILSL Control System..... 13

ILSL Battery Box..... 14

ILSL POWER PACK..... 15

ILSL SECONDARY PUMP & MOTOR..... 17

ILSL PC- Board and Cables - New style ..... 18

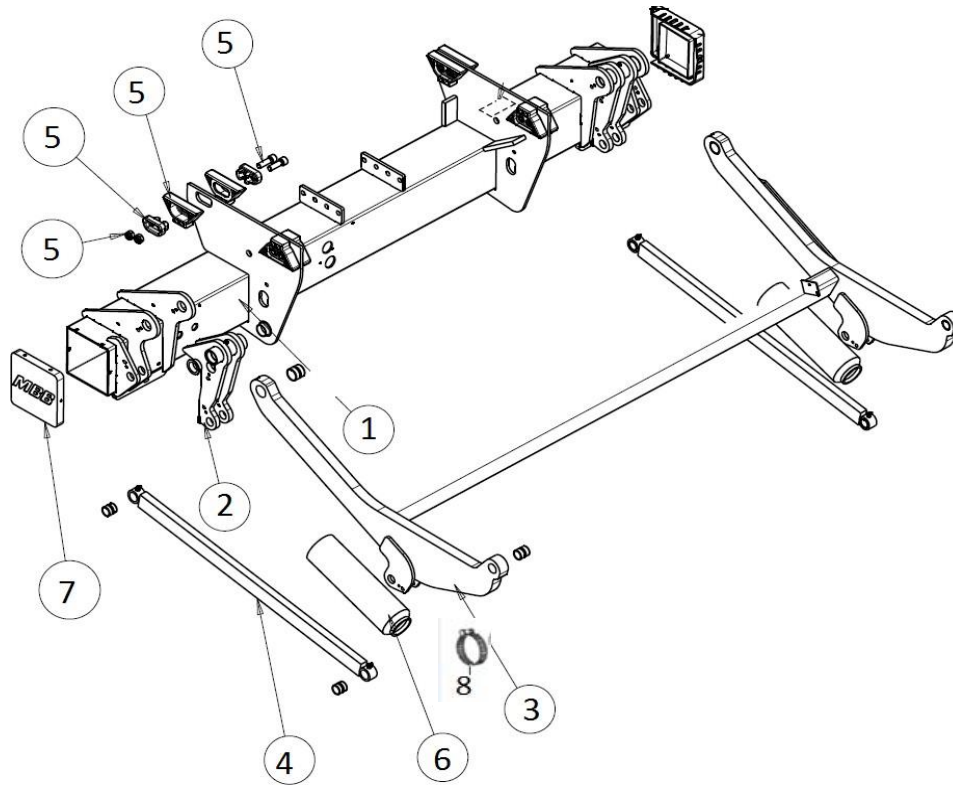
ILSL Hydraulic - New Style ..... 19

ILSL PC- Board and Cables - Early style ..... 20

ILSL Hydraulic - Early style..... 21

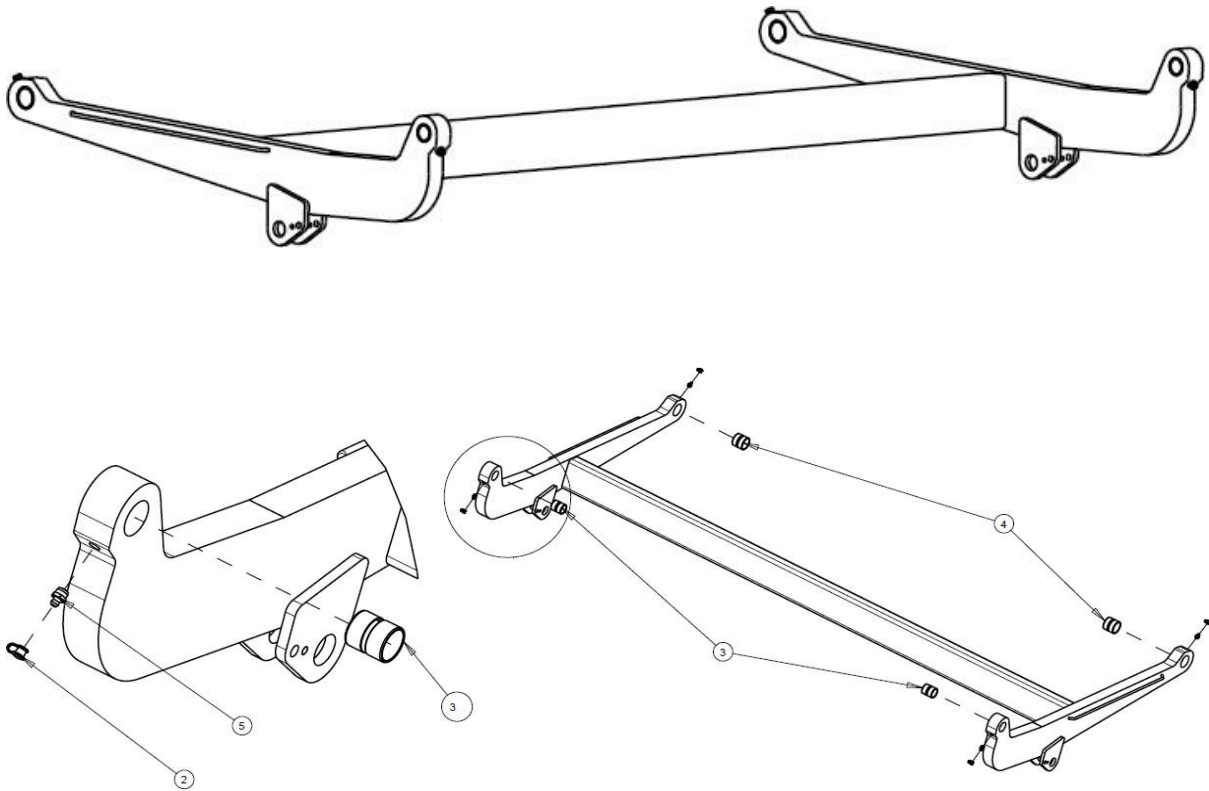
ILSL MBB Power Pack ..... 22

**ILSL LIFTING GEAR**



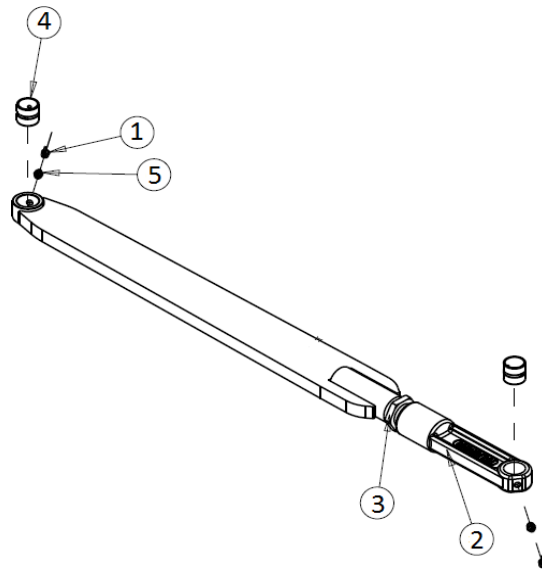
No.	Description	Part No.
1	Mount Tube 86 1/2"	01-1210-000
2	Swing Fixture	05-1009-100
3	Lift Arm	See pg. 6
4	Parallel Arm Adjustable Parallel Arm	See pg. 7
5	Slider Pad , Kit w/ clutch, bolts and nuts	P-2014290A
6	Cylinder Cover	P-1097838
7	Tube Cover	P-68483018
8	Tube Cover Clamp	P-68430828

**ILSL LIFTARM**



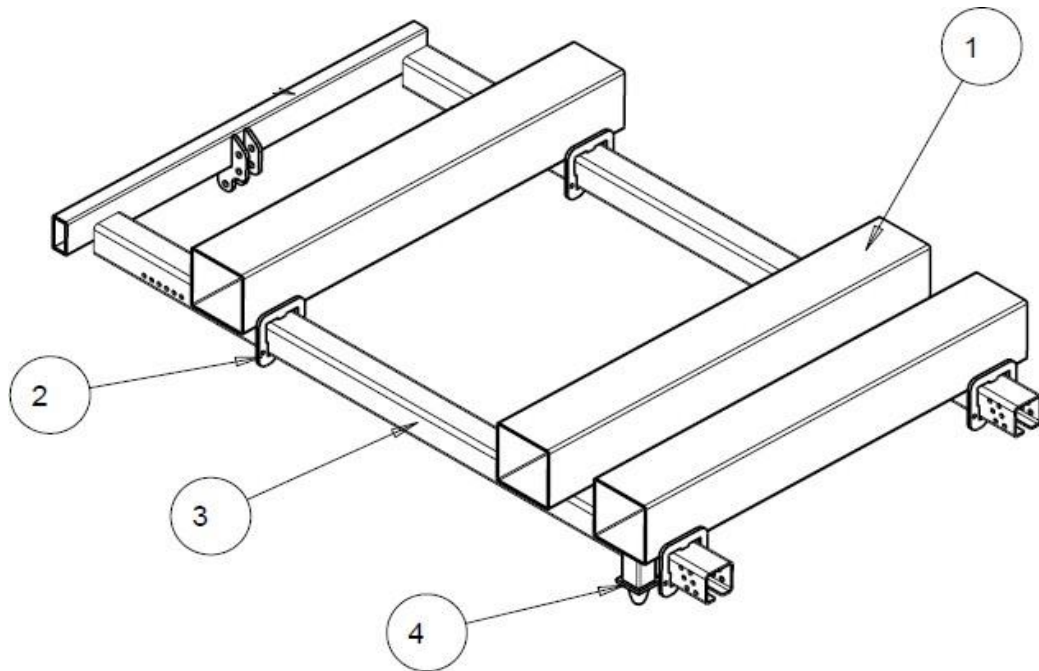
No.	Description	Part No.
1	Lift arm	10-1613-110
2	Cap, red grease zerk	P-1191680
3	Bushing 32mm	P-1403364
4	Bushing 40mm	P-1403366
5	Grease zerk	P-2019653

**ILSL PARALLEL ARMS**



No.	Description	Part No.
	<b>Adjustable Parallel Arm 1000mm</b>	15-1613-000
1	Cap, Zerk Fitting	P-1191680
2	Adjusting Head	P-2029585
3	Clevis Nut	P-67265408
4	Bushing	P-1403367
5	Grease zerk	EA 005

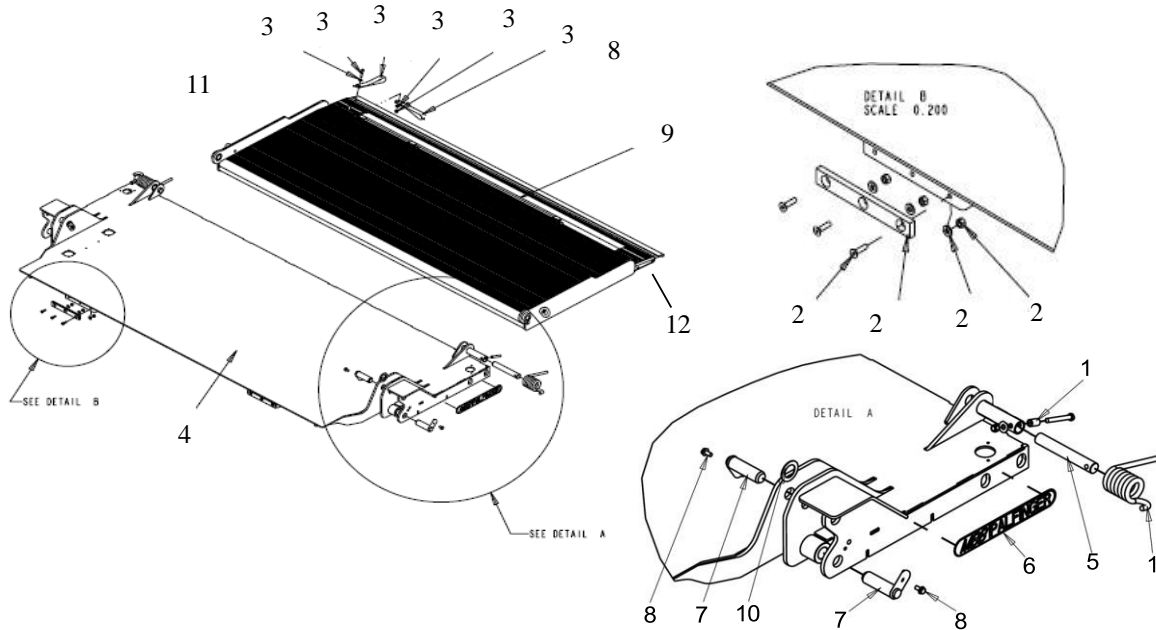
**ILSL Subframe**



No.	Description	Part No.
1	SQ Tube 7x7x180x50	55-1210-050
2	Rail profile bracket	55-1211-101
3	Channel, slide rail 82"	55-1211-301
4	Pyramid rubber up stop	P-1242495



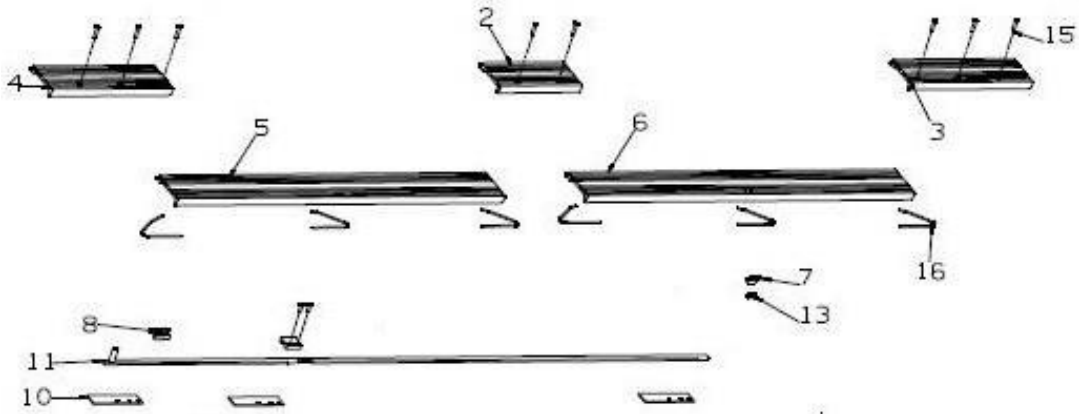
**ILSL PLATFORM**



Platform sizes	Part No.
36 x 70 + 5"	On request
36 x 84 + 5"	On request
70 x 72 + 7"	On request
70 x 72 + 8" ARR	On request

No.	Description	Part No.
1	Spring Kit, ILFP Tip	20-1214-000
2	Bumper, Sill, Platform, Kit w/ bolts, washers and nuts	20-1210-002A
3	Handle Strap, w/ both Handle straps, bolts, washers and nuts	20-1210-003A
4	Main Platform Assy	21-1208-100
5	Pin, Tip Section	45-1209-201
6	Palfinger Logo Label	P-2006189
7	Pin 28x99mm	P-1326307
8	Bolt, Pin Lock M8x16mm	P-2009212
9	Tip, Platform Alum w/CS	ILFP-2024049
10	Thrust Bearing, Bronze, 2" D, 1.25" ID, 1/16"	5906K553
11	Cap tip curb side, plastic with cart stops	P-9083239000
12	Cap tip driver side, plastic with cart stops	P-9083238000

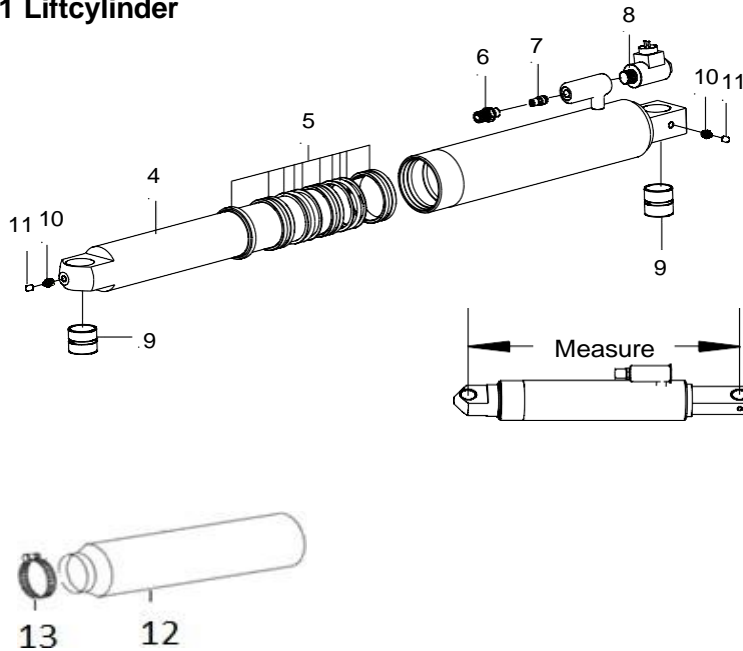
**ILSL Cart Stop**



No.	Description	Part No.
2	Filler, Cart Stop Center	P-2003302
3	Filler, Cart Stop Driver Side	P-2003303
4	Filler, Cart Stop Curb Side w/ notch	P-2003301
5	Lid, Cart Stop CS, 1000mm	P-2006698
6	Lid, Cart Stop, DS 1000mm	P-2006697
7	Clip, Hold Down, Cart Stop	P-1406249
8	C- Clip, plastic 1.38", Sq w/ wholes	P-2004637
10	Rod support 1.38x4.75"	P-1406245
11	Sliding Rod	P-1406248
13	Screws M5X8	P-1032122
15	Screws M6X30	P-1089863
16	Spring Wire, Cart Stop	P-1408661

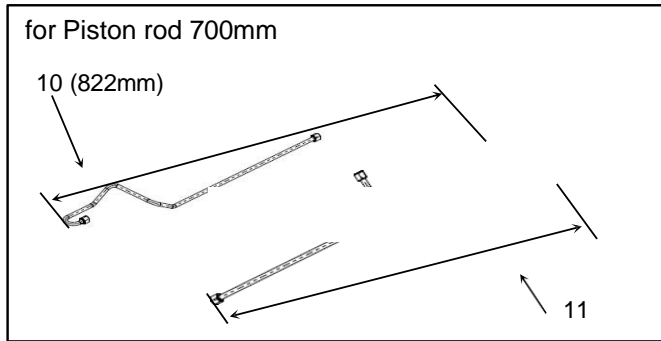
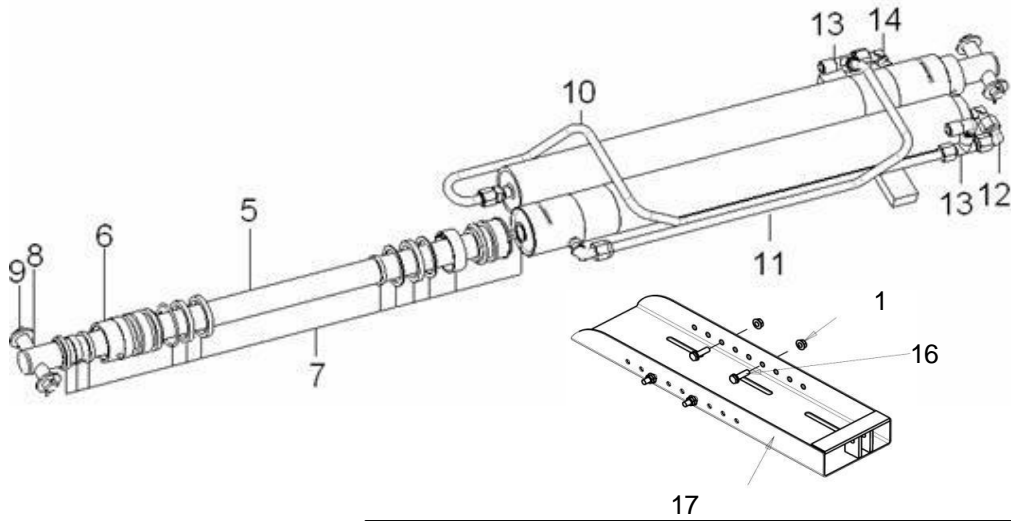
**ILSL Liftcylinder**

**No.1 Liftcylinder**



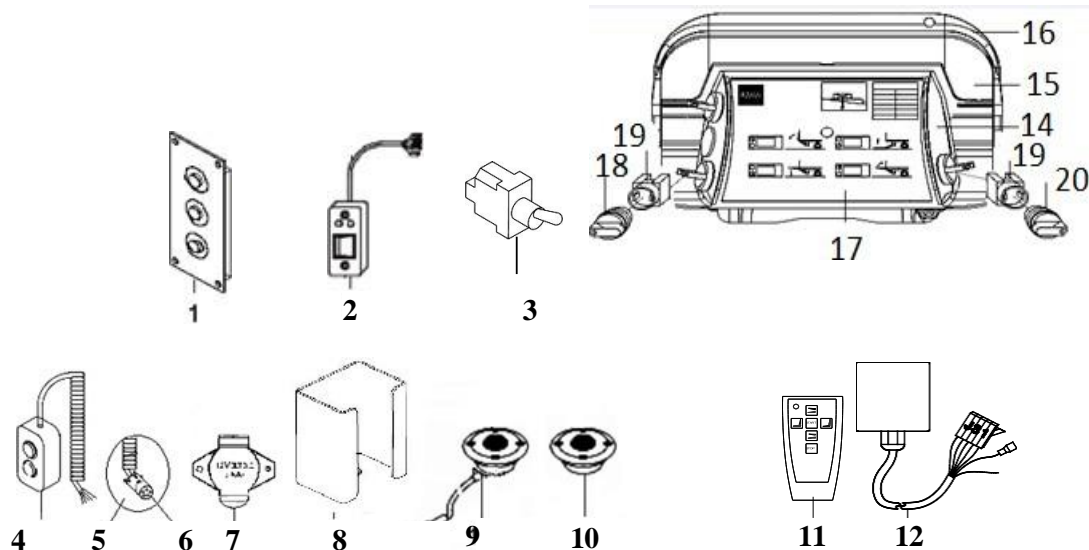
No.	Description	Part no.
	<i>Piston rod diameter - lift cylinder</i>	<b>63mm (2 ½")</b>
	<i>compressed length - lift cylinder</i>	<b>498mm (19 ½")</b>
1	Lift cylinder <i>without release valve</i> 63.28.498	P-2016765
4	Piston rod	P-2034342
5	Rebuild kit	P-1407784
6	Adaptor / hose fitting	P-1188263
7	Restrictor no.3	P-1355942
8	Release valve, single lock	P-67282345
9	Bushing	P-1403367
10	Grease zerk	P-2019653
11	Red cap	P-1191680
12	Sleeve	P-1097838
13	Clamp	P-68430828

**ILSL Push-Pull Cylinder**



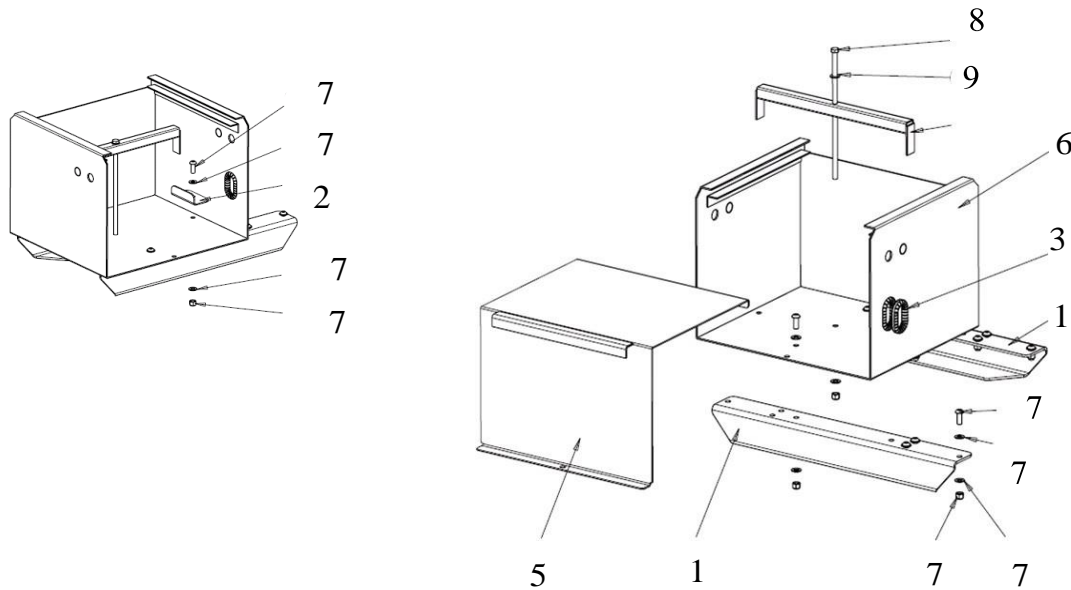
No.	Description	Part No.
<i>Piston rod diameter - 700mm</i>		<b>30mm (1 1/4")</b>
	Push- Pull cylinder 700mm (Measurement 32 1/2")	P-1408003
5	Piston rod - 700	P-1404772
6	End plug	P-1402032
7	Rebuild kit	P-1330763
8	Pin incl. cotter pin	P-1330089
9	Washer	P-1403363
10	Pipe - 700	P-1407998
11	Pipe - 700	P-1407999
12	Fitting - 90° elbow	P-1232266
13	Tee- Fitting	P-1111075
14	Banjo Fitting	P-1000180
15	Nut M14	
16	Hex Head Cap Screw, M14x45mm	
17	Tray, Push Pull	56-1210-350

**ILSL Control System**



No.	Description	Part No.
1	Control, 3 Button flush mount	P-1404997
2	On- off switch, Truck	P-1332494
3	On- off switch, Trailer	3-1NT1-2
4	2 Button hand control with coil	P-72916816
5	2 Button hand control with coil and plug	P-72916816P
	2 Button hand control with coil and 7 way plug	P-1300135
6	Plug, 4 way	3-00010
	Plug, Hella, 7 way	P-1237109
7	Socket, 4 way	3-00011
	Socket, Hella, 7 way w/ seal	P-1299912A
8	Holster for hand control	P-2023801
9	Foot control button 2 wire	P-1330945
10	Foot control button	P-1405256
11	Radio control transmitter, 6 way	3-500655
12	Radio control receiver, 6 way	3-50065
13	Radio control kit - <i>transmitter and receiver</i>	3-50065A
14	Control box with PC-board and harness	P-2033819
	Contro box with cable (without PC-board)	P-2007286
15	Complete outer plastic box	P-2009205
16	Flip down lid	P-2007476
17	Operation lable	ATG-ILUK
18	Momentary turn knob	P-2007456
19	Contact block	P-2007457
20	On-off switch	P-2009186

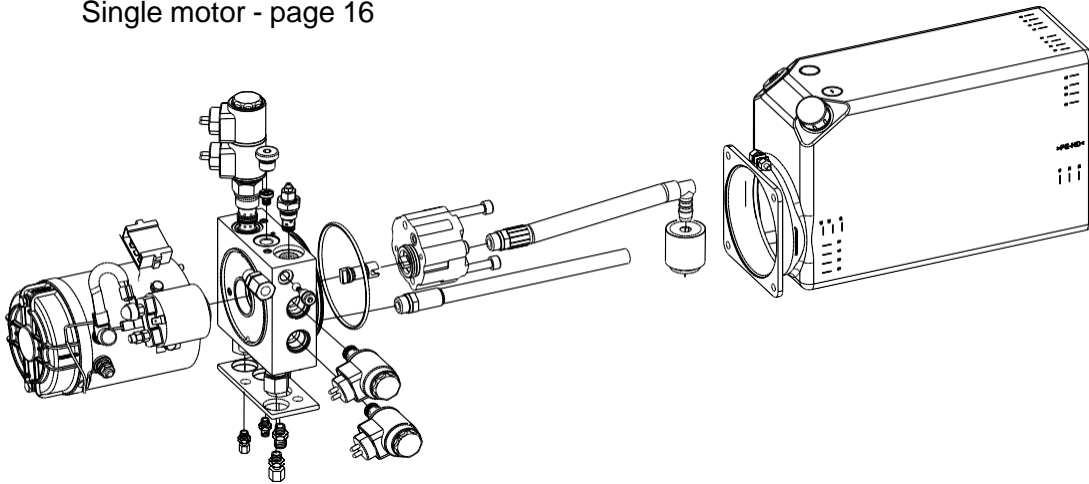
**ILSL Battery Box**



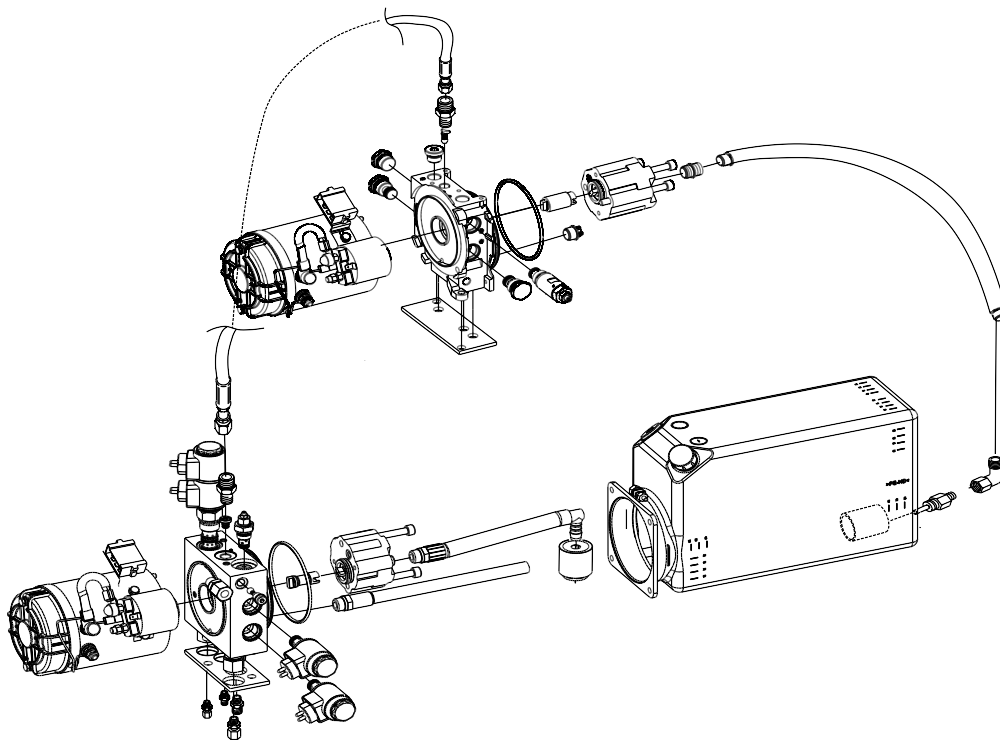
No.	Description	Part No.
1	Support channel, Batt box	60-1211-201
2	Bracket	60-1211-202
3	Loom, 1/2" 6.5" cut length	60-1211-203
4	Base, Batt Box 4 batteries	2-00004BB33-BASE
	Base, Batt Box 2 batteries	60-1211-220
5	Lid, Batt Box 4 batteries	2-00004BB33-LID
	Lid, Batt Box 2 batteries	60-1211-225
6	Hold down 2 batteries	90-1211-210
7	Bolt, Kit w/ washers and nut	1-00024
8	HHCS, 3/8"-16 x 11	
9	3/8" WASHER	

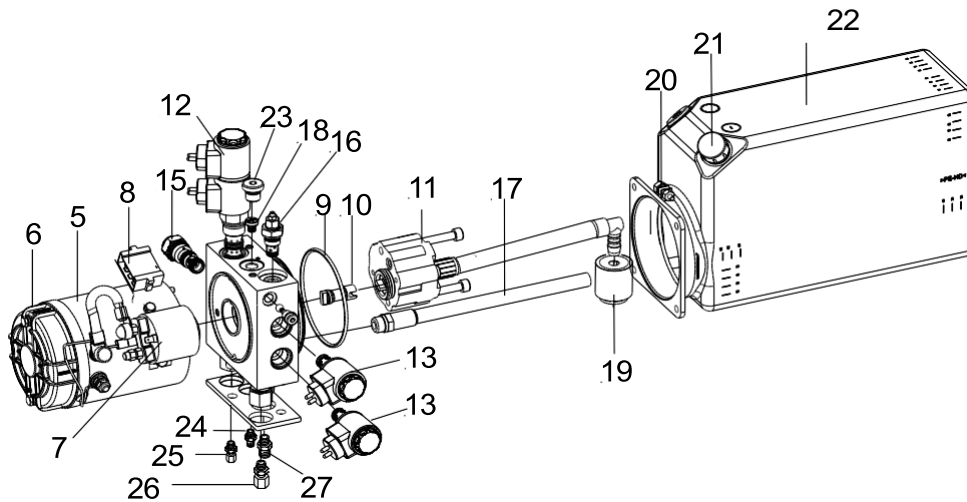
**ILSL POWER PACK****Overview**

Single motor - page 16



Dual motor - page 17



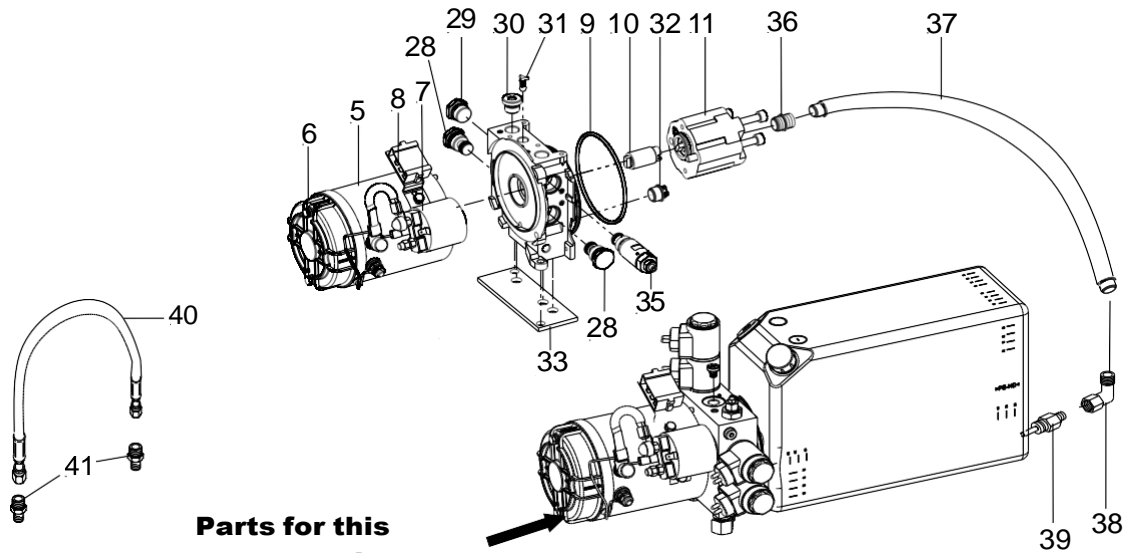
**Single Motor Power Pack**

No.	Description	Part no.
1	Power Pack- single motor	P-2019902A
2	Second motor - <i>just dual power pack</i>	N/A
5	Motor	P-2020866
6	Carbon brushes kit	P-1410330
7	Motor solenoid	P-1404303
8	Terminal block	P-68354986
9	Seal ring	P-2009743
10	Coupler	P-2020617
11	Pump incl. coupler, pipe, filter	P-2020618
12	Two way release valve	P-2021832A
13	Single locking release valve	P-67282345
15	Pilot operated check valve	P-2021835
16	Pressure control valve	P-2021834
17	Return pipe	P-2021825
18	Check valve	P-2021826
19	Pump filter	P-2018681
20	Clamp for oil reservoir	P-2009743
21	Breather cap	P-2021824
22	Oil reservoir	P-2021823
23	Plug	P-2021827
24	Adaptor (male ¼ BSPP; male ¼ JIC)	PD-3121317
25	Fitting (male ¼ BSPP; female ¼ JIC)	PD-3121319
26	Fitting (male ¼ BSPP; female ⅜ JIC)	PD-3121316
27	Adaptor (male ¼ BSPP; male ⅜ JIC)	PD-3121310



**ILSL SECONDARY PUMP & MOTOR**

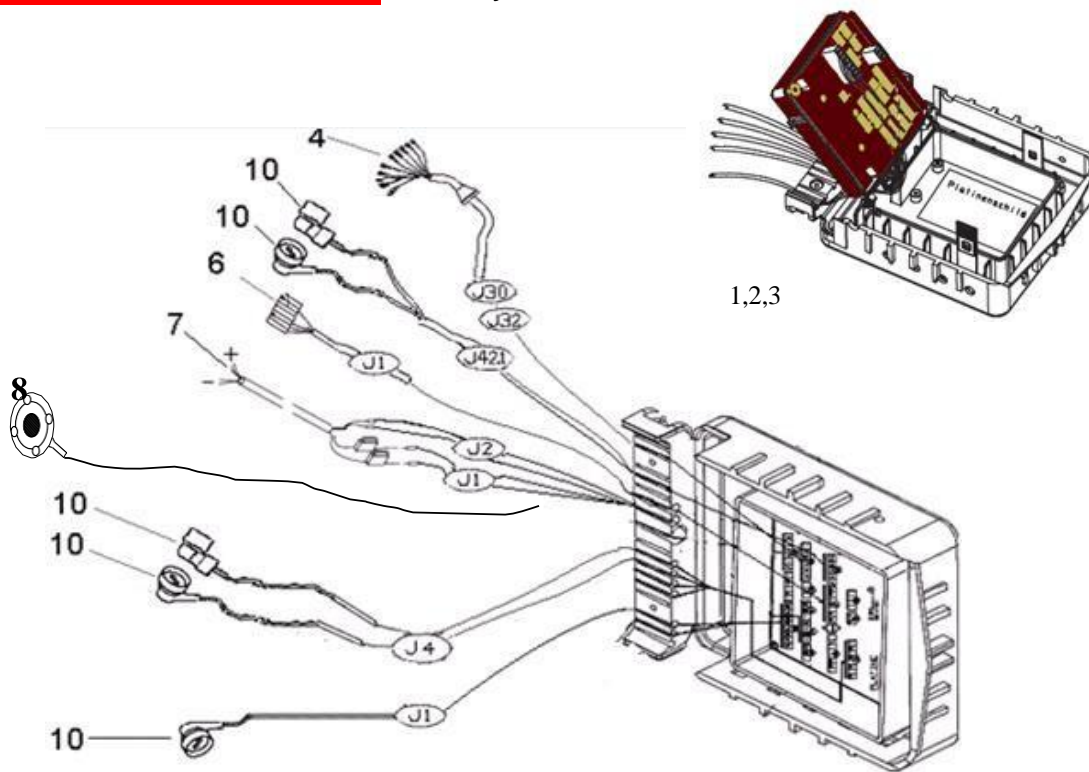
**Dual Power Pack**



**Parts for this power pack see page 16**

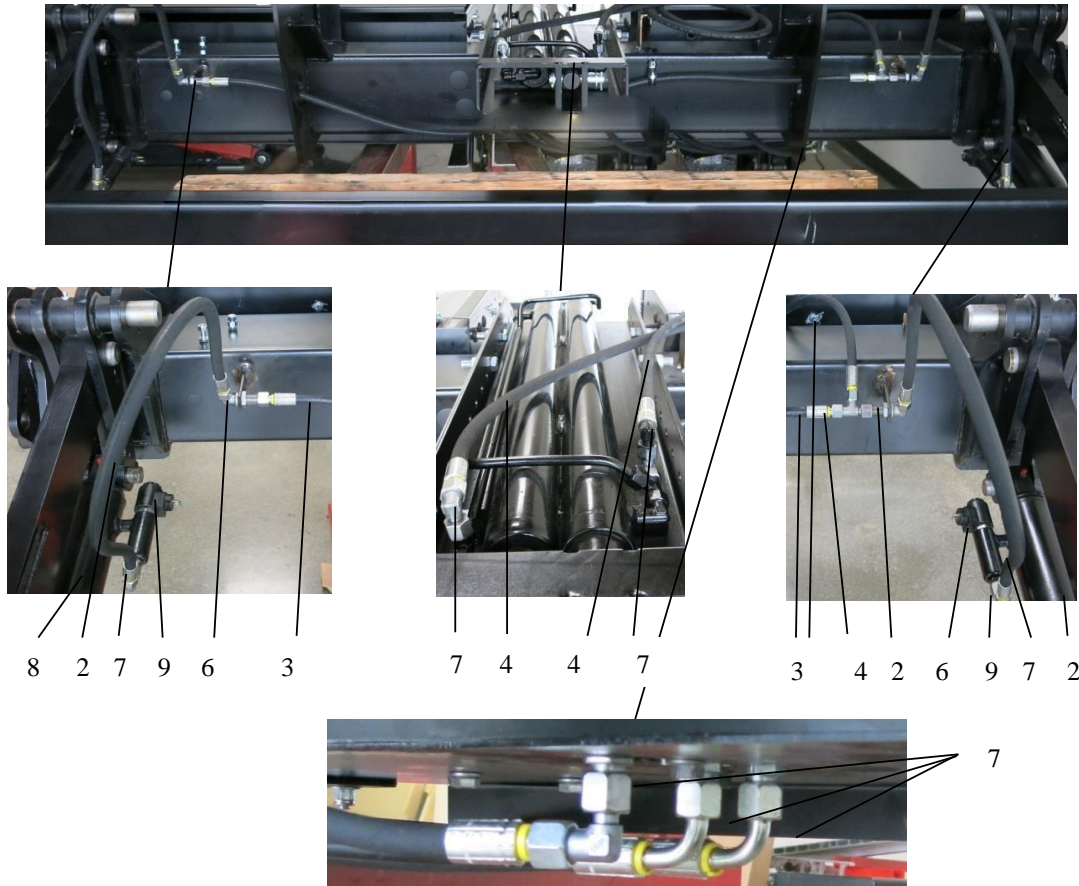
No.	Description	Part no.
1	Dual power pack - incl. hoses and fittings	P-2019905A
2	Pump and motor secondary	P-2019905
5	Motor	P-2020866
6	Carbon brushes kit	P-1410330
7	Motor solenoid	P-1404303
8	Terminal block	P-68354986
9	Seal ring	P-2009743
10	Coupler	P-2021842
11	Pump - MBB	P-2020618
28	Port plug	P-2021838
29	Plug, Hydraulic, Replace Kit	HV 773
30	Plug	P-2021840
31	Check valve	P-2021841
32	Plastic plug	P-9082518000
33	Rubber plate	P-2021843
35	Pressure sensing valve	P-2021839
36	Adaptor (male 3/8 JIC; male 3/8 BSPP)	PD-3121324
37	Hose - second pump to oil reservoir	PD-3121325
38	90° fitting (male 3/8 JIC; female 3/8 JIC)	PD-3121315
39	Fitting - filter included	PD-3121326
40	Hose - hydraulic	PD-3121321
41	Adaptor (male 1/4 BSPP; male 3/8 JIC)	PD-3121310

**ILSL PC- Board and Cables** - New style



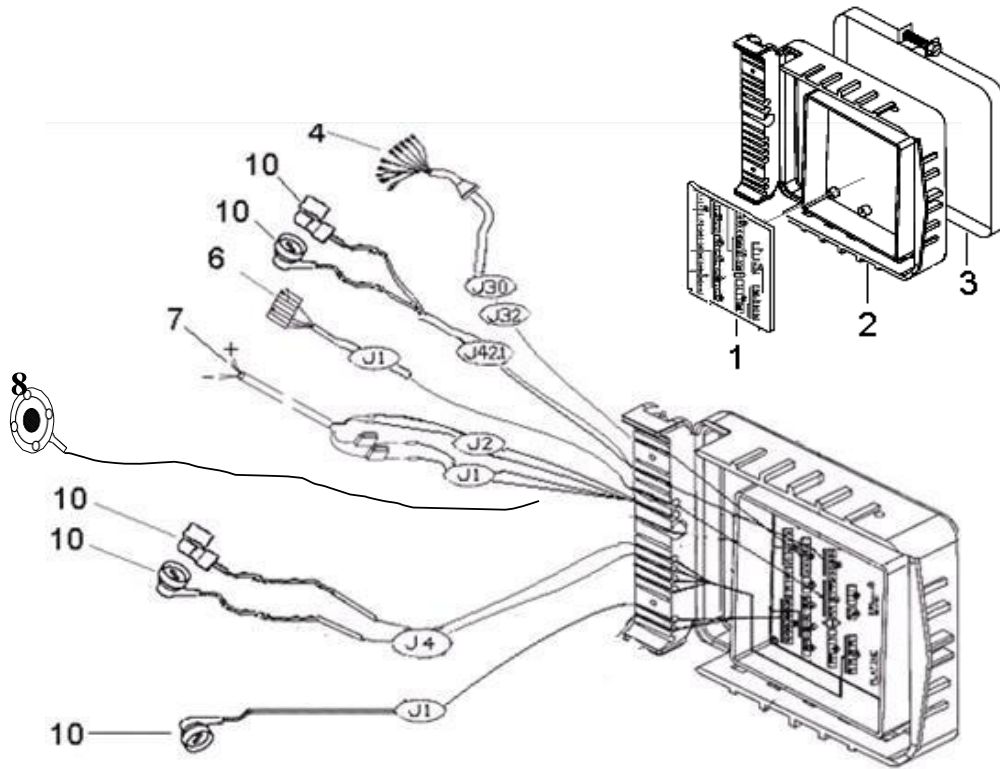
No.	Description	Part No.
1	PC- board M Control	P-2029092
2	Cover with hinge - for control system	P-2029906
3	Clamp for cover	P-2010169
4	Wire harness for control box (J30+J32)	P-2007410
6	Wire harness for power pack (J1)	P-2010018
7	Wire harness for circuit board power (J1+J2)	P-2007406
8	Wire harness with foot control switch (J3)	P-1330945
10	Cable for solenoid valve (J1), (J4), (JK)	P-67254198

**ILSL Hydraulic** - New Style



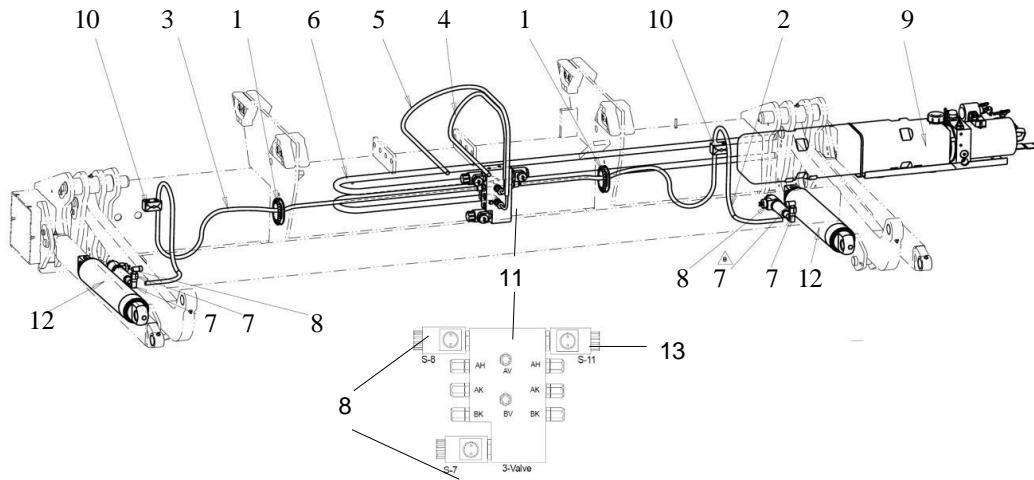
No.	Description	Part No.
2	Hose, rubber 850 mm	P-2021337
3	Hose, rubber 1400 mm	P-2021335
4	Hose, rubber 2000 mm	P-2021336
5	Tee fitting	P-1111075
6	90 degree bulk head fitting	P-1111060
7	Elbow Fitting, 10L, 900,	P-1232266
8	Cylinder, Lift	P-2033916
9	Valve+Coil, 12V, Single Lock	P-67282345

**ILSL PC- Board and Cables** - Early style

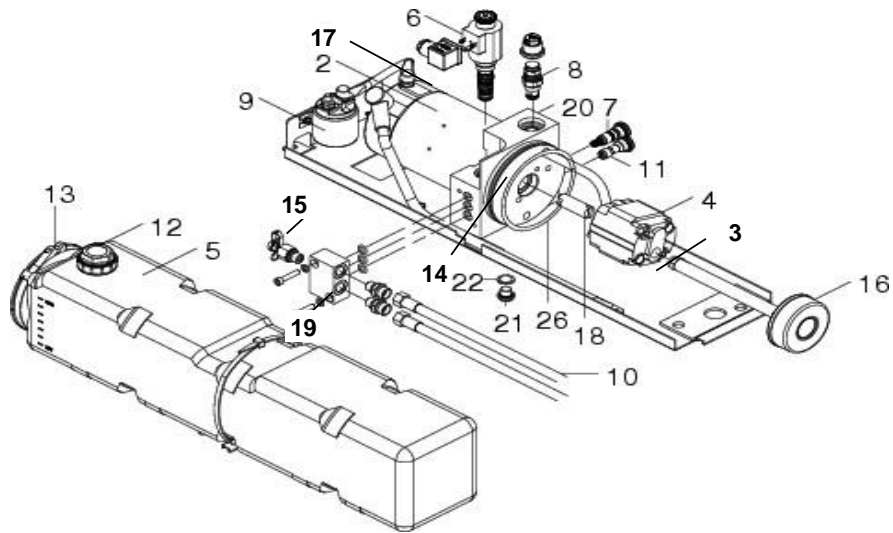


No.	Description	Part No.
1	PC- board <i>K plus</i>	P-2007193FP
2	Cover with hinge - for control system	P-2029906
3	Clamp for cover	P-2010169
4	Wire harness for control box (J30+J32)	P-2007410
6	Wire harness for power pack (J1)	P-2010018
7	Wire harness for circuit board power (J1+J2)	P-2007406
8	Wireharness with foot control switch (J3)	P-1330945
10	Cable for solenoid valve (J1), (J4), (JK)	P-67254198

**ILSL Hydraulic - Early style**



No.	Description	Part No.
1	1/2" Split Loom, 6.25"	80-1211-006
2	Hose, 1600 mm, Lift Cylinder	P-1016771
3	Hose, 2000 mm, Lift Cylinder	P-1023187
4	Hose, 1000 mm, PP Cylinder	P-1110229
5	Hose, 1000 mm, PP Cylinder	P-1110229
6	Hose, 2000 mm, Pump/Motor	P-1112885
7	Elbow Fitting, 10L	P-1232266
8	Valve + Coil, 12V, Double Lock	P-1284466
9	Pump/Motor/Reservoir, ILFP Gravity Down	P-1406000
10	Plastic Holder, Hose System	P-1406960
11	Valve Block, ILFP	P-1409657
12	Lift Cylinder	P-2033916
13	Valve + Coil, 12V, Single Lock	P-67282345

**ILSL MBB Power Pack**

No.	Description	Part No.
1	Power pack w/tray , complete	P-1406000
2	Motor 12 Volt	P-1353555
3	Pipe	on request
4	Pump, 2ccm	P-1298068
5	Oil reservoir, 8liter	P-1362483
6	Shift valve (S-5)	P-1299412
7	Flow divider spring & plunger	P-1405972
8	Pressure relief valve	P-1298111
9	Motor solenoid	P-1320127
10	Hydraulic hoses to valve block	P-1112885
11	Flow control valve (R5)	P-1298086
12	Breather cap	P-1362518
13	Clamp for oil reservoir	P-1362509
14	O-ring Oil Reservoir	P-1297972
15	Hydraulic hose Adapter - Gauge	P-71067009
16	Pump filter	P-1298022
17	Carbon brushes kit (4 pieces)	P-1410330
18	Coupler 17x48	P-1406264
19	Adaptor 1/4 X 10l Hose Fitting	P-1188263
21	Drain plug	P-66373088
22	Sealing washer	P-1298013

