



LIFTGATES

ILQ 22

PARTS MANUAL

ECN-M0XXX Rev. 1.2, Date 02-06-2014 Part #90-0614-000

*PALFINGER Liftgates, LLC. 15939 Piuma Ave., Cerritos, CA 90703
Tel (888)-774-5844 Fax (562)-924-8318*

*PALFINGER Liftgates, LLC. 572 Whitehead Road, Trenton, NJ 08619
Tel (609)-587-4200 Fax (609)-587-4201*

[Visit our website at www.palfinger.com](http://www.palfinger.com) for up to date information and notifications

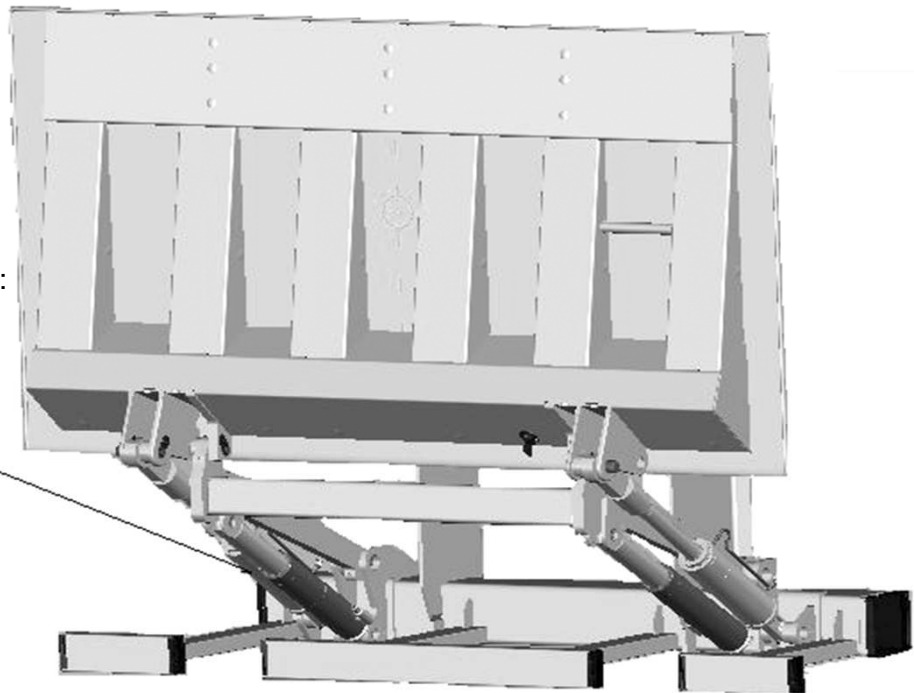
**If you received this product with damaged or missing parts,
Please contact PALFINGER Liftgates at (888)-774-5844**

INDEX

ILQ - 4 cylinder liftgate

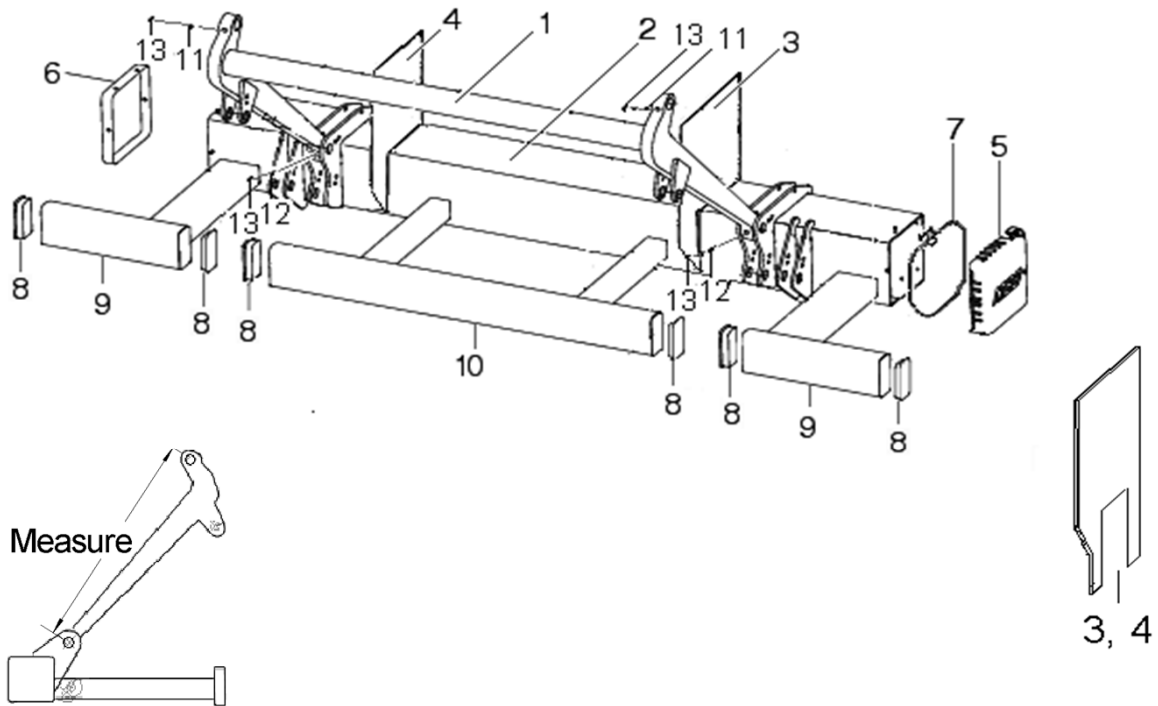
Important gate information:
On the top of the tube on
the driver side

INTERLIFT		PALFINGER
Cerritos, CA (888) 774 - 8044		
Hainesport, NJ (609) 285 - 7997		
Model	Serial No.	Date
<input type="text"/>	<input type="text"/>	<input type="text"/>



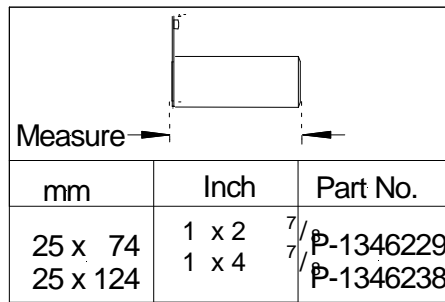
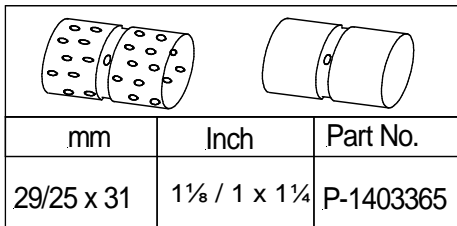
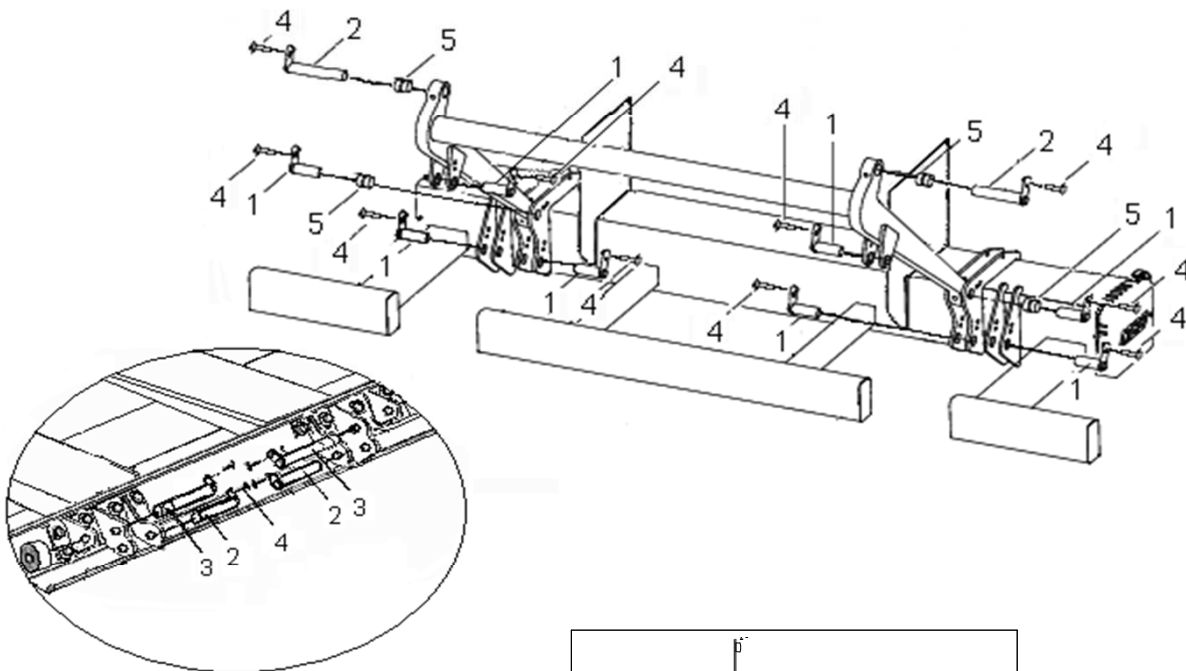
	Description	Page
	LIFTING GEAR	3
	PINS & BUSHINGS	4
	PLATFORM Steel	5
	CONTROL SYSTEM	6
	CYLINDER AND COMPONENTS	7
	POWER PACK MBB	8
	HYDRAULIC PIPE	9

ILQ LIFTING GEAR



No.	Description	Part no.
1	Lift arm - 700mm (27 1/2")	P-1344879
2	Main frame	P-1344495
3	Mount plate - <i>curb side</i>	P-2006915
4	Mount plate - <i>driver side</i>	P-2006915
5	Cover for control system	P-2029906
6	Rubber cover	P-68483018
7	Clamp for cover	P-2010169
8	Mount tube plastic end	P-2013674
9	Bumper - <i>outer</i>	on request
10	Bumper - <i>center</i>	on request
11	Grease zerk	P-2019653
12	Grease zerk 45 degree	P-1284493
13	Red cap	P-1191680

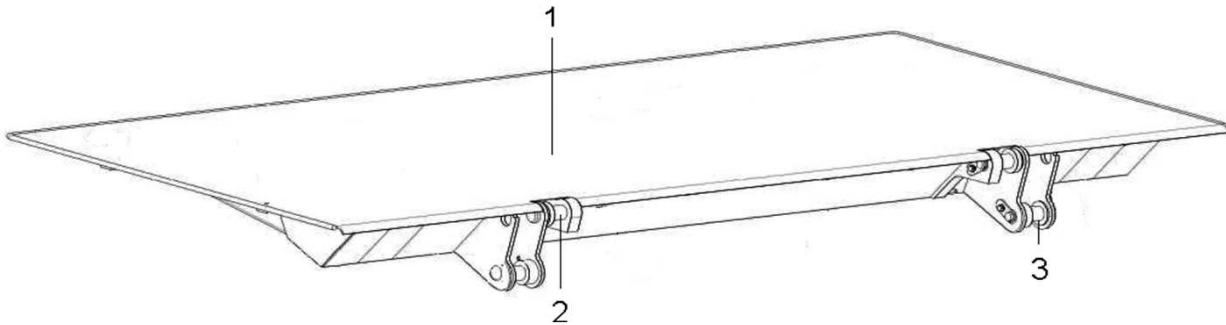
ILQ PINS & BUSHINGS



No.	Description	Part no.
PINS		
1	Pin lift arm, tube ; lift arm, lift cylinder ; tube, cylinders	P-1346229
2	Pin platform, lift arm	P-1346238
3	Pin platform, tilt cylinder	P-1346238
4	Bolt, pin lock	P-2009212
BUSHINGS		
5	Bushing lift arm	P-1403365
KITS		
	Pin kit, compl. lifting gear, platform, cylinders, 2 groundrollers	P-1407078
	Bushing kit, compl. lifting gear, platform, cylinders	P-1407086
	Ground Roller kit. Roller, Pin, Wavher, Snap ring, bott	P-1400927

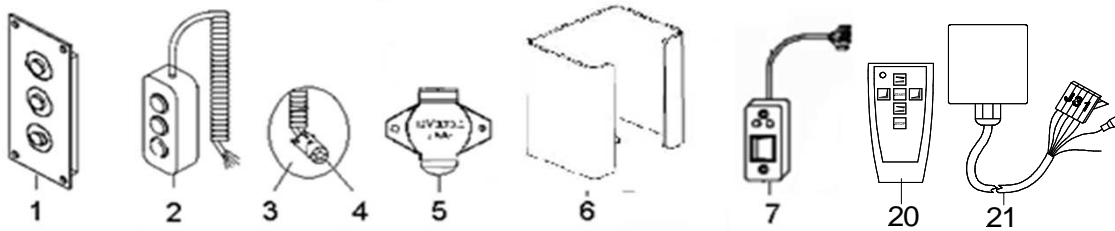
ILQ PLATFORM

Steel platform

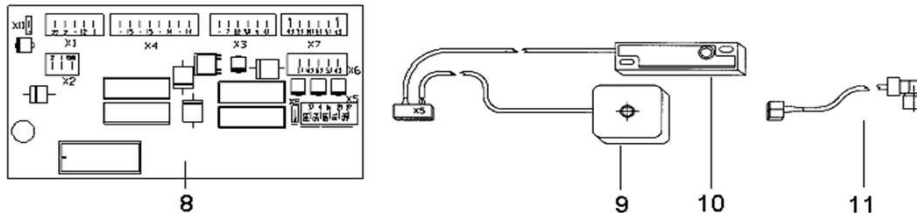


No.	Description	Part no.
1	Platform - steel	on request
2	Pin platform, lift arm	P-1346238
3	Pin platform, tilt cylinder	P-1346238

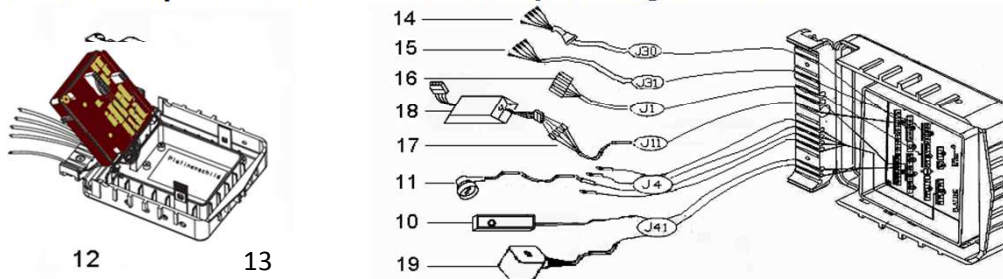
ILQ CONTROL SYSTEM



PC- Board quattro- in the tube on the driver side



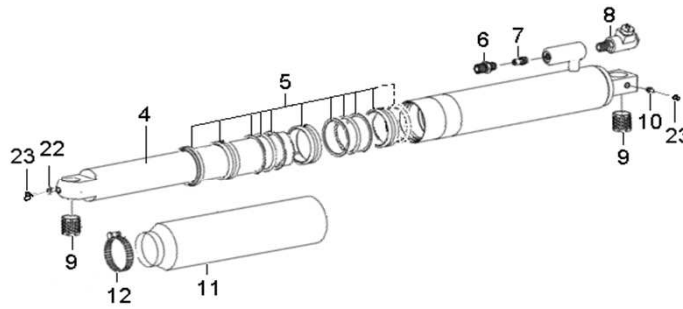
PC- Board K1 plus - in the cover of the passenger side



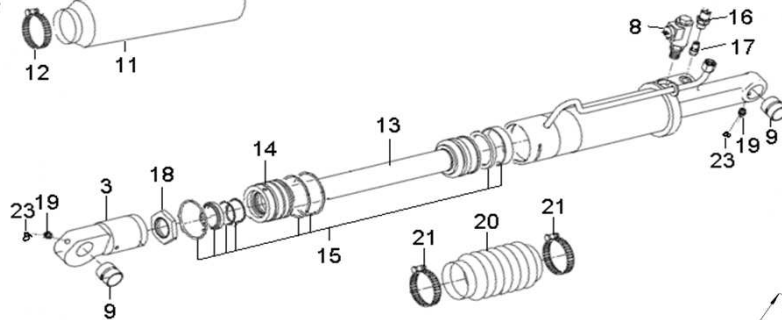
No.	Description	Part no.
1	Control, 3 Button flush mount	P-1404997
2	3 Button hand control with coil	P-1203305
3	3 Button hand control with coil and plug	P-1203305P
	3 Button hand control with coil and 7 way plug	P-1319559
4	Plug, 5 way	3-00020
	Plug, Hella, 7 way	P-1237109
5	Socket, 5 way	3-00021
	Socket, Hella, 7 way w/ seal	P-1299912A
6	Holster for hand control	/1-00050
7	Cab on-off switch	P-1332494
8	PC- Board quattro	P-1407378
9	Sensor B16 for platform (J41) - 3 wire	P-1404176
10	Sensor B13 for lift arm (J41)	P-1332476
11	Cable for solenoid valve (J4)	P-67254198
12	PC- board M Control	P-2029093
13	Cover for control system	P-2029906
14	Wire harness for control box (J30)	P-2007295
15	Wire harness for hand control (J31)	P-2008921
16	Wire harness for power pack (J1)	P-2007406
17	Wire harness for cab on-off switch (J11)	P-2007049
18	Power relay for J11	P-2007044
19	Sensor B16 for platform (J41) - 4 wire	P-2015796
20	Radio control transmitter, 4 way	P-2016979
21	Radio control receiver, 4 way	P-2016978
22	Radio control kit - transmitter and receiver	P-2019956

ILQ CYLINDER AND COMPONENTS

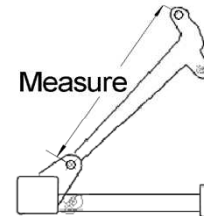
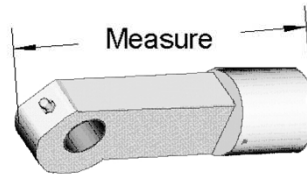
No.1 Lift cylinder



No.2 Tilt cylinder

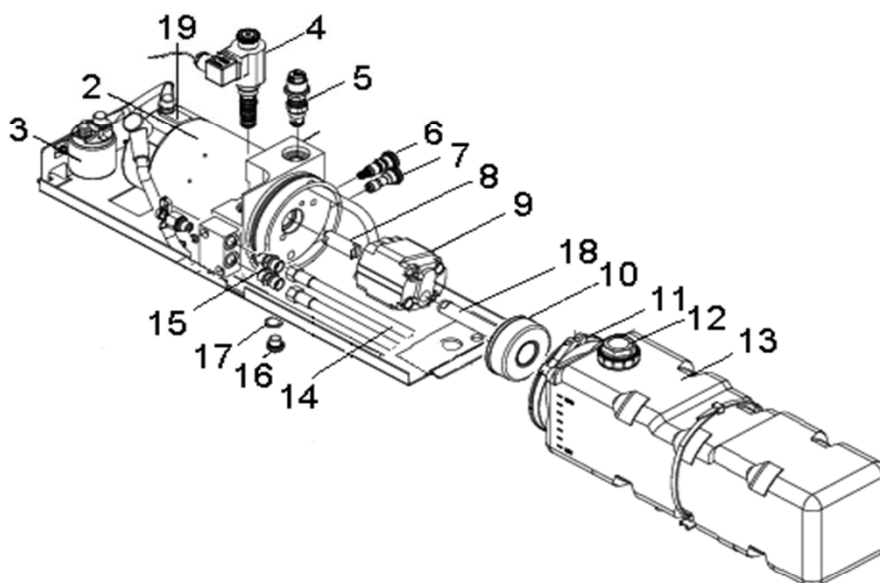


No.3 Adjusting head



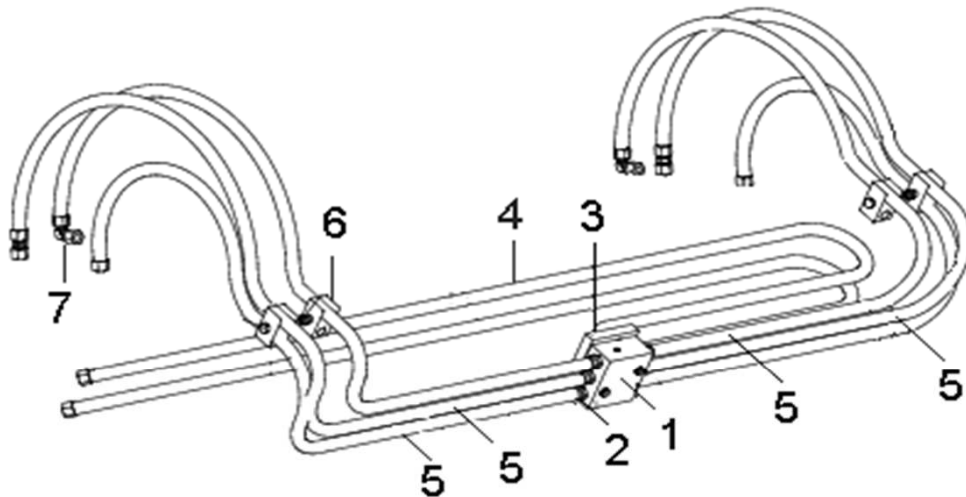
No.	Description	Part no.
	<i>Lift arm</i>	700mm (27 1/2")
	<i>Piston rod diameter- lift cylinder</i>	45mm (1 3/4")
	<i>Piston rod diameter- tilt cylinder</i>	30mm (1 1/4")
1	Lift cylinder <i>without release valve</i>	P-1346953
2	Tilt cylinder <i>without release valve</i>	P-1402740
3	Adjusting head (9")	P-1346999
4	Piston rod	P-1403798
5	Rebuild kit - <i>lift cylinder</i>	P-2021846
6	Adaptor / hose fitting	P-1232140
7	Restrictor control valve	P-1355899
8	Release valve	P-67282345
9	Bushing	P-1403365
10	Grease zerk	P-2019653
11	Sleeve - <i>lift cylinder</i>	P-1134658
12	Clamp	P-68430828
13	Piston rod for tilt cylinder	P-1410872
14	End plug	P-1137235
15	Rebuild kit - <i>tilt cylinder</i>	P-1330665
16	Adaptor / hose fitting	P-1188263
17	Restrictor control valve	P-1355899
18	Lock nut for tilt cylinder	P-67271785
19	Grease zerk	P-2019653
20	Rubber bellows	P-67259238
21	Clamp	P-68430828
22	Grease zerk	P-2019653
23	Red cap	P-1191680

ILQ MBB POWER PACK



No.	Description	Part no.
1	Power pack	P-1406008
2	Motor 12 Volt	P-1353555
3	Motor solenoid	P-1320127
4	Shift valve (S-5)	P-1299412
5	Pressure control valve	P-1298111
6	Shuttle valve since 1998	P-1405972
	Flow divider till 1998	P-1298102
7	Flow control valve (R5)	P-1298086
8	Coupler	P-1406264
9	Pump	P-1404480
10	Pump filter	P-1298022
11	Clamp for oil reservoir	P-1362509
12	Breather cap	P-1362518
13	Oil reservoir	P-1362492
14	Hydraulic hose	P-1112885
15	Adaptor	P-1188263
16	Drain plug	P-66373088
17	Sealing washer	P-1298013
18	Pipe	on request
19	Carbon brushes kit (4 pieces)	P-1410330

ILQ HYDRAULIC PIPE



No.	Description	Part no.
1	Alu valve block with adaptor	P-1330067
2	Hose fitting	P-1188263
3	Hose fitting	P-1149677
4	Hydraulic hose - each	P-1112885
5	Hydraulic hose - each	P-1273114
6	Plastic holder	P-1406960
7	Fitting - 90° elbow	P-1232266