

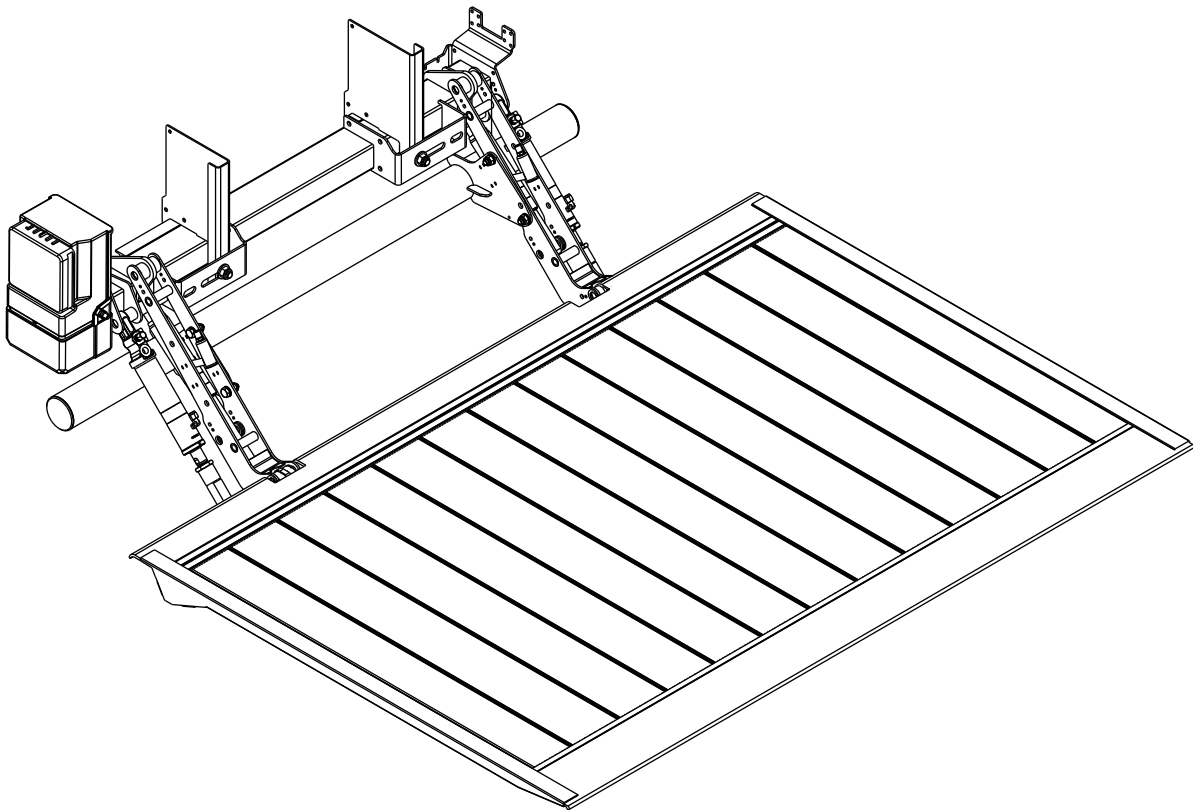
PALFINGER



LIFTGATES

PARTS MANUAL

ILK 18, 1800 lbs. Capacity



ILK 18 Parts Manual
Document Part Number: 90-0417-000 / 17-683_90-00_00-00
ECN-M1555, Rev. 1.1, 03-26-21
Copyright © 2021 Palfinger Liftgates LLC.
All Rights Reserved.

Information in this document is subject to change without notice.
Visit www.palfinger.com for up to date information and notifications.

Technical Support
technicalservice@palfinger.com

Parts Order/Inquiries
liftgateparts@palfinger.com



15939 Piuma Ave.
Cerritos, CA 90703
Tel (888) 774-5844
Fax (562) 924-8318



572 Whitehead Road.
Trenton, NJ 08619
Tel (609) 587-4200
Fax (609) 587-4201

Built to Deliver - Every Time

Parts Orders:

- There is a \$50.00 minimum parts order.
- Ground freight is free for spare parts orders exceeding \$1,500.00, excluding platforms, runners, mount frames and other main assemblies.
- Contact parts department, our hours are from 8 am EST in NJ until 5 pm PST in CA
- California: (888) 774-5844, or (562)924-8218, ext. 97, 29 , or 15; Fax: (562) 924-8318.
New Jersey: at (609) 587-4200; Fax: (609) 587-4201.
E-mail orders or inquires for both locations to: liftgateparts@palfinger.com
- Next Day Air shipments must be received by 2:30 pm local time at either location.
- To ensure quick delivery when placing an order, please be sure to include: liftgate model, serial number, part number, and description in accordance with spare Parts List.
- Any parts being returned must have Return Merchandise Authorization (RMA) number, copy of invoice and a detailed packing list of returned parts. RMA numbers will be issued by parts department and are valid for 30 days. All returned RMA parts must be returned to Palfinger Liftgates by prepaid freight or by call tag.
- Parts must be returned in **NEW CONDITION**. To receive credit on returned parts, the original purchase date must be within 6 month and authorized by Palfinger Liftgates.
- Returned parts are subject to a 20% restocking charge.
- Any part received not in new condition will be subject to inspection and possible refusal. All Palfinger Liftgates parts are covered for one year from date of purchase against defects in material and workmanship.
- **Warranty Coverage: part replacement only.**

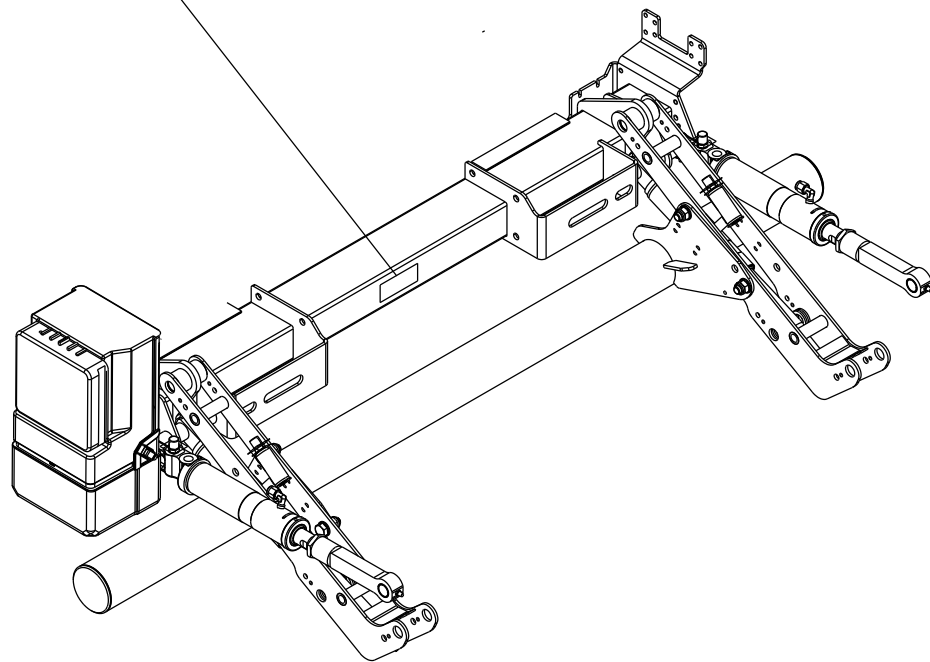
Built to Deliver - Every Time

Important Liftgate Information:

1. Liftgate serial information can be found on the rear face of the mount tube. Please have the liftgate information ready when ordering parts to assure parts are replaced accurately.

Serial Number Tag

PALFINGER		
(888) 774-5844	CERRITOS, CA. TRENTON, N.J.	
Model	Serial No.	Date
<input type="text"/>	<input type="text"/>	<input type="text"/>



Built to Deliver - Every Time

Table of Contents

1 **Frame 6**

2 **Lift Cylinder 8**

3 **Tilt Cylinder..... 9**

4 **Platform – Aluminium..... 10**

5 **Cart Stops - Aluminum Platforms..... 12**

6 **Power Pack 13**

7 **Hydraulic Hoses 14**

8 **Bridge Kit 14**

9 **Flip Up Door Kit 15**

10 **Full Door Seal Kit..... 16**

11 **Battery Box Kits..... 17**

12 **Trailer/Truck Charge Kits..... 19**

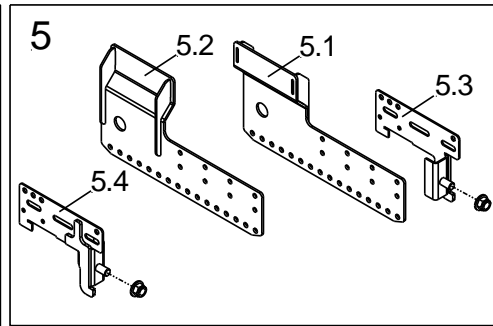
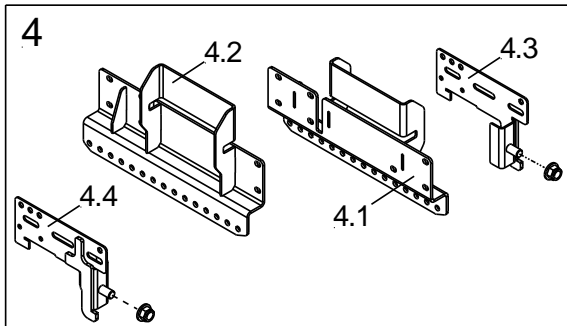
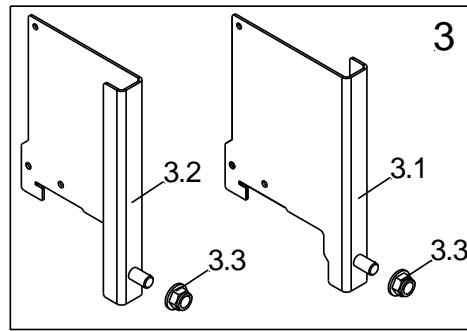
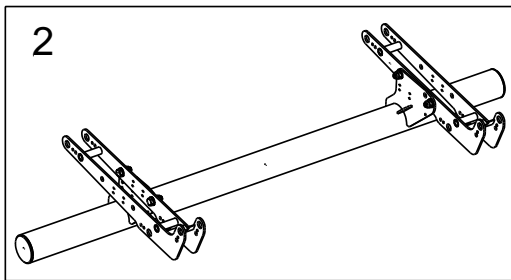
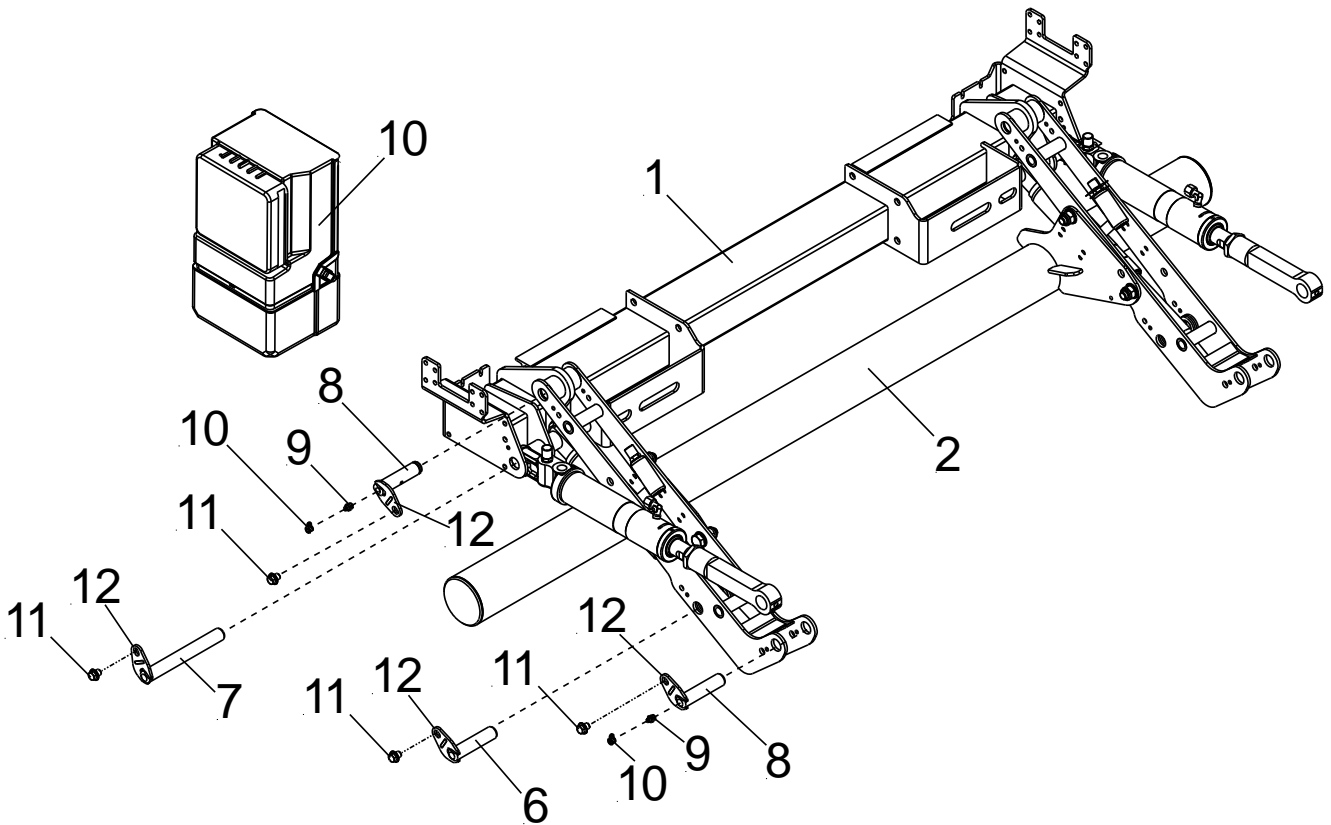
13 **Control Box System 21**

14 **Controls..... 22**

15 **Decals..... 24**

Built to Deliver - Every Time

1 Frame



Palfinger Liftgates, LLC.
15939 Piuma Ave, Cerritos, CA 90703
Tel: (888) 774-5844, Fax: (562) 924-8318

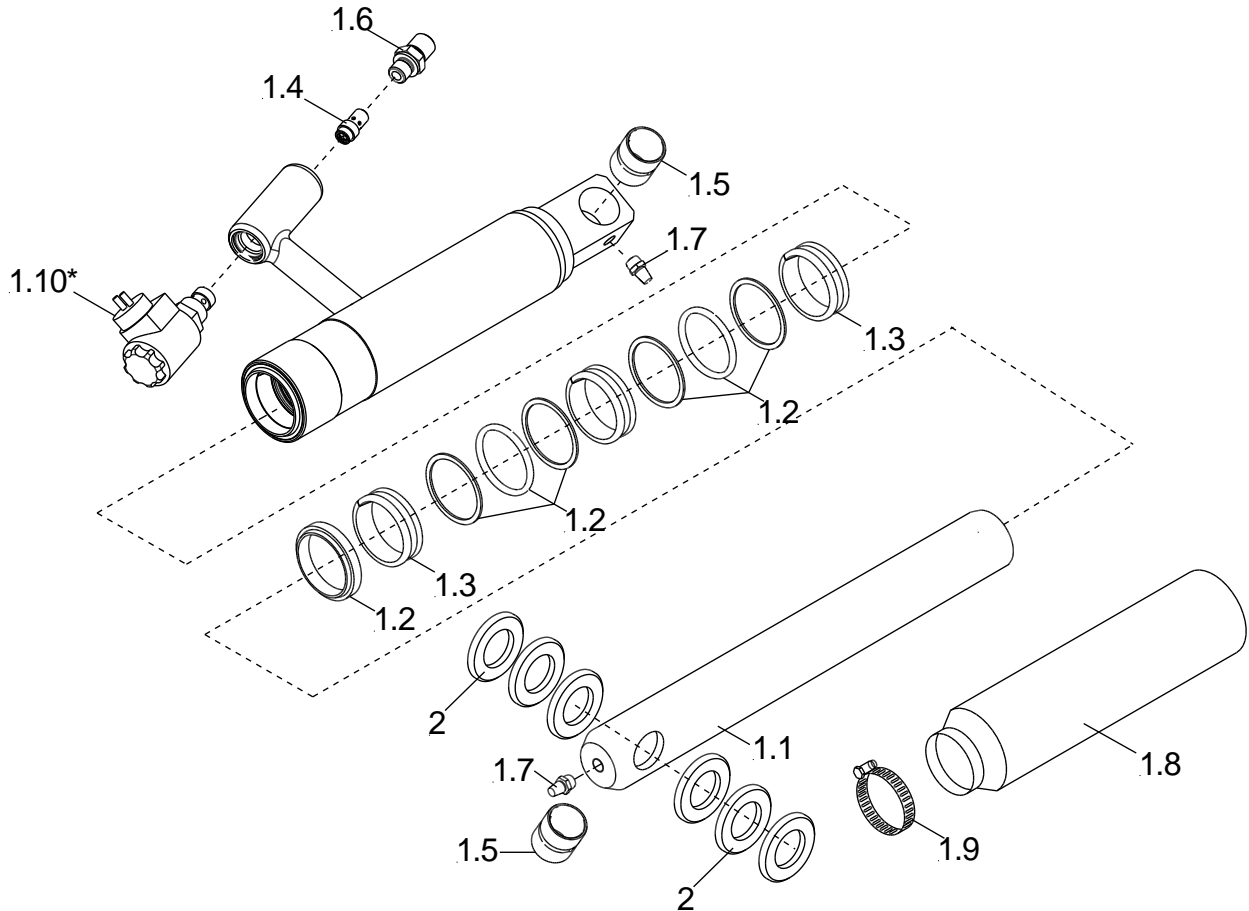
Palfinger Liftgates, LLC.
572 Whitehead Road, Trenton, NJ 08619
Tel: (609) 587-4200, Fax: (609) 587-4201

Built to Deliver - Every Time

1 - FRAME			
NO.	DESCRIPTION	PART NO.	QTY.
1	Mount Frame	ML1405664	1
2	Lift Arms Assembly	P-2027741	1
2.1	Bushing, 25x29x31mm	ELG1063	1
3	Kit, Mount Plates, Left/Right Side, Chassis Frame Mount	65-0417-003	1
3.1	Mount Plate, Chassis Mount, Right Side	4M2029910	1
3.2	Mount Plate, Chassis Mount, Left Side	4M2029911	1
3.3	Nut, Flange, M20x1.5	2025235	1
4	Kit, Mount Plate, Sprinter, Left/Right Side, Bolt-On Bracket	65-0417-001	1
4.1	Mount Plate, Sprinter, Curb Side	4M2024864	1
4.2	Mount Plate, Sprinter, Street Side	4M2024862	1
4.3	Mount Plate, Support Bracket, Bolt On, Curb Side	P-2029915	1
4.4	Mount Plate, Support Bracket, Bolt On, Street Side	P-2029916	1
4.5	Hardware Kit	P-2024861	1
5	Kit, Mount Plate, Transit, Left/Right Side, Bolt-On Brackets	65-0417-002	1
5.1	Mount Plate, Transit, Curb Side	4M2036392	1
5.2	Mount Plate, Transit, Street Side	4M2036389	1
5.3	Mount Plate, Support Bracket, Bolt On, Curb Side	4M2029915	1
5.4	Mount Plate, Support Bracket, Bolt On, Street Side	4M2029916	1
5.5	Hardware Kit	P-2028524	1
6	Pin, 25mmx109mm	P-2026792	1
	Pin, 25mmx110mm, SS	2036454	1
7	Pin, 25mm X205mm	P-2027927	1
	Pin, 25mm X205mm, SS	2043195	1
8	Pin, 25mmx109mm, w/Grease Zerk	P-2021219	1
	Pin, 25mmx110mm, w/Grease Zerk, SS	2044239	1
9	Grease Zerk, M10x1mm	P-69064337	1
10	Plastic Cap, Red	P-1191680	1
11	Bolt, Pin Lock, M12x12	2039049	1
12	Locking Plate	2028340	1
13	Power Pack, 12V	P-2032350	1

Built to Deliver - Every Time

2 Lift Cylinder



2 - CYLINDERS			
NO.	DESCRIPTION	PART NO.	QTY.
1	Lift Cylinder	P-2027727	1
1.1	Piston Rod	ML2036268	1
1.2	Gasket Set Lift Cylinder Dia. 45mm	P-2021846	1
1.3	Guide Ring	P-1134649	2
1.4	Restrictor, 1.1mm (No.1)	P-1355899	1
1.5	Bushing, 25mmx29mmx31mm	ELG1036	2
1.6	Adapter, 1/4" X 10L	EA6236	1
1.7	Grease Zerk, M10x1	P-2019653	2
1.8	Cover, Rubber, 45mm ID	P-2024348	1
1.9	HoseClamp, 50-70/9	P-68430828	1
1.10*	Valve, Release, Single Lock, 12V	P-67282345	1
2	Washer, Nylon, 40mmx26mmx4mm	P-2021118	6

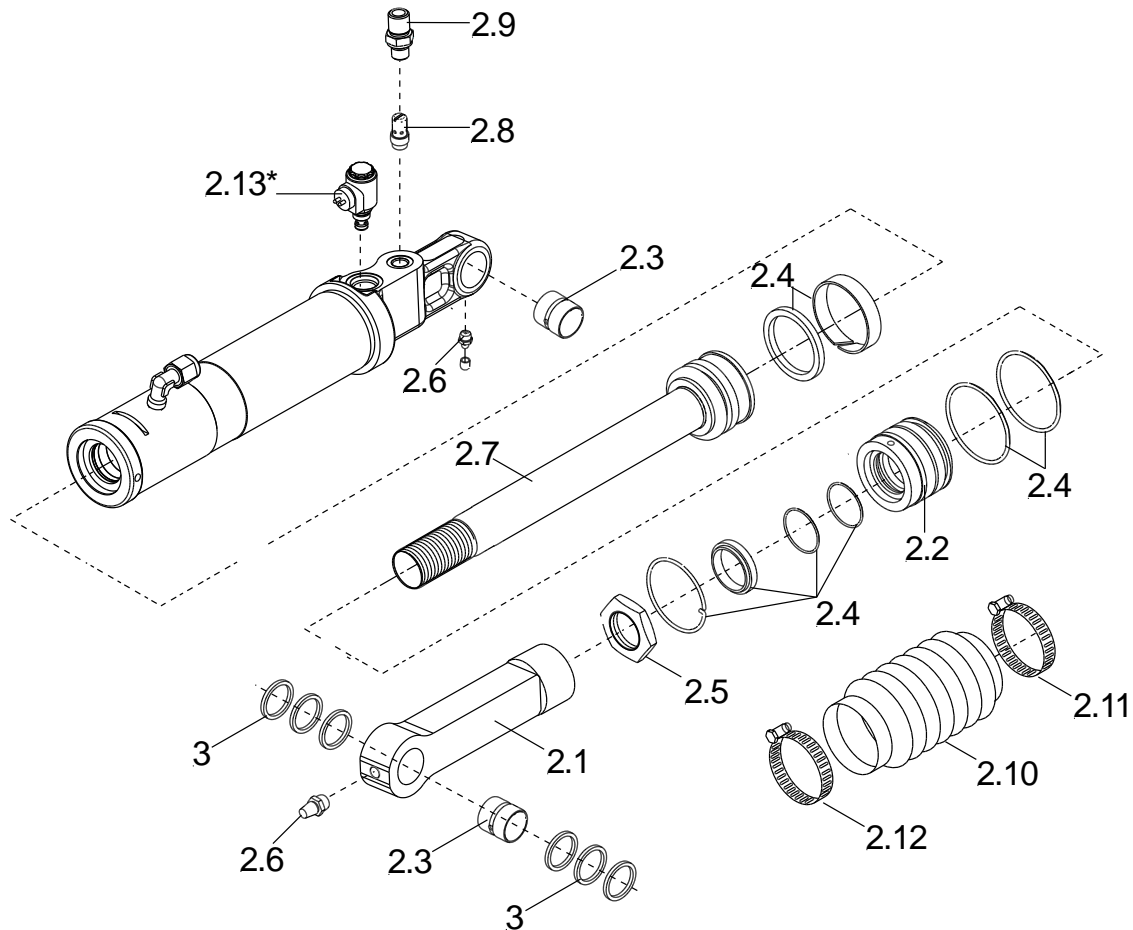
***Items 1 and 2 do not include Items 1.10 and 2.13 (Release Valve). Release Valve is sold separately.**

Palfinger Liftgates, LLC.
 15939 Piuma Ave, Cerritos, CA 90703
 Tel: (888) 774-5844, Fax: (562) 924-8318

Palfinger Liftgates, LLC.
 572 Whitehead Road, Trenton, NJ 08619
 Tel: (609) 587-4200, Fax: (609) 587-4201

Built to Deliver - Every Time

3 Tilt Cylinder



3 – TILT CYLINDER			
NO.	DESCRIPTION	PART NO.	QTY.
2	Tilt Cylinder	P-2024703	1
2.1	Adjustable Head	P-2027738	1
2.2	Piston Rod Bushing	P-1137235	1
2.3	Bushing, 25mmx29mmx31mm	ELG1063	2
2.4	GASKET SET TILT CYLINDER, Ø32mm	P-1330665	1
2.5	Nut, M30x2	P-67271785	1
2.6	Grease Zerk, M10x1	P-2019653	1
2.7	Piston Rod	ML2037909	1
2.8	Flow Control Valve 2 L/Min	P-1365484	1
2.9	Adapter, 1/4" x 10L	EA6236	1
2.10	Rubber Bellows	P-2027073	1
2.11	Hose Clamp, 50-70/9	P-68430828	1
2.12	Clamp	P-68734916	1
2.13*	Valve, Release, Single Lock, 12V	P-67282345	1
3	Washer, Nylon, ø40mm OD x ø26mm ID x 4mm	P-2021118	6

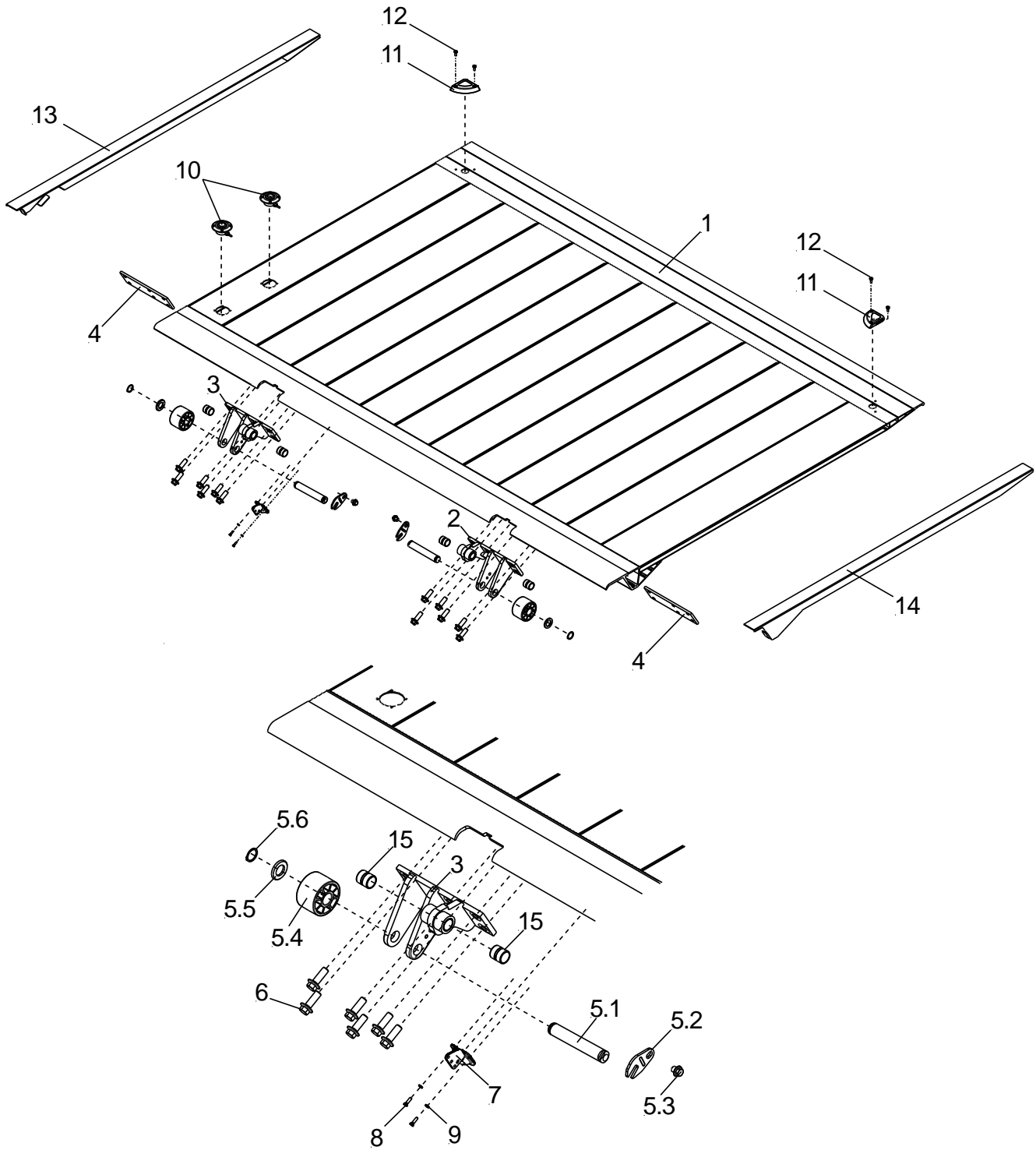
***Items 1 and 2 do not include Items 1.10 and 2.13 (Release Valve). Release Valve is sold separately.**

Palfinger Liftgates, LLC.
 15939 Piuma Ave, Cerritos, CA 90703
 Tel: (888) 774-5844, Fax: (562) 924-8318

Palfinger Liftgates, LLC.
 572 Whitehead Road, Trenton, NJ 08619
 Tel: (609) 587-4200, Fax: (609) 587-4201

Built to Deliver - Every Time

4 Platform – Aluminium



Palfinger Liftgates, LLC.
15939 Piuma Ave, Cerritos, CA 90703
Tel: (888) 774-5844, Fax: (562) 924-8318

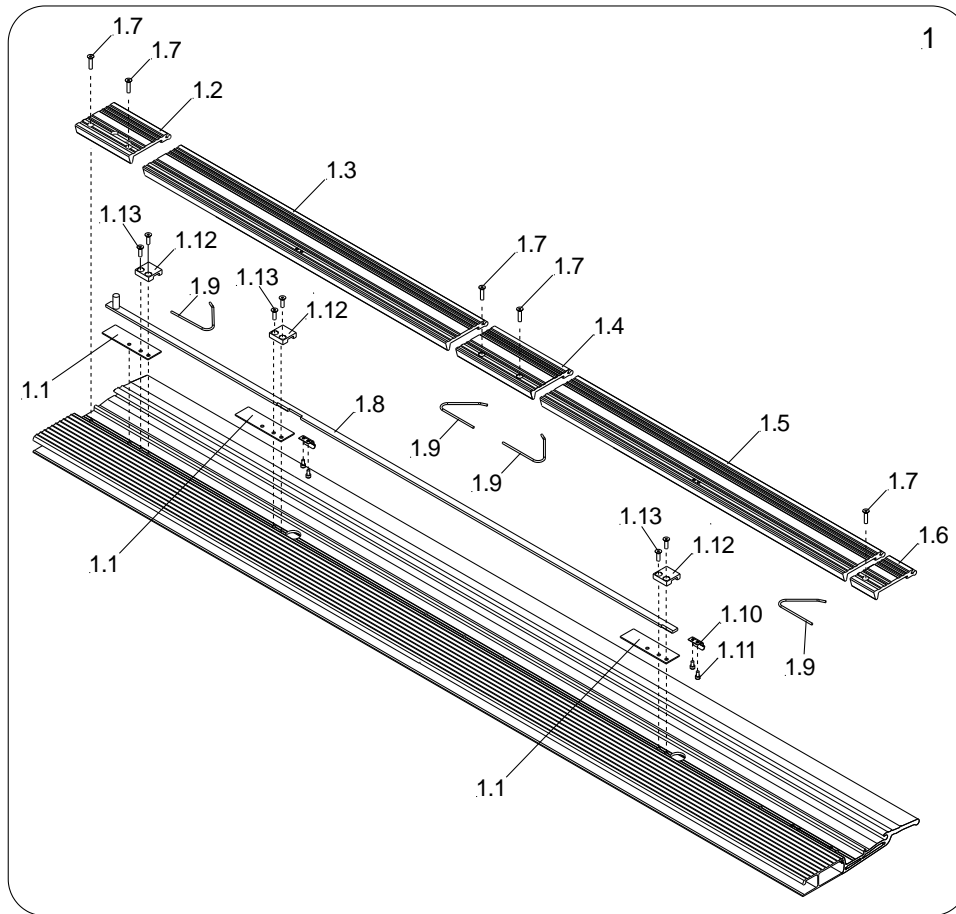
Palfinger Liftgates, LLC.
572 Whitehead Road, Trenton, NJ 08619
Tel: (609) 587-4200, Fax: (609) 587-4201

Built to Deliver - Every Time

4 – PLATFORM ALUMINUM			
NO.	DESCRIPTION	PART NO.	QTY.
1	Platform Assembly, 60"L X 94" W	ML2027694	1
2	Clevis, Right Side	P-2027696	1
3	Clevis, Left Side	P-2027697	1
4	Clevis Plate	P-2027695	1
5	Roller Kit	2044277	1
5.1	Pin, \varnothing 25x156mm	2044275	1
5.2	Pin Plate, Small	2028340	1
5.3	Hex Head Cap Screw, M12X12mm, Flanged, 8.8, DIN 267	2039049	1
5.4	Roller, 80mm X 54mm	P-1217715	1
5.5	Washer	P-68186390	1
5.6	Retaining Ring, 25mmx1.2	P-10280003	1
6	Hex Head Cap Screw, M14x40mm	P-2032710	1
7	Cover, Sensor Mount	P-2019337	1
8	Hex Head Cap Screw, M5x16mm	ML66783375	1
9	Washer, M5	ML10274046	1
10	Foot Switch Controls	P-1330945	1
11	Led Warning Lights	P-2019307	1
12	Screw, Pan Head, M6x15mm	P-1015667	1
13	Side Cover, Curb Side	ML2034958	1
13.1	Side Cover, Curb Side, Cap	ML2032841	1
14	Side Cover, Street Side	ML2034955	1
14.1	Side Cover, Street Side	ML2032840	1
15	Bushing	ELG1063	4

Built to Deliver - Every Time

5 Cart Stops - Aluminum Platforms



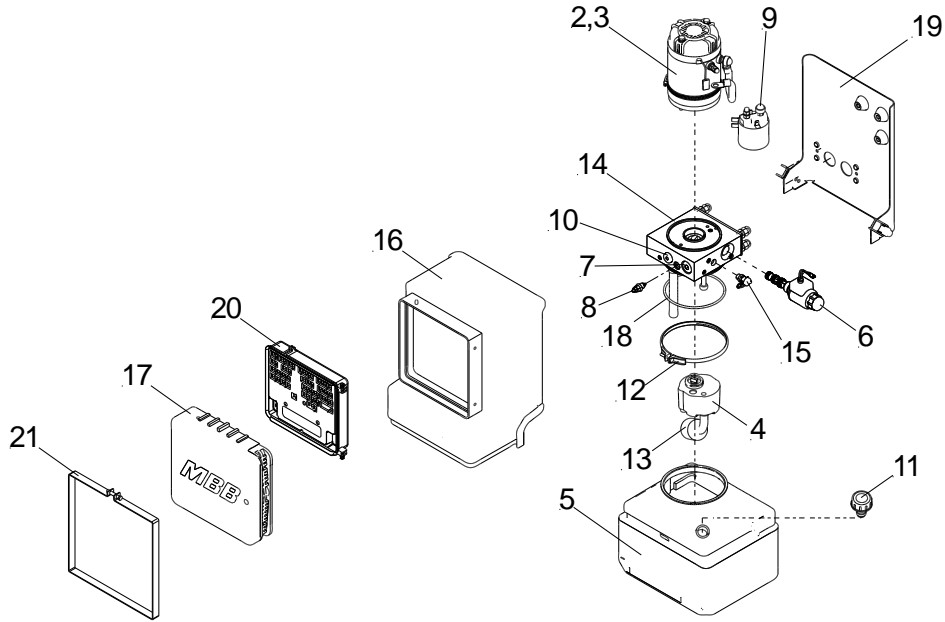
5 – CART STOPS ALUMINUM PLATFORMS			
NO.	DESCRIPTION	PART NO.	QTY.
1	ASSEMBLY, 2X 800mm CART STOP, 12" X 79"	22-0314-018	1
1.1	PAD, DELRIN, 35mm X 120mm X 2mm	P-1406245	1
1.2	Plate Cover, Curb Side	P-2003301	1
1.3	Cart Stop, 800mm, Curb Side	P-2006698	1
1.4	Plate Cover, Center	P-2003302	1
1.5	Cart Stop, 800mm, Street Side	P-2006697	1
1.6	Plate Cover, Street Side	P-2003303	1
1.7	SOCKET HEAD CAP SCREW, M6-1.0 X 30mm	P-1057441	1
1.8	Sliding Rail	P-1406248	1
1.9	Spring Rod	P-1408661	1
1.10	Clip	P-1406249	1
1.11	SOCKET HEAD CAP SCREW, M5-0.80 X 8mm	P-1119357	1
1.12	C-Clip, Plastic	P-2004637	1
1.13	SOCKET HEAD CAP SCREW, M6-1.0 X 20mm	P-1004726	1

Palfinger Liftgates, LLC.
 15939 Piuma Ave, Cerritos, CA 90703
 Tel: (888) 774-5844, Fax: (562) 924-8318

Palfinger Liftgates, LLC.
 572 Whitehead Road, Trenton, NJ 08619
 Tel: (609) 587-4200, Fax: (609) 587-4201

Built to Deliver - Every Time

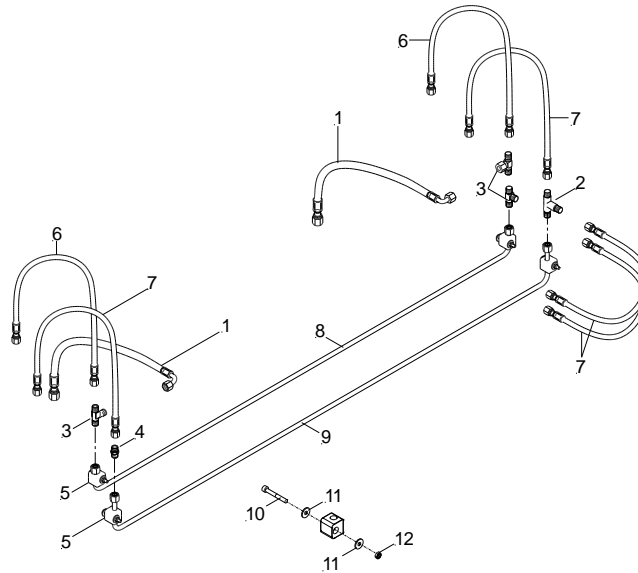
6 Power Pack



6 – POWER PACK			
NO.	DESCRIPTION	PART NO.	QTY.
1	Power Pack, 12V, Complete Assembly	P-2032350	1
2	Motor 12v	P-2024445	1
3	Carbon Brushes	P-2024996	1
4	Gear Pump	P-2024446	1
5	Oil Tank	P-2024447	1
6	Solenoid Valve 12V	P-2008647	1
	Solenoid Valve 12V	50-1118-009	1
7	Shuttle Valve	P-2005141	1
8	Pressure Limitation Valve	P-2005142	1
9	Motor Contactor Relay 12V	P-2005140	1
10	Flow Control Valve	P-1406572	1
11	Filler Cap	P-2024998	1
12	Clamp	P-2024444	1
13	Filter	P-2016993	1
14	Control Block	P-2025001	1
15	Measuring Connection	P-1405397	1
16	Housing, Power Pack	P-2024443	1
17	PC Board Cover, ECO	P-2029906	1
18	O-Ring	P-2009743	1
19	Rear Panel	P-2029245	1
20	Control M-Board, Plus	P-2029091	1
21	Strap, Pcb Cover	P-2010169	1

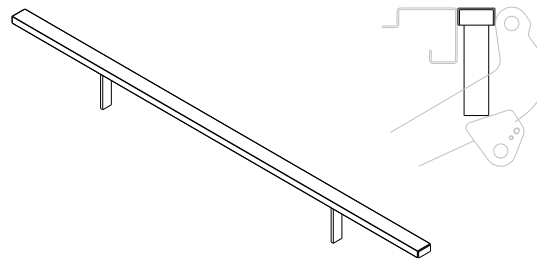
Built to Deliver - Every Time

7 Hydraulic Hoses



7 – HYDRAULIC HOSES			
NO.	DESCRIPTION	PART NO.	QTY.
1	Hydraulic Hose (Length = 600mm [23.6"])	P-2004472	1
2	T-Fitting, T-10L Compression	P-1111084	1
3	T-Fitting	P-1111075	1
4	Adapter, 10L	P-1212700	1
5	Clamp, 1-Steel Line,2-Pc, Plastic, Green	P-1108532	1
6	Hydraulic Hose, Plastic (Length = 850mm [33.5"])	P-70605848	1
7	Hydraulic Hose (Length = 700mm [27.5"])	P-1169517	1
8	Hydraulic Hard Line, Short	2022352	1
9	Hydraulic Hard Line, Long	2022353	1
10	Socket Head Cap Screw, M6x50	ML1058108	1
11	Washer, M6	ML1164825	1
12	Nut, Nylock, M6	ML1000526	1

8 Bridge Kit



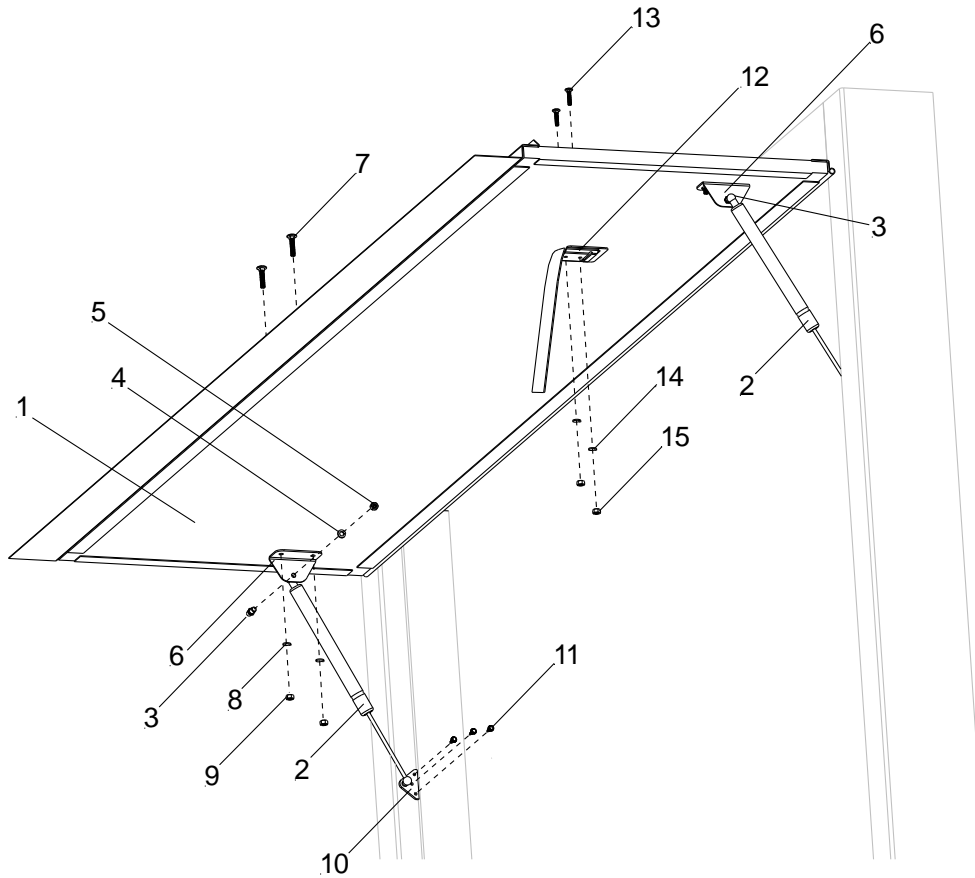
8 – BRIDGE KIT			
NO.	DESCRIPTION	PART NO.	QTY.
1	Kit, Bridge From Sill To Platform, 94"W Vehicle	60-0416-100	1
2	Kit, Bridge From Sill To Platform, 98"W Vehicle	60-0416-110	1

Palfinger Liftgates, LLC.
 15939 Piuma Ave, Cerritos, CA 90703
 Tel: (888) 774-5844, Fax: (562) 924-8318

Palfinger Liftgates, LLC.
 572 Whitehead Road, Trenton, NJ 08619
 Tel: (609) 587-4200, Fax: (609) 587-4201

Built to Deliver - Every Time

9 Flip Up Door Kit



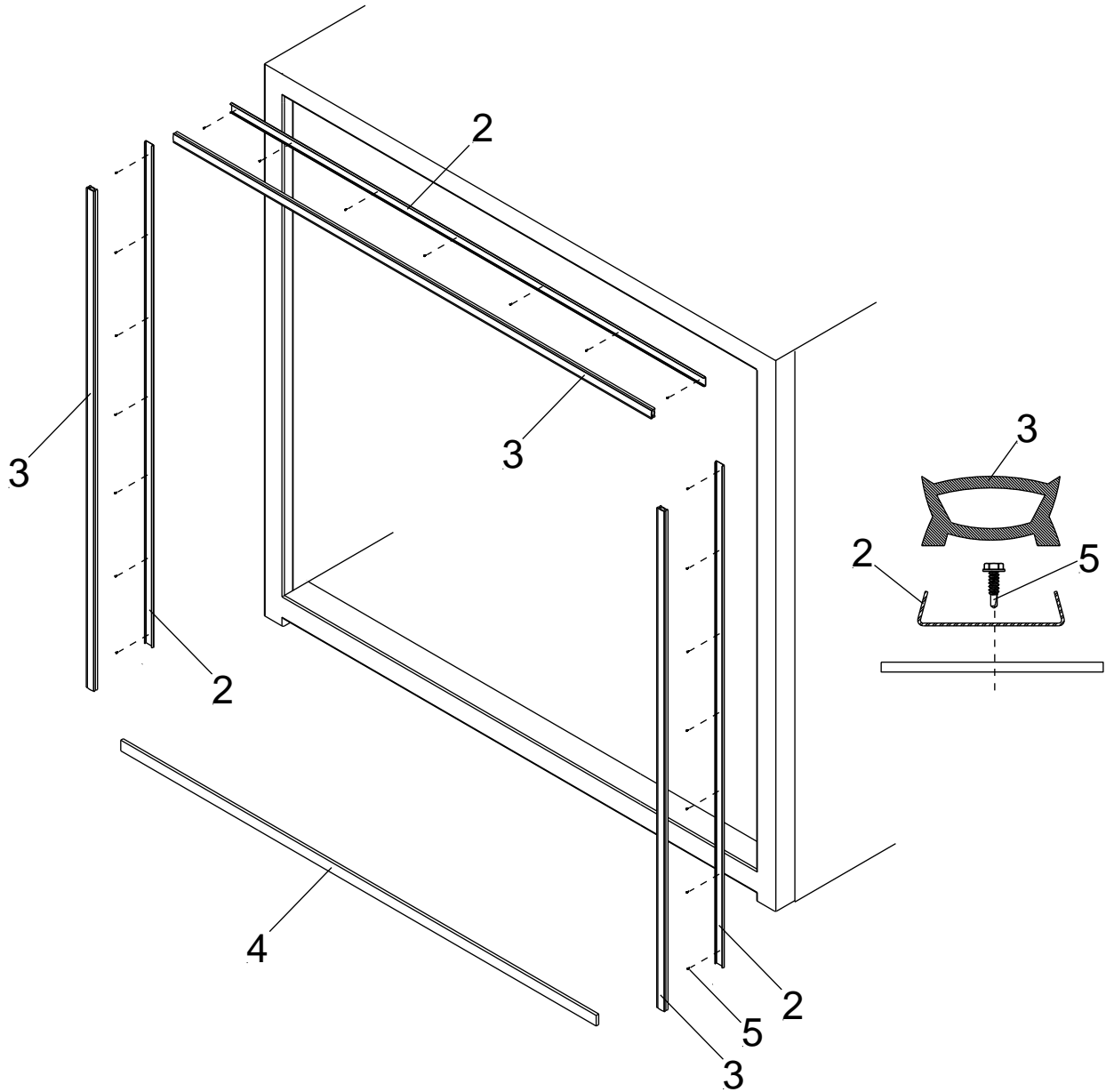
9 – FLIP UP DOOR KITS			
NO.	DESCRIPTION	PART NO.	QTY.
1	Kit, Flip Up Door, With Seal Kit, 94"W	60-7518-021	1
	Kit, Flip Up Door, With Seal Kit, 98"W	60-7518-023	1
2	Gas Cylinder, 60 Lbs	2-00024-60	1
	Gas Cylinder, 90 Lbs	2-00024-90	1
	Gas Cylinder, 120 Lbs	2-00024-120	1
	Gas Cylinder, 150 Lbs	2-00024-150	1
3	Ball Stud, 10mm	60-7518-011	1
4	Washer Lock 5/16"	EK3471	1
5	Nut 5/16"-18	EM 829	1
6	Ball Stud Bracket For Flip Up Door	60-7518-001	1
7	Bolt, Carriage 5/16"-18 X 1.50"	ES3419	1
8	Washer, Lock 5/16"	EK3471	1
9	Nut, 5/16"-18	EM 829	1
10	Ball Stud Bracket For Vehicle	99-7515-100	1
11	Screw, Hex Head, Drilling, #10-16x3/4"	ES3948	1
12	Pull Strap	60-7518-010	1
13	Bolt Carriage 1/4"-20 X 1.50"	ES3947	1
14	Washer Lock 1/4"	EK3630	1
15	Nut 1/4"-20	EM 841	1

Palfinger Liftgates, LLC.
 15939 Piuma Ave, Cerritos, CA 90703
 Tel: (888) 774-5844, Fax: (562) 924-8318

Palfinger Liftgates, LLC.
 572 Whitehead Road, Trenton, NJ 08619
 Tel: (609) 587-4200, Fax: (609) 587-4201

Built to Deliver - Every Time

10 Full Door Seal Kit



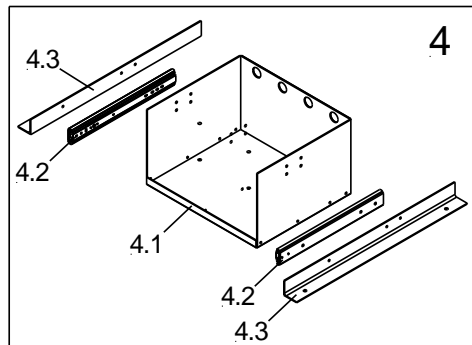
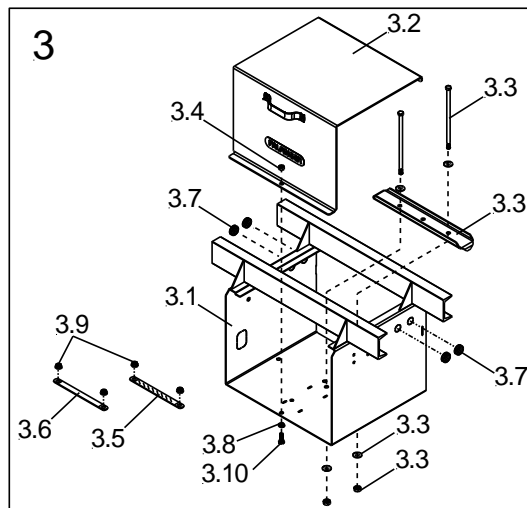
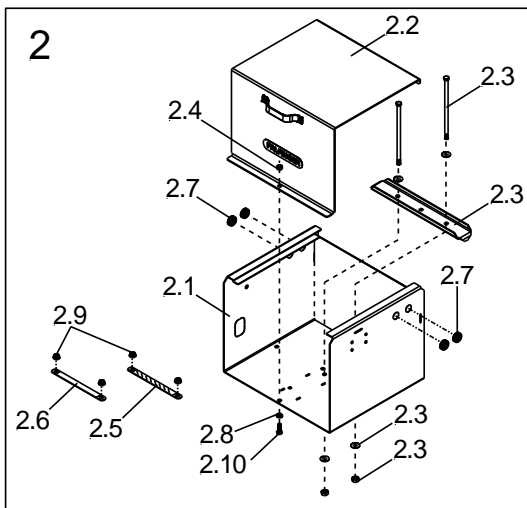
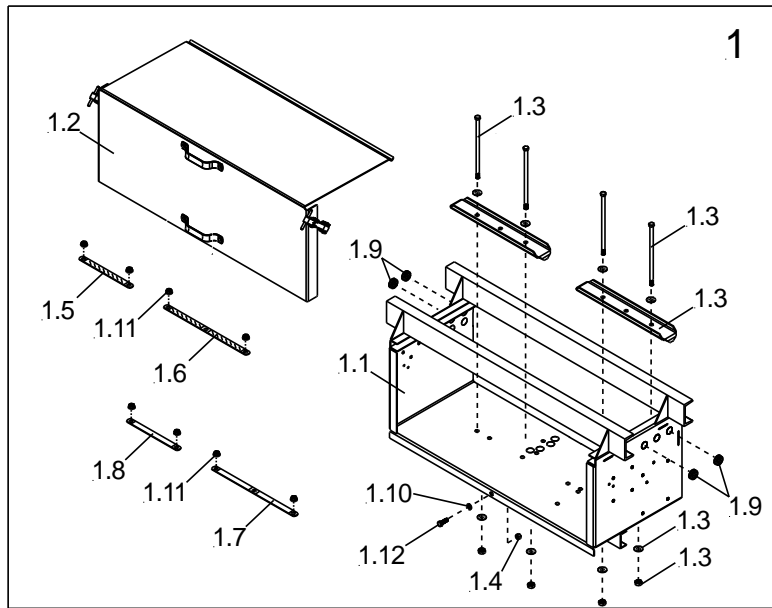
10 - FULL DOOR SEAL KIT			
NO.	DESCRIPTION	PART NO.	QTY.
1	Full Door Seal Kit	60-0416-000	1
2	Holder, Rubber Seal, Galvaneal, 108"L	60-0416-002	1
3	Rubber Seal, 110" L	60-0416-003	1
4	Seal Spacer Bar, 2" X 102" X 1/2"	60-0413-498	1
5	Screw, Hex Head, Drilling, #10-16x3/4"	ES3948	1

Palfinger Liftgates, LLC.
 15939 Piuma Ave, Cerritos, CA 90703
 Tel: (888) 774-5844, Fax: (562) 924-8318

Palfinger Liftgates, LLC.
 572 Whitehead Road, Trenton, NJ 08619
 Tel: (609) 587-4200, Fax: (609) 587-4201

Built to Deliver - Every Time

11 Battery Box Kits



Palfinger Liftgates, LLC.
15939 Piuma Ave, Cerritos, CA 90703
Tel: (888) 774-5844, Fax: (562) 924-8318

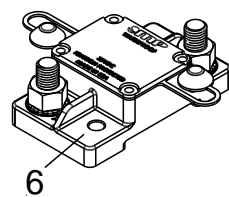
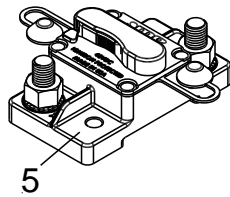
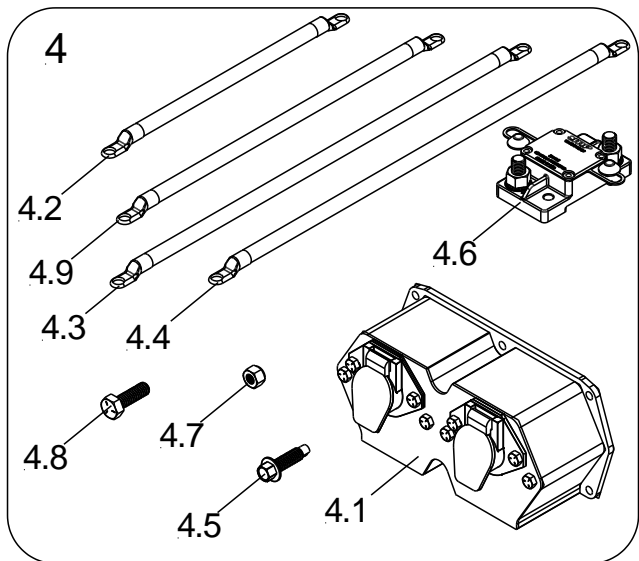
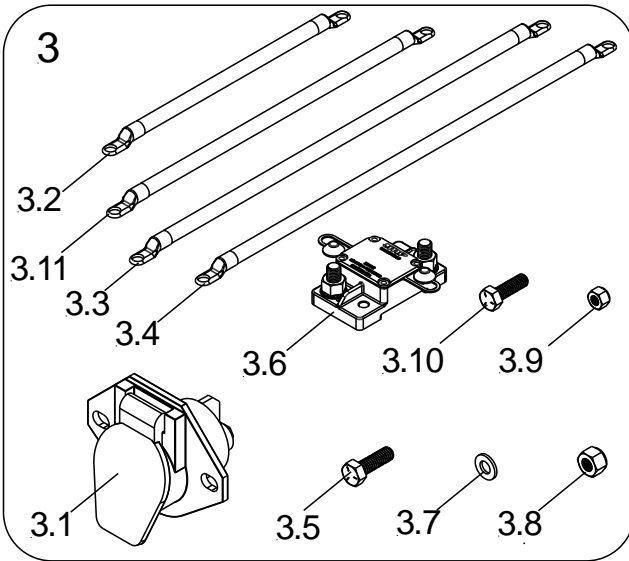
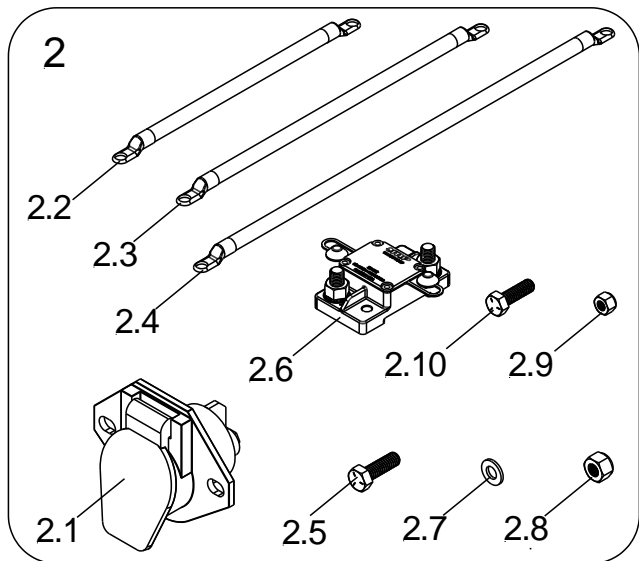
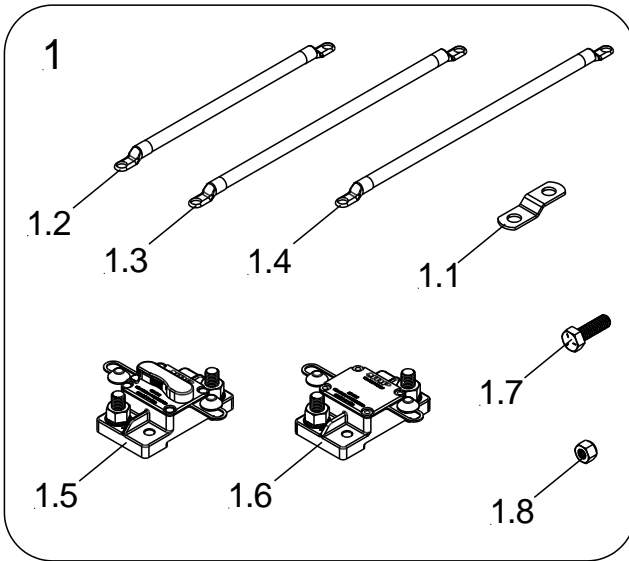
Palfinger Liftgates, LLC.
572 Whitehead Road, Trenton, NJ 08619
Tel: (609) 587-4200, Fax: (609) 587-4201

Built to Deliver - Every Time

11 – Battery Box Kits			
No.	Description	Part No.	Qty.
1	Battery Box Kit, 4-Battery	50-8016-100	1
1.1	Battery Box Base, Assembly, Large	50-8016-001	1
1.2	Battery Box Lid Assembly	60-7515-012	1
1.3	Kit, 2-Battery Hold Down	60-7515-151	2
1.4	Nut, 3/8"-16, Gr.5	EM 532	1
1.5	Bus Bar, 2-Battery, Black	KET05916A	1
1.6	Bus Bar, 3-Battery, Black	KET05961A	1
1.7	Bus Bar, 3-Battery, Red	KET05962A	1
1.8	Bus Bar, 2-Battery, Red	KET06062A	1
1.9	Grommet, 7/8" Diameter Hole	EK3504	1
1.10	Washer, Split Lock, 3/8"	EK3238	1
1.11	Nut, Serrated, 3/8"-16; Stainless Steel	EM 781	1
1.12	Hex Head Cap Screw, 3/8"-16x1", Gr. 5, Zinc	ES3446	1
2	Battery Box Kit, 2-Battery	50-8016-200	1
2.1	Battery Box, Base, Assembly, 2-Battery	50-8016-201	1
2.2	Lid Assy., Alum	60-7517-018	1
2.3	2-Battery Hold Down Kit	60-7515-151	1
2.4	Nut, 3/8"-16, Gr. 5	EM 532	1
2.5	Bus Bar, 2-Battery, Black	KET05916A	1
2.6	Bus Bar, 2-Battery, Red	KET06062A	1
2.7	Grommet, 7/8" Diameter Hole	EK3504	4
2.8	Washer, Split Lock, 3/8"	EK3238	1
2.9	Nut, Serrated, 3/8"-16, Stainless Steel	EM 781	4
2.10	Hex Head Cap Screw, 3/8"-16x1", Gr.5, Zinc	ES3446	1
3	Battery Box Kit, 2-Battery, w/Channels	60-7517-022	1
3.1	Battery Box, Base, Assembly, 2-Battery, w/Channels	60-7517-020	1
3.2	Lid Assy., Alum	60-7517-018	1
3.3	2-Battery Hold Down Kit	60-7515-151	1
3.4	Nut, 3/8"-16, Gr. 5	EM 532	1
3.5	Bus Bar, 2-Battery, Black	KET05916A	1
3.6	Bus Bar, 2-Battery, Red	KET06062A	1
3.7	Grommet, 7/8" Diameter Hole	EK3504	4
3.8	Washer, Split Lock, 3/8"	EK3238	1
3.9	Nut, Serrated, 3/8"-16, Stainless Steel	EM 781	4
3.10	Hex Head Cap Screw, 3/8"-16x1", Gr.5, Zinc	ES3446	1
4	2-Battery Box Kit, Slide Out Tray	2-000051A	1
4.1	Battery Box Base	2-00060	1
4.2	Slide, Steel, 16"	2-10400	1
4.3	Angle, 2"x2"X26.5"X1/8", Steel	50-8017-003	1
5	Battery, Lead/Acid, Group 31	3-49999	1
6	Battery, AGM, Standard, Group 31	3-49998	1
7	Battery, AGM, Premium, Group 31	3-50003	1

Built to Deliver - Every Time

12 Trailer/Truck Charge Kits

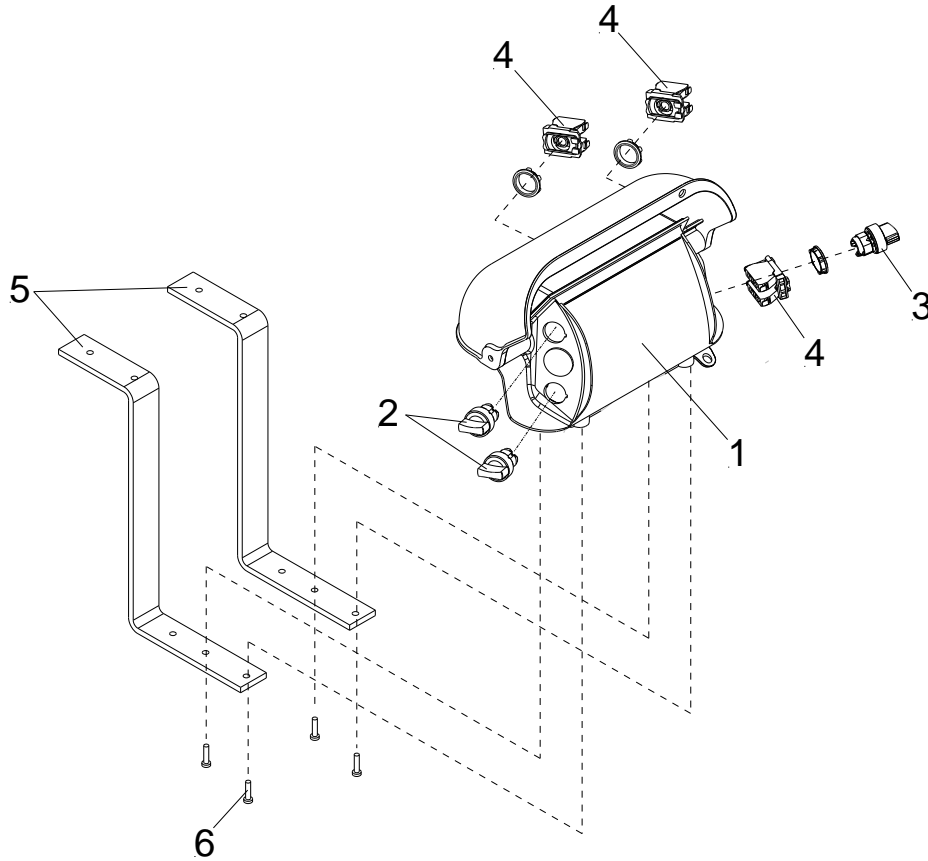


Built to Deliver - Every Time

12- TRAILER/TRUCK CHARGE KITS			
NO.	DESCRIPTION	PART NO.	QTY.
1	Kit, Truck, 40ft Electrical	70-1115-100	1
1.1	Bus Bar	70-8013-025	1
1.2	Cable, 2GA, 18", 3/8" Lugs, Red	KET05919A	1
1.3	Cable, 2GA, 74", 3/8" Lugs, Black	KET05925A	1
1.4	Cable, 2GA, 480", 3/8" Lugs, Red	KET06314A	1
1.5	Circuit Breaker, 175A, 3/8" Studs, Manual Reset	70-8114-009	1
1.6	Circuit Breaker 175A, 3/8" Studs, Auto Reset	70-8114-008	1
1.7	Hex Head Cap Screw, 1/4-20x1.0", Gr.5, Zinc	ES3443	1
1.8	Nut, Nylock 1/4-20, Zinc	EM 722	1
2	Kit, Trailer, Single Pole	70-1115-101	1
2.1	Socket, Single Pole	70-8015-019	1
2.2	Cable, 2GA, 18", 3/8" Lugs, Red	KET05919A	1
2.3	Cable, 2GA, 74", 3/8" Lugs, Black	KET05925A	1
2.4	Cable, 2GA, 480", 3/8" Lugs, Red	KET06314A	1
2.5	Hex Head Cap Screw, 5/16-18x1"	ES3724	1
2.6	Circuit Breaker, 175A, 3/8" Studs, Auto Reset	70-8114-008	1
2.7	Washer, Flat, 5/16"	EK3217	1
2.8	Nylock, 5/16-18	EM 710	1
2.9	Nut, Nylock, 1/4-20, Zinc	EM 722	1
2.10	Hex Head Cap Screw, 1/4-20x1.0", Gr.5, Zinc	ES3443	1
3	Kit, Trailer, Dual Pole	70-1115-102	1
3.1	Socket, Dual Pole	70-8015-018	1
3.2	Cable, 2ga, 18", 3/8" Lugs, Red	KET05919A	1
3.3	Cable, 2ga, 480", 3/8" Lugs, Black	KET05701A	1
3.4	Cable, 2ga; 480", 3/8" Lugs, Red	KET06314A	1
3.5	Hex Head Cap Screw, 5/16-18x1"	ES3724	1
3.6	Circuit Breaker 175A, 3/8" Studs, Auto Reset	70-8114-008	1
3.7	Washer, Flat, 5/16"	EK3217	1
3.8	Nylock, 5/16-18	EM 710	1
3.9	Nut, Nylock, 1/4-20 Zinc	EM 722	1
3.10	Hex Head Cap Screw, 1/4-20x1.0", Gr.5, Zinc	ES3443	1
4	Kit, Trailer, Dual Nosebox	70-1115-103	1
4.1	Nosebox, Single & Dual Pole Socket	70-8015-020	1
4.2	Cable, 2GA, 18", 3/8" Lugs, Red	KET05919A	1
4.3	Cable, 2GA, 480", 3/8" Lugs, Black	KET05701A	1
4.4	Cable, 2GA; 480", 3/8" Lugs, Red	KET06314A	1
4.5	Hex Head Cap Screw, Tapping, 5/16-18x1.25"	ES3733	1
4.6	Circuit Breaker 175A, 3/8" Studs, Auto Reset	70-8114-008	1
4.7	Nut, Nylock 1/4-20, Zinc	EM 722	1
4.8	Hex Head Cap Screw, 1/4-20x1.0", Gr.5, Zinc	ES3443	1
5	Circuit Breaker 175A, 1/4" Studs, Manual Reset	70-8115-000	1
6	Circuit Breaker 175A, 1/4" Studs, Auto Reset	70-8115-001	1

Built to Deliver - Every Time

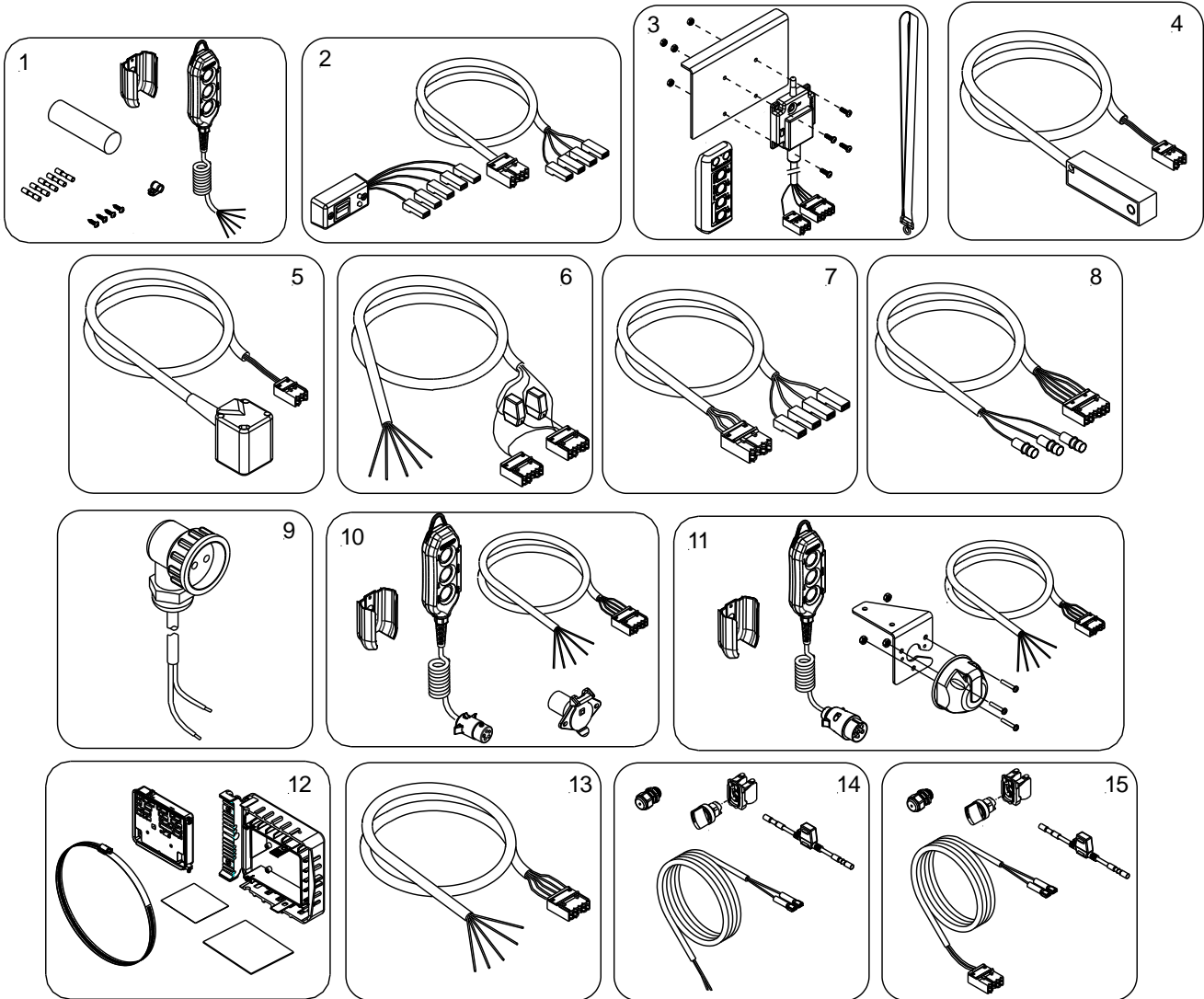
13 Control Box System



13 – CONTROL BOX SYSTEM			
NO.	DESCRIPTION	PART NO.	QTY.
1	Kit, Control Box With Wire Harness	P-2007286	1
2	Switch, Momentary	P-2007456	1
3	Switch, On/Off (Optional)	P-2009186	1
4	Contact Block	P-2007457	1
5	Control Box Mount, Z-Bracket	P-1311508	2
6	Screw, Thread Forming, M6x20	P-2006087	4

Built to Deliver - Every Time

14 Controls

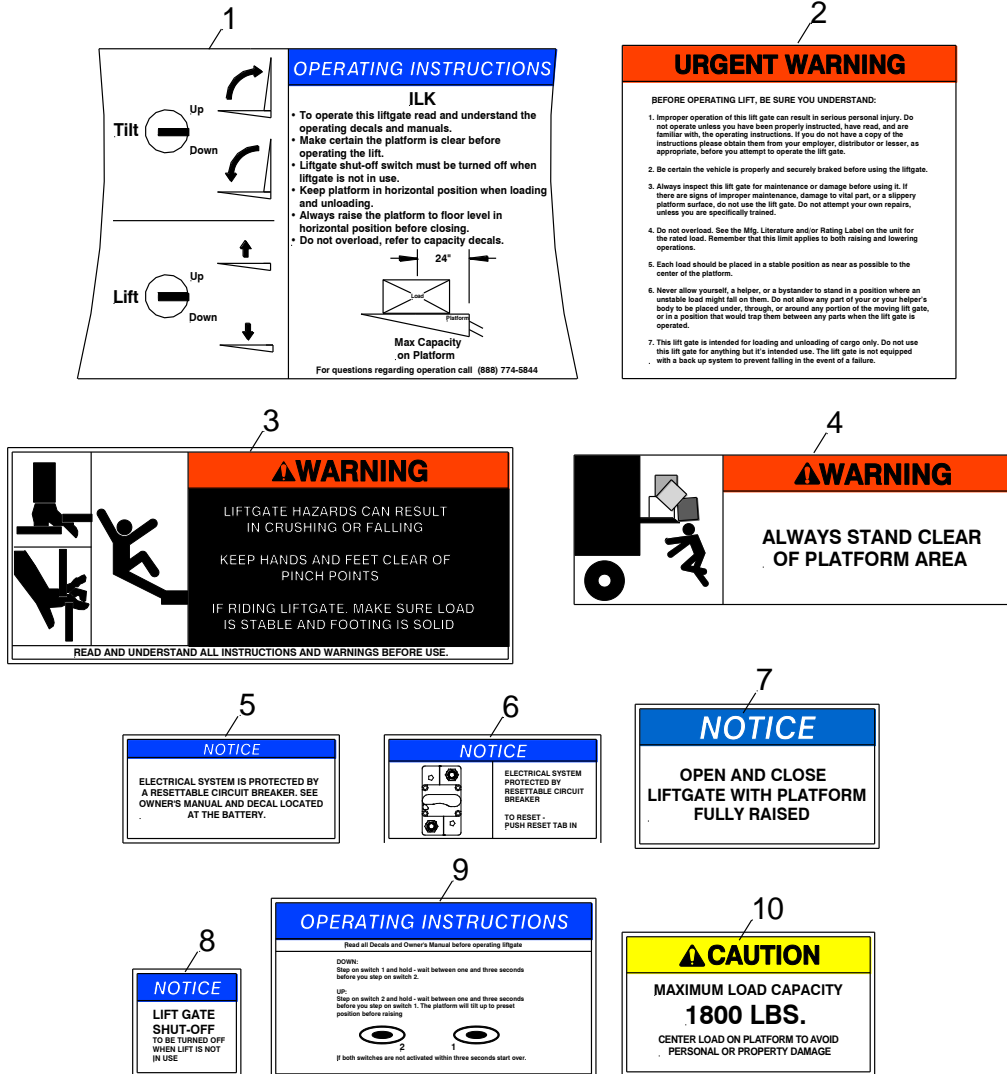


Built to Deliver - Every Time

14 - CONTROLS			
NO.	DESCRIPTION	PART NO.	QTY.
1	3-Button Hand Remote And Holster Kit	2049125	1
1.1	Remote Holster	2050008	1
2	Kit, Cab Shut Off Switch	70-1113-200	1
3	Kit, Wireless Remote, 4-Way Operation	70-1115-000	1
4	Sensor, B13, J41	P-1332476	1
5	Sensor, B15, J41	P-1332485	1
6	Wire Harness, PC Board, J1	P-2007406	1
7	Harness, Cab On/Off Switch, J11, 49 Ft. [15000mm]	P-2007049	1
8	Harness, Warning LED Lights, Foot Control, J3, 12.7 ft [3900mm]	P-1342776	1
9	Harness, Solenoid Valve, J4	P-67254198	1
10	Kit, Hand Control, Plug And Socket, Wire Harness, 5-Way	70-7516-110	1
11	Kit, Hand Control, Plug And Socket, Wire Harness, 7-Way	70-7516-108	1
12	Kit, Control M.-Board (PCB), Plus	ML75-0421-010	1
13	Harness, Remote Control, J31, 16 Ft [5000mm]	P-2008922	1
14	Warning Lights ON/OFF Kit	70-0417-000	1
15	Liftgate Shut-OFF Switch Kit (For Trailers)	ML70-0420-080	1

Built to Deliver - Every Time

15 Decals



15 - DECALS			
NO.	DESCRIPTION	PART NO.	QTY.
1	Operating Instructions	ATG-ILK	1
2	Urgent Warning Decal	ATG-URGWA	1
3	Warning- Liftgate Hazards	ATG-WLH	1
4	Warning- Stand Clear	ATG-PLAT	1
5	Electrical System	ATG-RESET	1
6	Circuit Breaker, Blue	ATG-BKR	1
7	Notice For Open And Close	ATG-OPENILD	1
8	Liftgate Shut Off Switch	ATG-CAB	1
9	Foot Control	ATG-FC	1
10	Liftgate Capacity	ATG-1800	1

Palfinger Liftgates, LLC.
 15939 Piuma Ave, Cerritos, CA 90703
 Tel: (888) 774-5844, Fax: (562) 924-8318

Palfinger Liftgates, LLC.
 572 Whitehead Road, Trenton, NJ 08619
 Tel: (609) 587-4200, Fax: (609) 587-4201

Built to Deliver - Every Time



Palfinger Liftgates, LLC.
15939 Piuma Ave, Cerritos, CA 90703
Tel: (888) 774-5844, Fax: (562) 924-8318

Palfinger Liftgates, LLC.
572 Whitehead Road, Trenton, NJ 08619
Tel: (609) 587-4200, Fax: (609) 587-4201