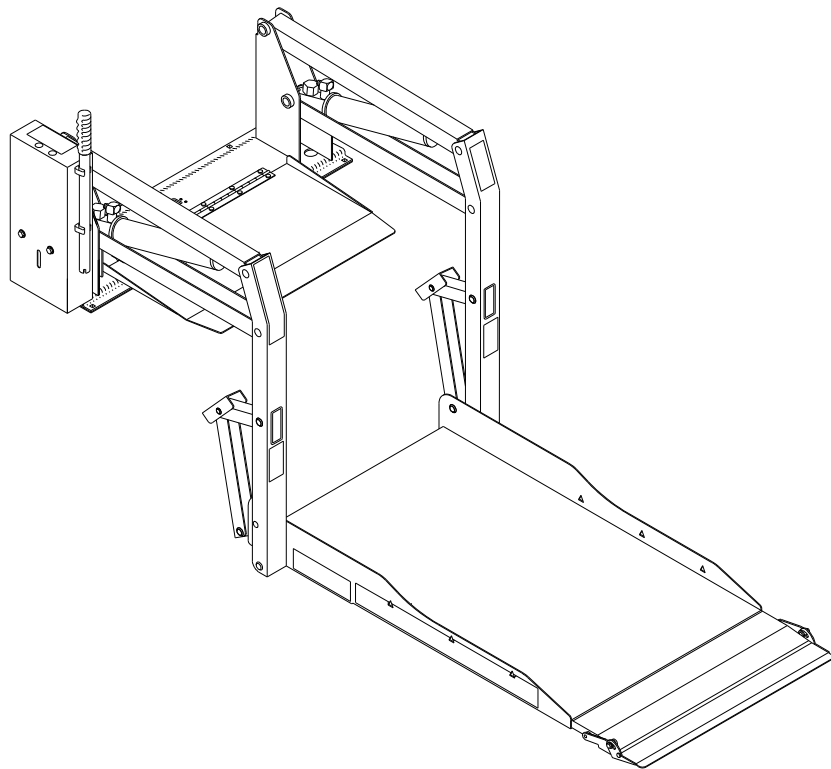




LIFTGATES

PARTS MANUAL

CITYFIX, 1100 lbs. Capacity



CITYFIX 1100 Parts Manual
Document Part Number: 90-1521-003 / 21-692_90-00_00-03
ECN-M1598, Rev. 1.1, 09-16-21
Copyright © 2021 Palfinger Liftgates LLC.
All Rights Reserved.

Information in this document is subject to change without notice.
Visit www.palfinger.com for up to date information and notifications.

Technical Support
technicalservice@palfinger.com

Parts Order/Inquiries
liftgateparts@palfinger.com



LIFTGATES

15939 Piuma Ave.
Cerritos, CA 90703
Tel (888) 774-5844
Fax (562) 924-8318



LIFTGATES

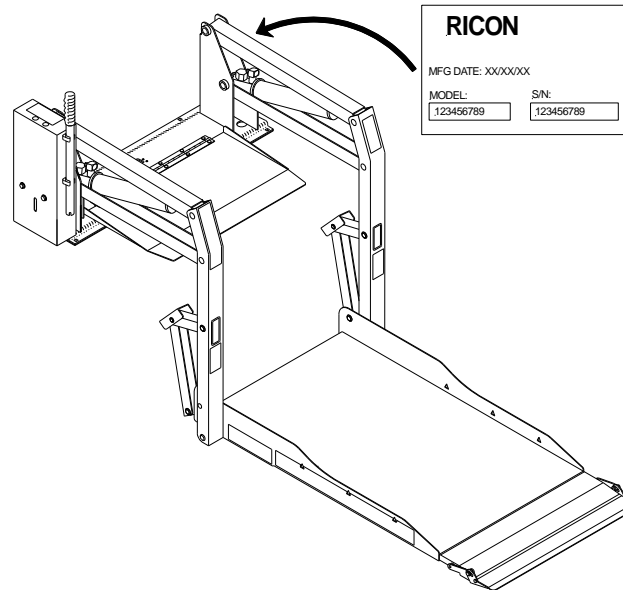
572 Whitehead Road.
Trenton, NJ 08619
Tel (609) 587-4200
Fax (609) 587-4201

Parts Orders:

- There is a \$50.00 minimum parts order.
- Ground freight is free for spare parts orders exceeding \$1,500.00, excluding platforms, runners, mount frames and other main assemblies.
- Contact parts department, our hours are from 8 am EST in NJ until 5 pm PST in CA
- California: (888) 774-5844, or (562)924-8218, ext. 97, 29 , or 15; Fax: (562) 924-8318.
New Jersey: at (609) 587-4200; Fax: (609) 587-4201.
E-mail orders or inquires for both locations to: liftgateparts@palfinger.com
- Next Day Air shipments must be received by 2:30 pm local time at either location.
- To ensure quick delivery when placing an order, please be sure to include: liftgate model, serial number, part number, and description in accordance with spare Parts List.
- Any parts being returned must have Return Merchandise Authorization (RMA) number, copy of invoice and a detailed packing list of returned parts. RMA numbers will be issued by parts department and are valid for 30 days. All returned RMA parts must be returned to Palfinger Liftgates by prepaid freight or by call tag.
- Parts must be returned in NEW CONDITION. To receive credit on returned parts, the original purchase date must be within 6 month and authorized by Palfinger Liftgates.
- Returned parts are subject to a 20% restocking charge.
- Any part received not in new condition will be subject to inspection and possible refusal. All Palfinger Liftgates parts are covered for one year from date of purchase against defects in material and workmanship.
- **Warranty Coverage: part replacement only.**

Important Liftgate Information:

1. Liftgate serial information can be found on the right side of the liftgate frame. Please have the liftgate information ready when ordering parts to assure parts are replaced accurately.

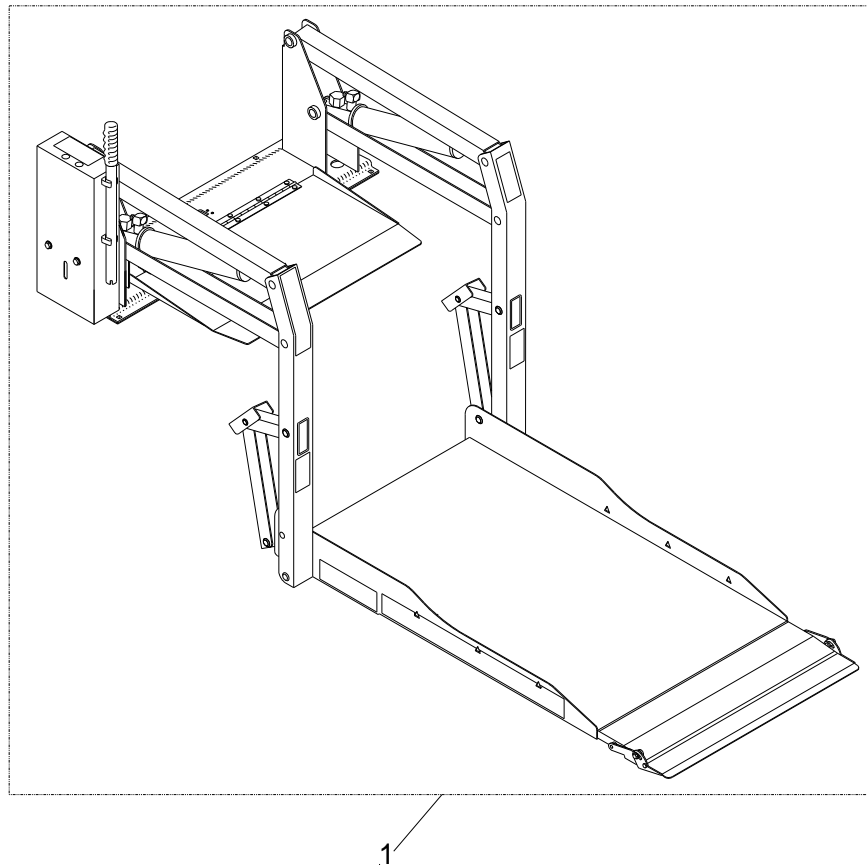


2. The finish for many parts differs from liftgate to liftgate. It is important to specify what type of finish the replacement part(s) has. Palfinger Liftgates uses galvanized, galvanealed, powder coat, paint, and zinc coated components on the different models of liftgates. If not sure what finish is on the part(s), mention this to the Parts Department Representative.

Table of Contents

1 **Liftgate 6**
2 **Hydraulic Power Unit..... 8**
3 **Hydraulic Box 10**
4 **Electrical 12**
5 **Pendant Kit (Control Switch) 14**
6 **Platform..... 16**
7 **Frame - Base..... 18**
8 **Mounting Kit for Nissan Vans..... 19**
9 **Frame - Arms 20**
10 **Decals..... 22**

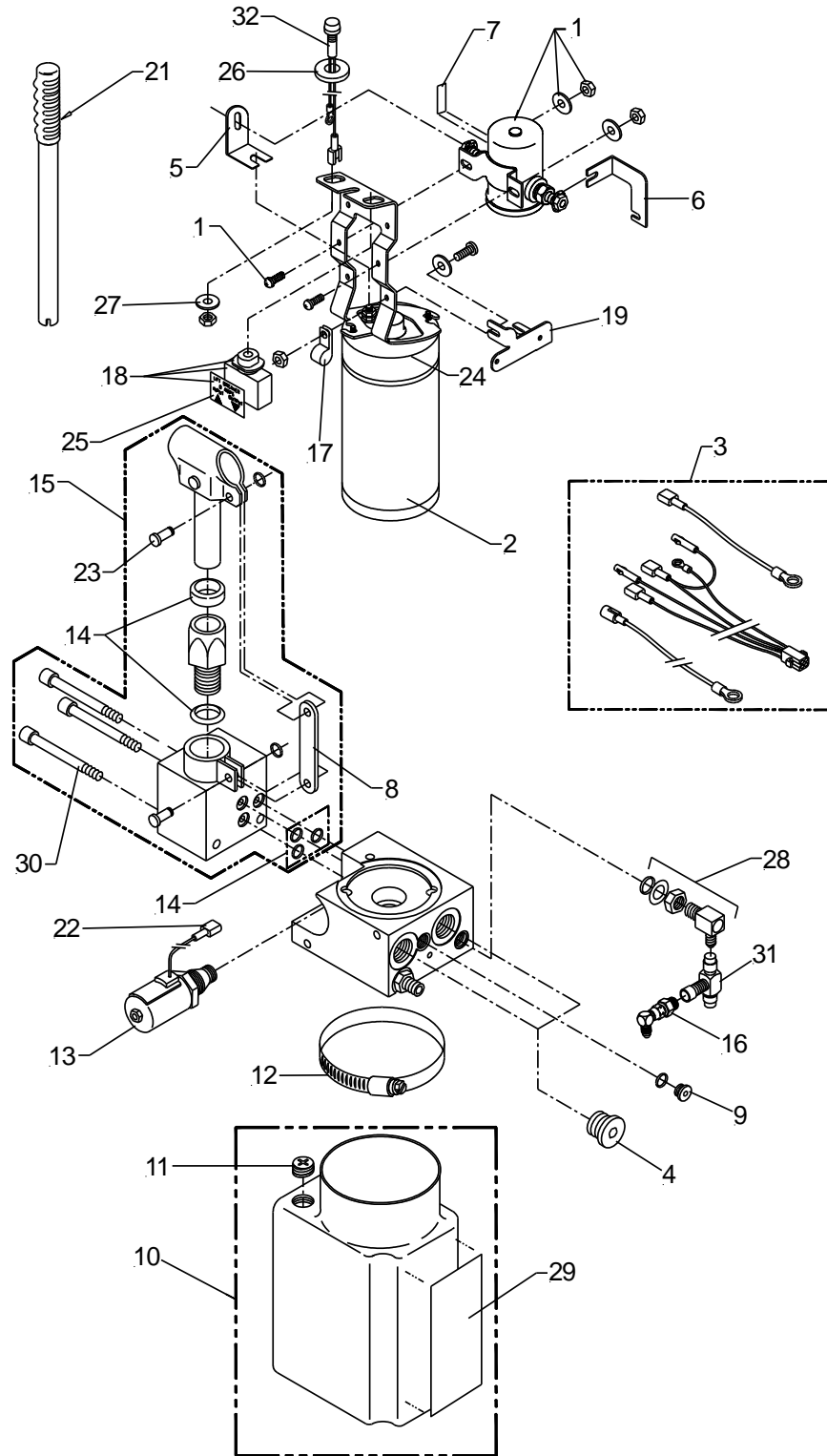
1 Liftgate



1 – LIFTGATE			
NO.	DESCRIPTION	PART NO.	QTY.
1	Liftgate, Cityfix, 1100 lbs., 34" W x 47" H	4C5052-S000	1
	Liftgate, Cityfix, 1100 lbs., 34" W x 59" H	4C5055-S000	1

NOTES

2 Hydraulic Power Unit

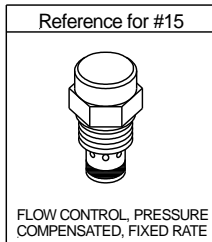
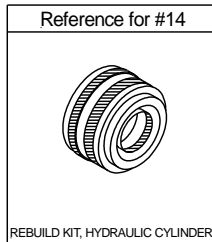
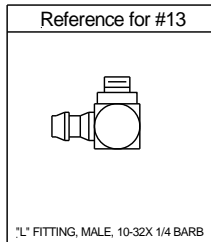
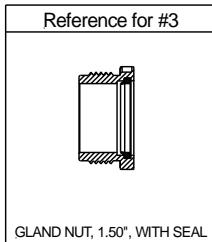
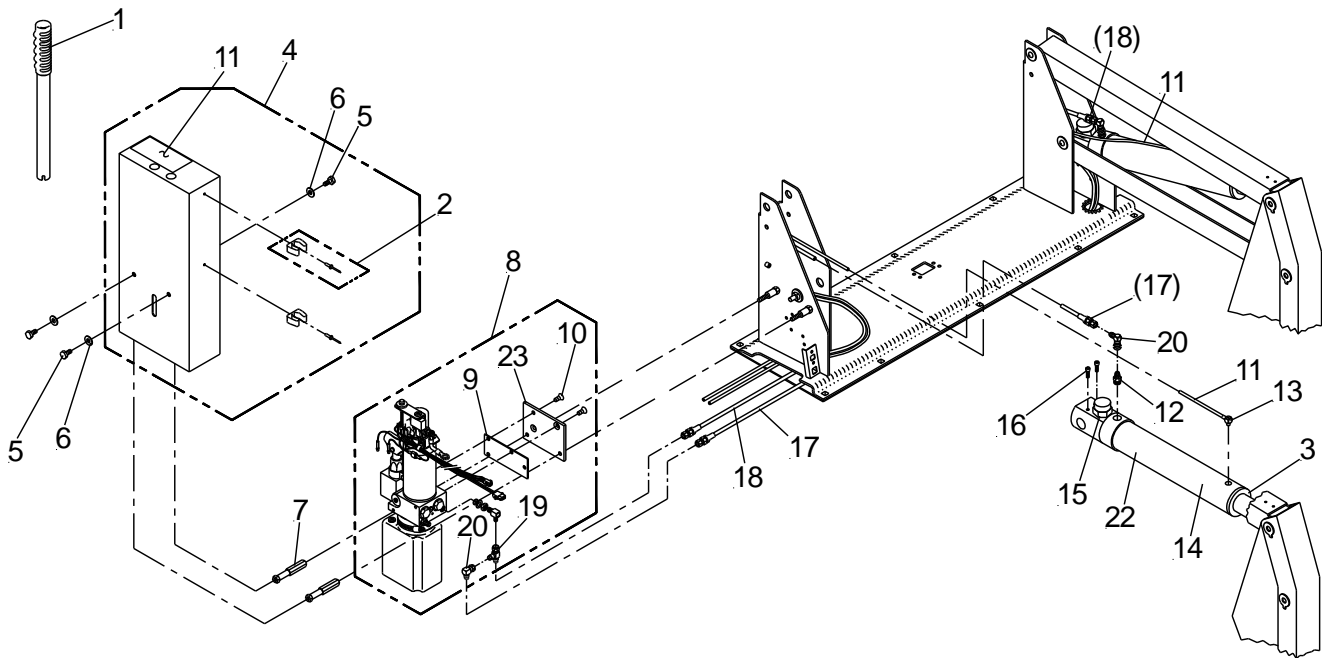


Palfinger Liftgates, LLC.
15939 Piuma Ave, Cerritos, CA 90703
Tel: (888) 774-5844, Fax: (562) 924-8318

Palfinger Liftgates, LLC.
572 Whitehead Road, Trenton, NJ 08619
Tel: (609) 587-4200, Fax: (609) 587-4201

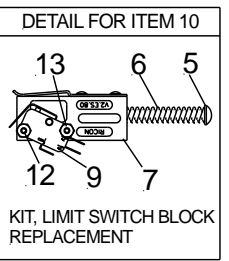
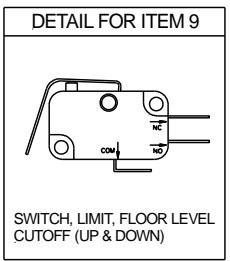
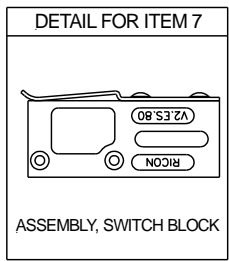
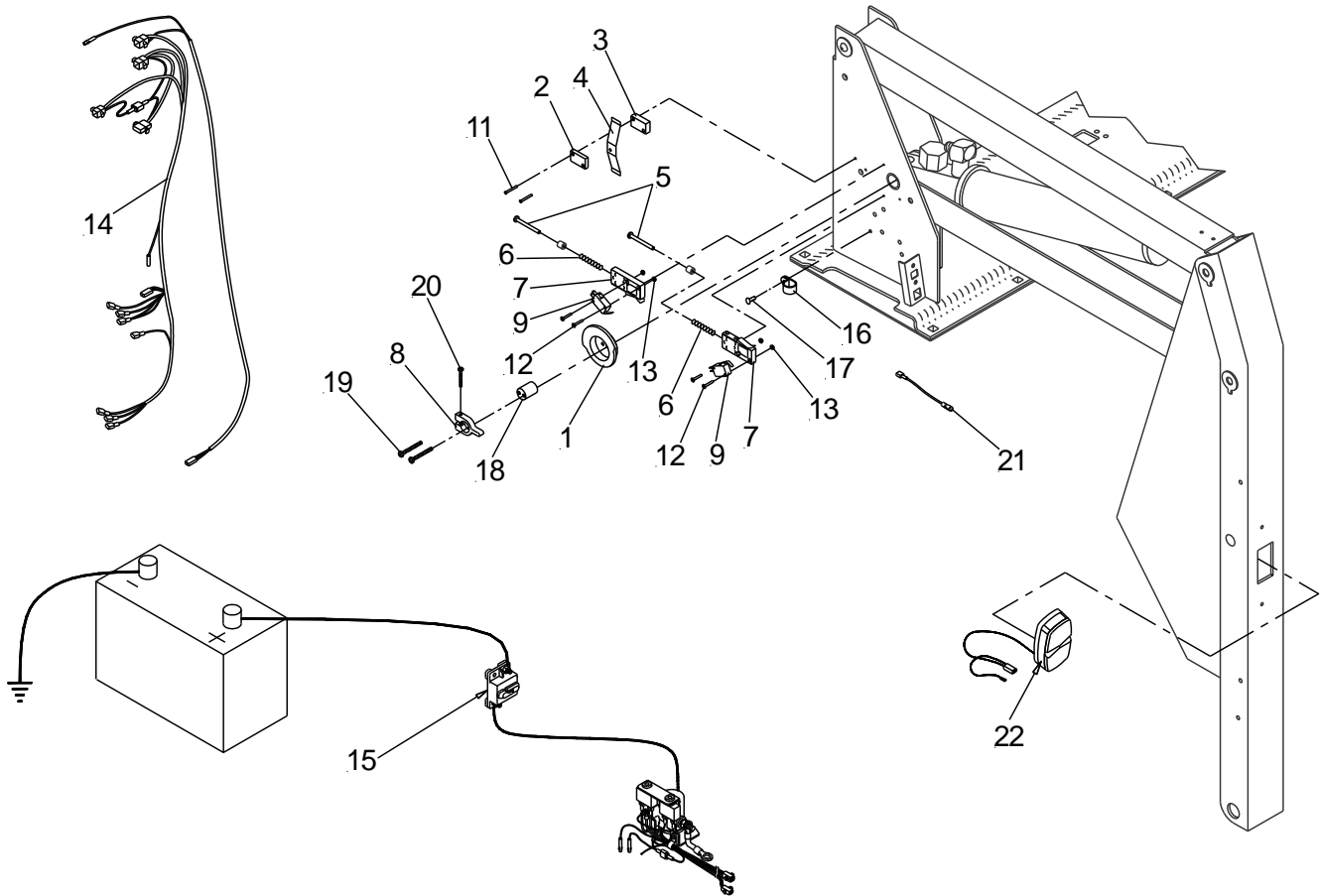
2 – HYDRAULIC POWER UNIT			
NO.	DESCRIPTION	PART NO.	QTY.
1	Kit, Solenoid, Spst, 12V, w/Hardware	MLR-29297	1
2	Motor Assy 12V Bucher Slot	MLR-14345	1
3	Harness, Pump	MLR-V2-ES-150	1
4	Plug, 3/4-16, w/ O-Ring	MLR-V2-SH-001	2
5	Bus Bar, Iskra Motor	MLR-10807	1
6	Bus Bar, Solenoid, Iskra Motor	MLR-19042	1
7	Decal, Solenoid, Spst, "Motor"	MLR-26296	1
8	Link, Manual Pump	MLR-V2-SH-149	1
9	Plug, W/O-Ring	MLR-V2-SH-182	1
10	Reservoir Assy, Hydraulic Fluid, Plastic	MLR-30398	1
11	Plug, Breather, Reservoir	MLR-33688	1
12	Clamp, Reservoir	MLR-V2-SH-109	1
13	Hydraulic Down Valve Assy, 12V	MLR-V2-SH-105	1
14	Seal Kit, Manual Back-Up Pump	MLR-V2-SH-220	1
15	Back-Up Pump Assembly, ManualR-	MLR-V2-SH-210	1
16	Fitting Assy, SNL, 1/4J X 1/4J, Steel	MLR-VS-SH-06	1
17	Cable Clamp, 3/16", Nylon	MLR-19798	1
18	Circuit Breaker Assembly, 8 Amp, w/Hardware & Decal	MLR-V2-SH-005	1
19	Bracket, Solenoid	MLR-19036	1
20	Bracket, Solenoid, Iskra	MLR-10507	1
21	Handle, Manual Back-Up Pump	MLR-V2-SH-111	1
22	Terminal, Crimp, 22-18	MLR-29388	1
23	Pin & Retaining Ring	MLR-V2-SH-017	2
24	Kit, Pump Motor Brush Set (Located Inside Motor)	MLR-14334	1
25	Decal, 8 Amp Circuit Breaker	MLR-18797	1
26	Adapter, .625 D-Hole To .484 Round	MLR-V2-ES-059	1
27	Washer, Flat, .406 X .812" X .065"	MLR-17510	1
28	"L" Fitting, 1/4 SAE X 1/4 JIC, w/O-Ring Boss	MLR-V2-SH-011	1
29	Decal, Oil Level Warning	MLR-32-10-154	1
30	Screw, Hex Recess, 1/4-20 X 2.25"	MLR-32407	1
31	Fitting, Srt, 1/4J, Steel	MLR-V2-SH-012	1
32	Light, Lift Armed Indicator, 12V	MLR-UL-ES-034	1

3 Hydraulic Box



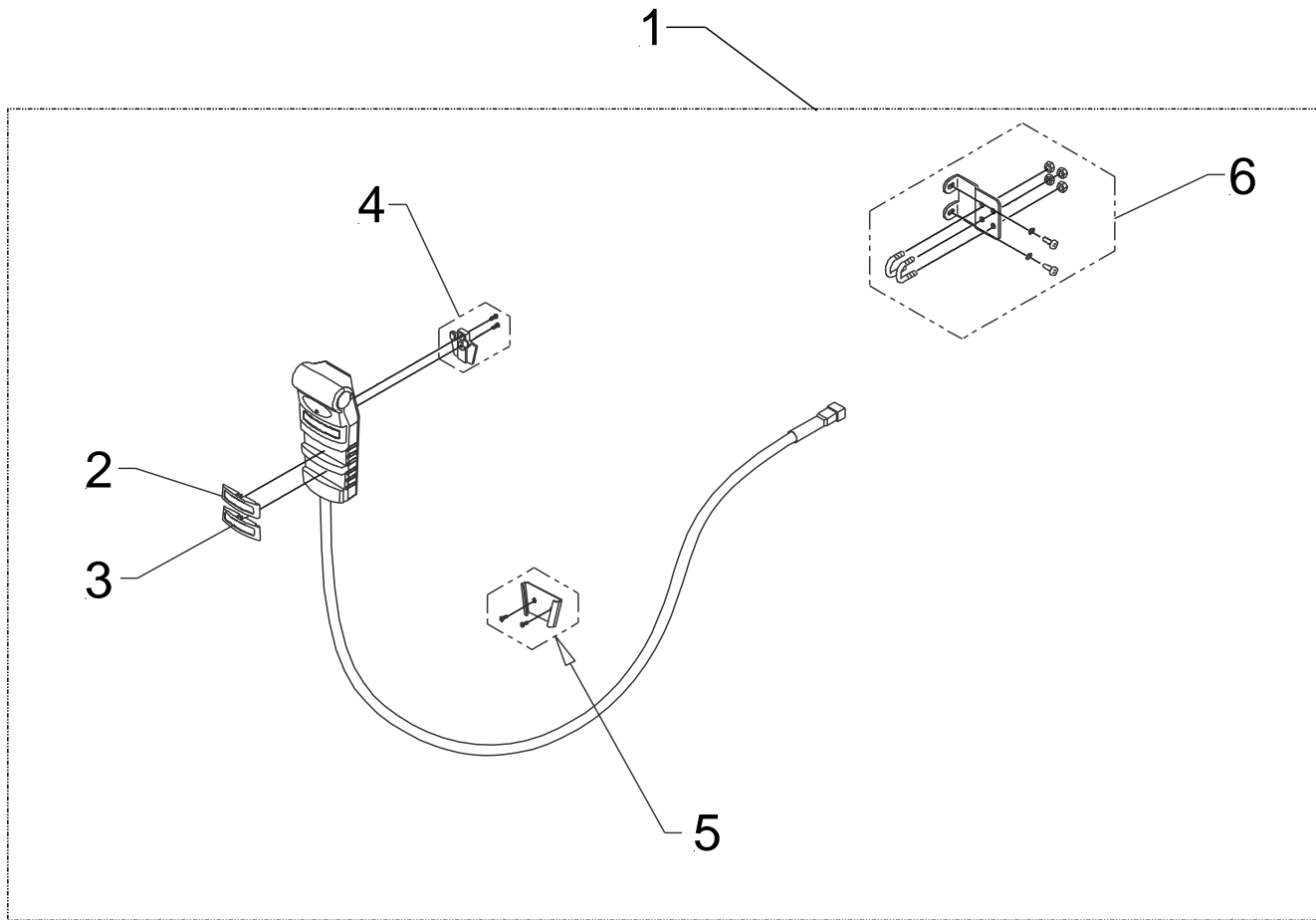
3 – HYDRAULIC BOX			
NO.	DESCRIPTION	PART NO.	QTY.
1	Handle, Manual Backup Pump	MLR-V2-SH-111	1
2	Kit, Tool Clip, w/Hardware	MLR-19557	2
3	Gland Nut And Seal	MLR-13009	2
4	Cover Assembly, Pump, LH	MLR-30284	1
5	Screw, Hex, 5/16-18 X 0.625"	MLR-14495	1
6	Washer, Flat, 5/16", SAE	MLR-13350	1
7	Hex Rod, Pump Standoff	MLR-V2-CV-015	2
8	Hydraulic Pump Assembly, 12v, W-Top Solenoid, 2kpsi	R-30275	1
9	Plate, Pump Cover Mounting	MLR-V2-AC-70	1
10	Screw, Flat Head, 5/16-18 X 3/4"	MLR-14499	1
11	Tube, Polyurethane, 6mm X 4mm, Black 9'	MLR-22-02-230	9FT
12	Adaptor, #6 SAE Male X #4 JIC Male	MLR-26591	2
13	Fitting, "L", Male 10-32 X 1/4 Barb	MLR-V2-SH-16	2
14	Kit, Cylinder Repair, W-Piston Assy, Gland Nut And Seal	MLR-V2-SH-56	2
15	Kit, Flow Control, Pressure Comp, Fixed Rate (Kit Of 2)	MLR-30968	1
16	Screw, Hex Recess, 1/4-20 X	MLR-14491	1
17	Hose Assy, 61" X 1/4 JIC X 1/4 JIC	MLR-V2-SH-009	1
18	Hose Assy, 26" X 1/4 JIC X 1/4 JIC	MLR-V2-SH-008	1
19	Fitting, Run Tee, 1/4 JIC M-M-F	MLR-V2-SH-012	1
20	Fitting, "L", 1/4 JIC M-F Swivel	MLR-VS-SH-06	3
22	Hydraulic Cylinder Assy	MLR-V5-SH-105	2
23	Plate, Pump Mounting	MLR-V2-AC-71	1
24	Rebuilt Kit, Incl. Piston/Glan	MLR-21829	1

4 Electrical



4 – ELECTRICAL			
NO.	DESCRIPTION	PART NO.	QTY.
1	Cam, Lift Control	MLR-V2-AC-107	1
2	Block, Fold Cutoff Switch Offset, 1/4" Thick	MLR-V2-ES-78	1
3	Block, Fold Cutoff Switch Offset, 3/8" Thick	MLR-V2-ES-79	1
4	Spring, Retaining, Upper/Lower Switch Block	MLR-V2-ES-95	1
5	Spring, Retaining, Upper/Lower Switch Block	MLR-14497	1
6	Spring, Compression, 0.30" OD X 2.06"L	MLR-V2-ES-93	2
7	Switch Block Assy, (Upper & Lower)	MLR-V2-ES-82	2
8	Actuator, Fold Cutoff	MLR-V2-AC-089	1
9	Switch, Limit, Floor Level Power Cutoff (Up & Down)	MLR-V2-ES-110	2
10	Kit, Limit Switch Block Replacement	MLR-V2-ES-61	2
11	Screw, 4-40 X 1.25" Pan Head	MLR-15908	1
12	Screw, 4-40 X 0.75" Pan Head	MLR-15909	1
13	Nut, Hex, 4-40	MLR-15903	1
14	Electrical Harness, Main	MLR-V2-ES-050	1
15	Kit, Circuit Breaker, Main, 90A	MLR-01010K	1
16	Clamp, Cable, 11/16"	MLR-29389	1
17	Screw, Phil Pan, 10-24 X 1/2"	MLR-13304	1
18	Pin, Extension, Fold Cutoff,	MLR-15914	1
19	Screw, Phil Pan, 10-24 X 1 3/4"	MLR-15915	1
20	Screw, Phil Pan, 8-32 X 1 1/4"	MLR-15906	1
21	Jumper, Switch Bypass	MLR-30830	1
22	Light Assembly, Red	MLR-30286	2

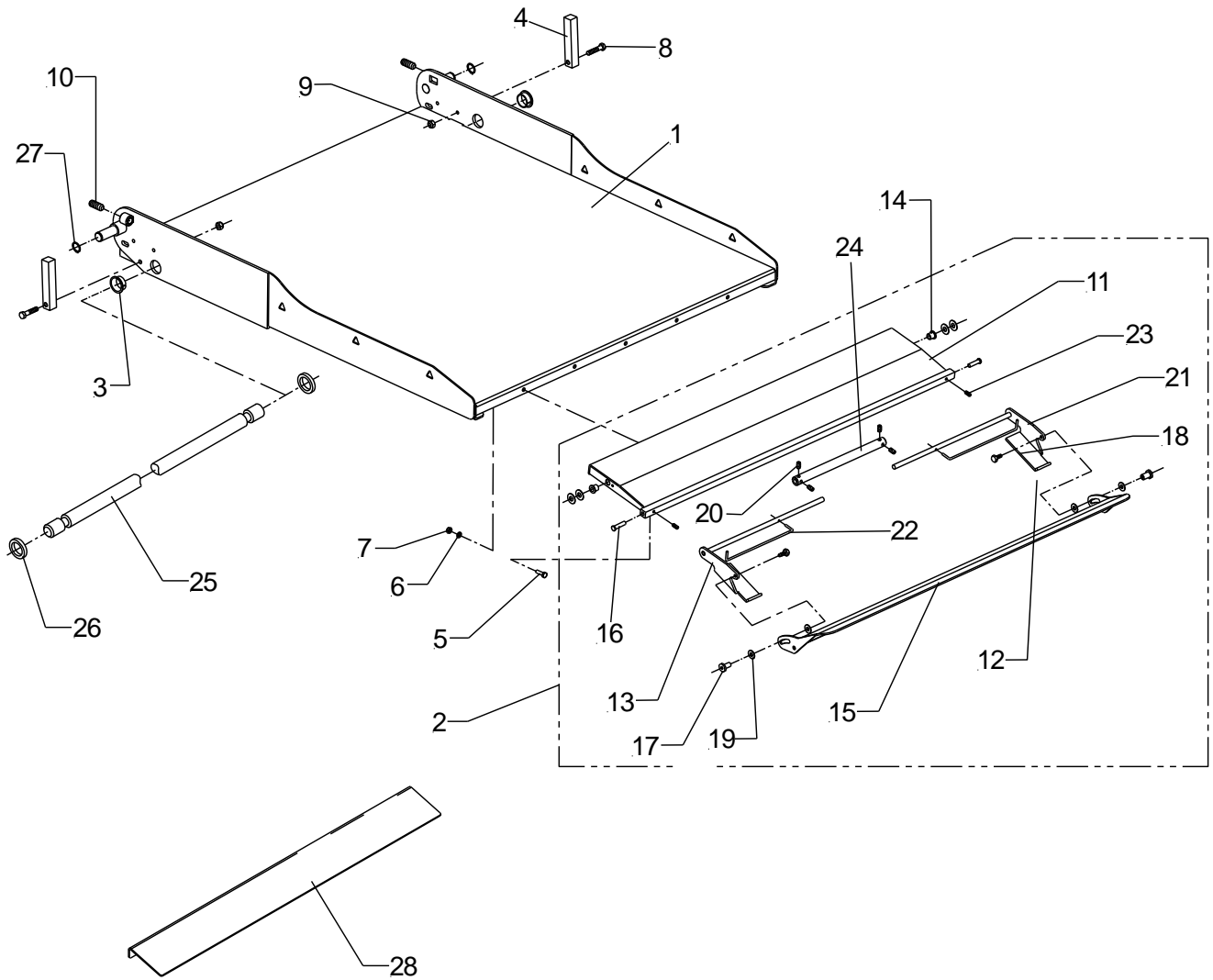
5 Pendant Kit (Control Switch)



5 – PENDANT KIT			
NO.	DESCRIPTION	PART NO.	QTY.
1	Kit, Pendant, S-Series, 7 Ft	MLR-14727	1
2	Stow/Deploy Button, S-Series	MLR-14731	1
3	Up/Down Button, S-Series	MLR-14732	1
4	V-Bracket, Plastic, w/Hardware	MLR-14733	1
5	Kit, Wall Mount Bracket, Universal Pendant	MLR-14709	1
6	Kit, Control Harness Strain Relief, S-Series	MLR-01007	1

NOTES

6 Platform

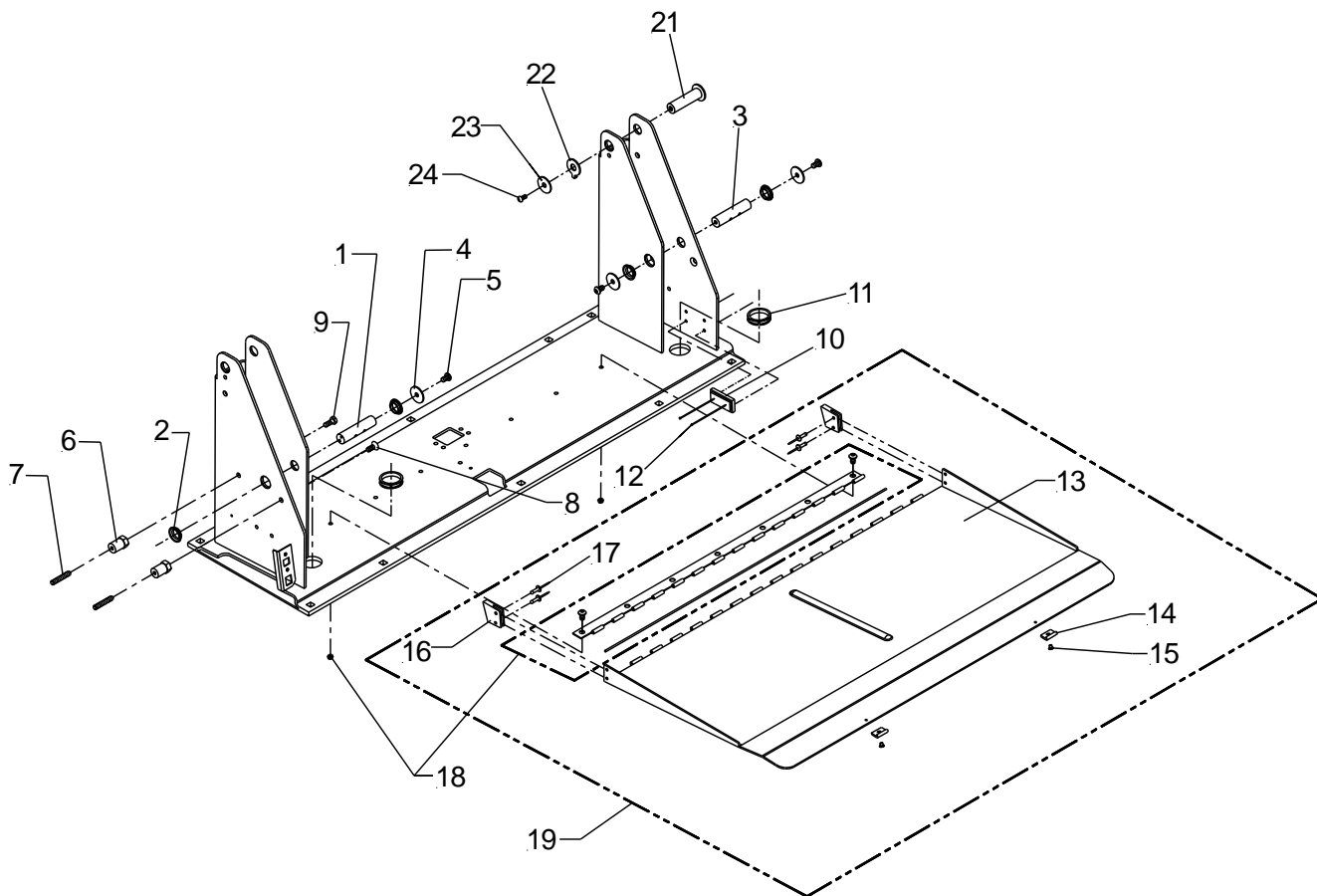


Palfinger Liftgates, LLC.
15939 Piuma Ave, Cerritos, CA 90703
Tel: (888) 774-5844, Fax: (562) 924-8318

Palfinger Liftgates, LLC.
572 Whitehead Road, Trenton, NJ 08619
Tel: (609) 587-4200, Fax: (609) 587-4201

6 - PLATFORM			
NO.	DESCRIPTION	PART NO.	QTY.
1	Platform Welded Assy, 864mm X 1200mm [34" X 47.2"]	MLR-29489	1
	Platform Welded Assy, 864mm X 1500mm [34" X 59"]	MLR-30826	1
2	Rollstop Assembly	MLR-29465	1
3	Bearing, Flanged, 1"OD X 1/2" W	MLR-19579	2
4	Block, Platform Level Adjustment	MLR-VT-AH-142B	2
5	Screw, Hex, M6-1.0 X 20mm, SST	MLR-20596	1
6	Washer, SPL, M6 X 11.8mm X 1.6mm, SST	MLR-20921	1
7	Nut, Jam, ESN, M6-1.0, SST	MLR-15287	5
8	Screw, Hex, 5/16-18 X 1 1/2", Gr5	MLR-14403	1
9	Nut, ESN, 5/16-18, SST	MLR-14415	1
10	Set Screw, Hex Recess, 1/2-20 X 1 1/4, w/Nylock Insert	MLR-19704	1
11	Extension, Platform	MLR-29461	1
12	Actuator, Rollstop, Right Side	MLR-V2-FL-94B	1
13	Actuator, Rollstop, Left Side	MLR-V2-SH-009	1
14	Bushing, 0.392" ID, Bronze	MLR-V2-BU-195	2
15	Rollstop Welded Assembly	MLR-29465	1
16	Pin, Clevis, 5/16" OD X 1.25"L	MLR-19513	1
17	Nut, Tee, 1/4-20 X 1/4L, SST	MLR-14485	1
18	Screw, Hex, 1/4-20 X 1/2, Gr5, SST	MLR-13307	1
19	Washer, Flat, 0.318" X 0.75" X .031", Nylon	MLR-14467	1
20	Setscrew, Hex Recess, 5/16-18 X 1/4"L, Black	MLR-19752	1
21	Spring, Torsion, RH	MLR-V2-SP-022	1
22	Spring, Torsion, LH	MLR-V2-SP-021	1
23	Setscrew, Hex Recess, 1/4-20 X 1/4", Cone Point	MLR-14492	1
24	Collar, Rollstop, Actuator	MLR-30267	1
25	Shaft, Main, 1.00" OD X 40.50" L	MLML16607	1
26	Spacer, 1.00" ID, PVC	MLMLV2-BU-091	2
27	Snapping, 0.75" ID	MLR-11796	1
28	Tip, Ramp, 4"D X 34"W X 1.125"H	23-1517-000	1

7 Frame - Base

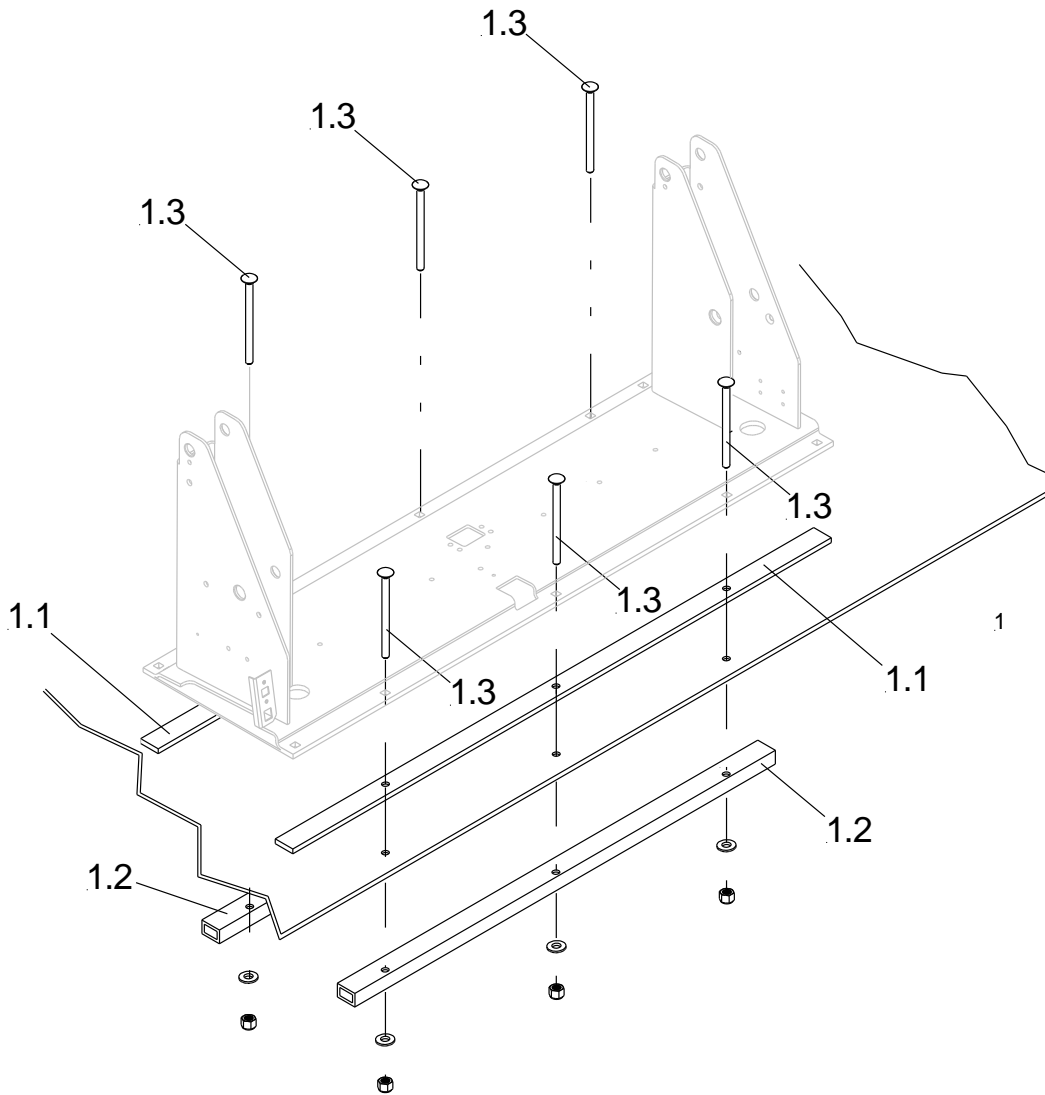


7 – FRAME (BASE)			
NO.	DESCRIPTION	PART NO.	QTY.
1	Pin, Control Cam	MLR-V2-PI-091	1
2	Flanged Bushing, 0.75" OD	MLR-19576	1
3	Pin, Cam	MLR-V2-PI-097	1
4	Washer, Fender, 5/16", SST	MLR-15921	1
5	Screw, Button Head, 5/16-18 X 1/2, SST, Nylon Insert	MLR-14494	1
6	Bushing, E-Cover Mount	MLR-V2-BU-081	2
7	Stud, 5/16-18, X 1.75"	MLR-14500	1
8	Screw, Flathead, 5/16-18 X 3/4"	MLR-14420	1
9	Screw, Hex, 5/16-18 X 3/4"	MLR-17508	1
10	Spacer, Hose	MLR-25557	2
11	Grommet, Caterpillar, 3/16 X 12"L	MLR-26647	2
12	Cable Tie, STD, 1/8"W X 8"L	MLR-25697	1
13	Bridgeplate, Welded Assembly	MLR-29468	1
14	Skid, Bridgeplate	MLR-UL-BA-021	2
15	Screw, Flathead, Phillips, 10-24 X 0.25"	MLR-13302	1
16	Bumper, Bridgeplate Stop	MLR-30231	2
17	Rivet, Pop, 3/16 X 3/8"	MLR-15918	1
18	Hinge Assembly, Bridgeplate, Blue	MLR-32107B	1
19	Bridgeplate Assembly, Cargo Lift	MLR-30230	1

Palfinger Liftgates, LLC.
 15939 Piuma Ave, Cerritos, CA 90703
 Tel: (888) 774-5844, Fax: (562) 924-8318

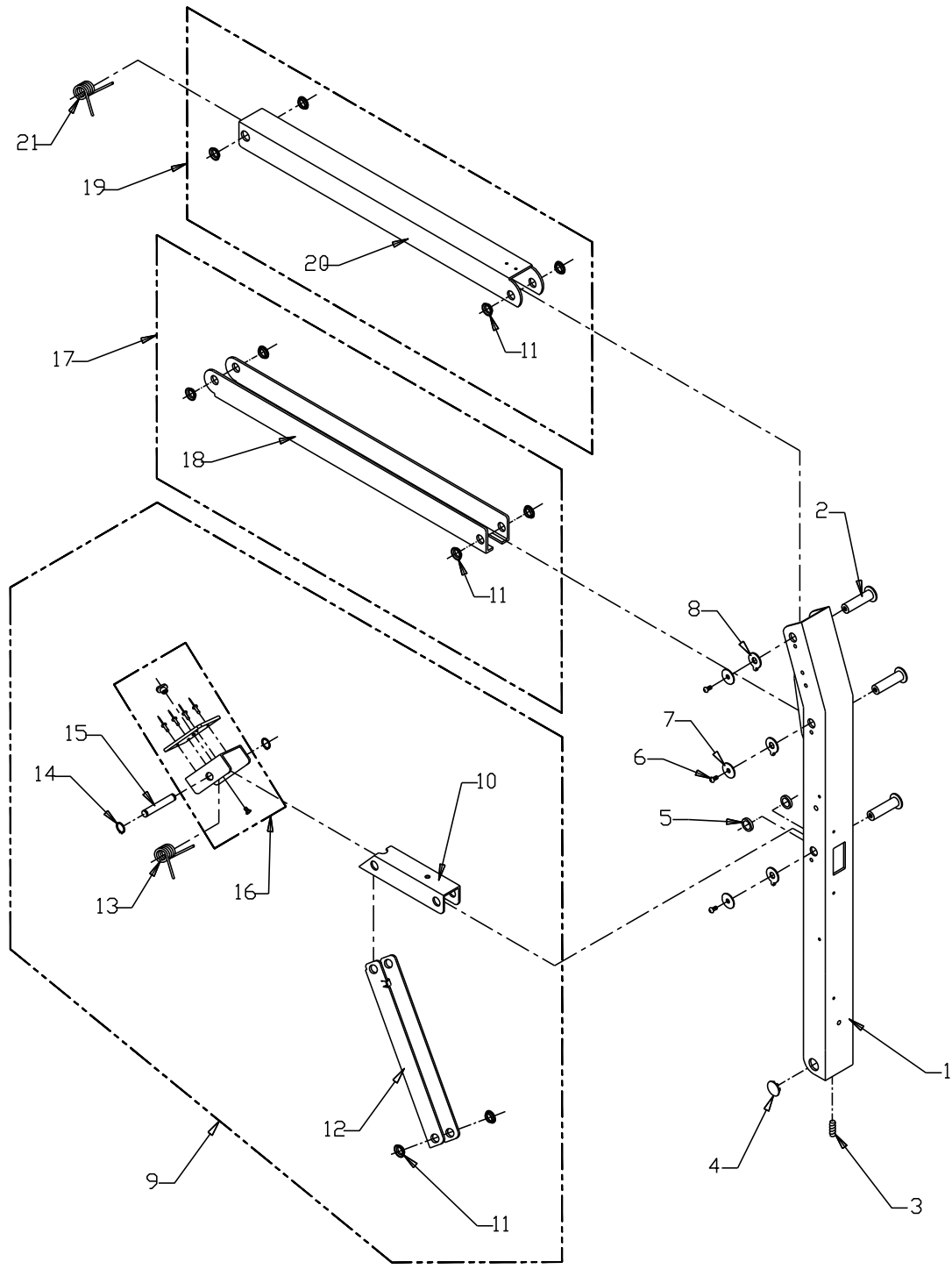
Palfinger Liftgates, LLC.
 572 Whitehead Road, Trenton, NJ 08619
 Tel: (609) 587-4200, Fax: (609) 587-4201

8 Mounting Kit for Nissan Vans



8- Mounting Kit for Nissan Vans			
NO.	DESCRIPTION	PART NO.	QTY.
1	Nissan Mount Kit	06-1516-010	1
1.1	Flatbar, Alum., 0.25" x 1.00" x 43.50"	06-1516-000	2
1.2	Tube, Rectangular, Mounting	06-1516-001	2
1.3	Bolt, Carriage, 3/8"-16 x 6.00"	ES4211	1

9 **Frame - Arms**



9 – FRAME ARMS			
NO.	DESCRIPTION	PART NO.	QTY.
1	Vertical Arm	MLR-30278	2
2	Pin, Link Arm	MLR-14322	6
3	Setscrew, Hex Recess, 3/8-16 X 3/8"L	MLR-11797	1
4	Plug, 1" Low Profile, Nylon, Blk	MLR-25563	2
5	Spacer, Knuckle Link	MLR-VT-BU-42	4
6	Screw, Button Head, 5/16-18 X 1/2, SST, Nylon Insert	MLR-14494	1
7	Washer, Fender, 0.31 X 1.25", SST	MLR-15921	1
8	Washer, Double-D Keyhole, W-Tab	MLR-20258	6
9	Knuckle Lever Assembly	MLR-30285	2
10	Link, Knuckle Lever Assy, Blue	MLR-VT-AC-070B	2
11	Flanged Bushing, 0.75" ID	MLR-19576	2
12	Link, Vertical Knuckle Assy	MLR-V5-AC-069B	2
13	Spring, Knuckle Actuator	MLR-VT-SP-42	2
14	Retaining Ring, 0.75" Ext	MLR-11796	1
15	Pin, Snap Ring, 0.75" OD X 2.15"L	MLR-VT-PI-41	2
16	Saddle Assembly, Blue	MLR-VT-AC-046B	2
17	Lower Arm Assy	MLR-30280	2
18	Arm, Lower, Blue	MLR-V5-AC-152B	2
19	Top Arm Assy	MLR-30281	2
20	Arm, Top, Blue	MLR-V5-AC-150B	2
21	Spring, Top Arm	MLR-V2-SP-97	2

NOTE: One traveling frame arm assembly is shown; both assemblies are identical. Quantities listed are for two assemblies.

10 Decals

1

2

Q max	500 Kg
a (mm)	Q (Kg)
600	500
750	460
900	420
1050	380
1200	340

3

Qmax = 500 kg	
a (mm)	Q (kg)
750	500
937	458
1125	415
1313	372
1500	330

4

MANUAL OPERATION
OPERATION MANUELLE

OPERACION MANUAL
HANDBEDIEUNG

5

CORPORATION
CARGO LIFT

6

7

8

9

10

11

12

NOTICE

LIFT GATE SHUT-OFF TO BE TURNED OFF WHEN LIFT IS NOT IN USE

13

CAUTION

**MAXIMUM LOAD CAPACITY
1100 LBS
[500 KG]**

CENTER LOAD ON PLATFORM TO AVOID PERSONAL OR PROPERTY DAMAGE

14

NOTICE

ELECTRICAL SYSTEM PROTECTED BY RESETTABLE CIRCUIT BREAKER

TO RESET - PUSH RESET TAB IN

15

URGENT WARNING

BEFORE OPERATING LIFT, BE SURE YOU UNDERSTAND:

1. Improper operation of this lift gate can result in serious personal injury. Do not operate unless you have been properly instructed, have read, and are familiar with, the operating instructions. If you do not have a copy of the instructions please obtain them from your employer, distributor or lessee, as appropriate, before you attempt to operate the lift gate.
2. Be certain the vehicle is properly and securely braked before using the liftgate.
3. Always inspect this lift gate for maintenance or damage before using it. If there are signs of improper maintenance, damage to vital part, or a slippery platform surface, do not use the lift gate. Do not attempt your own repairs, unless you are specifically trained.
4. Do not overload. See the Mfg. Literature and/or Rating Label on the unit for the rated load. Remember that this limit applies to both raising and lowering operations.
5. Each load should be placed in a stable position as near as possible to the center of the platform.
6. Never allow yourself, a helper, or a bystander to stand in a position where an unstable load might fall on them. Do not allow any part of your or your helper's body to be placed under, through, or around any portion of the moving lift gate, or in a position that would trap them between any parts when the lift gate is operated.
7. This lift gate is intended for loading and unloading of cargo only. Do not use this lift gate for anything but its intended use. The lift gate is not equipped with a back up system to prevent falling in the event of a failure.

16

WARNING

LIFTGATE HAZARDS CAN RESULT IN CRUSHING OR FALLING

KEEP HANDS AND FEET CLEAR OF PINCH POINTS

IF RIDING LIFTGATE, MAKE SURE LOAD IS STABLE AND FOOTING IS SOLID

READ AND UNDERSTAND ALL INSTRUCTIONS AND WARNINGS BEFORE USE.

17

WARNING

ALWAYS STAND CLEAR OF PLATFORM AREA

18

NOTICE

OPEN AND CLOSE LIFTGATE WITH PLATFORM FULLY RAISED

Palfinger Liftgates, LLC.
15939 Piuma Ave, Cerritos, CA 90703
Tel: (888) 774-5844, Fax: (562) 924-8318

Palfinger Liftgates, LLC.
572 Whitehead Road, Trenton, NJ 08619
Tel: (609) 587-4200, Fax: (609) 587-4201

10 - DECALS			
NO.	DESCRIPTION	PART NO.	QTY.
1	Operating Instructions, Pendant	MLR-29288	1
2	Lift Capacity, 1200mm	MLR-29286	1
3	Lift Capacity, 1500mm	MLR-29289	1
4	Manual Operation	MLR-29267	1
5	Nameplate / Serial Tag	MLR-29287	1
6	Manual Release Valve	MLR-26292	1
7	MBB Logo	MLR-29285	2
8	No People	MLR-32139	2
9	Safety Reflector, 6"	MLR-30111	2
10	Safety Reflector, 30"	MLR-30114	1
11	Safety Reflector, 36"	MLR-30112	2
12	Liftgate Shut Off Switch	MLATG-CAB	1
13	Liftgate Capacity	MLATG-1100	2
14	Circuit Breaker, Blue	MLATG-BKR	1
15	Urgent Warning Decal	MLATG-WLH	1
16	Warning- Liftgate Hazards	MLATG-URGWA	2
17	Warning- Stand Clear	MLATG-PLAT	2
18	Notice For Open And Close	MLATG-OPENILD	1
19	Exterior Control Panel	MLR-32148	1

