



PTF LIFTGATE 5,000 / 5,500 LBS. CAPACITY

A heavy duty liftgate for trucks and trailers



COMMITTED TO YOUR SUCCESS

The new PALFINGER PTF Liftgate helps fleet operators in every market segment transport goods and **reach their destination on-time and safely**. Featuring a 62" x 86" heavy-duty aluminum platform, the PTF fits most trucks and trailers with bed heights ranging from 48" to 56" – making it ideal for almost every application.

Self-leveling and power down functions simplify machine operation and help operators focus on the job – regardless of terrain. With torsion assist folding, and electro-hydraulic stowage, operation is effortless. Plus, with the platform stowed under the truck, you are forklift and dock ready for maximum efficiency.

As the industry innovator in operations and safety, our guiding principle is to make you more successful with the help of advanced technologies, market experience, technical skills, nationwide service support and committed employees.

HEAVY-DUTY CONSTRUCTION

- Standard galvanized coating
- Bushing and grease fittings at all pivot points
- Pre-assembled 3-piece DOT rear impact guard
- Pre-mounted, pre-filled thermo protected power pack
- Galvanized 5/16" x 96"-wide bed extension with bolt kit
- 2-step HD dock bumpers with bolt kit

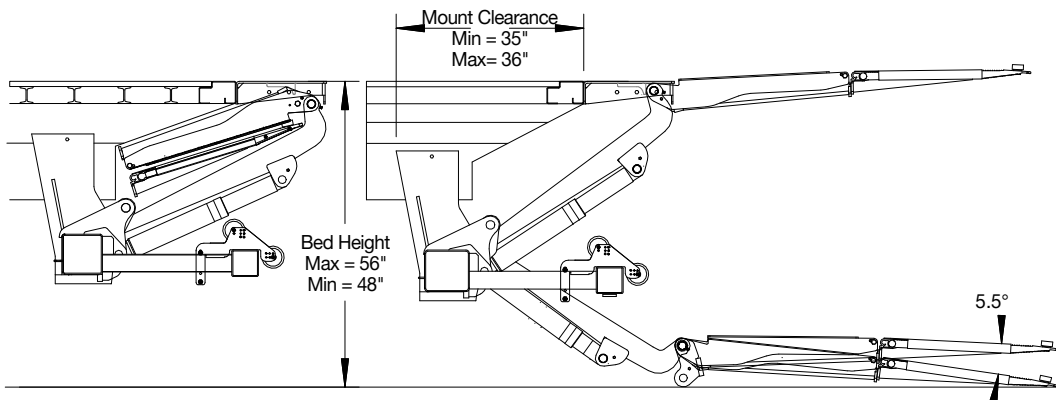


STANDARD / SAFETY FEATURES

- Pre-assembled frame and platform
- Level ride platform with automatic ground tilt
- Platform torsion assist – main and tip
- Platform cart stop
- Pre-welded mount plates for 34" chassis frame width
- Power down
- Double acting/dual cylinder stability
- Hydraulic cylinder locks
- Toggle switch
- 2 button hand control with coiled cord
- Cab shut-off switch
- 150-amp resettable circuit breaker
- 2 Ga. x 40' ground cables
- License plate bracket

LIFTGATE OPTIONS

- Galvanized 102" wide bed extension with bolt kit
- Walk ramp kit
- Trailer sub frame kit, bolt on
- Trailer sub frame kit, weld on
- Trailer shut-off kit
- Auxiliary battery box (2 batteries)
- Trailer kit, nosebox, single/dual



MODEL	LIFTING CAPACITY	PLATFORM SIZES	BED HEIGHT RANGE	WEIGHT (LBS.)	APPROXIMATE INSTALLATION HOURS
PTF 50	5,000 lbs.	62" x 86"	48" – 56"	1,480 lbs.	6
PTF 55	5,500 lbs.	62" x 86"	48" – 56"	1,520 lbs.	6
PTF 50 WR	5,000 lbs.	62" x 86"	52" – 56"	1,668 lbs.	6
PTF 55 WR	5,500 lbs.	62" x 86"	52" – 56"	1,708 lbs.	6



Please call Palfinger USA sales for additional information and pricing.

PALFINGER USA
 15939 Pioma Ave.
 Cerritos, CA 90703
 T + 888 774 5844

WWW.PALFINGER.COM