



EPSILON C70Z, C80Z THE TREE CARE SOLUTION

PALFINGER
LIFETIME EXCELLENCE

The market offers various choices when it comes to selecting your equipment provider - and we know it's not an easy decision. Your challenges every day in the field matter, and that's why we put so much passion into our EPSILON loaders. Trust our expertise and rely on our wide product portfolio to configure the right loader - customized for your needs in tree care.

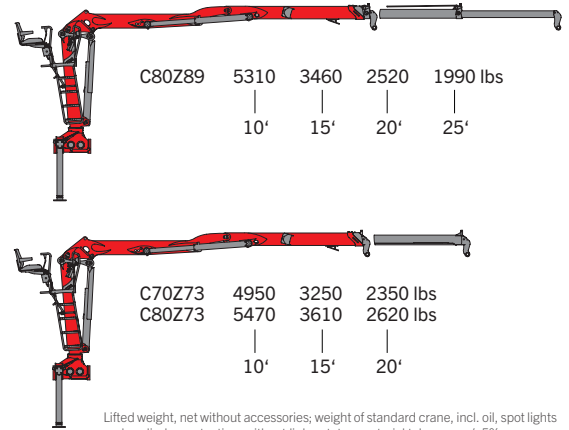
PALFINGER equipment is designed with the operator in mind because we understand that when you spend most of your time with a machine, it becomes part of you. The Z-Line system is a time saving design, with many available configurations, that allows the operator to safely fold and stow the loader during transport without having to disconnect the grapple.

WWW.PALFINGER.COM

EPSILON LOADERS: THE PERFECT COMBINATION OF POWER, SPEED & PRECISION

TECHNICAL SPECIFICATIONS

		C70Z		C80Z	
		73	73	89	89
Lifting moment net	ft.lbs	50,150	56,050	54,580	
Slewing torque net	ft.lbs	13,280		14,750	
Slewing angle	°	420		420	
Max. outreach		23'9"	23'9"	29'3"	
Operating pressure	psi	3,190		3,480	
Recommended pump capacity	1K US gal./min	1x18		1x18	
	2K US gal./min	2x16		2x16	
Dead weight without link / rotator	lbs	3,370	3,440	3,620	



Lifted weight, net without accessories; weight of standard crane, incl. oil, spot lights and cylinder protection, without link, rotator, material tolerance +/- 5%

A FULL LINE SUPPLIER WITH THREE BOOM SYSTEMS

A-LINE

The new EPSILON A-Line takes a standard, market-proven and time-tested design to the next level, giving you superior efficiency and comfort on the job with its first in class weight-to-lift ratio and unrivaled Comfort Drive operating system.

L-LINE

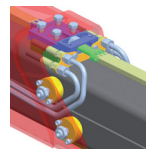
The L-Line provides a diverse range of configurations to offer customized solutions for any task. Built to maximize speed, productivity, and stability, the L-Line is a perfect choice for applications where the boom can stow in the body.

Z-LINE

Z-Line models offer a clear time saving advantage and keep the operator out of the elements. It is not necessary to leave the cab or move the loader to dump the load – the operator stays comfortably inside the truck.



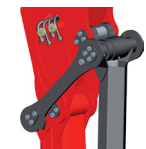
EPSILON - FEATURES AND BENEFITS



EPSCOPE - Extension components are located inside the boom for maximum protection. Service maintenance is facilitated by two protective covers that provide access to exchange hoses, pipes, and cylinder; no need to dismantle boom.



EPSLINK - Provides maximum protection and maneuverability through internal hose routing. No more hoses hanging around the link/rotator vulnerable to breakage from timber/scrap or from being stowed on the load.



LINKAGE SYSTEM -

Provides up to 60% more lifting power in the upper working area creating constant main boom speed and power throughout the lift.



Palfinger North America
PO Box 846 | Niagara Falls, ON | L2E 6V6 | Canada
T + 1 800 567 1554 | WWW.PALFINGER.COM

The availability of some models and the model and special equipment may vary from country to country. EPSILON reserves the right to change design or technical specification at any time without prior notice. Any changes would not be applied retrospectively to previously sold units. Information, description and illustrations are correct at time of going to print, but may also be changed without prior notice. Illustrations may show certain country specific executions and special equipment, and therefore may not be complete standard execution. Measure data without obligation. Lifting capacity presentations are standard illustrations and don't correspond to the optimize boom position, where the maximum lifting capacity can be reached.