

CABLE PLACER

PB 38 AT P **BUCKET** **TRUCK**

LIFETIME EXCELLENCE



PB 38 AT P CABLE PLACER

The PB 38 AT P was designed for our customers to safely and efficiently install and service overhead telecommunications lines. This cable placing unit allows the operator to operate the boom while the vehicle is in motion, which can greatly reduce the time that it takes to install telecom lines. The PB 38 AT P gives the operator 43' of working height, over 27' of side reach, 400 lbs. of side pull, and comes with flexible platform stowage, which allows operators to conveniently and safely access the platform from the tail shelf or to maximize their cargo area.



360 WALKAROUND VIDEO

Simply scan the **QR code** to view the **video**



FEATURES STANDARD AND OPTIONS



- Emergency Hydraulic Power (12VDC)

- Intercom System

- Removable Fork Arm
- Pockets at Platform

- Various Power Outlets at Platform

- Flexible Platform Stowage

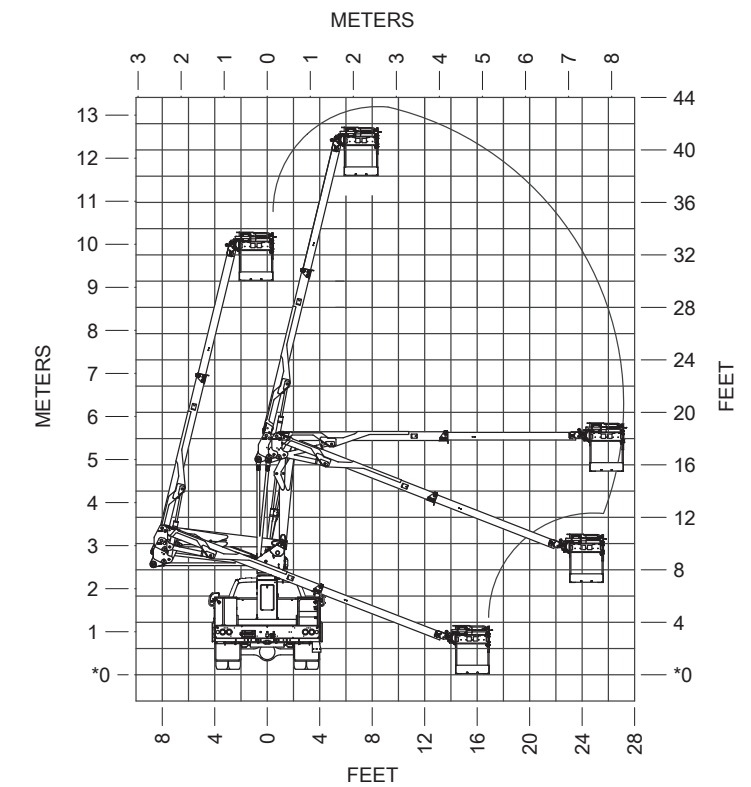
TECHNICAL SPECIFICATIONS

Max Working Height:	43 ft
Max Lateral Outreach:	27 ft 2 in
Transp. Dimensions H:	115 in
Bucket Dimensions (L x W x H):	30.5 in x 29 in x 40.75 in
Rotation Angle of Turntable:	375°
Height to Top of Bucket:	38 ft
Max Working Height:	43 ft
Side Reach:	27 ft 2 in
Rotation:	375° non-continuous
Lower Boom Articulation:	0° --> 95.5°
Upper Boom Travel:	-21° --> 76°
Stow Height:	9' 7"
Rated Bucket Capacity:	400 lbs
Max System Pressure:	2400 psi
Hydraulic System Flow (Fixed Displacement):	5.5 gpm
GVWR:	Min 19000 lbs
C.A.:	84 in
Side Pull/Down Pull:	400 lbs 50 lbs

SERVICE & SUPPORT

Our nationwide service centers and 100+ mobile field service fleet are always close by to maximize your uptime. Our service technicians are specially trained to work on your bucket truck and are equipped to perform preventative maintenance, repairs, and inspections directly on site or at one of our service locations

PRODUCT RANGE

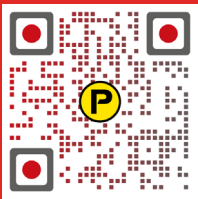


OPTIONS

- Camera System
- Work Light at Platform
- Tool Tray at Platform

WARRANTY

When you choose PALFINGER you get more than advanced technology—you partner with a trusted brand that's committed to building your business. Our bucket trucks offer the most comprehensive warranty policy in the business. We back it with no-hassle warranty claims, plus quick turn-around from friendly service agents who understand your business.



**FOLLOW US ON
SOCIAL MEDIA**



**Designed and
Assembled in the USA**

Disclaimer:

All specifications are based on the 40" frame height and subject to change without notice. Bucket trucks shown in this brochure are partially optional equipped and do not always correspond to the standard version. Country-specific regulations must be observed. Dimensions may vary. Subject to technical changes, errors and translation mistakes.

NAM_AWP_PB38ATP_EN | 2/25

PALFINGER NORTH AMERICA LLC
341 NW 122nd | OKLAHOMA CITY | OK | 73114
USA T + 1 888 748 3841 F + 1 405 755 6829

PALFINGER.COM