

**PALFINGER**

# ETC 40 IH

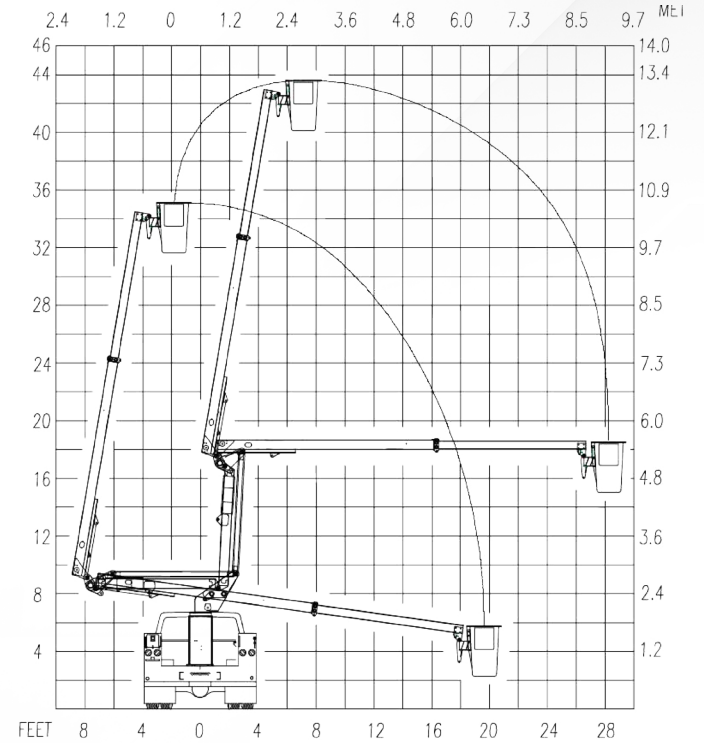
ARTICULATED/TELESCOPIC — INSULATED  
MAXIMUM SIDE REACH



# ETC 40 IH



## OPERATIONAL ZONE



PALFINGER's powerful ETC 40 IH features continuous rotation, single-handle bucket control, in-basket and turret full-pressure hydraulic controls, and manual shear ball rotation. In addition, the 24"x30" bucket offers engine start/ stop and tilt/rescue features.

<b>GENERAL SPECS:</b>	Height to Bottom of Bucket 40'	Working Height 45'	Side Reach End Mount 29' 4"	Stowed Height 10' 4"	Rated Bucket Capacity 400 lbs.			
<b>OPTIONS:</b>	Emergency hydraulic power (12VDC)	Hydraulic tool circuit	Two-speed throttle	Bucket liner	Bucket cover	180° hydraulic bucket rotator	Outrigger options	DC power options, including cab comfort
<b>MINIMUM VEHICLE REQUIREMENTS:</b>	GVWR (dual rear wheels) 19,500 lbs.	GAWR (front) 7,000 lbs.	GAWR (rear) 13,500 lbs.	C.A. 60 in.	ANSI 92.2 Category C 46kV and below			

PALFINGER North America, LLC.

341 Northwest 122nd St | Oklahoma City | Oklahoma | 73114 | +1 888 748 384 | PALFINGER.COM

\*All specifications are based on the 40" frame height and subject to change without notice. Bucket trucks shown in this brochure are partially optional equipped and do not always correspond to the standard version. Country-specific regulations must be observed. Dimensions may vary. Subject to technical changes, errors and translation mistakes.