

**PK 6500 PERFORMANCE**

# **IN THE 6 METRE- TONNE CLASS IT'S THE LIGHTEST AND THE QUICKEST**

**LIFETIME EXCELLENCE**



# IT'S IDEAL FOR SPEEDY GOODS HANDLING ON SMALL VEHICLES

The new PK 6500 Performance is an ideal crane for light vehicles, e.g. for use in the municipal sector. As standard it comes with everything required for tough daily duty: Know-how and leading technology from PALFINGER. This makes it safe and reliable, and provides you with high efficiency for every job. Users can rely on it because the after-service is also right.





PALFINGER

PK 6500

PALFINGER

1600/1.2m

# WITH THE PK 6500 PERFORMANCE YOU HAVE THE **OPTIMUM SPECIFICATION FOR ALL EVENTS**

## 8 Highlights



### **High Speed Extension** For efficient assignments

The High Speed Extension speeds up the extension boom system. Crane works faster and more efficiently.

### **Ergonomic crane control** All information at a glance

The operating levers for all crane functions are ergonomically arranged on the console. This provides comfortable, efficient working. The control console is mounted so that it is easy to service.



### **Radio control** Dialogue with the operator

The optional PALFINGER radio control system with digital data transmission provides maximum safety and convenience. The display integrated in the control console informs the crane operator continuously about the current capacity status of the crane.

### **Internally routed oil ducts** Maximum protection thanks to compact design

On the multiple extensions there are no hydraulic hoses between the cylinders. The internally routed oil passages make it possible to have a compact boom design.



**Hose equipment for accessories**

Versatile and user-friendly

This option provides the oil supply for accessories. The hoses are routed in compact hose troughs and are therefore well protected.

**Hydraulic overload safety device**

In-built safety function

Also available as an option is the hydraulic overload safety device. In the event of overloading it immediately blocks any movements which would increase the load moment.



**PAL 50**

Comfort and safety

The optional PALTRONIC 50 electronic control system is a real advance in safety and convenience.

**Large outrigger widths**

For optimum stability

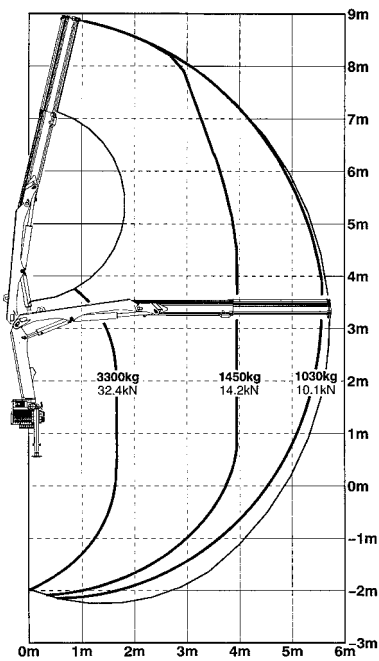
The PK 6500 Performance fits to all normal truck chassis designs. Three outrigger widths are possible: 3 m (mechanical), 4.4 m (choice of mechanical or hydraulic) and 5 m (hydraulic).

## PK 6500

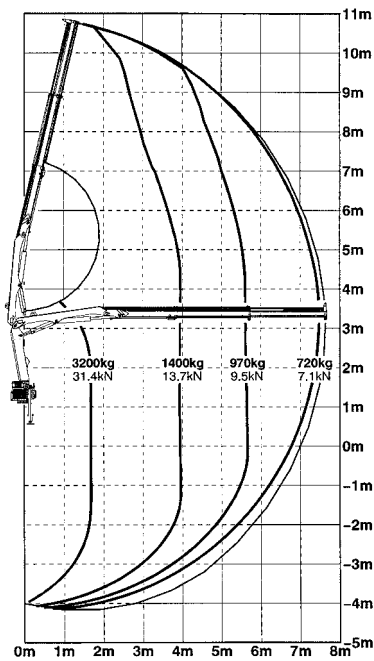
# PERFORMANCE

The biggest hydraulic outreach in its class.

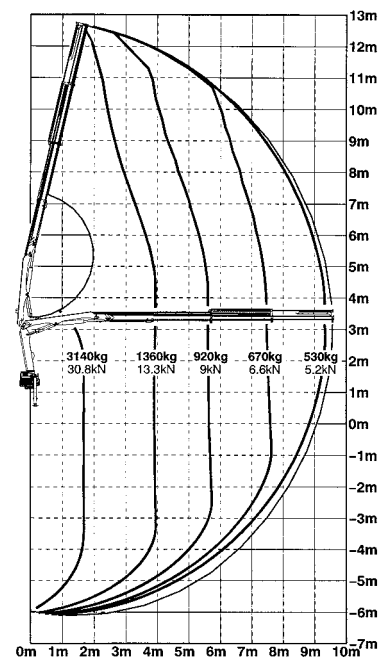
### PK 6500 Performance



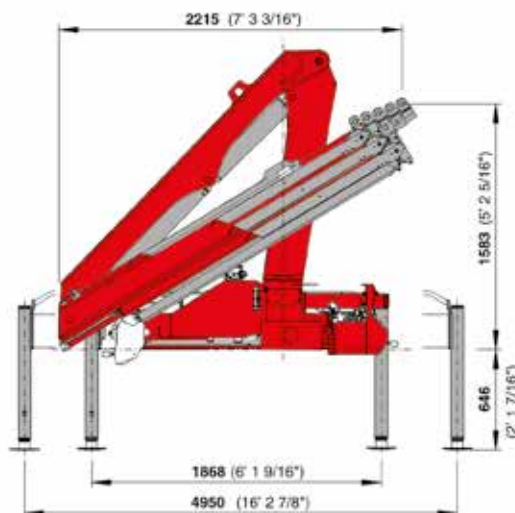
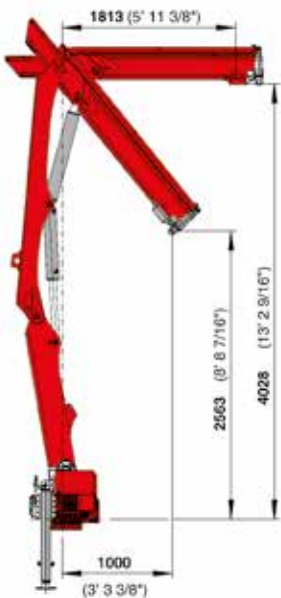
### PK 6500 A Performance



### PK 6500 B Performance



## DIMENSIONS



The outreaches stated are with a boom angle of 20° and are therefore not the maximum.

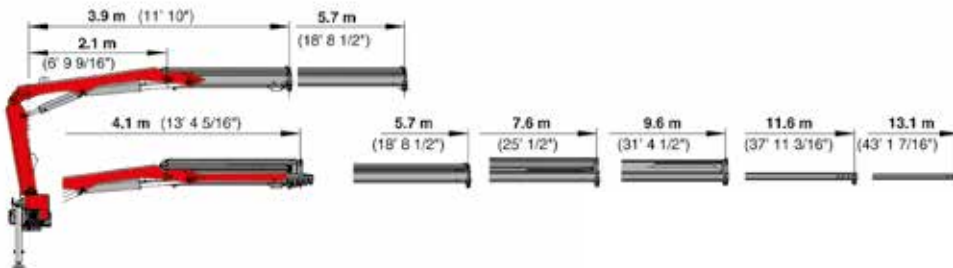
## Lifting capacities

1.6 m	5' 3"	3300 kg	7280 lbs	<b>STD</b>
4.0 m	13' 1"	1450 kg	3200 lbs	
5.6 m	18' 4"	1030 kg	2270 lbs	
1.6 m	5' 1"	3200 kg	7050 lbs	<b>A</b>
4.0 m	13' 1"	1400 kg	3090 lbs	
5.6 m	18' 4"	970 kg	2140 lbs	
7.5 m	24' 7"	720 kg	1590 lbs	
1.6 m	5' 1"	3140 kg	6920 lbs	<b>B</b>
4.0 m	13' 1"	1360 kg	3000 lbs	
5.6 m	18' 4"	920 kg	2030 lbs	
7.5 m	24' 7"	670 kg	1480 lbs	
9.4 m	30' 10"	530 kg	1170 lbs	
11.4 m*	37' 5"	330 kg	730 lbs	
13.0 m*	42' 8"	220 kg	490 lbs	

## Technical specifications DIN 15018 H1-B3

Max. lifting moment	5.8 mt/56.9 kNm	41950 ft.lbs
Max. lifting capacity	3300 kg/32.4 kN	7280 lbs
Max. hydraulic outreach	9.6 m	31'6"
Max. outreach	13.1 m	42'12"
Slewing angle	400 °	
Slewing torque	0.7 mt/6,9 kNm	5090 ft.lbs
Outreach	5.7 m	18'8"
Stabilizer spread standard	3.0 m	19'10"
Stabilizer spread maximum	5.0 m	16'5"
Fitting space required	0.57 m	1'10"
Width folded	2.3 m	7'7"
Operating pressure	315 bar	4568 psi
Pump capacity by radio remote control	20 l/min	5.3 US gal./min
Dead weight Standard crane	708 kg	1560 lbs

## EXTENSION BOOM VARIATIONS



**PK 6500**

KP-PK6500M2+EN

Cranes shown in the leaflet are partially optional equipped and do not always correspond to the standard version. Country-specific regulations must be observed. Dimensions may vary. Subject to technical changes, errors and translation mistakes.