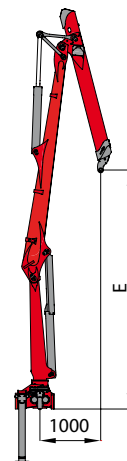
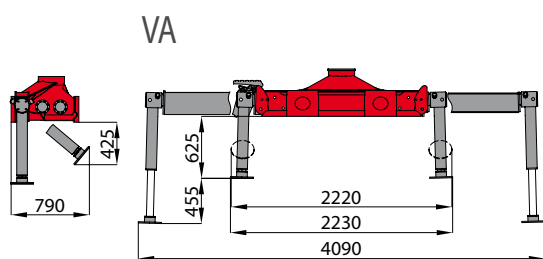
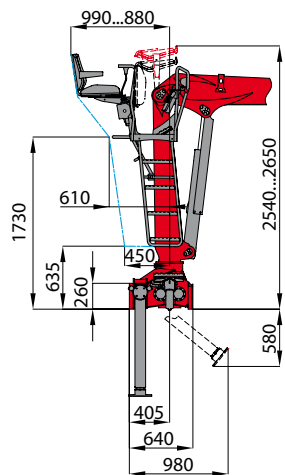
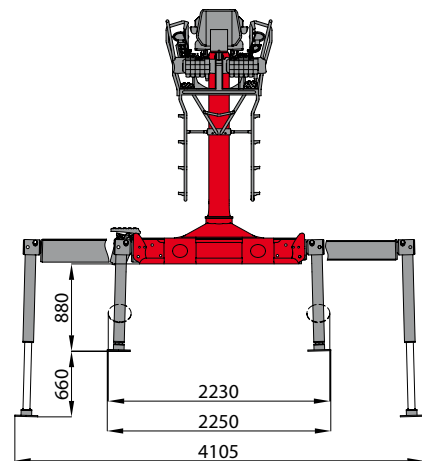
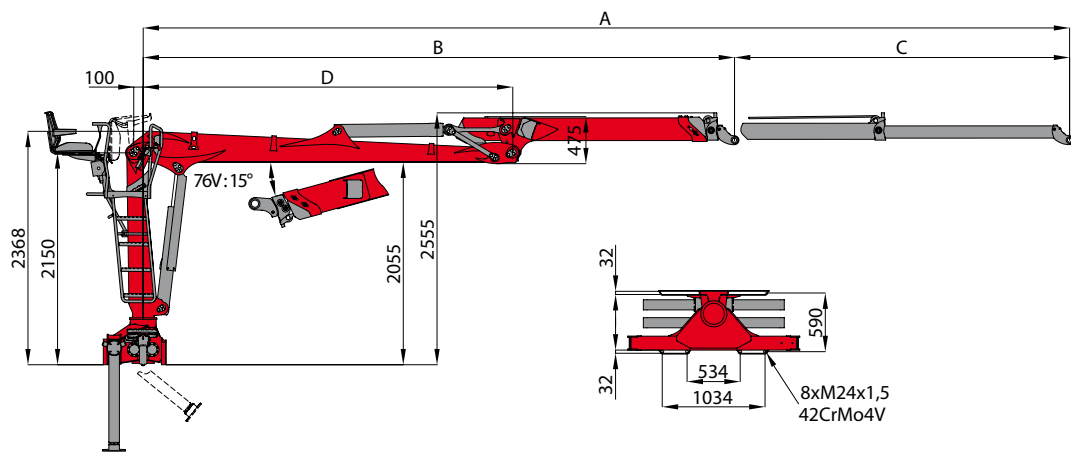


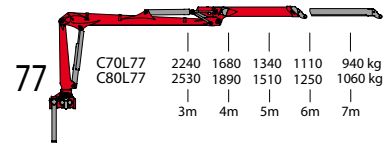
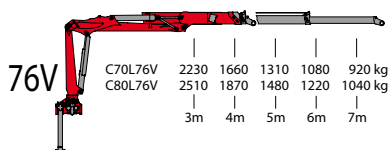
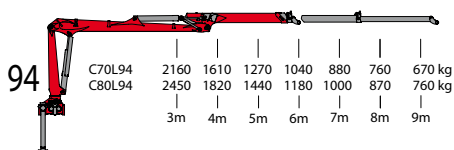
**C70L**  
**C80L**

[WWW.PALFINGEREPSILON.COM](http://WWW.PALFINGEREPSILON.COM)





|   | 94   | 77   | 76V  |
|---|------|------|------|
| A | 9400 | 7735 | 7620 |
| B | 6000 | 5885 | 4460 |
| C | 3400 | 1850 | 3160 |
| D | 3750 | 3750 | 2750 |
| E | 3810 | 3930 | 3450 |



|                         |            | C70L   |      |      | C80L |      |      |
|-------------------------|------------|--------|------|------|------|------|------|
|                         |            | 77     | 94   | 76V  | 77   | 94   | 76V  |
| <b>ONROAD RECYCLING</b> |            |        |      |      |      |      |      |
|                         | [kNm]      | 67     | 65   | 67   | 76   | 74   | 75   |
|                         | [kNm]      | 18     |      |      | 20   |      |      |
|                         | [°]        | 425    |      |      |      |      |      |
|                         | [m]        | 7,7    | 9,4  | 7,6  | 7,7  | 9,4  | 7,6  |
|                         | [bar]      | 200    |      |      | 220  |      |      |
|                         | 1K [l/min] | 1 x 70 |      |      |      |      |      |
|                         | 2K [l/min] | 2 x 50 |      |      |      |      |      |
|                         | [kg]       | 1690   | 1760 | 1800 | 1710 | 1780 | 1820 |
|                         | RX41 [kN]  | 57     |      |      | 61   |      |      |