

SPK 23500

KNUCKLE BOOM CRANE

IDEAL LIFTING SOLUTION FOR 2 AXLE TRUCKS



TECHNICAL SPECIFICATION

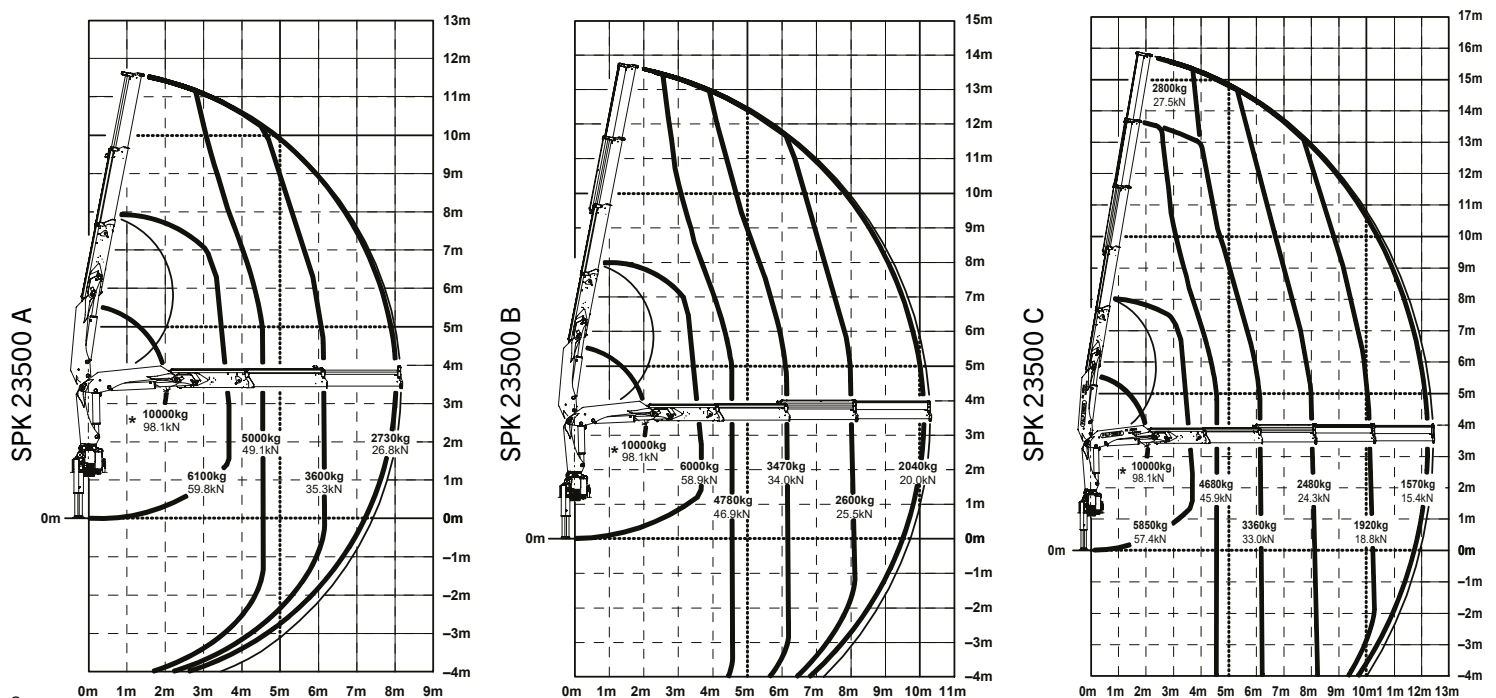
Product Description

- Equipped with load holding valves for safe crane operations
- High speed boom extension and retraction with return oil utilization
- Optimized lifting performance with the use of high tensile steel and hexagonal boom design
- Lightweight yet robust construction according to European Standards (EN 12999)
- Professional installation solutions and technical supports
- Standard package includes
 - Oil tank mounted
 - Load holding valves
 - Painting
 - High pressure filter
 - Digital hour counter
 - Load hook
 - Crane preservation
 - Mounting bolts
 - Spare parts catalogue
 - Crating

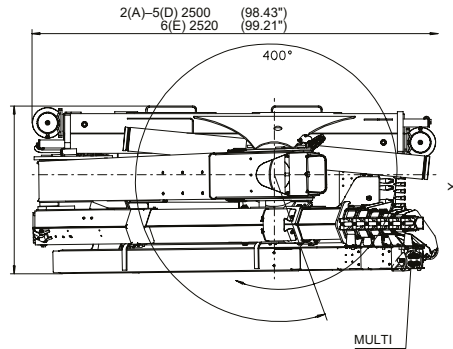
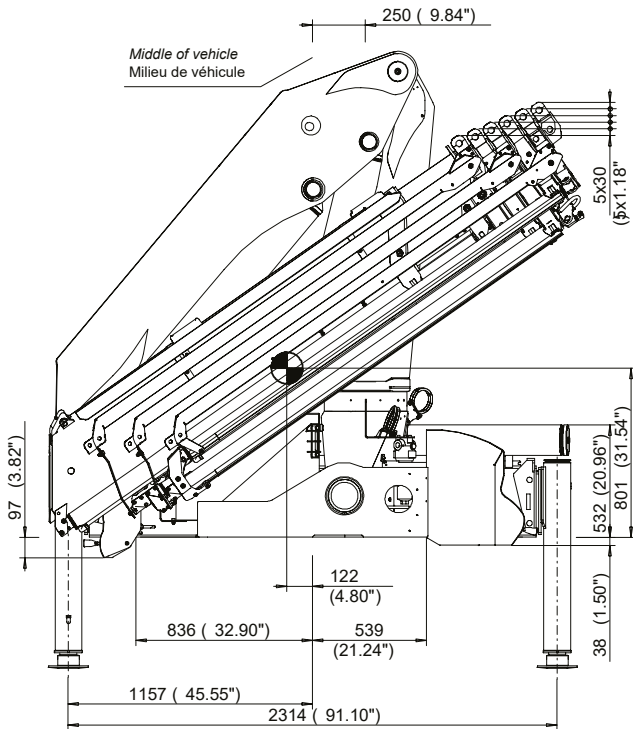
Technical Data

Basic Data	SPK 23500
Max. lifting moment [mt]	23.0
Max. lifting capacity [kg]	10000
Max. hydraulic outreach [m]	16.7
Max. hydraulic outreach lifting capacity [kg]	960
Max. number of extension boom	6 (E)
Slewing angle [°]	400
Slewing moment [mt]	2.3
Max. stabilizer spread [mm]	6616
Std. stabilizer spread [mm]	5640
Fitting space required [mm]	875
Width folded [mm]	2500
Max. operating pressure [bar]	300
Recommended pump capacity [l/min]	50 - 75
Dead weight standard crane [kg]	2346

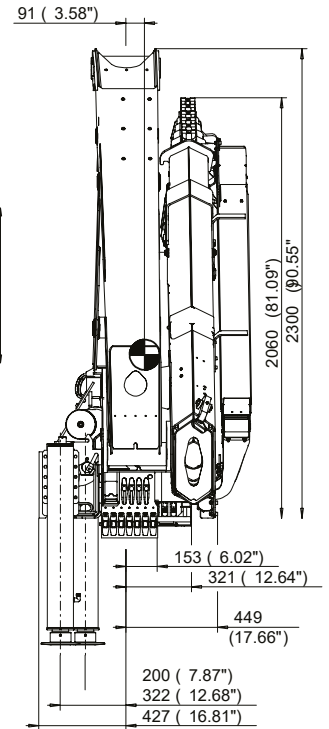
LIFTING CHART



CRANE DIMENSION



hydraulic extensions extensions hydrauliques	X
2A-3(B)	875 mm (34.45")
4(C)	935 mm (36.81")
5(D)	975 mm (38.39")
6(E)	995 mm (39.17")



Subject to change, production tolerances have to be taken into account.

FEATURES AND OPTIONS



Ergonomic Crane Control

- Ergonomically arranged operating levers for all crane functions
- Functional design for better comfort during crane operation
- Straightforward service and maintenance



High Density Paint

- Top quality surface paint with corrosion protection
- Long term UV-resistant coating
- Aesthetically pleasing and attractive colour



Load Holding Valve

- Holds the cylinder in position
- Standard fittings on all cylinder
- Strategic positioned to protect from damage



High speed extension

- Increase extension and retraction speed of the boom system
- Crane works faster with return oil utilization
- Time saving during crane operation



Radio Remote Control

- Efficient control of the crane remotely
- Safe crane operation outside of the danger zone
- Easy maintenance and quick troubleshooting



Top Seat

- Excellent visibility of the surrounding area
- Foldable sun protection umbrella for hot weather
- Seat cover to prevent exposure from sun



Hydraulic Overload Safety Device

- Prevents the crane from overloading
- Overload protection system with emergency cut-off function
- Stops all movements of the crane that increases load



Hose Equipment for Attachments

- Additional hydraulic functions for attachments
- Simple installation with hose tray protection
- Diverse applications suitable for different industry

PALFINGER ASIA PACIFIC PTE LTD
3 International Business Park
Nordic European Center | #05-25/26
609927 | Singapore
T: +65 6591 9191
asia@palfinger.com

Cranes shown in the leaflet are partially optional equipped and do not always correspond to the standard version. Country-specific regulations must be observed. Dimensions may vary. Subject to technical changes, errors and translation mistakes.