

TELESCOPIC

(T-SERIES / TA-SERIES)

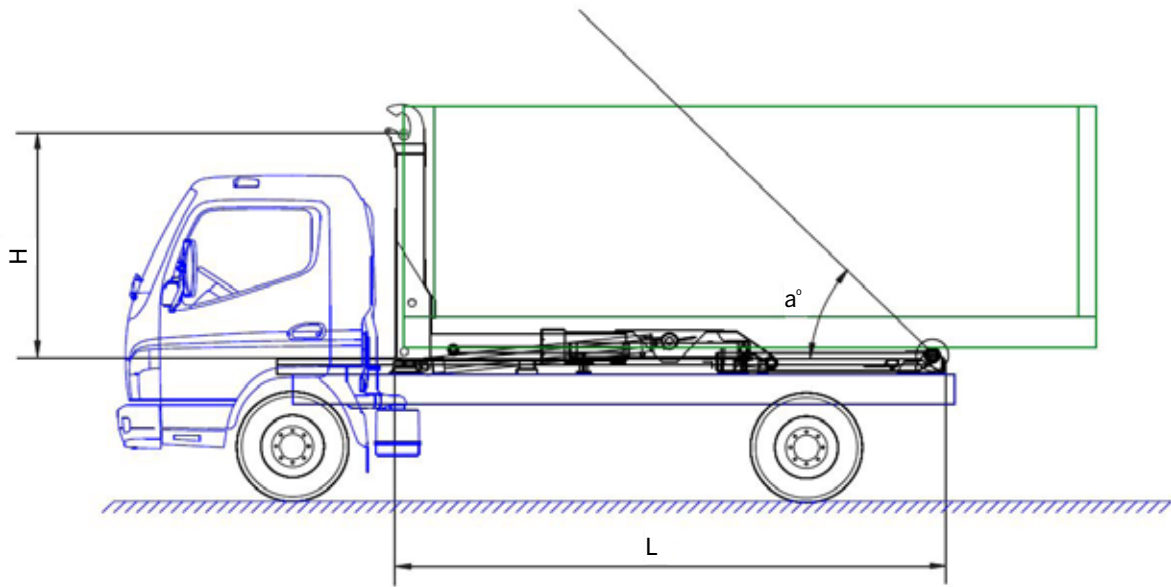
HIGH PERFORMANCE, DURABILITY AND INTERNATIONAL STANDARDS OF QUALITY

LIFETIME EXCELLENCE

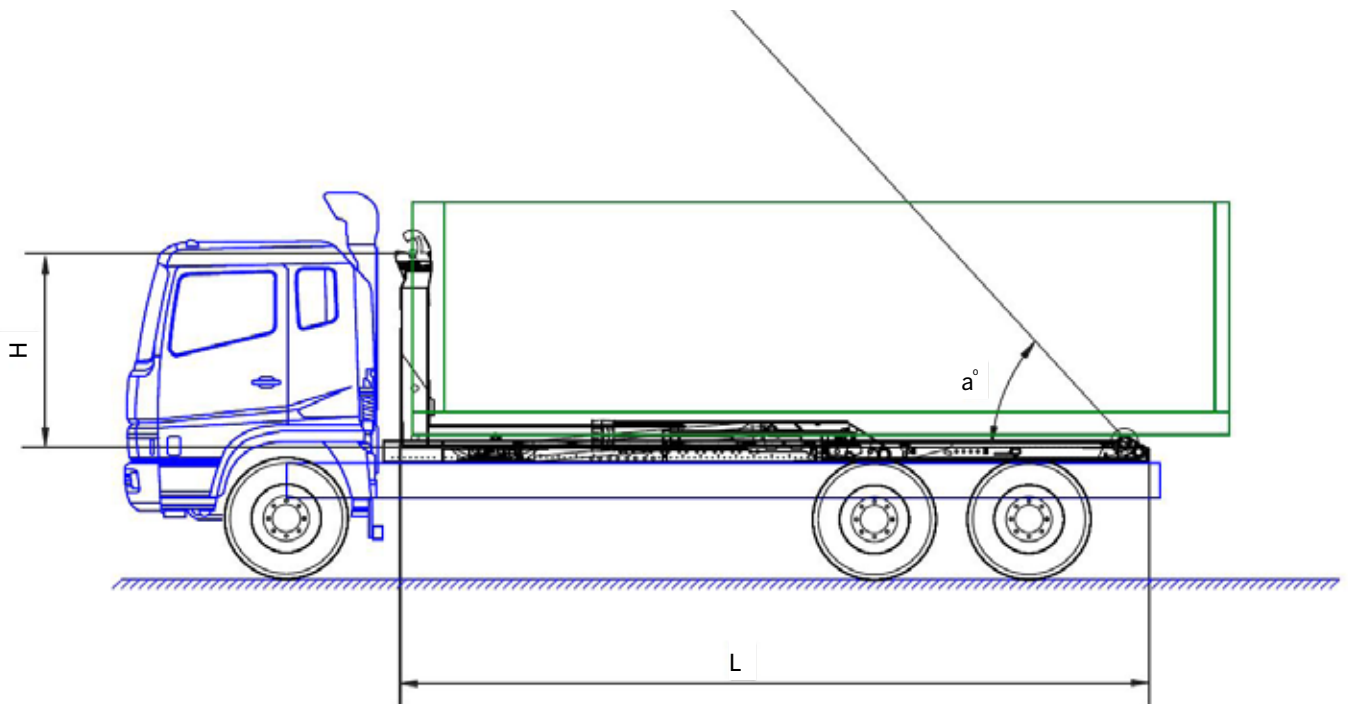


TELESCOPIC (T-SERIES)

2 - AXLES TRUCK CHASSIS



3 - AXLES TRUCK CHASSIS



TECHNICAL SPECIFICATIONS

T 5 PLUS Lifting Capacity: 5t

Product Type	Lifting Capacity	Dead Weight	Truck GVW	Hook Height	Length	Container Length		Tipping Angle	Pump Flow	Pressure Setting
	t	kg	t	H (mm)	L (mm)	Max (mm)	Min (mm)	a(°)	l/min	bar
T5 S_L3155	5	780	7-10	900/920	3155	3800	2500	48	30-50	140
T5 S_L3400	5	810	7-10	900/920	3400	4000	2750	46	30-50	160
T5 S_L3605	5	830	7-10	900/920	3605	4250	2800	49	30-50	150
T5 S_L3805	5	850	7-10	900/920	3805	4500	2950	49	30-50	170
T5 S_L4055	5	900	7-10	900/920	4055	4750	3250	45	30-50	180

T 7 S Lifting Capacity: 7t

Product Type	Lifting Capacity	Dead Weight	Truck GVW	Hook Height	Length	Container Length		Tipping Angle	Pump Flow	Pressure Setting
	t	kg	t	H (mm)	L (mm)	Max (mm)	Min (mm)	a(°)	l/min	bar
T7 S_L3155	7	780	9.5-12	900/920	3155	3800	2500	48	40-65	205
T7 S_L3400	7	810	9.5-12	900/920	3400	4000	2750	46	40-65	210
T7 S_L3605	7	830	9.5-12	900/920	3605	4250	2800	49	40-65	200
T7 S_L3805	7	850	9.5-12	900/920	3805	4500	2950	49	40-65	225
T7 S_L4055	7	900	9.5-12	900/920	4055	4750	3250	45	40-65	235

T8 Lifting Capacity: 8t

Product Type	Lifting Capacity	Dead Weight	Truck GVW	Hook Height	Length	Container Length		Tipping Angle	Pump Flow	Pressure Setting
	t	kg	t	H (mm)	L (mm)	Max (mm)	Min (mm)	a(°)	l/min	bar
T8_L3550	8	1050	10-12	1570	3550	4250	2750	56	40-65	130
T8_L3800	8	1060	10-12	1570	3800	4500	3000	52	40-65	145
T8_L4200	8	1120	10-12	1570	4200	4750	3250	52	40-65	145
T8_L4600	8	1140	10-12	1570	4600	5250	3500	49	40-65	155

TECHNICAL SPECIFICATIONS

T10 Lifting Capacity: 10t

Product Type	Lifting Capacity	Dead Weight	Truck GVW	Hook Height	Length	Container Length		Tipping Angle	Pump Flow	Pressure Setting
	t	kg	t	H (mm)	L (mm)	Max (mm)	Min (mm)	a(°)	l/min	bar
T10_L3800	10	1060	12-15	1570	3800	4500	3000	52	40-65	180
T10_L4200	10	1120	12-15	1570	4200	4750	3250	52	40-65	180
T10_L4600	10	1140	12-15	1570	4600	5250	3500	49	40-65	190
T10_L4900	10	1160	12-15	1570	4900	5750	3750	46	40-65	210

T 15 Lifting Capacity: 15t

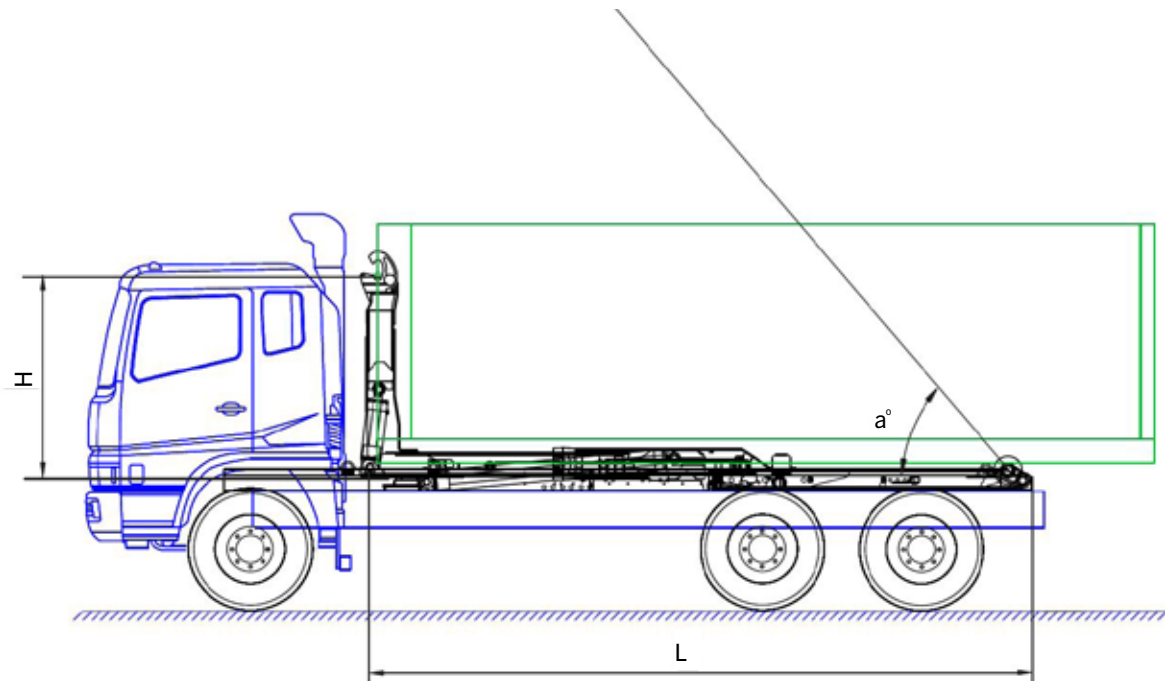
Product Type	Lifting Capacity	Dead Weight	Truck GVW	Hook Height	Length	Container Length		Tipping Angle	Pump Flow	Pressure Setting
	t	kg	t	H (mm)	L (mm)	Max (mm)	Min (mm)	a(°)	l/min	bar
T15_L4300	15	1530	16-20	1570	4300	5000	3250	49	50-80	210
T15_L4750	15	1610	16-20	1570	4750	5500	3500	52	50-80	185
T15_L5050	15	1640	16-20	1570	5050	5750	3750	50	50-80	205
T15_L5300	15	1640	16-20	1570	5300	6000	4000	47	50-80	205
T15_L5600	15	1670	16-20	1570	5600	6500	4000	47	50-80	225

T20 Lifting Capacity: 20t

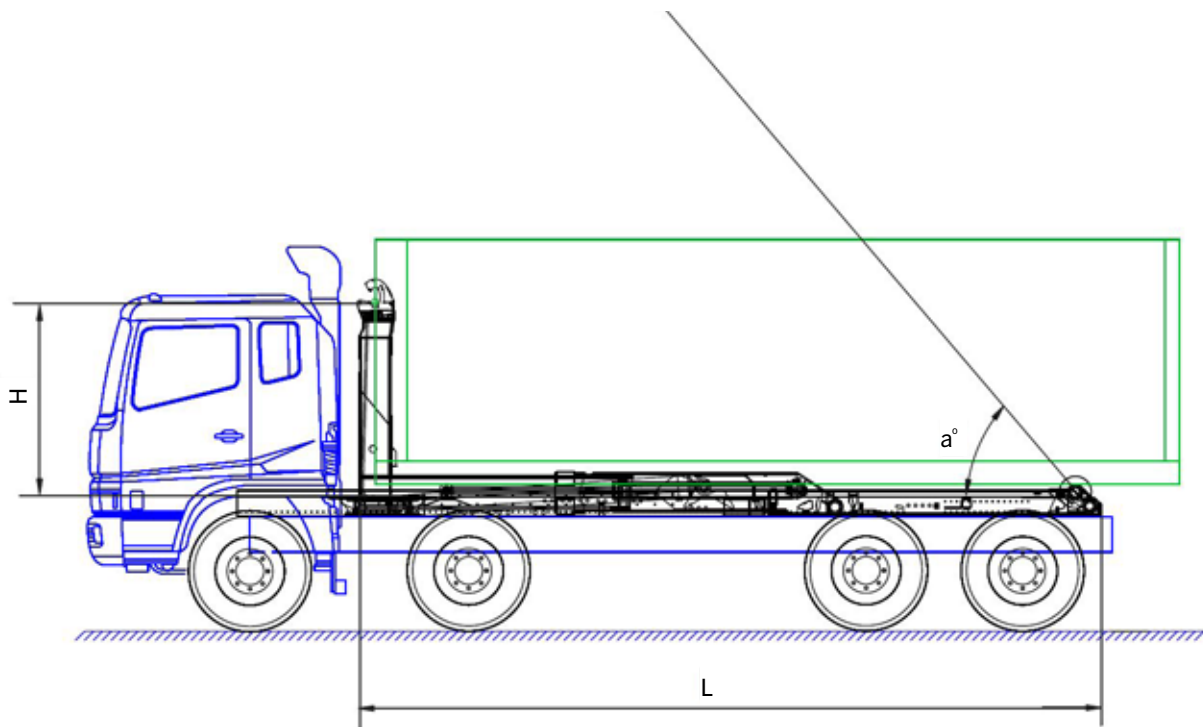
Product Type	Lifting Capacity	Dead Weight	Truck GVW	Hook Height	Length	Container Length		Tipping Angle	Pump Flow	Pressure Setting
	t	kg	t	H (mm)	L (mm)	Max (mm)	Min (mm)	a(°)	l/min	bar
T20_L4750	20	2200	22-26	1570	4750	5550	3500	53	60-110	215
T20_L4900	20	2200	22-26	1570	4900	5750	3750	50	60-110	215
T20_L5300	20	2250	22-26	1570	5300	6250	4000	48	60-110	235
T20_L5650	20	2350	22-26	1570	5650	6500	4250	48	60-110	235
T20_L5850	20	2400	22-26	1570	5850	6750	4250	48	60-110	235
T20_L6000	20	2450	22-26	1570	6000	7000	4500	48	60-110	260
T20_L6300	20	2500	22-26	1570	6300	7250	4750	46	60-110	285

TELESCOPIC (T-SERIES/TA-SERIES)

3 - AXLES TRUCK CHASSIS TA



4 - AXLES TRUCK CHASSIS



TECHNICAL SPECIFICATIONS

T22 Lifting Capacity: 22t

Product Type	Lifting Capacity	Dead Weight	Truck GVW	Hook Height	Length	Container Length		Tipping Angle	Pump Flow	Pressure Setting
	t	kg	t	H (mm)	L (mm)	Max (mm)	Min (mm)	a(°)	l/min	bar
T22_L5850	22	2400	26-28	1570	5850	6750	4250	48	60-110	265
T22_L6000	22	2450	26-28	1570	6000	7000	4500	48	60-110	255
T22_L6300	22	2500	26-28	1570	6300	7250	4750	46	60-110	285

T 26 Lifting Capacity: 26t

Product Type	Lifting Capacity	Dead Weight	Truck GVW	Hook Height	Length	Container Length		Tipping Angle	Pump Flow	Pressure Setting
	t	kg	t	H (mm)	L (mm)	Max (mm)	Min (mm)	a(°)	l/min	bar
T26_L5760	26	2780	32-40	1570	5760	6750	4250	50	80-110	230
T26_L6010	26	2820	32-40	1570	6010	7000	4500	50	80-110	255
T26_L6310	26	2930	32-40	1570	6310	7500	4750	48	80-110	280
T26_L6760	26	3000	32-40	1570	6760	8000	5400	49	80-110	295

T30 Lifting Capacity: 30t

Product Type	Lifting Capacity	Dead Weight	Truck GVW	Hook Height	Length	Container Length		Tipping Angle	Pump Flow	Pressure Setting
	t	kg	t	H (mm)	L (mm)	Max (mm)	Min (mm)	a(°)	l/min	bar
T30_L6100	30	3080	32-40	1570	6100	7000	4500	53	80-110	290
T30_L6400	30	3120	32-40	1570	6400	7250	4750	51	80-110	305
T30_L6800	30	3190	32-40	1570	6800	7750	5000	52	80-110	300

TECHNICAL SPECIFICATIONS

T 15A Lifting Capacity: 15t

Product Type	Lifting Capacity	Dead Weight	Truck GVW	Hook Height	Length	Container Length		Tipping Angle	Pump Flow	Pressure Setting
	t	kg	t	H (mm)	L (mm)	Max (mm)	Min (mm)	a(°)	l/min	bar
T15A_L5430	15	1730	16-20	1570	5340	6250	3500	50	80-110	205

T20A Lifting Capacity: 20t

Product Type	Lifting Capacity	Dead Weight	Truck GVW	Hook Height	Length	Container Length		Tipping Angle	Pump Flow	Pressure Setting
	t	kg	t	H (mm)	L (mm)	Max (mm)	Min (mm)	a(°)	l/min	bar
T20A_L5025	20	2450	22-26	1570	5025	5750	3000	53	60-110	215
T20A_L5325	20	2450	22-26	1570	5325	6250	3500	48	60-110	215
T20A_L5475	20	2500	22-26	1570	5475	6500	3500	46	60-110	215

T22A Lifting Capacity: 22t

Product Type	Lifting Capacity	Dead Weight	Truck GVW	Hook Height	Length	Container Length		Tipping Angle	Pump Flow	Pressure Setting
	t	kg	t	H (mm)	L (mm)	Max (mm)	Min (mm)	a(°)	l/min	bar
T22A_L5025	22	2450	26-28	1570	5025	5750	3000	53	60-110	240
T22A_L5325	22	2450	26-28	1570	5325	6250	3500	48	60-110	240
T22A_L5475	22	2500	22-26	1570	5475	6500	3500	46	60-110	215

T26A Lifting Capacity: 26t

Product Type	Lifting Capacity	Dead Weight	Truck GVW	Hook Height	Length	Container Length		Tipping Angle	Pump Flow	Pressure Setting
	t	kg	t	H (mm)	L (mm)	Max (mm)	Min (mm)	a(°)	l/min	bar
T26A_L5735	26	2850	32-40	1570	5735	6750	4500	52	80-110	270
T26A_L6185	26	2950	32-40	1570	6185	7250	4750	50	80-110	270

TELESCOPIC (T-SERIES/TA-SERIES)

BENEFITS AND ARGUMENTS



Imported Hydraulic Components

Supply (as option) European piston pumps and tanks with an integrated filter for each Hook Loader size



Safety Valves

Load holding valves on each cylinders and hydraulic safety valves are installed to be conform with EU safety standard



Mechanical Hook Safety

To guarantee that the container bar will not go out just in case of miss operation



In Cab Control System

In cab pneumatic control system without any electric or proximity switch, green light for driver information



Anti - Corrosion

All Hookloader with high primary coat painting and all metallic parts (including pipes, hoses, bolts, fittings) are anti corrosion protected.



Main Valves

Front Vertical main valves with an aluminum cover either on right or left



Cast Steel Parts

All wearing parts as hook , container support, pulleys are casted to extend durability



Container Locking

Guarantee a full safety of during dumping & transport

APPLICATION

OUR WIDE RANGE GUARANTEES THE HIGHEST VEHICLE USAGE FOR YOUR APPLICATIONS



Scrap Metal Recycling

Conveniently and safely handle the scrap metal



Waste Handling

Unloading the container for waste collection, thus increase the service efficiency of the truck



Fire Brigade Application

Suitable for fire brigade and humanitarian aid applications



Agriculture

Distribute the containers to different farm fields for agricultural commodities collection, reducing the quantity of the truck



Construction

Telescopic and articulated hook arm structure, with lower loading angle



Equipment transportation

Suitable for transportation of construction materials or other equipment

Telescopic, Palfinger Asia Pacific, 03/18

Products shown in the leaflet are partially optional equipped and do not always correspond to the standard version. Country-specific regulations must be observed. Dimensions may vary. Subject to technical changes, errors and translation mistakes.

Palfinger Asia Pacific Pte Ltd
3 Nordic European Centre | International Business Park | #05-25/26 | Singapore 609927
Email: asia@palfinger.com