

AQUACULTURE SEGMENT

ELEVATING YOUR AQUACULTURE OPERATIONS



CELEBRATING THE FUTURE SINCE 1932

We have always had an eye on innovations.

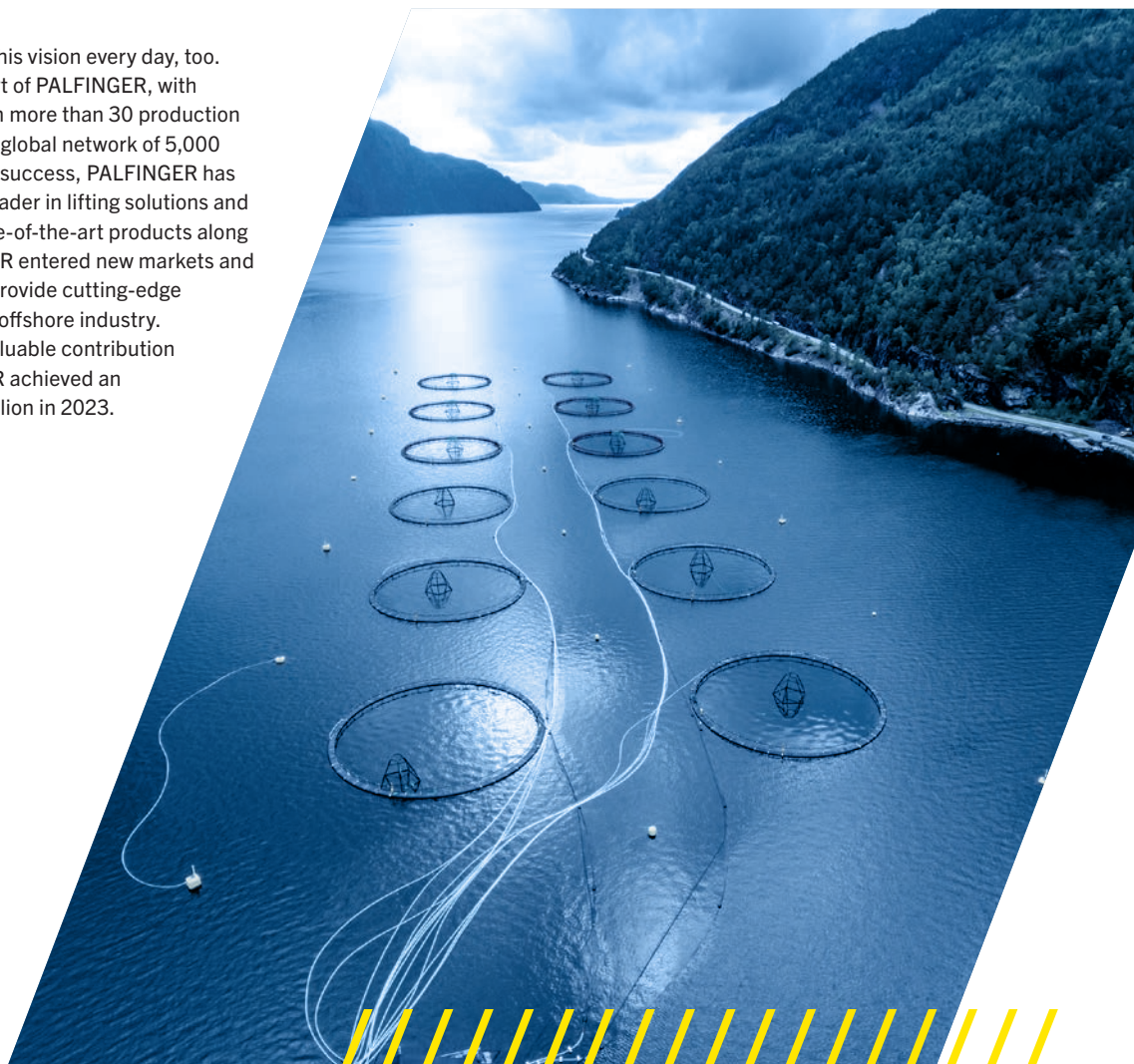
Our pioneering spirit has driven us to constantly grow and evolve – from a small workshop to a crane manufacturer and ultimately to the leading provider of innovative lifting solutions. We have pushed the boundaries for generations, have successfully reinvented ourselves and set standards worldwide. In other words: We have been celebrating the future since 1932.

LIFTING VALUE – CREATING MOMENTUM

This is our vision. It defines what PALFINGER aims to be in the future and is the very essence of why we do what we do now.

PALFINGER MARINE lives by this vision every day, too. The company is an integral part of PALFINGER, with around 12,770 employees, with more than 30 production and assembly locations, and a global network of 5,000 service points. In 90+ years of success, PALFINGER has positioned itself as a market leader in lifting solutions and has introduced numerous state-of-the-art products along the way. Eventually, PALFINGER entered new markets and took root offshore. Today, we provide cutting-edge solutions for the maritime and offshore industry. With PALFINGER MARINE's valuable contribution and stable growth, PALFINGER achieved an overall revenue of EUR 2.45 billion in 2023.

And our journey continues!





PALFINGER STRATEGY 2030

The PALFINGER Strategy 2030 is the route for our vision to become a reality. It is based on two strategic pillars: “Go for Solutions” and “Go Digital”.

GO FOR SOLUTIONS

By 2030, we will be a solution provider that equips our customers with complete solutions, combining physical and digital elements into one unit – thus creating smart and highly networked machines. Step by step, PALFINGER will evolve from a product provider to a solution provider.

For PALFINGER MARINE, “Go for Solutions” means offering our customers complete, integrated marine solutions across all maritime segments.

GO DIGITAL

PALFINGER is continuously digitalizing the entire production and value-added chain. The main goal at the end of the day is to be able to offer customers smart lifting solutions and services that provide increased functionality and added value. In line with this strategic pillar, our integrated marine solutions will be enhanced with assisted, remote, and autonomous control functions for marine applications.

*Together we
are shaping
the future of
our customers’
lifting
solutions –
PALFINGER.*



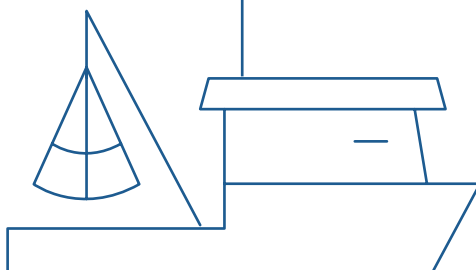
THE FUTURE OF AQUACULTURE

The future of the aquaculture industry looks promising, with continued growth expected to meet the increasing demand for seafood worldwide. Aquaculture is benefiting from technological innovations that enhance efficiency, sustainability, and productivity. Automation and data-driven approaches are also being increasingly integrated into aquaculture operations to optimize production and reduce environmental impact. Overall, the aquaculture industry is characterized by innovation, sustainability, and continued growth as it plays an increasingly important role in meeting the world's growing demand for seafood while minimizing environmental impact.



TYPICAL APPLICATIONS

- **FISH FARMS**
- **SERVICE VESSELS**
- **WORKBOATS**
- **BARGES**
- **LIVE FISH CARRIERS**









SOLUTIONS FOR AQUACULTURE APPLICATIONS

We are proud to play a significant role in shaping the future of the aquaculture industry with our innovative products. As a premier manufacturer of lifting solutions worldwide, PALFINGER MARINE has firmly established itself in the aquaculture market. With decades of experience and a global customer base, we are the market leader for marine cranes in the aquaculture sector. As industry demands continue to rise and product dimensions expand, PALFINGER MARINE consistently adapts to these shifts, continually evolving to deliver tailored solutions to meet diverse needs. Our focus on technological innovation drives us to develop products that enhance efficiency and productivity in aquaculture operations.

EFFICIENT AND RELIABLE LIFTING SOLUTIONS

Based on many years of experience, PALFINGER MARINE has developed a range of cranes that meet the lifting requirements of the aquaculture industry. Typical applications include service vessels, workboats, barges, and live fish carriers.

Having delivered more than 2,500 cranes to the industry worldwide, we are the preferred supplier for marine cranes such as foldable knuckle boom cranes, telescopic boom cranes, knuckle boom cranes and stiff boom cranes.

PALFINGER cranes offer a compact construction and low weight. Thanks to standardized components and intuitive operation, installation and integration are seamless, requiring minimal downtime. Central Remote Control enables the operator to control each crane separately using two joysticks, directly from the bridge.



**Our cranes are characterized by the following features.
Options can be chosen based on individual customer needs.**

FEATURES

- Rack & pinion slewing cylinders as well as endless slewing system
- Classification according to HC2 HD4/S2 EN 12999
- Heel/trim: 5°/2°
- Painting system for marine environment
- Long-life surface treatment
- Corrosion protection according to offshore standards
- Single link and power link system
- Return oil utilization on selected models



OPTIONS

- Crane certification according to selected rules and regulations
- DNV type approval for many models
- CE-compliant overload protection
- Remote control / local control station / standing platform / operator's cabin
- Different painting and coating systems e.g. spray metalizing
- Seastate switches for different operating conditions
- Winch operation with single and/or double line
- Multiple winch system
- Mounting base in various heights
- Special skid base for temporary installations
- Selection of suitable hydraulic power unit in various sizes
- Preparation for vessel supply
- Integrated hydraulic power unit
- Multiple additional auxiliary hydraulic functions
- Lifting of personnel:
 - > via winch
 - > via workman basket attached to boom
- Offshore overload protection: AOPS, MOPS/ELL
- Central greasing system
- Constant tensioning

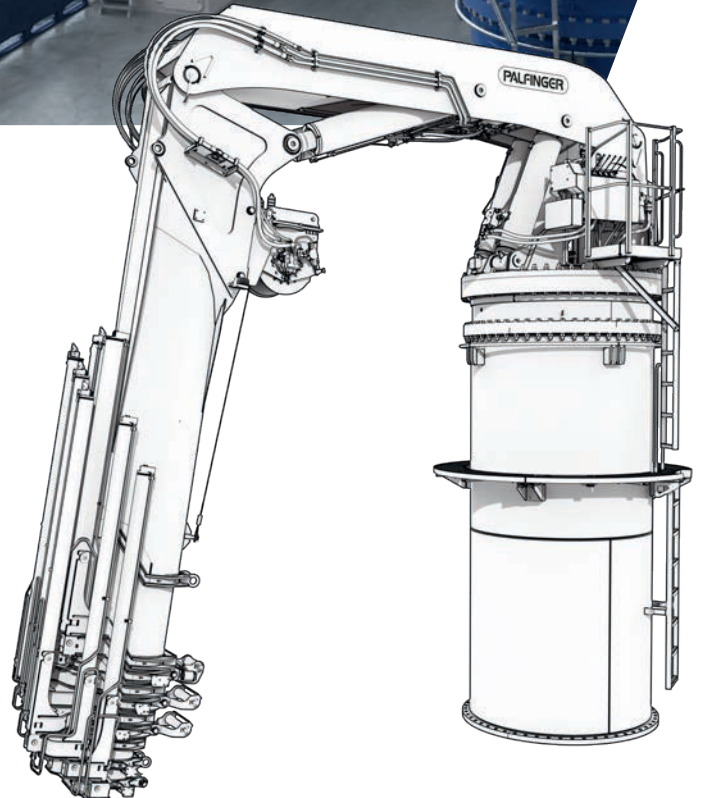


FULLY FOLDABLE KNUCKLE BOOM CRANES

The sophisticated crane geometry and compact design make PALFINGER MARINE's fully foldable knuckle boom cranes a convenient, multifunctional tool for effortless loading, unloading, and especially handling of equipment. Due to their compact design and parking position, they can be easily mounted on any type of vessel, particularly where space is limited. Large fish farming vessels use our cranes to operate their entire fish farms. They can be customized to meet offshore regulations and come with a variety of options and additional features to adapt to any working environment.

HEAVY-DUTY FOLDABLE KNUCKLE BOOM CRANES

PALFINGER MARINE's heavy-duty foldable knuckle boom cranes are specially designed for heavy lifting work and are engineered to cover a wide working range, from narrow to very high outreach. Despite their high performance and extensive outreach, they take up minimal deck space thanks to their compact parking position.





TELESCOPIC BOOM CRANES

PALFINGER MARINE's telescopic boom cranes are highly powerful yet flexible and compact solutions. The telescopic boom system ensures a flexible and wide operating radius while allowing the crane to be parked in a compact position. Low weight and a less complex design make the telescopic boom crane a maintenance-friendly product. Our cranes are supplied according to customer requirements with numerous optional features. A particularly interesting option is the multiple winch system. This makes efficient, versatile, and precise handling of multiple lifting and positioning tasks possible.

KNUCKLE BOOM CRANES

PALFINGER MARINE's knuckle boom cranes are designed to lift heavy loads with the jib extended and to provide the operator with great flexibility during lifting operations. Thanks to their outstanding flexibility in radius, our knuckle boom cranes allow for easy and safe loading and unloading of vessels, as well as handling of various freight and equipment. Low in weight and compact when parked, our knuckle boom cranes are sleek and powerful tools for all kinds of working environments.



© ASENAV Shipyards



© ASENAV Shipyards



STIFF BOOM CRANES

PALFINGER MARINE's stiff-boom cranes are a great choice for safe, fast, and flexible material handling and loading. With their simple architecture, based on a pedestal slewing design with hydraulic cylinder luffing, these cranes are exceptionally low-maintenance. By combining minimum complexity and optimized weight with high-quality components and special corrosion protection, stiff boom cranes are a solid and reliable asset for any working environment. Our stiff boom cranes can be delivered with a broad range of certifications and numerous options. They are typically used in docks, fixed installations, and harbors.



PK41002 PALFINGER
SWL 10200KG - 20.8M SWL 7500KG - 4.5M





*Watch our
marine cranes
in action.*



LOCAL SERVICE AT GLOBAL AQUACULTURE HOTSPOTS

PALFINGER MARINE convinces with a high level of availability of spare parts and service due to the company's strong global service network. Customers can reach out to local service stations based in the world's biggest and most important aquaculture areas, such as Norway, Canada, Great Britain, Chile, Croatia, Tasmania, the Faroe Islands, and more. Highly qualified PALFINGER MARINE service engineers as well as reliable and longstanding service partners are dedicated to fulfilling even the most individual customer requirements.





INSPECTION AND
MAINTENANCE

SPARE PARTS AND
REPAIR

REFURBISHMENT AND
UPGRADES



AGREEMENTS

TRAINING

GLOBAL SERVICE NETWORK

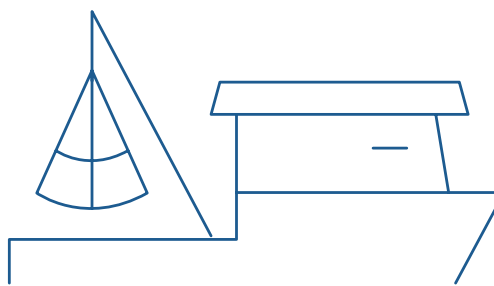
PALFINGER MARINE is a reliable and professional partner in every situation, from telephone assistance to on-time delivery and instant on-site support. A global network of specially trained engineers and experts with extensive know-how and experience provides comprehensive, customized, and reliable service solutions to customers worldwide.





PALFINGER WORLDWIDE

📍 HQ SALZBURG, AUSTRIA
 📍 SALES AND SERVICE LOCATIONS
 🏭 ASSEMBLY AND PRODUCTION SITES



Palfinger Marine GmbH
F.-W.-Scherer-Strasse 24
5020 Salzburg | Austria

palfingermarine.com/contact

