

INTERLIFT



PARTS MANUAL

ILK 20, 2000 lbs. Capacity

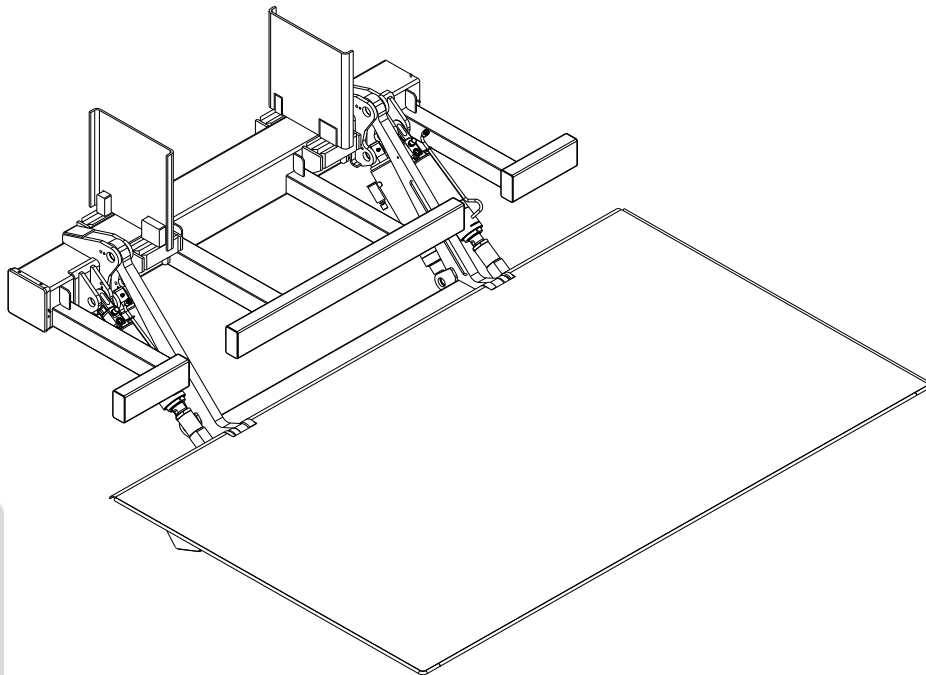
ILK 22, 2200 lbs. Capacity

ILK 33, 3300 lbs. Capacity

ILK 44, 4400 lbs. Capacity

ILK 55, 5500 lbs. Capacity

ILK 66, 6600 lbs. Capacity



ILK 20/22/33/44/55/66 Parts Manual
Document Part Number: 90-0414-000 / 14-683_90-00_00-00
ECN-M1804, Rev. 2.0, 04-11-25
Copyright © 2023 Palfinger Interlift, LLC.
All rights reserved.

Information in this document is subject to change without notice.
Visit www.palfinger.com for up to date information and notifications.

If you received this product with damaged or missing parts,
contact INTERLIFT Liftgates at (888)-774-5844

Parts Order/Inquiries
liftgateparts@palfinger.com

Technical Support
technicalapplications@palfinger.com



BY **PALFINGER**

15939 Piuma Ave.
Cerritos, CA 90703
Tel (888) 774-5844
Fax (562) 924-8318



BY **PALFINGER**

572 Whitehead Road.
Trenton, NJ 08619
Tel (609) 587-4200
Fax (609) 587-4201

ORDERING SPARE PARTS, REPAIRS

TYPE OF WARRANTY: PARTS REPLACEMENT ONLY

TERM OF WARRANTY: 1 YEAR FROM DATE OF PURCHASE

SPARE PARTS

To guarantee quick delivery, please be sure to include the following when placing orders.

1. Liftgate model & serial number
2. Designation and number of the part in accordance with the spare parts list
3. Designation and number marked on the individual component (if available)

ORDERING SPARE PARTS

1. For single order \$25.00 minimum in parts. This excludes Level 5 Distributors.
2. All parts going parcel post will be shipped by ground, freight free, when total parts order exceeds \$1750.00.
3. Call parts department toll free 888-774-5844 West Coast Option 1 and East Coast Option 2
4. All UPS shipments received by 2:30 p.m. (Pacific Standard Time) will ship the same day.

RETURN OF SPARE PARTS

1. To receive credit on returned parts, the original purchase date must be within 6 months.
2. Return must meet or exceed \$50.00 to be accepted.
3. Parts must be received in **new condition**. Any part received not in new condition will be subject to inspection and possible refusal if a part cannot be brought back to new condition. The cost of rework will be deducted from the credit amount.
4. All parts being returned must have **R.M.A.** (Return Merchandise Authorization number), a copy of the original invoice, and a detailed packing list of returned parts. All returned parts are subject to a 20% restocking charge.
5. **R.M.A.** numbers will be issued by the parts department and are valid for 30 days. All returned **R.M.A.** parts must be returned to INTERLIFT by prepaid freight or by call tag authorized by INTERLIFT.

ALL INTERLIFT PARTS ARE COVERED FOR ONE YEAR FROM THE DATE OF PURCHASE AGAINST DEFECTS IN MATERIAL AND WORKMANSHIP.

INTERLIFT PART RETURN REQUEST

For quality control purposes and to be able to receive credit from our Vendors, INTERLIFT requires the return of some types of parts for credit to be given, here are some examples but not limited to:

- Hydraulic cylinders
- Structural components
- Pump and Motor Assemblies
- PC Boards

If requested parts are not returned, no credit is given.

Important Liftgate Information:

1. Liftgate serial information can be found on the rear face of the mount tube. Please have the liftgate information ready when ordering parts to assure parts are replaced accurately.

Serial Number Tag

PALFINGER		
(888) 774-5844	CERRITOS, CA. TRENTON, N.J.	
Model	Serial No.	Date
<input type="text"/>	<input type="text"/>	<input type="text"/>

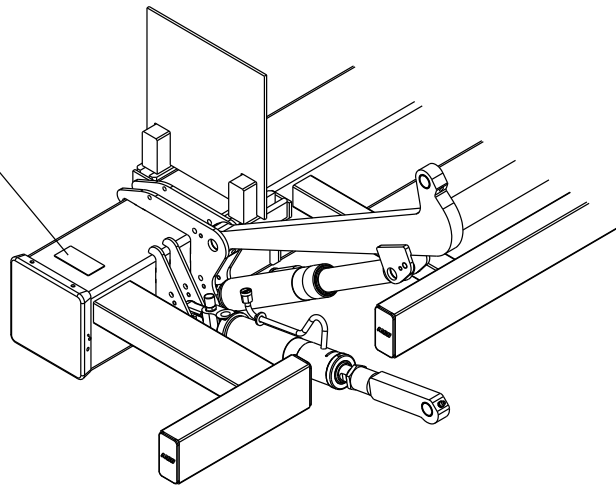


Table of Contents

1 Frame 6

2 Mount Plates 8

3 Pins & Busings 10

4 Lift Cylinder 12

5 Tilt Cylinder..... 13

6 Steel Platform 14

7 Aluminum Platform – AluPlan 16

8 Aluminum Platform – AluStar 18

9 PML/Kolas Aluminum Platform 20

10 Cart Stops - Aluminum Platforms..... 22

11 Hydraulic Hoses 23

 11.1 Hydraulic Hoses – ILK 20 (Discontinued) 23

 11.2 Hydraulic Hoses – ILK 22..... 24

 11.3 Hydraulic Hoses – ILK 33/44/55/66 25

12 Pump and Motor 26

 12.1 Pump and Motor – ILK 20 (Discontinued) 26

 12.2 Pump and Motor – ILK 22/33/44/55/66..... 27

 12.3 Bosch Pump and Motor (Discontinued)..... 28

13 Mounting Fixture 29

14 Bridge Kit 29

15 Side Rails – Platform 30

16 Forklift Lock Kit 30

17 Flip Up Door Kits 31

18 Full Door Seal Kit..... 32

19 Battery Box Kits..... 34

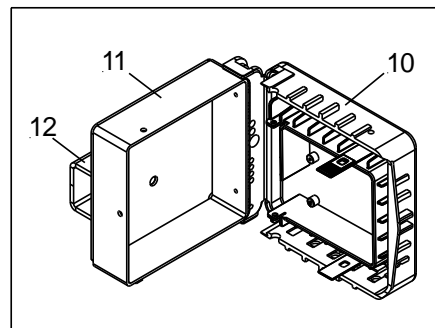
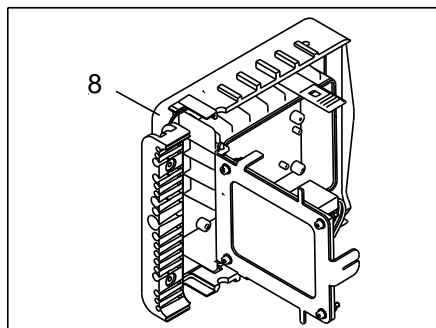
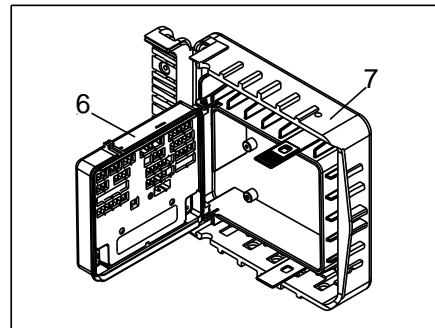
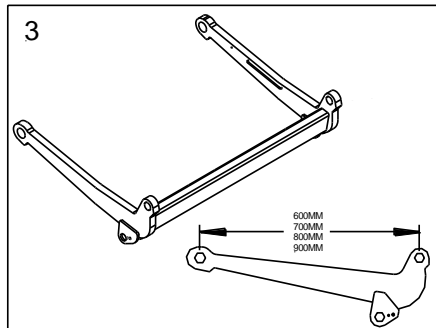
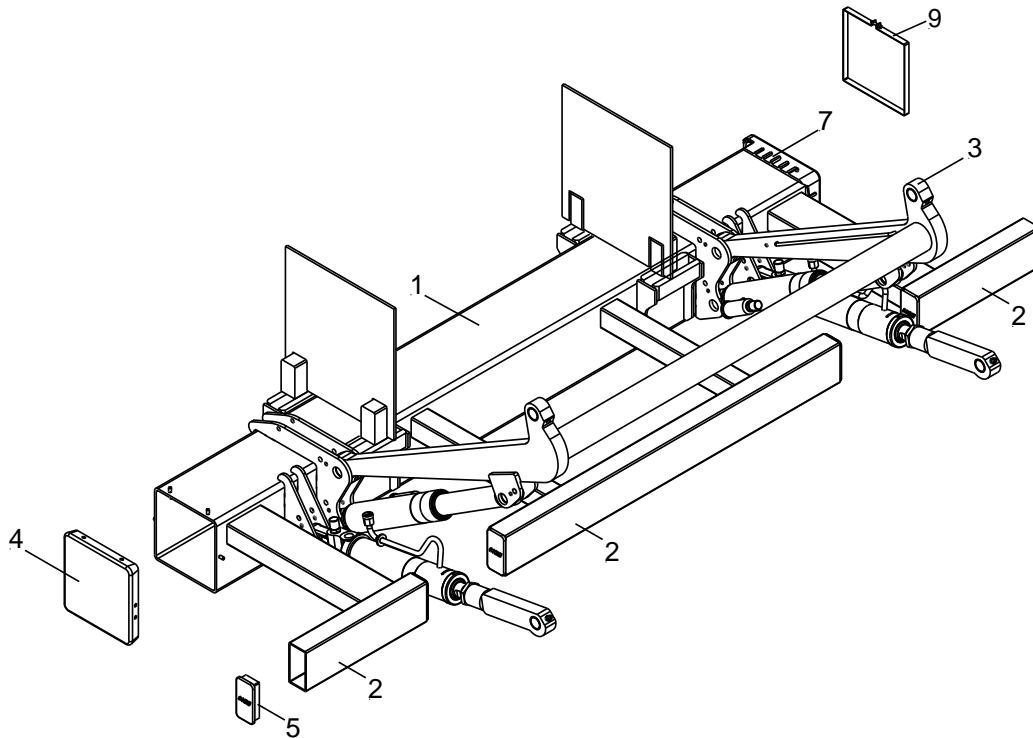
20 Trailer/Truck Charge Kits..... 36

21 Control Box System 38

22 Controls..... 40

23 Decals..... 41

1 **Frame**

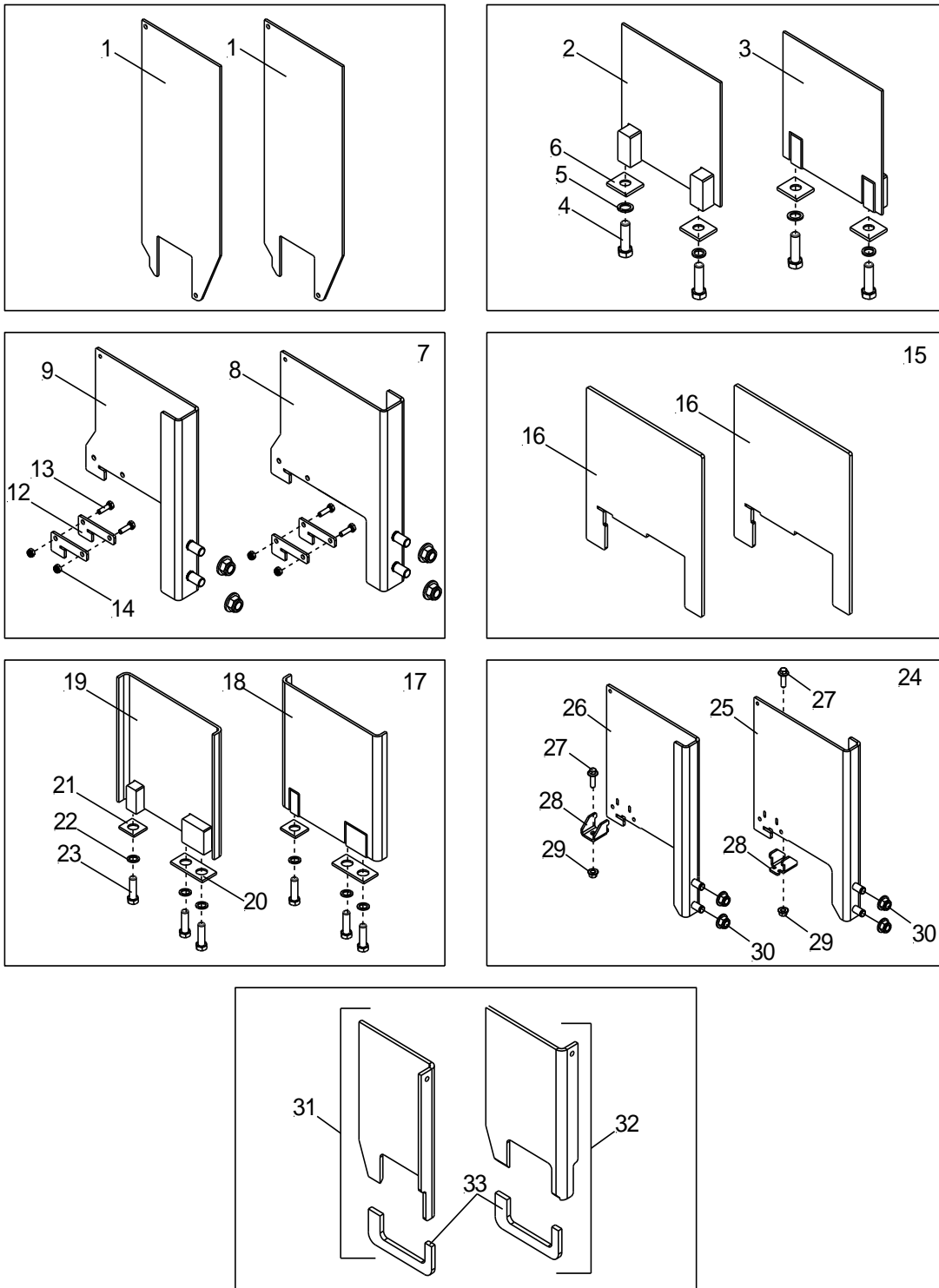


1 – FRAME								
NO.	DESCRIPTION	ILK 20	ILK 22	ILK 33	ILK 44	ILK 55	ILK 66	QTY.
1	Mount Frame, 600mm Liftarm	P-2005158	--	--	--	--	--	1
	Mount Frame, 700mm Liftarm	--	P-2016551	P-2027719	P-2006020	P-2006020	--	1
	Mount Frame, 800mm Lift Arm	--	--	ML2027721	ML2006021	ML2006021	--	1
	Mount Frame, 900mm Lift Arm	--	--	ML2027722	P-1410267	P-1410267	ML1331359	1
2	Bumper, 700mm Liftarm	--	P-2032609	ML2027714	ML2021948	ML2021948	--	1
	Bumper, 800mm Liftarm	--	--	ML2027717	ML2021947	ML2021947	--	1
	Bumper, 900mm Liftarm	--	--	ML2027718	--	--	ML2022033	1
3	Lift Arm Assembly, 600mm	P-2005025	--	--	--	--	--	1
	Lift Arm Assembly, 700mm	--	P-2005234	P-2005019	P-1410277	P-1410277	--	1
	Lift Arm Assembly, 800mm*	--	--	P-2005449	P-2020747	P-2020747	--	1
	Lift Arm Assembly, 800mm**	--	--	--	P-1410279	P-1410279	--	1
	Lift Arm Assembly, 900mm	--	--	P-2005704	--	--	ML2005121	1
	Lift Arm Assembly, 1000mm	--	--	--	P-1410285	P-1410285	--	1
4	Rubber Cover, 7"X7"	--	P-68483018	P-68483018	P-68483018	P-68483018	P-68483018	1
5	Cap, Bumper	--	P-2013674	P-71019233	P-71019233	P-71019233	P-71019233	1
6	Control M-Board (PCB), Plus	--	P-2029091	P-2029091	P-2029091	P-2029091	P-2029091	1
7	Control M-Board Cover	--	P-2029906	P-2029906	P-2029906	P-2029906	P-2029906	1
8	Rubber Cover, Bracket,	--	P-2036200	P-2036200	P-2036200	P-2036200	P-2036200	1
9	Clamp, Control Board Cover	--	EZ7230	EZ7230	EZ7230	EZ7230	EZ7230	1
10	Cover For Control System	P-2029906	--	--	--	--	--	1
11	Steel Box For Control System	P-2010174	--	--	--	--	--	1
12	Bracket For Steel Box	P-2010226	--	--	--	--	--	1
13	Strain Relief, Steel	P-69042309	P-69042309	P-69042309	P-69042309	P-69042309	ON REQUEST	

*Short Lift Cylinder

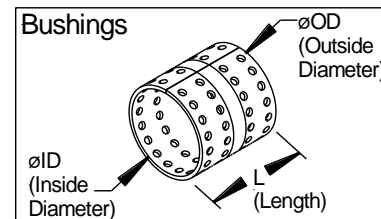
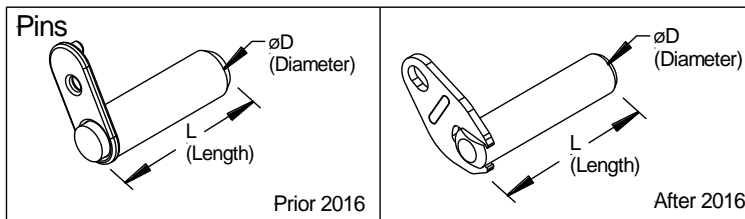
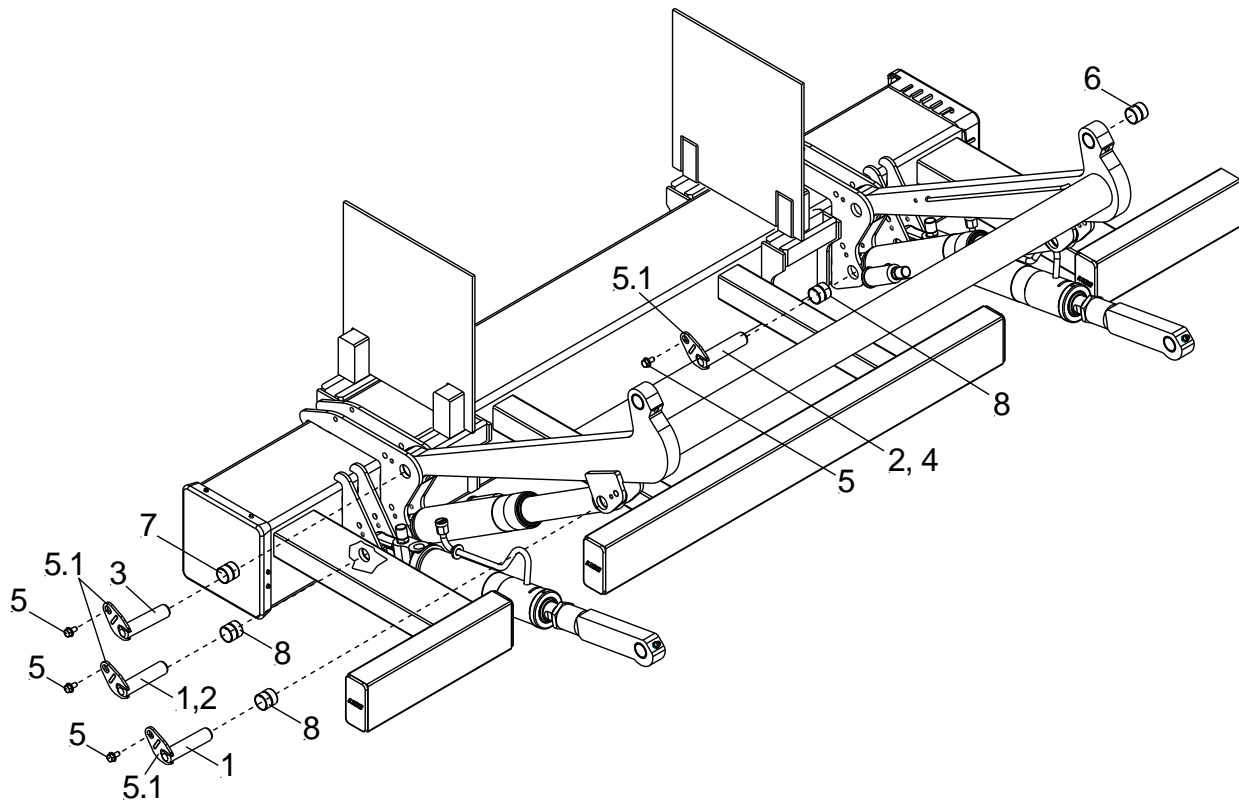
**Long Lift Cylinder

2 Mount Plates



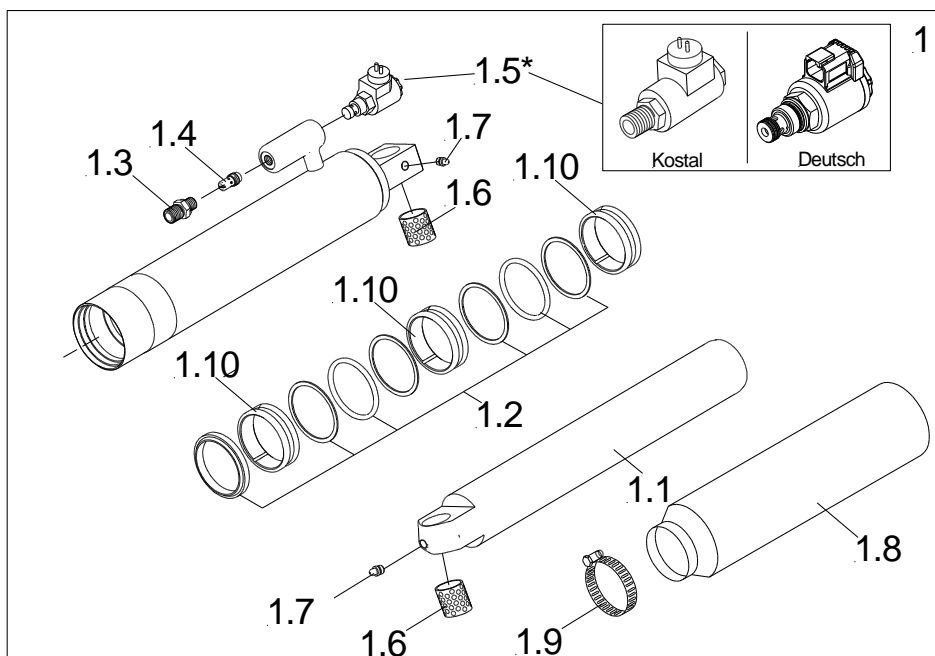
2 – MOUNT PLATES						
NO.	DESCRIPTION	ILK 20	ILK 22	ILK 33	ILK 44/55	ILK 66
1	Mount Plate, Left & Right Side, ILK 20	P-1348509	--	--	--	--
2	Mount Plate, Left Side	--	P-2002620	--	--	--
3	Mount Plate, Curb Side	--	P-2002620	--	--	--
4	Hex Head Cap Screw, M20x80mm, Din 931, Gr 10.9	--	P-2045984	--	--	--
5	Washer, Nordlock, 30,7mmx21,4mmx3,4mm	--	EK1535	--	--	--
6	Washer, Square, Single Bolt	--	P-2002337	--	--	--
7	Kit, Mount Plates, ILK 33, Standard	--	--	P-2027034	--	--
8	Mount Plate, Right Side	--	--	ML2027031	--	--
9	Mount Plate, Left Side	--	--	ML2027033	--	--
10	Kit, Stud, Threaded, & Nut, Flange, M20x1.5	--	--	P-2026216	--	--
11	Kit, Mount Plate, Support Brackets	--	--	P-2030247	--	--
12	Support Bracket	--	--	P-2027078	--	--
13	Bolt, M10x35mm	--	--	P-66125432	--	--
14	Nut, M10	--	--	P-1104730	--	--
15	Kit, Mount Plates, Weld-On, 42" Chassis (Optional)	--	--	06-0416-006	--	--
16	Mount Plate, Weld-On, 42" Vehicle Chassis	--	--	06-0416-005	--	--
17	Kit, Mount Plate (Discontinued 2019)	--	--	--	2044996	--
18	Mount Plate, Right Side	--	--	--	2000900	--
19	Mount Plate, Left Side	--	--	--	2000899	--
20	Washer, Square, Dual Bolt	--	--	--	2002338	--
21	Washer, Square, Single Bolt	--	--	--	2002337	--
22	Washer, Nordlock, 30,7mmx21,4mmx3,4mm	--	--	--	EK1535	--
23	Hex Head Cap Screw, M20x2.5x100mm, Din 931 Gr	--	--	--	ES 684	--
24	Mount Plate Kit (2019-Present)	--	--	--	2026295	--
25	Mount Plate, Right Side	--	--	--	2025191	--
26	Mount Plate, Left Side	--	--	--	2025194	--
27	Hex Head Cap Screw, M14x1.5x45mm, Din 6921,	--	--	--	ES1588	--
28	Clamp	--	--	--	2025085	--
29	Nut, M14x1.5, Din 6927, St 10.9	--	--	--	EM 711	--
30	Nut, M20x1.5, St 10	--	--	--	P-2025235	--
31	Kit, Mount Plate And Brace, Left Side	--	--	--	--	P-2013775
32	Kit, Mount Plate And Brace, Right Side	--	--	--	--	P-2013776
33	Mount Plate Brace	--	--	--	--	P-2015315

3 Pins & Bushings



3 – PINS & BUSHINGS								
NO.	DESCRIPTION	ILK 20	ILK 22	ILK 33	ILK 44	ILK 55	ILK 66	QTY.
PINS								
1	Pin, Liftarm/Lift Cyl-Tilt Cyl. (Prior 2016)	P-1346229	P-1346229	P-1326307	P-1350394	P-1350394	P-1331371	1
	Pin, Liftarm/Lift Cylinder-Tilt Cyl.	--	2041247	2039535	2040594	2040594	2039108	1
2	Pin, Lift Cyl./Mount Tube (Prior 2016)	P-1346229	P-1346229	P-1326307	P-1350394	P-1350394	P-1329586	1
	Pin, Lift Cyl./Mount Tube	--	2041247	2039536	2039099	2039099	2039110	1
3	Pin, Liftarm/Mount Tube(Prior 2016)	P-1346229	P-1346229	P-1350394	P-1331371	P-1331371	P-1331380	1
	Pin, Liftarm/Mount Tube	--	2041247	2039099	2039108	2039108	2039118	1
4	Pin, Mount Tube/Cyl (700mm) Prior	--	--	--	P-1403348	P-1403348	--	1
	Pin, Mount Tube/Cyl (700mm)	--	--	--	2039105	2039105	--	1
5	Bolt, Pin Lock, M8x16 (Prior 2016)	--	ES1451	ES1451	ES1451	ES1451	ES1451	1
	Bolt, Pin Lock, M12x16	--	--	2039050	2039050	2039050	2039050	1
	Bolt, Pin Lock, M12x12	--	2039049	--	--	--	--	1
5.1	Pin, Plate	--	2028340	2027558	2027558	2027558	2027558	1
BUSHINGS								
6	Bushing, Liftarm/Platform	ELG1063	ELG1063	ELG1036	ELG1033	ELG1033	ELG1128	1
7	Bushing, Liftarm/Liftcylinder	ELG1063	ELG1063	ELG1037	ELG1128	ELG1128	ELG1127	1
8	Bushing, Liftarm/Mount Tube	ELG1063	ELG1063	ELG1039	ELG1033	ELG1033	ELG1128	1
KITS								
9	Pin Kits (Prior 2016)	P-2021586	P-2021586	P-2021585	P-2021584	P-2021583	P-2021582	1
10	Bushing Kits	P-1407086	P-1407086	P-1407084	P-1407088	P-1407088	P-1407087	1

4 Lift Cylinder



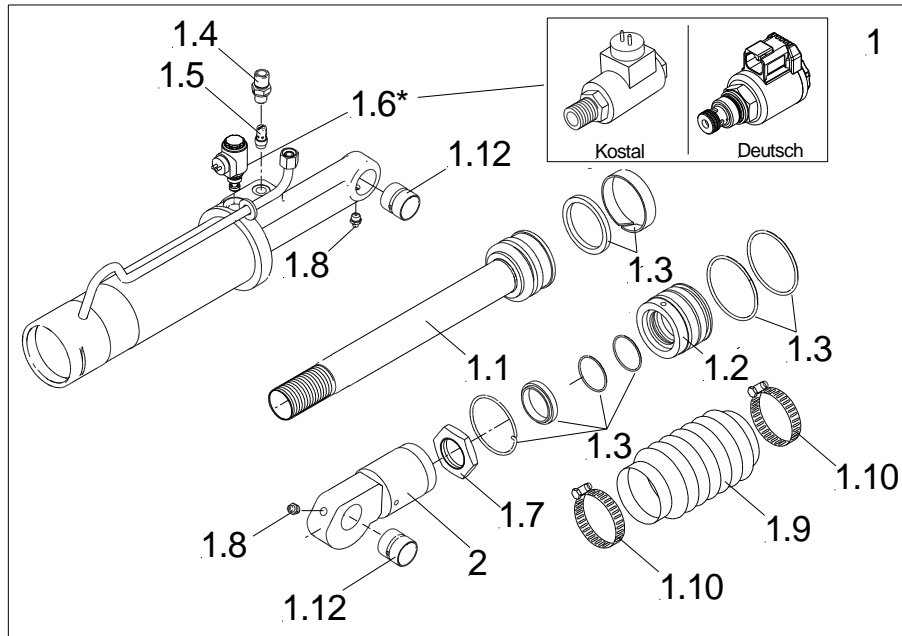
4 - CYLINDERS								
LIFT CYLINDER PISTON ROD DIAMETER= 45MM(Ø1.75"), TILT CYLINDER DIAMETER=30MM (Ø1.25")								
NO.	DESCRIPTION	ILK 20	ILK 22	ILK 33	ILK 44	ILK 55	ILK 66	QTY.
1	Lift Cylinder, 600mm Lift Arm	P-1346953	--	--	--	--	--	1
	Lift Cylinder, 700mm Lift Arm	--	P-1346953	P-1343854	P-1402453	P-1402453	--	1
	Lift Cylinder, 800mm Lift Arm (Before 2009)	--	--	P-1343854	P-1350167	P-1350167	--	1
	Lift Cylinder, 800mm Lift Arm (After 2009)	--	--	P-1343854	P-2004093	P-2004093	--	1
	Lift Cylinder, 900mm Lift Arm	--	--	--	P-1350167	P-1350167	P-1325196	1
	Lift Cylinder, 1000mm Lift Arm	--	--	--	P-1350167	P-1350167	--	1
1.1	Piston Rod, 700mm Lift Arm	P-1403798	P-1403798	P-1401503	P-1404499	P-1404499	--	1
	Piston Rod, 800mm Lift Arm	--	--	P-1401503	P-2004096	P-2004096	--	1
	Piston Rod, 900mm Lift Arm	--	--	P-1401503	P-1403799	P-1403799	P-1403800	1
	Piston Rod, 1000mm Lift Arm	--	--	P-1401503	P-1403799	P-1403799	--	1
1.2	Rebuild Kit (600mm-700mm Liftarm)	P-2021846	P-2021846	P-2005323	P-2021847	P-2021847	--	1
	Rebuild Kit (800-1000 Lift Arm)	--	--	P-2005323	P-2021847	P-2021847	P-2021845	1
1.3	Adapter Hose Fitting	P-1232140	P-1232140	P-1188263	P-1188263	P-1188263	P-1188263	1
1.4	Restrictor Control Valve (700mm)	P-1355899	P-1355899	P-1355942	P-1325551	P-1325551	--	1
	Restrictor Control Valve (800-1000mm)	--	--	P-1355942	P-1363828	P-1363828	P-1325551	1
1.5*	Release Valve, 12V	P-67282345	P-67282345	P-67282345	P-67282345	P-67282345	P-67282345	1
	Valve Solenoid, 12V, Single Locking, Deutsch (After 12/2021)	ML2054424	ML2054424	ML2054424	ML2054424	ML2054424	ML2054424	1
1.6	Bushing, 25mmx29mmx31mm	ELG1063	ELG1063	--	--	--	--	1
	Bushing, 28mmx32mmx31mm	--	--	ELG1039	--	--	--	1
	Bushing, 36mmx40mmx41mm	--	--	--	ELG1033	ELG1033	--	1
	Bushing, 40mmx44mmx41mm	--	--	--	--	--	ELG1128	1
1.7	Grease Zerk, M10x1	P-2019653	P-2019653	P-2019653	P-2019653	P-2019653	P-1191680	1
1.8	Protective Sleeve	P-1134658	P-1134658	P-1099010	P-1098362	P-1098362	--	1
1.9	Clamp	P-68430828	P-68430828	P-68430828	P-68734258	P-68734258	--	1
1.10	Guide Ring	P-1134649	P-1134649	--	--	--	--	1

*Items 1 and 2 do not include Items 1.5 and 2.6 (Release Valve). Release Valve is sold separately.

Palfinger Interlift, LLC.
 15939 Piuma Ave, Cerritos, CA 90703
 Tel: (888) 774-5844, Fax: (562) 924-8318

Palfinger Interlift, LLC.
 572 Whitehead Road, Trenton, NJ 08619
 Tel: (609) 587-4200, Fax: (609) 587-4201

5 Tilt Cylinder



5 - CYLINDERS								
LIFT CYLINDER PISTON ROD DIAMETER= 45MM(ø1.75"), TILT CYLINDER DIAMETER=30MM (ø1.25")								
NO.	DESCRIPTION	ILK 20	ILK 22	ILK 33	ILK 44	ILK 55	ILK 66	QTY.
1	Tilt Cylinder, 600mm Liftarm	P-1402736	--	--	--	--	--	1
	Tilt Cylinder, 700mm Liftarm	P-1402740	P-1402740	P-1366286	P-1404498	P-1404498	--	1
	Tilt Cylinder, 800mm Liftarm	--	--	P-1366295	P-1403789	P-1403789	--	1
	Tilt Cylinder, 900mm Liftarm	--	--	P-1366302	P-1403790	P-1403790	P-2015181	1
	Tilt Cylinder, 1000mm Liftarm	--	--	--	P-1403791	P-1403791	--	1
1.1	Piston Rod, (Tilt Cylinder)	P-1410872	P-1410872	P-2000878	P-1410866	P-1410866	P-1408445	1
1.2	End Plug	P-1137235	P-1137235	P-68274001	P-68813557	P-68813557	P-1324920	1
1.3	Kit, Rebuild, Tilt Cylinder	P-1330665	P-1330665	P-1330674	P-1330683	P-1330683	P-1404524	1
1.4	Adaptor / Hose Fitting	EA6236	EA6236	EA6236	EA6236	EA6236	EA6236	1
1.5	Restrictor Control Valve	P-1355899	P-1355899	P-1355942	P-1325551	P-1325551	P-1346112	1
1.6*	Release Valve, 12V	P-67282345	P-67282345	P-67282345	P-67282345	P-67282345	P-67282345	1
	Valve Solenoid, 12V, Single Locking, Deutsch (After 12/2021)	ML2054424	ML2054424	ML2054424	ML2054424	ML2054424	ML2054424	
1.7	Lock Nut For Tilt Cylinder	P-67271785	P-67271785	P-67265408	P-71597563	P-71597563	P-1324957	1
1.8	Grease Zerk, M10x1	P-2019653	P-2019653	P-2019653	P-2019653	P-2019653	P-1284493	1
1.9	Rubber Bellows	P-2027073	P-2027073	P-67259238	P-68724546	P-68724546	--	1
1.10	Clamp	P-68430828	P-68430828	P-68430828	P-68430828	P-68430828	--	1
1.11	Red Cap	P-1191680	P-1191680	P-1191680	P-1191680	P-1191680	P-1191680	1
1.12	Bushing, 25mmx29mmx31mm	ELG1063	ELG1063	--	--	--	--	1
	Bushing, 28mmx32mmx31mm	--	--	ELG1039	--	--	--	1
	Bushing, 36mmx40mmx41mm	--	--	--	ELG1033	ELG1033	--	1
	Bushing, 40mmx44mmx41mm	--	--	--	--	--	ELG1128	1
2	Adjusting Head, 600mm Liftarm	P-1348680	--	--	--	--	--	1
	Adjusting Head, 700mm Liftarm	--	P-1346999	P-1355064	P-1402880	P-1402880	--	1
	Adjusting Head, 800mm Liftarm	--	--	P-2029585	P-1350050	P-1350050	--	1
	Adjusting Head, 900mm Liftarm	--	--	P-1343970	P-1368084	P-1368084	P-1408433	1
	Adjusting Head, 1000mm Liftarm	--	--	--	P-1368299	P-1368299	--	1

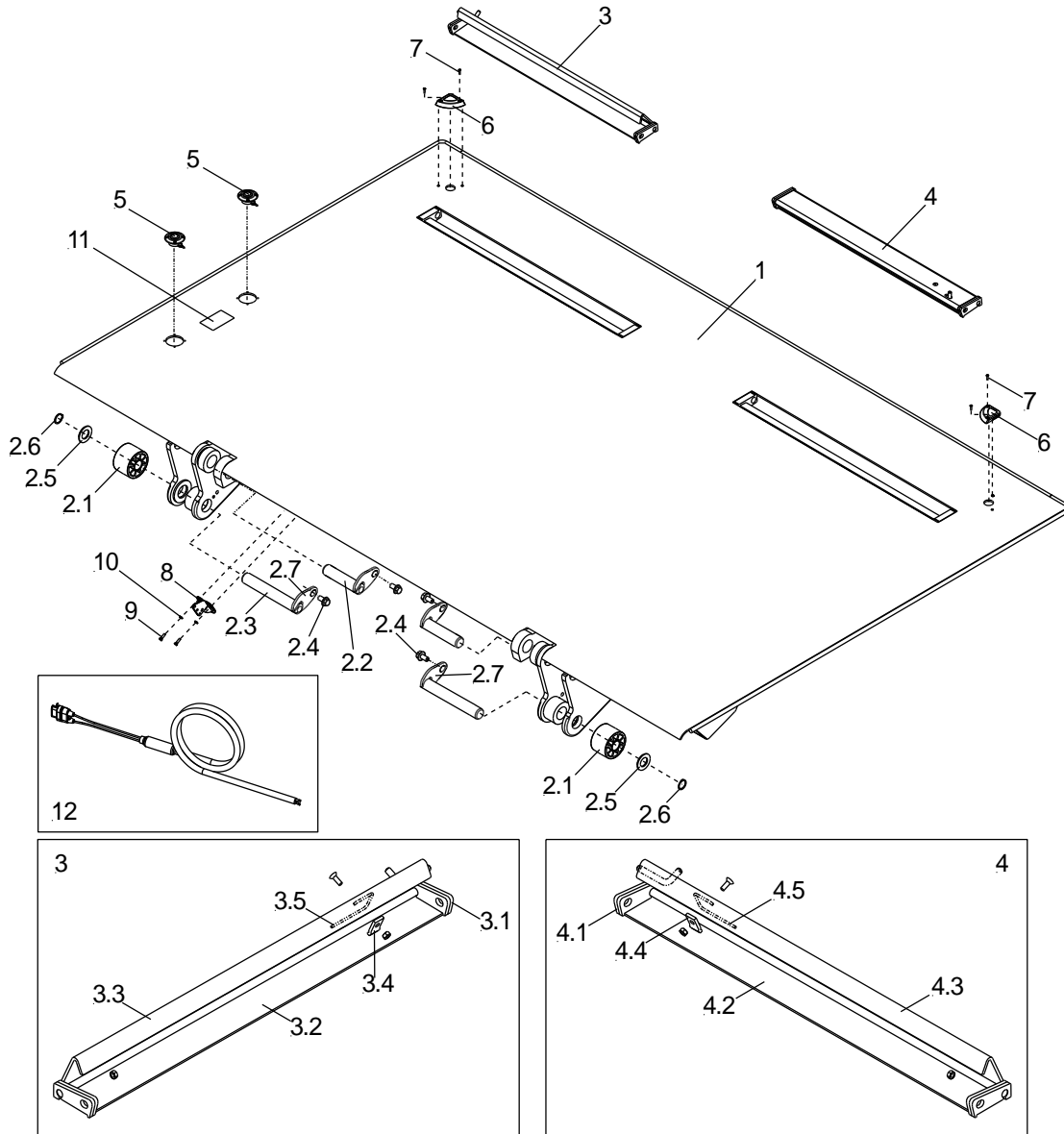
*Items 1 and 2 do not include Items 1.5 and 2.6 (Release Valve). Release Valve is sold separately.

Palfinger Interlift, LLC.
 15939 Piuma Ave, Cerritos, CA 90703
 Tel: (888) 774-5844, Fax: (562) 924-8318

Palfinger Interlift, LLC.
 572 Whitehead Road, Trenton, NJ 08619
 Tel: (609) 587-4200, Fax: (609) 587-4201

NOTES

6 Steel Platform

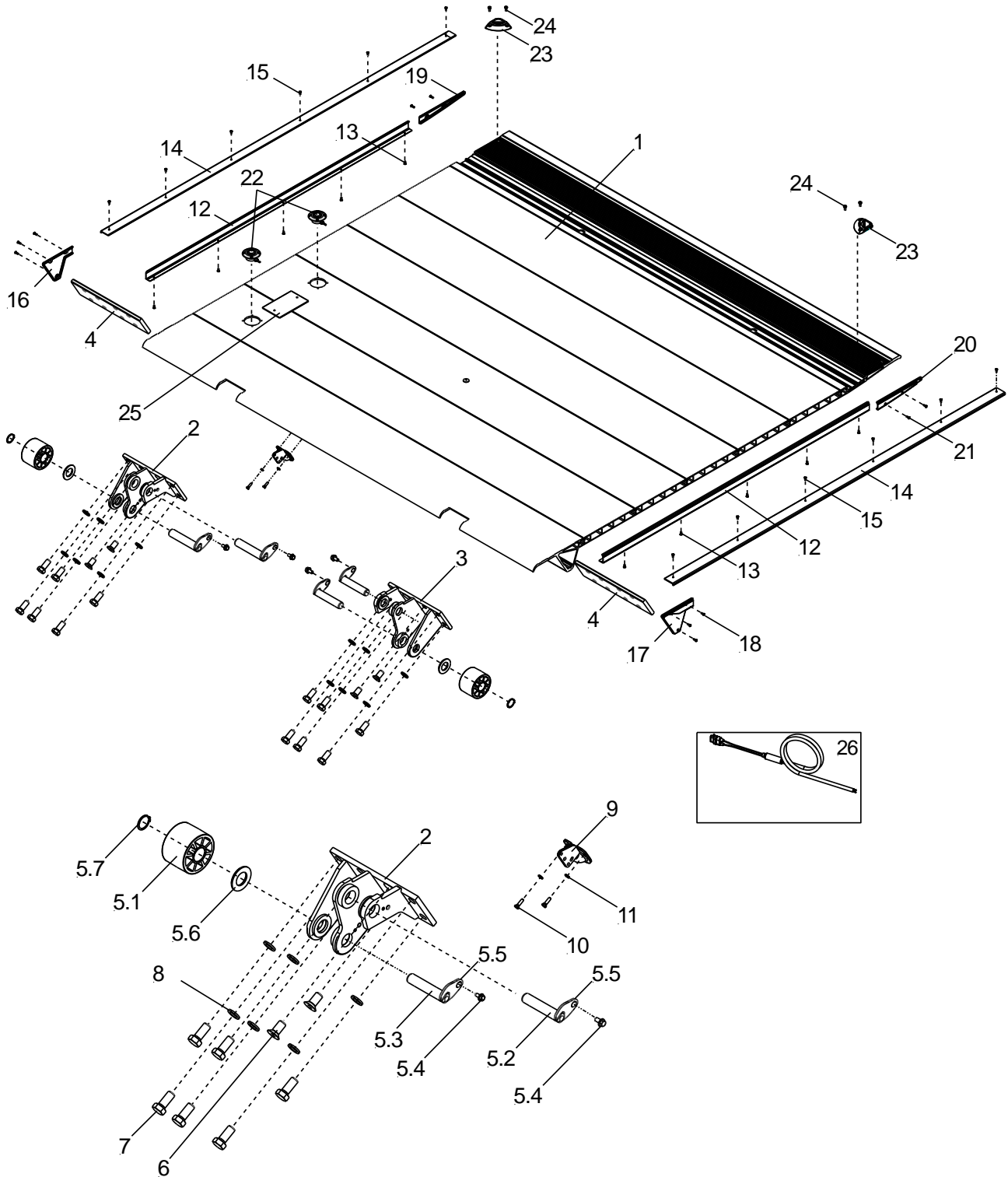


6 – STEEL PLATFORM							
NO.	DESCRIPTION	ILK 20	ILK 22	ILK 33	ILK 44	ILK 55	ILK 66
1	Platform 48"X94" No Cart Stops	ON REQUEST	4P2248	4P3348	4P4448	N/A	N/A
	Platform 48"X94" With Cart Stops	N/A	N/A	ON REQUEST	ON REQUEST	N/A	N/A
	Platform 60"X94" No Cart Stops	N/A	4P2260ATHL	4P3360	4P4460	2038750	N/A
	Platform 60"X94" With Cart Stops	N/A	N/A	ON REQUEST	ON REQUEST	2038746	N/A
	Platform 72"X94" No Cart Stops	N/A	N/A	4P3372	4P4472	2038751	4P6672
	Platform 72"X94" With Cart Stops	N/A	N/A	ON REQUEST	4P4472A-W/CS	2038747	ON REQUEST
	Platform 84"X94" No Cart Stops	N/A	N/A	4P3384	4P4484	2038752	4P6684
	Platform 84"X94" With Cart Stops	N/A	N/A	4P3384A-W/CS	4P4484A-W/CS		ON REQUEST
2	Kit, Roller	N/A	2041066	2039391	2039126	2039126	P-1348000
2.1	Roller, Delrin	N/A	P-1217715	P-1115195	P-1111393	P-1111393	P-1332089
2.2	Pin, Platform, Liftarm, 25x124mm (Prior '16)	P-1346238	P-1346238	--	--	--	--
	Pin, Platform, Liftarm, 25x128mm (Current)	2040319	2040319	--	--	--	--
	Pin, Platform, Liftarm, 28x129mm (Prior '16)	--	--	P-1335280	--	--	--
	Pin, Platform, Liftarm, 28x130mm (Current)	--	--	2039538	--	--	--
	Pin, Platform, Liftarm, 36x130mm (Prior '16)	--	--	--	P-1350858	P-1350858	--
	Pin, Platform, Liftarm, 36x135mm (Current)	--	--	--	2039101	2039101	--
	Pin, Platform, Liftarm, 40x155mm (Prior '16)	--	--	--	--	--	P-1329586
	Pin, Platform, Liftarm, 40x155mm (Current)	--	--	--	--	--	2039110
2.3	Pin, Platform, Tilt, 25x124mm (Prior '16)	P-1346238	--	--	--	--	--
	Pin, Platform, Tilt, 25x128mm (Current)	2040319	--	--	--	--	--
	Pin, Platform, Tilt, 25x179mm (Prior '16)	--	P-1400928	--	--	--	--
	Pin, Platform, Tilt, 25x179mm (Current)	--	2041064	--	--	--	--
	Pin, Platform, Tilt, 28x180mm (Prior '16)	--	--	P-1354169	--	--	--
	Pin, Platform, Tilt, 28x182mm (Current)	--	--	2036460	--	--	--
	Pin, Platform, Tilt, 36x208mm (Prior '16)	--	--	--	P-1358176	P-1358176	--
	Pin, Platform, Tilt, 36x210mm (Current)	--	--	--	2039105	2039105	--
	Pin, Platform, Tilt, 40x195mm (Prior '16)	--	--	--	--	--	P-1329595
	Pin, Platform, Tilt, 40x200mm (Current)	--	--	--	--	--	2036464
2.4	Bolt, Pin Lock, M12x16	2039050	2039050	2039050	2039050	2039050	2039050
2.5	Washer, Flat	N/A	P-2001508	EK1090	P-1111379	P-1111379	P-66152901
2.6	Spring Lock	N/A	P-10280003	EQ 347	P-1111388	P-1111388	P-10280062
2.7	Pin Plate, Large	2027558	2027558	2027558	2027558	2027558	2027558
3	Kit, Cart Stop, Street Side	20-1108-500	20-1108-500	20-1108-500	20-1108-500	20-1108-500	20-1108-500
3.1	Side Plate	20-1108-501	20-1108-501	20-1108-501	20-1108-501	20-1108-501	20-1108-501
3.2	Plate, Base Support	20-1108-502	20-1108-502	20-1108-502	20-1108-502	20-1108-502	20-1108-502
3.3	Cart Stop Weldment	20-1108-510	20-1108-510	20-1108-510	20-1108-510	20-1108-510	20-1108-510
3.4	Tab, Retension Spring	20-1108-541	20-1108-541	20-1108-541	20-1108-541	20-1108-541	20-1108-541
3.5	Spring, Torsion	20-1108-542	20-1108-542	20-1108-542	20-1108-542	20-1108-542	20-1108-542
4	Kit, Cart Stop, Curb Side	20-1108-520	20-1108-520	20-1108-520	20-1108-520	20-1108-520	20-1108-520
4.1	Side Plate	20-1108-501	20-1108-501	20-1108-501	20-1108-501	20-1108-501	20-1108-501
4.2	Plate, Base Support	20-1108-502	20-1108-502	20-1108-502	20-1108-502	20-1108-502	20-1108-502
4.3	Cart Stop Weldment	20-1108-530	20-1108-530	20-1108-530	20-1108-530	20-1108-530	20-1108-530
4.4	Tab, Retension Spring	20-1108-541	20-1108-541	20-1108-541	20-1108-541	20-1108-541	20-1108-541
4.5	Spring, Torsion	20-1108-542	20-1108-542	20-1108-542	20-1108-542	20-1108-542	20-1108-542
5	Foot Switch Controls	P-1330945	P-1330945	P-1330945	P-1330945	P-1330945	P-1330945
6	Kit, Led Warning Lights	P-2019307	P-2019307	P-2019307	P-2019307	P-2019307	P-2019307
7	Bolt, M6x15mm, Pan, S/S	P-1015667	P-1015667	P-1015667	P-1015667	P-1015667	P-1015667
8	Cap, Wire, Platform, Header	P-2019337	P-2019337	P-2019337	P-2019337	P-2019337	P-2019337
9	Screw, M5x16	667833375	667833375	667833375	667833375	667833375	667833375
10	Washer, M5	ML10274046	ML10274046	ML10274046	ML10274046	ML10274046	ML10274046
11	Plate, Foot Controls, Instructions	P-1341966	P-1341966	P-1341966	P-1341966	P-1341966	P-1341966
12	Cable, J-3 to Warn LT, Platform	P-1359179	P-1359179	P-1359179	P-1359179	P-1359179	P-1359179

Palfinger Interlift, LLC.
 15939 Piuma Ave, Cerritos, CA 90703
 Tel: (888) 774-5844, Fax: (562) 924-8318

Palfinger Interlift, LLC.
 572 Whitehead Road, Trenton, NJ 08619
 Tel: (609) 587-4200, Fax: (609) 587-4201

7 Aluminum Platform – AluPlan



Palfinger Interlift, LLC.
15939 Piuma Ave, Cerritos, CA 90703
Tel: (888) 774-5844, Fax: (562) 924-8318

Palfinger Interlift, LLC.
572 Whitehead Road, Trenton, NJ 08619
Tel: (609) 587-4200, Fax: (609) 587-4201

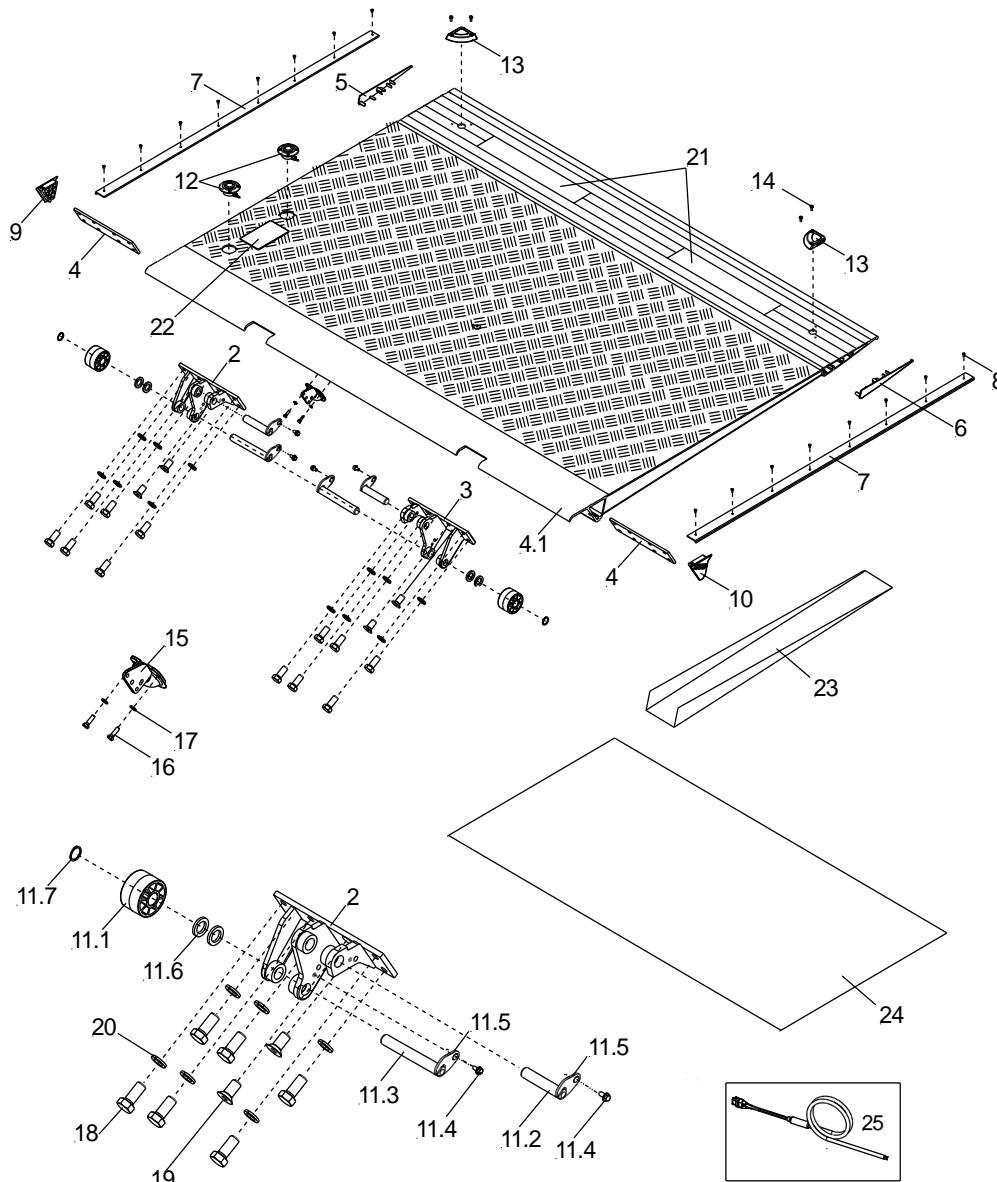
7 - ALUMINUM PLATFORM ALUPLAN							
NO.	DESCRIPTION	ILK 20	ILK 22	ILK 33	ILK 44	ILK 55	QTY.
1	Platform, 48"X94" Cart Stops	--	4APILK224894CS	4APILK334894CS	4APILK444894CS	--	1
	Platform, 48"X94" No Cart Stops	--	4APILK22248	4APILK33348	4APILK44448	--	1
	Platform, 60"X94" Cart Stops	--	4APILK226094CS	4APILK336094CS	2038746	2038746	1
	Platform, 60"X94" No Cart Stops	--	4APILK22260	4APILK33360	2038750	2038750	1
	Platform, 72"X94" Cart Stops	--	4APILK227294CS	4APILK337294CS	2038747	2038747	1
	Platform, 72"X94" No Cart Stops	--	4APILK22272	4APILK33372	2038751	2038751	1
	Platform, 84"X94" Cart Stops	--	--	4APILK338494CS	2038752	2038752	1
	Platform, 84"X94" No Cart Stops	--	--	4APILK33384	2038752	2038752	1
2	Clevis, Curb Side, Right	P-1355273	P-1355273	P-1036871	P-2026952	P-2026952	1
3	Clevis, Street Side, Left	P-1355282	P-1355282	P-1036880	P-2026953	P-2026953	1
4	Nut Plate	P-1355233	P-1355233	P-1036915	P-1036915	P-1036915	1
5	Kit, Roller, Pin	N/A	P-2013925	P-1354156	2039126	2039126	1
5.1	Roller	N/A	P-1217715	P-1115195	P-1111393	P-1111393	1
5.2	Pin, Platform, Liftarm, 25x124mm	P-1346238	P-1346238	--	--	--	1
	Pin, Platform, Liftarm, 25x128mm(After 2016)	2040319	2040319				1
	Pin, Platform, Liftarm, 28x129mm	--	--	P-1335280	--	--	1
	Pin, Platform, Liftarm, 28x130mm (After 2016)	--	--	2039538	--	--	1
	Pin, Platform, Liftarm, 36x130mm	--	--	--	P-1350858	P-1350858	1
	Pin, Platform, Liftarm, 36x135mm (After 2016)	--	--	--	2039101	2039101	1
5.3	Pin, Platform, Tilt Cyl, 25x179mm	P-1346238	P-1400928	--	--	--	1
	Pin, Platform, Tilt Cyl, 25x179mm (After 2016)	2041064	2041064	--	--	--	1
	Pin, Platform, Tilt, 28x180mm	--	--	P-1354169	--	--	1
	Pin, Platform, Tilt, 28x182mm (After 2016)	--	--	2036460	--	--	1
	Pin, Platform, Tilt Cyl, 36x208mm	--	--	--	P-1358176	P-1358176	1
	Pin, Platform, Tilt Cyl, 36x210mm (After 2016)	--	--	--	2039105	2039105	1
5.4	Bolt, Pin Lock, M8x16	ES1451	ES1451	ES1451	ES1451	ES1451	1
	Bolt, Pin Lock, M12x16 (After 2016)	2039050	2039050	2039050	2039050	2039050	1
5.5	Pin Plate	2027558	2027558	2027558	2027558	2027558	1
5.6	Washer, Flat	N/A	2001508	EK1090	P-1111379	P-1111379	1
5.7	Spring Clip, 25x1	N/A	P-10280003	EQ 347	P-1111388	P-1111388	1
6	Screw, Flat Head, M20x40mm	P-1333142	P-1333142	--	P-1333142	P-1333142	1
7	Hex Head Cap Screw, M20-2.5x45mm	P-1125300	P-1125300	P-1125300	P-1125300	P-1125300	1
8	Washer, M20	P-1125319	P-1125319	P-1125319	P-1125319	P-1125319	1
9	Cap, Wire, Platform Header, B15	P-2019337	P-2019337	P-2019337	P-2019337	P-2019337	1
10	Screw, M5-0.8x16	ML66783375	ML66783375	ML66783375	ML66783375	ML66783375	1
11	Washer, M5.3	P-1125319	P-1125319	P-1125319	P-1125319	P-1125319	1
12	Side Cap, Extrusion	P-9832521700	P-9832521700	P-9832521700	P-9832521700	P-9832521700	1
13	Screw, Flat Head, M5x12	2004486	2004486	2004486	2004486	2004486	1
14	Top Cap, Extrusion	P-1244631	P-1244631	P-1244631	P-1244631	P-1244631	1
15	Screw, Flat Head, M5x12	2004486	2004486	2004486	2004486	2004486	1
16	Cap, Side, Platform Header, Curb Side	P-9083229000	P-9083229000	P-9083227000	P-9083229000	P-9083229000	1
17	Cap, Side, Platform Header, Street Side	P-9083230000	P-9083230000	P-9083228000	P-9083230000	P-9083230000	1
18	Screw, Flat Head, M5x16	P-1400172	P-1400172	P-1400172	P-1400172	P-1400172	1
19	Cap, Side, Tip, Curb Side	P-9083239000	P-9083239000	P-9083239000	P-9083239000	P-9083239000	1
20	Cap, Side, Tip, Street Side	P-9083238000	P-9083238000	P-9083238000	P-9083238000	P-9083238000	1
21	Screw, Flat Head, M5x16	P-1400172	P-1400172	P-1400172	P-1400172	P-1400172	1
22	Foot Switch Controls	P-1330945	P-1330945	P-1330945	P-1330945	P-1330945	1
23	Kit, Led Warning Lights	P-2019307	P-2019307	P-2019307	P-2019307	P-2019307	1
24	Bolt, M6x15mm	P-1015667	P-1015667	P-1015667	P-1015667	P-1015667	1
25	Plate Foot Controls Instructions	P-1341966	P-1341966	P-1341966	P-1341966	P-1341966	1
26	Cable, J-3 to Warn LT, Platform	P-1359179	P-1359179	P-1359179	P-1359179	P-1359179	1

Platform not available for ILK 66

Palfinger Interlift, LLC.
 15939 Piuma Ave, Cerritos, CA 90703
 Tel: (888) 774-5844, Fax: (562) 924-8318

Palfinger Interlift, LLC.
 572 Whitehead Road, Trenton, NJ 08619
 Tel: (609) 587-4200, Fax: (609) 587-4201

8 Aluminum Platform – AluStar



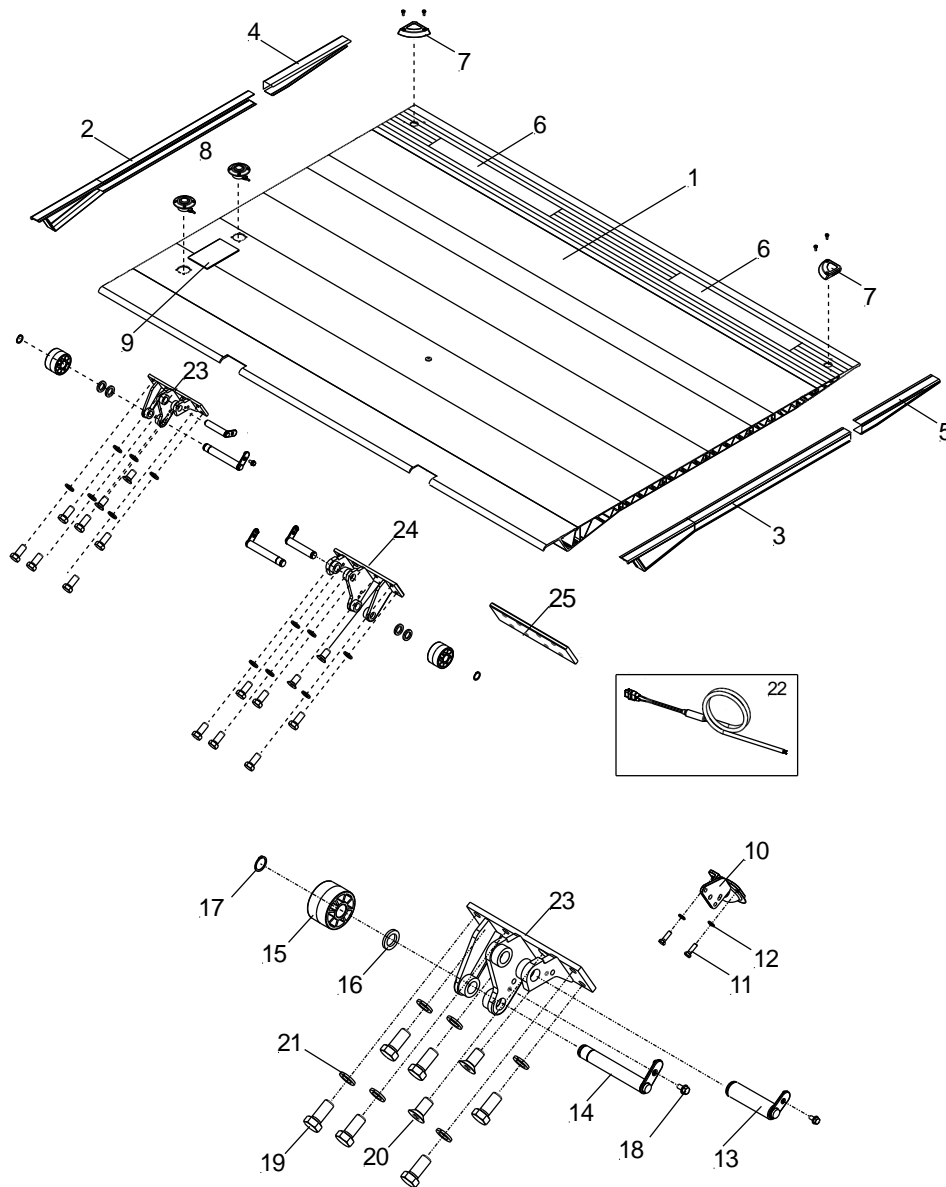
8 - ALUMINUM PLATFORM ALUSTAR							
NO.	DESCRIPTION	ILK 20	ILK 22	ILK 33	ILK 44	ILK 55	QTY.
1	Platform 48"X94" Cart Stops	ON REQUEST	ON REQUEST	ON REQUEST	ON REQUEST	ON REQUEST	1
	Platform 48"X94" No Cart Stops	ON REQUEST	ON REQUEST	ON REQUEST	ON REQUEST	ON REQUEST	1
	Platform 60"X94" Cart Stops	ON REQUEST	ON REQUEST	ON REQUEST	ON REQUEST	ON REQUEST	1
	Platform 60"X94" No Cart Stops	ON REQUEST	ON REQUEST	ON REQUEST	ON REQUEST	ON REQUEST	1
	Platform 72"X94" Cart Stops	ON REQUEST	ON REQUEST	ON REQUEST	ON REQUEST	ON REQUEST	1
	Platform 72"X94" No Cart Stops	ON REQUEST	ON REQUEST	ON REQUEST	ON REQUEST	ON REQUEST	1
	Platform 84"X94" Cart Stops	ON REQUEST	ON REQUEST	4PUSA849833	ON REQUEST	ON REQUEST	1
	Platform 84"X94" No Cart Stops	ON REQUEST	ON REQUEST	ON REQUEST	ON REQUEST	ON REQUEST	1
	Platform 96"X94" Cart Stops	ON REQUEST	ON REQUEST	ON REQUEST	4PUSA969444CS	4PUSA969444CS	1
	Platform 96"X94" No Cart Stops	ON REQUEST	ON REQUEST	ON REQUEST	4PUSA9694	4PUSA9694	1
Platform 96"X98" Cart Stops	ON REQUEST	ON REQUEST	ON REQUEST	4PUSA969844CS	4PUSA969844CS	1	
Platform 96"X98" No Cart Stops	ON REQUEST	ON REQUEST	ON REQUEST	4PUSA969844	4PUSA969844	1	
2	Clevis, Curb Side	P-1355273	P-1355273	P-1036871	P-2026952	P-2026952	1
3	Clevis, Street Side	P-1355282	P-1355282	P-1036880	P-2026953	P-2026953	1
4	Nut Plate	P-1355233	P-1355233	P-1036915	P-1036915	P-1036915	1
4.1	Header Profile	P-1355135	P-1355135	P-2037657	P-2037657	P-2037657	1
5	Cap, Plastic, Tip, Curb Side	P-1404975	P-1404975	P-1404105	P-1404105	P-1404105	1
6	Cap, Plastic, Tip, Street Side	P-1404104	P-1404104	P-1404104	P-1404104	P-1404104	1
7	Cap, Aluminum, Top, Platform	P-1244631	P-1244631	P-1244631	P-1244631	P-1244631	1
8	Screw, M5x12	P-2004486	P-2004486	P-2004486	P-2004486	P-2004486	1
9	Cap, Plastic, Header, Curb Side	P-1276286	P-1276286	P-1301533	P-1301533	P-1301533	1
10	Cap, Plastic, Header, Street Side	P-1276295	P-1276295	P-1301542	P-1301542	P-1301542	1
11	Kit, Roller, Pin	N/A	2041066	P-1354156	P-1358181	P-1358181	1
11.1	Roller	N/A	P-1217715	P-1115195	P-1358176	P-1358176	1
11.2	Pin, Platform, Liftarm, 25x124mm	P-1346238	P-1346238	--	--	--	1
	Pin, Platform, Liftarm, 25x128mm(After 2016)	2040319	2040319				1
	Pin, Platform, Liftarm, 28x129mm	--	--	P-1335280	--	--	1
	Pin, Platform, Liftarm, 28x130mm (After 2016)	--	--	2039538			1
	Pin, Platform, Liftarm, 36x130mm	--	--	--	P-1350858	P-1350858	1
Pin, Platform, Liftarm, 36x135mm (After 2016)				2039101	2039101	1	
11.3	Pin, Platform, Tilt Cylinder, 25x124mm	P-1346238	P-1400928	--	--	--	1
	Pin, Platform, Liftarm, 25x128mm(After 2016)	2040319	2040319				1
	Pin, Platform, Tilt Cylinder, 28x180mm	--	--	2036460	--	--	1
	Pin, Platform, Tilt Cylinder, 36x208mm	--	--	--	P-1358176	P-1358176	1
	Pin, Platform, Tilt Cyl, 36x210mm (After 2016)	--	--	--	2039105	2039105	1
11.4	Bolt, Pin Lock, M8x16	ES1451	ES1451	ES1451	ES1451	ES1451	1
	Bolt, Pin Lock, M12x16 (After 2016)	2039050	2039050	2039050	2039050	2039050	1
11.5	Pin Plate	2027558	2027558	2027558	2027558	2027558	1
11.6	Washer, Flat	N/A	P-2001508	EK1090	P-1111379	P-1111379	1
11.7	Spring Ring	N/A	P-10280003	EQ 347	P-1111388	P-1111388	1
12	Foot Switch Controls	P-1330945	P-1330945	P-1330945	P-1330945	P-1330945	1
13	Kit, Led Warning Lights	P-2019307	P-2019307	P-2019307	P-2019307	P-2019307	1
14	Bolt, M6x15mm	P-1015667	P-1015667	P-1015667	P-1015667	P-1015667	1
15	Cap, Wire, Platform Header, B-15	P-2019337	P-2019337	P-2019337	P-2019337	P-2019337	1
16	Screw, M5x16	667833375	667833375	667833375	667833375	667833375	1
17	Washer, M5.3	ML10274046	ML10274046	ML10274046	ML10274046	ML10274046	1
18	Hex Head Cap Screw, M20-2.5x45mm	P-1125300	P-1125300	P-1125300	P-1125300	P-1125300	1
19	Screw, Flat Head, M20x40mm	P-1333142	P-1333142	--	P-1333142	P-1333142	1
20	Washer, Split, M20	P-1125319	P-1125319	P-1125319	P-1125319	P-1125319	1
21	Cart Stop Kit	P-1319522	P-1319522	P-1319522	P-1319522	P-1319522	1
22	Plate Foot Controls Instructions	P-1341966	P-1341966	P-1341966	P-1341966	P-1341966	1
23	Profile, Tunnel, Alum.,190mmX131mmX 2080mm	2047419	2047419	2047419	2047419	2047419	1
24	Alum Surface Cover, .063"X48"X96"	60-0416-021	60-0416-021	60-0416-021	60-0416-021	60-0416-021	1
25	Cable, J-3 to Warn LT, Platform	P-1359179	P-1359179	P-1359179	P-1359179	P-1359179	1

Platform not available for ILK 66

Palfinger Interlift, LLC.
 15939 Piuma Ave, Cerritos, CA 90703
 Tel: (888) 774-5844, Fax: (562) 924-8318

Palfinger Interlift, LLC.
 572 Whitehead Road, Trenton, NJ 08619
 Tel: (609) 587-4200, Fax: (609) 587-4201

9 PML/Kolas Aluminum Platform



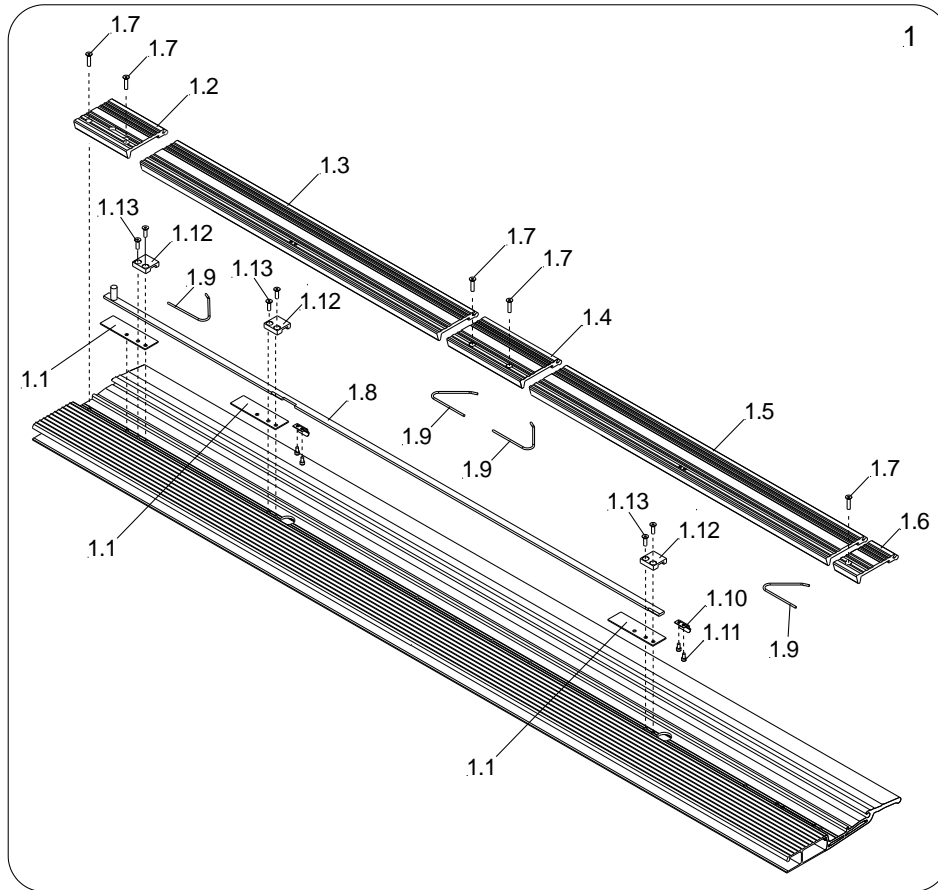
Palfinger Interlift, LLC.
15939 Piuma Ave, Cerritos, CA 90703
Tel: (888) 774-5844, Fax: (562) 924-8318

Palfinger Interlift, LLC.
572 Whitehead Road, Trenton, NJ 08619
Tel: (609) 587-4200, Fax: (609) 587-4201

9 – PML/KOLAS ALUMINUM PLATFORM						
NO.	DESCRIPTION	ILK 20	ILK 22	ILK 33	ILK 44/55	QTY.
1	Platform	ON REQUEST	ON REQUEST	ON REQUEST	ON REQUEST	1
2	Side Profile Kit – Curb Side	ON REQUEST	ON REQUEST	P-2011693	P-2013942	1
3	Side Profile Kit – Driver Side	ON REQUEST	ON REQUEST	P-2011692	P-2013941	1
4	Side Profile Tip – Curb Side	ON REQUEST	ON REQUEST	P-2011714	P-2011714	1
5	Side Profile Tip – Driver Side	ON REQUEST	ON REQUEST	P-2011713	P-2011713	1
6	Cart Stop Kit Foot Activated	P-1319522	P-1319522	P-1319522	P-1319522	1
7	Warning Light	P-2019307	P-2019307	P-2019307	P-2019307	1
8	Foot Control Button K 2-Wire	P-1330945	P-1330945	P-1330945	P-1330945	1
9	Plate Foot Controls Instructions	1341966	1341966	1341966	1341966	1
10	Cap, Wire, Platform Header, B-15	P-2019337	P-2019337	P-2019337	P-2019337	1
11	Hex Head Cap Screw M5-0.8x16mm	ML66783375	ML66783375	ML66783375	ML66783375	1
12	Washer Flat M5	ML10274046	ML10274046	ML10274046	ML10274046	1
13	Pin Platform, Liftarm	P-1346238	P-1346238	P-1335280	P-1350858	1
14	Pin Platform, Titl Cylinder	P-1346238	P-1400928	P-1354169	P-1358176	1
15	Ground Roller	N/A	P-1217715	P-1115195	P-1111393	1
16	Washer, Flat	N/A	P-2001508	EK1090	P-1111379	1
17	Spring, Ring	N/A	P-10280003	EQ347	P-1111388	1
18	Bolt, Pin Lock	ES1451	ES1451	ES1451	ES1451	1
19	Hex Head Cap Screw M20-2.5x45mm	P-1125300	P-1125300	P-1125300	P-1125300	1
20	Screw, Flat Head, M20x40mm	P-1333142	P-1333142	--	P-1333142	1
21	Washer, Split, M20	P-1125319	P-1125319	P-1125319	P-1125319	1
22	Cable, J-3 to Warn LT, Platform	P-1359179	P-1359179	P-1359179	P-1359179	1
23	Clevis, Curb Side, Right	P-1355273	P-1355273	P-1036871	P-2026952	1
24	Clevis, Street Side, Left	P-1355282	p-1355282	P-1036880	P-2026953	1
25	Nut Plate	P-1355233	P-1355233	P-1036915	P-1036915	1
KIT	Ground Roller (Includes #9-13)	N/A	P-2013925	P-2013926	P-2013926	1

Platform not available for ILK 66

10 **Cart Stops - Aluminum Platforms**



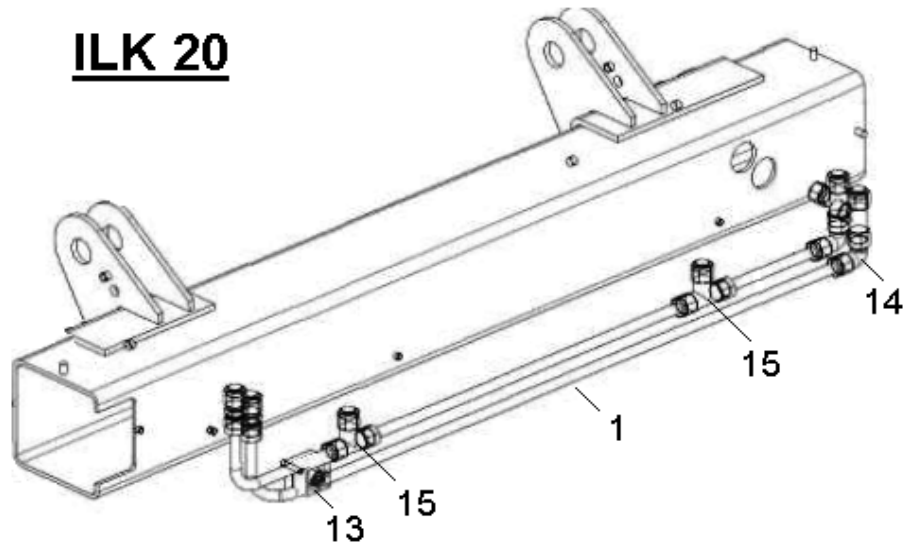
10 – CART STOPS ALUMINUM PLATFORMS			
NO.	DESCRIPTION	PART NO.	QTY.
1	Assembly, 2X 800mm Cart Stop, 12"	P-2024959	1
1.1	Pad, Delrin, 35mm X 120mm X 2mm	P-1406245	1
1.2	Plate Cover, Curb Side	P-2003301	1
1.3	Cart Stop, 800mm, Curb Side	P-2006698	1
1.4	Plate Cover, Center	P-2003302	1
1.5	Cart Stop, 800mm, Street Side	P-2006697	1
1.6	Plate Cover, Street Side	P-2003303	1
1.7	Socket Head Cap Screw, M6-1.0 X 30mm	P-1057441	1
1.8	Sliding Rail	P-1406248	1
1.9	Spring Rod	P-1408661	1
1.10	Clip	P-1406249	1
1.11	Socket Head Cap Screw, M5-0.80 X 8mm	P-1119357	1
1.12	C-Clip, Plastic	P-2004637	1
1.13	Socket Head Cap Screw, M6-1.0 X 20mm	P-1004726	1

Palfinger Interlift, LLC.
 15939 Piuma Ave, Cerritos, CA 90703
 Tel: (888) 774-5844, Fax: (562) 924-8318

Palfinger Interlift, LLC.
 572 Whitehead Road, Trenton, NJ 08619
 Tel: (609) 587-4200, Fax: (609) 587-4201

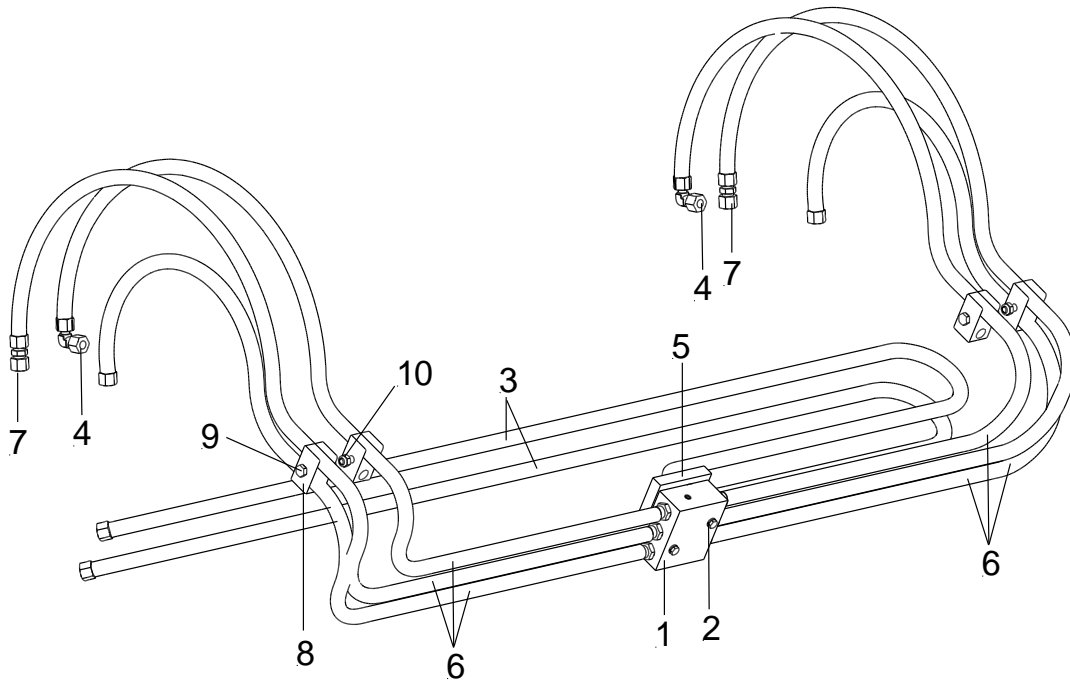
11 Hydraulic Hoses

11.1 Hydraulic Hoses – ILK 20 (Discontinued)



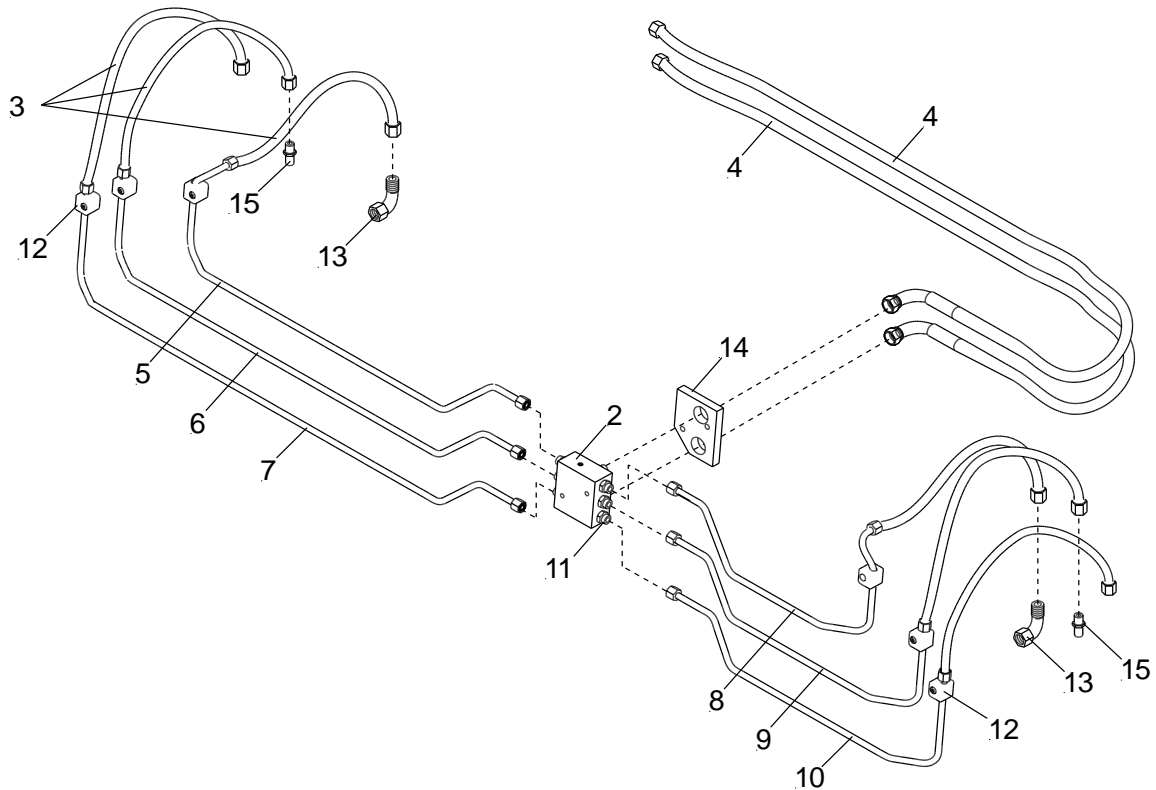
11.1 – HYDRAULIC HOSES – ILK 20			
NO.	DESCRIPTION	PART NO.	QTY.
1	Hydraulic Pipe Kit (Without Hoses)	P-1402875	1
2	Aluminum Valve Block With Adaptor	P-2013687	1
3	Hydraulic Hose Kit - 6 Pieces	P-1303233	1
	Hydraulic Hose - Each	P-2021337	1
4	Hydraulic Hose - Each	P-1404494	1
13	Plastic Holder	P-1108532	1
14	Fitting - 90° Elbow	P-1232266	1
15	Tee- Fitting	P-1111084	1

11.2 Hydraulic Hoses – ILK 22



11.2 - HYDRUALIC HOSES – ILK 22			
NO.	DESCRIPTION	PART NO.	QTY.
1	Connection Block	P-1330067	1
2	Washer, Lock, M6, DIN127	ML10274275	1
3	Hose, Rubber, 2000mm, w/90°X 37° Fitting	P-2021334	1
4	Adapter, 90°	P-1232266	1
5	Rubber Pad	P-1114049	1
6	Hose, Rubber, 1400mm	P-2021335	1
7	Adapter, Straight	P-1212700	1
8	Clamp, Double	P-1406960	1
9	Hex Head Cap Screw, M8x50	P-66108368	1
10	Nut, Lock, M8	P-67243366	1

11.3 Hydraulic Hoses – ILK 33/44/55/66



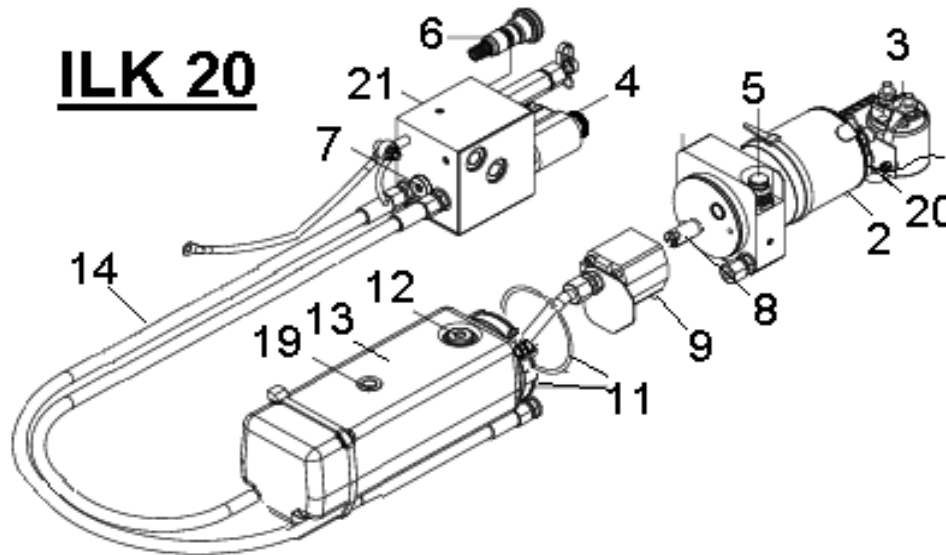
11.3 – HYDRAULIC PIPES – ILK 33,44,55,66					
NO.	DESCRIPTION	ILK 33	ILK 44/55	ILK 66	QTY.
1	Hydraulic Pipe Kit (Without Hoses)	P-1401079	P-1401079	P-1401079	1
2	Valve Block, w/Adaptors, 8-Port	P-1330067	P-1330067	P-1330067	1
3	Hydraulic Hose Kit, 850mm, (6 Hoses)	P-1303233	P-1303233	P-1303233	1
	Hydraulic Hose, 850mm	P-2021337	P-2021337	P-2021337	1
4	Hydraulic Hose, Plastic, 2000mm, 10L	P-1112885	P-1112885	P-1112885	2
5	Hydraulic Pipe - Top Right Side	P-1129970	P-1129970	P-1129970	1
6	Hydraulic Pipe - Middle Right Side	P-1129998	P-1129998	P-1129998	1
7	Hydraulic Pipe - Lower Right Side	P-1129989	P-1129989	P-1129989	1
8	Hydraulic Pipe - Top Left Side	P-1129961	P-1129961	P-1129961	1
9	Hydraulic Pipe - Middle Left Side	P-1129952	P-1129952	P-1129952	1
10	Hydraulic Pipe - Lower Left Side	P-1129943	P-1129943	P-1129943	1
11	Adapter, 1/4 X 10L, Hose Fitting	EA6236	EA6236	EA6236	1
12	Clamp, 1 Line, Plastic, Green	P-1108532	P-1108532	P-1108532	1
13	Fitting - 90° Elbow, 10L to 10L	P-1232266	P-1232266	P-1232266	1
14	Rubber Pad, Hydraulic Block	P-1114049	P-1114049	P-1114049	1
15	Union,10L	P-1212700	P-1212700	P-1212700	1

Palfinger Interlift, LLC.
 15939 Piuma Ave, Cerritos, CA 90703
 Tel: (888) 774-5844, Fax: (562) 924-8318

Palfinger Interlift, LLC.
 572 Whitehead Road, Trenton, NJ 08619
 Tel: (609) 587-4200, Fax: (609) 587-4201

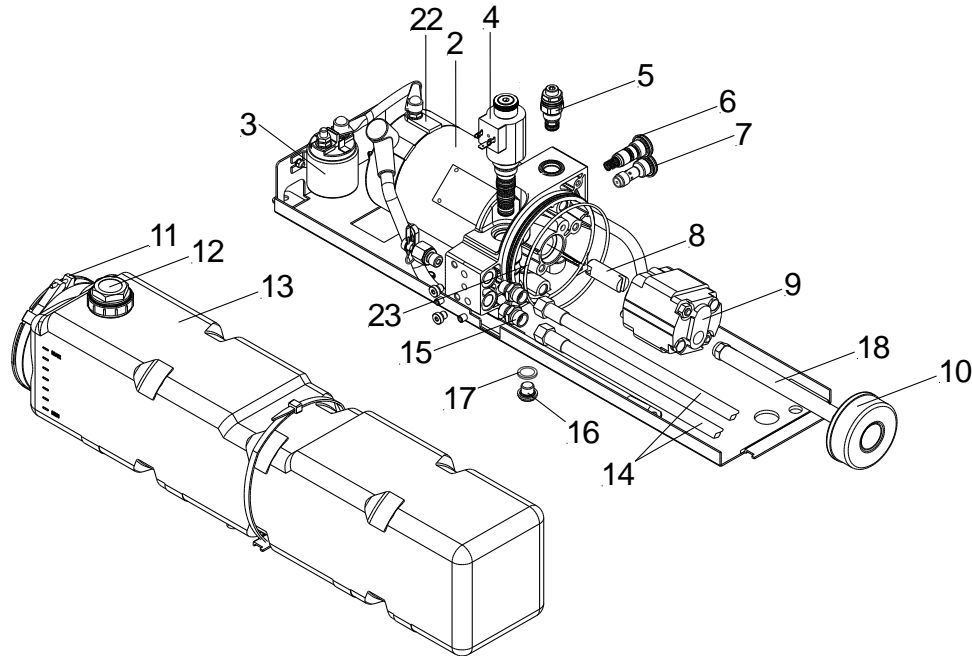
12 Pump and Motor

12.1 Pump and Motor – ILK 20 (Discontinued)



12.1 – PUMP AND MOTOR – ILK 20			
NO.	DESCRIPTION	PART NO.	QTY.
1	Power Pack	P-2001269	1
2	Motor 12 Volt	P-1404318	1
3	Motor Solenoid	P-1320127	1
4	Shift Valve (S-5)	P-1299412	1
5	Pressure Control Valve	P-1298111	1
6	Shuttle Valve Since 1998	P-2005141	1
	Flow Divider Till 1998		1
7	Flow Control Valve (R5)	P-1298086	1
8	Coupler	P-2000271	1
9	Pump	P-2020864	1
10	Pump Filter	N/A	-
11	Clamp For Oil Reservoir	P-1406566	1
12	Breather Cap Without Filter	P-1407076	1
13	Oil Reservoir	P-1404488	1
14	Hydraulic Hose	P-1404494	1
15	Adapter, 1/4 X 10L, Hose Fitting	EA6236	1
19	Plug, Reservoir, Breather	P-1405205	1
20	Thermo Switch	P-2000511	1
21	Aluminum Valve Block	P-2013687	1
22	Carbon Brushes Kit	P-1404318	1
23	Oil Reservoir O-Ring	P-1297972	1

12.2 Pump and Motor – ILK 22/33/44/55/66

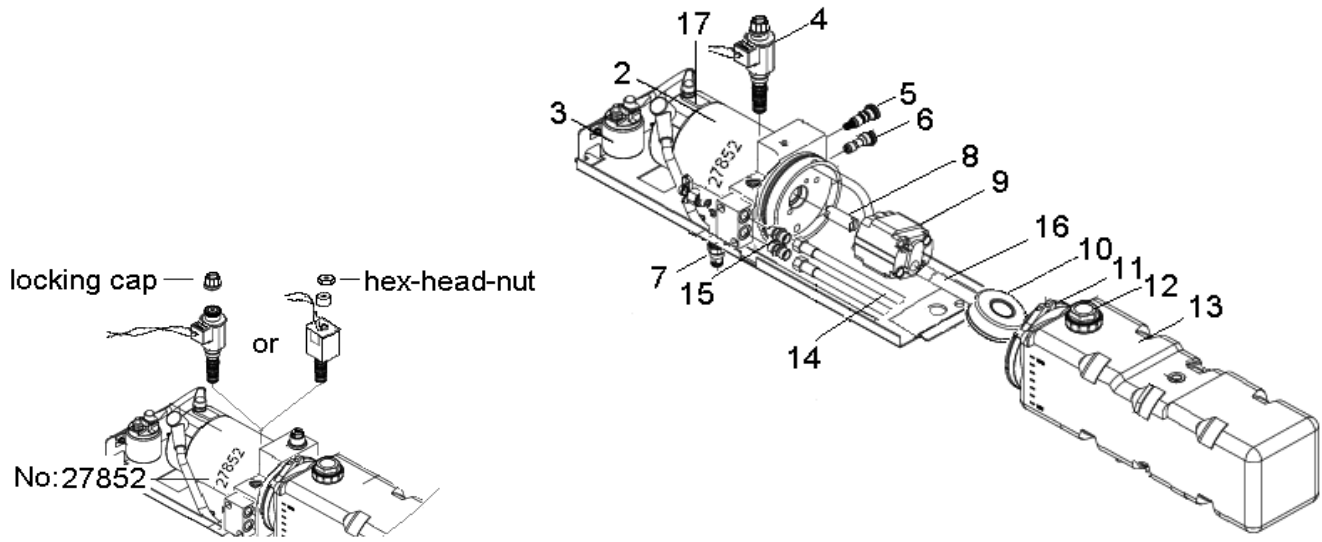


12.2 – PUMP AND MOTOR – ILK 22/33/44/55/66						
NO.	DESCRIPTION	ILK 22	ILK 33	ILK 44/55	ILK 66	QTY.
1	Power Pack	P-1406008	P-1406000	P-1406000	P-1406010	1
2	Motor 12V	P-1353555	P-1353555	P-1353555	P-1404483	1
3	Motor Solenoid	P-1320127	P-1320127	P-1320127	P-1320127	1
4	Shift Valve (S-5)	P-1299412	P-1299412	P-1299412	P-1299412	1
5	Pressure Control Valve	P-1298111	P-1298111	P-1298111	P-1298111	1
6	Flow Divider (Since 1998)	P-1405972	P-1405972	P-1405972	P-1405972	1
	Flow Divider (Until 1998)	P-1298102	P-1298102	P-1298102	P-1298102	1
7	Flow Control Valve (R5)	P-1298086	P-1298086	P-1298086	P-1346112	1
8	Coupler	P-1406264	P-1406264	P-1406264	P-2008064	1
9	Pump	P-1404480	P-1298068	P-1298068	P-1349471	1
10	Pump Filter	P-1298022	P-1298022	P-1298022	P-1298022	1
11	Clamp For Oil Reservoir	P-1362509	P-1362509	P-1362509	P-1362509	1
12	Breather Cap	P-1362518	P-1362518	P-1362518	P-1362518	1
13	Oil Reservoir, 3 Liter	P-1362492	P-1362483	P-1362483	P-1362483	1
14	Hydraulic Hose, Plastic, 10L, 2000mm	P-1112885	P-1112885	P-1112885	P-1112885	1
15	Adapter, 1/4 X 10L, Hose Fitting	EA6236	EA6236	EA6236	EA6236	1
16	Drain Plug	P-66373088	P-66373088	P-66373088	P-66373088	1
17	Sealing Washer	P-1298013	P-1298013	P-1298013	P-1298013	1
18	Pipe	ON REQUEST	ON REQUEST	ON REQUEST	ON REQUEST	1
22	Carbon Brushes Kit	P-1410330	P-1410330	P-1410330	P-1407399	1
23	Oil Reservoir O-Ring	P-1297972	P-1297972	P-1297972	P-1297972	1

Palfinger Interlift, LLC.
 15939 Piuma Ave, Cerritos, CA 90703
 Tel: (888) 774-5844, Fax: (562) 924-8318

Palfinger Interlift, LLC.
 572 Whitehead Road, Trenton, NJ 08619
 Tel: (609) 587-4200, Fax: (609) 587-4201

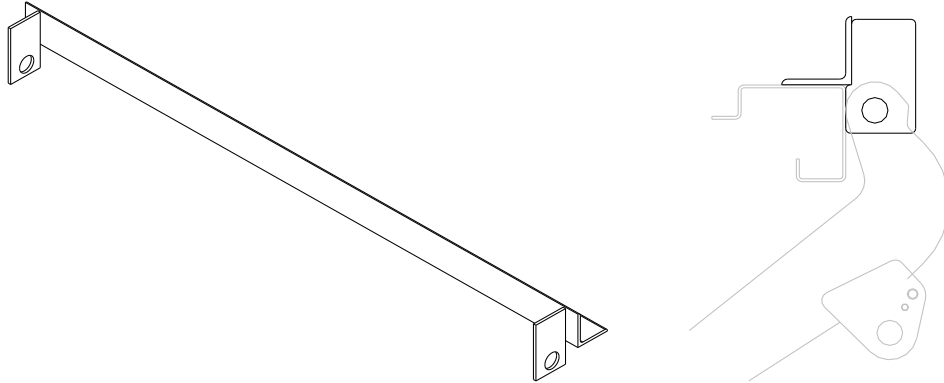
12.3 Bosch Pump and Motor (Discontinued)



12.3 – BOSCH PUMP AND MOTOR				
NO.	DESCRIPTION	ILK 22	ILK 33,44/55	QTY.
1	Power Pack	N/A	N/A	-
2	Motor, 12V	P-1298264	P-1298264	1
3	Motor, Solenoid	P-1320127	P-1320127	1
4	Shift Valve (S5)	P-1058804	P-1058804	1
5	Pressure Release Valve	P-1058760	P-1058760	1
6	Shuttle Valve	P-72335694	P-72335694	1
7	Flow Control Valve (R5)	P-1058653	P-1058653	1
8	Coupler	P-68807808	P-68807808	1
9	Pump	P-1058822	P-1058822	1
10	Screen	P-70411385	P-70411385	1
11	Reservoir Clamp Set	P-1404308	P-1404308	1
12	Cap With Filter	P-1401680	P-1401680	1
13	Oil Reservoir	P-1404306	P-1404306	1
14	Hydraulic Hose	P-1112885	P-1112885	1
15	Adaptor	P-1188263	P-1188263	1
16	Pipe	ON REQUEST	ON REQUEST	1
17	Carbon Brushes Kit (4 Pieces)	P-1116767	P-1116767	1

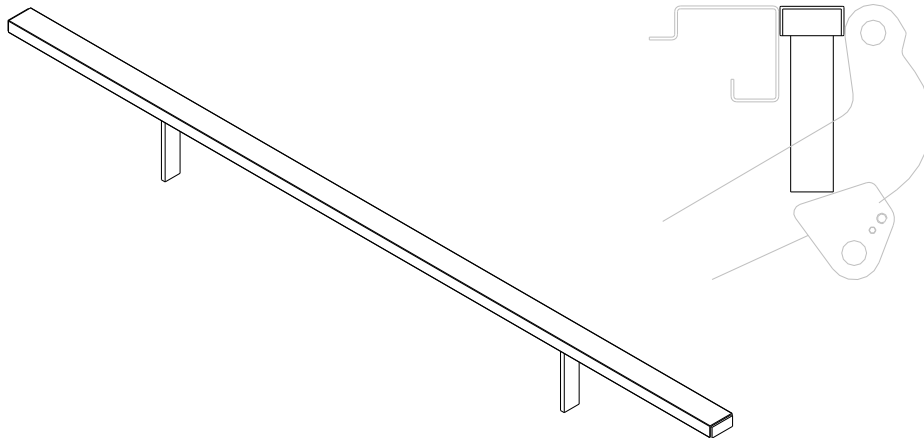
Bosch pump and motor not available for ILK 66

13 Mounting Fixture



13 – MOUNTING FIXTURE			
NO.	DESCRIPTION	PART NO.	QTY.
1	Mounting Fixture, ILK 20/22	87-0414-000	1
2	Mounting Fixture, ILK 33	87-0414-003	1
3	Mounting Fixture, ILK 44/55	87-0414-005	1
4	Mounting Fixture, ILK 66	87-0414-009	1

14 Bridge Kit

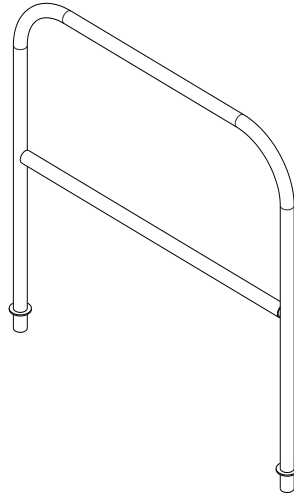


14 – BRIDGE KIT			
NO.	DESCRIPTION	PART NO.	QTY.
1	Kit, Bridge From Sill To Platform, 94"W Vehicles	60-0416-100	1
2	Kit, Bridge From Sill To Platform, 98"W Vehicles	60-0416-110	1

Palfinger Interlift, LLC.
 15939 Piuma Ave, Cerritos, CA 90703
 Tel: (888) 774-5844, Fax: (562) 924-8318

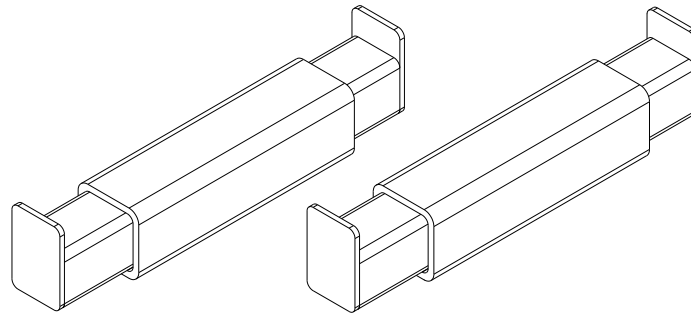
Palfinger Interlift, LLC.
 572 Whitehead Road, Trenton, NJ 08619
 Tel: (609) 587-4200, Fax: (609) 587-4201

15 Side Rails – Platform



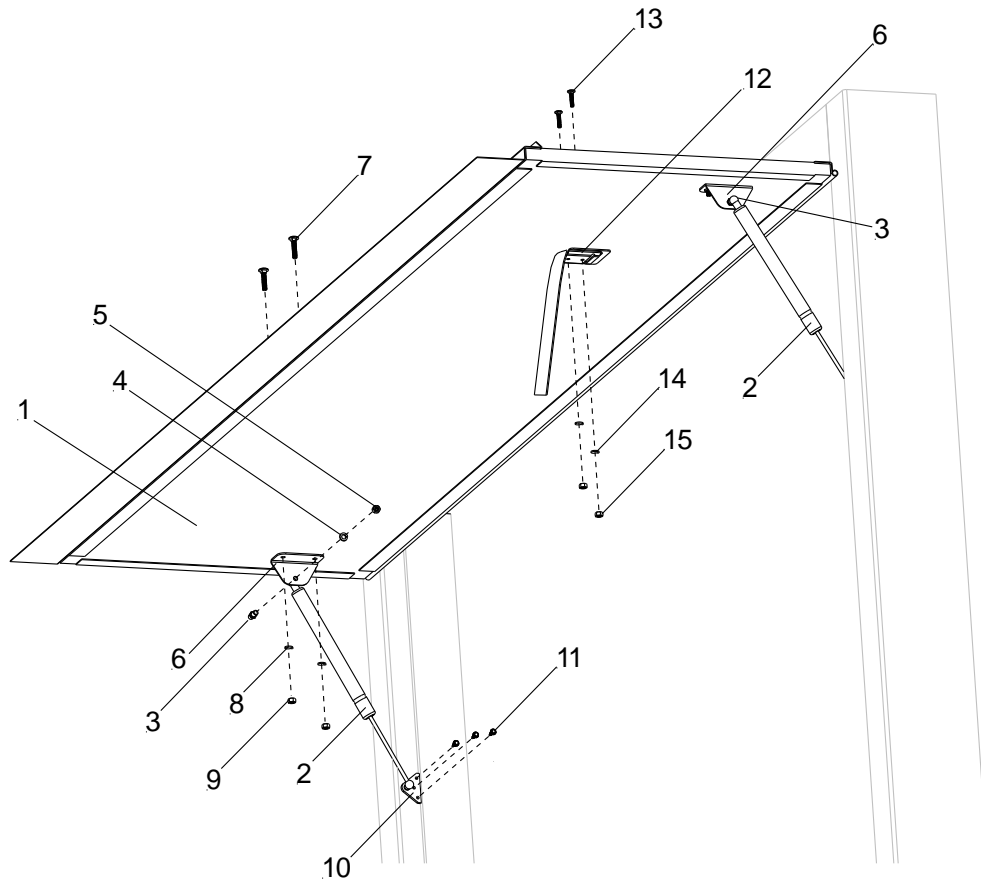
15 – SIDE RAILS - PLATFORM			
NO.	DESCRIPTION	PART NO.	QTY.
1	Side Rails, Removable, Stainless Steel, 35.25" W X 34.50' H	60-0414-000	1
2	Side Rails, Removable, Steel, Gray, 35.25" W X 34.50' H	60-0413-100	1

16 Forklift Lock Kit



16 – BRIDGE KIT			
NO.	DESCRIPTION	PART NO.	QTY.
1	Forklift Lock Kit	60-0416-200	1

17 Flip Up Door Kits

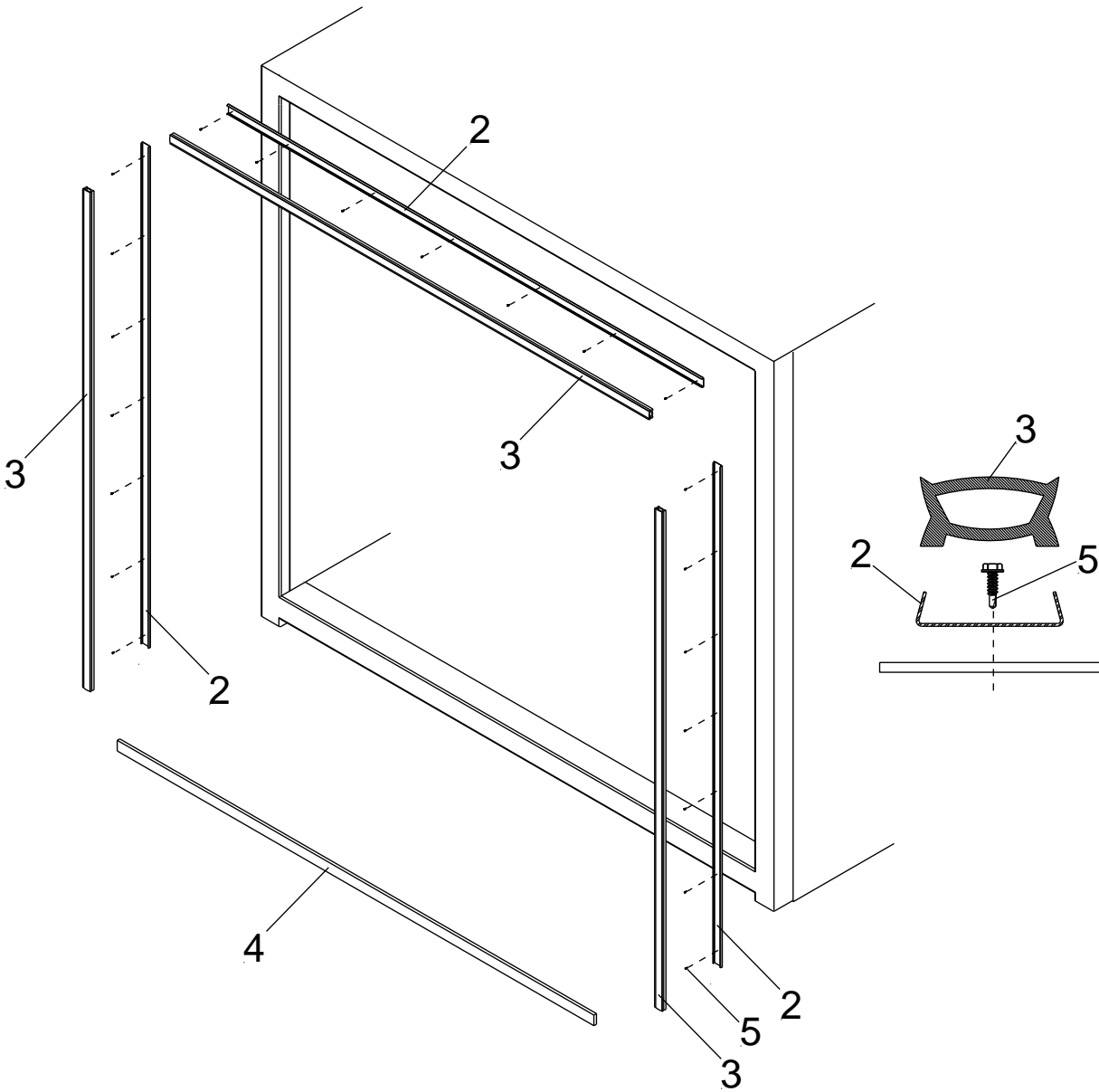


17 – FLIP UP DOOR KITS			
NO.	DESCRIPTION	PART NO.	QTY.
1	Flip Up Door Kit, 26"-36", 94"W	60-7518-021	1
	Flip Up Door Kit, 26"-36", 98"W	60-7518-023	1
2	Gas Cylinder, 60 Lbs	2-00024-60	1
	Gas Cylinder, 90 Lbs	2-00024-90	1
	Gas Cylinder, 120 Lbs	2-00024-120	1
	Gas Cylinder, 150 Lbs	2-00024-150	1
3	Ball Stud 10mm (Ball), 5/16"-18	60-7518-011	1
4	Washer, Split Lock, 5/16"	EK3471	1
5	Nut, 5/16"-18	EM 829	1
6	Angle Bracket, Formed	60-7518-001	1
7	Bolt, Carriage, 5/16"-18 X 1.50"	ES3419	1
8	Washer, Lock, 5/16"	EK3471	1
9	Nut, 5/16"-18	EM 829	1
10	Ball Stud Bracket For Vehicle	99-7515-100	1
11	Screw, Hex Head, Drilling, #10-16x3/4"	ES3948	1
12	Pull Strap, 32"L	60-7518-010	1
13	Bolt Carriage 1/4"-20 X 1.50",Gr.5, Zinc	ES3947	1
14	Washer, Split Lock, 1/4"	EK3630	1
15	Nut, 1/4"-20	EM 841	1

Palfinger Interlift, LLC.
 15939 Piuma Ave, Cerritos, CA 90703
 Tel: (888) 774-5844, Fax: (562) 924-8318

Palfinger Interlift, LLC.
 572 Whitehead Road, Trenton, NJ 08619
 Tel: (609) 587-4200, Fax: (609) 587-4201

18 Full Door Seal Kit



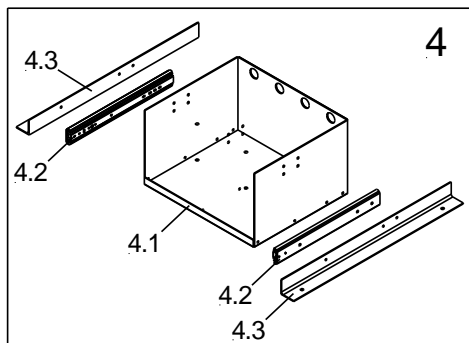
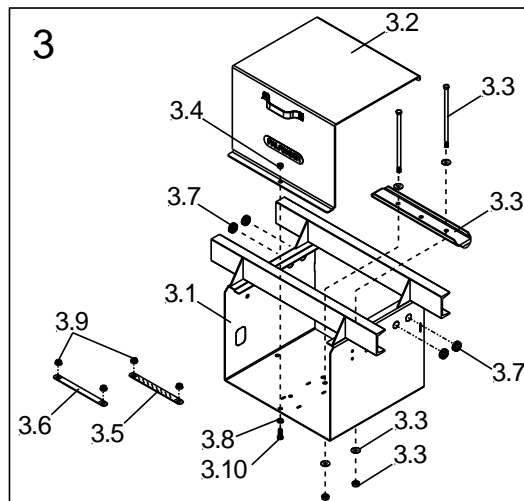
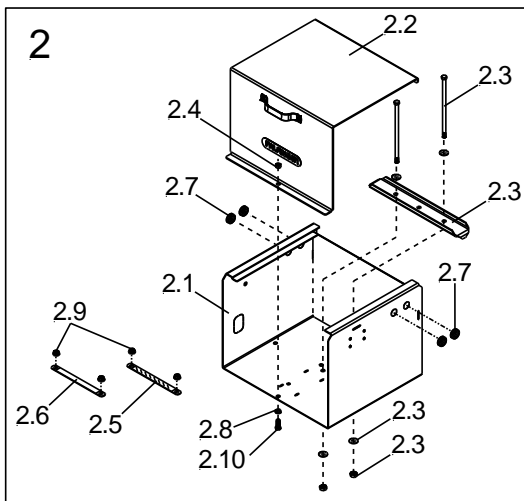
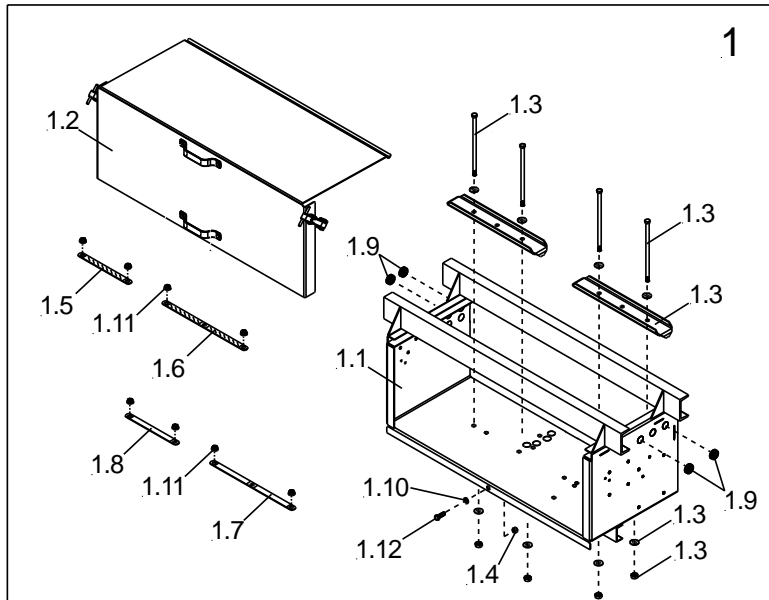
18 - FULL DOOR SEAL KIT			
NO.	DESCRIPTION	PART NO.	QTY.
1	Full Door Seal Kit	60-0416-000	1
2	Holder, Rubber Seal, Galvaneal, 108"L	60-0416-002	1
3	Rubber Seal, 110" L	60-0416-003	1
4	Seal Spacer Bar, 2" X 102" X 1/2"	60-0413-498	1
5	Screw, Hex Head, Drilling, #10-16x3/4"	ES3948	1

Palfinger Interlift, LLC.
 15939 Piuma Ave, Cerritos, CA 90703
 Tel: (888) 774-5844, Fax: (562) 924-8318

Palfinger Interlift, LLC.
 572 Whitehead Road, Trenton, NJ 08619
 Tel: (609) 587-4200, Fax: (609) 587-4201

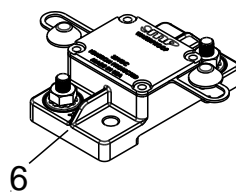
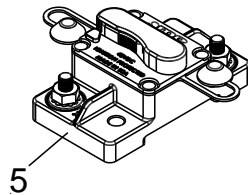
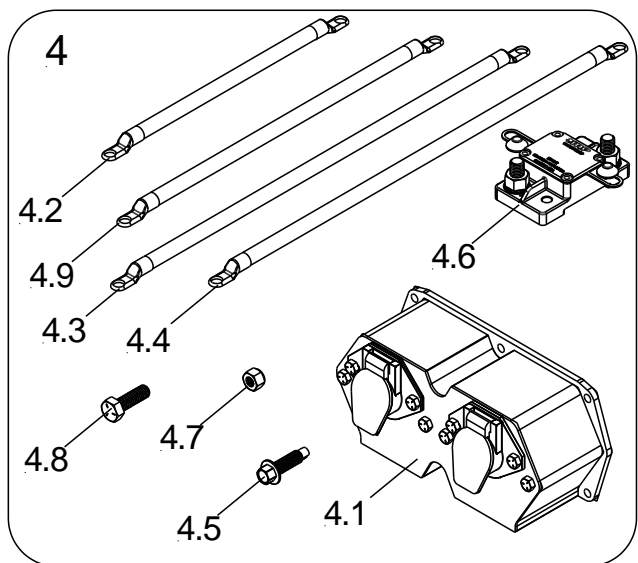
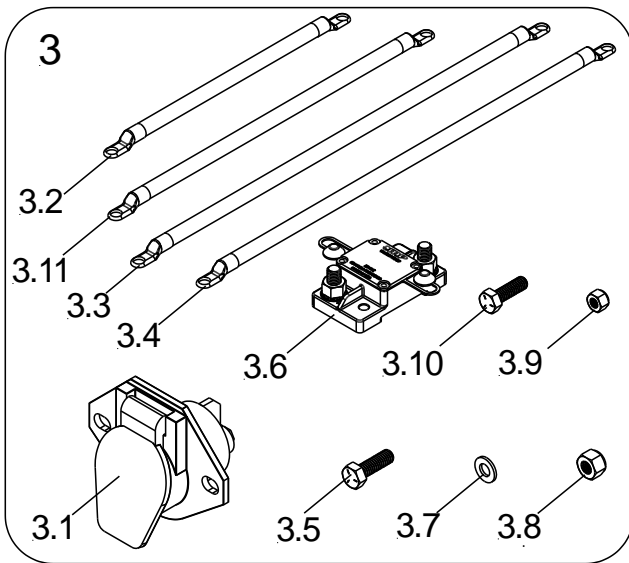
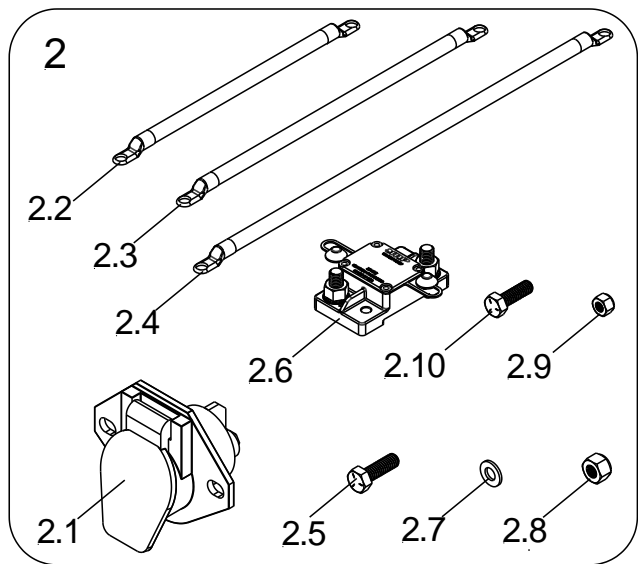
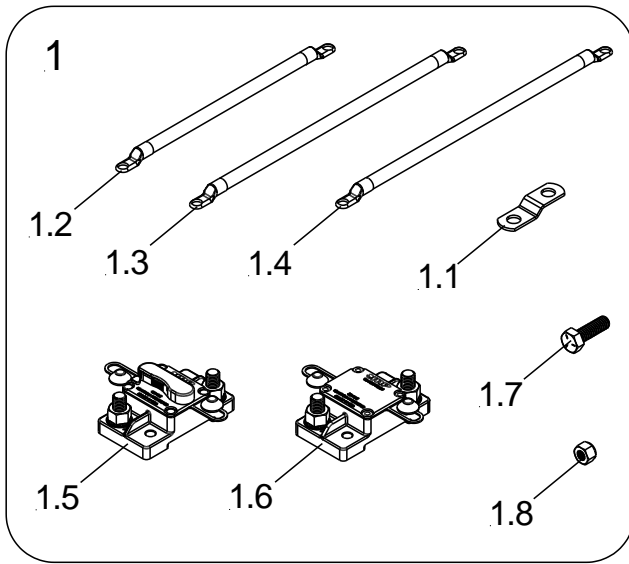
NOTES

19 Battery Box Kits



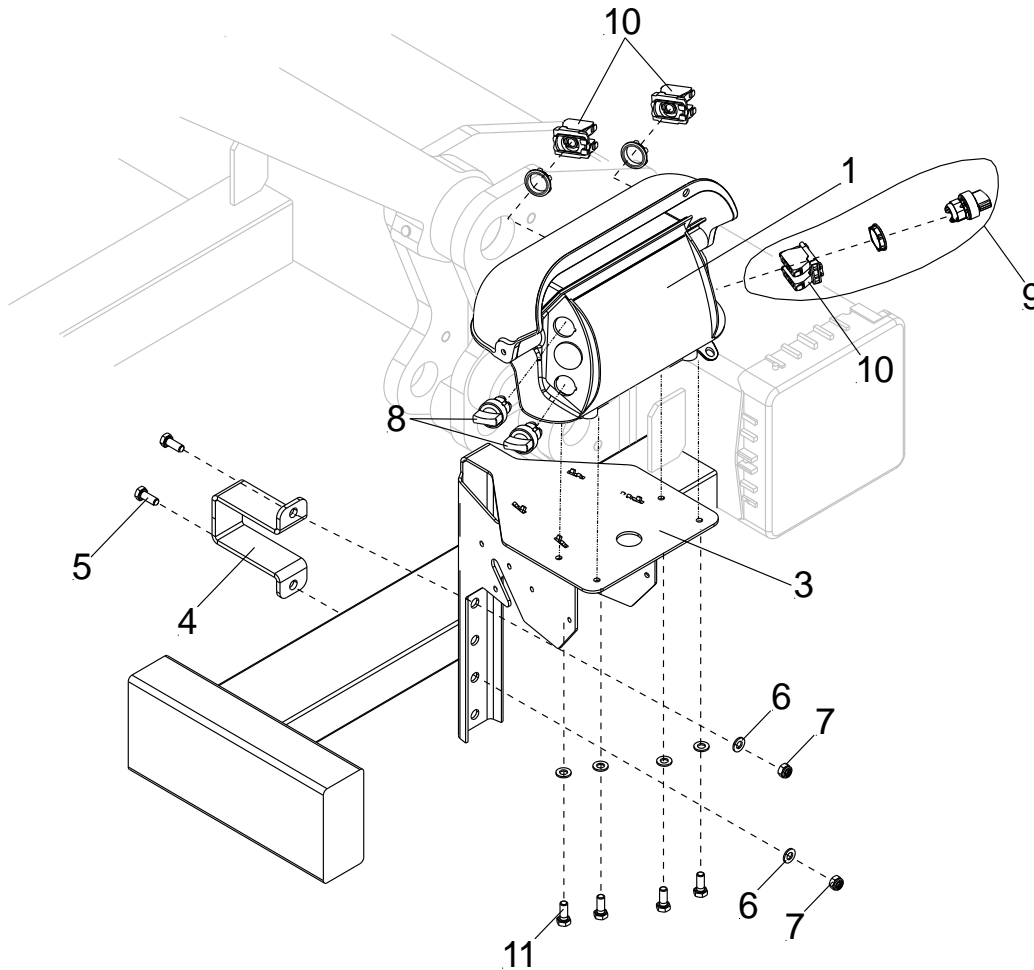
19 – Battery Box Kits			
No.	Description	Part No.	Qty.
1	Battery Box Kit, 4-Battery	50-8016-100	1
1.1	Battery Box Base, Assembly, Large	50-8016-001	1
1.2	Battery Box Lid Assembly	60-7515-012	1
1.3	Kit, 2-Battery Hold Down	60-7515-151	2
1.4	Nut, 3/8"-16, Gr.5	EM 532	1
1.5	Bus Bar, 2-Battery, Black	KET05916A	1
1.6	Bus Bar, 3-Battery, Black	KET05961A	1
1.7	Bus Bar, 3-Battery, Red	KET05962A	1
1.8	Bus Bar, 2-Battery, Red	KET06062A	1
1.9	Grommet, 7/8" Diameter Hole	EK3504	1
1.10	Washer, Split Lock, 3/8"	EK3238	1
1.11	Nut, Serrated, 3/8"-16; Stainless Steel	EM 781	1
1.12	Hex Head Cap Screw, 3/8"-16x1", Gr. 5, Zinc	ES3446	1
2	Battery Box Kit, 2-Battery	50-8016-200	1
2.1	Battery Box, Base, Assembly, 2-Battery	50-8016-201	1
2.2	Lid Assy., Alum	60-7517-018	1
2.3	2-Battery Hold Down Kit	60-7515-151	1
2.4	Nut, 3/8"-16, Gr. 5	EM 532	1
2.5	Bus Bar, 2-Battery, Black	KET05916A	1
2.6	Bus Bar, 2-Battery, Red	KET06062A	1
2.7	Grommet, 7/8" Diameter Hole	EK3504	4
2.8	Washer, Split Lock, 3/8"	EK3238	1
2.9	Nut, Serrated, 3/8"-16, Stainless Steel	EM 781	4
2.10	Hex Head Cap Screw, 3/8"-16x1", Gr.5, Zinc	ES3446	1
3	Battery Box Kit, 2-Battery, w/Channels	60-7517-022	1
3.1	Battery Box, Base, Assembly, 2-Battery, w/Channels	60-7517-020	1
3.2	Lid Assy., Alum	60-7517-018	1
3.3	2-Battery Hold Down Kit	60-7515-151	1
3.4	Nut, 3/8"-16, Gr. 5	EM 532	1
3.5	Bus Bar, 2-Battery, Black	KET05916A	1
3.6	Bus Bar, 2-Battery, Red	KET06062A	1
3.7	Grommet, 7/8" Diameter Hole	EK3504	4
3.8	Washer, Split Lock, 3/8"	EK3238	1
3.9	Nut, Serrated, 3/8"-16, Stainless Steel	EM 781	4
3.10	Hex Head Cap Screw, 3/8"-16x1", Gr.5, Zinc	ES3446	1
4	2-Battery Box Kit, Slide Out Tray	2-000051A	1
4.1	Battery Box Base	2-00060	1
4.2	Slide, Steel, 16"	2-10400	1
4.3	Angle, 2"x2"X26.5"X1/8", Steel	50-8017-003	1
5	Battery, Lead/Acid, Group 31	3-49999	1
6	Battery, AGM, Standard, Group 31	3-49998	1
7	Battery, AGM, Premium, Group 31	3-50003	1

20 Trailer/Truck Charge Kits



20- TRAILER/TRUCK CHARGE KITS			
NO.	DESCRIPTION	PART NO.	QTY.
1	Kit, Truck, 40ft Electrical	70-1115-100	1
1.1	Bus Bar	70-8013-025	1
1.2	Cable, 2GA, 18", 3/8" Lugs, Red	KET05919A	1
1.3	Cable, 2GA, 74", 3/8" Lugs, Black	KET05925A	1
1.4	Cable, 2GA, 480", 3/8" Lugs, Red	KET06314A	1
1.5	Circuit Breaker, 175A, 3/8" Studs, Manual Reset	70-8114-009	1
1.6	Circuit Breaker 175A, 3/8" Studs, Auto Reset	70-8114-008	1
1.7	Hex Head Cap Screw, 1/4-20x1.0", Gr.5, Zinc	ES3443	1
1.8	Nut, Nylock 1/4-20, Zinc	EM 722	1
2	Kit, Trailer, Single Pole	70-1115-101	1
2.1	Socket, Single Pole	70-8015-019	1
2.2	Cable, 2GA, 18", 3/8" Lugs, Red	KET05919A	1
2.3	Cable, 2GA, 74", 3/8" Lugs, Black	KET05925A	1
2.4	Cable, 2GA, 480", 3/8" Lugs, Red	KET06314A	1
2.5	Hex Head Cap Screw, 5/16-18x1"	ES3724	1
2.6	Circuit Breaker, 175A, 3/8" Studs, Auto Reset	70-8114-008	1
2.7	Washer, Flat, 5/16"	EK3217	1
2.8	Nylock, 5/16-18	EM 710	1
2.9	Nut, Nylock, 1/4-20, Zinc	EM 722	1
2.10	Hex Head Cap Screw, 1/4-20x1.0", Gr.5, Zinc	ES3443	1
3	Kit, Trailer, Dual Pole	70-1115-102	1
3.1	Socket, Dual Pole	70-8015-018	1
3.2	Cable, 2ga, 18", 3/8" Lugs, Red	KET05919A	1
3.3	Cable, 2ga, 480", 3/8" Lugs, Black	KET05701A	1
3.4	Cable, 2ga; 480", 3/8" Lugs, Red	KET06314A	1
3.5	Hex Head Cap Screw, 5/16-18x1"	ES3724	1
3.6	Circuit Breaker 175A, 3/8" Studs, Auto Reset	70-8114-008	1
3.7	Washer, Flat, 5/16"	EK3217	1
3.8	Nylock, 5/16-18	EM 710	1
3.9	Nut, Nylock, 1/4-20 Zinc	EM 722	1
3.10	Hex Head Cap Screw, 1/4-20x1.0", Gr.5, Zinc	ES3443	1
4	Kit, Trailer, Dual Nosebox	70-1115-103	1
4.1	Nosebox, Single & Dual Pole Socket	70-8015-020	1
4.2	Cable, 2GA, 18", 3/8" Lugs, Red	KET05919A	1
4.3	Cable, 2GA, 480", 3/8" Lugs, Black	KET05701A	1
4.4	Cable, 2GA; 480", 3/8" Lugs, Red	KET06314A	1
4.5	Hex Head Cap Screw, Tapping, 5/16-18x1.25"	ES3733	1
4.6	Circuit Breaker 175A, 3/8" Studs, Auto Reset	70-8114-008	1
4.7	Nut, Nylock 1/4-20, Zinc	EM 722	1
4.8	Hex Head Cap Screw, 1/4-20x1.0", Gr.5, Zinc	ES3443	1
5	Circuit Breaker 175A, 3/8" Studs, Manual Reset	70-8114-009	1
6	Circuit Breaker 175A, 3/8" Studs, Auto Reset	70-8114-008	1

21 Control Box System



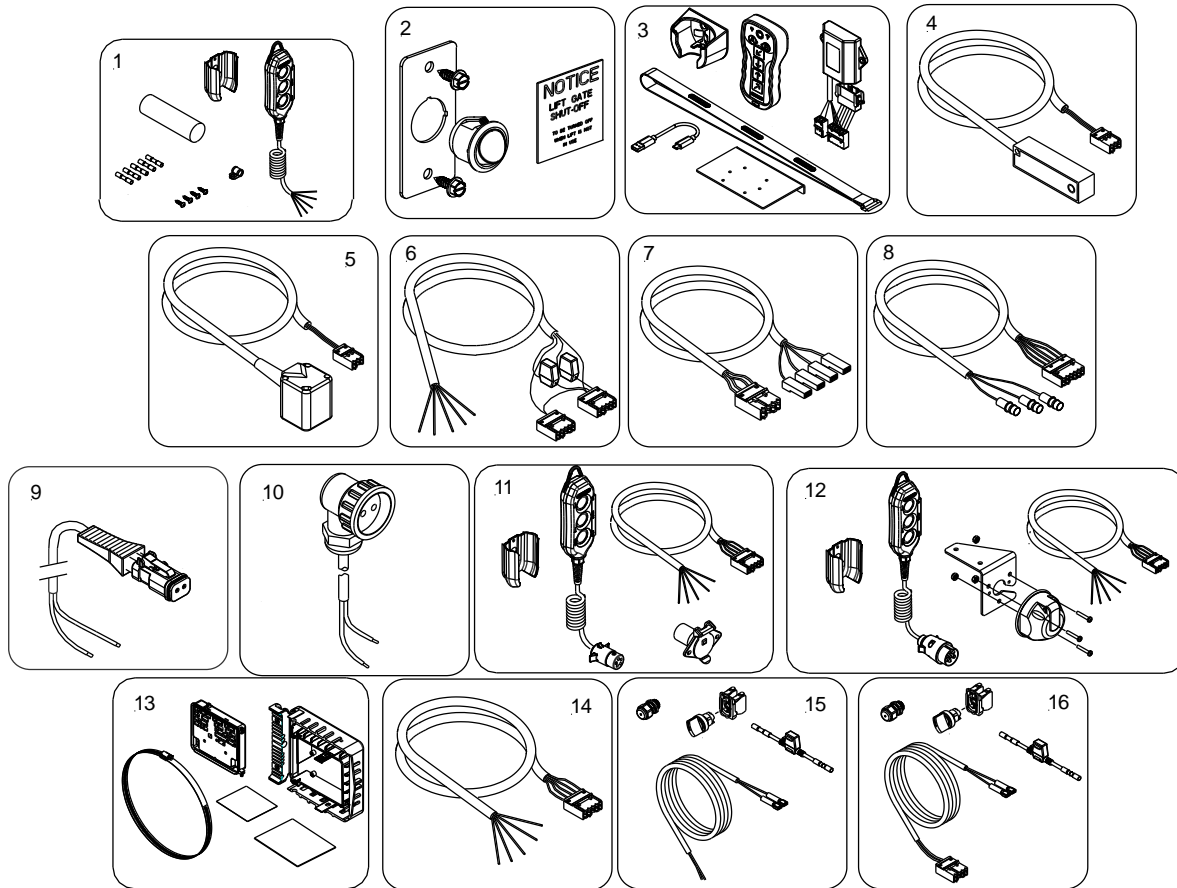
21 – CONTROL BOX SYSTEM						
NO.	DESCRIPTION	ILK 22	ILK 33	ILK 44/55	ILK 66	QTY.
1	Kit, Control Box With Wire Harness	P-2007286	P-2007286	P-2007286	P-2007286	1
	Kit, Control Box With Wire Harness, 2-Hand Oper	P-2007047	P-2007047	P-2007047	P-2007047	1
3	Control Bracket	2016689	2016689	2016689	2016689	1
4	Bracket Brace	P-2016113	2020497	2020497	2020497	1
5	Bolt, M8x20	P-67234898	P-67234898	P-67234898	P-67234898	1
6	Washer, Flat, M8, Zinc	EK2929	EK2929	EK2929	EK2929	1
7	Nut, M8	P-67243366	P-67243366	P-67243366	P-67243366	1
8	Switch, Momentary	P-2007456	P-2007456	P-2007456	P-2007456	1
9	Switch, On/Off (Optional)	P-2009186	P-2009186	P-2009186	P-2009186	1
10	Contact Block	P-2007457	P-2007457	P-2007457	P-2007457	1
11	Screw, Thread Forming, M6x20	P-2006087	P-2006087	P-2006087	P-2006087	1

Palfinger Interlift, LLC.
 15939 Piuma Ave, Cerritos, CA 90703
 Tel: (888) 774-5844, Fax: (562) 924-8318

Palfinger Interlift, LLC.
 572 Whitehead Road, Trenton, NJ 08619
 Tel: (609) 587-4200, Fax: (609) 587-4201

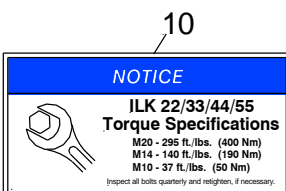
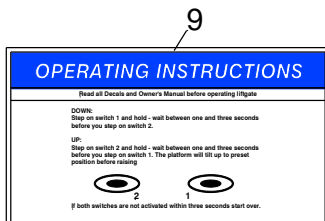
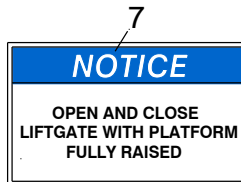
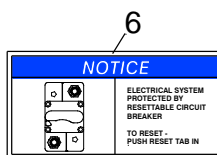
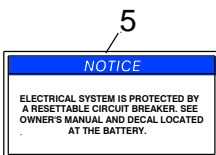
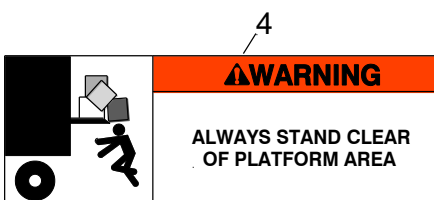
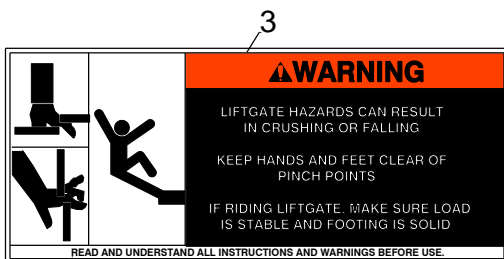
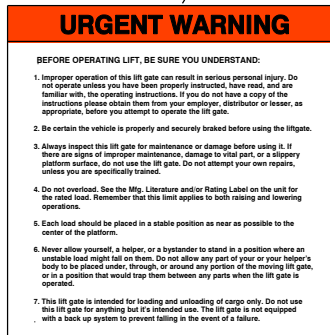
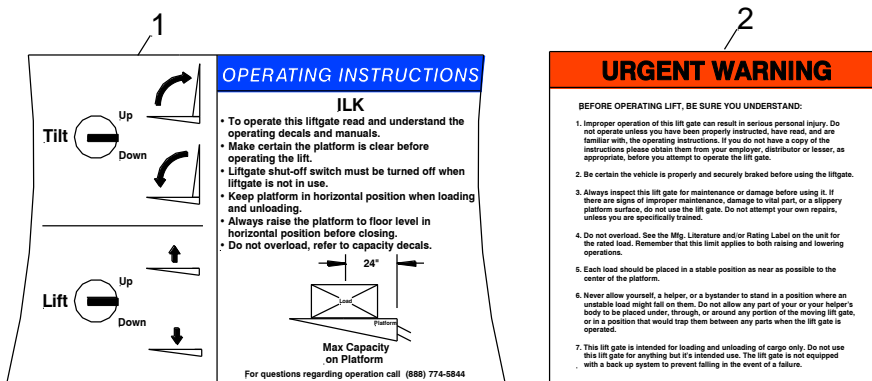
NOTES

22 Controls



22 - CONTROLS			
NO.	DESCRIPTION	PART NO.	QTY.
1	3-Button Hand Remote And Holster Kit	70-7519-010	1
1.1	Remote Holster	ML2050008	1
2	Cab Switch Kit, Round, MBB, 12/24V	2068271A	1
3	Bluetooth Remote Kit, 4-Way	70-7522-040	1
4	Sensor, B13, J41	P-1332476	1
5	Sensor, B15, J41	P-1332485	1
6	Wire Harness, PC Board, J1	P-2007406	1
7	Cable, Cab switch J-11 Round Sw. MBB	2068272	1
8	Harness, Warning LED Lights, Foot Control, J3, 12.7 ft [3900mm]	P-1342776	1
9	Harness, Deutsche Solenoid Valve, J4 (Since 2023)	ML2066028	1
10	Harness, Solenoid Valve, J4 (Until 2023)	P-67254198	1
11	Kit, Hand Control, Plug And Socket, Wire Harness, 5-Way	70-7516-110	1
12	Kit, Hand Control, Plug And Socket, Wire Harness, 7-Way	70-7516-108	1
13	Kit, Control M-Board (PCB), Plus	ML75-0421-010	1
14	Harness, Remote Control, J31, 16 Ft [5000mm]	P-2008922	1
15	Warning Lights ON/OFF Kit	70-0417-000	1
16	Liftgate Shut-OFF Switch Kit (For Trailers)	ML70-0420-080	1

23 Decals



23 - DECALS			
NO.	DESCRIPTION	PART NO.	QTY.
1	Operating Instructions	ATG-ILK	1
2	Urgent Warning Decal	ATG-URGWA	1
3	Warning- Liftgate Hazards	ATG-WLH	1
4	Warning- Stand Clear	ATG-PLAT	1
5	Electrical System	ATG-RESET	1
6	Circuit Breaker, Blue	ATG-BKR	1
7	Notice For Open And Close	ATG-OPENILD	1
8	Up/Down	ATG-CAB	1
9	Foot Control	ATG-FC	1
10	Torque Specifications	85-0415-000	1
11	Liftgate Capacity	ATG-XXXX*	1
12	Decal, ILK QR Code	85-7524-005	1

*XXXX = LIFTGATE CAPACITY (LBS) [EXAMPLE PART NUMBER: ATG- 2200]

Palfinger Interlift, LLC.
15939 Piuma Ave, Cerritos, CA 90703
Tel: (888) 774-5844, Fax: (562) 924-8318

Palfinger Interlift, LLC.
572 Whitehead Road, Trenton, NJ 08619
Tel: (609) 587-4200, Fax: (609) 587-4201



Palfinger Interlift, LLC.
15939 Piuma Ave, Cerritos, CA 90703
Tel: (888) 774-5844, Fax: (562) 924-8318

Palfinger Interlift, LLC.
572 Whitehead Road, Trenton, NJ 08619
Tel: (609) 587-4200, Fax: (609) 587-4201