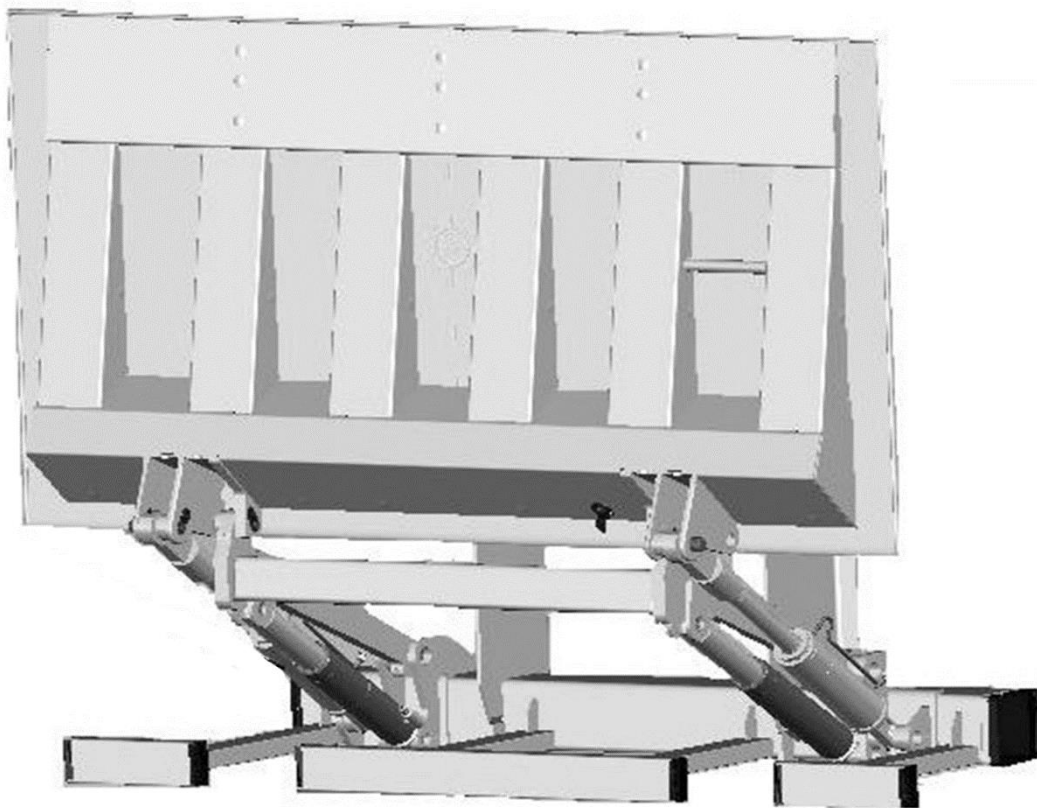


INTERLIFT

BY **PALFINGER**

PARTS MANUAL

ILQ 22, 2200 lbs. Capacity



ILQ 22 Parts Manual
Document Part Number: 90-0614-000
ECN-M1723, Rev. 1.3, 01-23-24
Copyright © 2023 Palfinger Interlift, LLC.
All rights reserved.

Information in this document is subject to change without notice.
Visit www.palfinger.com for up to date information and notifications.

If you received this product with damaged or missing parts,
contact INTERLIFT Liftgates at (888)-774-5844

Parts Order/Inquiries
liftgateparts@palfinger.com

Technical Support
technicalapplications@palfinger.com

INTERLIFT
BY **PALFINGER**
15939 Piuma Ave.
Cerritos, CA 90703
Tel (888) 774-5844
Fax (562) 924-8318

INTERLIFT
BY **PALFINGER**
572 Whitehead Road.
Trenton, NJ 08619
Tel (609) 587-4200
Fax (609) 587-4201

Parts Orders :

- There is a \$50.00 minimum parts order.
- Ground freight is free for spare parts orders exceeding \$1,500.00, excluding platforms, runners, mount frames and other main assemblies.
- Contact parts department, our hours are from 8 am EST in NJ until 5 pm PST in CA
California: (888) 774-5844, or (562)924-8218, ext. 97, 29 , or 15; Fax: (562) 924-8318.
New Jersey: at (609) 587-4200; Fax: (609) 587-4201.
E-mail orders or inquires for both locations to: liftgateparts@palfinger.com
- Next Day Air shipments must be received by 2:30 pm local time at either location.
- To ensure quick delivery when placing an order, please be sure to include: liftgate model, serial number, part number, and description in accordance with spare Parts List.
- Any parts being returned must have Return Merchandise Authorization (RMA) number, copy of invoice and a detailed packing list of returned parts. RMA numbers will be issued by parts department and are valid for 30 days. All returned RMA parts must be returned to INTERLIFT Liftgates by prepaid freight or by call tag.
- Parts must be returned in NEW CONDITION. To receive credit on returned parts, the original purchase date must be within 6 month and authorized by INTERLIFT Liftgates.
- Returned parts are subject to a 20% restocking charge.
- Any part received not in new condition will be subject to inspection and possible refusal. All INTERLIFT Liftgates parts are covered for one year from date of purchase against defects in material and workmanship.
- **Warranty Coverage: part replacement only**

INDEX

ILQ - 4 cylinder liftgate

Important gate information:
On the top of the tube on
the driver side

INTERLIFT		PALFINGER
Cerritos, CA (888) 774-5844	Hainesport, NJ (609) 285-7997	
Model	Serial No.	Date
<input type="text"/>	<input type="text"/>	<input type="text"/>

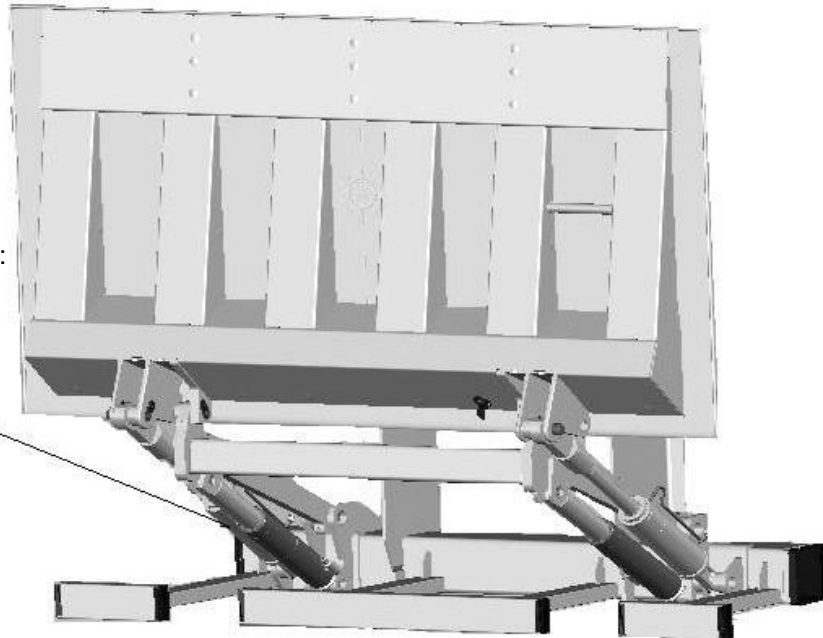


Table of Contents

ILQ LIFTING GEAR5

ILQ PINS & BUSHINGS.....6

ILQ PLATFORM.....7

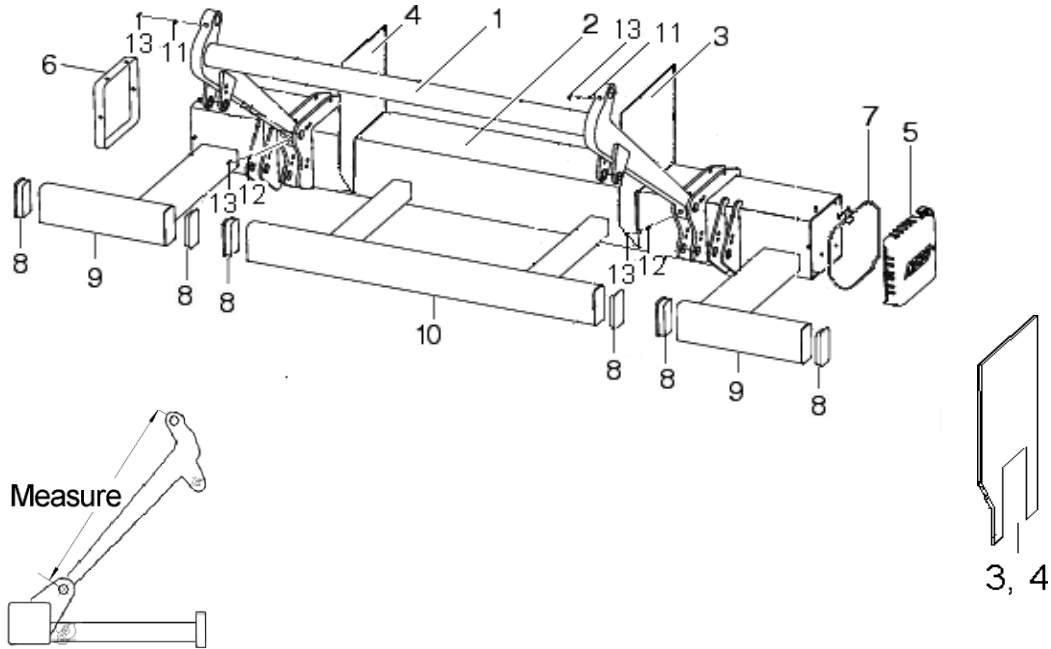
ILQ CONTROL SYSTEM8

ILQ CYLINDER AND COMPONENTS9

ILQ MBB POWER PACK.....10

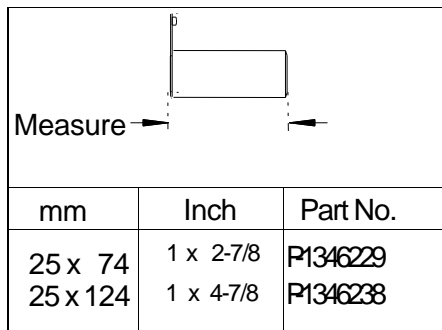
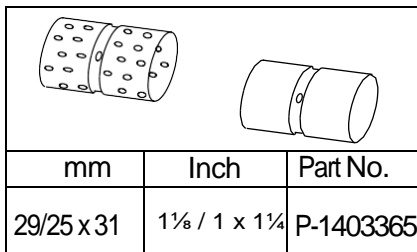
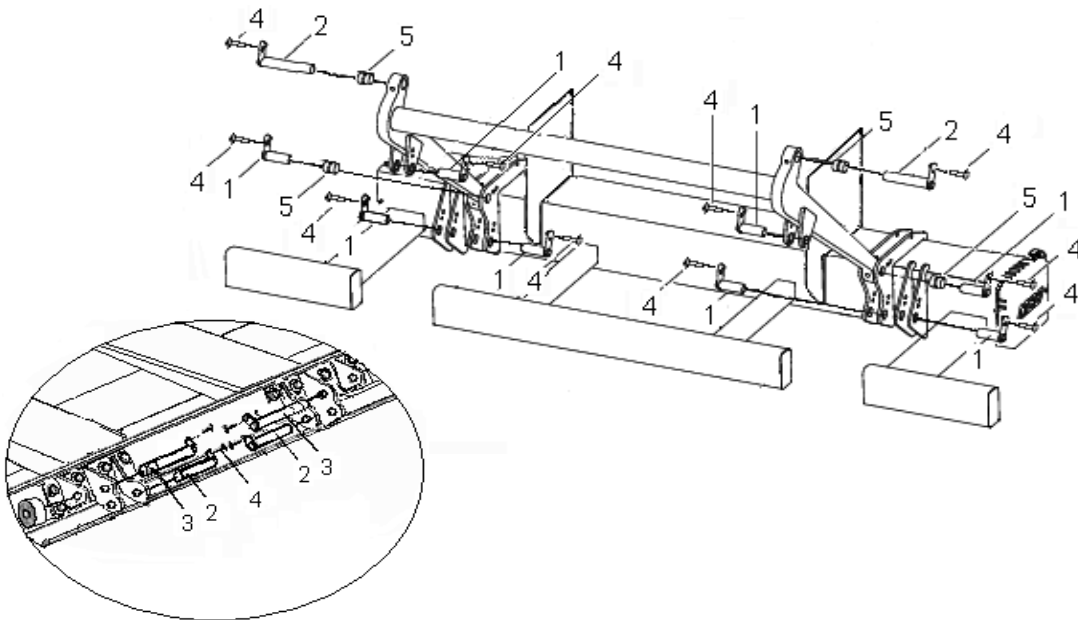
ILQ HYDRAULIC PIPE11

ILQ LIFTING GEAR

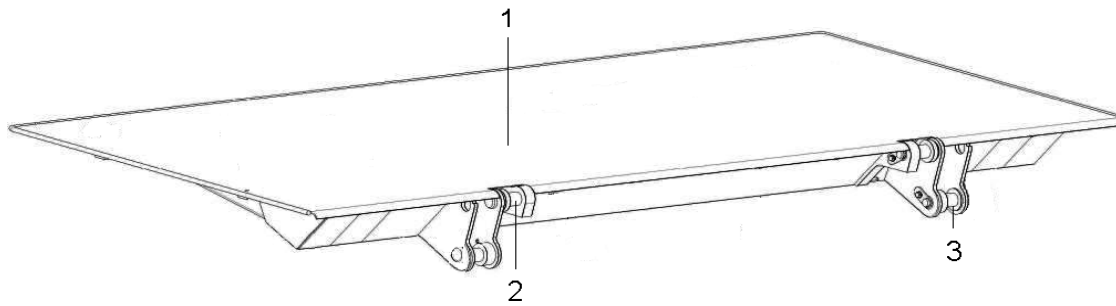


No.	Description	Part no.
1	Lift arm - 700mm (27 ½")	P-1344879
2	Main frame	P-1344495
3	Mount plate - curb side	P-2006915
4	Mount plate - driver side	P-2006915
5	Cover for control system	P-2029906
6	Rubber cover	P-68483018
7	Clamp for cover	P-2010169
8	Mount tube plastic end	P-2013674
9	Bumper - outer	on request
10	Bumper - center	on request
11	Grease zerk	P-2019653
12	Grease zerk 45 degree	P-1284493
13	Red cap	P-1191680

ILQ PINS & BUSHINGS

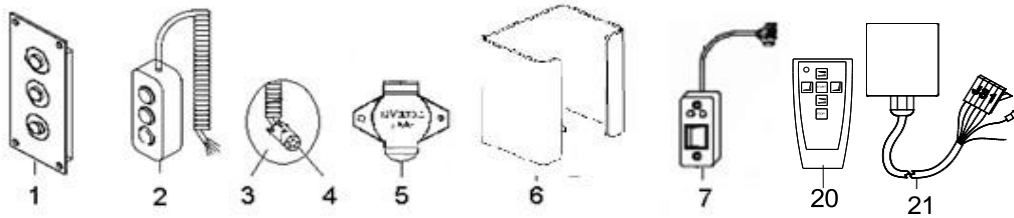


No.	Description	Part no.
	PINS	
1	Pin lift arm, tube ; lift arm, lift cylinder ; tube, cylinders	P-1346229
2	Pin platform, lift arm	P-1346238
3	Pin platform, tilt cylinder	P-1346238
4	Bolt, pin lock	P-2009212
	BUSHINGS	
5	Bushing lift arm	P-1403365
	KITS	
	Pin kit, compl. lifting gear, platform, cylinders, 2 groundrollers	P-1407078
	Bushing kit, compl. lifting gear, platform, cylinders	P-1407086
	Ground Roller kit. Roller, Pin, Wavher, Snap ring, bott	P-1400927

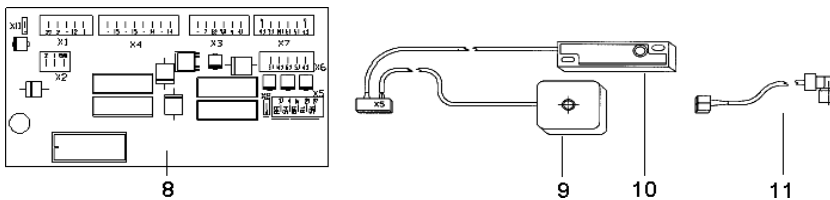
ILQ PLATFORM**Steel platform**

No.	Description	Part no.
1	Platform - steel	on request
2	Pin platform, lift arm	P-1346238
3	Pin platform, tilt cylinder	P-1346238

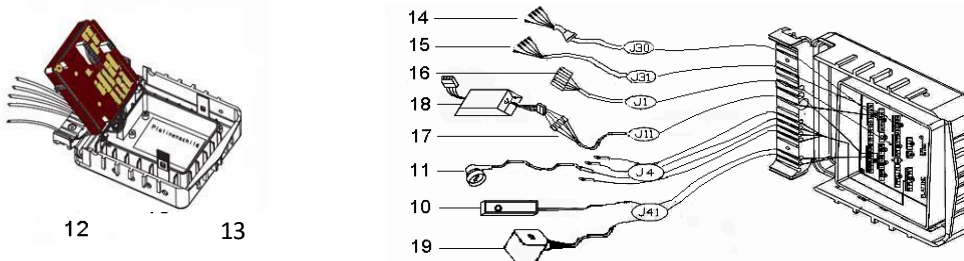
ILQ CONTROL SYSTEM



PC- Board quattro- in the tube on the driver side



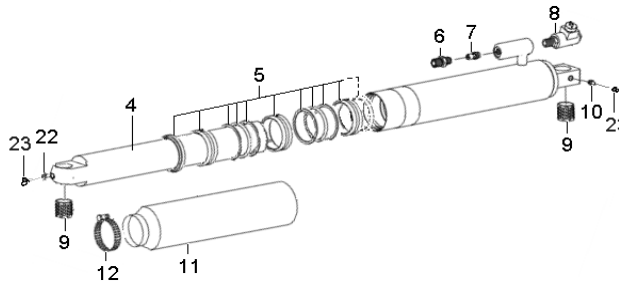
PC- Board K1 plus - in the cover of the passenger side



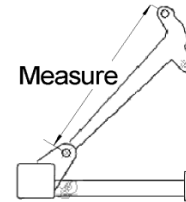
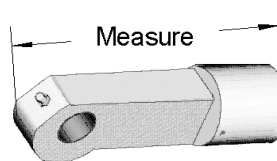
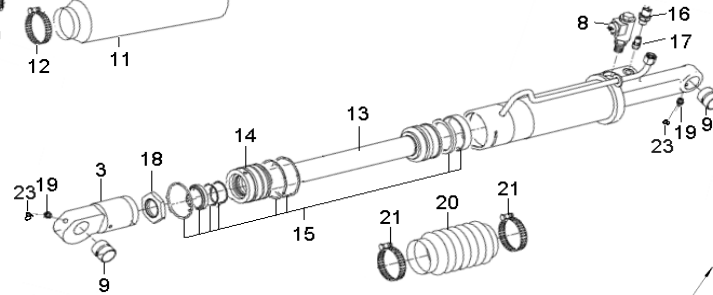
No.	Description	Part no.
1	Control, 3 Button flush mount	P-1404997
2	3 Button hand control with coil	P-1203305
3	3 Button hand control with coil and plug	P-1203305P
	3 Button hand control with coil and 7 way plug	P-1319559
4	Plug, 5 way	3-00020
	Plug, Hella, 7 way	P-1237109
5	Socket, 5 way	3-00021
	Socket, Hella, 7 way w/ seal	P-1299912A
6	Holster for hand control	/1-00050
7	Cab on-off switch	P-1332494
8	PC- Board quattro	P-1407378
9	Sensor B16 for platform (J41) - 3 wire	P-1404176
10	Sensor B13 for lift arm (J41)	P-1332476
11	Cable for solenoid valve (J4)	P-67254198
12	PC- board M Control	P-2029093
13	Cover for control system	P-2029906
14	Wire harness for control box (J30)	P-2007295
15	Wire harness for hand control (J31)	P-2008921
16	Wire harness for power pack (J1)	P-2007406
17	Wire harness for cab on-off switch (J11)	P-2007049
18	Power relay for J11	P-2007044
19	Sensor B16 for platform (J41) - 4 wire	P-2015796
20	Radio control transmitter, 4 way	P-2016979
21	Radio control receiver, 4 way	P-2016978
22	Radio control kit - transmitter and receiver	P-2019956

ILQ CYLINDER AND COMPONENTS

No.1 Lift cylinder



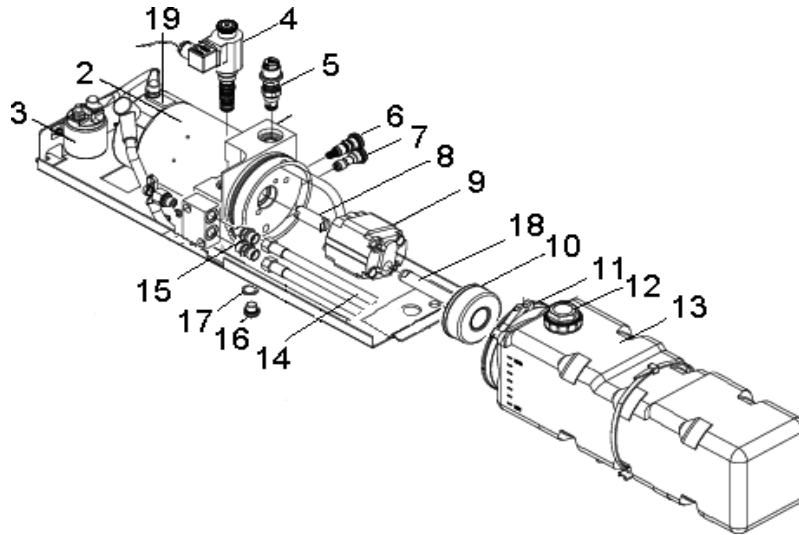
No.2 Tilt cylinder



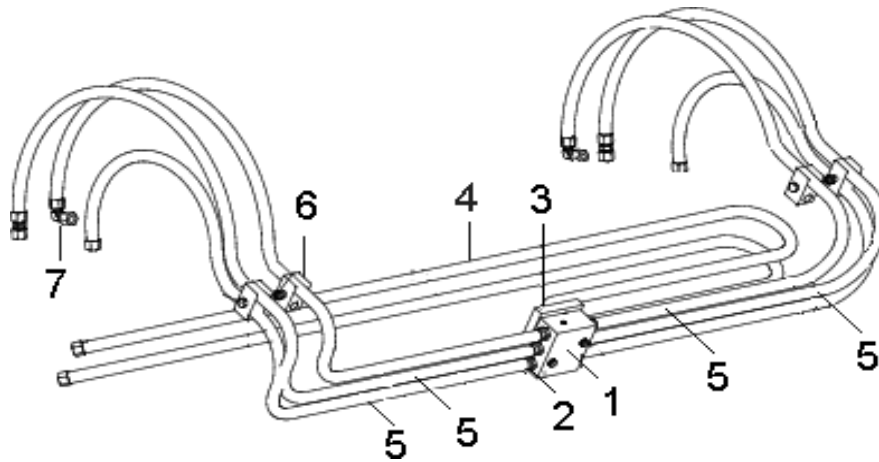
No.3 Adjusting head

No.	Description	Part no.
	<i>Lift arm</i>	700mm (27 1/2")
	<i>Piston rod diameter- lift cylinder</i>	45mm (1 3/4")
	<i>Piston rod diameter- tilt cylinder</i>	30mm (1 1/4")
1	Lift cylinder <i>without release valve</i>	P-1346953
2	Tilt cylinder <i>without release valve</i>	P-1402740
3	Adjusting head (9")	P-1346999
4	Piston rod	P-1403798
5	Rebuild kit - <i>lift cylinder</i>	P-2021846
6	Adaptor / hose fitting	P-1232140
7	Restrictor control valve	P-1355899
8	Release valve	P-67282345
9	Bushing	P-1403365
10	Grease zerk	P-2019653
11	Sleeve - <i>lift cylinder</i>	P-1134658
12	Clamp	P-68430828
13	Piston rod for tilt cylinder	P-1410872
14	End plug	P-1137235
15	Rebuild kit - <i>tilt cylinder</i>	P-1330665
16	Adaptor / hose fitting	P-1188263
17	Restrictor control valve	P-1355899
18	Lock nut for tilt cylinder	P-67271785
19	Grease zerk	P-2019653
20	Rubber bellows	P-67259238
21	Clamp	P-68430828
22	Grease zerk	P-2019653
23	Red cap	P-1191680

ILQ MBB POWER PACK



No.	Description	Part no.
1	Power pack	P-1406008
2	Motor 12 Volt	P-1353555
3	Motor solenoid	P-1320127
4	Shift valve (S-5)	P-1299412
5	Pressure control valve	P-1298111
6	Shuttle valve since 1998	P-1405972
	Flow divider till 1998	P-1298102
7	Flow control valve (R5)	P-1298086
8	Coupler	P-1406264
9	Pump	P-1404480
10	Pump filter	P-1298022
11	Clamp for oil reservoir	P-1362509
12	Breather cap	P-1362518
13	Oil reservoir	P-1362492
14	Hydraulic hose	P-1112885
15	Adaptor	P-1188263
16	Drain plug	P-66373088
17	Sealing washer	P-1298013
18	Pipe	on request
19	Carbon brushes kit (4 pieces)	P-1410330

ILQ HYDRAULIC PIPE

No.	Description	Part no.
1	Alu valve block with adaptor	P-1330067
2	Hose fitting	P-1188263
3	Hose fitting	P-1149677
4	Hydraulic hose - <i>each</i>	P-1112885
5	Hydraulic hose - <i>each</i>	P-1273114
6	Plastic holder	P-1406960
7	Fitting - 90° elbow	P-1232266

