

INTERLIFT

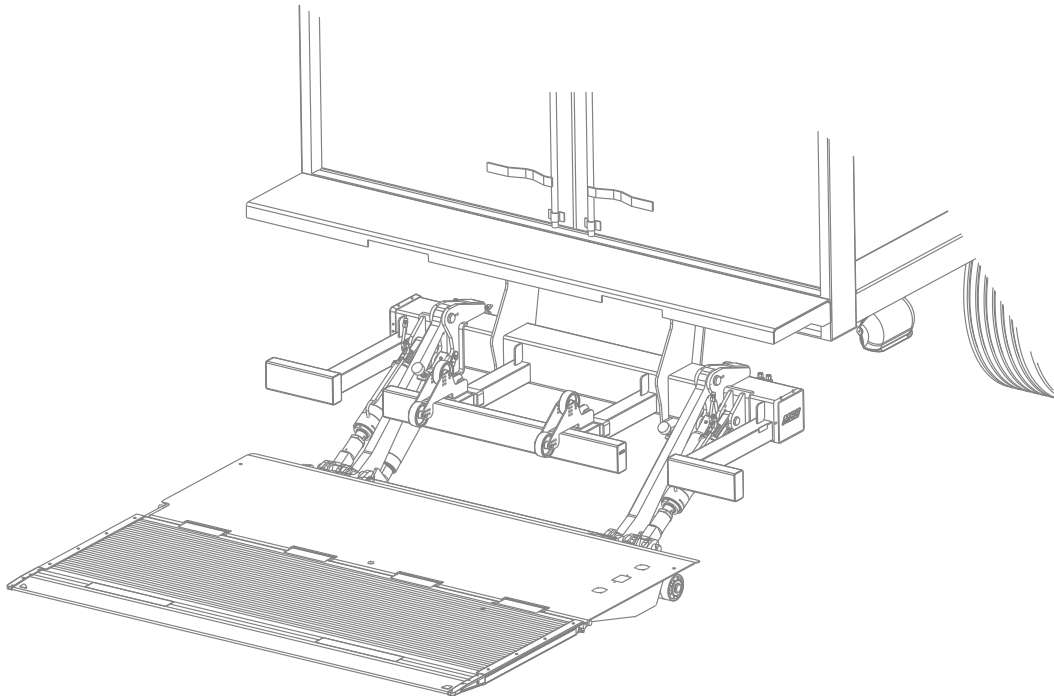
BY PALFINGER

PARTS MANUAL

ILF 33, 3300 lbs. Capacity

ILF 44, 4400 lbs. Capacity

ILF 55, 5500 lbs. Capacity



ILF 33/44/55 Parts Manual
Document Part Number: 90-0814-000
ECN-M1723, Rev. 1.6, 01-22-24
Copyright © 2023 Palfinger Interlift, LLC.
All rights reserved.

Information in this document is subject to change without notice.
Visit www.palfinger.com for up to date information and notifications.

If you received this product with damaged or missing parts,
contact INTERLIFT Liftgates at (888)-774-5844

Parts Order/Inquiries
liftgateparts@palfinger.com

Technical Support
technicalapplications@palfinger.com

INTERLIFT
BY **PALFINGER**
15939 Piuma Ave.
Cerritos, CA 90703
Tel (888) 774-5844
Fax (562) 924-8318

INTERLIFT
BY **PALFINGER**
572 Whitehead Road.
Trenton, NJ 08619
Tel (609) 587-4200
Fax (609) 587-4201

Parts Orders :

- There is a \$50.00 minimum parts order.
- Ground freight is free for spare parts orders exceeding \$1,500.00, excluding platforms, runners, mount frames and other main assemblies.
- Contact parts department, our hours are from 8 am EST in NJ until 5 pm PST in CA
California: (888) 774-5844, or (562)924-8218, ext. 97, 29 , or 15; Fax: (562) 924-8318.
New Jersey: at (609) 587-4200; Fax: (609) 587-4201.
E-mail orders or inquires for both locations to: liftgateparts@palfinger.com
- Next Day Air shipments must be received by 2:30 pm local time at either location.
- To ensure quick delivery when placing an order, please be sure to include: liftgate model, serial number, part number, and description in accordance with spare Parts List.
- Any parts being returned must have Return Merchandise Authorization (RMA) number, copy of invoice and a detailed packing list of returned parts. RMA numbers will be issued by parts department and are valid for 30 days. All returned RMA parts must be returned to INTERLIFT Liftgates by prepaid freight or by call tag.
- Parts must be returned in NEW CONDITION. To receive credit on returned parts, the original purchase date must be within 6 month and authorized by INTERLIFT Liftgates.
- Returned parts are subject to a 20% restocking charge.
- Any part received not in new condition will be subject to inspection and possible refusal. All INTERLIFT Liftgates parts are covered for one year from date of purchase against defects in material and workmanship.
- **Warranty Coverage: part replacement only**

INDEX

ILF

Auto- Fold

Important gate information:
On the top of the tube on
the driver side

INTERLIFT		PALFINGER
Cerritos, CA (888) 774 - 5844		
Hainesport, NJ (609) 285 - 7597		
Model	Serial No.	Date
<input type="text"/>	<input type="text"/>	<input type="text"/>

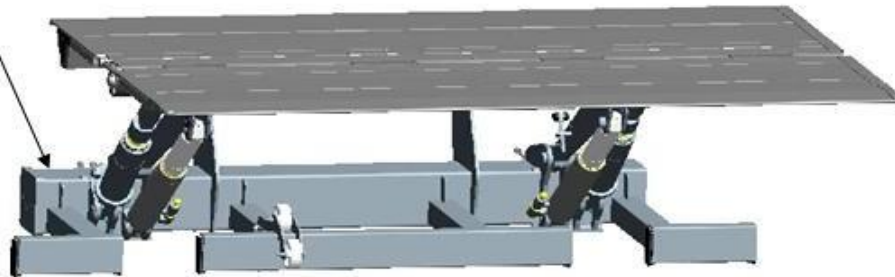


Table of Contents

ILF LIFTING GEAR.....4

ILF PINS & BUSHINGS.....5

ILF BED EXTENSION AND BUMPERS.....6

ILF PLATFORM7

ILF PLATFORM8

ILF CONTROL SYSTEM9

ILF PLUS PC-BOARD AND CABLES10

ILF CYLINDER.....11

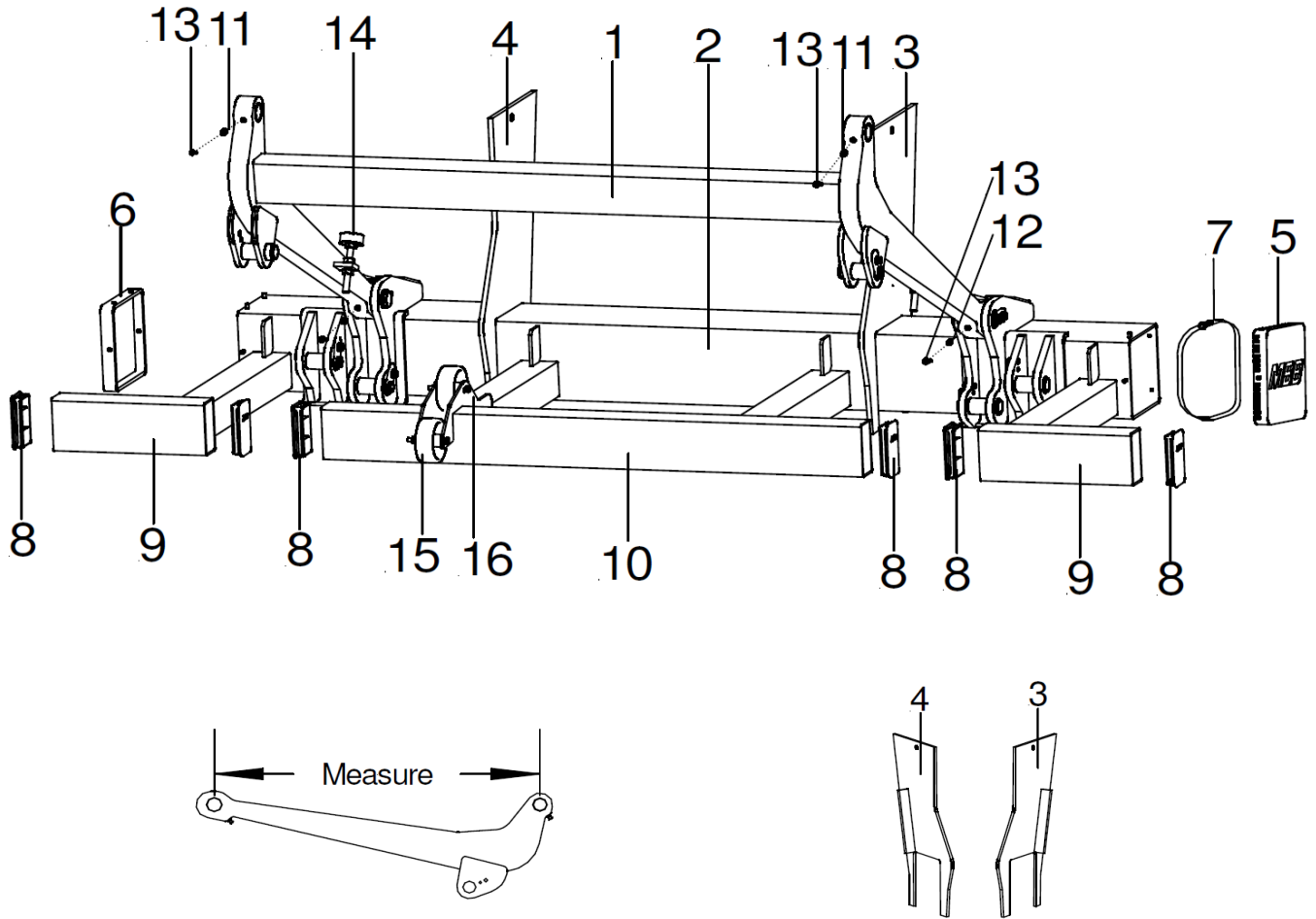
ILF CYLINDER COMPONENTS12

ILF MBB POWER PACK.....13

ILF BOSCH POWER PACK.....14

ILF HYDRAULIC PIPE15

ILF LIFTING GEAR

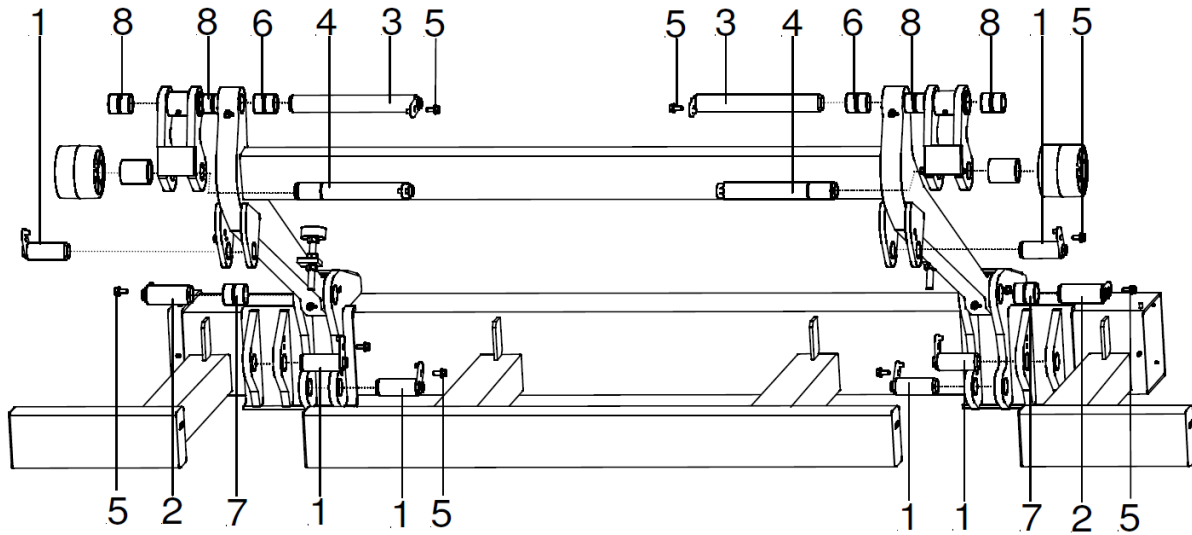


No.	Description	ILF 33	ILF 44	ILF 55
1	Lift arm	P-1408017	P-2009088	P-2009088
2	Main frame	P-2005720	P-1410267	P-1410267
3	Mount plate - curb side	on request	on request	on request
4	Mount plate - driver side	on request	on request	on request
5	Cover with hinge - for control system	P-2029906	P-2029906	P-2029906
6	Rubber cover	P-68483018	P-68483018	P-68483018
7	Clamp for cover	P-2010169	P-2010169	P-2010169
8	Mount tube plastic end	P-71019233	P-71019233	P-71019233
9	Bumper - outer	P-91050150	P-91050150	P-91050150
10	Bumper - center	P-91050050	P-91050050	P-91050050
11	Grease zerk	P-2019653	P-2019653	P-2019653
12	Grease zerk 45 degree	P-1284493	P-1284493	P-1284493
13	Red cap	P-1191680	P-1191680	P-1191680
14	Rubber snubber with hardware	P-1128624	P-1128624	P-1128624
15	Wheel with hardware	P-2003774	P-2003774	P-2003774
16	Bracket for wheels (just bracket)	on request	P-2015074	P-2015074

Palfinger Interlift, LLC.
 15939 Piuma Ave, Cerritos, CA 90703
 Tel: (888) 774-5844, Fax: (562) 924-8318

Palfinger Interlift, LLC.
 572 Whitehead Road, Trenton, NJ 08619
 Tel: (609) 587-4200, Fax: (609) 587-4201

ILF PINS & BUSHINGS



mm	Inch	Part No.
32 / 28 x 31	1 1/4 / 1 1/8 x 1 1/4	P-1403367
32 / 28 x 36	1 1/4 / 1 1/8 x 1 3/8	P-1403364
32 / 28 x 48	1 1/4 / 1 1/8 x 1 7/8	P-2004646
40 / 36 x 36	1 5/8 / 1 3/8 x 1 3/8	P-1403366
40 / 36 x 41	1 5/8 / 1 3/8 x 1 5/8	P-1403363
44 / 40 x 41	1 3/4 / 1 5/8 x 1 5/8	P-1403362

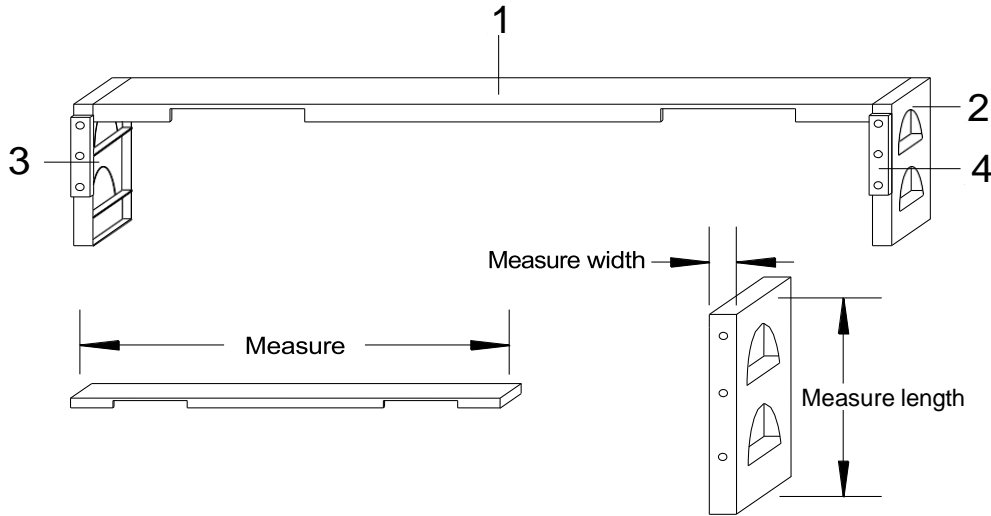
mm	Inch	Part No.
28 x 99	1 1/8 x 3 7/8	P-1326307
28 x 180	1 1/8 x 7 1/8	P-1354169
28 x 187	1 1/8 x 7 3/8	P-71942287
36 x 91	1 3/8 x 3 5/8	P-1350394
36 x 228	1 3/8 x 9	P-2007823
36 x 255	1 3/8 x 10	P-1408315
40 x 95	1 5/8 x 3 3/4	P-1331371

No.	Description	ILF 33	ILF 44	ILF 55
PINS				
1	Pin lift arm, lift cylinder ; tube, cylinder	P-1326307	P-1350394	P-1350394
2	Pin tube, lift arm	P-1350394	P-1331371	P-1331371
3	Pin lift arm, shackle, platform	P-71942287	P-1408315	P-1408315
4	Pin incl. ground roller kit	P-1405023	GRKILF44	GRKILF44
5	Bolt, pin lock	P-2009212	P-2009212	P-2009212
BUSHINGS				
6	Bushing lift arm	P-1403364	P-1403363	P-1403363
7	Bushing lift arm	P-1403366	P-1403362	P-1403362
8	Bushing - steel/alu platform shackle	N/A	P-1403363	P-1403363
	Bushing - alu/alu platform shackle	P-2004646	N/A	N/A
KITS				
	Pin kit lifting gear, platform, cylinders, incl.2 ground rollers	PKILF33	PKILF44	PKILF44
	Bushing kit, compl. lifting gear, platform, cylinders	BKILF33	BKILF44	BKILF44

Palfinger Interlift, LLC.
15939 Piuma Ave, Cerritos, CA 90703
Tel: (888) 774-5844, Fax: (562) 924-8318

Palfinger Interlift, LLC.
572 Whitehead Road, Trenton, NJ 08619
Tel: (609) 587-4200, Fax: (609) 587-4201

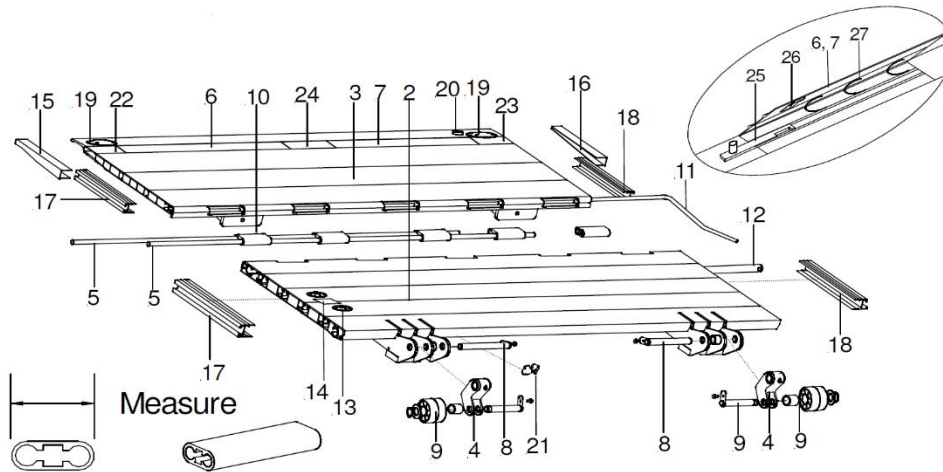
ILF BED EXTENSION AND BUMPERS



No.	Description	Part no.
BED EXTENSION		
1	for ILF 33 - length 102" (2600mm)	P-1407182
	for ILF 44, 55 - length 101" (2560mm)	ML60-0814-000
DOCK BUMPER - CURB SIDE		
2	2 Step length 24" (610mm), width 3" (76mm)	1-0001924R
	length 24" (610mm), width 4" (101mm) - <i>HD</i>	1-0001924HDR
	length 24" (610mm), width 4" (101mm) - <i>HD with lights</i>	1-0001924HDR-LC
	1 Step length 20" (533mm), width 3" (76mm)	1-0001920R
DOCK BUMPER - DRIVER SIDE		
3	2 Step length 24" (610mm), width 3" (76mm)	1-0001924L
	length 24" (610mm), width 4" (101mm) - <i>HD</i>	1-0001924HDL
	length 24" (610mm), width 4" (101mm) - <i>HD with lights</i>	1-0001924HDL-LC
	1 Step length 20" (533mm), width 3" (76mm)	1-0001920L
RUBBER BUMPER		
4	Rubber bumper	1-00021
KITS (Curb and driver side)		
2 Step	Dock bumper - length 24" (610mm), width 3" (76mm)	1-0001924S
	Dock bumper HD - length 24" (610mm), width 4" (101mm)	1-0001924HDS
	Dock bumper HD with lights - length 24" (610mm), width 4" (101mm)	1-0001924HDS-OR
1 Step	Dock bumper - length 20" (533mm), width 3" (76mm)	1-0001920S

ILF PLATFORM

Aluminum platform



No.	Description	ILF 33
1	Platform - <i>alu / alu</i>	4PFA3362
2	Main section	on request
3	Tip section	on request
4	Shackle	P-1184926
5	Rod - diameter 20mm (3/4")	P-9831722365
6	Cart stop lid - <i>curb side</i>	P-2006698
7	Cart stop lid - <i>driver side</i>	P-2006697
8	Pin lift arm, shackle, platform	see page 5
9	Pin incl. ground roller kit	P-1405023
10	Hinge - width 3" length 7 7/8" (200mm) - cut to required length	P-1408513
11	Torsion bar - diameter 3/8" (9mm) - <i>curb side</i>	P-2006407
	Torsion bar - diameter 3/8" (9mm) - <i>driver side</i>	P-2006406
	Torsion bar - diameter 1/2" (12mm) - <i>driver side</i>	P-2000463
12	Torsion bar retainer	P-1408525
13	Foot control button 2-wire	P-1330945
14	Plate	P-1341966
15	Aluminum cap tip - <i>curb side - with cart stops</i>	P-1408523
	Aluminum cap tip - <i>curb side - without cart stops</i>	on request
16	Aluminum cap tip - <i>driver side - with cart stops</i>	P-1408524
	Aluminum cap tip - <i>driver side - without cart stops</i>	on request
17	Side profile - <i>curb side - cut to required length</i>	P-1408521
18	Side profile - <i>driver side - cut to required length</i>	P-1408522
19	Warning light - LED	P-1406365
20	Rubber snub with hex head bolt	P-71042936
21	Plastic bracket	P-2019337
22	Side fill in - <i>curb side - cut to required length</i>	P-2006651
23	Side fill in - <i>driver side - cut to required length</i>	P-2006651
24	Center fill in	P-2000267
25	Interlock latch - <i>curb side</i>	P-2000888A
	Interlock latch - <i>driver side</i>	P-1409347A
26	Spring clip	P-1409349
27	Spring	P-1408661

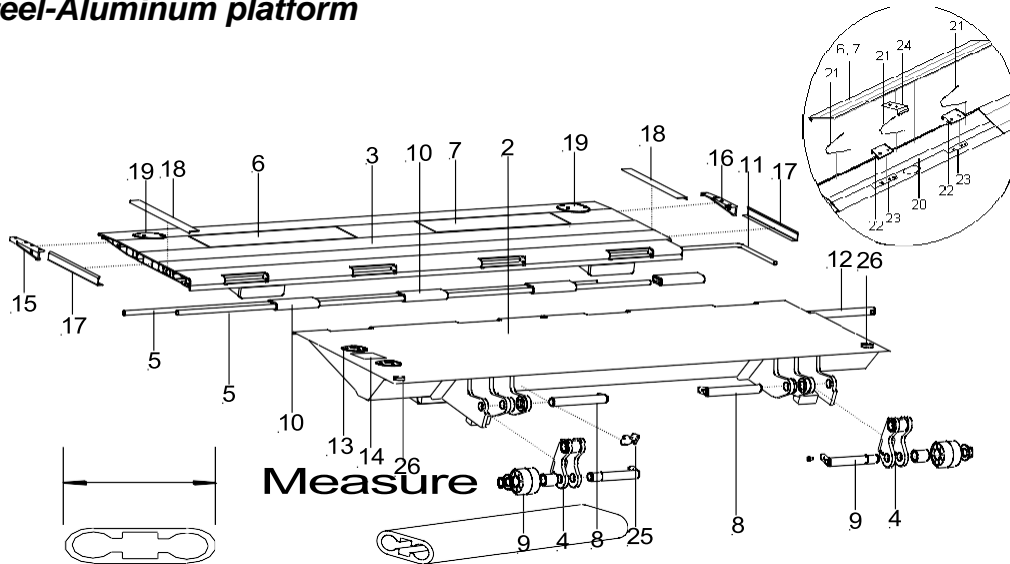
Palfinger Interlift, LLC.
 15939 Piuma Ave, Cerritos, CA 90703
 Tel: (888) 774-5844, Fax: (562) 924-8318

Palfinger Interlift, LLC.
 572 Whitehead Road, Trenton, NJ 08619
 Tel: (609) 587-4200, Fax: (609) 587-4201

ILF PLATFORM

Cartstop – spring loaded

Steel-Aluminum platform



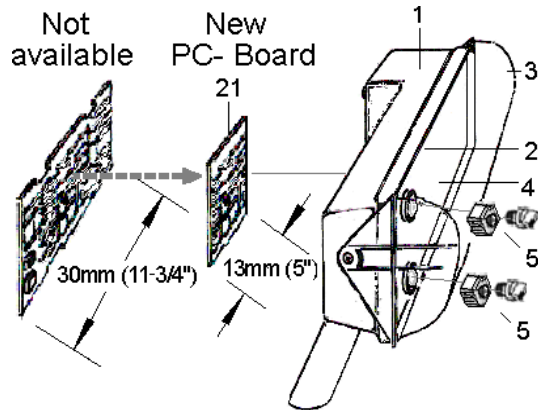
No.	Description	ILF 44	ILF 55
1	Platform with cartstops - steel-alu	4PFA424F-W/CS	4PFA424F-W/CS
	Platform without cartstops - steel-alu	4PFA424F	4PFA424F
2	Main section	on request	on request
3	Tip section	on request	on request
4	Shackle	P-2007769	P-2007769
5	Rod - diameter 20mm (3/4")	P-9831722365	P-9831722365
6	Cart stop lid - curb side	P-2006698	P-2006698
7	Cart stop lid - driver side	P-2006697	P-2006697
8	Pin lift arm, shackle, platform	see page 5	see page 5
9	Pin incl. ground roller kit	GRKILF44	GRKILF44
10	Hinge - width 3" length 7 7/8"(200mm) - cut to required length	P-1408513	P-1408513
11	Torsion bar	P-2000463	P-2000463
12	Torsion bar retainer	P-1408525	P-1408525
13	Foot control button 2-wire	P-1330945	P-1330945
14	Plate	P-1341966	P-1341966
15	Plastic cap tip - curb side - with cart stops	P-9083239000	P-9083239000
	Plastic cap tip - curb side - without cart stops	P-9081336000	P-9081336000
16	Plastic cap tip - driver side - with cart stops	P-9083238000	P-9083238000
	Plastic cap tip - driver side - without cart stops	P-9081336010	P-9081336010
17	Side profile bottom	P-9832521700	P-9832521701
18	Side profile top	P-1244631	P-1244632
19	Warning light - LED	P-1406365	P-1406365
20	Sliding rod	P-1406248	P-1406248
21	Spring	P-1408661	P-1408661
22	Plastic hold down clip	P-2004637	P-2004637
23	Plastic rod support	P-1406245	P-1406245
24	Spring clip	P-1409349	P-1409349
25	Plastic bracket	P-2019337	P-2019337
26	Rubber snub with hex head bolt	P-71042936	P-71042936

Palfinger Interlift, LLC.
 15939 Piuma Ave, Cerritos, CA 90703
 Tel: (888) 774-5844, Fax: (562) 924-8318

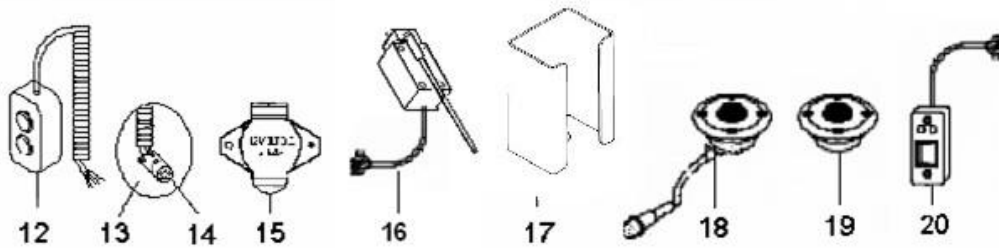
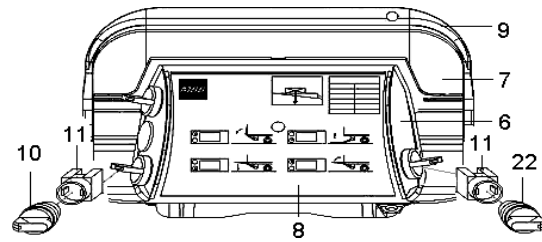
Palfinger Interlift, LLC.
 572 Whitehead Road, Trenton, NJ 08619
 Tel: (609) 587-4200, Fax: (609) 587-4201

ILF CONTROL SYSTEM

Until 2004: K- style

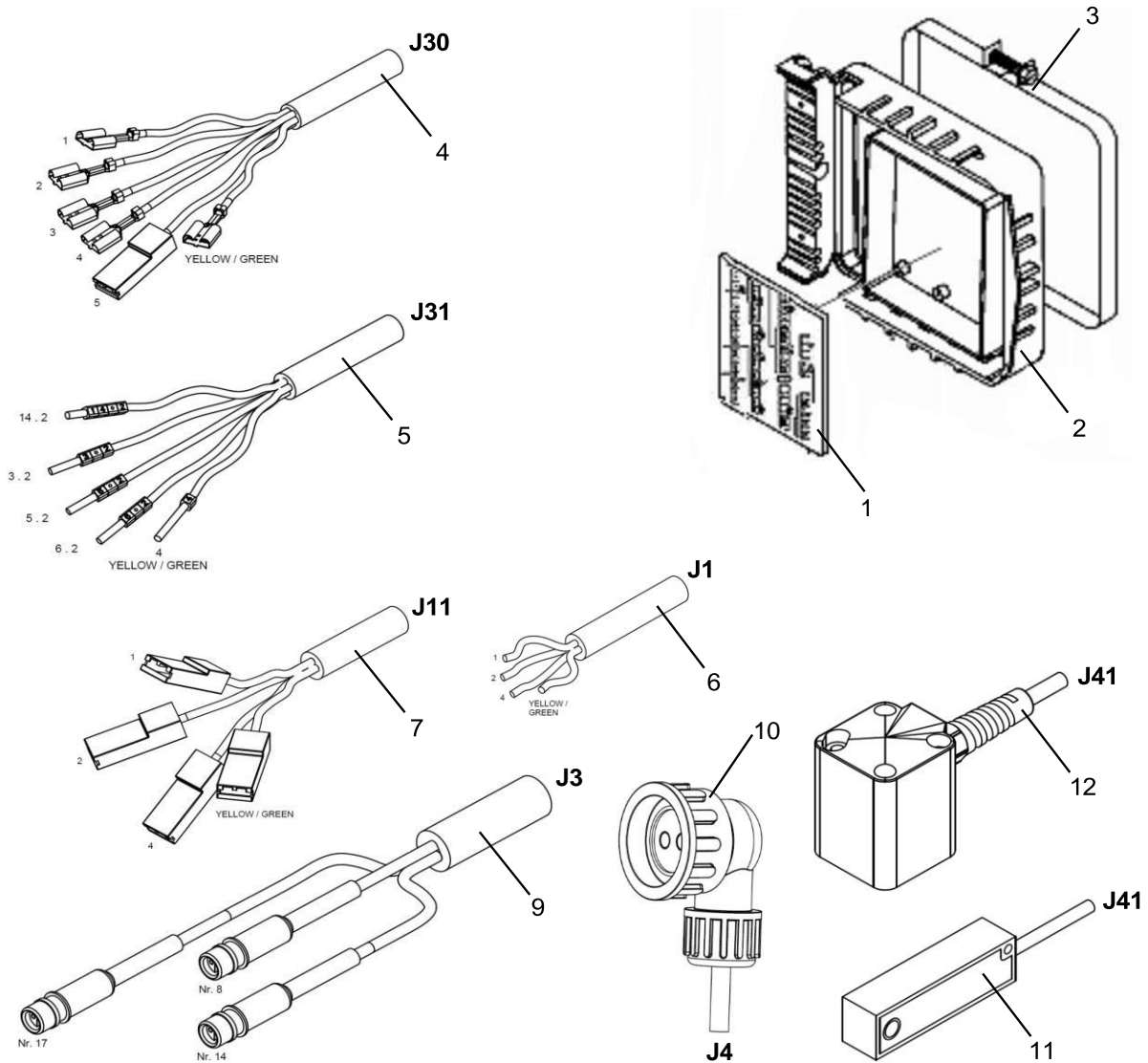


Since 2004: K plus- style



No.	Description	Part No.
1	Complete outer plastic box	P-1338263
2	Control panel with PC-board - conversion kit	P-2012524F
3	Flip down lid	P-1319393
4	Plastic cover control box	P-1228744
5	Momentary turn knob and contact block	P-2011543
6	Control box with PC-board and harness	P-2033819
6	Control box with cable (without PC-board)	P-2007286
7	Complete outer plastic box	P-2009205
8	Operation lable	ATG-ILF
9	Flip down lid	P-2007476
10	Momentary turn knob	P-2007456
11	Contact block	P-2007457
12	2 Button hand control with coil	P-72916816
13	2 Button hand control with coil and plug	P-72916816P
13	2 Button hand control with coil and 7 way plug	P-1300135
14	Plug, 4 way	3-00010
14	Plug, Hella, 7 way	P-1237109
15	Socket, 4 way	3-00011
15	Socket, Hella, 7 way w/ seal	P-1299912A
16	Limit switch	P-1188914
17	Holster for hand control	P-2023801
18	Foot control button 2 wire	P-1330945
19	Foot control button	P-1405256
20	Cab on-off switch	P-1332494
21	PC- Board - <i>K plus style</i>	P-2012524F
22	On- off switch	P-2009186

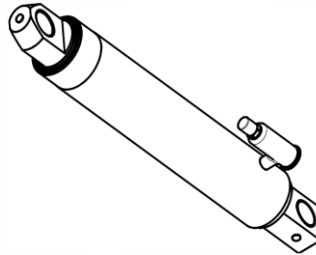
ILF PLUS PC-BOARD AND CABLES



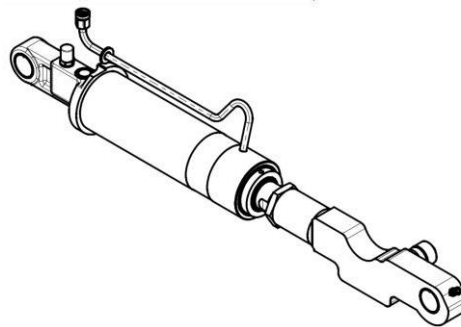
No.	Description	Part No.
1	PC- board M Control	P-2029091A
2	Cover for control system	P-2029906
3	Clamp for cover	P-2010169
4	Wire harness for control box (J30)	P-2007295
5	Wire harness for hand control (J31)	P-2008921
6	Wire harness for power pack (J1)	P-2007406
7	Wire harness for cab on-off switch (J11)	P-2007049
9	Wire harness for warning lights and foot control (J3)	P-1342776
10	Cable for solenoid valve (J4)	P-67254198
11	Sensor B13 for lift arm (J41)	P-1332476
12	Sensor B15 for platform (J41)	P-1332485
Kit		

ILF CYLINDER

No.1 Lift cylinder

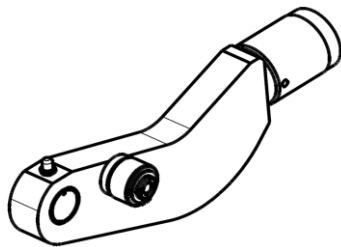


No.2 Tilt cylinder

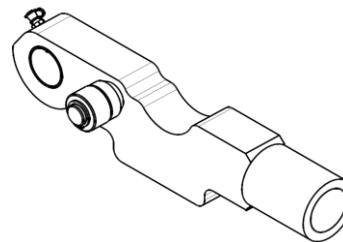


**ILF 44/55
curb side**

No.3 Adjusting head



**ILF 33
curb side**

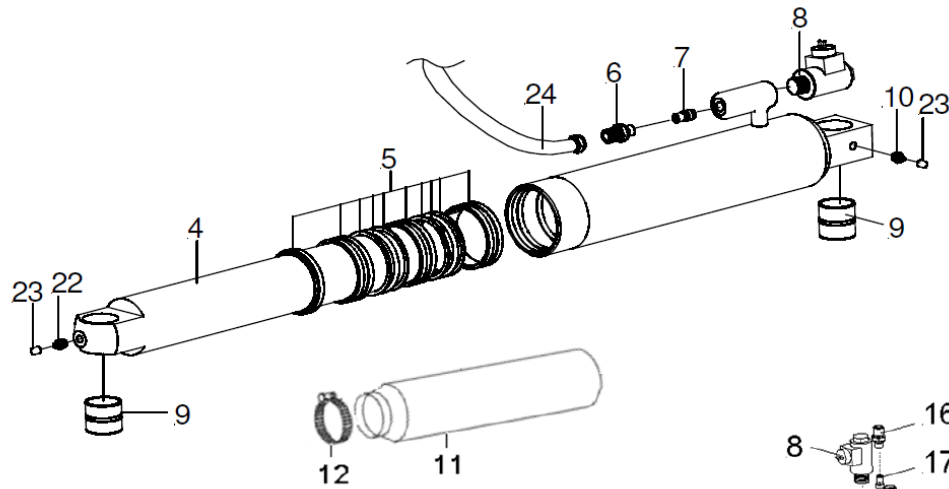


**ILF 44/55
curb side**

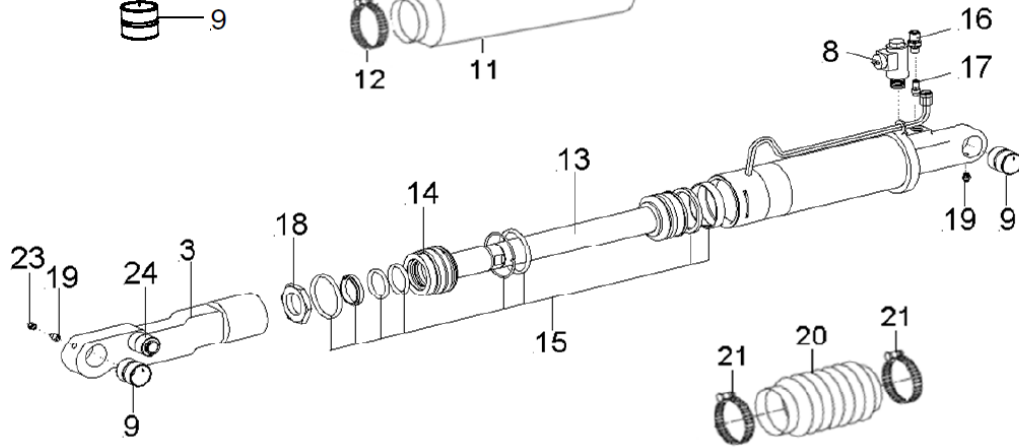
No.	Description	ILF 33	ILF 44	ILF 55
1	Lift cylinder <i>without release valve</i>	P-1343854	P-1350167	P-1350167
2	Tilt cylinder <i>without release valve - curb side</i>	P-1408236	P-2039175	P-2039175
	Tilt cylinder <i>without release valve - driver side</i>	P-1408235	P-2039176	P-2039176
3	Adjusting head - <i>curb side</i>	P-2012123	P-2012118	P-2012118
	Adjusting head - <i>driver side</i>	P-2012122	P-2012119	P-2012119

ILF CYLINDER COMPONENTS

Lift cylinder



Tilt cylinder



No.	Description	ILF 33	ILF 44	ILF 55
		<i>Piston rod diameter- lift cylinder</i>	55mm (2 ¼")	70mm (2 ¾")
		<i>Piston rod diameter- tilt cylinder</i>	40mm (1 ½")	45mm (1 ¾")
3	Adjusting head	see no.3 on page 11 'ILF CYLINDER'		
4	Piston rod	P-1401503	P-1403799	P-1403799
5	Rebuild kit	P-2005323	P-2021847	P-2021847
6	Adaptor / hose fitting	P-1188263	P-1188263	P-1188263
7	Restrictor control valve	P-1355942	P-1363828	P-1363828
8	Release valve 12V	P-67282345	P-67282345	P-67282345
9	Bushing	ELG1039	P-1403363	P-1403363
10	Grease zerk	P-2019653	P-2019653	P-2019653
11	Sleeve - lift cylinder	P-1099010	P-1098362	P-1098362
12	Clamp	P-68430828	P-68734258	P-68734258
13	Piston rod for tilt cylinder	P-2000878	P-1410866	P-1410866
14	End plug	P-68274001	P-68813557	P-68813557
15	Rebuild kit - tilt cylinder	P-1330674	P-1330683	P-1330683
16	Adaptor / hose fitting	P-1188263	P-1188263	P-1188263
17	Restrictor control valve	P-1355942	P-1325551	P-1325551
18	Lock nut for tilt cylinder	P-67265408	P-71597563	P-71597563
19	Grease zerk	P-2019653	P-2019653	P-2019653
20	Rubber bellows	P-67259238	P-68724546	P-68724546
21	Clamp	P-68430828	P-68430828	P-68430828
22	Grease zerk	P-2019653	P-1284493	P-1284493
23	Red cap	P-1191680	P-1191680	P-1191680
23	Hydraulic hose - each	P-70605848	P-70605848	P-70605848
24	Roller, Adjusting Head	P-70969092	P-70969092	P-70969092

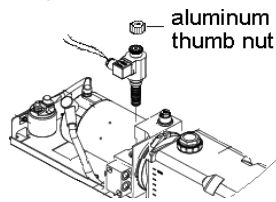
Palfinger Interlift, LLC.
 15939 Piuma Ave, Cerritos, CA 90703
 Tel: (888) 774-5844, Fax: (562) 924-8318

Palfinger Interlift, LLC.
 572 Whitehead Road, Trenton, NJ 08619
 Tel: (609) 587-4200, Fax: (609) 587-4201

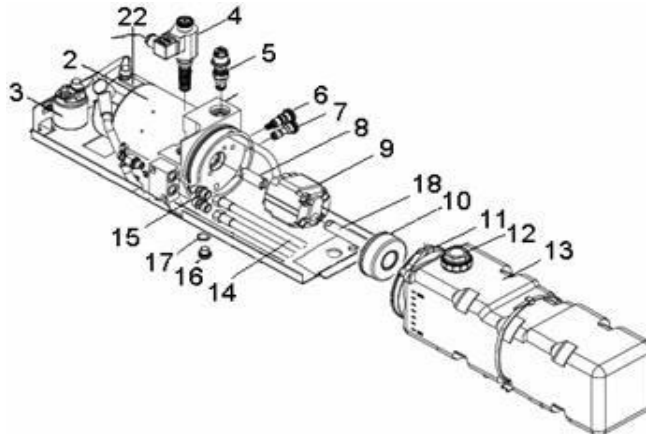
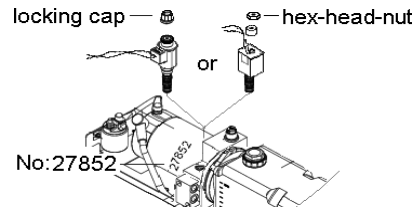
ILF MBB POWER PACK

How to identify:

MBB



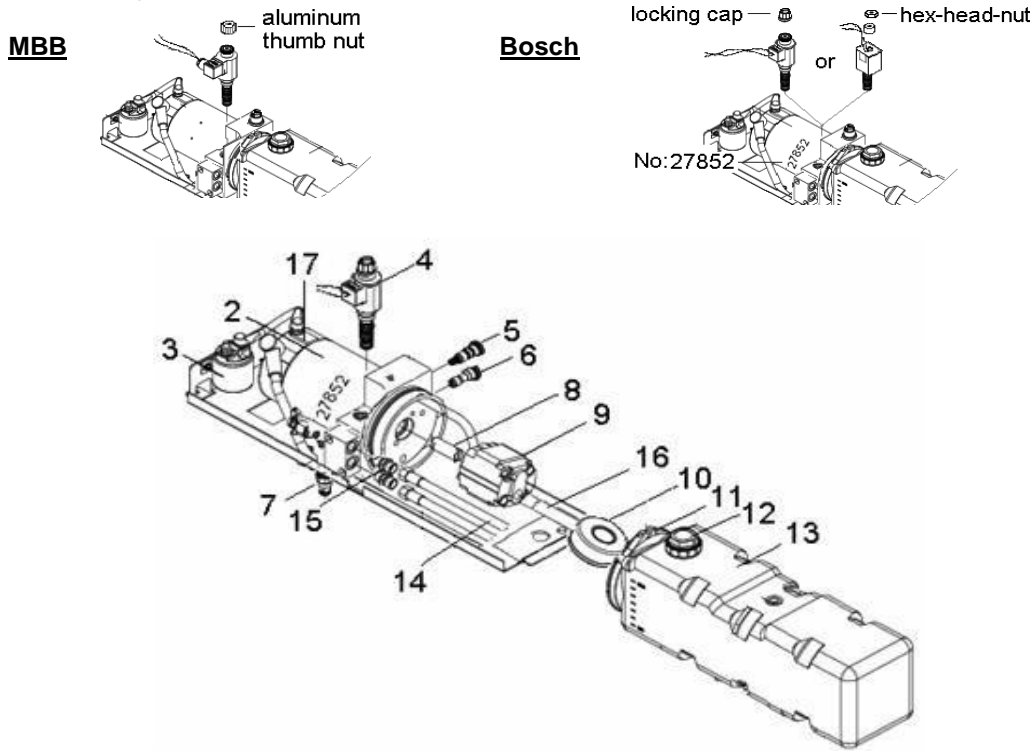
Bosch



No.	Description	ILF 33	ILF 44	ILF 55
1	Power pack	P-1406000	P-1406000	P-1406000
2	Motor 12 Volt	P-1353555	P-1353555	P-1353555
3	Motor solenoid	P-1320127	P-1320127	P-1320127
4	Shift valve (S-5)	P-1299412	P-1299412	P-1299412
5	Pressure control valve	P-1298111	P-1298111	P-1298111
6	Shuttle valve <i>since 1998</i>	P-1405972	P-1405972	P-1405972
	Flow divider <i>till 1998</i>	P-1298102	P-1298102	P-1298102
7	Flow control valve (R5)	P-1298086	P-1298086	P-1298086
8	Coupler	P-1406264	P-1406264	P-1406264
9	Pump	P-1298068	P-1298068	P-1298068
10	Pump filter	P-1298022	P-1298022	P-1298022
11	Clamp for oil reservoir	P-1362509	P-1362509	P-1362509
12	Breather cap	P-1362518	P-1362518	P-1362518
13	Oil reservoir	P-1362483	P-1362483	P-1362483
14	Hydraulic hose	P-1112885	P-1112885	P-1112885
15	Adaptor	P-1188263	P-1188263	P-1188263
16	Drain plug	P-66373088	P-66373088	P-66373088
17	Sealing washer	P-1298013	P-1298013	P-1298013
18	Pipe	on request	on request	on request
22	Carbon brushes kit (4 pieces)	P-1410330	P-1410330	P-1410330

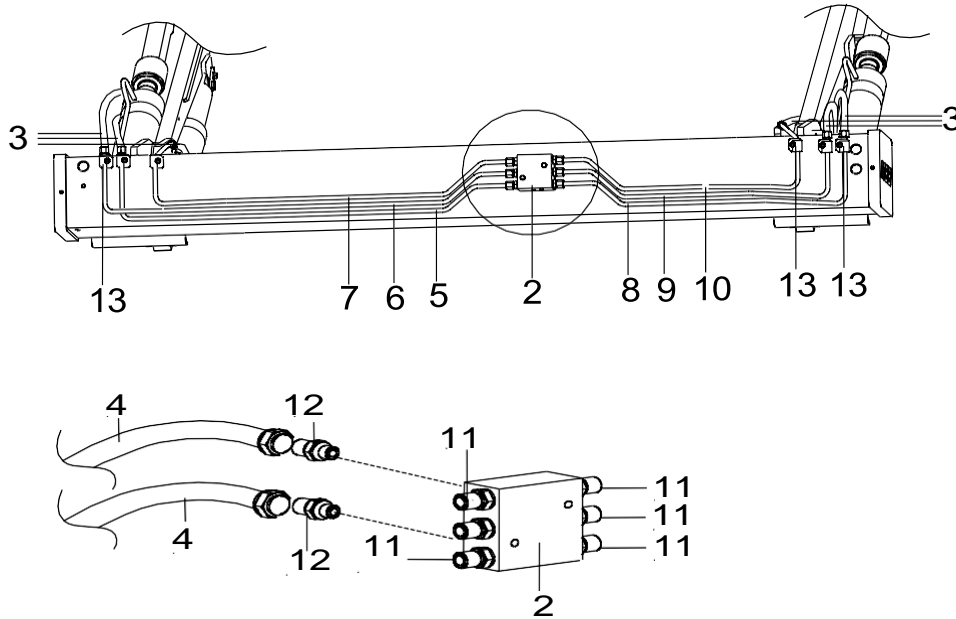
ILF BOSCH POWER PACK

How to identify:



No.	Description	ILF 33	ILF 44	ILF 55
1	Power pack	N/A	N/A	N/A
2	Motor 12 Volt	P-1298264	P-1298264	P-1298264
3	Motor solenoid	P-1320127	P-1320127	P-1320127
4	Shift valve (S5)	P-1058804	P-1058804	P-1058804
5	Pressure release valve	P-1058760	P-1058760	P-1058760
6	Shuttle valve	P-72335694	P-72335694	P-72335694
7	Flow control valve (R5)	P-1058653	P-1058653	P-1058653
8	Coupler	P-68807808	P-68807808	P-68807808
9	Pump	P-1058831	P-1058831	P-1058831
10	Screen	P-70411385	P-70411385	P-70411385
11	Reservoir clamp set	P-1404308	P-1404308	P-1404308
12	Cap with filter	P-1401680	P-1401680	P-1401680
13	Oil reservoir	P-70411296	P-70411296	P-70411296
14	Hydraulic Hose	P-1112885	P-1112885	P-1112885
15	Adaptor	P-1188263	P-1188263	P-1188263
16	Pipe	on request	on request	on request
17	Carbon brushes kit (4 pieces)	P-1116767	P-1116767	P-1116767

ILF HYDRAULIC PIPE



No.	Description	ILF 33	ILF 44	ILF 55
1	Hydraulic pipe kit (without hoses)	P-1401079	P-1401079	P-1401079
2	Alu valve block with adaptor	P-1330067	P-1330067	P-1330067
3	Hydraulic hose kit - 6 pieces	P-1303233	P-1303233	P-1303233
	Hydraulic hose - each	P-70605848	P-70605848	P-70605848
4	Hydraulic hose to power pack - each	P-1112885	P-1112885	P-1112885
5	Pipe - lower curb side	P-1129989	P-1129989	P-1129989
6	Pipe - med. curb side	P-1129998	P-1129998	P-1129998
7	Pipe - top curb side	P-1129970	P-1129970	P-1129970
8	Pipe - lower driver side	P-1129943	P-1129943	P-1129943
9	Pipe - med. driver side	P-1129952	P-1129952	P-1129952
10	Pipe - top driver side	P-1129961	P-1129961	P-1129961
11	Hose fitting	P-1188263	P-1188263	P-1188263
12	Hose fitting	P-1149677	P-1149677	P-1149677
13	Plastic holder	P-1108532	P-1108532	P-1108532

