

INTERLIFT

BY PALFINGER

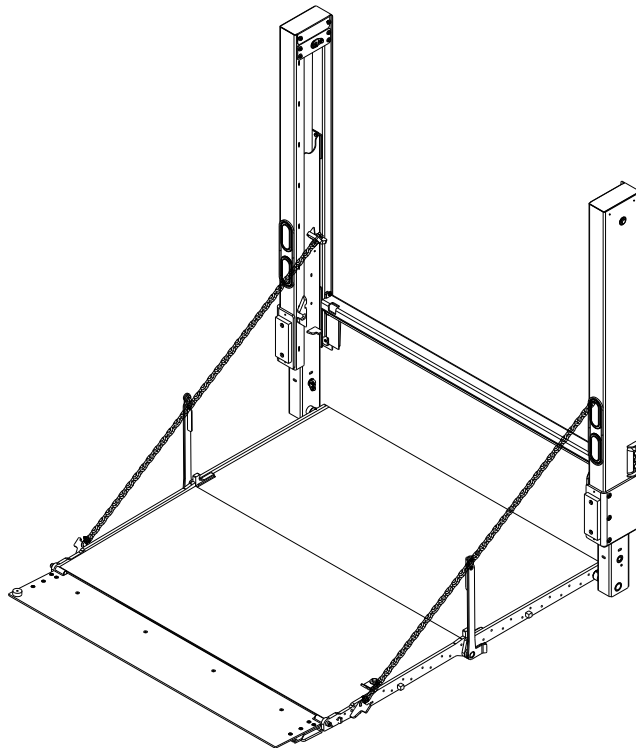
PARTS MANUAL

PTV 35, 3500 lbs. Capacity

PTV 44, 4400 lbs. Capacity

PTV 55, 5500 lbs. Capacity

PTV 66, 6600 lbs. Capacity



PTV 35/44/55/66 Parts Manual
Document Part Number: 90-1121-102 / 21-680_90-00_01-02
ECN-M1723, Rev. 1.2, 12-14-23
Copyright © 2023 Palfinger Interlift, LLC.
All rights reserved.

Information in this document is subject to change without notice.
Visit www.palfinger.com for up to date information and notifications.

If you received this product with damaged or missing parts,
contact INTERLIFT Liftgates at (888)-774-5844

Parts Order/Inquiries
liftgateparts@palfinger.com

Technical Support
technicalapplications@palfinger.com



BY **PALFINGER**

15939 Piuma Ave.
Cerritos, CA 90703
Tel (888) 774-5844
Fax (562) 924-8318



BY **PALFINGER**

572 Whitehead Road.
Trenton, NJ 08619
Tel (609) 587-4200
Fax (609) 587-4201

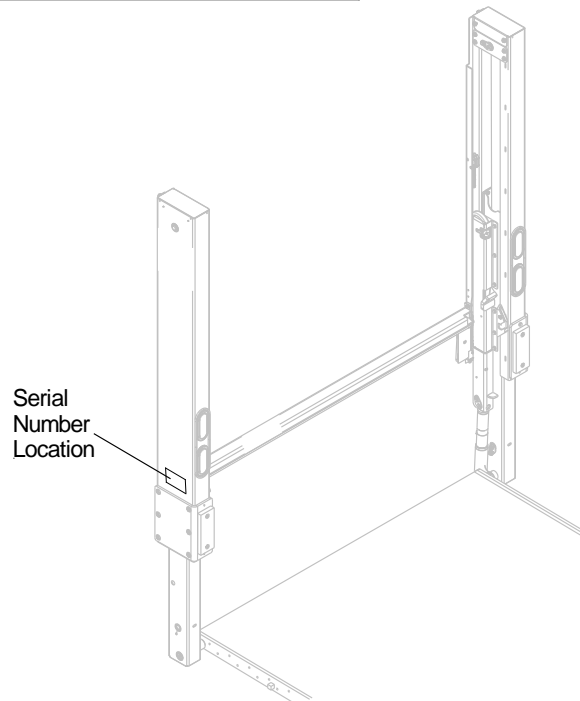
Parts Orders:

- There is a \$50.00 minimum parts order.
- Ground freight is free for spare parts orders exceeding \$1,500.00, excluding platforms, runners, mount frames and other main assemblies.
- Contact parts department, our hours are from 8 am EST in NJ until 5 pm PST in CA
- California: (888) 774-5844, or (562)924-8218, ext. 97, 29 , or 15; Fax: (562) 924-8318.
New Jersey: at (609) 587-4200; Fax: (609) 587-4201.
E-mail orders or inquiries for both locations to: liftgateparts@palfinger.com
- Next Day Air shipments must be received by 2:30 pm local time at either location.
- To ensure quick delivery when placing an order, please be sure to include: liftgate model, serial number, part number, and description in accordance with spare Parts List.
- Any parts being returned must have Return Merchandise Authorization (RMA) number, copy of invoice and a detailed packing list of returned parts. RMA numbers will be issued by parts department and are valid for 30 days. All returned RMA parts must be returned to INTERLIFT Liftgates by prepaid freight or by call tag.
- Parts must be returned in NEW CONDITION. To receive credit on returned parts, the original purchase date must be within 6 month and authorized by INTERLIFT Liftgates.
- Returned parts are subject to a 20% restocking charge.
- Any part received not in new condition will be subject to inspection and possible refusal. All INTERLIFT Liftgates parts are covered for one year from date of purchase against defects in material and workmanship.
- **Warranty Coverage: part replacement only.**

Important Liftgate Information:

1. Liftgate serial information can be found on the driver side column. Please have the liftgate information ready when ordering parts to assure parts are replaced accurately.

PALFINGER			Cerritos, CA. Trenton, N.J.	OR	PALFINGER PTV ML680-VL-A 0123456789
(888) 774-5844					
Model	Serial No.	Date			
<input type="text"/>	<input type="text"/>	<input type="text"/>			



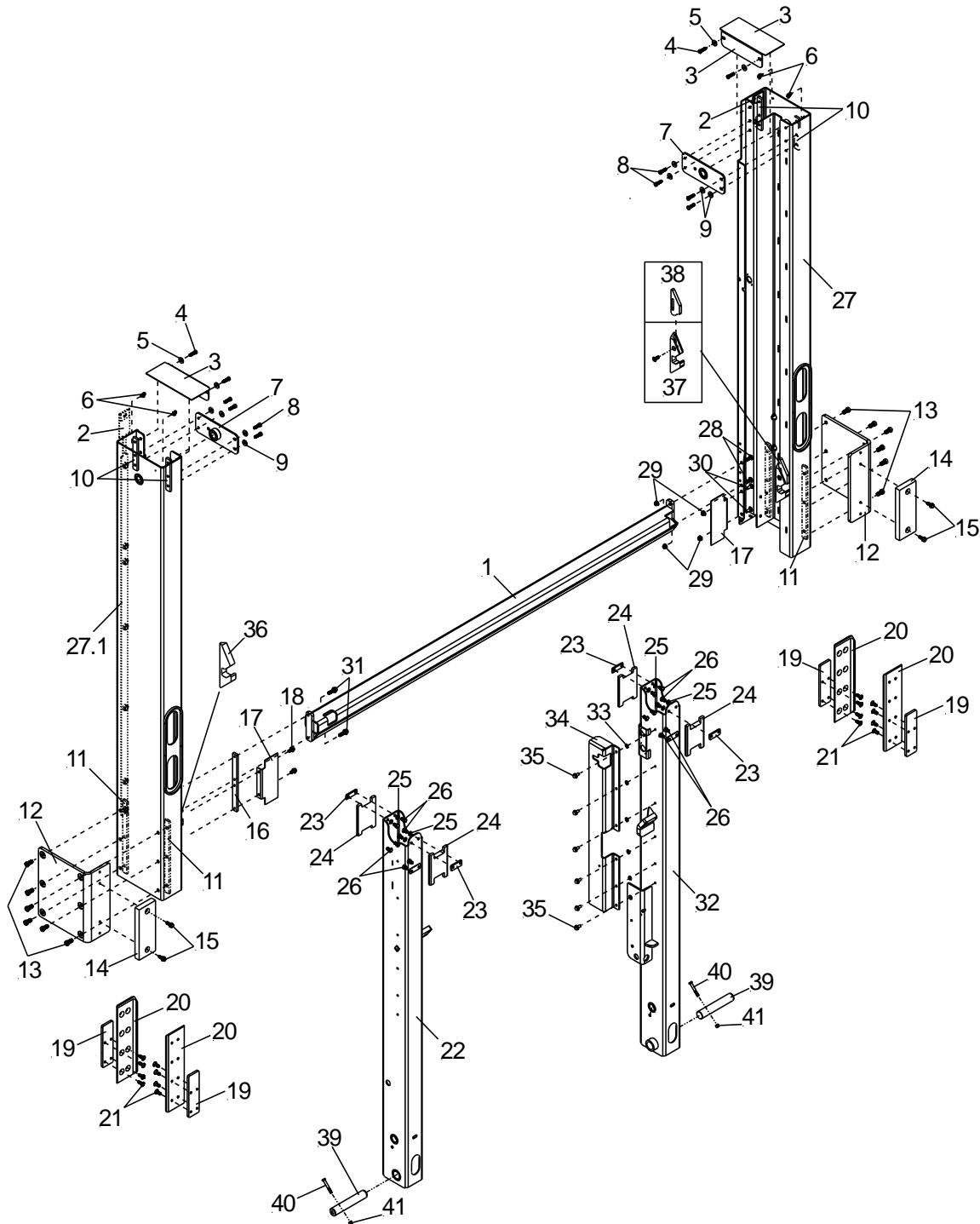
2. The finish for many parts differs from liftgate to liftgate. It is important to specify what type of finish the replacement part(s) has. INTERLIFT Liftgates uses galvanized, galvanized, powder coat, paint, and zinc coated components on the different models of liftgates. If not sure what finish is on the part(s), mention this to the Parts Department Representative.

Table of Contents

1	Columns	6
2	Bolt-On Kit	8
3	Dock Seal Header Kits	10
	3.1.1 Header Kit for Liftgate Welded to Vehicle	10
	3.1.2 Header Kit for Liftgate Bolt-On to Vehicle	11
4	Steel Platform with Fixed Ramp	12
5	Steel Platform with Aluminum Retension Ramp (ARR)	14
6	Aluminum Platform with Fixed Ramp	16
7	Aluminum Platform with Aluminum Retension Ramp (ARR)	18
8	Aluminum Platform Side Bar Assemblies	20
9	Platform Cart Stops	21
	9.1 Steel Platform Bolt -On Cart Stops.....	21
	9.2 Aluminum Platform Cart Stops	22
	9.3 Auto Cart Stops.....	23
10	Aluminum Retention Ramp (ARR)	24
11	Cylinders	26
12	Pins & Bushings	28
13	Control Switches	29
14	Battery Box	30
15	Pump and Motor	32
16	Pump and Motor – Secondary Pump	34
17	Hydraulic Hose Kits	36
18	Trailer/Truck Charge Kits	38
19	Light Kits	40
20	Controls	41
21	Decals	42

1 Columns

INTERLIFT Liftgates use galvanized, galvanized, powder coat, paint, zinc, and other finishes on different liftgate models. It is important to specify what type of finish is required for the ordered replacement parts.



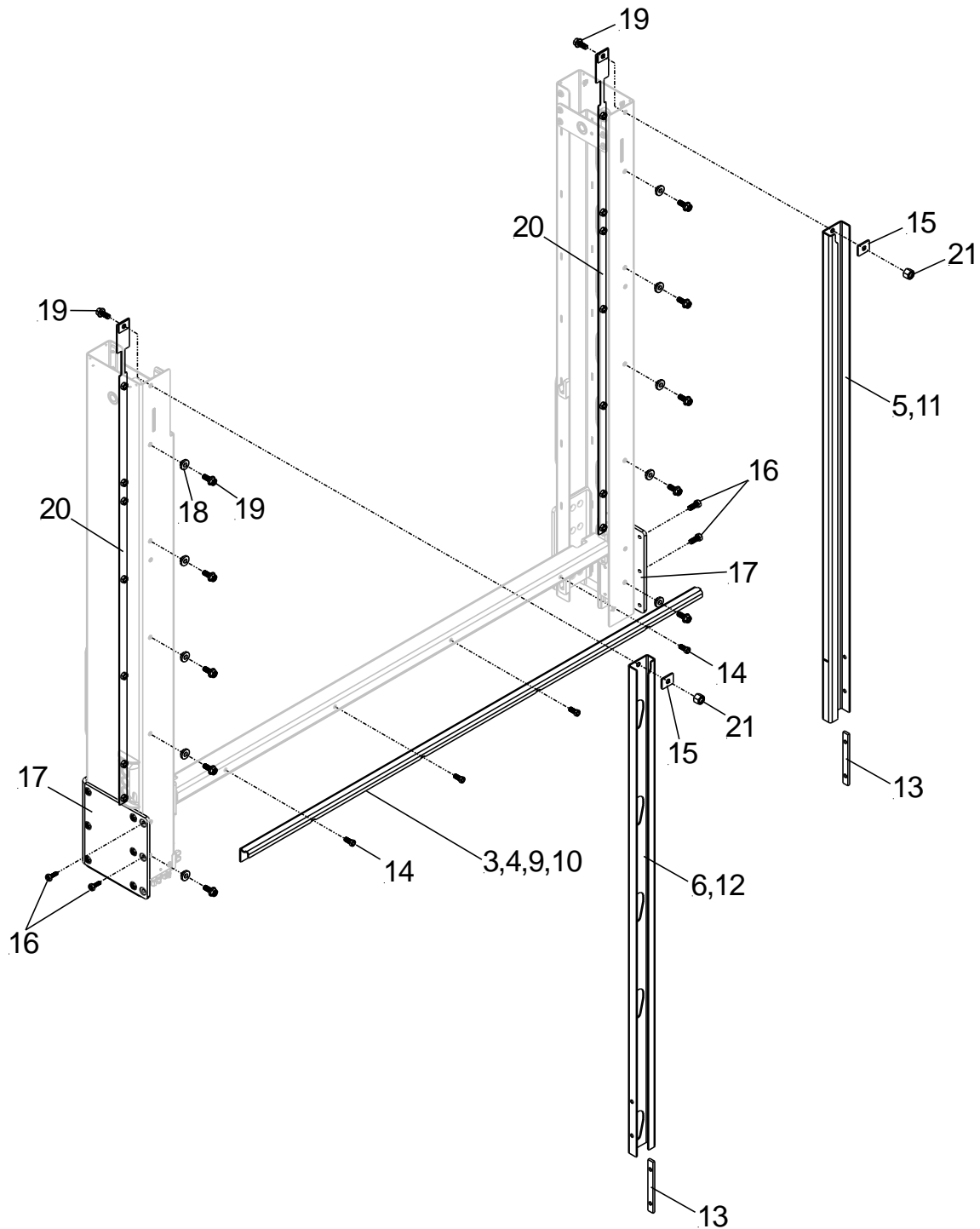
Palfinger Interlift, LLC.
15939 Pioma Ave, Cerritos, CA 90703
Tel: (888) 774-5844, Fax: (562) 924-8318

Palfinger Interlift, LLC.
572 Whitehead Road, Trenton, NJ 08619
Tel: (609) 587-4200, Fax: (609) 587-4201

1 - COLUMNS			
NO.	DESCRIPTION	PART NO.	QTY.
1	Traverse, 88.50" L, 102" Wide	ML04-1119-100	1
	Traverse, 82.50" L, 96" Wide	ML04-1119-200	1
2	Nut Bar, Weldment	65-1119-010	2
3	Column Cap	ML65-1118-001	2
4	Hex Head Cap Screw, 3/8-16 X 1.25", Gr. 8, Yellow Zinc	ES4276	4
5	Washer, 3/8" USS	EK4032	2
6	Cable Holder, Push-In	EZ8352	4
7	Cylinder Mount; Weld, Upper Cylinder Mount	ML02-1119-010	2
8	Hex Head Cap Screw; 3/8-16 X 1.25", Gr. 5, Zinc	ES3496	4
9	Washer, 3/8", USS	EK4032	4
10	Nut Bar, Threaded Cylinder Mount	65-1119-002	4
11	Nut Bar; Threaded, Traverse	ML65-1119-004	4
12	Column Wrap, Weldment w/Spacer	02-1119-510	2
	Column Warp, Weldment w/Spacer, Bolt-On	02-1119-500	2
13	Hex Head Cap Screw, 1/2-20x1" Gr. 8, Yellow Zinc	ES4275	12
14	Dock Bumper; Pad, UHMW	ML02-1119-601	2
15	Hex Head Cap Screw, 3/8-16 X 1" Thread Rolling Washer Head, Zinc	ES3803	4
16	Nut Bar, Bolt-On Bracket	ML65-1120-500	1
17	Guard, Hydraulic Lines	ML04-1120-501	2
18	Hex Head Cap Screw, 3/8-16 X 3/4", Flange Head, Grade 5, Zinc	ES4289	2
19	Plate, Nut, Column Slide Pad	PD-65-1108-101	4
20	Slide Pad, Lower, UHMW	ML60-1120-001	4
21	Flat Head Cap Screw, 3/8-16x1", Gr.5	ES3452	16
22	Runner Assembly, Left Side	ML03-1119-320	1
23	Nut Plate, Runner Pad	P-2014812	8
24	Slide Pad, Upper, UHMW	ML60-1120-002	4
25	Washer, M10, Split Lock	EK2740	8
26	Bolt, M10-1.5x12mm, Unfinished, Gr. 8.8	ES4149	16
27	Column Assembly, Right Side	ML02-1120-110	1
	Column Assembly, Right Side, Bolt-On	ML02-1120-100	1
27.1	Column Assembly, Left Side	ML02-1120-210	1
	Column Assembly, Left Side, Bolt-On	ML02-1120-200	1
28	Carriage Bolt, 3/8-16 X 1 1/4" Grade 8, Yellow Zinc Chromate	ES4284	4
29	Nut, 3/8-16, Flange, Nylock	EM 931	4
30	Carriage Bolt, 3/8-16 X1", Hydraulic Line Shield, Right Side	ES3459	2
31	Hex Head Cap Screw, 3/8-16 X 1 1/4", Flange Head, Gr. 8, Yellow Zinc	ES4283	2
32	Runner Assembly, Right Side	ML03-1119-220	1
33	Washer, 3/8", Split Lock	EK3238	6
34	Toggle Switch Cover	ML03-1119-201	1
35	Bolt, Thread Rolling, 3/8-16x0.75" Zinc	ES3453	6
36	Travel Latch, Left Side	ML02-1108-301	1
37	Travel Latch Kit, Right Side, w/Screw	ML75-1121-050	1
38	Slide Latch Kit, w/Screw	ML75-1121-040	1
39	Pin, ø36x200mm, GZ	2048628	1
40	Hex Head Cap Screw, 3/8-16x2.50, Partially Threaded, Gr. 5, Zinc	ES3638	2
41	Nut, Nylock, 3/8-16	EM 698	2

2 Bolt-On Kit

INTERLIFT Liftgates use galvanized, galvanized, powder coat, paint, zinc, and other finishes on different liftgate models. It is important to specify what type of finish is required for the ordered replacement parts.

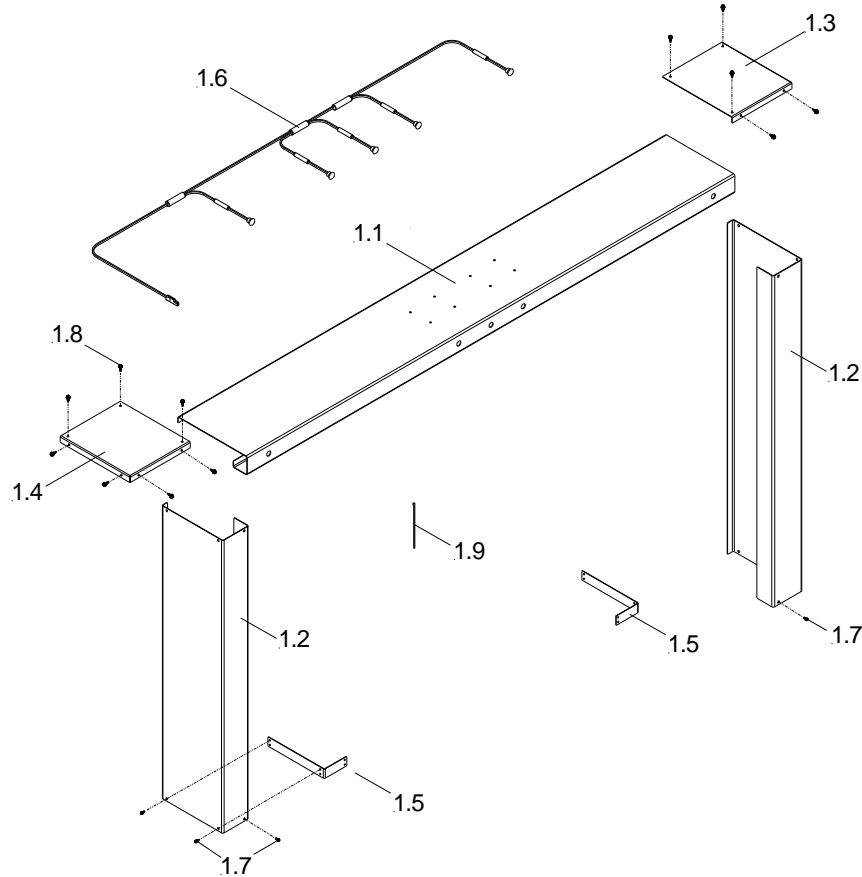


2 – BOLT-ON KIT			
NO.	DESCRIPTION	PART NO.	QTY.
1	Bolt-On Bracket Kit, Stainless Steel, 102"W	ML65-1120-011	1
2	Bolt-On Bracket Kit, Stainless Steel, 96"W	ML65-1120-012	1
3	Bolt-On Angle, Stainless Steel, 102"W	ML65-1120-602	1
4	Bolt-On Angle, Stainless Steel, 96"W	ML65-1120-604	1
5	Bolt-On Bracket, Stainless Steel, Left Side	ML65-1120-300	1
6	Bolt-On Bracket, Stainless Steel, Right Side	ML65-1120-400	1
7	Bolt-On Bracket Kit, Mild Steel, 102"W	ML65-1120-001	1
8	Bolt-On Bracket Kit, Mild Steel, 96"W	ML65-1120-002	1
9	Bolt-On Angle, Mild Steel, 102"W	ML65-1120-601	1
10	Bolt-On Angle, Mild Steel, 96"W	ML65-1120-603	1
11	Bolt-On Bracket, Mild Steel, Left Side	ML65-1120-200	1
12	Bolt-On Bracket, Mild Steel, Right Side	ML65-1120-100	1
13	Nut Bar, Bolt-On Bracket	ML65-1120-500	2
14	Hex Head Cap Screw, 9/16-18 X 1 ¼", Gr. 8, Zinc	ES3689	4
15	Clamp Washer, 3/16-1/4", Zinc	60-1013-050	2
16	Hex Head Cap Screw, 1/2-20x1" Gr. 8, Yellow Zinc	ES4275	4
17	Column Wrap, Weld, Bolt-On	02-1119-500	2
18	Bolt-On Button	65-1117-001	10
19	Hex Head Cap Screw, 5/8-11 X 1.75", Flanged, Gr. 8, Zinc	ES3723	2
20	Nut Bar, Bolt-On Buttons (Pre-welded Inside Column)	65-1119-010	2
21	Nut, Nylock, 5/8-11, Gr.8	EM 796	2
22	Kit; Conversion; PTV, Bolt-On, 102"W, Mild Steel	ML65-1121-310+B	1
23	Kit; Conversion; PTV, Bolt-On, 96"W, Mild Steel	ML65-1121-320+B	1
24	Kit; Conversion; PTV, Bolt-On, 102"W, Stainless Steel	ML65-1121-330	1
25	Kit; Conversion; PTV, Bolt-On, 96"W, Stainless Steel	ML65-1121-340	1
26	Kit; Bolt-on Components; Columns	ML65-1121-030	1

3 Dock Seal Header Kits

3.1.1 Header Kit for Liftgate Welded to Vehicle

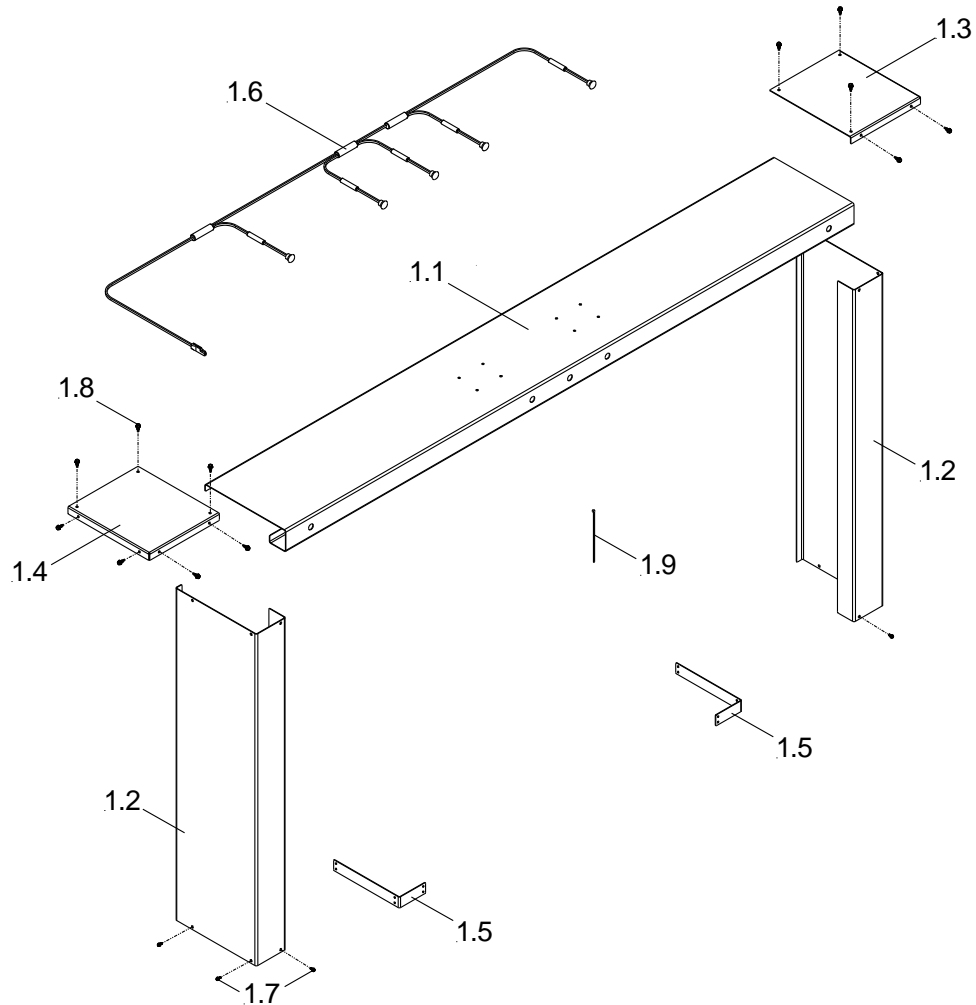
INTERLIFT Liftgates use galvanized, galvanized, powder coat, paint, zinc, and other finishes on different liftgate models. It is important to specify what type of finish is required for the ordered replacement parts.



3.1.1 – DOCK SEAL HEADER KIT WELD-ON			
NO.	DESCRIPTION	PART NO.	QTY.
1	Header Kit, Weld-On Liftgate	ML60-1120-110	1
1.1	Header; Top Channel; Form; Weld On	ML60-1120-112	1
1.2	Header; Column Channel; Form; Weld On	ML60-1120-114	2
1.3	Cap; Header; Form; Right Side	ML60-1120-106	1
1.4	Cap; Header; Form; Left Side	ML60-1120-107	1
1.5	Bracket; Header; Form	ML60-1120-109	2
1.6	Harness, 5-LED Lamp, ø3/4 Mount, Red	70-7016-201	1
1.7	Hex Head Cap Screw; 1/4-20x1/2"	ES3512	12
1.8	Hex Head Cap Screw; 1/4-14 X 3/4; Self Drilling	ES4358	14
1.9	Zip Tie, 175mm X 4mm	EZ6687	6

3.1.2 Header Kit for Liftgate Bolt-On to Vehicle

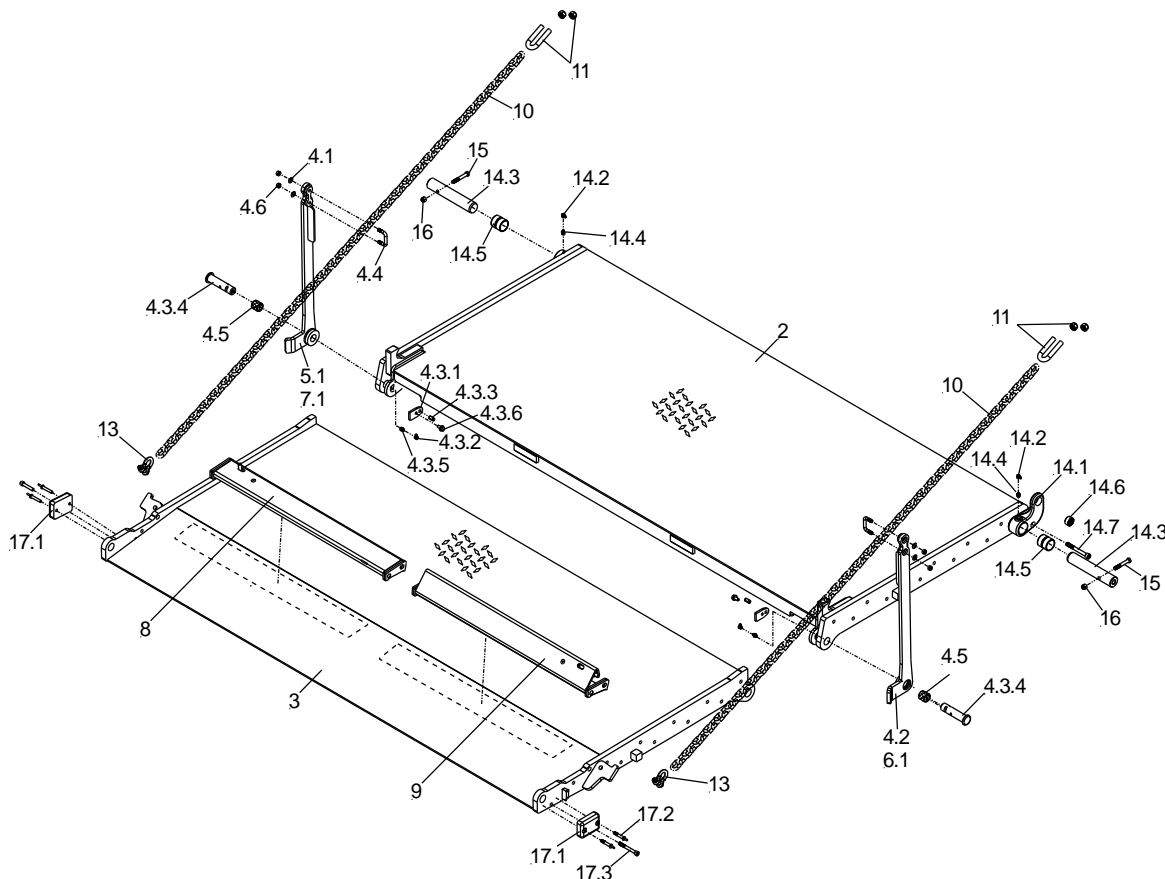
INTERLIFT Liftgates use galvanized, galvanized, powder coat, paint, zinc, and other finishes on different liftgate models. It is important to specify what type of finish is required for the ordered replacement parts.



3.1.2 – DOCK SEAL HEADER KIT BOLT-ON			
NO.	DESCRIPTION	PART NO.	QTY.
1	Header Kit, Bolt-On Liftgate	ML60-1120-100	1
1.1	Header; Top Channel; Form; Bolt On	ML60-1120-102	1
1.2	Header; Column Channel; Form; Bolt On	ML60-1120-104	2
1.3	Cap; Header; Form; Right Side	ML60-1120-106	1
1.4	Cap; Header; Form; Left Side	ML60-1120-107	1
1.5	Bracket; Header; Form	ML60-1120-109	2
1.6	Harness, 5-LED Lamp, ø3/4 Mount, Red	70-7016-201	1
1.7	Hex Head Cap Screw; 1/4-20x1/2"	ES3512	12
1.8	Hex Head Cap Screw; 1/4-14 X 3/4; Self Drilling	ES4358	14
1.9	Zip Tie, 175mm X 4mm	EZ6687	6

4 Steel Platform with Fixed Ramp

INTERLIFT Liftgates use galvanized, galvanized, powder coat, paint, zinc, and other finishes on different liftgate models. It is important to specify what type of finish is required for the ordered replacement parts.



4 – STEEL PLATFORM WITH FIXED RAMP			
NO.	DESCRIPTION	PART NO.	QTY.
1	Platform Assembly, Steel, Main & Tip, 60" X 80"+12" Fixed Ramp, No Cart Stop	ML20-1117-401	1
	Platform Assembly, Steel, Main & Tip, 60" X 80"+12" Fixed Ramp, Cart Stop	ML20-1117-402	1
	Platform Assembly, Steel, Main & Tip, 72" X 80"+12" Fixed Ramp, No Cart Stop	ML20-1117-404	1
	Platform Assembly, Steel, Main & Tip, 72" X 80"+12" Fixed Ramp, Cart Stop	ML20-1117-405	1
	Platform Assembly, Steel, Main & Tip, 60" X 86"+12" Fixed Ramp, No Cart Stop	ML20-1117-501	1
	Platform Assembly, Steel, Main & Tip, 60" X 86"+12", Fixed Ramp, Cart Stop	ML20-1117-502	1
	Platform Assembly, Steel, Main & Tip, 72" X 86"+12" Fixed Ramp, No Cart Stop	ML20-1117-504	1
	Platform Assembly, Steel, Main & Tip, 72" X 86"+12" Fixed Ramp, Cart Stop	ML20-1117-505	1
2	Main Section Assembly, Steel, 36" X 80"	ML21-1117-401	1
	Main Section Assembly, Steel, 36" X 80"	ML21-1117-401	1
	Main Section Assembly, Steel, 42" X 80"	ML21-1117-402	1
	Main Section Assembly, Steel, 42" X 80"	ML21-1117-402	1
	Main Section Assembly, Steel, 36" X 86"	ML21-1117-501	1
	Main Section Assembly, Steel, 36" X 86"	ML21-1117-501	1
	Main Section Assembly, Steel, 42" X 86"	ML21-1117-502	1
	Main Section Assembly, Steel, 42" X 86"	ML21-1117-502	1
	Tip Section Assembly, Steel, 24" X 80"+12"	ML22-1117-401	1

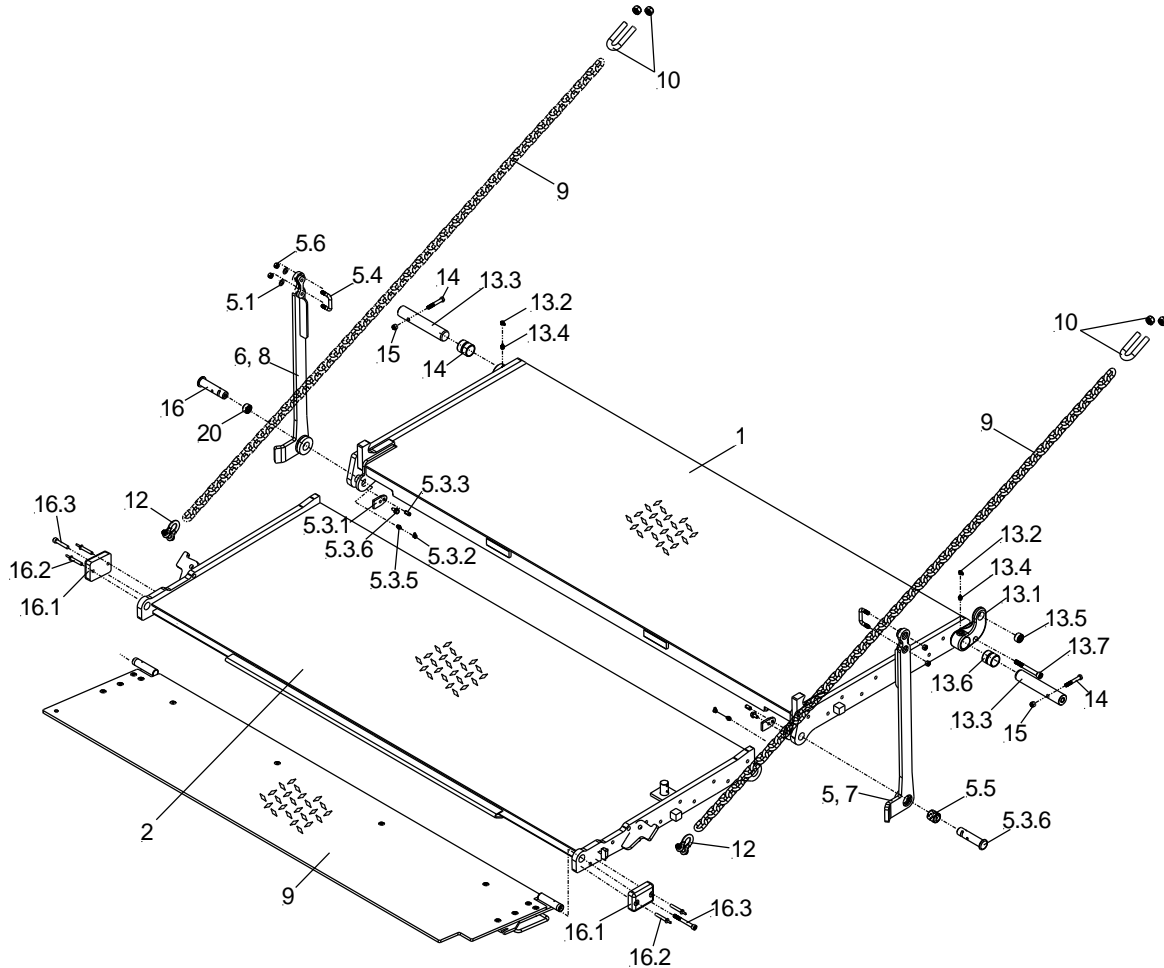
Palfinger Interlift, LLC.
 15939 Piuma Ave, Cerritos, CA 90703
 Tel: (888) 774-5844, Fax: (562) 924-8318

Palfinger Interlift, LLC.
 572 Whitehead Road, Trenton, NJ 08619
 Tel: (609) 587-4200, Fax: (609) 587-4201

3	Tip Section Assembly, Steel, 24" X 80"+12	ML22-1117-409	1
	Tip Section Assembly, Steel, 30" X 80"+12	ML22-1117-408	1
	Tip Section Assembly, Steel, 30" X 80"+12	ML22-1117-407	1
	Tip Section Assembly, Steel, 24" X 86"+12	ML22-1117-501	1
	Tip Section Assembly, Steel, 24" X 86"+12	ML22-1117-509	1
	Tip Section Assembly, Steel, 30" X 86"+12	ML22-1117-505	1
	Tip Section Assembly, Steel, 30" X 86"+12	ML22-1117-507	1
	Tip Section Assembly, Steel, 24" X 80"+12, Cart Stop	ML22-1117-402	1
	Tip Section Assembly, Steel, 24" X 80"+12, No Cart Stop	ML22-1117-401	1
	Tip Section Assembly, Steel, 24" X 86"+12, Cart Stop	ML22-1117-502	1
	Tip Section Assembly, Steel, 24" X 86"+12, No Cart Stop	ML22-1117-501	1
4	Chain Arm Kit, Right Side, 72" & 84", Steel or Aluminum Platforms	75-1118-000	1
4.1	Washer, Flat, 5/16" USS, Zinc	EK3217	1
4.2	Chain Arm, Weldment, Right Side	20-1116-011	1
4.3	Pin Kit, ILD+	20-1116-030	1
4.3.1	Key Plate, Hinge Pin	45-1111-112	1
4.3.2	Cap, Zerk Fitting	P-1191680	1
4.3.3	Pin, Spring, 3/8"x0.75", Slotted, Zinc	EQ1632	1
4.3.4	Pin, Platform Hinge	45-1118-000	1
4.3.5	Zerk Fitting, M10x1mm	EA-005	1
4.3.6	Bolt, Flanged, M8x1.25x16mm	ES1451	1
4.4	U-Link, Chain Arm, Threaded	20-7516-000	1
4.5	Bushing, 25mmx28mmx25mm	ELG1134	1
4.6	Nut, 3/8-16, Center Lock	EM 881	1
5	Chain Arm Kit, Right Side, 72" & 84", Steel or Aluminum Platforms	75-1118-001	1
5.1	Chain Arm, Weldment, Left Side	20-1116-021	1
6	Chain Arm Kit, Right Side, 60", Steel or Aluminum Platforms	75-1118-002	1
6.1	Chain Arm, Weldment, Right Side	20-1117-111	1
7	Chain Arm Kit, Left Side, 60", Steel or Aluminum Platforms	75-1118-003	1
7.1	Chain Arm, Weldment, Left Side	20-1117-121	1
8	Cart Stop, Heavy Duty, Street Side	20-1108-500	1
9	Cart Stop, Heavy Duty, Curb Side	20-1108-520	1
10	Chain, 3/8", Gr. 70, 84" Arr & 72" Fixed	99-8813-084	2
	Chain, 3/8", Gr. 70, 72" Arr & 60" Fixed	99-8813-085	2
	Chain, 3/8", Gr. 70, 60" Arr	99-8813-086	2
11	U-Bolt, 1/2"-13	99-1108-101	2
12	Nut, Nylock, 1/2"-13	EM 707	4
13	Shackle, Platform Chain	EZ6172	2
14	Open/Close Hub Kit, (Pin, Hardware, Bushings)	20-1114-001	1
14.1	Open/Close Hub	21-1114-200	1
14.2	Cap, Zerk Fitting	P-1191680	1
14.3	Pin, Ø36mm X 200mm, Grease Zerk	2048628	2
14.4	Zerk Fitting M10x1	EA-005	1
14.5	Bushing 36x41mm,	ELG1033	2
14.6	Bushing 25x14mm,	ELG1034	2
14.7	Socket Head Cap Screw, M10x1.5x90mm	ES3618	1
15	Hex Head Cap Screw, 3/8-16x2.5 Gr. 5	ES3638	2
16	Nut, nylock, 3/8-16	EM 698	2
17	Kit, Clearance Light	70-1114-010	1
17.1	Warning Light, Amber	70-1114-011	2
17.2	1/4" Drive Anchor	EK3321	4
17.3	Socket Head Cap Screw, M10x1.5x50mm	ES2087	4

5 Steel Platform with Aluminum Retension Ramp (ARR)

INTERLIFT Liftgates use galvanized, galvanized, powder coat, paint, zinc, and other finishes on different liftgate models. It is important to specify what type of finish is required for the ordered replacement parts.



5 – STEEL PLATFORMS WITH ALUMINUM RETENSION RAMP (ARR)			
NO.	DESCRIPTION	PART NO.	QTY.
1	Platform Assembly, Steel, Main & Tip, 60" X 80", ARR (For 96"W Vehicles)	ML20-1117-400	1
	Platform Assembly, Steel, Main & Tip, 72" X 80", ARR (For 96"W Vehicles)	ML20-1117-403	1
	Platform Assembly, Steel, Main & Tip, 84" X 80", ARR (For 96"W Vehicles)	ML20-1117-406	1
	Platform Assembly, Steel, Main & Tip, 60" X 86", ARR (For 102"W Vehicles)	ML20-1117-500	1
	Platform Assembly, Steel, Main & Tip, 72" X 86", ARR (For 102"W Vehicles)	ML20-1117-503	1
	Platform Assembly, Steel, Main & Tip, 84" X 86", ARR (For 102"W Vehicles)	ML20-1117-506	1
2	Main Section Assembly, Steel, 30" X 80"	ML21-1117-400	1
	Main Section Assembly, Steel, 36" X 80"	ML21-1117-401	1
	Main Section Assembly, Steel, 42" X 80"	ML21-1117-402	1
	Main Section Assembly, Steel, 30" X 86"	ML21-1117-500	1
	Main Section Assembly, Steel, 36" X 86"	ML21-1117-501	1
	Main Section Assembly, Steel, 42" X 86"	ML21-1117-502	1
	Tip Section Assembly, Steel, 30" X 80"	ML22-1117-400	1

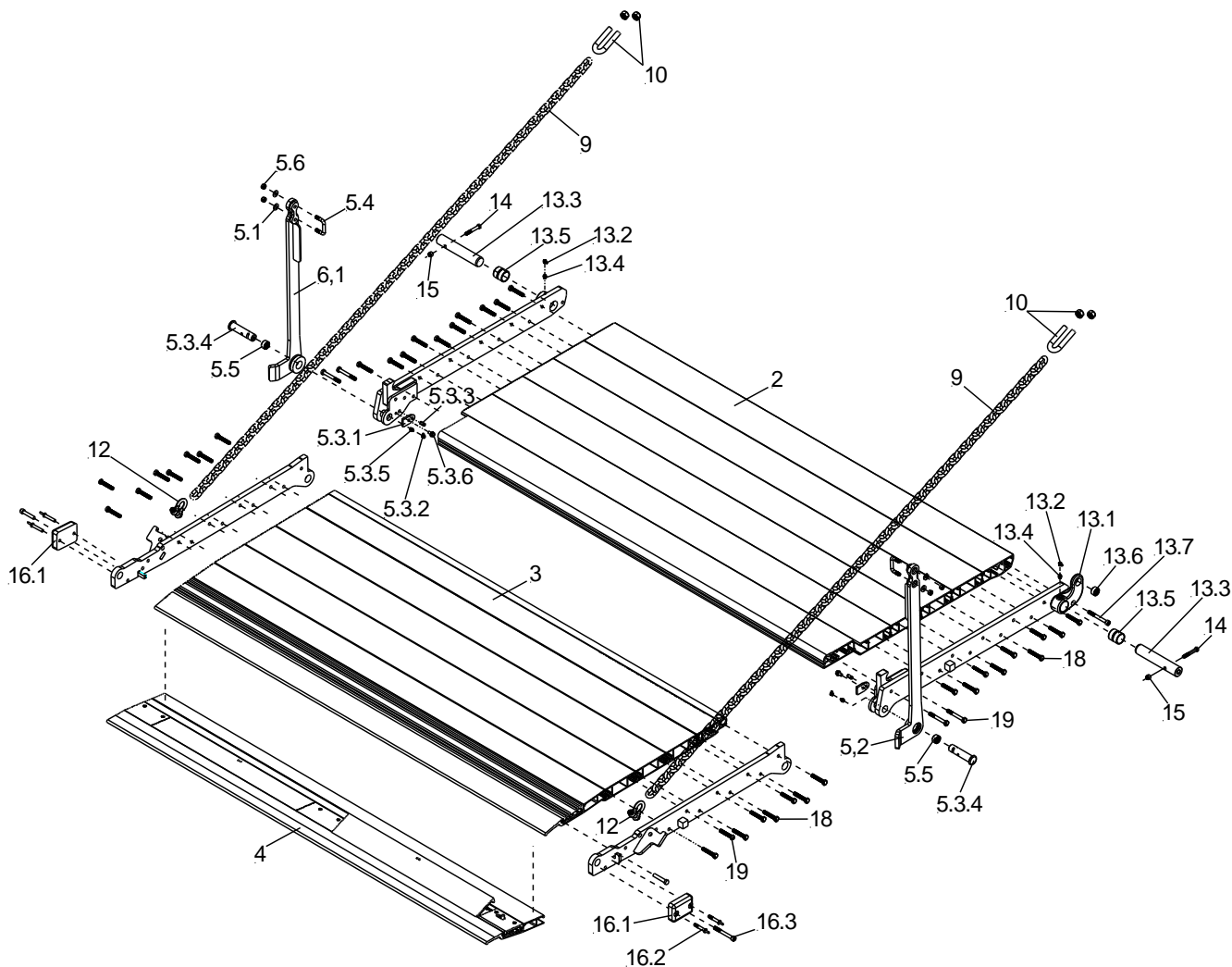
Palfinger Interlift, LLC.
 15939 Piuma Ave, Cerritos, CA 90703
 Tel: (888) 774-5844, Fax: (562) 924-8318

Palfinger Interlift, LLC.
 572 Whitehead Road, Trenton, NJ 08619
 Tel: (609) 587-4200, Fax: (609) 587-4201

3	Tip Section Assembly, Steel, 36" X 80"	ML22-1117-403	1
	Tip Section Assembly, Steel, 42" X 80"	ML22-1117-406	1
	Tip Section Assembly, Steel, 30" X 86"+16 ARR	ML22-1117-500	1
	Tip Section Assembly, Steel, 36" X 86"	ML22-1117-503	1
	Tip Section Assembly, Steel, 42" X 86"	ML22-1117-506	1
4	Aluminum Retention Ramp Kit, 16", 96"W	23-1113-003	1
	Aluminum Retention Ramp Kit, 16", 102"W	23-1113-005	1
	Aluminum Retention Ramp Kit, 20", 96"W	23-1115-102	1
	Aluminum Retention Ramp Kit, 20", 102"W	23-1115-100	1
5	Chain Arm Kit, Right Side, 72" & 84", Steel or Aluminum Platforms	75-1118-000	1
5.1	Washer, Flat, 5/16" USS, Zinc	EK3217	1
5.2	Chain Arm, Weldment, Right Side	20-1116-011	1
5.3	Pin Kit, ILD+	20-1116-030	1
5.3.1	Key Plate, Hinge Pin	45-1111-112	1
5.3.2	Cap, Zerk Fitting	P-1191680	1
5.3.3	Pin, Spring, 3/8"x0.75", Slotted, Zinc	EQ1632	1
5.3.4	Pin, Platform Hinge	45-1118-000	1
5.3.5	Zerk Fitting, M10x1mm	EA-005	1
5.3.6	Bolt, Flanged, M8x1.25x16mm	ES1451	1
5.4	U-Link, Chain Arm, Threaded	20-7516-000	1
5.5	Bushing, 25mmx28mmx25mm	ELG1134	1
5.6	Nut, 3/8-16, Center Lock	EM 881	1
6	Chain Arm Kit, Right Side, 72" & 84", Steel or Aluminum Platforms	75-1118-001	1
6.1	Chain Arm, Weldment, Left Side	20-1116-021	1
7	Chain Arm Kit, Right Side, 60", Steel or Aluminum Platforms	75-1118-002	1
7.1	Chain Arm, Weldment, Right Side	20-1117-111	1
8	Chain Arm Kit, Left Side, 60", Steel or Aluminum Platforms	75-1118-003	1
8.1	Chain Arm, Weldment, Left Side	20-1117-121	1
9	Chain, 3/8", Gr. 70, 84" ARR & 72" Fixed	99-8813-084	2
	Chain, 3/8", Gr. 70, 72" ARR & 60" Fixed	99-8813-085	2
	Chain, 3/8", Gr. 70, 60" ARR	99-8813-086	2
10	U-Bolt, 1/2"-13	99-1108-101	2
11	Nut, Nylock, 1/2-13	EM 707	4
12	Shackle, Platform Chain	EZ6172	2
13	Kit, Open/Close Hub, Pin, Hardware, Bushings	20-1114-001	1
13.1	Open/Close Hub	21-1114-200	1
13.2	Cap, Zerk Fitting	P-1191680	1
13.3	Pin, Ø36mm X 200mm	2048628	1
13.4	Zerk Fitting M10x1	EA-005	1
13.5	Bushing 36x41mm	ELG1033	1
13.6	Bushing, 25x14mm	ELG1034	1
13.7	Socket Head Cap Screw, M10x1.5x90mm	ES3618	1
14	Hex Head Cap Screw, 3/8-16x2.50", Gr. 5	ES3638	2
15	Nut, Nylock, 3/8-16	EM 698	2
16	Kit, Clearance Light	70-1114-010	1
16.1	Warning Light, Amber	70-1114-011	2
16.2	1/4" Drive Anchor	EK3321	4
16.3	Socket Head Cap Screw, M10x1.5x50mm	ES2087	4

6 Aluminum Platform with Fixed Ramp

INTERLIFT Liftgates use galvanized, galvanized, powder coat, paint, zinc, and other finishes on different liftgate models. It is important to specify what type of finish is required for the ordered replacement parts



6 – ALUMINUM PLATFORM WITH FIXED RAMP			
NO.	DESCRIPTION	PART NO.	QTY.
1	Platform Assy, Aluminum Main & Tip, 60" X 80"+12" Fixed Ramp, (For 96"W Vehicles)	ML20-1120-101	1
	Platform Assy, Aluminum Main & Tip, 60" X 86"+12" Fixed Ramp, (For 102"W Vehicles)	ML20-1120-201	1
	Platform Assy, Aluminum Main & Tip, 72" X 80"+12" Fixed Ramp, (For 96"W Vehicles)	ML20-1120-104	1
	Platform Assy, Aluminum Main & Tip, 72" X 86"+12" Fixed Ramp, (For 102"W Vehicles)	ML20-1120-204	1
	Platform Assy, Aluminum Main & Tip, 60" X 80"+12" Fixed Ramp, CS (For 96"W Vehicles)	ML20-1120-102	1
	Platform Assy, Aluminum Main & Tip, 60" X 86"+12" Fixed Ramp, CS (For 102"W Vehicles)	ML20-1120-202	1
	Platform Assy, Aluminum Main & Tip, 72" X 80"+12" Fixed Ramp, CS (For 96"W Vehicles)	ML20-1120-105	1
	Platform Assy, Aluminum Main & Tip, 72" X 86"+12" Fixed Ramp, CS (For 102"W Vehicles)	ML20-1120-205	1
2	Main Section Assembly, Aluminum, 30" X 80"	ML21-1109-610	1
	Main Section Assembly, Aluminum, 30" X 86"	ML21-1109-510	1
	Main Section Assembly, Aluminum, 36" X 80"	ML21-1109-210	1
	Main Section Assembly, Aluminum, 36" X 86"	ML21-1109-110	1
	Tip Section Assembly, Aluminum, 30" X 80", Cart Stop	ML22-1109-830	1

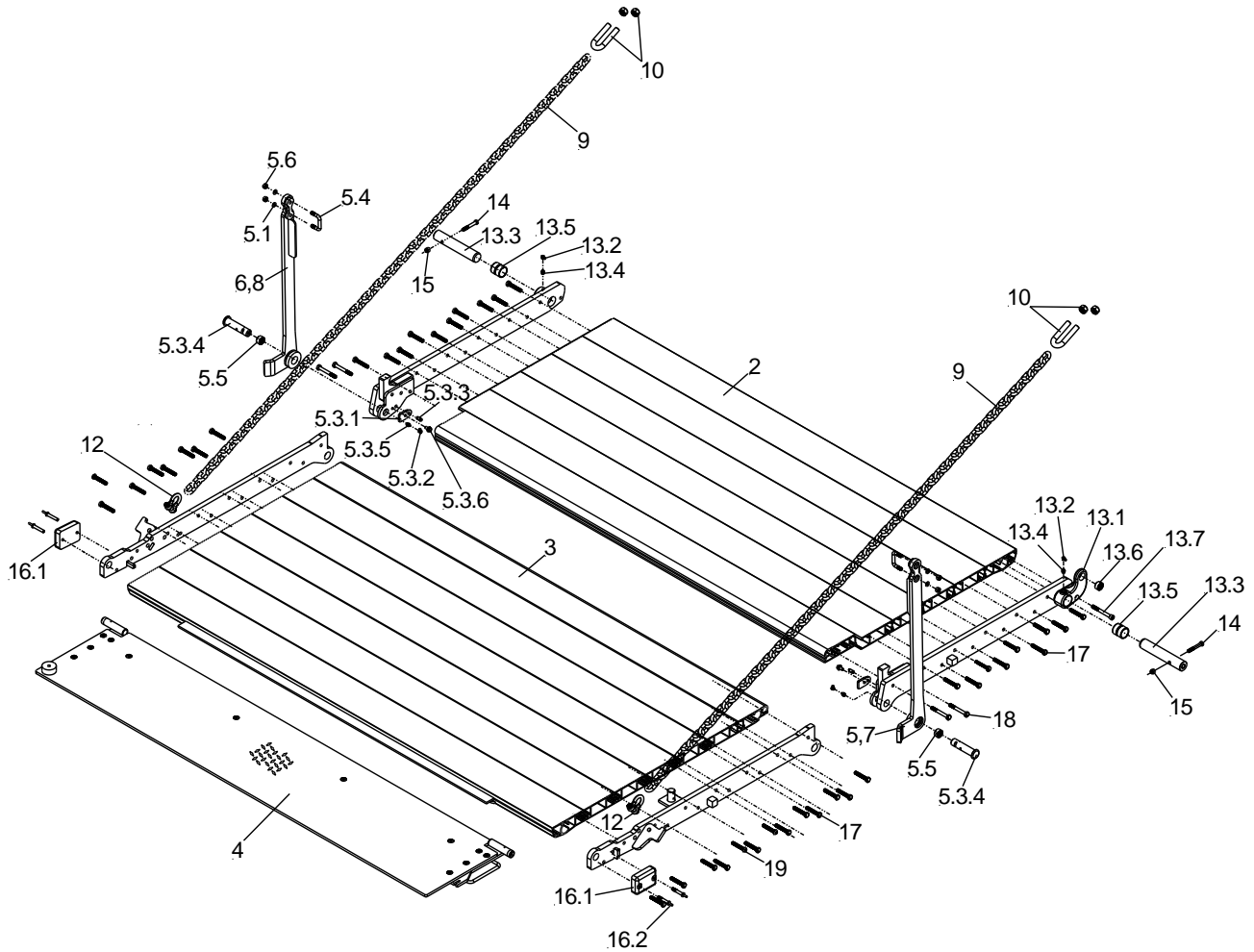
Palfinger Interlift, LLC.
 15939 Piuma Ave, Cerritos, CA 90703
 Tel: (888) 774-5844, Fax: (562) 924-8318

Palfinger Interlift, LLC.
 572 Whitehead Road, Trenton, NJ 08619
 Tel: (609) 587-4200, Fax: (609) 587-4201

3	Tip Section Assembly, Aluminum, 30" X 86", Cart Stop	ML22-1109-610	1
	Tip Section Assembly, Aluminum, 36" X 80", Cart Stop	ML22-1109-230	1
	Tip Section Assembly, Aluminum, 36" X 86", Cart Stop	ML22-1109-210	1
	Tip Section Assembly, Aluminum, 30" X 80", No Cart Stop	ML22-1109-840	1
	Tip Section Assembly, Aluminum, 30" X 86", No Cart Stop	ML22-1109-620	1
	Tip Section Assembly, Aluminum, 36" X 80", No Cart Stop	ML22-1109-240	1
	Tip Section Assembly, Aluminum, 36" X 86", No Cart Stop	ML22-1109-220	1
4	Cart Stop Assembly, 2x 800mm Cart Stop, 12"D	P-2024959	1
5	Chain Arm Kit, Right Side, 72" & 84", Steel or Aluminum Platforms	75-1118-000	1
5.1	Washer, Flat, 5/16" USS, Zinc	EK3217	1
5.2	Chain Arm, Weldment, Right Side	20-1116-011	1
5.3	Pin Kit, ILD+	20-1116-030	1
5.3.1	Key Plate, Hinge Pin	45-1111-112	1
5.3.2	Cap, Zerk Fitting	P-1191680	1
5.3.3	Pin, Spring, 3/8"x0.75", Slotted, Zinc	EQ1632	1
5.3.4	Pin, Platform Hinge	45-1118-000	1
5.3.5	Zerk Fitting, M10x1mm	EA-005	1
5.3.6	Bolt, Flanged, M8x1.25x16mm	ES1451	1
5.4	U-Link, Chain Arm, Threaded	20-7516-000	1
5.5	Bushing, 25mmx28mmx25mm	ELG1134	1
5.6	Nut, 3/8-16, Center Lock	EM 881	1
6	Chain Arm Kit, Left Side, 72" & 84", Steel or Aluminum Platforms	75-1118-001	1
6.1	Chain Arm, Weldment, Left Side	20-1116-021	1
7	Chain Arm Kit, Right Side, 60", Steel or Aluminum Platforms	75-1118-002	1
7.1	Chain Arm, Weldment, Right Side	20-1117-111	1
8	Chain Arm Kit, Left Side, 60", Steel or Aluminum Platforms	75-1118-003	1
8.1	Chain Arm, Weldment, Left Side	20-1117-121	1
9	Chain, 3/8", Gr. 70, 84" Arr & 72" Fixed	99-8813-084	2
	Chain, 3/8", Gr. 70, 72" Arr & 60" Fixed	99-8813-085	2
	Chain, 3/8", Gr. 70, 60" Arr	99-8813-086	2
10	U-Bolt, 1/2"-13	99-1108-101	2
11	Nut, Nylock, 1/2"-13	EM 707	4
12	Shackle, Platform Chain	EZ6172	2
13	Kit, Open/Close Hub, Pin, Hardware, Bushings	20-1114-001	1
13.1	Open/Close Hub	21-1114-200	1
13.2	Cap, Zerk Fitting	1191680	1
13.3	Pin, Ø36mm X 200mm	2048628	1
13.4	Zerk Fitting M10x1	EA-005	1
13.5	Bushing 36x41mm	ELG1033	1
13.6	Bushing 25x14mm	ELG1034	1
13.7	Socket Head Cap Screw, M10x1.5x90mm	ES3618	1
14	Hex Head Cap Screw, 3/8-16x2.50", Gr. 5	ES3638	2
15	Nut, Nylock, 3/8-16	EM 698	2
16	Kit, Clearance Light	70-1114-010	1
16.1	Warning Light, Amber	70-1114-011	2
16.2	Anchor, 1/4" Drive	EK3321	4
16.3	Socket Head Cap Screw, M10x1.5x50mm	ES2087	4
17	Hex Head Cap Screw, M10x1.5x60mm Cl.10.9,zinc	ES3244	19
18	Hex Head Cap Screw, M10x1.5x80mm	ES3245	4
19	Button Head Cap Screw, M10X1.5X60mm	ES3950	4

7 Aluminum Platform with Aluminum Retention Ramp (ARR)

INTERLIFT Liftgates use galvanized, galvanized, powder coat, paint, zinc, and other finishes on different liftgate models. It is important to specify what type of finish is required for the ordered replacement parts.



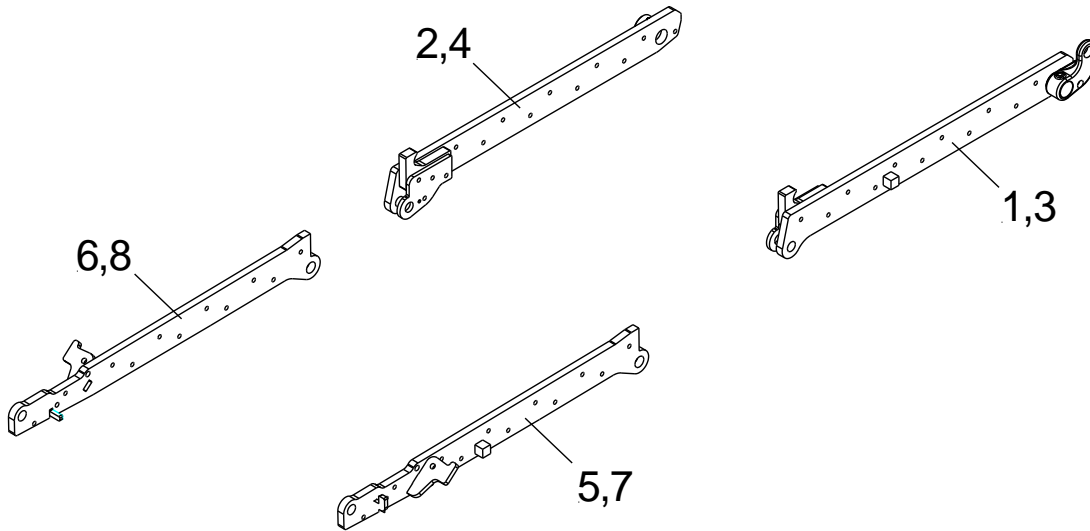
7 – ALUMINUM PLATFORM WITH ALUMINUM RETENTION RAMP (ARR)			
NO.	DESCRIPTION	PART NO.	QTY.
1	Platform Assy, Aluminum Main & Tip, 60" X 80", ARR (For 96"W Vehicles)	ML20-1120-100	1
	Platform Assy, Aluminum Main & Tip, 60" X 86", ARR (For 102"W Vehicles)	ML20-1120-200	1
	Platform Assy, Aluminum Main & Tip, 72" X 80", ARR (For 96"W Vehicles)	ML20-1120-103	1
	Platform Assy, Aluminum Main & Tip, 72" X 86", ARR (For 102"W Vehicles)	ML20-1120-203	1
	Platform Assy, Aluminum Main & Tip, 84" X 80", ARR (For 96"W Vehicles)	ML20-1120-106	1
	Platform Assy, Aluminum Main & Tip, 84" X 86", ARR (For 102"W Vehicles)	ML20-1120-206	1
2	Main Section Assembly, Aluminum, 30" X 80"	ML21-1109-410	1
	Main Section Assembly, Aluminum, 30" X 86"	ML21-1109-310	1
	Main Section Assembly, Aluminum, 36" X 80"	ML21-1109-610	1
	Main Section Assembly, Aluminum, 36" X 86"	ML21-1109-510	1
	Main Section Assembly, Aluminum, 42" X 80"	ML21-1109-210	1
	Main Section Assembly, Aluminum, 42" X 86"	ML21-1109-110	1
	Tip Section Assembly, Aluminum, ARR, 30" X 80"	ML22-1109-330	1

Palfinger Interlift, LLC.
 15939 Piuma Ave, Cerritos, CA 90703
 Tel: (888) 774-5844, Fax: (562) 924-8318

Palfinger Interlift, LLC.
 572 Whitehead Road, Trenton, NJ 08619
 Tel: (609) 587-4200, Fax: (609) 587-4201

3	Tip Section Assembly, Aluminum, ARR, 30" X 86"	ML22-1109-310	1
	Tip Section Assembly, Aluminum, ARR, 36" X 80"	ML22-1109-730	1
	Tip Section Assembly, Aluminum, ARR, 36" X 86"	ML22-1109-510	1
	Tip Section Assembly, Aluminum, ARR, 42" X 80"	ML22-1109-130	1
	Tip Section Assembly, Aluminum, ARR, 42" X 86"	ML22-1109-110	1
4	Aluminum Retention Ramp (ARR), 16" ARR, 96"W	ML23-1113-003	1
	Aluminum Retention Ramp (ARR), 20" ARR, 96"W	ML23-1115-102	1
	Aluminum Retention Ramp (ARR), 16" ARR, 102"W	ML23-1113-005	1
	Aluminum Retention Ramp (ARR), 20" ARR, 102"W	ML23-1115-100	1
5	Chain Arm Kit, Right Side, 72" & 84", Steel or Aluminum Platforms	75-1118-000	1
5.1	Washer, Flat, 5/16" USS, Zinc	EK3217	1
5.2	Chain Arm, Weldment, Right Side	20-1116-011	1
5.3	Pin Kit, ILD+	20-1116-030	1
5.3.1	Key Plate, Hinge Pin	45-1111-112	1
5.3.2	Cap, Zerk Fitting	P-1191680	1
5.3.3	Pin, Spring, 3/8"x0.75", Slotted, Zinc	EQ1632	1
5.3.4	Pin, Platform Hinge	45-1118-000	1
5.3.5	Zerk Fitting, M10x1mm	EA-005	1
5.3.6	Bolt, Flanged, M8x1.25x16mm	ES1451	1
5.4	U-Link, Chain Arm, Threaded	20-7516-000	1
5.5	Bushing, 25mmx28mmx25mm	ELG1134	1
5.6	Nut, 3/8-16, Center Lock	EM 881	1
6	Chain Arm Kit, Left Side, 72" & 84", Steel or Aluminum Platforms	75-1118-001	1
6.1	Chain Arm, Weldment, Left Side	20-1116-021	1
7	Chain Arm Kit, Right Side, 60", Steel or Aluminum Platforms	75-1118-002	1
7.1	Chain Arm, Weldment, Right Side	20-1117-111	1
8	Chain Arm Kit, Left Side, 60", Steel or Aluminum Platforms	75-1118-003	1
8.1	Chain Arm, Weldment, Left Side	20-1117-121	1
9	Chain, 3/8", Gr. 70, 84" Arr & 72" Fixed	99-8813-084	2
	Chain, 3/8", Gr. 70, 72" Arr & 60" Fixed	99-8813-085	2
	Chain, 3/8", Gr. 70, 60" Arr	99-8813-086	2
10	U-Bolt, 1/2"-13	99-1108-101	2
11	Nut, Nylock, 1/2"-13	EM 707	4
12	Shackle, Platform Chain	EZ6172	2
13	Kit, Open/Close Hub, Pin, Hardware, Bushings	20-1114-001	1
13.1	Open/Close Hub	21-1114-200	1
13.2	Cap, Zerk Fitting	P-1191680	1
13.3	Pin, Ø36mm X 200mm	2048628	1
13.4	Zerk Fitting, M10x1	EA-005	1
13.5	Bushing, 36x41mm	ELG1033	1
13.6	Bushing, 25x14mm	ELG1034	1
13.7	Socket Head Cap Screw, M10x1.5x90mm	ES3618	1
14	Hex Head Cap Screw, 3/8-16x2.50", Gr. 5	ES3638	2
15	Nut, Nylock, 3/8-16	EM 698	2
16	Kit, Clearance Light	70-1114-010	1
16.1	Warning Light, LED, Amber	70-1114-011	2
16.2	Anchor, 1/4" Drive	EK3321	4
16.3	Socket Head Cap Screw, M10x1.5x50mm	ES2087	4
17	Hex Head Cap Screw, M10x1.5x60mm Cl.10.9,zinc	ES3244	19
18	Hex Head Cap Screw, M10x1.5x80mm	ES3245	4
19	Button Head Cap Screw, M10X1.5X60mm	ES3950	4

8 Aluminum Platform Side Bar Assemblies

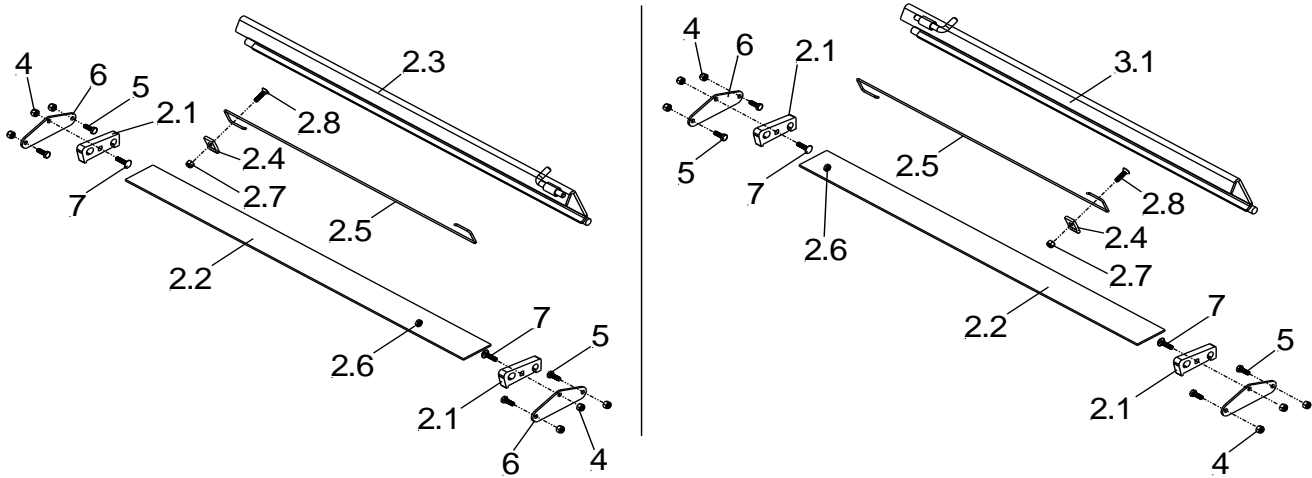


8 – ALUMINUM PLATFORM SIDE BAR ASSEMBLIES - MAIN SECTION					
NO.	DESCRIPTION	PLATFORM SIZE			QTY.
		60"	72"	84"	
1	Side Bar Assy., Right Side, Fixed Ramp	ML21-1109-515	ML21-1109-515	N/A	1
2	Side Bar Assy., Left Side, Fixed Ramp	ML21-1109-516	ML21-1109-516	N/A	1
3	Side Bar Assy., Tip, Right Side, ARR	ML21-1109-131	ML21-1109-515	ML21-1109-115	1
4	Side Bar Assy., Tip, Left Side, ARR	ML21-1109-132	ML21-1109-516	ML21-1109-116	1

8 – ALUMINUM PLATFORM SIDE BAR ASSEMBLIES - TIP SECTION					
NO.	DESCRIPTION	PLATFORM SIZE			QTY.
		60"	72"	84"	
5	Side Bar Assy., Right Side, Fixed Ramp	ML22-1109-617	ML22-1109-117	N/A	1
6	Side Bar Assy., Left Side, Fixed Ramp	ML22-1109-618	ML22-1109-118	N/A	1
7	Side Bar Assy., Tip, Right Side, ARR	ML22-1109-131	ML22-1109-618	ML22-1109-115	1
8	Side Bar Assy., Tip, Left Side, ARR	ML22-1109-132	ML22-1114-030	ML22-1109-118	1

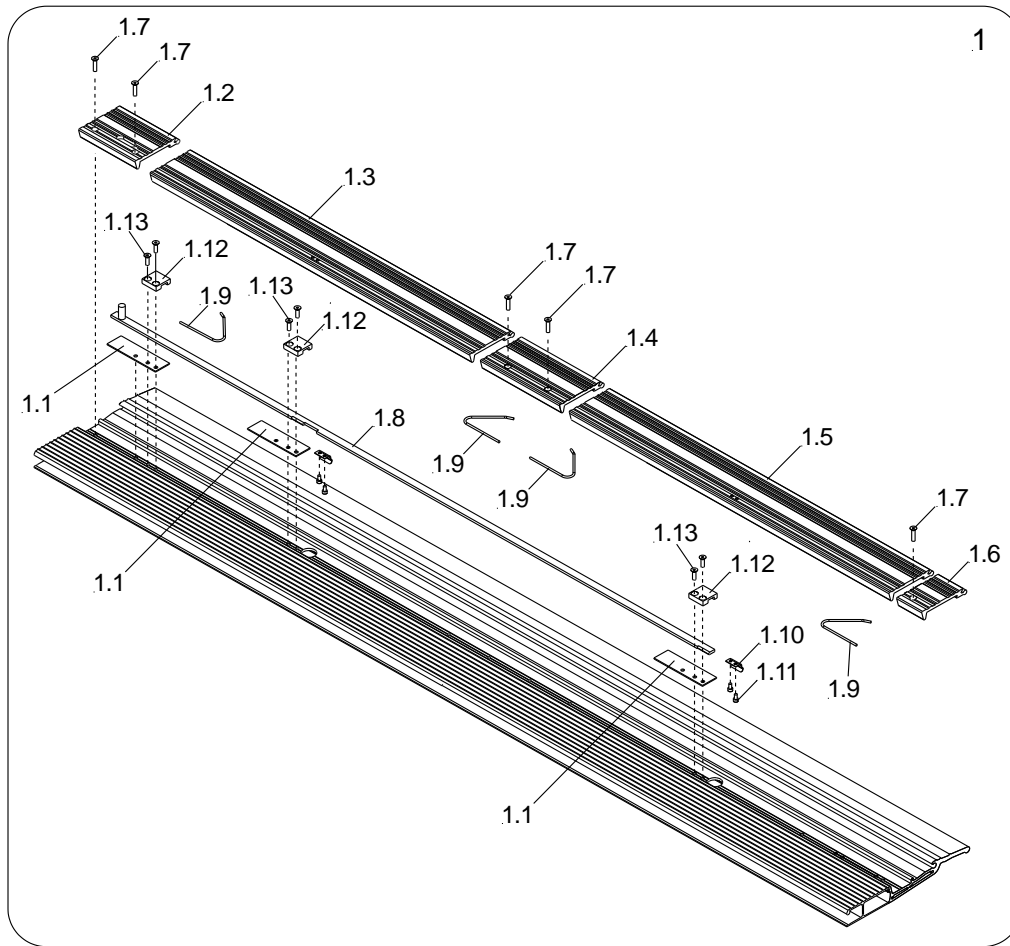
9 Platform Cart Stops

9.1 Steel Platform Bolt-On Cart Stops



9.1 – CART STOPS ALUMINUM PLATFORMS			
NO.	DESCRIPTION	PART NO.	QTY.
1	Cart Stop Kit, Steel Tip, Bolt On	22-1117-405	1
2	Cart Stop Assy, Heavy Duty, Left Side	20-1108-500	1
2.1	Side Plate	20-1108-501	2
2.2	Support Plate	20-1108-502	1
2.3	Cart Stop, Assembly	20-1108-510	1
2.4	Tab, Spring Retention	20-1108-541	1
2.5	Spring, Torsion	20-1108-542	1
2.6	Hex Jam Nut 1/4"-20, UNC	EM 470	1
2.7	Nut, Nylock, 1/4-20, Gr.5, Zinc	EM 713	1
2.8	Flat Head Cap Screw, 1/4-20x1.00"	ES3465	1
3	Cart Stop Assy, Heavy Duty, Right Side	20-1108-520	1
3.1	Cart Stop, Assembly	20-1108-530	1
4	Nut, Nylock, 1/4-20, Gr.5, Zinc	EM 713	1
5	Hex Head Cap Screw, 1/4-20x3/4", Gr.5, Zinc	ES3447	1
6	Plate, Bolt-On	22-1117-464	1
7	Carriage Bolt, 1/4"-20x1", Gr. 5, Zinc	ES4286	1

9.2 Aluminum Platform Cart Stops

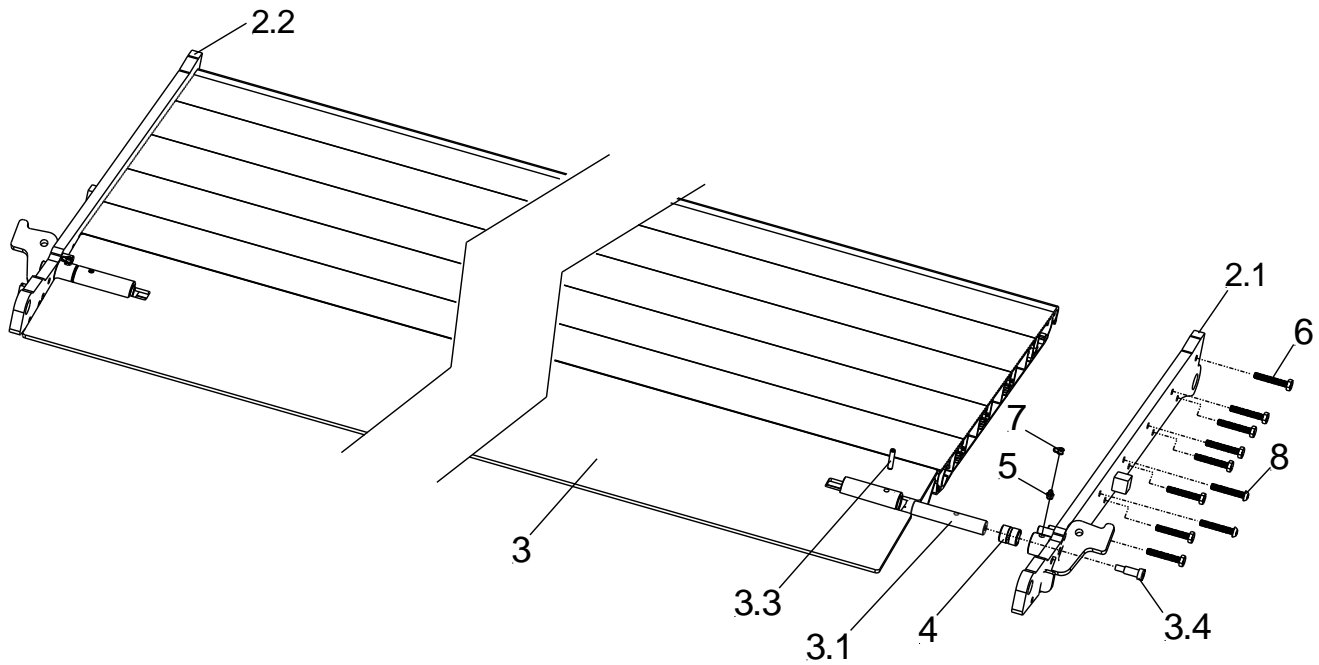


9.2 – CART STOPS ALUMINUM PLATFORMS			
NO.	DESCRIPTION	PART NO.	QTY.
1	Assembly, 2x 800mm Cart Stop, 12”D	P-2024959	1
1.1	Pad, Delrin, 35mm X 120mm X 2mm	P-1406245	3
1.2	Plate Cover, Curb Side	P-2003301	1
1.3	Cart Stop, 800mm, Curb Side	P-2006698	1
1.4	Plate Cover, Center	P-2003302	1
1.5	Cart Stop, 800mm, Street Side	P-2006697	1
1.6	Plate Cover, Street Side	P-2003303	1
1.7	Socket Head Cap Screw, M6-1.0 X 30mm	P-1057441	5
1.8	Sliding Rail	P-1406248	1
1.9	Spring Rod	P-1408661	4
1.10	Clip	P-1406249	2
1.11	Socket Head Cap Screw, M5-0.80 X 8mm	P-1119357	4
1.12	C-Clip, Plastic	P-2004637	1
1.13	Socket Head Cap Screw, M6-1.0 X 20mm	P-1004726	6

Palfinger Interlift, LLC.
 15939 Piuma Ave, Cerritos, CA 90703
 Tel: (888) 774-5844, Fax: (562) 924-8318

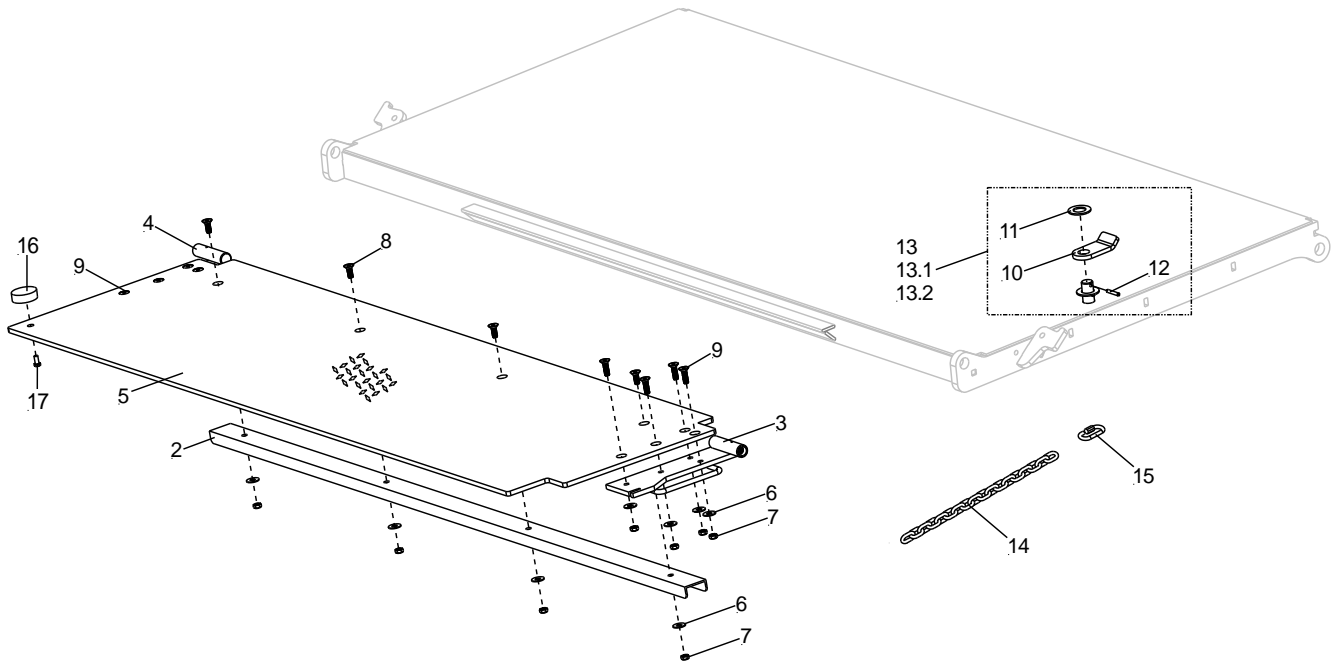
Palfinger Interlift, LLC.
 572 Whitehead Road, Trenton, NJ 08619
 Tel: (609) 587-4200, Fax: (609) 587-4201

9.3 Auto Cart Stops



9.3 – AUTO CART STOP			
NO.	DESCRIPTION	PART NO.	QTY.
1	Platform Assembly, 72"X86"+12" Auto Cart Stop, 102" W (Not Shown)	ML20-1120-207	1
2	Tip Section Assembly, Auto Cart Stop, 30"X86"+12", 102"W	22-1113-320	1
2.1	Side Bar Assembly, Right Side	22-1111-117	1
2.2	Side Bar Assembly, Left Side	22-1111-118	1
3	Auto Cart Stop Assembly	23-1115-200	1
3.1	Pin, Ramp Pivot	22-1111-321	2
3.2	Auto Cart Stop, Steel	23-1115-210	1
3.3	Coil Pin, 5/16"X1-1/2"	EQ1649	2
3.4	Screw , Shoulder, 3/8-16x5/8", 1/2"x1" Shoulder	ES3620	2
4	Bushing, Bronze	ELG1063	2
5	Zerk Fitting, M10x1	EA005	2
6	Hex Head Cap Screw, M10x1.5x60mm, Cl.10.9, Zinc	ES3244	16
7	Cap, Zerk Fitting	P-1191680	2
8	Button Head Cap Screw, M10-1.5x60mm, Cl.10.9, Zinc	ES3950	4

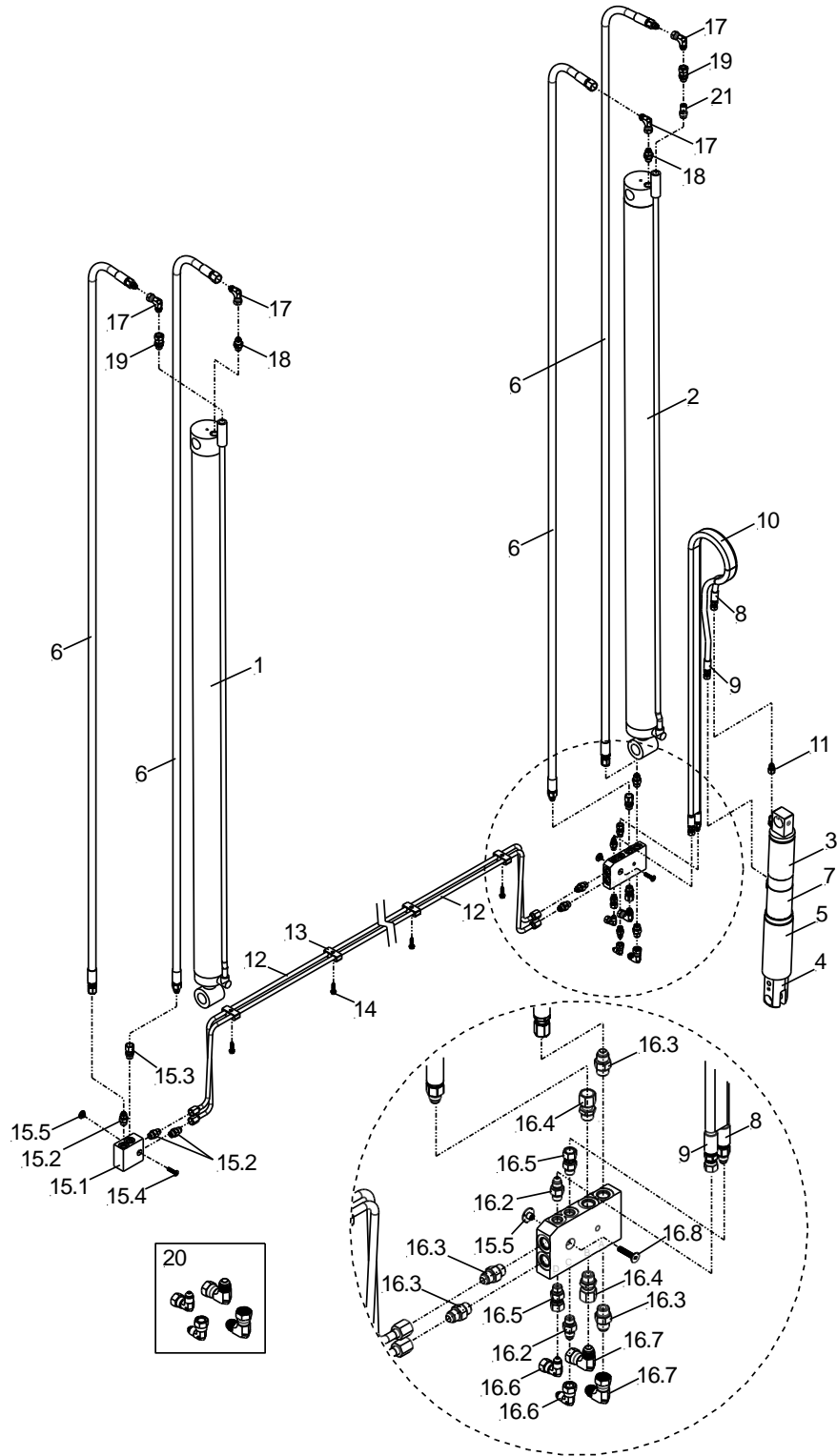
10 Aluminum Retention Ramp (ARR)



10 – ALUMINUM RETENTION RAMP (ARR)			
NO.	DESCRIPTION	PART NO.	QTY.
1	Kit, Aluminum Retention Ramp (ARR), 16", 96"W	23-1113-003	1
	Kit, Aluminum Retention Ramp (ARR), 20", 96"W	23-1115-102	1
	Kit, Aluminum Retention Ramp (ARR), 16", 102"W	23-1113-005	1
	Kit, Aluminum Retention Ramp (ARR), 20", 102"W	23-1115-100	1
2	Stiffener, Center Bar, 96"W	23-1110-201	1
	Stiffener, Center Bar, 102"W	23-1113-002	1
3	Hinge Assembly, Curb Side	23-1115-000	1
4	Hinge Assembly, Street Side	23-1115-001	1
5	Plate; ARR, 16", 96"W	23-1113-006	1
	Plate, ARR, 20", 96"W	23-1115-103	1
	Plate; ARR, 16", 102"W	23-1113-004	1
	Plate, ARR, 20", 102"W	23-1115-101	1
6	Washer, Flat, 3/8" USS, Zinc	EK3216	12
7	Nut, Nylock, 3/8-16, Half Height	EM-709	12
8	Flat Head Cap Screw, 3/8-16x1"	ES3452	4
9	Flat Head Cap Screw, 3/8-16x1.25"	ES3473	8
10	Plate, Ramp Retainer	23-1108-116	1
11	Washer, Flat, 1-1/8" ID X 2.00" OD	EK3407	2
12	Spring Pin; 1/4"D x 1-1/2"L	EQ1656	2
13	Latch Kit, ARR Retainer	22-1115-002	1
14	Chain, 15"	99-1115-002	1
15	Chain Connector, Oval, 1.75"	EZ6794	1
16	Rubber Snubber Pad	60-7514-002	1
17	Hex Head Cap Screw, M12-1.75x16mm, DIN 933, Zinc	ES4091	1

NOTES

11 Cylinders

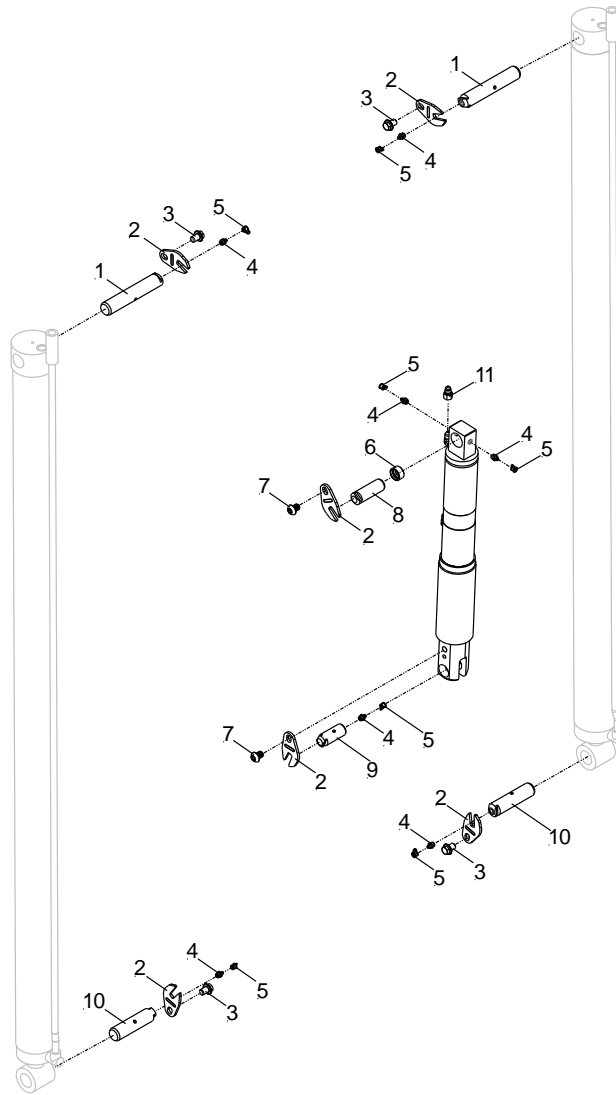


Palfinger Interlift, LLC.
15939 Piuma Ave, Cerritos, CA 90703
Tel: (888) 774-5844, Fax: (562) 924-8318

Palfinger Interlift, LLC.
572 Whitehead Road, Trenton, NJ 08619
Tel: (609) 587-4200, Fax: (609) 587-4201

11 – HYDRAULICS						
NO.	DESCRIPTION	PART NO.				QTY.
		PTV 35	PTV 44	PTV 55	PTV 66	
1	Lift Cylinder, Left Side, Small, ø55mm ID, 1450mm	--	--	--	--	1
	Lift Cylinder, Left Side, Medium, ø63mm ID, 1450mm	P-2014599	P-2014599	--	--	1
	Lift Cylinder, Left Side, Large, ø70mm ID, 1450mm	--	--	P-2014598	P-2014598	1
2	Lift Cylinder, Right Side, Small, ø55mm ID, 1450mm	P-2020887	P-2020887	--	--	1
	Lift Cylinder, Right Side, Medium ø63mm ID,	--	--	P-2014599	P-2014599	1
	Lift Cylinder, Right Side, Large, ø70mm ID, 1450mm	--	--	--	--	1
3	Open & Close Cylinder, including Adjustable Head	P-2022188	P-2022188	P-2022188	P-2022188	1
4	Open & Close Cylinder Adjustable Head	P-2014916	P-2014916	P-2014916	P-2014916	1
5	Open & Close Cylinder Bellow	60-1120-005	60-1120-005	60-1120-005	60-1120-005	1
6	Hydraulic Hose, 3/8", JIC Male/JIC Female, 90" L	ML80-1118-040	ML80-1118-040	ML80-1118-040	ML80-1118-040	1
7	Open-Close Cylinder Rebuild Kit (Internal Seal,Rings, etc, Only)	P-1408753	P-1408753	P-1408753	P-1408753	1
8	Hydr. Hose, Open & Close, ¼, M/F, 48" L, (Port C)	ML80-1119-101	ML80-1119-101	ML80-1119-101	ML80-1119-101	1
9	Hydr. Hose, Open & Close, ¼, F/F, 57" L, (Port D)	ML80-1119-102	ML80-1119-102	ML80-1119-102	ML80-1119-102	1
10	Cover, Open & Close Hoses, (Ports: "C"& "D")	ML80-1119-103	ML80-1119-103	ML80-1119-103	ML80-1119-103	1
11	Restrictor, 0.022" Orif, ¼"JIC	EA6552	EA6552	EA6552	EA6552	1
12	Hydraulic Hard Line, 102"W	80-1115-004	80-1115-004	80-1115-004	80-1115-004	1
	Hydraulic Hard Line, 102"W, Above Floor	ML80-1120-020	ML80-1120-020	ML80-1120-020	ML80-1120-020	1
	Hydraulic Hard Line, 96" W	ML80-1120-010	ML80-1120-010	ML80-1120-010	ML80-1120-010	1
	Hydraulic Hard Line, 96" W, Above Floor	ML80-1120-030	ML80-1120-030	ML80-1120-030	ML80-1120-030	1
13	Clamp, Double-Line, 3/8" ID	EQ1752	EQ1752	EQ1752	EQ1752	4
14	Hex Head Cap Screw, ¼"-20 x 1", Thread Rolling,	ES4278	ES4278	ES4278	ES4278	4
15	Hydraulic Manifold Block Kit, Left Side Column	ML80-1118-010	ML80-1118-010	ML80-1118-010	ML80-1118-010	1
15.1	Hydraulic Manifold Block, Left Side	ML80-1118-011	ML80-1118-011	ML80-1118-011	ML80-1118-011	1
15.2	Adapter, 3/8" M JIC-3/8 SAE ORB, Parker 6 F5OX-S	HV 762	HV 762	HV 762	HV 762	3
15.3	Adapter, 3/8" F JIC-3/8 M SAE ORB, Parker 6	HV 763	HV 763	HV 763	HV 763	1
15.4	Flat Head Cap Screw, ¼"-20 x 1 1/2", 316 Stainless	ES4282	ES4282	ES4282	ES4282	1
15.5	Tee Nut, ¼"-20 w/Prongs, 316 Stainless Steel	EM 930	EM 930	EM 930	EM 930	1
16	Hydraulic Manifold Block Kit, Right Side Column	ML80-1118-000	ML80-1118-000	ML80-1118-000	ML80-1118-000	1
16.1	Hydraulic Manifold Block, Right Side	ML80-1118-001	ML80-1118-001	ML80-1118-001	ML80-1118-001	1
16.2	¼" M JIC-1/4" M SAE ORB (Port C)	HV 764	HV 764	HV 764	HV 764	2
16.3	3/8" M JIC-3/8" SAE ORB (Port A)	HV 826	HV 826	HV 826	HV 826	4
16.4	3/8" F JIC-3/8" M SAE ORB (Port B)	HV 829	HV 829	HV 829	HV 829	2
16.5	¼" F JIC-1/4" M SAE ORB (Port D)	HV 765	HV 765	HV 765	HV 765	2
16.6	Elbow Fitting, 90°, ¼", JIC Female/Male	EA6033	EA6033	EA6033	EA6033	2
16.7	Elbow Fitting, 90°, 3/8" JIC Female/Male	EA6028	EA6028	EA6028	EA6028	2
16.8	Flat Head Cap Screw, ¼"-20 x 1-1/8", 316 Stainless	ES4281	ES4281	ES4281	ES4281	1
17	Elbow 90; 3/8 JIC Female	EA6028	EA6028	EA6028	EA6028	6
18	Adapter, 1/4 BSPP Male - 3/8 JIC Male Flare	EA6020	EA6020	EA6020	EA6020	2
19	Adapter, 1/4 BSPP Male - 3/8 JIC Female Flare	EA6021	EA6021	EA6021	EA6021	2
20	Elbow Kit, Installation, ¼", 3/8"	ML80-1121-100	ML80-1121-100	ML80-1121-100	ML80-1121-100	1
21	Restrictor No.10 (Only On Right Side)	P-2022283	P-2022283	P-2022283	P-2022283	1

12 Pins & Bushings

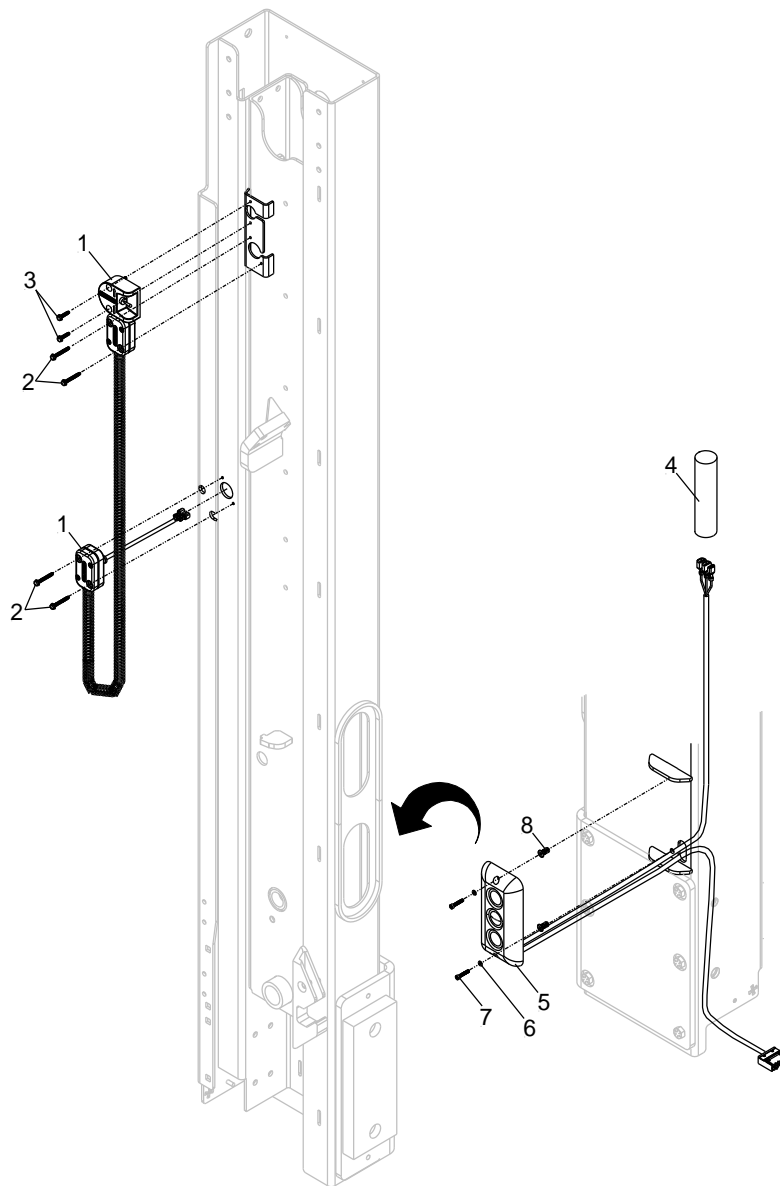


12 – PINS & BUSHINGS			
NO.	DESCRIPTION	PART NO.	QTY.
1	Pin, Ø28mmx153mm, Grease Zerk	2048626	2
2	Pin Plate, Small	2028340	6
3	Bolt, M12x16	2039050	4
4	Grease Fitting, M10x1x15.3mm	EA-005	7
5	Cap, Plastic, Red	P-1191680	7
6	Bushing, 25mmx14mm, Bronze	ELG1034	1
7	Button Head Cap Screw, M12-1.75x16mm, Cl. 10.9, Zinc	ES4159	2
8	Pin, Ø25mmx75mm, (No Grease Zerk)	2036456	1
9	Pin, Ø25mmx62mm, Grease Zerk	2048720	1
10	Pin, Ø28mmx110mm, Grease Zerk	2049465	2
11	Restrictor, 0.022 Orif, ¼ JIC	EA6552	1

Palfinger Interlift, LLC.
 15939 Piuma Ave, Cerritos, CA 90703
 Tel: (888) 774-5844, Fax: (562) 924-8318

Palfinger Interlift, LLC.
 572 Whitehead Road, Trenton, NJ 08619
 Tel: (609) 587-4200, Fax: (609) 587-4201

13 Control Switches



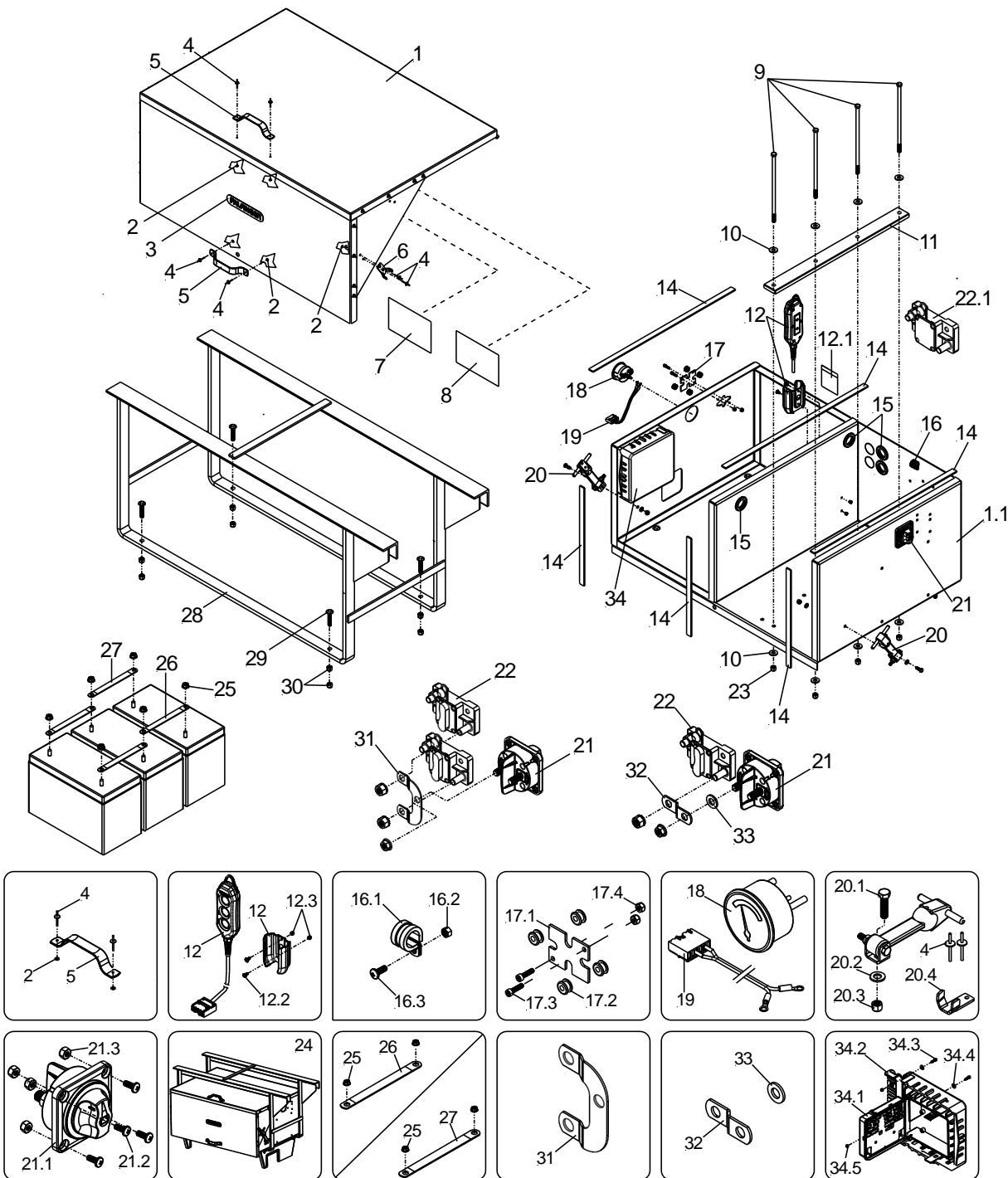
13 – CONTROL SWITCHES			
NO.	DESCRIPTION	PART NO.	QTY.
1	Harness, Assembly, Toggle Switch	ML70-1120-104	1
2	Flanged Hex Head Screw, #10-24 X 1.50", Zinc	ES4264	4
3	Flanged Hex Head Screw, #10-24 X 3/4", Zinc	ES4374	2
4	Heat Shrink, ø1.00" X 2.50", 2:1 Ratio	EZ8525	1
5	Switch Assembly, 3-Button, Column Mount	P-2020653	1
6	Washer, #10, ASME Narrow, Zinc	EK4051	2
7	Socket Head Cap Screw, #10-24 X 1.00", Zinc	ES4285	2
8	Jack Nut, #10-24, 0.70" L, Steel, Zinc (Screwdriver-Installed)	EM 928	2

Palfinger Interlift, LLC.
 15939 Piuma Ave, Cerritos, CA 90703
 Tel: (888) 774-5844, Fax: (562) 924-8318

Palfinger Interlift, LLC.
 572 Whitehead Road, Trenton, NJ 08619
 Tel: (609) 587-4200, Fax: (609) 587-4201

14 Battery Box

INTERLIFT Liftgates use galvanized, galvanized, powder coat, paint, zinc, and other finishes on different liftgate models. It is important to specify what type of finish is required for the ordered replacement parts.



14 – BATTERY BOX

Palfinger Interlift, LLC.
 15939 Piuma Ave, Cerritos, CA 90703
 Tel: (888) 774-5844, Fax: (562) 924-8318

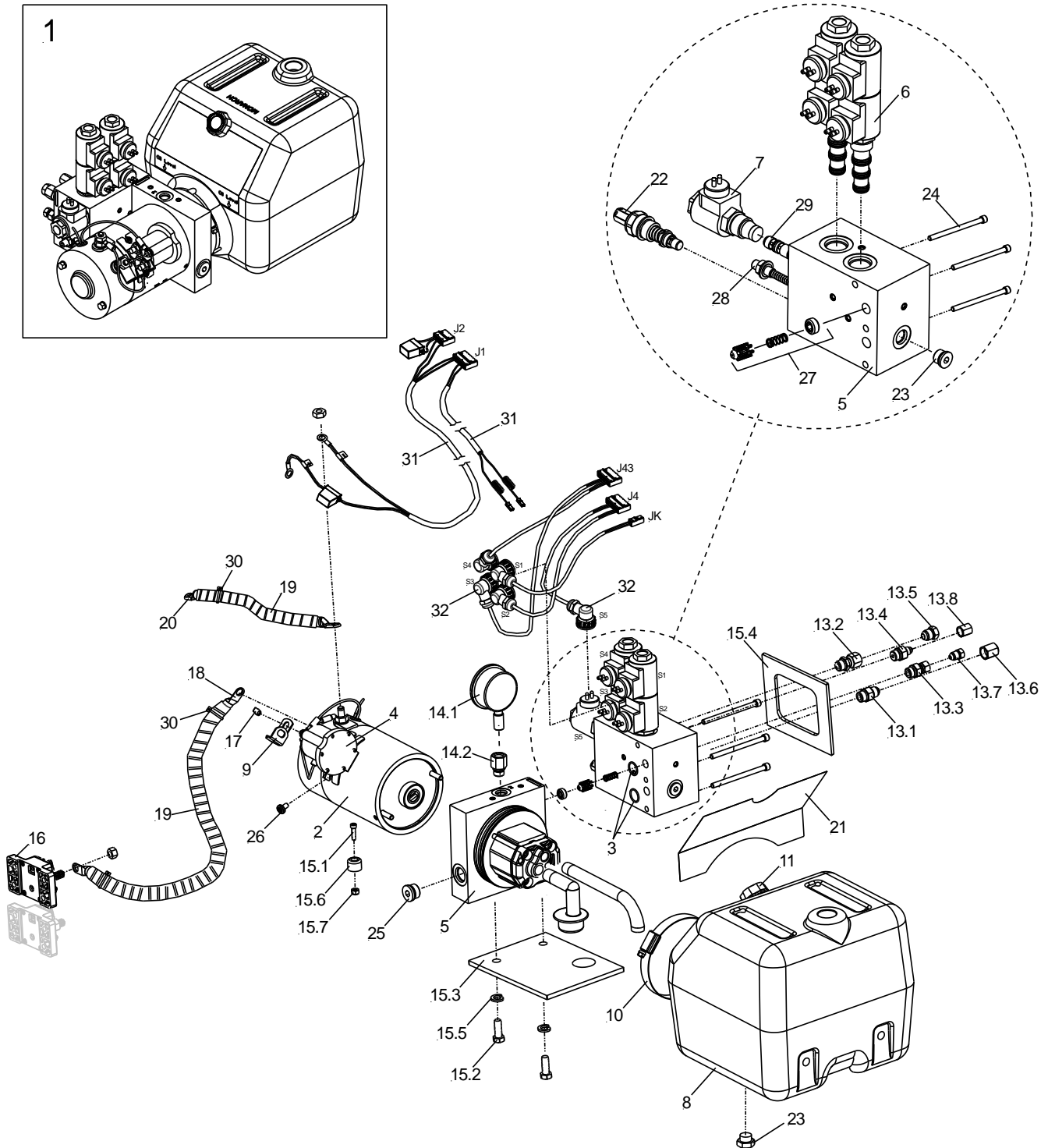
Palfinger Interlift, LLC.
 572 Whitehead Road, Trenton, NJ 08619
 Tel: (609) 587-4200, Fax: (609) 587-4201

NO.	DESCRIPTION	PART NO.	QTY.
1	Battery/Pump Box Cover, Aluminum, 38"Wx18"Hx27"D	50-1121-000	1
1.1	Battery/Pump Box Base, Weldment, Steel	50-1120-200	1
2	Washer, Flat, 3/16" ID X 1/2" OD, Steel, Zinc	EK3422	6
3	Decal Palfinger	P-2038837	1
4	Rivet. 3/16x0.45", Stainless Steel 18-8	EK3207	8
5	Grab Handle, 5.75" Hole Spacing	99-8814-010	2
6	Hood Catch	99-8814-053	2
7	Decal, Fault Codes, M-Board, Premium	85-1117-000	1
8	Decal, Electrical Schematic, 8.80"x5.50"	85-1118-000	1
9	Hex Head Cap Screw, 3/8-16x10", Gr. 2, Steel, Zinc	ES4287	4
10	Washer, Flat, 3/8" USS, Zinc	EK3216	8
11	Battery Hold Down; Nylon 6, 3-Battery	60-7520-012	1
12	Hand Remote, w/Holster, J31	P-2053050	1
12.1	Hand Remote Decal	85-1117-003	1
12.2	Screw, Pan, M5-0.8 X 10mm	ES3581	2
12.3	Nut, Nylock, M5-0.8 Zinc	EM 736	2
14	Rubber Seal Strip, 3/4"	99-8712-098	6
15	Grommet, Push-In, Flexible Rubber, 1-1/4" ID, 1-7/8" OD	EK3340	4
16.1	Clamp, Steel Cushion, 5/8"	EQ1744	1
16.2	Machine Screw, #10-24 X 1/2", Zinc	ES3440	1
16.3	Nut, Nylock, #10-24, Gr.5, Zinc	EM-697	1
17.1	Side Cover	80-1113-521	1
17.2	Grommet, Push-In, Flexible Rubber, 1/4" ID, 5/8" OD	EK3339	4
17.3	Socket Head Cap Screw, #10-24 X 3/4" Zinc	ES3448	2
17.4	Nut, Nylock, 10-24, Gr.2, Zinc	EM 730	2
18	Voltmeter, 8-18V	70-1109-201	1
19	Voltmeter Harness, J3/J30 to Ring Terminal	KET05800A	1
20	Hood Catch Kit	80-1113-533	2
20.1	Hex Head Cap Screw, 1/4-20x3/4", Gr.5, Zinc	ES3447	2
20.2	Washer, Flat, 1/4" USS, Zinc	EK3218	2
20.3	Nut, Nylock, 1/4-20, Gr.5, Zinc	EM 713	2
20.4	Hood Catch	99-8814-053	2
21.1	Switch, Master Disconnect, Poly	70-8020-001	1
21.2	Machine Screw, #10-24 X 1/2", Zinc	ES3440	4
21.3	Nut, Nylock, #10-24 Gr.5 Zinc	EM-697	4
22	Circuit Breaker, 175A, 3/8" Studs	70-8114-009	1
22.1	Circuit Breaker, 175A, Auto Reset, 3/8" Studs	70-8114-008	1
23	Nut, Nylock, 3/8-16, Gr.5, Zinc	EM-708	4
24	Battery, AGM, Group 31	3-49998	3
	Battery, Lead/Acid, Group 31	3-49999	3
25	Nut, Serrated, 3/8-16, Stainless Steel	EM 781	6
26	Bus Bar, 2-Battery, Red	KET06062A	2
27	Bus Bar, 2-Battery, Black	KET05916A	2
28	Battery Box Carrier, Assembly	80-1120-100	4
29	Carriage Bolt, 3/8-16x2.00", Gr.8, Zinc	ES4305	4
30	Nut, Nylock, 3/8-16, Gr. 8	EM 698	4
31	Bus Bar, U-Shape, Copper	KET06870A	1
32	Bus Bar, 0.09"x0.75"x2.50", Offset, Copper	KET06537A	1
33	Washer, Flat, M10, Copper	EZ4058	1
34.1	PC Board	P-2029092	1
34.2	PC Board Cover	P-2029906	1
34.3	Socket Head Cap Screw, M5-0.8x16mm	ES3699	2
34.4	Washer, M5, Oversized	EK 153	2
34.5	Hex Nut, M5, Din 934-8	EM 018	2
35	Battery/Pump Box Assembly, Box, Cover, Carrier	50-1120-020	1

Palfinger Interlift, LLC.
15939 Piuma Ave, Cerritos, CA 90703
Tel: (888) 774-5844, Fax: (562) 924-8318

Palfinger Interlift, LLC.
572 Whitehead Road, Trenton, NJ 08619
Tel: (609) 587-4200, Fax: (609) 587-4201

15 Pump and Motor

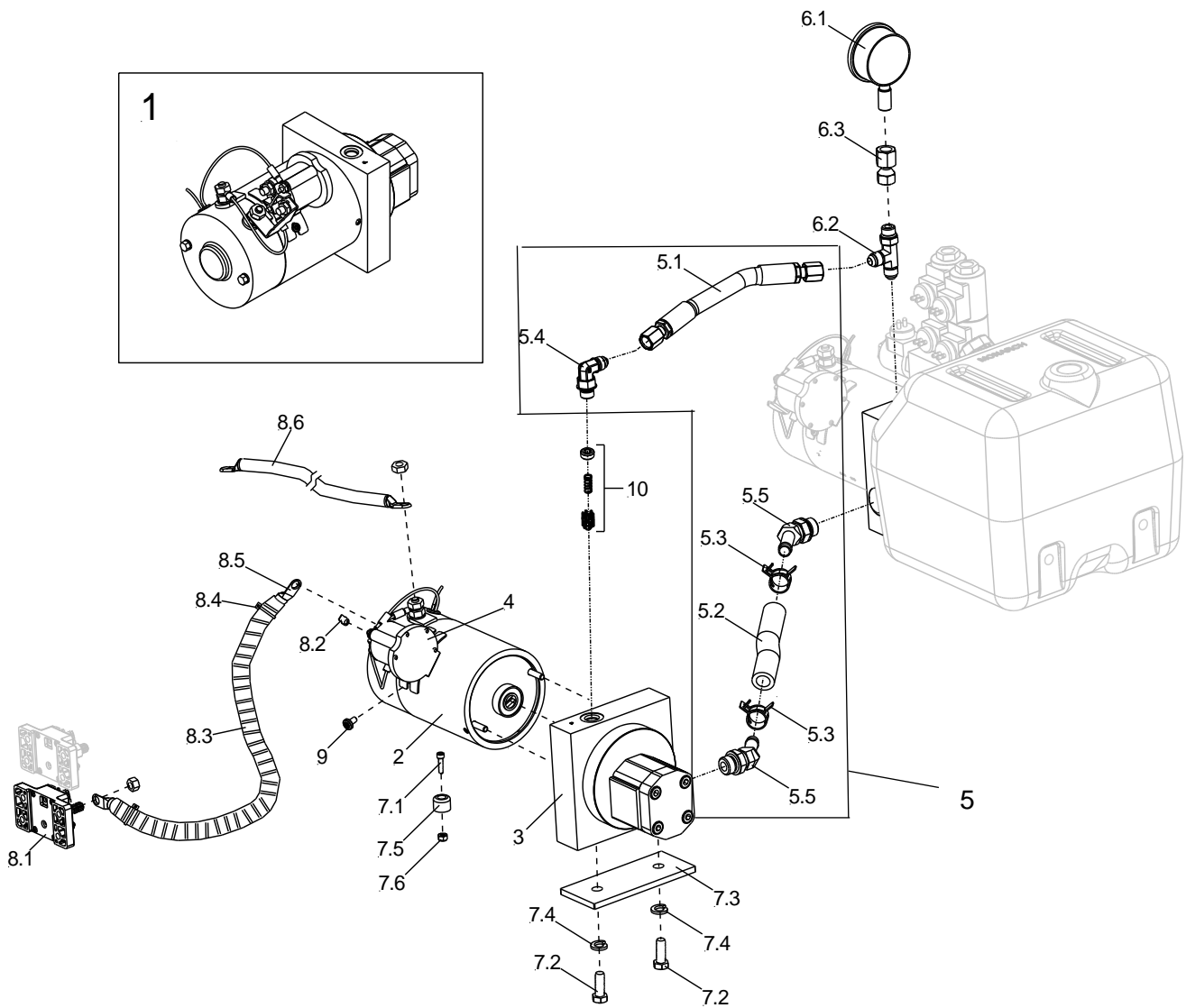


Palfinger Interlift, LLC.
15939 Piuma Ave, Cerritos, CA 90703
Tel: (888) 774-5844, Fax: (562) 924-8318

Palfinger Interlift, LLC.
572 Whitehead Road, Trenton, NJ 08619
Tel: (609) 587-4200, Fax: (609) 587-4201

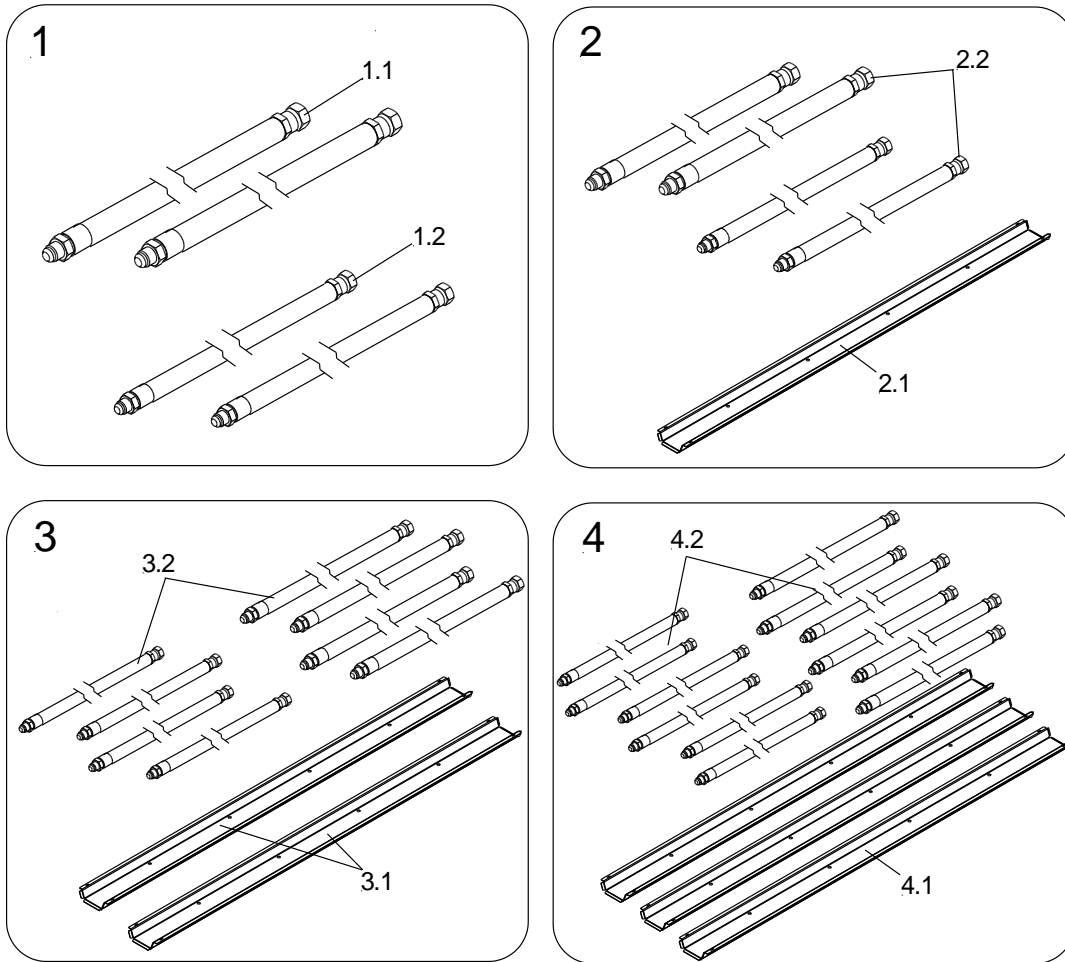
15 – PUMP AND MOTOR - PRIMARY PUMP			
NO.	DESCRIPTION	PART NO.	QTY.
1	Power Pack, Primary, Pump & Motor, 1.7CC, 12V	50-1117-006	1
	Power Pack, Primary, Pump & Motor, 1.7CC, 24V	50-1118-101	1
2	Motor, 12V	50-1118-007	1
	Motor, 24V	50-1118-008	1
3	O-Ring, 0.63"X 0.75"X 0.06"	ML50-1118-014	2
4	Motor Solenoid, 12V	50-1118-009	1
	Motor Solenoid, 24V	50-1118-010	1
5	Pump, Incl. Coupler, Pipe, Filter	ML50-1118-012	1
6	Valve, Release, Double Lock, 12V	P-2021832A	2
7	Valve, Release, Single Lock, 12V	P-67282345	1
8	Oil Reservoir	50-1118-002	1
9	Bracket, Copper Bridge, Solenoid	50-1118-001	1
10	Clamp For Oil Reservoir	50-0313-954	1
11	Breather Cap	50-0709-914	1
12	Pump Filter	50-0709-924	1
13	Fitting Kit, Primary Pump	80-1117-100	1
13.1	Adapter, Male 3/8" JIC - 3/8" ORB	HV826	1
13.2	Adpater, Female 3/8" JIC - 3/8 ORB	HV829	1
13.3	Adpater, Female 1/4" JIC - 3/8 ORB	HV830	1
13.4	Adpater, Male 1/4" JIC - 3/8 ORB	HV831	1
13.5	Plug, 3/8" JIC Male	EA6022	1
13.6	Cap, 3/8" JIC Female	EA6023	1
13.7	Plug, 1/4" JIC Male	EA6024	1
13.8	Cap, 1/4" JIC Female	EA6025	1
14	Gauge Kit, Primary Pump	80-1117-101	1
14.1	Pressure Gauge, 5000 PSI, 1/4" NPT	OS3121327	1
14.2	Adapter, 3/8" ORB - 1/4"-18 NPT	HV 836	1
15	Hardware Kit, Primary Pump	99-1117-000	1
15.1	Socket Head Cap Screw, 10-24 X 3/4", Zinc	ES3448	1
15.2	Hex Head Cap Screw, 3/8-16 X 1" ,Gr.5, Zinc	ES3446	2
15.3	Rubber Pad, Primary Pump	50-1120-003	1
15.4	Gasket	50-1120-004	1
15.5	Washer, Split Lock, 3/8"	EK3238	2
15.6	Snubber, 3/4"OD X 3/16"ID X 9/16"H	EK3698	1
15.7	Nut, Nylock, 10-24, Gr.2, Zinc	EM730	1
16	Circuit Breaker, Manual Reset, 3/8" Lugs, 175A	70-8114-009	1
17	Terminal, #10 Round Tongue, Adapter	1474387	1
18	Cable, 2 GA, 42" L, 3/8" Lugs, Red	KET06881A	1
19	Split Loom, ø1/2" X 36"	EZ8375	1
20	Cable, 2 GA, 35" L, 3/8" Lugs, Black	KET05921A	1
21	Decal, Pump Oil Level	85-1117-002	1
22	Valve, Relief, Max, HDM 10	50-0313-953	1
23	Plug, SAE, 9/16-18, Hex Socket	50-1118-003	2
24	Socket Head Cap Screw, 1/4"-20x3.50", Zinc	ES4086	3
25	Plug, SAE, 3/4"-16, Hex Socket	50-1118-004	1
26	Pan Head Screw, #10-32x0.312", Torx Drive	ES4080	2
27	Valve, Check, Primary/Secondary Pump	50-1118-005	1
28	Valve, Assembly, 1001 PSI & Up	50-1118-006	1
29	Valve, Check, Pilot OP, Cart, Zero	ML50-1118-011	1
30	Zip Tie, 175mm x 4mm, [6.8" X 0.157"]	EZ6687	1
31	Harness, Power, Control Board	P-2053011	1
32	Harness, Solenoid Valves	P-2020041	5

16 Pump and Motor – Secondary Pump



16 – PUMP AND MOTOR – SECONDARY			
NO.	DESCRIPTION	PART NO.	QTY.
1	Power Pack, Secondary- Pump and Motor, 1.7CC, 12V	50-1117-002	1
	Power Pack, Secondary- Pump and Motor, 1.7CC, 24V	50-1118-103	1
2	Motor, 12V	50-1118-007	1
	Motor, 24V	50-1118-008	1
3	Pump Block Assembly, Secondary	ML50-118-013	1
4	Motor Solenoid, 12V	50-1118-009	1
	Motor Solenoid, 24V	50-1118-010	1
5	Hydraulic Kit, Secondary Pump	80-1117-200	1
5.1	Hose, Female 3/8 JIC X 7" L	EH14737	1
5.2	Hose, 1/2" ID X 5" L, Raw	EH14739	1
5.3	Hose Clamp, 3/4" OD, Spring-Band	EQ1708	2
5.4	Elbow, Male 3/8 JIC - 3/8 ORB	HV 832	1
5.5	Elbow, 45°, 1/2 ORB - 1/2 BARB	HV 833	2
6	Pressure Gauge Kit, Secondary Pump	80-1117-202	1
6.1	Pressure Gauge, 5000 PSI, 1/4" NPT	OS3121327	1
6.2	Tee, Male 3/8 JIC - 3/8 ORB RUN	HV 827	1
6.3	Adapter, Female 3/8 JIC – Female 1/4-18 NPTF	HV 828	1
7.1	Socket Head Cap Screw, 10-24 X 3/4", Zinc	ES3448	1
7.2	Hex Head Cap Screw, 3/8-16 X 1" ,Gr.5, Zinc	ES3446	2
7.3	Rubber, 2.5" X 5.5" X 1/4"	50-1117-003	1
7.4	Washer; Splitlock, 3/8"	EK3238	2
7.5	Snubber, 3/4"OD X 3/16"ID X 9/16"H	EK3698	1
7.6	Nut, Nylock, 10-24, Gr.2, Zinc	EM 730	1
8.1	Circuit Breaker, Manual Reset, 3/8" Lugs, 175A	70-8114-009	1
8.2	Terminal, #10 Round Tongue, Adapter	1474387	1
8.3	Split Loom; ø1"X36", Black	EZ8307	1
8.4	Zip Tie	EZ6561	1
8.5	Cable, 42", 3/8" Lugs, Red	KET06881A	1
8.6	Cable, 35", 3/8" Lugs, Black	KET05921A	1
9	Pan Head Screw, #10-32x0.312", Torx Drive	ES4080	2
10	Valve, Check, Primary/Secondary Pump	50-1118-005	1

17 Hydraulic Hose Kits



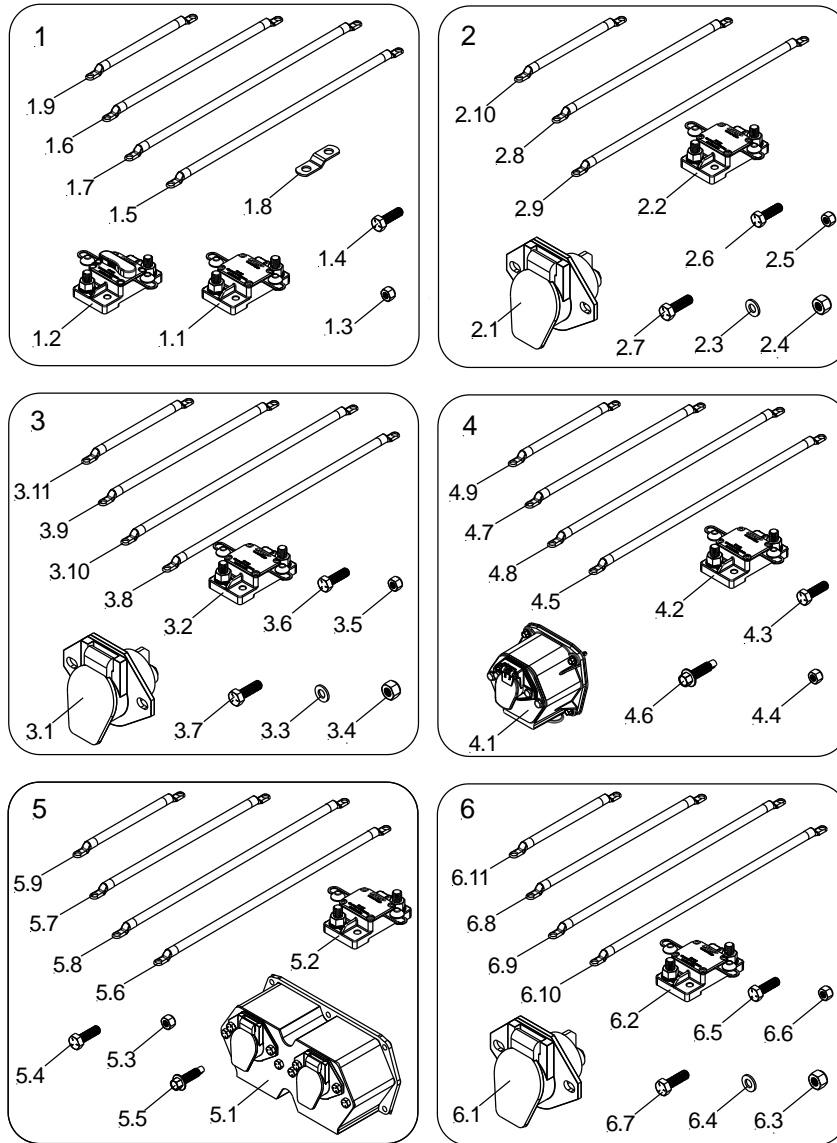
17 – HYDRAULIC HOSE KITS			
NO.	DESCRIPTION	PART NO.	QTY.
1	Hydraulic Hose Kit, 9 ft.	ML80-1120-016	1
1.1	Hose, Hydraulic, 108", 3/8" JIC Male - 3/8" JIC Female	ML80-1113-203	2
1.2	Hose, Hydraulic, 108", 1/4" JIC Male - 1/4" JIC Female	ML80-1120-015	2
1	Hydraulic Hose Kit, 3 ft.	ML80-1121-001	1
1.1	Hose, Hydraulic, 36", 3/8" JIC Male - 3/8" JIC Female	ML80-1121-002	2
1.2	Hose, Hydraulic, 36", 1/4" JIC Male - 1/4" JIC Female	ML80-1121-003	2
2	Hydraulic Hose Kit, 9 ft., with Hat Section	ML80-1120-012	1
2.1	Hat Section, 85"L	ML60-1120-015	1
2.2	Hydraulic Hose Kit, 9 ft.	ML80-1120-016	2
3	Hydraulic Hose Kit, 18 ft., with Hat Sections	ML80-1120-013	1
3.1	Hat Section, 85"L	ML60-1120-015	2
3.2	Hydraulic Hose Kit, 9 ft.	ML80-1120-016	1
4	Hydraulic Hose Kit, 27 ft., with Hat Sections	ML80-1120-014	1
4.1	Hat Section, 85"L	ML60-1120-015	3
4.2	Hydraulic Hose Kit, 9 ft.	ML80-1120-016	3

Palfinger Interlift, LLC.
 15939 Piuma Ave, Cerritos, CA 90703
 Tel: (888) 774-5844, Fax: (562) 924-8318

Palfinger Interlift, LLC.
 572 Whitehead Road, Trenton, NJ 08619
 Tel: (609) 587-4200, Fax: (609) 587-4201

NOTES

18 Trailer/Truck Charge Kits



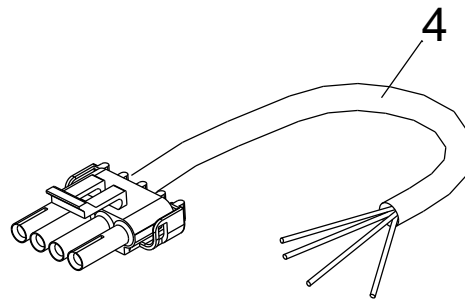
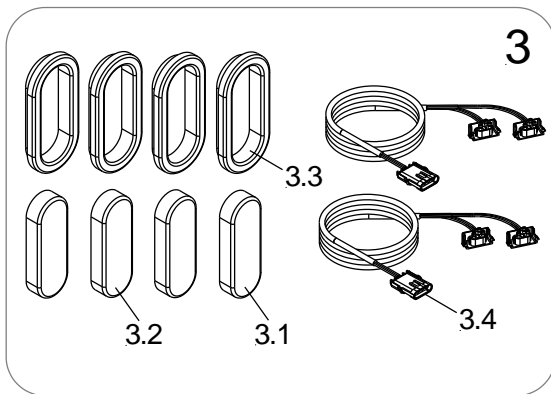
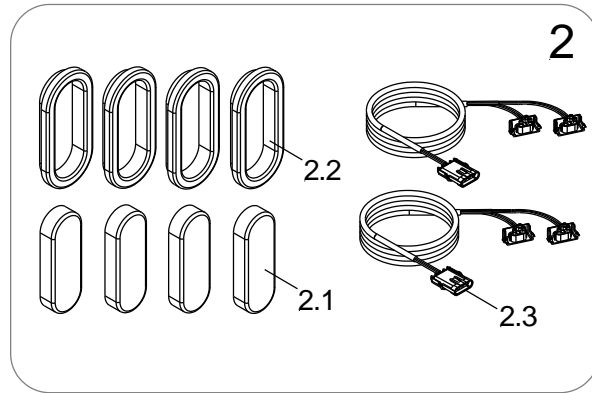
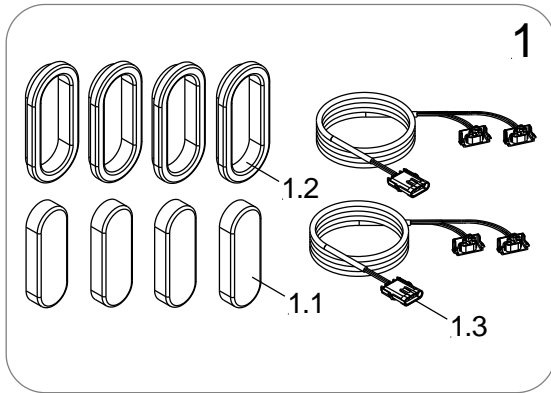
18 – TRAILER/TRUCK CHARGE KITS			
NO.	DESCRIPTION	PART NO.	QTY.
1	Truck Kit, 40 ft, Electrical	ML70-1121-010	1
1.1	Circuit Breaker, 175A, Auto	70-8114-008	1
1.2	Circuit Breaker, 175A, Manual	70-8114-009	1
1.3	Nut, Nylock,, 1/4-20 Zinc	EM 722	2
1.4	Hex Head Cap Screw, 1/4-20x1.0" Gr.5, Zinc	ES3443	2
1.5	Wire, Battery cable 2Ga. Black	KET05701A	1
1.6	Cable; 74"; 3/8 Lugs; Black	KET05925A	1
1.7	Cable, 2GA; 480"; 3/8 Lugs; Red	KET06314A	1
1.8	Bus Bar, .09x.75x2.5	KET06537A	1
1.9	Cable; 11"; 3/8" Lugs; Red	KET06882A	1
2	Trailer Kit, Single Pole, 40 ft, Electrical	ML70-1121-011	1
2.1	Socket; Single Pole	70-8015-019	1

Palfinger Interlift, LLC.
 15939 Piuma Ave, Cerritos, CA 90703
 Tel: (888) 774-5844, Fax: (562) 924-8318

Palfinger Interlift, LLC.
 572 Whitehead Road, Trenton, NJ 08619
 Tel: (609) 587-4200, Fax: (609) 587-4201

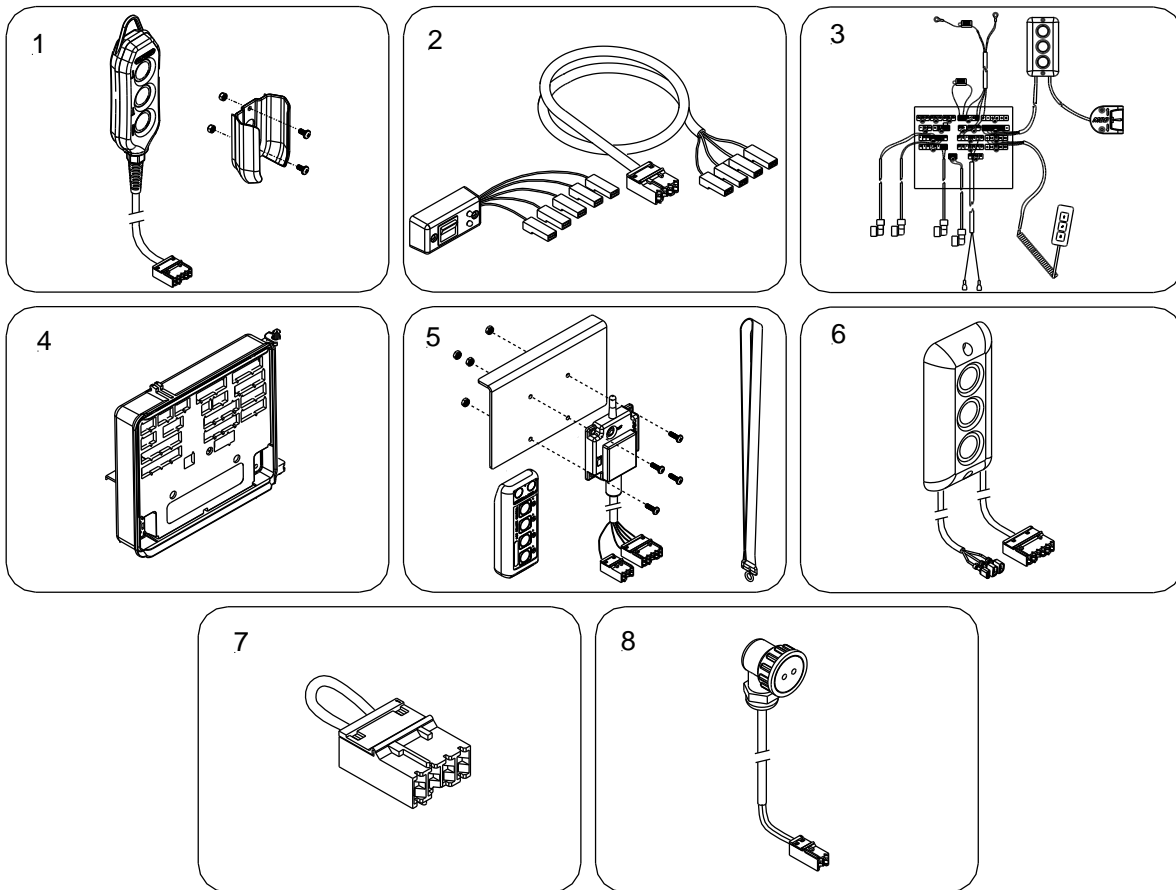
2.2	Circuit Breaker, 175A, Auto	70-8114-008	1
2.3	Washer, Flat, 5/16" USS, Zinc	EK3217	4
2.4	Nut, Nylock, 5/16"-18	EM 710	2
2.5	Nut, Nylock 1/4"-20 Zinc	EM 722	2
2.6	Hex Head Cap Screw, 1/4"-20x1.00" Gr.5, Zinc	ES3443	2
2.7	Hex Head Cap Screw; 5/16"-18x1"	ES3724	2
2.8	Cable; 74"; 3/8" Lugs; Black	KET05925A	1
2.9	Cable 2GA; 480"; 3/8Lugs; Red	KET06314A	1
2.10	Cable; 11"; 3/8" Lugs; Red	KET06882A	1
3	Trailer Kit, Dual Pole, 40 ft, Electrical	ML70-1121-012	1
3.1	Socket; Dual Pole	70-8015-018	1
3.2	Circuit Breaker, 175A, Auto	70-8114-008	1
3.3	Washer, Flat, 5/16" USS, Zinc	EK3217	4
3.4	Nut, Nylock, 5/16"-18	EM 710	2
3.5	Nut, Nylock 1/4"-20 Zinc	EM 722	2
3.6	Hex Head Cap Screw, 1/4"-20x1.0" Gr.5,zinc	ES3443	2
3.7	Hex Head Cap Screw; 5/16"-18x1"	ES3724	2
3.8	Wire, Battery Cable, 2Ga. Black	KET05701A	1
3.9	Cable; 74"; 3/8" Lugs; Black	KET05925A	1
3.10	Cable, 2GA; 480"; 3/8 Lugs; Red	KET06314A	1
3.11	Cable; 11"; 3/8" Lugs; Red	KET06882A	1
4	Trailer Kit, Single Nosebox, 40 ft, Electrical	ML70-1121-013	1
4.1	Nosebox; Single; Dual Pole	70-8018-008	1
4.2	Circuit Breaker, 175A, Auto	70-8114-008	1
4.3	Hex Head Cap Screw, 1/4-20x1.0" Gr.5, Zinc	ES3443	1
4.4	Nut, Nylock, 1/4-20, Zinc	EM 722	2
4.5	Wire, Battery Cable 2Ga., Black	KET05701A	1
4.6	Hex Head Cap Screw; Tapping, 5/16-18x1.25"	ES3733	4
4.7	Cable; 74"; 3/8 Lugs; Black	KET05925A	1
4.8	Cable, 2GA; 480"; 3/8 Lugs; Red	KET06314A	1
4.9	Cable; 11"; 3/8" Lugs; Red	KET06882A	1
5	Trailer Kit, Dual Nosebox, 40 ft, Electrical	ML70-1121-014	1
5.1	Dual Nosebox; Single/Dual	70-8015-020	1
5.2	Circuit Breaker, 175A, Auto	70-8114-008	1
5.3	Nut, Nylock, 1/4"-20 Zinc	EM 722	2
5.4	Hex Head Cap Screw, 1/4-20x1.0", Gr.5, Zinc	ES3443	2
5.5	Hex Head Cap Screw; Tapping, 5/16"-18x1.25"	ES3733	6
5.6	Wire, Battery Cable 2Ga. Black	KET05701A	1
5.7	Cable; 74"; 3/8 Lugs; Black	KET05925A	1
5.8	Cable, 2GA; 480"; 3/8 Lugs; Red	KET06314A	1
5.9	Cable; 11"; 3/8" Lugs ;Red	KET06882A	1
6	Trailer Kit, Dual Pole, 70 ft, Electrical	ML70-1121-015	1
6.1	Socket; Dual Pole	70-8015-018	1
6.2	Circuit Breaker, 175A, Auto	70-8114-008	1
6.3	Nut, Nylock, 5/16"-18	EM 710	2
6.4	Washer, Flat, 5/16",USS, Zinc	EK3217	4
6.5	Hex Head Cap Screw, 1/4-20x1.0" Gr.5, Zinc	ES3443	2
6.6	Nut, Nylock 1/4"-20, Zinc	EM 722	2
6.7	Hex Head Cap Screw; 5/16-18x1"	ES3724	2
6.8	Cable; 74"; 3/8 Lugs; Black	KET05925A	1
6.9	Cable; 2Ga Black 3/8" Lug; 840"	KET06786A	1
6.10	Cable; 2Ga Red 3/8" Lug; 840"	KET06787A	1
6.11	Cable; 11"; 3/8" Lugs; Red	KET06882A	1

19 Light Kits



19 - LIGHT KITS			
NO.	DESCRIPTION	PART NO.	QTY.
1	Light Kit; Red; Oval; PTV Optronics; With Harness	ML70-1121-020	1
1.1	Light-LED Red Tail/Stop	70-0714-002	4
1.2	Light Grommet	70-0714-003	4
1.3	Harness; Tail Light; PTV	ML70-1120-100	2
2	Light Kit; Red/Amber; Oval; PTV Optronics; With Harness	ML70-1121-021	1
2.1	Light-LED Red Tail/Stop	70-0714-002	1
2.2	Light Grommet	70-0714-003	4
2.3	Harness; Tail Light; PTV	ML70-1120-100	2
2.4	Light, Amber, Oval LED	70-1116-003	2
3	Light Kit; Red/White; Oval; PTV Optronics; With Harness	ML70-1121-022	1
3.1	Light-Led White-Back Up	70-0714-001	1
3.2	Light-LED Red Tail/Stop	70-0714-002	2
3.3	Light Grommet	70-0714-003	4
3.4	Harness; Tail Light; PTV	ML70-1120-100	2
4	Adapter; Blunt Cut Pigtail	EEA16991	1

20 Controls



20 - CONTROLS			
NO.	DESCRIPTION	PART NO.	QTY.
1	Hand Remote, w/Holster, J31	P-2053050	1
2	Cab Shut Off Switch Kit (Optional)	70-1113-200	1
3	PC Board Kit, w/Harness, 3-Button Flush, 3-Button Coil, & Toggle	P-2032695	1
4	Control Board, M-Board, Premium	P-2029092	1
5	Kit, Wireless Remote, 4-Way Operation (Optional)	70-1115-000	1
5.1	Wireless Remote, Receiver With J31 & J41 Connectors	P-2037293	1
5.2	Bracket, Receiver Mount	70-1115-001	1
5.3	Lanyard	60-7515-010	1
5.4	Pan Head Screw, Machine, #10-32 X 5/8"	ES3469	4
5.5	Nut, Nylock, #10-32	EM 702	4
6	Control, 3-Button Flush Mount, J30	P-2020653	1
7	Jumper, J11. (Contacts: 2&4)	P-2020042	1
8	Harness, Solenoid Valve, JK	P-2020041	1

21 Decals

1 OPERATING INSTRUCTIONS
Read all Decals and Owner's Manual before operating liftgate.
PTV - 2 PC FOLDING PLATFORMS

- Power liftgate by turning the master disconnect switch to the "ON" position. Switch is located on the pump box.
- Be certain operating area around platform is clear before operating liftgate.
- Using the "UP" button, power the platform up so that it is completely out of the travel lock.
- Using the "DOWN" button and "OPEN" button simultaneously, power open platform.
- Using the "Down" button twice (within 3 seconds) to power down (use power down with no load on platform).

2 OPERATING INSTRUCTIONS
Read all Decals and Owner's Manual before operating liftgate.

PTV

UP CLOSE
DOWN OPEN

PRESS BUTTONS SIMULTANEOUSLY

FOR POWER DOWN PUSH THE DOWN BUTTON TWICE WITHIN 3 SECONDS

3 URGENT WARNING
BEFORE OPERATING LIFT, BE SURE YOU UNDERSTAND:

- Improper operation of this lift gate can result in serious personal injury. Do not operate unless you have been properly instructed. Never stand, sit or work with the load being lifted. If you do not have a copy of the instructions please obtain them from your employer, distributor or dealer, as appropriate, before you attempt to operate the lift gate.
- Be certain the vehicle is properly and securely braked before using the liftgate.
- Always inspect this lift gate for maintenance or damage before using it. If there are signs of excessive wear, damage or if the gate is a slippery platform surface, do not use the lift gate. Do not attempt your own repairs unless you are specifically trained.
- Do not overload. See the Mfg. Literature and/or Rating Label on the unit for the rated load. Remember that this limit applies to both raising and lowering operations.
- Each load should be placed in a stable position as near as possible to the center of the platform.
- Never allow yourself, a helper, or a bystander to stand in a position where an unstable load might fall on them. Do not allow any part of you or your helper's body to be placed under, through, or around any portion of the raising lift gate, or in a position that would trap them between any parts when the lift gate is operated.
- This lift gate is intended for loading and unloading of cargo only. Do not use this lift gate for anything but its intended use. The lift gate is not equipped with a lock up system to prevent falling in the event of a failure.

4 WARNING
LIFTGATE HAZARDS CAN RESULT IN CRUSHING OR FALLING.
KEEP HANDS AND FEET CLEAR OF PINCH POINTS.
IF RIDING LIFTGATE, MAKE SURE LOAD IS STABLE AND FOOTING IS SOLID.
READ AND UNDERSTAND ALL INSTRUCTIONS AND WARNINGS BEFORE USE.

5 WARNING
ALWAYS STAND CLEAR OF PLATFORM AREA

6 NOTICE
ELECTRICAL SYSTEM IS PROTECTED BY A RESETTABLE CIRCUIT BREAKER. SEE OWNER'S MANUAL AND DECAL LOCATED AT THE BATTERY.

7 NOTICE
ELECTRICAL SYSTEM PROTECTED BY RESETTABLE CIRCUIT BREAKER. TO RESET, PUSH RESET TAB IN.

8 NOTICE
OPEN AND CLOSE LIFTGATE WITH PLATFORM FULLY RAISED

9 NOTICE
UP
DOWN

10 CAUTION
MAXIMUM LOAD CAPACITY
XXXX LBS
[XXXX KG]
CENTER LOAD ON PLATFORM TO AVOID PERSONAL OR PROPERTY DAMAGE

11
ALIGN ARROWS TO OPEN & CLOSE PLATFORM

12 PTV Electrical Schematic:
Detailed wiring diagram showing connections between the battery, control switches, relays, and motors.

13 PTVILD+ PREMIUM M-BOARD FAULT CODES

Code	Description	Reason	Solution 1:	Solution 2:	Solution 3:	Solution 4:	Solution 5:
S	System OK / Control System: OFF	System OK / Control System: OFF	System OK / Control System: ON	-	-	-	-
S	System OK / Control System: ON	System OK / Control System: ON	System OK / Control System: OFF	-	-	-	-
2	Low Voltage	Voltage at Pin 2 too low	Check 21 & 22 power cables at PC board and battery for tight connection, oxidation and damage.	Check the battery condition / battery charged	Motor could have worn carbon brushes - motor could be bad	-	-
7	Short in Cab Switch / On-Off switch or Aux part	Power consumption at Pin 1 to high	Check 21 & 22 power cables at PC board and battery for tight connection, oxidation and damage.	Wiring wires are by pin	Repair cables, connections, check for burnt or cranked wires	Short in motor platform	Replace motor platform
8	General Short	General power consumption to high	Check 21 & 22 power cables at PC board and battery for tight connection, oxidation and damage.	Check the battery condition / battery charged	Freewheel short in Thermo Switch inside motor	-	-
9	Defect in motor solenoid during lifting	Power consumption at Pin 3 to high	Check 21 & 22 power cables at PC board and battery for tight connection, oxidation and damage.	Check the battery condition / battery charged	Check reset tester	-	-
A	Fuse (10A) damaged on power pack (at Pin 2)	Defective fuse at Pin 2	Check fuse on power pack	Replace fuse with same part	-	-	-
b	Defective motor solenoid	Power consumption at Pin 3 to high	Check 21 & 22 power cables at PC board and battery for tight connection, oxidation and damage.	Check the battery condition / battery charged	Check when setting of the coils	-	Change coils or cables
c	During operation, an error on the motor solenoid	Power consumption at Pin 3 to high	Check 21 & 22 power cables at PC board and battery for tight connection, oxidation and damage.	Check the battery condition / battery charged	Check when setting of the coil motor platform	-	Change coils or cables
P	Error diagnostic mode active	Detached service plug	-	-	-	-	-

14 NOTICE
Read all Decals and Owner's Manual before operating liftgate.
Auxiliary 3-Button Hand Control

- Secondary backup and troubleshooting use only.
- Not for everyday use.

15

16 PALFINGER

Palfinger Interlift, LLC.
15939 Piuma Ave, Cerritos, CA 90703
Tel: (888) 774-5844, Fax: (562) 924-8318

Palfinger Interlift, LLC.
572 Whitehead Road, Trenton, NJ 08619
Tel: (609) 587-4200, Fax: (609) 587-4201

21 - DECALS			
NO.	DESCRIPTION	PART NO.	QTY.
1	Operating Instructions	ML85-1121-005	1
2	Operational Instruction-Controls	ML85-1121-004	1
3	Urgent Warning Decal	ATG-URGWA	1
4	Warning- Liftgate Hazards	ATG-WLH	2
5	Warning- Stand Clear	ATG-PLAT	2
6	Electrical System	ATG-RESET	1
7	Circuit Breaker, Blue	ATG-BKR	1
8	Notice For Open And Close	ATG-OPENILD	1
9	Up/Down	ATG-UD	1
10	Liftgate Capacity	ATG-XXXX*	2
11	Platform Alignment Arrows	ATG-ARWILD	1
12	Electrical Schematic	ML85-1121-010	1
13	Decal, Fault Codes, M-Board	85-1117-000	1
14	3-Button Auxiliary Remote Decal	85-1117-003	1
15	Conspicuity Tape (If applicable)	85-1114-003/85-1114-001	1
16	Decal, Palfinger Logo, Horizontal Mount	P-2038837	1
17	Decal, Palfinger Logo, Vertical Mount	OS1263362	2

***XXXX = LIFTGATE CAPACITY (LBS) [EXAMPLE PART NUMBER: ATG- 3300]**

