

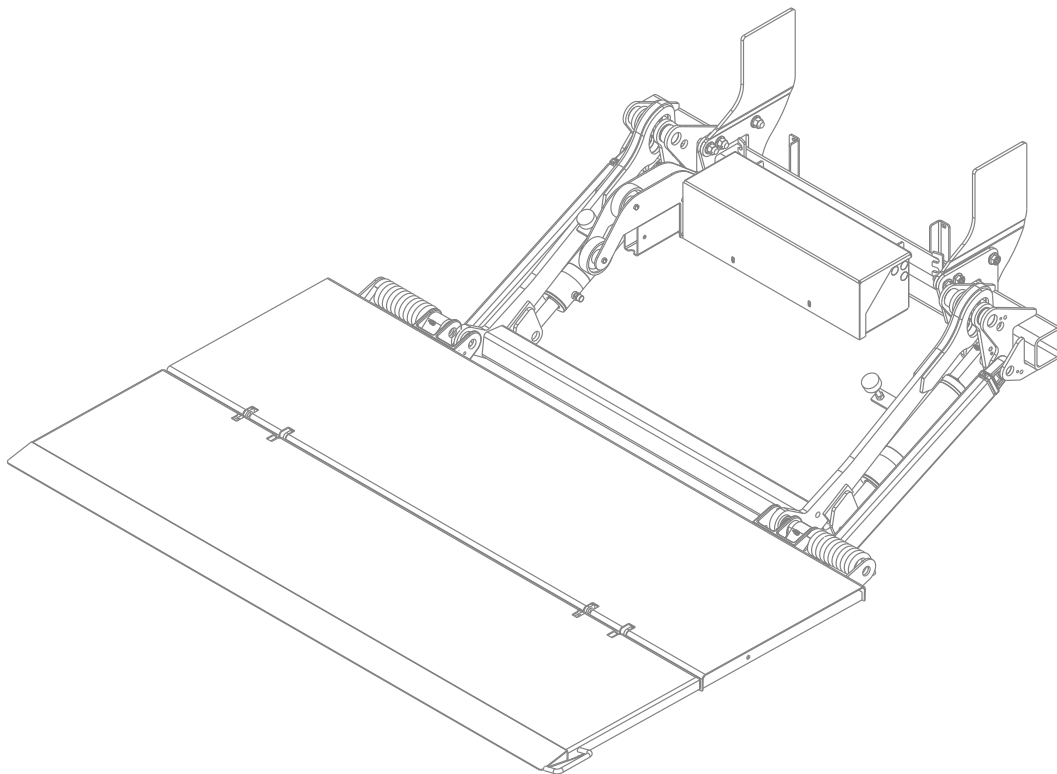
INTERLIFT

BY **PALFINGER**

PARTS MANUAL

ILP 25, 2500 lbs. Capacity

ILP 33, 3300 lbs. Capacity



ILP 25/33 Parts Manual
Document Part Number: 90-0116-002 / 16-684_90-00_00-02
ECN-M1723, Rev. 1.3, 12-07-23
Copyright © 2023 Palfinger Interlift, LLC.
All rights reserved.

Information in this document is subject to change without notice.
Visit www.palfinger.com for up to date information and notifications.

If you received this product with damaged or missing parts,
contact INTERLIFT Liftgates at (888)-774-5844

Parts Order/Inquiries
liftgateparts@palfinger.com

Technical Support
technicalapplications@palfinger.com



15939 Piuma Ave.
Cerritos, CA 90703
Tel (888) 774-5844
Fax (562) 924-8318



572 Whitehead Road.
Trenton, NJ 08619
Tel (609) 587-4200
Fax (609) 587-4201

Parts Orders:

- There is a \$50.00 minimum parts order.
- Ground freight is free for spare parts orders exceeding \$1,500.00, excluding platforms, runners, mount frames and other main assemblies.
- Contact parts department, our hours are from 8 am EST in NJ until 5 pm PST in CA
- California: (888) 774-5844, or (562)924-8218, ext. 97, 29 , or 15; Fax: (562) 924-8318.
New Jersey: at (609) 587-4200; Fax: (609) 587-4201.
E-mail orders or inquiries for both locations to: liftgateparts@palfinger.com
- Next Day Air shipments must be received by 2:30 pm local time at either location.
- To ensure quick delivery when placing an order, please be sure to include: liftgate model, serial number, part number, and description in accordance with spare Parts List.
- Any parts being returned must have Return Merchandise Authorization (RMA) number, copy of invoice and a detailed packing list of returned parts. RMA numbers will be issued by parts department and are valid for 30 days. All returned RMA parts must be returned to INTERLIFT Liftgates by prepaid freight or by call tag.
- Parts must be returned in NEW CONDITION. To receive credit on returned parts, the original purchase date must be within 6 month and authorized by INTERLIFT Liftgates.
- Returned parts are subject to a 20% restocking charge.
- Any part received not in new condition will be subject to inspection and possible refusal. All INTERLIFT Liftgates parts are covered for one year from date of purchase against defects in material and workmanship.
- **Warranty Coverage: part replacement only.**

Important Liftgate Information:

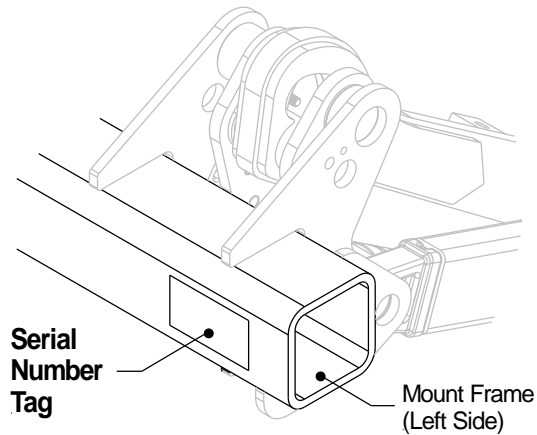
1. Liftgate serial information can be found on the left side of the mount frame. Please have the liftgate information ready when ordering parts to assure parts are replaced accurately.

Serial Number Tag

PALFINGER		
(888) 774-5844	CERRITOS, CA. TRENTON, N.J.	
Model	Serial No.	Date
<input style="width: 80%;" type="text"/>	<input style="width: 80%;" type="text"/>	<input style="width: 80%;" type="text"/>

OR

PALFINGER	
ILP ML684-VL-A 0123456789	



2. The finish for many parts differs from liftgate to liftgate. It is important to specify what type of finish the replacement part(s) has. INTERLIFT Liftgates uses galvanized, galvannealed, powder coat, paint, and zinc coated components on the different models of liftgates. If not sure what finish is on the part(s), mention this to the Parts Department Representative.

Table of Contents

1 **Frame –Weld On (After Jan 2019)**..... 6

2 **Frame –Weld On (Before Jan 2019)**..... 8

3 **Frame (German) Discontinued 2019?**..... 10

4 **Pins (After 2018)**..... 11

5 **Pins and Bushings (Prior 2018)**..... 12

6 **Aluminum Platforms (After 2015)**..... 14

7 **Aluminum Platforms (Prior 2015)**..... 16

8 **Steel Platforms (After 2015)**..... 18

9 **Steel Platforms (Prior to 2015)**..... 20

10 **Steel/Aluminum Platforms (After 2015)**..... 22

11 **Steel/Aluminum Platforms (Prior 2015)**..... 24

12 **Aluminum Platform (German) – Discontinued**..... 25

13 **Cart Stops**..... 26

 13.1 Aluminum Platforms..... 26

 13.2 Steel Platforms..... 27

14 **Lift Cylinder – (Discontinued 2013)**..... 28

15 **Mechanical Power Down**..... 29

16 **Bumpers**..... 30

17 **Hydraulic Pump Box**..... 32

18 **Hydraulic Power Unit**..... 34

19 **Hydraulic Power Unit (Until January 2013)**..... 35

20 **Hydraulic Tubing**..... 36

 20.1 Power Down – After 2019..... 36

 20.2 Power Down (2017-2019)..... 36

 20.3 Gravity Down..... 37

 20.4 Power Down – Discontinued 2017..... 37

 20.5 Power Down (German) – Discontinued 2019..... 38

21 **Hydraulic Kit – Power Down**..... 38

22 **Bed Extensions**..... 39

23 **Dock Bumpers (After 2014)**..... 40

24 **Dock Bumper – Rubber Bumpers**..... 42

25 **Dock Bumper - Light Kits**..... 44

26 **Dock Bumper Steps**..... 46

27 **Dock Bumpers - Walk Ramp Extensions**..... 47

28 **Walk Ramp**..... 48

29 **Battery Box Kits**..... 50

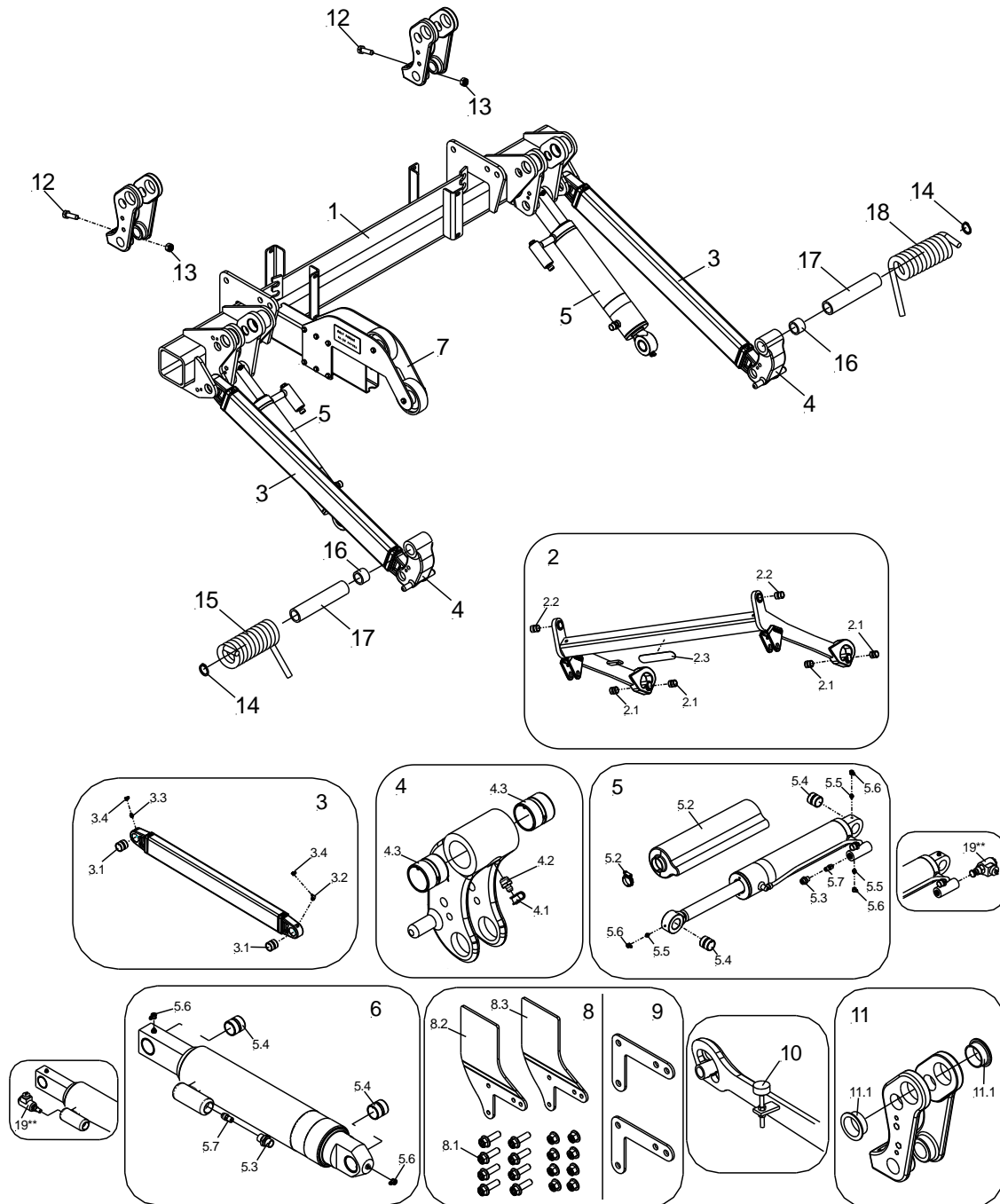
30 **Trailer/Truck Charge Kits**..... 52

31 **Controls**..... 54

32 **Decals**..... 55

1 Frame –Weld On (After Jan 2019)

INTERLIFT Liftgates use galvanized, galvanealed, powder coat, paint, zinc, and other finishes on different liftgate models. It is important to specify what type of finish is required for the ordered replacement parts.



Palfinger Interlift, LLC.
15939 Piuma Ave, Cerritos, CA 90703
Tel: (888) 774-5844, Fax: (562) 924-8318

Palfinger Interlift, LLC.
572 Whitehead Road, Trenton, NJ 08619
Tel: (609) 587-4200, Fax: (609) 587-4201

1 - FRAME			
NO.	DESCRIPTION	PART NO.	QTY.
1	Mount Frame Assembly, Black	01-0118-300+B	1
	Mount Frame Assembly, Galvanized	01-0118-300+G	1
2	Lift Arm Assembly, 800mm, Black (After 2019)	10-0119-300+B	1
	Lift Arm Assembly, 800mm, Galvanized (After 2019)	10-0119-300+G	1
	Lift Arm Assembly, 900mm, Black (After 2019)	10-0119-400+B	1
	Lift Arm Assembly, 900mm, Galvanized (After 2019)	10-0119-400+G	1
2.1	Bushing, 28mmx32mmx31mm, Bronze	ELG1039	4
2.2	Bushing, 28mmx32mmx36mm, Bronze	ELG1036	2
2.3	Palfinger Nameplate	85-0315-100	1
3	Parallel Arm Assembly, 800mm, Black	15-0315-001+B	1
	Parallel Arm Assembly, 800mm, Galvanized	15-0315-001+G	1
	Parallel Arm, Assembly, 900mm, Black	15-1014-002+B	1
	Parallel Arm, Assembly, 900mm, Galvanized	15-1014-002+G	1
3.1	Bushing, 28mm x 32mm x 31mm, Bronze	ELG1039	2
3.2	Grease Fitting, 90°, M10 x 1mm	EA-023	1
3.3	Zerk Fitting, M10x1	EA-005	1
3.4	Cap, Zerk Fitting	P-1191680	2
4	Shackle Kit, 120mm, Galvanized	25-1014-003+G	1
4.1	Zerk Fitting, Cap	P-1191680	1
4.2	Zerk Fitting, M10x1mm	EA-005	1
4.3	Bushing, 28mm x 32mm x 31mm, Bronze	ELG1039	2
5	Cylinder, Power Down, 63mm	40-0115-200	1
5.2	Cylinder Rubber Boot Kit	ML40-0320-010	1
5.3	Adapter, 1/4" BSP X 10L	EA6236	1
5.4	Bushing, 28mm ID x 32mm OD x 31mm, Bronze	ELG1039	2
5.5	Grease Zerk Fitting, M10X1X15.3mm	EA-005	3
5.6	Cap, Zerk Fitting	P-1191680	3
5.7	Restrictor, 3 L/min (No. 3)	P-1355942	1
6	Cylinder Gravity Down, 63mm	P-2037627	1
7	Parting Wheel Kit, w/Hardware, Black	60-1009-000+B	1
	Parting Wheel Kit, w/Hardware, Galvanized	60-1009-000+G	1
8	Mount Plate Kit, Bolt-On, w/Hardware	06-0318-370	1
8.1	Hardware Kit, 5/8"-18	65-7518-100	1
8.2	Mount Plate, Offset, Left Side	06-0319-301+B	1
8.3	Mount Plate, Offset, Right Side	06-0319-302+B	1
9	Mount Plates, Bolt-On, Spacer Kit	06-0319-350	1
10	Rubber Pad Kit, Adjustable	P-1128624	1
11	Swing Arm Assembly, Cast, Galvanized	05-0117-000+G	1
11.1	Bushing, Flanged, 36mm	P-1278682	2
12	Hex Head Cap Screw, 5/16-18x1", Zinc	ES3724	2
13	Nut, 5/16"-18, Gr. 5, Zinc	EM 791	2
14	External Retaining Ring	EQ1661	2
15*	Torsion Spring, Left Side Standard, Black	ML20-0116-001+B	1
	Torsion Spring, Left Side Heavy Duty, Gray	20-0113-001	
16	Spacer, Liftarm, Zinc	25-0113-875	2
17	Spacer, Spring, ø40 X 5 X 192mm, Plastic	P-1228526	2
18*	Torsion Spring, Right Side, Standard, Black	ML20-0116-002+B	1
	Torsion Spring, Right Side, Heavy Duty, Gray	20-0113-002	
19**	Release Valve, Single Lock, 12V	P-67282345	2
20	Bushing Kit	75-0118-300	1
20.1	Bushing, 28mmx32mmx31mm, Bronze	ELG1039	12
20.2	Bushing, 28mmx32mmx36mm, Bronze	ELG1036	2
20.3	Bushing, Flanged, 36mm	P-1278682	4

* Mount frame configurations with aluminum platform sizes 42" and 48" do not get a driver side spring. All other configurations get a Standard or Heavy Duty spring on curb side and driver side.

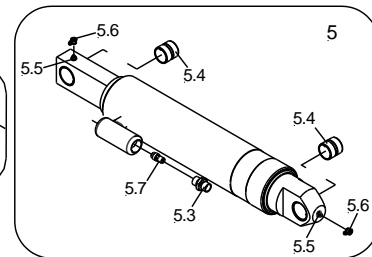
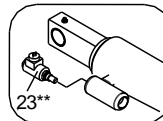
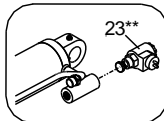
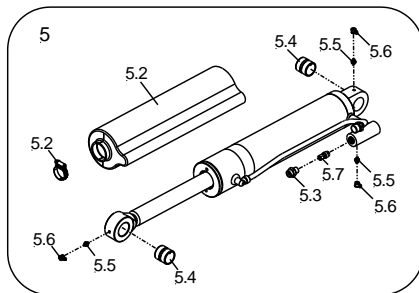
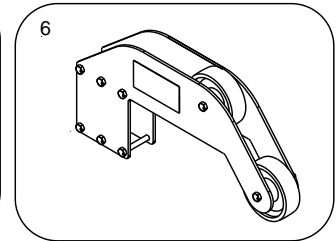
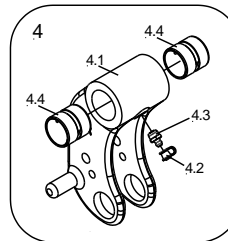
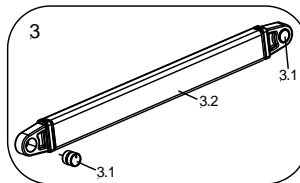
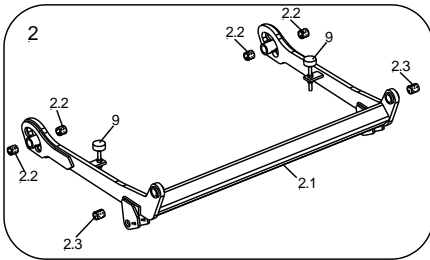
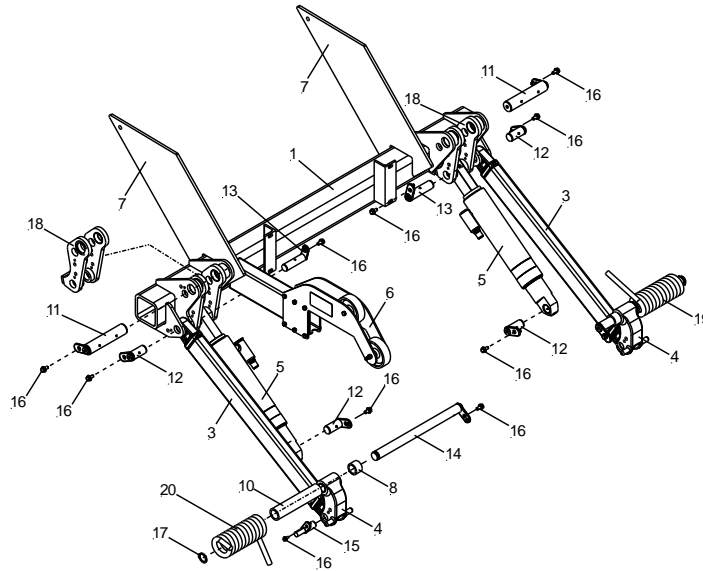
** Release valve is sold separately.

Palfinger Interlift, LLC.
15939 Piuma Ave, Cerritos, CA 90703
Tel: (888) 774-5844, Fax: (562) 924-8318

Palfinger Interlift, LLC.
572 Whitehead Road, Trenton, NJ 08619
Tel: (609) 587-4200, Fax: (609) 587-4201

2 Frame –Weld On (Before Jan 2019)

INTERLIFT Liftgates use galvanized, galvanealed, powder coat, paint, zinc, and other finishes on different liftgate models. It is important to specify what type of finish is required for the ordered replacement parts.



2 - FRAME			
NO.	DESCRIPTION	PART NO.	QTY.
1	Mount Frame Assembly, Black	01-0114-100+B	1
2	Assy', Lift Arm 800mm	426LA A	1
2.1	Palfinger Decal	85-0315-100	1
2.2	Bushing, 28mm x 32mm x 31mm, Bronze	ELG1039	4
2.3	Bushing 28mm x 32mm x 36mm, Bronze	P-1403364	2
2.4	Lift Arm, 900mm, Assy, (Not Shown)	426LA A-900	1
3	Kit, Parallel Arm, 800mm	15-0115-201	1
3.1	Bushing, 28mm x 32mm x 31mm, Bronze	ELG1039	2
3.2	Parallel Arm, 800mm	15-0115-200	1
3.3	Kit, Parallel Arm, 900mm, (Not Shown)	15-0115-101	1
4	Kit, Shackle, 120mm	25-1014-003	1
4.1	Shackle, 120mm, ILT	25-1013-100	1
4.2	Cap, Zerk Fitting	P-1191680	1
4.3	Zerk Fitting M10x1mm	EA-005	1
4.4	Bushing, 28mm x 32mm x 31mm, Bronze	ELG1039	2
5	Cylinder, Power Down, 63mm	40-0115-200	1
	Cylinder Gravity Down, 63mm	P-2037627	1
5.2	Cylinder Rubber Boot Kit	ML40-0320-010	1
5.3	Adapter, 1/4" BSP X 10L	EA6236	1
5.4	Bushing, 28mm ID x 32mm OD x 31mm, Bronze	ELG1039	2
5.5	Grease Zerk Fitting, M10X1X15.3mm	EA-005	3
5.6	Cap, Zerk Fitting	P-1191680	3
5.7	Restrictor, 3 L/min (No. 3)	P-1355942	1
6	Parting Wheel Kit, w/Hardware, Black	60-1009-000+B	1
	Parting Wheel Kit, w/Hardware, Galvanized	60-1009-000+G	1
7	Mount Plate	06-0113-001	2
8	Spacer- Lift Arm	25-0113-875	2
9	Kit, Rubber Pads, Adjustable	P-1128624	2
10	Spacer, Spring	P-1228526	2
11*	Pin, ϕ 36mmx180mm (Prior 2018)	P-1238286	2
	Pin, ϕ 36 X 180mm [ϕ 1.4 X 7"L], SS	2039958	2
12*	Pin, ϕ 28mmx68mm (Prior 2018)	P-1129102	2
	Pin, ϕ 28mm x 70mm [ϕ 1.1" X 2.75"], SS	ML2054047	4
13*	Pin, ϕ 28mmx110mm (Prior 2018)	P-1238277	2
	Pin, ϕ 28mm x 110mm [ϕ 1.1" X 4.3"], SS	2039954	2
14*	Pin, ϕ 28mmx385mm (Prior 2018)	P-2038695	2
	Pin, ϕ 28 X 381mm, [ϕ 1.1 X 15"L], w/Grease Zerk, SS	2044138	2
15	Pin, ϕ 28mmx105mm	P-2003649	2
16	Bolt, Flanged, M8x1.25x16	ES1451	12
17	External Retaining Ring	EQ1661	2
18	Swing Arm Fixture	P-2006380	2
19**	Torsion Spring, Right Side, Standard, Black	ML20-0116-002+B	1
	Torsion Spring, Right Side, Heavy Duty, Gray	20-0113-002	1
20**	Torsion Spring, Left Side Standard, Black	ML20-0116-001+B	1
	Torsion Spring, Left Side Heavy Duty, Gray	20-0113-001	1
23***	Release Valve, 12V, Single Lock	P-67282345	2

* Reference Section 4 for complete pin parts.

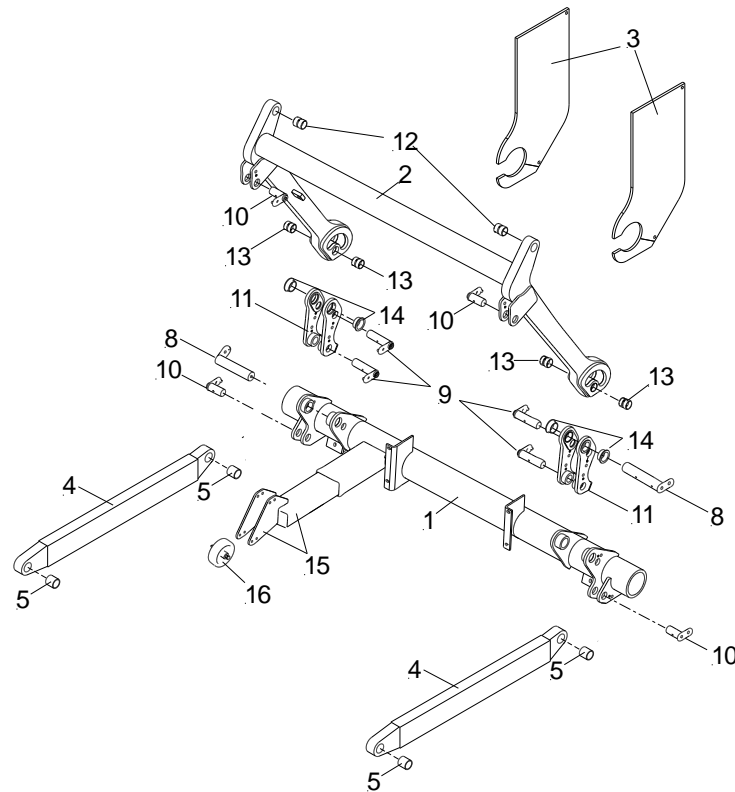
** Mount frame configurations with aluminum platform sizes 42" and 48" do not get a driver side spring. All other configurations get a Standard or Heavy Duty spring on curb side and driver side.

*** Release valve is sold separately and not included with Item #5.

Palfinger Interlift, LLC.
15939 Piuma Ave, Cerritos, CA 90703
Tel: (888) 774-5844, Fax: (562) 924-8318

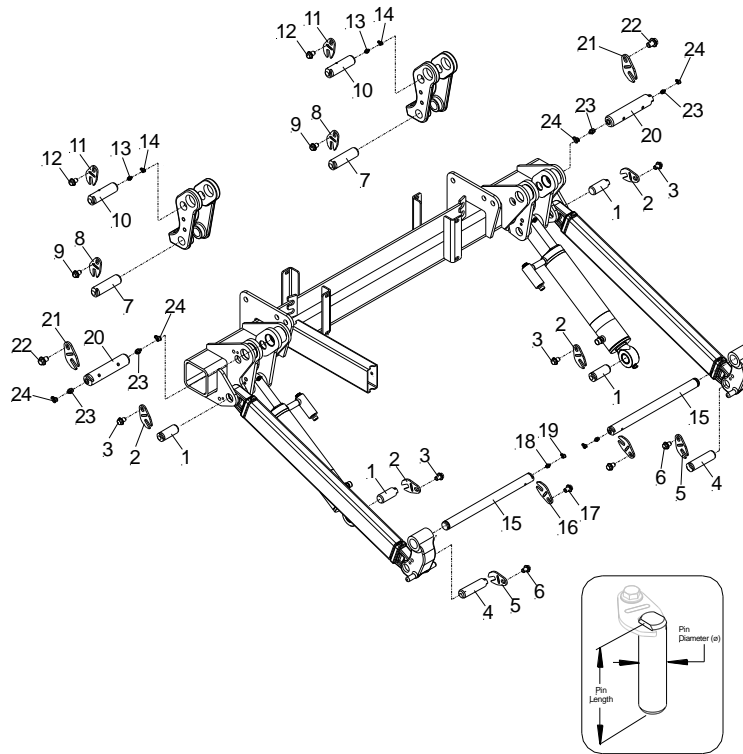
Palfinger Interlift, LLC.
572 Whitehead Road, Trenton, NJ 08619
Tel: (609) 587-4200, Fax: (609) 587-4201

3 Frame (German) Discontinued 2019?



3 - FRAME (GERMAN)			
NO.	DESCRIPTION	PART NO.	QTY.
1	Mount Frame	P-2005794	1
2	Lift Arm Assembly, 800mm	P-2005797	1
	Lift Arm Assembly, 900mm	P-2004717	1
3	Mount Plate, Left/Right	P-1227863	2
4	Parallel Arm, 800mm	P-2005868	2
	Parallel Arm, 900mm	P-2004720	1
5	Bushing, 28x32x31mm	ELG1039	4
6	Cap, Grease Zerk	P-1191680	2
7	Grease Zerk	P-69064337	2
8	Pin, ø36 X 180mm [ø1.4 X 4"L], SS, Grease Zerk	2039958	2
9	Pin, ø28mm x110mm, [ø1.1 X 4.3"L], w/Grease Zerk, SS	2049465	4
10	Pin, ø28mm x 70mm [ø 1.1" X 2.75"], SS	ML2054047	4
11	Swing Arm Fixture	P-2006380	2
12	Bushing, 28x32x36mm	ELG-1036	2
13	Bushing, 28x32x31mm	ELG1039	4
14	Bushing, 36x40x50x17mm	P-1278682	4
15	Wheel Bracket Assy, MBB ILP	P-2021326	1
16	Wheel	P-2003774	1

4 Pins (After 2018)

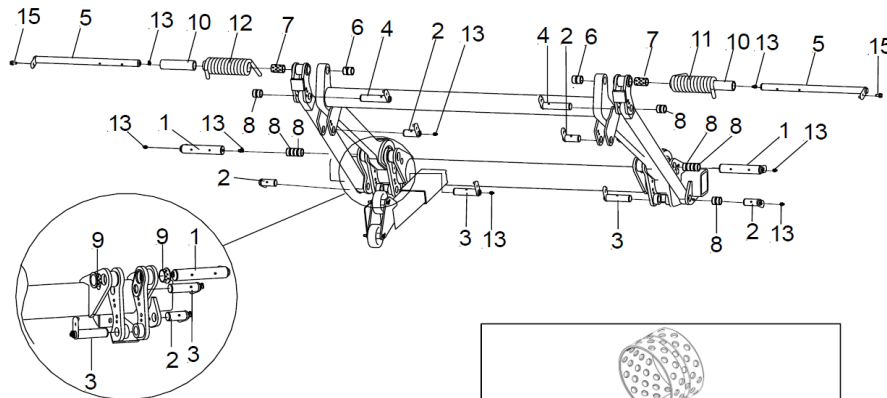


4 - PINS			
NO.	DESCRIPTION	PART NO.	QTY.
1	Pin, ø28mm x 70mm [ø 1.1" X 2.75"], SS	ML2054047	4
2	Pin Plate, Small	2028340	4
3	Bolt, Pin Plate, M12x16mm	2039050	4
4	Pin, ø28 X 100mm, [ø1.1 X 4"L], SS	2039537	2
5	Pin Plate, Small	2028340	2
6	Bolt, Pin Plate, M12x16mm	2039050	2
7	Pin, ø28mm x 110mm [ø1.1 X 4.3"L], SS	2039954	2
8	Pin Plate, Small	2028340	2
9	Bolt, Pin Plate, M12x16mm	2039050	2
10	Pin, ø28mm x110mm, [ø1.1 X 4.3"L], w/Grease Zerk, SS	2049465	2
11	Pin Plate, Small	2028340	2
12	Bolt, Pin Plate, M12x16mm	2039050	2
13	Gease Zerk Fitting, M10x1X15mm	EA-005	2
14	Grease Zerk Cap, Plastic, Red	P-1191680	2
15	Pin, ø28 X 381mm, [ø1.1 X 15"L], w/Grease Zerk, SS	2044138	2
16	Pin Plate, Small	2028340	2
17	Bolt, Pin Plate, M12x16mm	2039050	2
18	Gease Zerk Fitting, M10x1X15mm	EA-005	2
19	Grease Zerk Cap, Plastic, Red	P-1191680	2
20	Pin, ø36 X 180mm [ø1.4 X 4"L], SS	2039958	2
21	Pin Plate, Large	2027558	2
22	Bolt, Pin Plate, M12x16mm	2039050	2
23	Gease Zerk Fitting, M10x1X15mm	EA-005	2
24	Grease Zerk Cap, Plastic, Red	P-1191680	2
25	Pin Kit, SS, Aluminum & Steel Platforms	75-0118-100	1
26	Pin Kit, SS, 42"- 48" Aluminum Platforms Only	75-0118-200	1

Palfinger Interlift, LLC.
 15939 Piuma Ave, Cerritos, CA 90703
 Tel: (888) 774-5844, Fax: (562) 924-8318

Palfinger Interlift, LLC.
 572 Whitehead Road, Trenton, NJ 08619
 Tel: (609) 587-4200, Fax: (609) 587-4201

5 Pins and Bushings (Prior 2018)



mm	Inch	Part No.
28 x 68	1 1/8 x 2 5/8	P-1129102
28 x 110	1 1/8 x 4 1/4	P-1238277
28 x 125	1 1/8 x 4 7/8	P-1227943
28 x 453	1 1/8 x 17 3/4	P-1407655
36 x 180	1 3/8 x 7	P-1238286

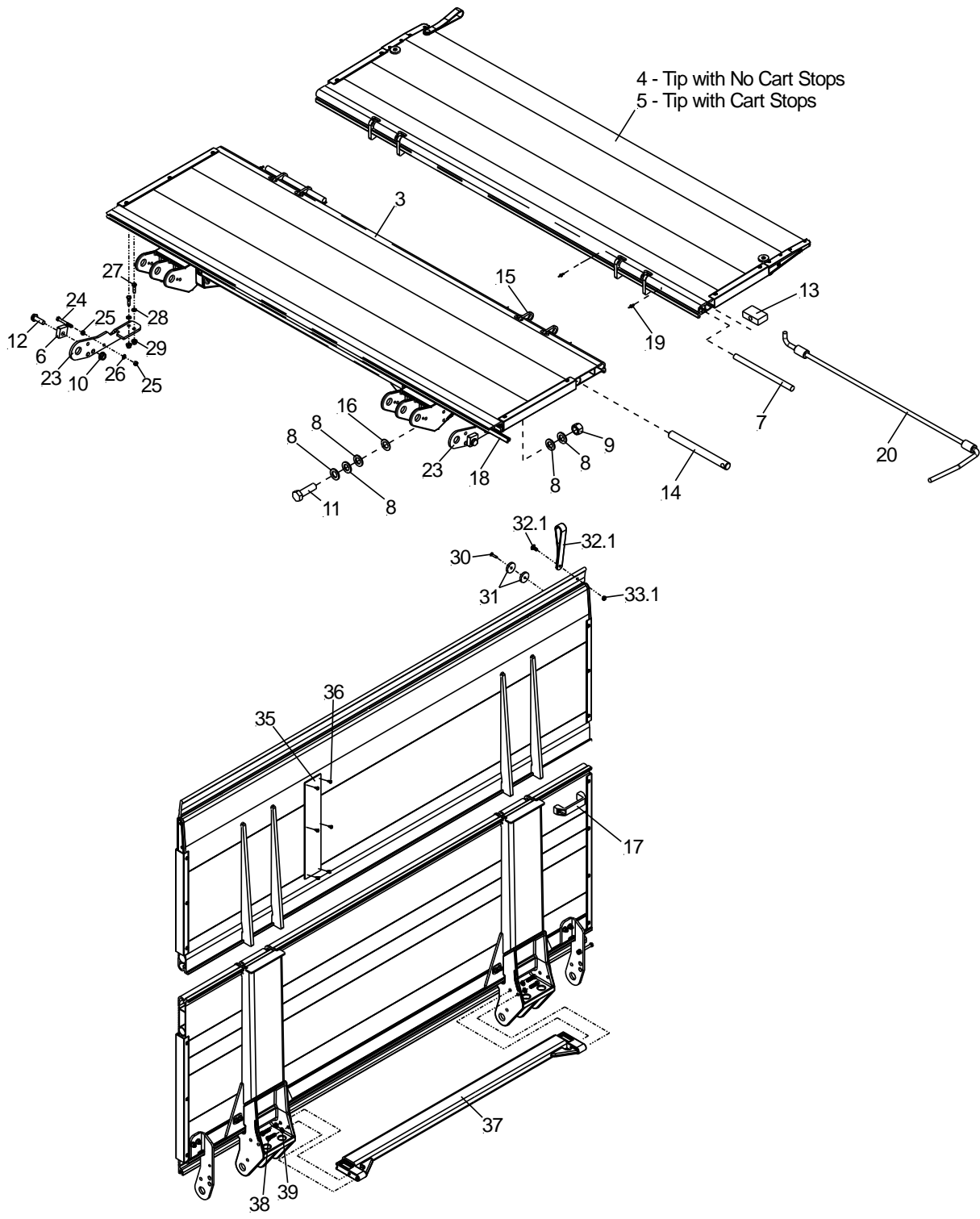
mm	Inch	Part No.
32 / 28 x 31	1 1/4 / 1 1/8 x 1 1/4	P-1403367
32 / 28 x 36	1 1/4 / 1 1/8 x 1 3/8	P-1403364
32 / 28 x 48	1 1/4 / 1 1/8 x 1 7/8	P-2004646

mm	Inch	Part No.
36 / 40 / 50 x 17	1 3/8 / 1 1/2 / 2	x 5/8 P-1278682

5 – PINS AND BUSHINGS			
NO.	DESCRIPTION	PART NO.	QTY.
PINS			
1	Pin, Lift Arm, Swinging Fixture, Tube	P-1238286	2
	Pin, Lift Arm, Swinging Fixture, Tube (After 2018)	P-2039959	2
2	Pin, Parallel Arm, Tube; Lift Cylinder, Lift Arm	P-1129102	4
	Pin, Parallel Arm, Tube; Lift Cylinder, Lift Arm (After 2018)	P-2039540	4
3	Pin, Lift Cylinder, Tube; Tube, Swinging Fixture, Lift Arm	P-1238277	2
	Pin, Lift Cylinder, Tube; Tube, Swinging Fixture, Lift Arm (After 2018)	P-2039955	2
4	Pin, Shackle, Parallel Arm	P-1227943	2
	Pin, Shackle, Parallel Arm (After 2018)	P-2039542	2
5	Pin, Platform, Shackle, Lift Arm	P-1407655	2
	Pin, Platform, Shackle, Lift Arm (After 2018)	P-2044138	2
Bushings			
6	Bushing Lift Arm, Platform	P-1403364	2
7	Bushing - Steel Platform Shackle	P-2004646	2
	Bushing - Alu Plan Platform Shackle	P-1403367	2
8	Bushing Parallel Arm, Lift Arm	P-1403367	8
9	Bushing Swinging Fixture	P-1278682	2
10	Torsion Spring Plastic Tube	P-1228526	2
Hardware			
11	Coil Spring - Curb Side	P-1264848	1
12	Coil Spring - Driver Side	P-1264857	1
13	Grease Zerk	P-2019653	8
14	Red Cap	P-1191680	8
15	Bolt, Pin Lock	P-2009212	2
Kits			
16	Pin Kit Incl. Hardware	P-1407782	1
17	Bushing Kit Without No.10 (Torsion Spring Plastic Tube)	P-1407783	1

NOTES

6 Aluminum Platforms (After 2015)



Palfinger Interlift, LLC.
15939 Piuma Ave, Cerritos, CA 90703
Tel: (888) 774-5844, Fax: (562) 924-8318

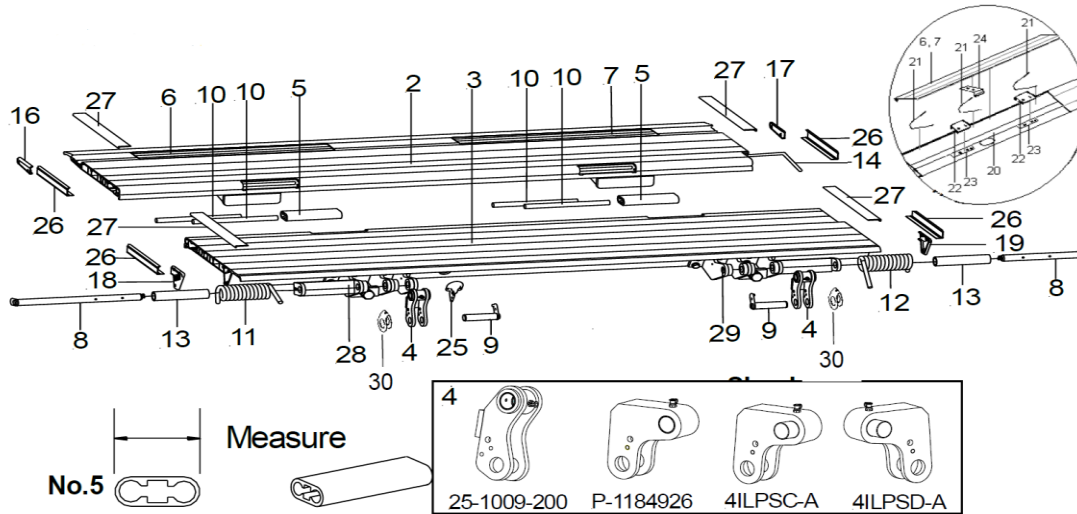
Palfinger Interlift, LLC.
572 Whitehead Road, Trenton, NJ 08619
Tel: (609) 587-4200, Fax: (609) 587-4201

6 - ALUMINUM/ALUMINUM PLATFORM						
NO.	DESCRIPTION	PART NO.				QTY.
		42"	48"	54"	60"	
1	Platform Assy, Alum./Alum., no Cart Stops	20-0315-300*	20-0315-100*	20-0315-400	20-0315-200	1
2	Platform Assy, Alum./Alum., Cart Stops	20-0315-310	20-0315-110	20-0315-410	20-0315-210	1
3	Main Section, Aluminum	21-0314-456	21-0314-243	21-0314-451	21-0314-360	1
4	Tip Section, Aluminum	22-0314-461*	22-0314-000*	22-0314-464	22-0314-467	1
5	Tip Section, w/Cart Stops, Alum.	22-0314-800	22-0314-500	22-0314-700	22-0314-600	1
6	Adjustment, Torsion Spring	60-1007-301	60-1007-301	60-1007-301	60-1007-301	2
7	Pin, ø20x300mm	P-67264894	P-67264894	P-67264894	P-67264894	4
8	Washer, M24, Flat	EK3215	EK3215	EK3215	EK3215	10
9	Nylock, M24x3.0	EM 706	EM 706	EM 706	EM 706	2
10	Nut, Safety, Flanged, M14x1.5, Cl.10.9, Galv	EM 711	EM 711	EM 711	EM 711	2
11	Hex Head Cap Screw, M24x3.0x80mm	ES 693	ES 693	ES 693	ES 693	2
12	Hex Head Cap Screw, Flanged M14x1.5x45 Cl.10.9	ES1588	ES1588	ES1588	ES1588	2
13	Block	P-9083177000	P-9083177000	P-9083177000	P-9083177000	1
14	Pin, ø28mm X 300mm	P-9000000064	P-9000000064	P-9000000064	P-9000000064	1
15	Plate, Platform Hinge	20-1007-101	20-1007-101	20-1007-101	20-1007-101	4
16	Washer, Flat, 1"	EK3575	EK3575	EK3575	EK3575	2
17	Plastic Handle Kit	99-0315-400	99-0315-400	99-0315-400	99-0315-400	1
18	Platform Head Bumper	20-0314-150	20-0314-150	20-0314-150	20-0314-150	1
19	Rivet, 3/16"X0.45"	EK3207	EK3207	EK3207	EK3207	8
20	Torsion Bar	P-9083175070	P-9083175070	P-9083175070	P-9083175070	1
21	Kit; Torsion Bar, Alum Alum Platform	99-0315-211*	99-0315-110*	99-0315-110	99-0315-110	1
23	Gusset, Outside	21-0314-249	21-0314-249	21-0314-249	21-0314-249	2
24	Hex Head Cap Screw, 5/16"-18x2-1/2"; Gr. 5; Zinc	ES3741	ES3741	ES3741	ES3741	1
25	Nut, 5/16"-18, Gr 5, Zinc	EM 791	EM 791	EM 791	EM 791	4
26	Washer, Split Lock, 5/16", Zinc	EK3471	EK3471	EK3471	EK3471	2
27	Hex Head Cap Screw, M8x1.25x30, CL. 8.8, Zinc	ES 013	ES 013	ES 013	ES 013	4
28	Washer, Flat, M8	EK2929	EK2929	EK2929	EK2929	4
29	Locknut, Flange, M8x1.25	EM 775	EM 775	EM 775	EM 775	4
30	FPH SMS #14-10 X 1.25"	ES3826	ES3826	ES3826	ES3826	1
31	Spacer, UHMW, White	20-0316-300	20-0316-300	20-0316-300	20-0316-300	1
32	Handle Strap Kit	60-9011-001	60-9011-001	60-9011-001	60-9011-001	1
32.1	Bolt, Carriage, 5/16"-18 x0.75"	ES3992	ES3992	ES3992	ES3992	1
32.2	Handle Strap, 16.5" L	20-1210-003	20-1210-003	20-1210-003	20-1210-003	1
32.3	Nut, Nylock, Jam, 5/16"-18	EM 850	EM 850	EM 850	EM 850	1
35	Reinforcement Plate (For 42"-48" Platforms)	22-7517-004	22-7517-004	22-7517-004	22-7517-004	1
	Reinforcement Plate (For 54"-60" Platforms)	22-7517-005	22-7517-005	22-7517-005	22-7517-005	1
36	Button Head Cap Screw, #10-16x0.625"	ES3971	ES3971	ES3971	ES3971	6
37	Bridge Assy., Main Platform	21-0314-290	21-0314-290	21-0314-290	21-0314-290	1
38	Hex Head Cap Screw; 3/8"-16 x 1.25"	ES3793	ES3793	ES3793	ES3793	4
39	Washer, Split Lock, 3/8"	EK3238	EK3238	EK3238	EK3238	4

***42" and 48" Platforms with no cart stops do not get a torsion bar.**

Note: Shackles, pins, and springs must be added when buying a new platform.

7 Aluminum Platforms (Prior 2015)



7 – ALUMINUM PLATFORMS (PRIOR TO 2015)			
NO.	DESCRIPTION	PART NO.	QTY.
1	Platform - Alu/Alu Specific Length And Width Size	On Request	1
2	Tip Section Specific Length And Width Size	On Request	1
3	Main Section Specific Length and Width Size	On Request	1
4	Shackle	See Above	2
5	Hinge - Width 2 3/4" (67mm) - 20mm Hole Hinge - Width 3" (77mm) - 20mm Hole	P-1408512 P-1408513	2 2
6	Cart Stop Lid - Curb Side	P-2006698	1
7	Cart Stop Lid - Driver Side	P-2006697	1
8	Pin Platform, Shackle, Lift Arm	P-1407655	2
9	Pin Shackle, Parallel Arm	P-1227943	2
10	Pin Main Section, Tip Section	P-67264894	4
11	Coil Spring - Curb Side	P-1264848	1
12	Coil Spring - Driver Side	P-1264857	1
13	Torsion Spring Plastic Tube	P-1228526	2
14	Torsion Bar	P-9083175070	1
15	Torsion Bar Retainer	P-9000000064	1
16	Plastic Cap Tip - Curb Side - With Cart Stops Plastic Cap Tip - Curb Side - Without Cart Stops	P-9083239000 P-9081336000	1 1
17	Plastic Cap Tip - Driver Side - With Cart Stops Plastic Cap Tip - Driver Side - Without Cart Stops	P-9083238000 P-9081336010	1 1
18	Plastic Cap Head - Curb Side	P-9083229000	1
19	Plastic Cap Head - Driver Side	P-9083230000	1
20	Sliding Rod	P-1406248	1
21	Spring	P-1408661	1
22	Plastic Hold Down Clip	P-2004637	1
23	Plastic Rod Support	P-1406245	1
24	Spring Clip	P-1406249	1
25	Plastic Bracket	P-2019337	1
26	Side Profile Bottom	P-9832521700	1
27	Side Profile Top	P-1244631	1
28	Clevis - Curb Side	P-2005955	1
29	Clevis - Driver Side	P-2005954	1
30	Retainer, Spring Arm for 28mm Pin	60-1012-001	1

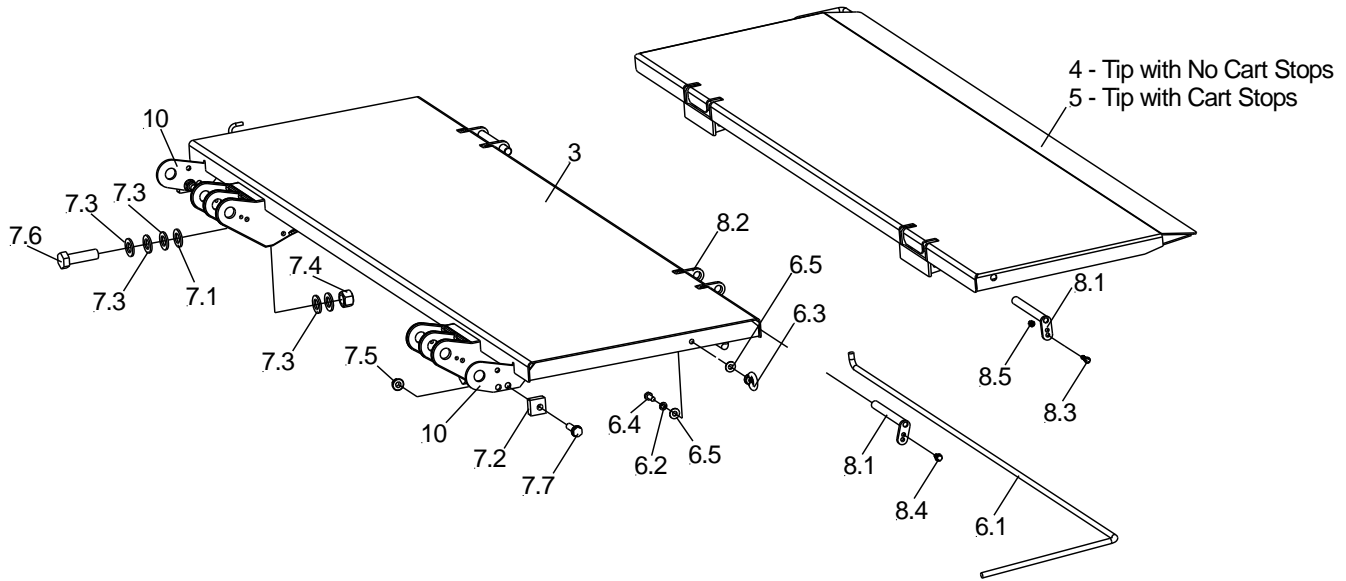
Note: Shackles, pins, and springs must be added when buying a new platform.

Palfinger Interlift, LLC.
15939 Piuma Ave, Cerritos, CA 90703
Tel: (888) 774-5844, Fax: (562) 924-8318

Palfinger Interlift, LLC.
572 Whitehead Road, Trenton, NJ 08619
Tel: (609) 587-4200, Fax: (609) 587-4201

NOTES

8 Steel Platforms (After 2015)



8 - STEEL/STEEL PLATFORM						
NO.	DESCRIPTION	PART NO.				QTY.
		42"	48"	54"	60"	
1	Platform Assy, Steel Main /Steel Tip Platform, Black	20-0315-340+B*	20-0315-140+B	20-0315-440+B	20-0315-240+B	1
	Platform Assy, Steel Main /Steel Tip Platform, Galv	20-0315-340+G*	20-0315-140+G	20-0315-440+G	20-0315-240+G	
2	Steel Main/Steel Tip Platform, W/Cart Stops, Black	20-0315-350+B	20-0315-150+B	20-0315-450+B	20-0315-250+B	1
	Steel Main/Steel Tip Platform, W/Cart Stops, Galv	20-0315-350+G	20-0315-150+G	20-0315-450+G	20-0315-250+G	
3	Main Section, Steel, Black	21-0314-400+B	21-0314-000+B	21-0314-270+B	21-0314-300+B	1
	Main Section, Steel, Galvanized	21-0314-400+G	21-0314-000+G	21-0314-270+G	21-0314-300+G	
4	Tip Section, Steel, Black	22-0316-500+B	22-0316-300+B	22-0316-600+B	22-0316-400+B	1
	Tip Section, Steel, Galvanized	22-0316-500+G	22-0316-300+G	22-0316-600+G	22-0316-400+G	
5	Tip Section, Steel, w/Cart Stops, Black	22-0316-501+B*	22-0316-301+B	22-0316-601+B	22-0316-401+B	1
	Tip Section, Steel, w/Cart Stops, Galvanized	22-0316-501+G*	22-0316-301+G	22-0316-601+G	22-0316-401+G	
6	Kit; Torsion Bar, Stl Stl Platform	99-0315-310*	99-0315-310	99-0315-310	99-0315-315	1
6.1	Torsion Bar, ø12mm X 63mm	99-7517-010	99-7517-010	99-7517-010	99-7517-010	1
6.2	Washer, Split Lock, M10	EK2740	EK2740	EK2740	EK2740	1
6.3	Nut, Ring, M10	EM712	EM712	EM712	EM712	1
6.4	M10x1.5x25mm Hex Head Cap Screw	ES3462	ES3462	ES3462	ES3462	1
6.5	Washer, Flat, 3/8" USS, Zinc	EK3216	EK3216	EK3216	EK3216	2
7	Kit; Hardware Stl-Stl Platform	99-0315-330	99-0315-330	99-0315-330	99-0315-330	1
7.1	Washer, Flat, 1"	EK3575	EK3575	EK3575	EK3575	2
7.2	Adjustment Torsion Spring	60-1007-301	60-1007-301	60-1007-301	60-1007-301	2
7.3	Washer, M24, Zinc	EK3215	EK3215	EK3215	EK3215	10
7.4	Nylock, M24x3.0	EM 706	EM 706	EM 706	EM 706	2
7.5	Nut, Safety, Flanged M14x1.5, Cl. 10.9 Galv	EM-711	EM-711	EM-711	EM-711	2
7.6	Hex Head Cap Screw, M24x3.0x80mm	ES 693	ES 693	ES 693	ES 693	2
7.7	Hex Head Cap Screw, Flanged M14x1.5x45	ES1588	ES1588	ES1588	ES1588	2
8	Kit, Pin, Stl-Stl Platform	99-0315-320	99-0315-320	99-0315-320	99-0315-320	1
8.1	Pin, ø3/4"X7.25"	21-0314-093	21-0314-093	21-0314-093	21-0314-093	4

Palfinger Interlift, LLC.
 15939 Piuma Ave, Cerritos, CA 90703
 Tel: (888) 774-5844, Fax: (562) 924-8318

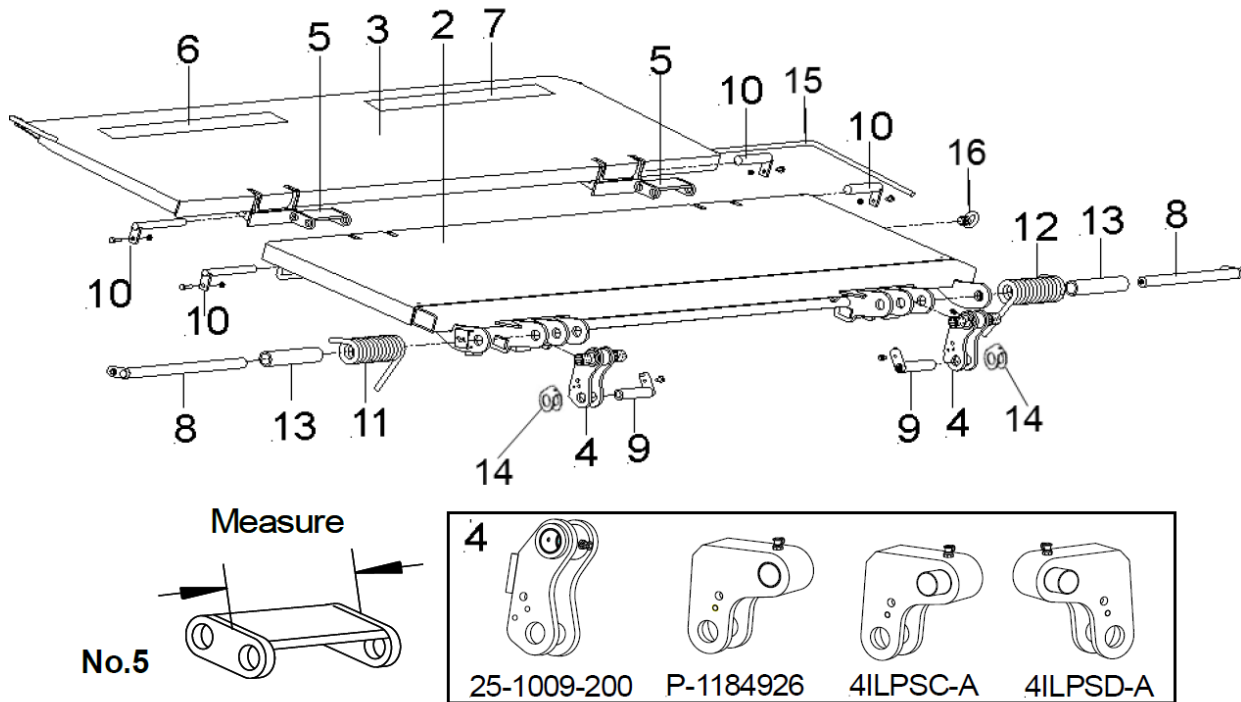
Palfinger Interlift, LLC.
 572 Whitehead Road, Trenton, NJ 08619
 Tel: (609) 587-4200, Fax: (609) 587-4201

8.2	Plate, Platform Hinge	20-1007-101	20-1007-101	20-1007-101	20-1007-101	4
8.3	Hex Head Cap Screw;5/16-18x1"	ES3724	ES3724	ES3724	ES3724	2
8.4	Bolt, Thread-Rolling, 5/16"-18x0.75"	ES3746	ES3746	ES3746	ES3746	2
8.5	Nut, Nylock, 5/16"-18	EM 710	EM 710	EM 710	EM 710	2
10	Plate Pin Alignment	21-0314-010	21-0314-010	21-0314-010	21-0314-010	1

***42" Platforms with no cart stops do not get a torsion bar.**

Note: Shackles, pins, and springs must be added when buying a new platform.

9 **Steel Platforms (Prior to 2015)**

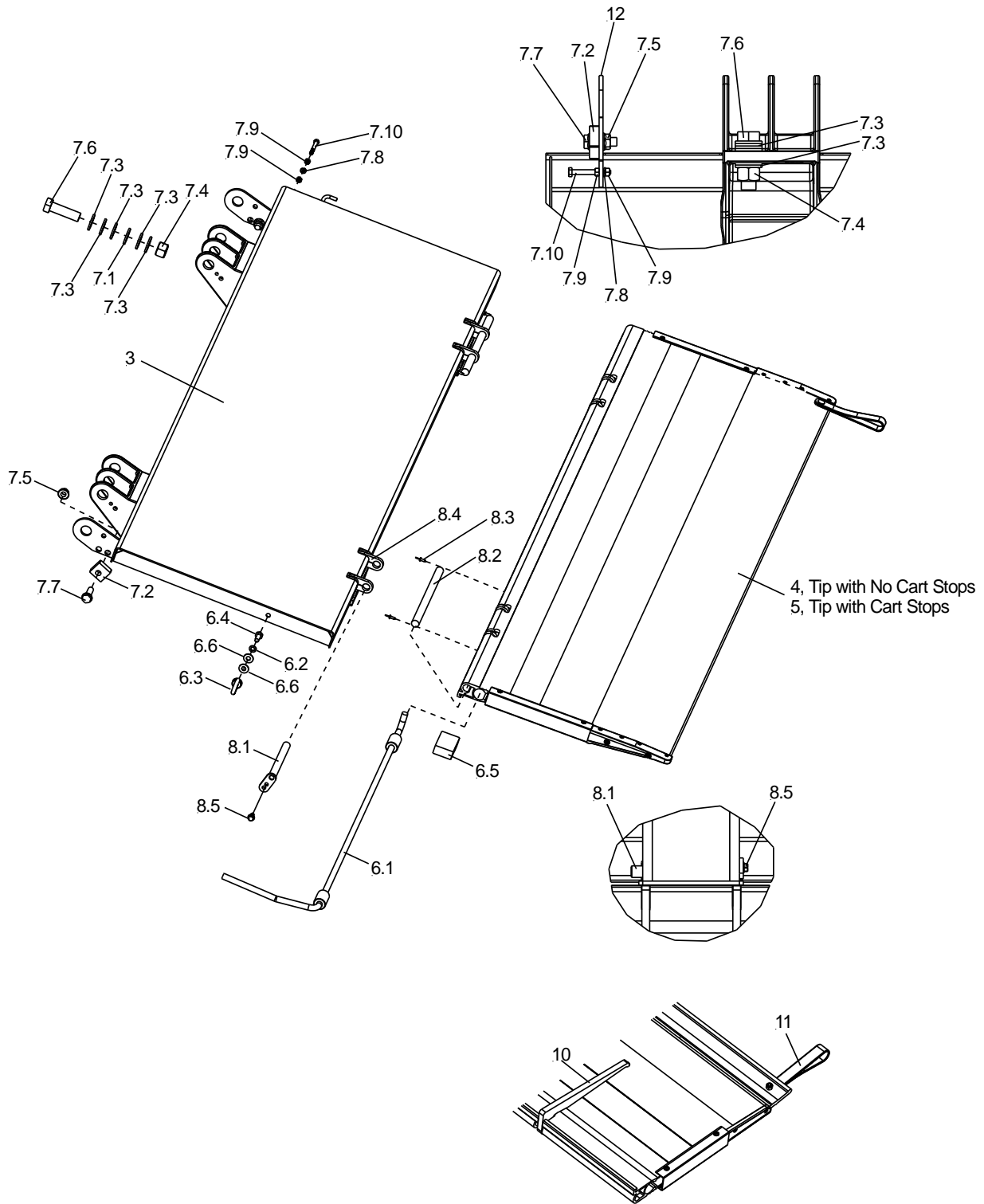


9 – STEEL PLATFORMS (PRIOR TO 2015)			
NO.	DESCRIPTION	PART NO.	QTY.
1	Platform - Steel/Steel Specific Length And Width Size	ON REQUEST	1
2	Main Section Specific Length And Width Size	ON REQUEST	1
3	Tip Section Specific Length and Width Size	ON REQUEST	1
4	Shackle	SEE ABOVE	1
5	Hinge - Width 5 3/8" (137mm)	4ILPH-A	2
6	Cart Stop - Curb Side	1-00005L	1
7	Cart Stop - Driver Side	1-00005R	1
8	Pin Platform, Shackle, Lift Arm	P-1407655	2
9	Pin Shackle, Parallel Arm	P-1227943	2
10	Pin Main Section, Tip Section	4ILPP-A	4
11	Coil Spring - Curb Side	P-1264848	1
12	Coil Spring - Driver Side	P-1264857	1
13	Torsion Spring Plastic Tube	P-1228526	2
14	Retainer, Spring Arm for 28mm Pin	60-1012-001	2
15	Torsion Bar - For 48" Platform (63" Length)	P-1409441	1
	Torsion Bar - For 54" Platform (63" Length)	P-1409441	1
	Torsion Bar - For 60" Platform (48" Length)	2-76001	1
16	Torsion Bar Retainer / Eynut	P-2004522	1

Note: Shackles, pins, and springs must be added when buying a new platform.

NOTES

10 Steel/Aluminum Platforms (After 2015)

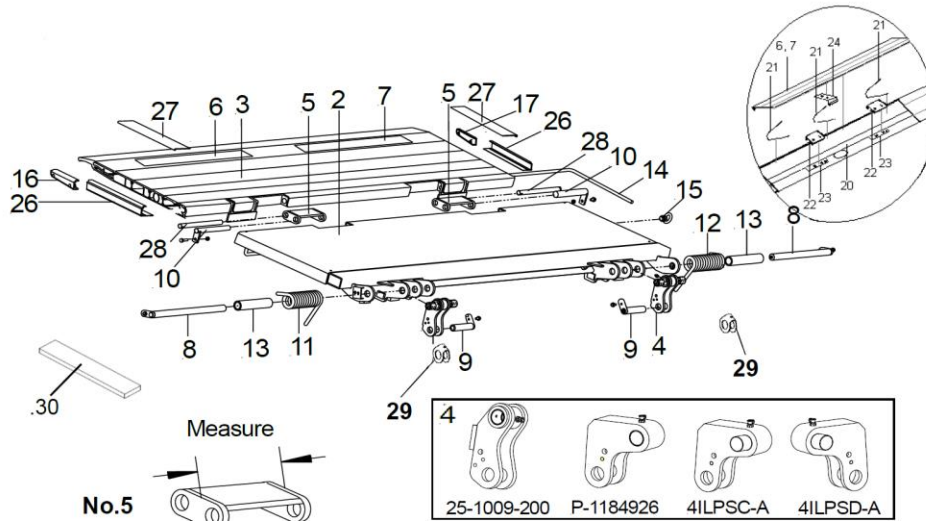


10 - STEEL/ALUMINUM PLATFORM						
NO.	DESCRIPTION	PART NO.				QTY
		42"	48"	54"	60"	
1	Platform Assy, Steel Main/Alum Tip, no Cart Stops	20-0315-320*	20-0315-120*	20-0315-420	20-0315-220	1
2	Platform Assy, Steel Main/Alum Tip, Cart Stops	20-0315-330	20-0315-130	20-0315-430	20-0315-230	1
3	Main Section, Steel	21-0314-400	21-0314-000	21-0314-270	21-0314-300	1
4	Tip Section, Alum. (No Cart Stop)	22-0314-461*	22-0314-000*	22-0314-464	22-0314-467	1
5	Tip Section, Alum. W/Cart Stops	22-0314-800	22-0314-500	22-0314-700	22-0314-600	1
6	Kit, Torsion Bar, Steel/Alum. Platform	99-0315-211*	99-0315-210*	99-0315-210	99-0315-210	1
6.1	Torsion Bar	P-9083175070	P-9083175070	P-9083175070	P-9083175070	1
6.2	Washer, Split Lock, M10	EK2740	EK2740	EK2740	EK2740	1
6.3	Ring Nut , M10	EM 712	EM 712	EM 712	EM 712	1
6.4	Hex Head Cap Screw, M10x1.5x25mm	ES3462	ES3462	ES3462	ES3462	1
6.5	Block	P-9083177000	P-9083177000	P-9083177000	P-9083177000	1
6.6	Washer, Flat, 3/8", USS, Zinc	EK3216	EK3216	EK3216	EK3216	21
7	Kit, Hardware Steel/Alum Platform	99-0315-230	99-0315-230	99-0315-230	99-0315-230	1
7.1	Washer, Flat, 1"	EK3575	EK3575	EK3575	EK3575	2
7.2	Torsion Spring, Adjustment	60-1007-301	60-1007-301	60-1007-301	60-1007-301	2
7.3	Washer, M24, Zinc	EK3215	EK3215	EK3215	EK3215	10
7.4	Nylock, M24x3.0	EM 706	EM 706	EM 706	EM 706	2
7.5	Nut, Safety, Flanged, M14x1.5, Cl.10.9, Galv	EM-711	EM-711	EM-711	EM-711	2
7.6	Hex Head Cap Screw, M24x3.0x80mm	ES 693	ES 693	ES 693	ES 693	2
7.7	Hex Head Cap Screw, Flanged, M14x1.5x45	ES1588	ES1588	ES1588	ES1588	2
7.8	Washer, Split Lock	EK3471	EK3471	EK3471	EK3471	1
7.9	Nut, 5/16"-18, Gr 5 Zinc	EM 791	EM 791	EM 791	EM 791	2
7.10	Hex Head Cap Screw 5/16"-18x2-1/2"	ES3741	ES3741	ES3741	ES3741	1
8	Kit, Pin, Steel/Alum Platform	99-0315-220	99-0315-220	99-0315-220	99-0315-220	1
8.1	Pin, \varnothing 3/4"X7.25"	21-0314-093	21-0314-093	21-0314-093	21-0314-093	2
8.2	Pin, \varnothing 20mm X 300mm	P-67264894	P-67264894	P-67264894	P-67264894	2
8.3	Rivet, 3/16"X0.45"	EK3207	EK3207	EK3207	EK3207	4
8.4	Plate, Platform Hinge	20-1007-101	20-1007-101	20-1007-101	20-1007-101	4
8.5	Thread-Rolling Bolt , 5/16"-18x0.75"	ES3746	ES3746	ES3746	ES3746	2
10	Platform Stiffener	22-0314-462	22-0314-462	22-0314-462	22-0314-462	4
11	Handle Strap	20-1210-003	20-1210-003	20-1210-003	20-1210-003	1
12	Plate, Pin Alignment	21-0314-010	21-0314-010	21-0314-010	21-0314-010	2

***42" and 48" Platforms with no cart stops do not get a torsion bar.**

Note: Shackles, pins, and springs must be added when buying a new platform.

11 Steel/Aluminum Platforms (Prior 2015)



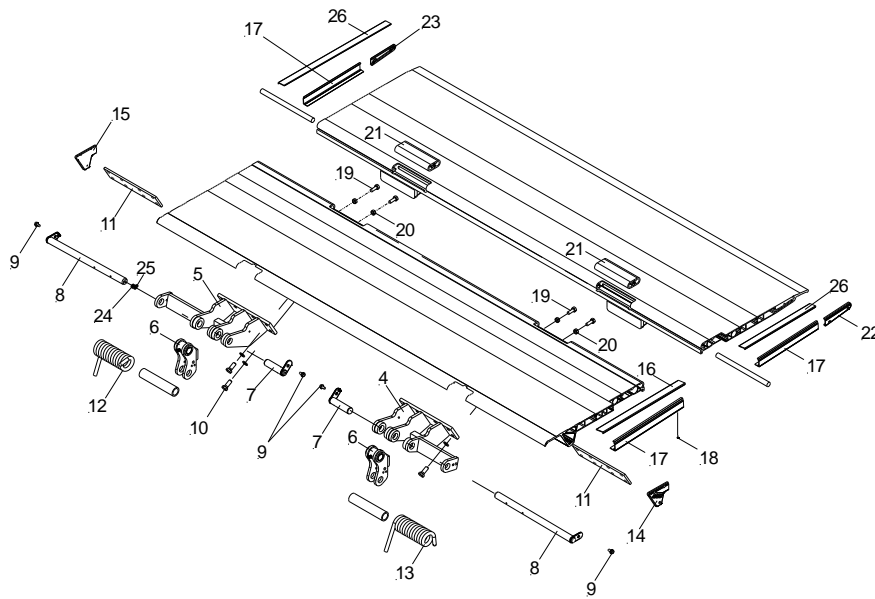
11 – STEEL PLATFORMS (PRIOR TO 2015)			
NO.	DESCRIPTION	PART NO.	QTY.
1	Platform - steel/alu specific length and width size	on request	1
2	Main section specific length and width size	on request	1
3	Tip section specific length and width size	on request	1
4	Shackle	see above	2
5	Hinge - width 5 3/8" (137mm)	4ILPH-A	1
6	Cart stop lid - curb side	P-2006698	1
7	Cart stop lid - driver side	P-2006697	1
8	Pin platform, shackle, lift arm	P-1407655	2
9	Pin shackle, parallel arm	P-1227943	2
10	Pin main section, hinge	4ILPP-A	1
11	Coil spring - curb side	P-1264848	1
12	Coil spring - driver side	P-1264857	1
13	Torsion spring plastic tube	P-1228526	2
14	Torsion bar - for 48" platform	P-9083175070	1
14	Torsion bar - for 60" platform	P-9083175090	1
15	Torsion bar retainer / eyenut	P-2004522	1
16	Plastic cap tip - curb side - with cart stops	P-9083239000	1
16	Plastic cap tip - curb side - without cart stops	P-9081336000	1
17	Plastic cap tip - driver side - with cart stops	P-9083238000	1
17	Plastic cap tip - driver side - without cart stops	P-9081336010	1
20	Sliding rod	P-1406248	1
21	Spring	P-1408661	1
22	Plastic hold down clip	P-1406247	1
23	Plastic rod support	P-1406245	1
24	Spring clip	P-1406249	1
26	Side profile bottom	P-9832521700	1
27	Side profile top	P-1244631	1
28	Pin, tip section, hinge	P-67264894	1
29	Retainer, spring arm for 28mm pin	60-1012-001	1
30	Flat bar, for steel main, weld on	21-0114-000	1

Note: Shackles, pins, and springs must be added when buying a new platform.

Palfinger Interlift, LLC.
 15939 Piuma Ave, Cerritos, CA 90703
 Tel: (888) 774-5844, Fax: (562) 924-8318

Palfinger Interlift, LLC.
 572 Whitehead Road, Trenton, NJ 08619
 Tel: (609) 587-4200, Fax: (609) 587-4201

12 Aluminum Platform (German) – Discontinued



12 –ALUMINUM PLATFORM (GERMAN)			
NO.	DESCRIPTION	PART NO.	QTY.
1	Platform, ILP/ILFS, 48x80	4PFS3348	1
2	Platform, 48x80 Alum, No Cart Stops	4PFS3348-A	1
3	Platform, 48x80 Alum, Cart Stops	4PFS3348-A-W/CS	1
4	Clevis, Left	P-2005955	1
5	Clevis, Right	P-2005954	1
6	Shackle, Left/Right	P-2005138	2
7	Pin, 28mm x 115mm	P-1227943	2
8	Pin, 28mm x 453mm	P-1407655	2
9	Bolt, Retaining	P-2009212	4
10	Bolt, Hex, M14X35	P-1355371	16
11	Plate, Clevis, Threaded	P-1355233	2
12	Spring, Right	P-1264848	1
13	Spring, Left	P-1264857	1
14	Cap, Main, Left	P-9083229000	1
15	Cap, Main, Right	P-9083230000	1
16	Profile, Top (Length Required)	P-1244631	2
17	Profile, Side Cover (Length Required)	P-9832521190	2
18	Screw, Countersink, M5x12mm	P-2004486	18
19	Bolt, M16X50mm, ST8.8	P-66130240	4
20	Nut, M16	P-1026311	4
21	Hinge	P-67264894	4
22	Cap, Tip, Left	P-9083238000	1
23	Cap, Tip, Right	P-9083239000	1
24	Grease Zerk	P-69064337	2
25	Cap, Grease Zerk	P-1191680	2
26	Profile, Top, L=1760mm [69.3"]	P-1244631	2
	Profile, Top, L=2485mm [97.8"]	P-1244640	2

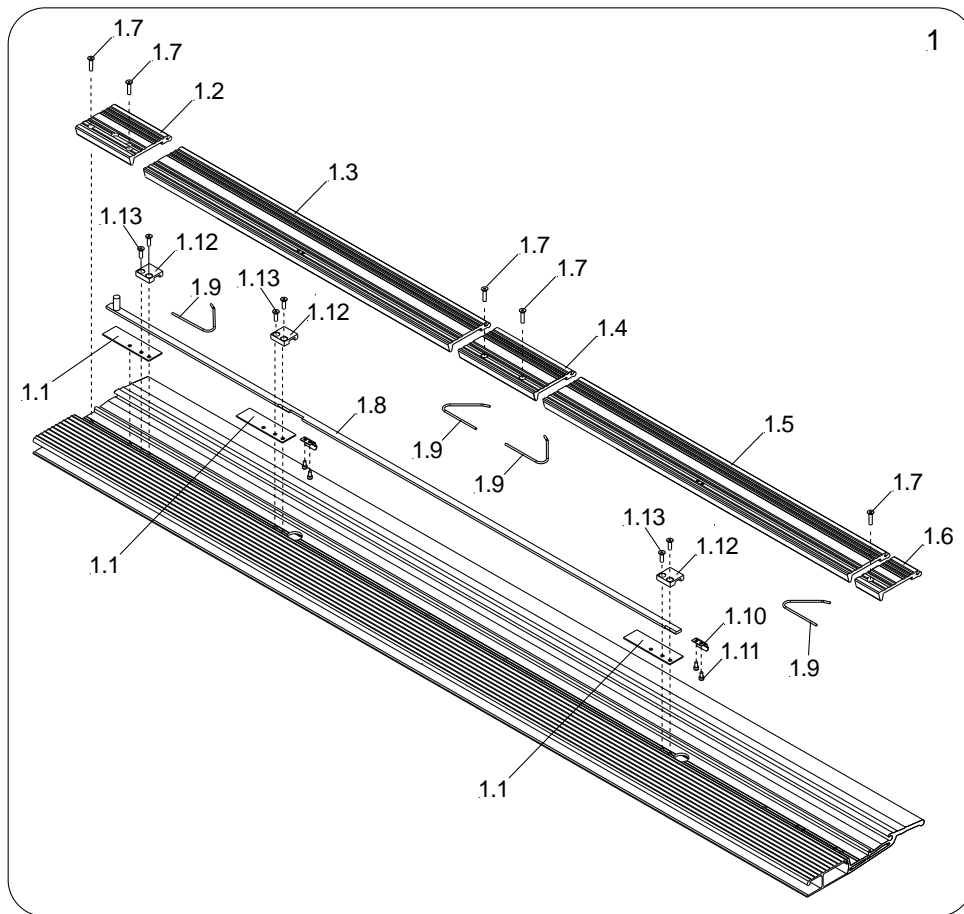
Note: Shackles, pins, and springs must be added when buying a new platform.

Palfinger Interlift, LLC.
 15939 Piuma Ave, Cerritos, CA 90703
 Tel: (888) 774-5844, Fax: (562) 924-8318

Palfinger Interlift, LLC.
 572 Whitehead Road, Trenton, NJ 08619
 Tel: (609) 587-4200, Fax: (609) 587-4201

13 Cart Stops

13.1 Aluminum Platforms

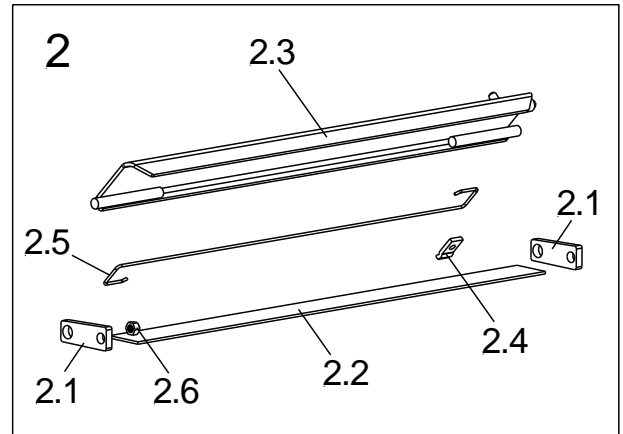
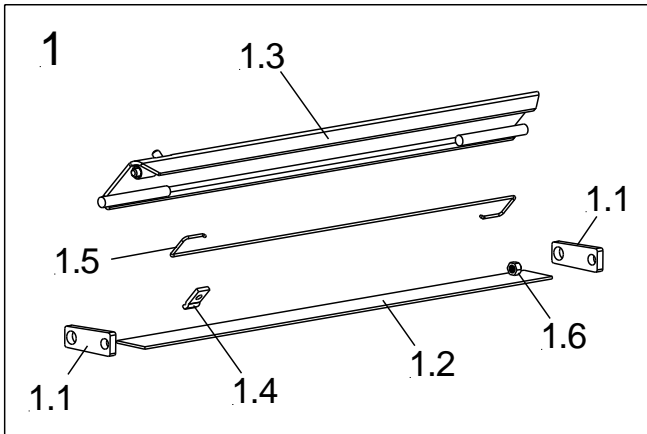


13.1 – CART STOPS ALUMINUM PLATFORMS						
NO.	DESCRIPTION	PART NO.				QTY.
		42"	48"	54"	60"	
1	Assembly, 2X 800MM Cart Stop, 12" X 79"	22-0314-018	22-0314-018	22-0314-018	22-0314-018	1
1.1	Pad, Delrin, 35MM X 120MM X 2MM	P-1406245	P-1406245	P-1406245	P-1406245	3
1.2	Plate Cover, Curb Side	P-2003301	P-2003301	P-2003301	P-2003301	1
1.3	Cart Stop, 800mm, Curb Side	P-2006698	P-2006698	P-2006698	P-2006698	1
1.4	Plate Cover, Center	P-2003302	P-2003302	P-2003302	P-2003302	1
1.5	Cart Stop, 800mm, Street Side	P-2006697	P-2006697	P-2006697	P-2006697	1
1.6	Plate Cover, Street Side	P-2003303	P-2003303	P-2003303	P-2003303	1
1.7	Socket Head Cap Screw, M6-1.0 X 30mm	P-1057441	P-1057441	P-1057441	P-1057441	5
1.8	Sliding Rail	P-1406248	P-1406248	P-1406248	P-1406248	1
1.9	Spring Rod	P-1408661	P-1408661	P-1408661	P-1408661	4
1.10	Clip	P-1406249	P-1406249	P-1406249	P-1406249	2
1.11	Socket Head Cap Screw, M5-0.80 X 8mm	P-1119357	P-1119357	P-1119357	P-1119357	4
1.12	C-Clip, Plastic	P-2004637	P-2004637	P-2004637	P-2004637	1
1.13	Socket Head Cap Screw, M6-1.0 X 20mm	P-1004726	P-1004726	P-1004726	P-1004726	6

Palfinger Interlift, LLC.
 15939 Piuma Ave, Cerritos, CA 90703
 Tel: (888) 774-5844, Fax: (562) 924-8318

Palfinger Interlift, LLC.
 572 Whitehead Road, Trenton, NJ 08619
 Tel: (609) 587-4200, Fax: (609) 587-4201

13.2 Steel Platforms



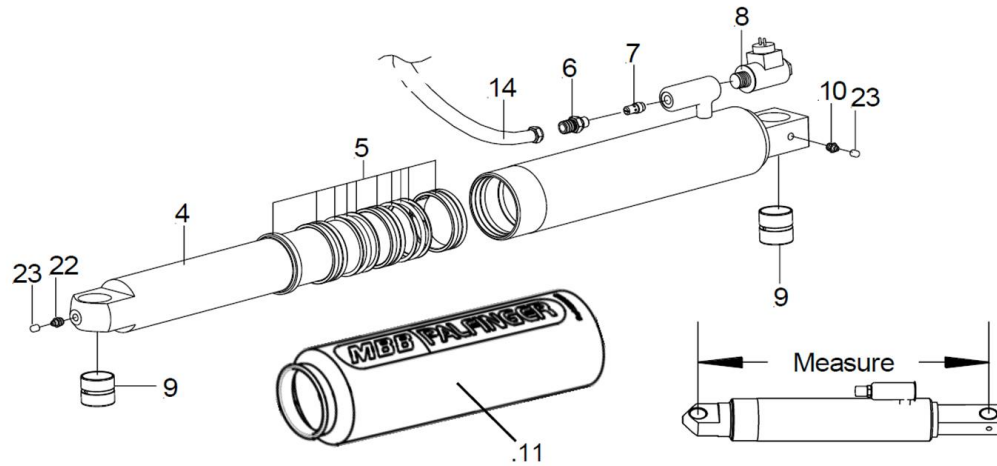
13.2 - CART STOPS – STEEL PLATFORM

NO.	DESCRIPTION	PART NO.				QTY.
		42"	48"	54"	60"	
1	Assembly, Cart Stop, Left Side, 27", Black	20-0316-000+B	20-0316-000+B	20-0316-000+B	20-0316-000+B	1
	Assembly, Cart Stop, Left Side, 27", Galvanized	20-0316-000+G	20-0316-000+G	20-0316-000+G	20-0316-000+G	1
1.1	Side Plate	20-0316-001	20-0316-001	20-0316-001	20-0316-001	2
1.2	Support Plate	20-0316-002	20-0316-002	20-0316-002	20-0316-002	1
1.3	Cart Stop Weldment, Left Side	20-0316-100	20-0316-100	20-0316-100	20-0316-100	1
1.4	Tab, Spring Retention	20-1108-541	20-1108-541	20-1108-541	20-1108-541	1
1.5	Spring, Torsion	20-1108-542	20-1108-542	20-1108-542	20-1108-542	1
1.6	Nut, 3/8"-16, Gr. 5	EM 532	EM 532	EM 532	EM 532	1
2	Assembly, Cart Stop, Right Side, 27", Black	20-0316-050+B	20-0316-050+B	20-0316-050+B	20-0316-050+B	1
	Assembly, Cart Stop, Right Side, 27", Galvanized	20-0316-050+G	20-0316-050+G	20-0316-050+G	20-0316-050+G	1
2.1	Side Plate	20-0316-001	20-0316-001	20-0316-001	20-0316-001	2
2.2	Support Plate	20-0316-002	20-0316-002	20-0316-002	20-0316-002	1
2.3	Cart Stop Weldment, Curb Side	20-0316-150	20-0316-150	20-0316-150	20-0316-150	1
2.4	Tab, Spring Retention	20-1108-541	20-1108-541	20-1108-541	20-1108-541	1
2.5	Spring, Torsion	20-1108-542	20-1108-542	20-1108-542	20-1108-542	1
2.6	Nut, 3/8"-16, Gr. 5	EM 532	EM 532	EM 532	EM 532	2

Palfinger Interlift, LLC.
 15939 Piuma Ave, Cerritos, CA 90703
 Tel: (888) 774-5844, Fax: (562) 924-8318

Palfinger Interlift, LLC.
 572 Whitehead Road, Trenton, NJ 08619
 Tel: (609) 587-4200, Fax: (609) 587-4201

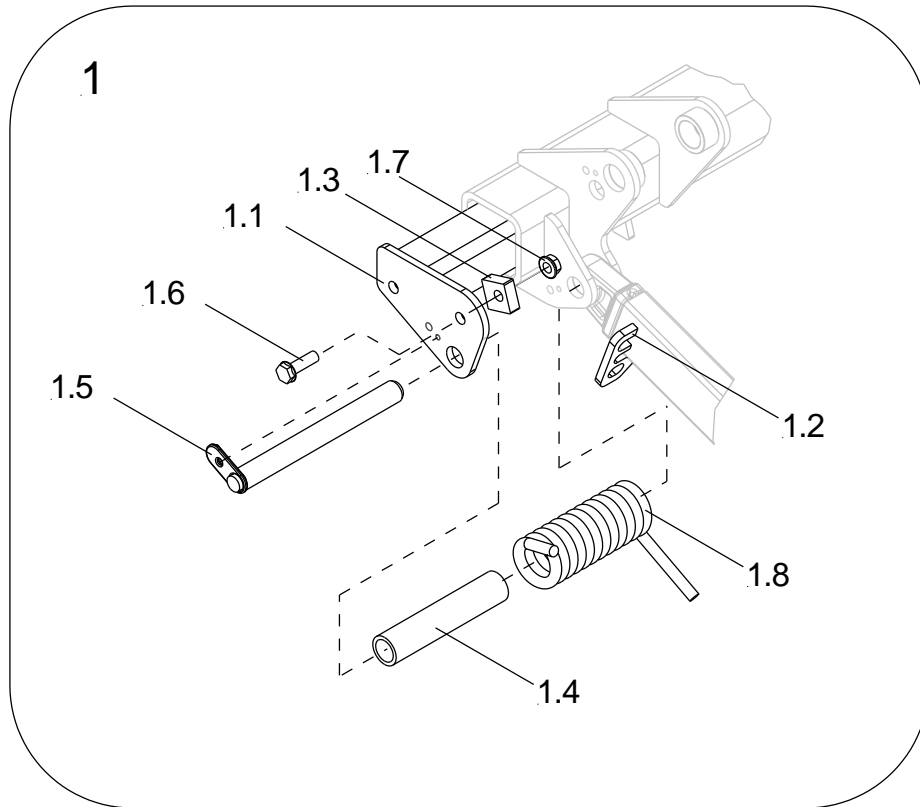
14 Lift Cylinder – (Discontinued 2013)



14 – CYLINDER			
NO.	DESCRIPTION	PART NO.	QTY.
	Piston Rod Diameter – Lift Cylinder	63mm (2.5")	
	Compressed Length – Lift Cylinder	509mm (20")	
1	Lift Cylinder, <i>Without Release Valve</i> 63.28.509	P-2037627	1
4	Piston Rod	P-1400645	1
5	Rebuild Kit	P-1407784	1
6	Adaptor / Hose Fitting	P-1188263	1
7	Restrictor No.2	P-1365484	1
8*	Release Valve	P-67282345	1
9	Bushing	P-1403367	2
10	Grease Zerk	P-2019653	1
11	Sleeve	P-1097838	1
12	Clamp	P-68430828	1
14	Hydraulic Hose	P-2021337	1
22	Grease Zerk	P-2019653	1
23	Red Cap	P-1191680	2

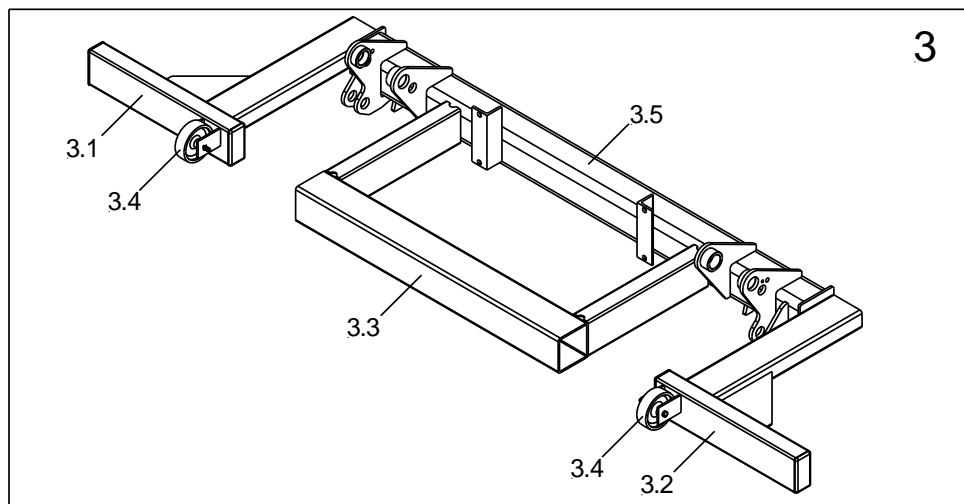
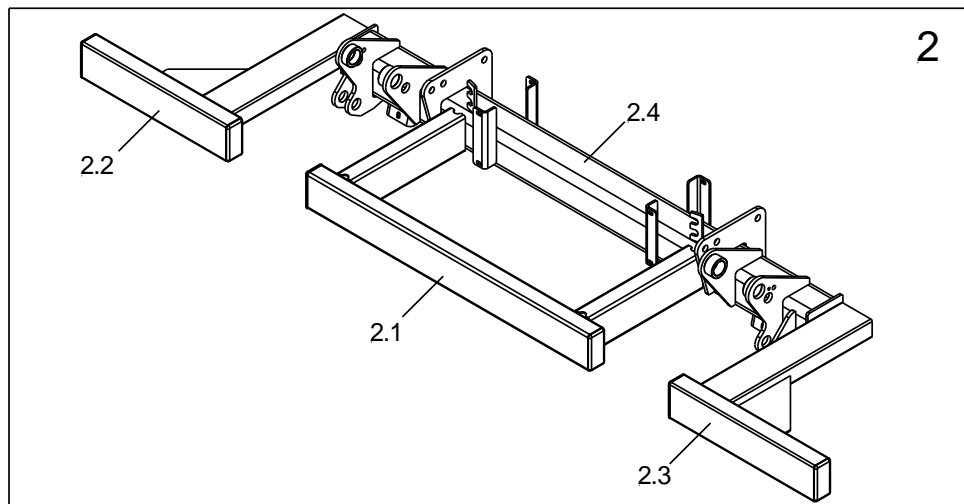
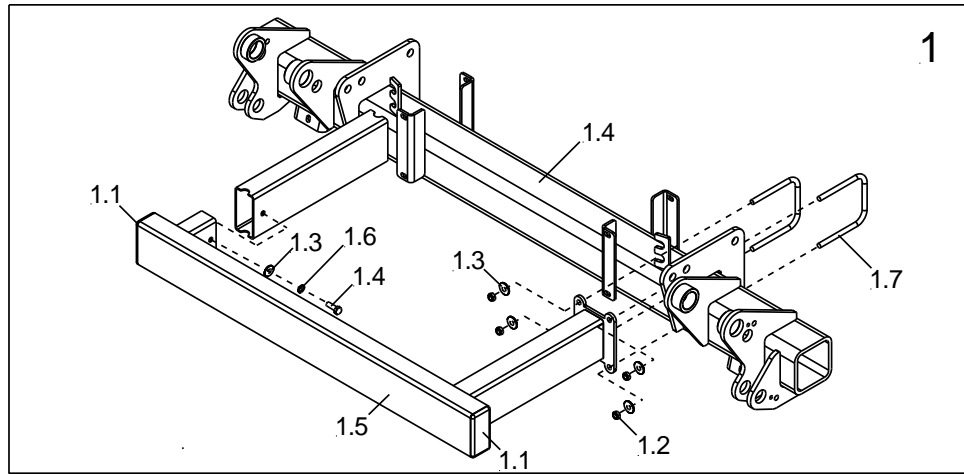
***Item #8 is sold separately and not included with Item #1.**

15 Mechanical Power Down



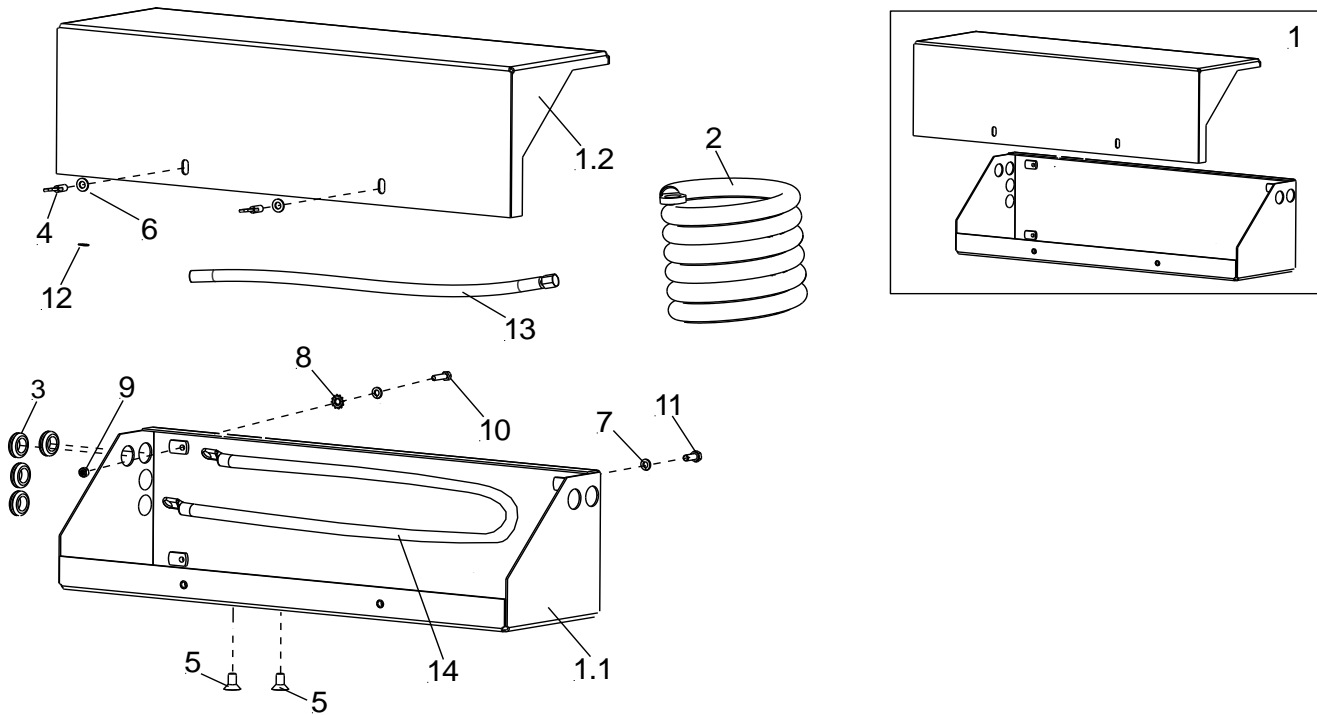
15 – MECHANICAL POWER DOWN			
NO.	DESCRIPTION	PART NO.	QTY.
1	Kit Mechanical Power Down	01-0116-100	1
1.1	Bracket, Mechanical Power Down	01-0116-000	1
1.2	Bracket, Torsion Spring	15-0116-001	1
1.3	Block, Torsion Spring Adjust	60-1007-301	1
1.4	Insert, Delrin Spring, 40mm X 50mm X 192mm	P-1228526	1
1.5	Pin, ø28x365mm (Modified from P-2038695)	45-0116-000	1
1.6	Bolt, M14-1.5mm X 45mm, DIN6921	ES1588	1
1.7	Nut, M14-1.5mm, DIN6927	EM 711	1
1.8	Spring, Torsion, Driver Side	20-0016-002	1

16 Bumpers



16 – HYDRAULIC PUMP BOX			
NO.	DESCRIPTION	PART NO.	QTY.
1	Center Bumper Kit, Bolt-On	01-0118-200	1
1.1	Cap, 2" x 4"	60-1007-401	2
1.2	Nut, Nylock, 3/8-16, Gr.5, Zinc	EM-708	4
1.3	Washer, Flat, 3/8", USS, Zinc	EK3216	5
1.4	Hex Head Cap Screw, 3/8-16x1", Gr5, Zinc	ES3446	1
1.5	Center Bumper, Weldment	01-0118-201	1
1.6	Washer, Splitlock, 3/8"	EK3238	1
1.7	U-Bolt; 3/8-16x4"x4.75"	ES4154	2
2	3-Piece Bumper Kit, Weld-On	01-0117-000	1
2.1	Bumper, Weldment, Center	01-0114-350	1
2.2	Bumper, Weldment, Left Side	01-0117-002	1
2.3	Bumper, Weldment, Right Side	01-0117-003	1
2.4	Mount Frame, Weldment	01-0118-300	1
2.5	Cap, 2" x 4"	60-1007-401	6
3	DOT (Department of Transportation) Bumper Kit	01-0115-000	1
3.1	Bumper, Weldment, Left Side	01-0115-002	1
3.2	Bumper, Weldment, Right Side	01-0115-003	1
3.3	Bumper, Weldment, Center, DOT	01-0115-004	1
3.4	Wheel, Nylon, Black	P-2003774	2
3.5	Mount Frame, Weldment	01-0114-100	1
3.6	Cap, 2" x 4"	60-1007-401	4

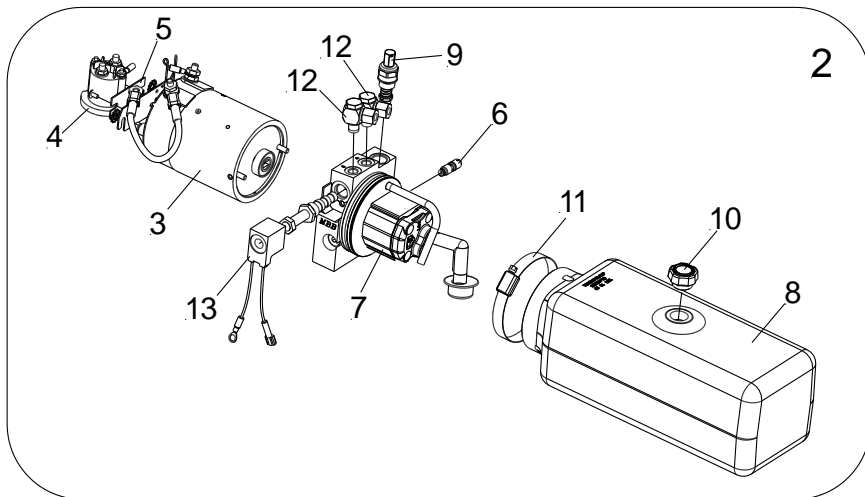
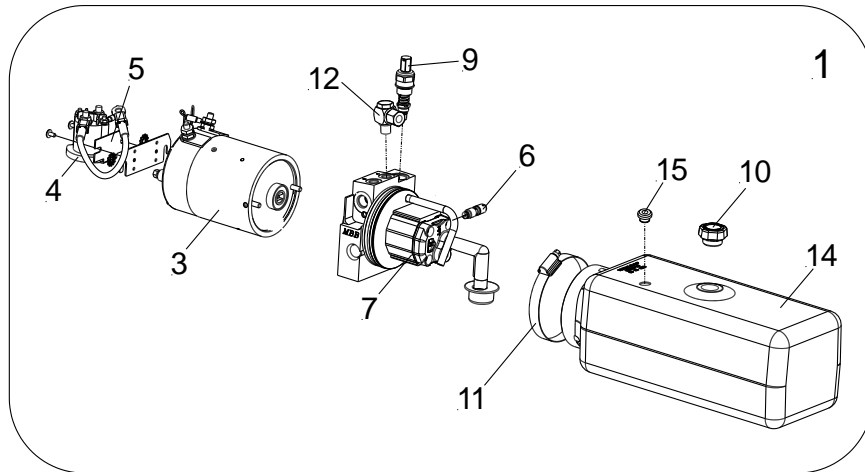
17 Hydraulic Pump Box



17 – HYDRAULIC PUMP BOX			
NO.	DESCRIPTION	PART NO.	QTY.
1	Pump Box Assy, Base & Cover	50-0113-000	1
1.1	Pump Box, Base	50-0113-005	1
1.2	Pump Box, Cover	50-0113-020	1
2	Power Cable, 2GA, Red, 35 ft.	KET05637A	1
3	Grommet, Rubber	99-8713-014	4
4	Wing Bolt, M8 X 16mm	P-2034123	2
5	Head Socket Cap Screw, Flat, 3/8-16 X 3/4"	99-8813-017	2
6	Washer, Flat, M8	EK2929	2
7	Washer, Split Lock, M8	EK3471	4
8	Washer, Internal/External Tooth Lock, 5/16"	EK3573	1
9	Nut, M8-1.25 Cl. 8	EM 003	2
10	Hex Head Cap Screw, M8-1.25 X 30mm	ES 013	1
11	Hex Head Cap Screw; M8-1.25 X 20mm	ES3827	2
12	Electrical Terminal, #10, Round Tongue	P-1474387	1
13	Hose, Hydraulic, 1400mm [55"]	P-2021335	1
14	Ground Cable, 2GA, Black, 700mm [27.5"]	P-1308319	1

NOTES

18 Hydraulic Power Unit

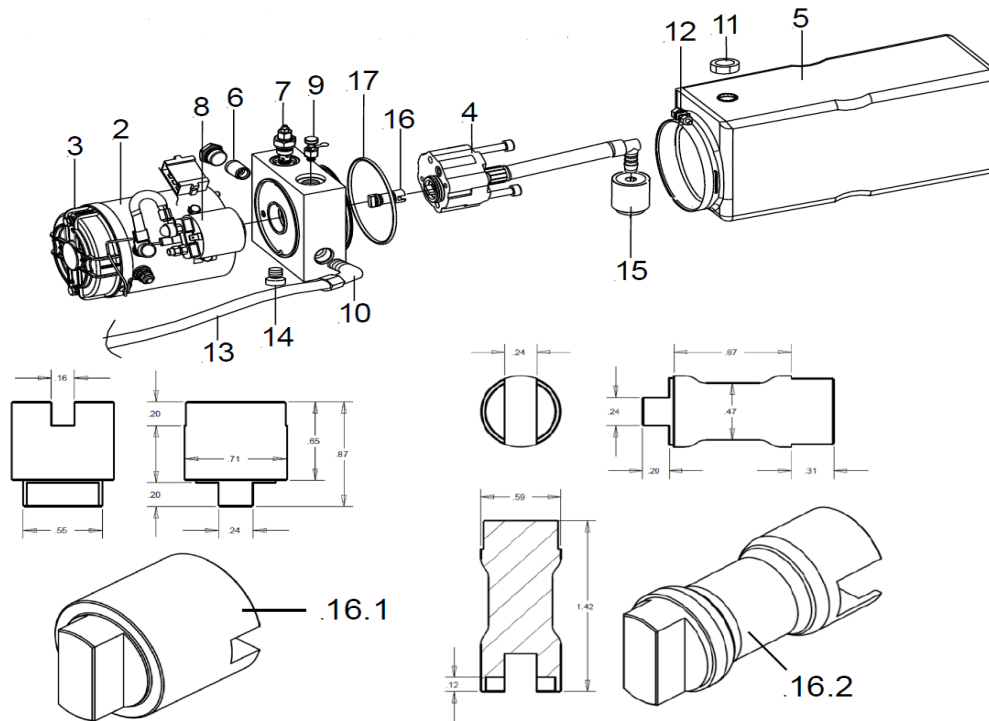


18- HYDRAULIC POWER UNIT			
NO.	DESCRIPTION	PART NO.	QTY.
1	Hydraulic Power Unit, Gravity Down	50-0313-950	1
2	Hydraulic Power Unit, Power Down	50-0313-951	1
3	Motor 12 Volt	80-1411-101	1
4	Motor Solenoid	80-1411-102	1
5	Brackets For Solenoid	50-0313-956	1
6	Check Valve Pilot	50-0313-952	1
7	Pump	80-1411-917	1
8	Oil Reservoir (Plastic)	50-0313-958	1
9	Relief Valve	50-0313-953	1
10	Breather Cap	50-0709-914	1
11	Clamp For Oil Reservoir	50-0313-954	1
12	Fitting, 90° Elbow (Qty 2 For Power Down Units)	50-0313-955	1
13	Valve Cartridge	50-0313-957	1
14	Oil Reservoir, Plastic, w/Grommet Hole, 5.5"x6"x15"	ML50-7521-001	1
15	Grommet, Rubber, ¼" Tube	ML50-7521-002	1

Palfinger Interlift, LLC.
 15939 Piuma Ave, Cerritos, CA 90703
 Tel: (888) 774-5844, Fax: (562) 924-8318

Palfinger Interlift, LLC.
 572 Whitehead Road, Trenton, NJ 08619
 Tel: (609) 587-4200, Fax: (609) 587-4201

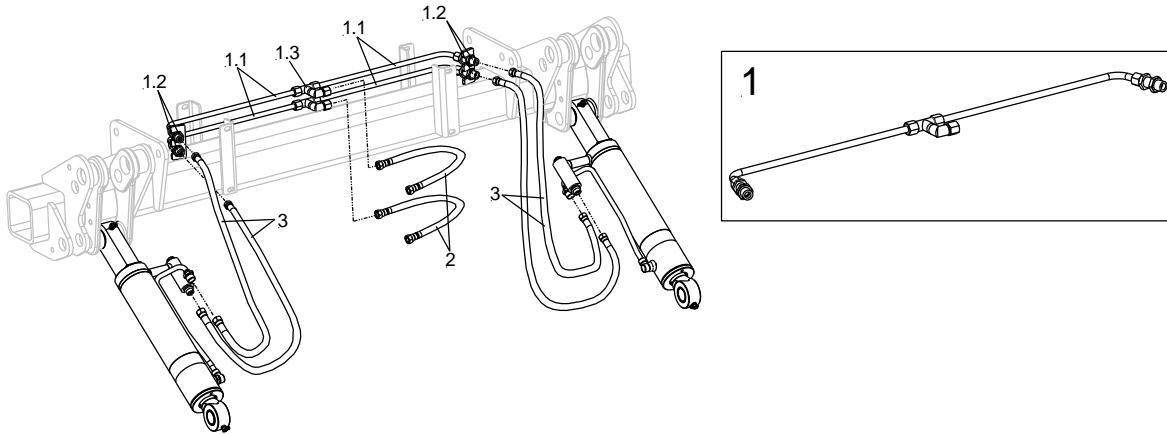
19 Hydraulic Power Unit (Until January 2013)



19 – HYDRAULIC POWER UNIT(UNTIL JAN. 2013)			
NO.	DESCRIPTION	PART NO.	QTY.
1	Power pack, kit, incl. pump box (<i>not shown above</i>)	P-2020860	1
2	Motor 12 Volt	P-2020866	1
3.1	Carbon brushes kit (4 pieces) - since 2001	P-1410330	1
3.2	Carbon brushes kit (4 pieces) - till 2001	P-1407399	1
4	Pump incl. coupler, pipe, filter	P-2020618	1
5	Oil Reservoir	P-1404306	1
6	Shuttle Valve	P-2005141	1
7	Pressure Control Valve	P-1404297	1
8	Motor Solenoid	P-1404303	1
9	Pressure Gauge	P-1405397	1
10	Fitting - 90° Elbow	P-1232266	1
11	Breather Cap	P-1404487	1
12	Clamp kit for oil reservoir	P-1404308	1
13	Hydraulic Hose, Rubber, 1400mm	P-2021335	1
14	Drain Plug	P-66373088	1
15	Pump Filter	P-2018681	1
16.1	Coupler 3/4" x 7/8" (18mmx23mm) - <i>early style</i>	P-1406291	1
16.2	Coupler 3/4" x 1-3/8" (18mmx34mm) - <i>new style</i>	P-2020617	1
17	Sealing Ring	P-2009743	1

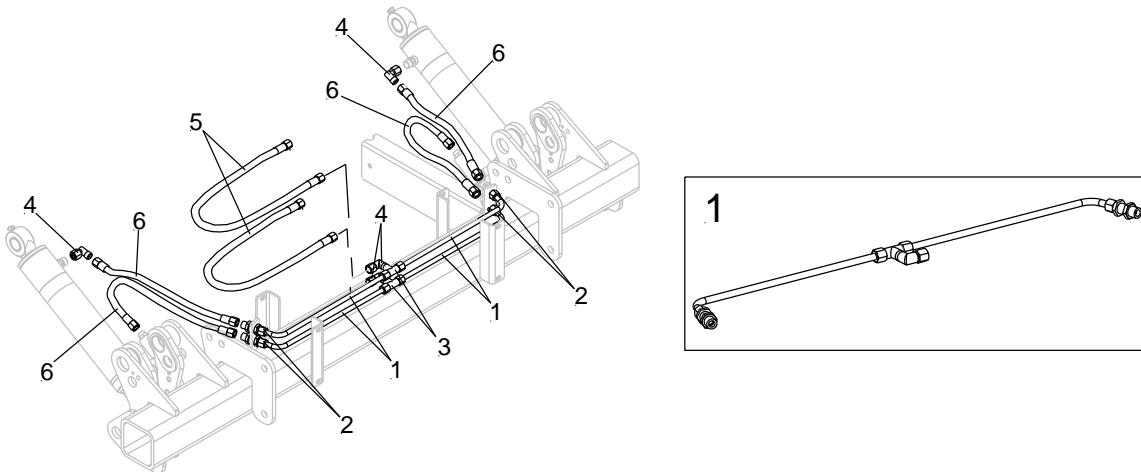
20 Hydraulic Tubing

20.1 Power Down – After 2019



20.1 – HYDRAULIC TUBING KIT			
NO.	DESCRIPTION	PART NO.	QTY.
1	Tube; Hydraulic; Assy	80-0118-100	1
1.1	Tube; Hydraulic; Sub Assy	80-0118-101	2
1.2	Fitting- Bulk Head	P-1111057	2
1.3	T-Fitting, T-10-L, Compression	P-1111084	1
2	Hydraulic Hose, 850mm [33.5"], Rubber	P-2021337	2
3	Hydraulic Hose, 700mm [27.5"], Plastic	P-1169517	4

20.2 Power Down (2017-2019)

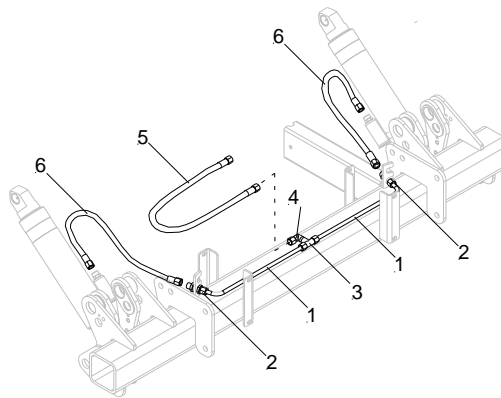


20.2 – HYDRAULIC TUBING KIT			
NO.	DESCRIPTION	PART NO.	QTY.
1	Hydraulic Tube Sub Assembly	80-0118-100	4
2	Fitting, Bulkhead	P-1111057	4
3	T-Fitting	P-1111084	2
4	Elbow, 90°	P-1232266	4
5	Hydraulic Hose, 850mm [33.5"], Rubber	P-2021337	2
6	Hydraulic Hose, 700mm [27.5"], Plastic	P-1169517	4

Palfinger Interlift, LLC.
 15939 Piuma Ave, Cerritos, CA 90703
 Tel: (888) 774-5844, Fax: (562) 924-8318

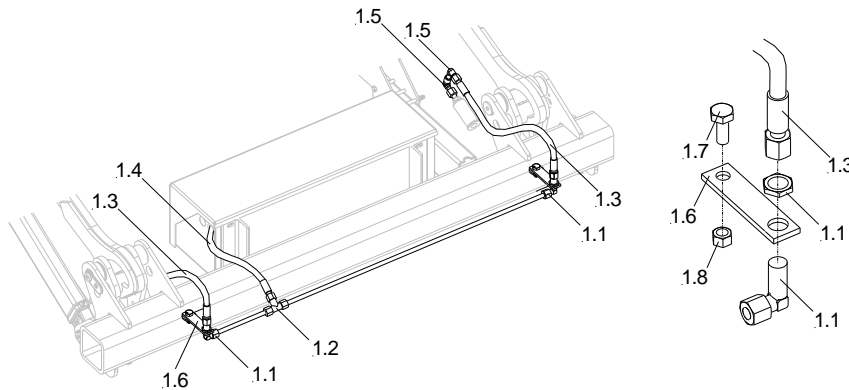
Palfinger Interlift, LLC.
 572 Whitehead Road, Trenton, NJ 08619
 Tel: (609) 587-4200, Fax: (609) 587-4201

20.3 Gravity Down



20.3 – HYDRAULIC TUBING KIT			
NO.	DESCRIPTION	PART NO.	QTY.
1	Hydraulic Tube Sub Assembly	80-0118-101	2
2	Fitting, Bulkhead	P-1111057	2
3	T-Fitting	P-1111084	1
4	Elbow, 90°	P-1232266	1
5	Hydraulic Hose, 850mm [33.5"], Rubber	P-2021337	1
6	Hydraulic Hose, 700mm [27.5"], Plastic	P-1169517	2

20.4 Power Down – Discontinued 2017

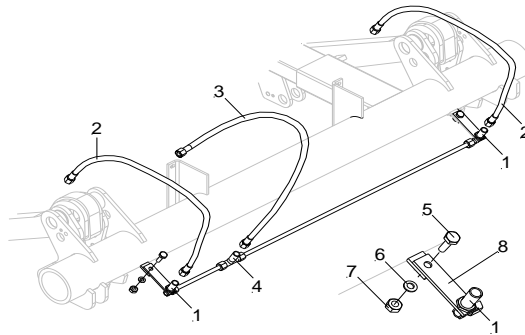


20.4 – HYDRAULIC TUBING KIT			
NO.	DESCRIPTION	PART NO.	QTY.
1	Kit, Hydraulic Tubing	P-1201034	1
1.1	Bulkhead Fitting, 90°, Elbow	P-1111066	2
1.2	Tee Fitting	P-1111075	1
1.3	Hydraulic Hose, 850mm [33.5"], Rubber	P-2021337	4
1.4	Hydraulic Hose, 700mm [27.5"], Plastic	P-1169517	1
1.5	Elbow Fitting, 90°	P-1232266	2
1.6	Mounting Bracket	P-1278692	2
1.7	Bolt, M10x25mm, ST8.8	P-66125262	2
1.8	Nut, M10	P-67243153	2

Palfinger Interlift, LLC.
 15939 Piuma Ave, Cerritos, CA 90703
 Tel: (888) 774-5844, Fax: (562) 924-8318

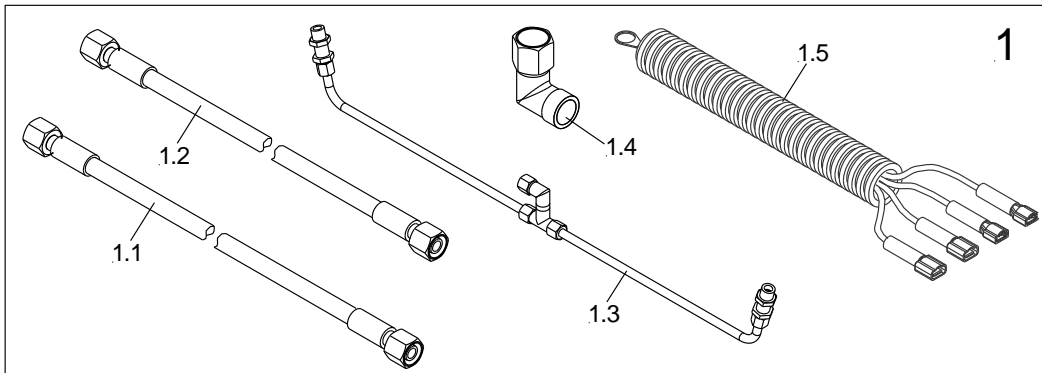
Palfinger Interlift, LLC.
 572 Whitehead Road, Trenton, NJ 08619
 Tel: (609) 587-4200, Fax: (609) 587-4201

20.5 Power Down (German) – Discontinued 2019



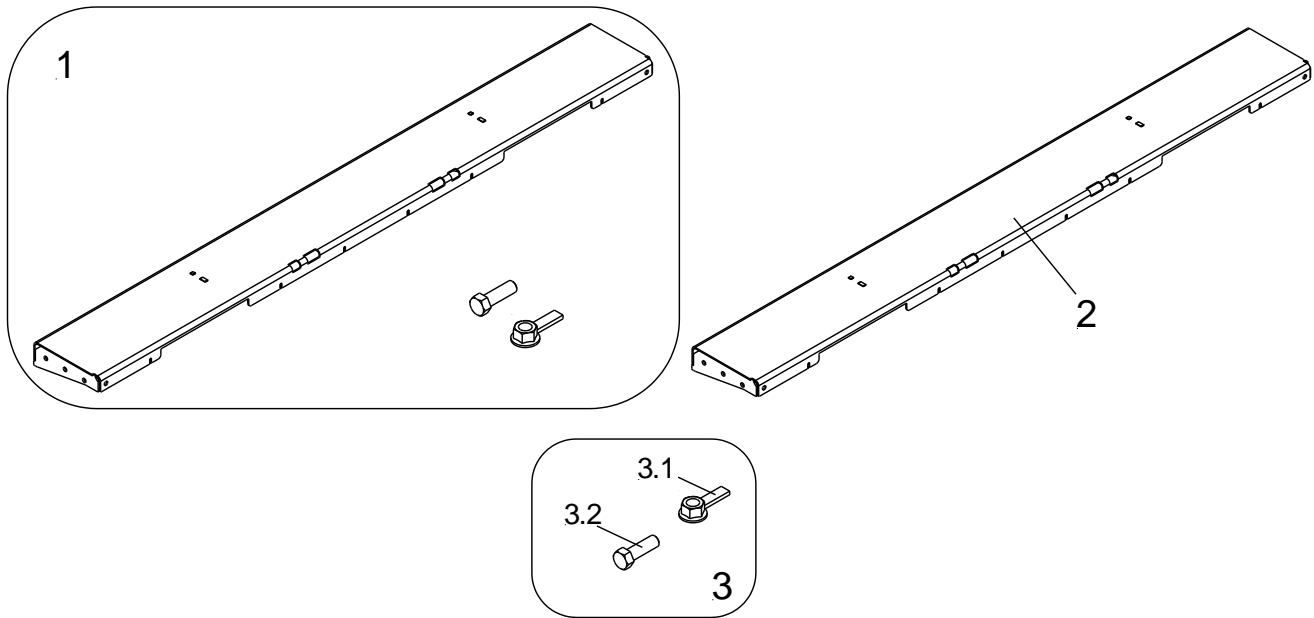
20.5 – HYDRAULIC TUBING KIT (GERMAN)			
NO.	DESCRIPTION	PART NO.	QTY.
1	Bulkhead Fitting, 90°, Elbow	P-1111066	2
2	High Pressure Hose, 850mm L [33.5" L]	P-2021337	2
3	High Pressure Hose, 1400mm L [55" L]	P-1273114	1
4	Tee Fitting, 10L	P-1111084	1
5	Bolt, M10x25mm, ST8.8	P-66125262	2
6	Washer, M10	P-1207076	2
7	Nut, M10	P-67243153	2
8	Plate	P-1278692	2

21 Hydraulic Kit – Power Down



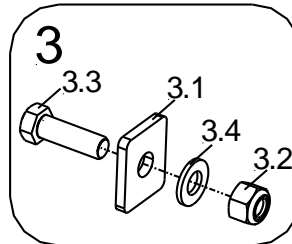
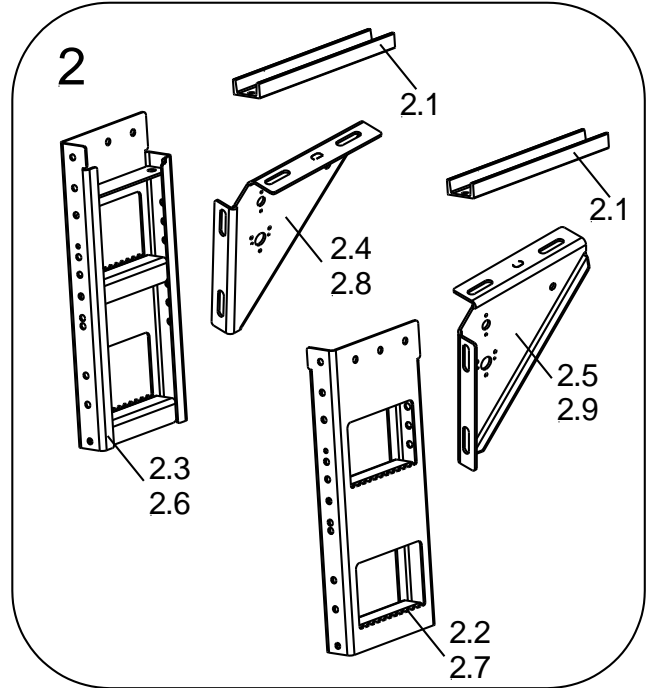
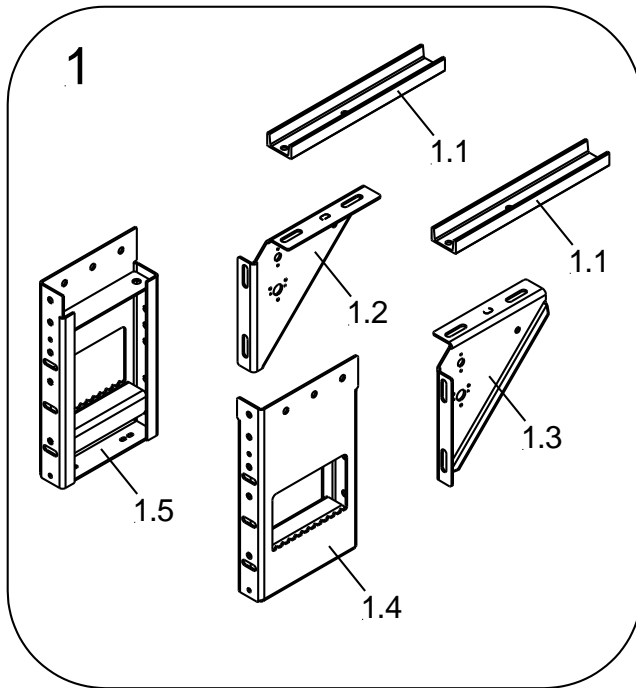
21 – HYDRAULIC KIT (POWER DOWN)			
NO.	DESCRIPTION	PART NO.	QTY.
1	Power Down Kit, (Add on)	90-0118-050	1
1.1	Hose, Rubber, 850mm	P-2021337	1
1.2	Hose, 700mm	P-1169517	2
1.3	Hydraulic Tubing Assembly	80-0118-100	1
1.4	Elbow, 90°, 10L to 10L	P-1232266	2
1.5	Harness, Diode, Power Down	70-1011-100	1

22 Bed Extensions



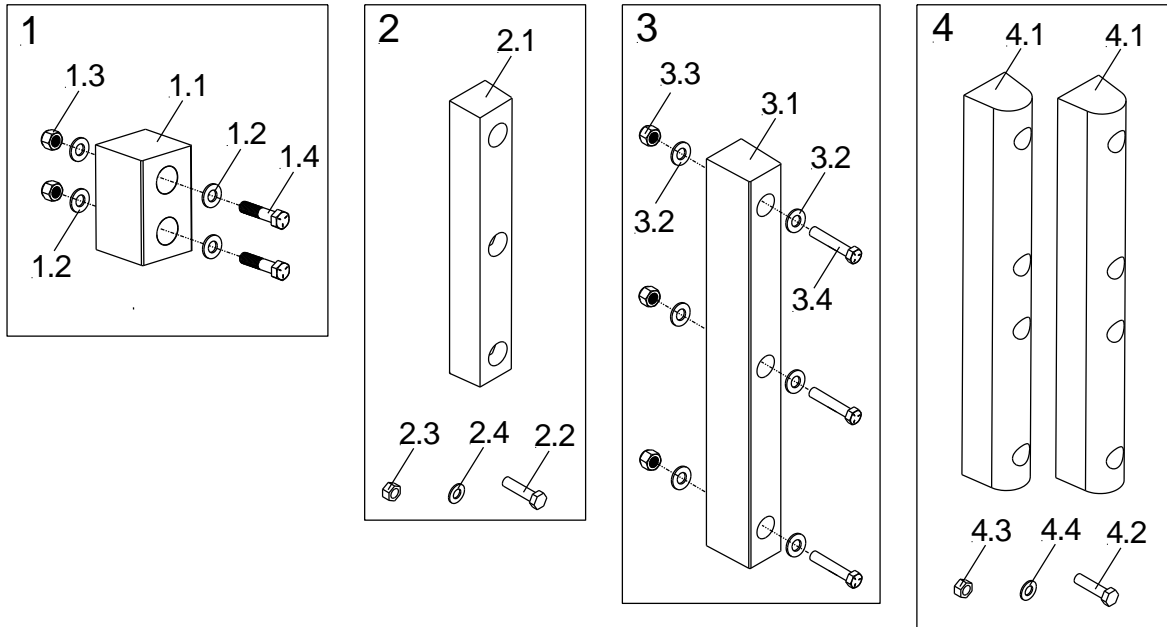
22 - BED EXTENSIONS			
NO.	DESCRIPTION	PART NO.	QTY.
1	Bed Extension Kit, Bolt-On, 102" W, Black	60-0114-000+B	1
	Bed Extension Kit, Bolt-On, 102" W, Galvanized	60-0114-000+G	1
	Bed Extension Kit, Bolt-On, 96" W, Black	60-0114-001+B	1
	Bed Extension Kit, Bolt-On, 96" W, Galvanized	60-0114-001+G	1
2	Bed Extension, Weld-On, 102" W, Black	60-0113-100+B	1
	Bed Extension, Weld-On, 102" W, Galvanized	60-0113-100+G	1
	Bed Extension, Weld-On, 96" W, Black	60-0113-200+B	1
	Bed Extension, Weld-On, 96" W, Galvanized	60-0113-200+G	1
3	Bolt-On Bed Extension, Hardware Kit	65-1012-220	1
3.1	Nut, w/Stop Arm, 9/16"-18, Zinc	65-1012-012	19
3.2	Hex Head Cap Screw, 9/16"-18 X 1.75", Gr.8, Zinc	ES3444	19

23 Dock Bumpers (After 2014)



23 - DOCK BUMPERS			
NO.	DESCRIPTION	PART NO.	QTY.
1	Kit, 21" Dock Bumpers, Weld-On, Heavy Duty (3/16"), Black	60-7515-013+B	1
	Kit, 21" Dock Bumpers, Weld-On, Heavy Duty (3/16"), Galvanized	60-7515-013+G	1
	Kit, 21" Dock Bumpers, Bolt-On, Heavy Duty (3/16") w/Hardware, Black	65-7515-007+B	1
	Kit, 21" Dock Bumpers, Bolt-On, Heavy Duty (3/16") w/Hardware, Galvanized	65-7515-007+G	1
1.1	3" Channel, Black	60-1013-032+B	2
	3" Channel, Galvanized	60-1013-032+G	1
1.2	Strut Brace, 3/16", Street Side, Black	65-7514-008+B	1
	Strut Brace, 3/16", Street Side, Galvanized	65-7514-008+G	1
1.3	Strut Brace, 3/16", Curb Side, Black	65-7514-009+B	1
	Strut Brace, 3/16", Curb Side, Galvanized	65-7514-009+G	1
1.4	Dock Bumper, 12" X 21" X 3/16", Right Side, Black	65-7515-000+B	1
	Dock Bumper, 12" X 21" X 3/16", Right Side, Galvanized	65-7515-000+G	1
1.5	Dock Bumper, 12" X 21" X 3/16", Left Side, Black	65-7515-003+B	1
	Dock Bumper, 12" X 21" X 3/16", Left Side, Galvanized	65-7515-003+G	1
2	Kit, 28" Dock Bumpers, Weld-On, Heavy Duty (3/16"), Black	65-7514-001+B	1
	Kit, 28" Dock Bumpers, Weld-On, Heavy Duty (3/16"), Galvanized	65-7514-001+G	1
	Kit, 28" Dock Bumpers, Bolt-On, Heavy Duty (3/16") w/Hardware, Black	65-7514-000+B	1
	Kit, 28" Dock Bumpers, Bolt-On, Heavy Duty (3/16") w/Hardware, Galvanized	65-7514-000+G	1
	Kit, 28" Dock Bumpers, Weld-On, Extra Heavy Duty (1/4"), Black Paint	65-1013-011+B	1
	Kit, 28" Dock Bumpers, Weld-On, Extra Heavy Duty (1/4"), Galvanized	65-1013-011+G	1
	Kit, 28" Dock Bumpers, Bolt-On, Extra Heavy Duty (1/4") w/Hardware, Black	65-1013-010+B	1
	Kit, 28" Dock Bumpers, Bolt-On, Extra Heavy Duty (1/4") w/Hardware, Galvanized	65-1013-010+G	1
2.1	3" Channel, Black	60-1013-032+B	2
	3" Channel, Galvanized	60-1013-032+G	2
2.2	Dock Bumper, 12" X 28" X 3/16", Curb Side, Black	65-7514-002+B	1
	Dock Bumper, 12" X 28" X 3/16", Curb Side, Galvanized	65-7514-002+G	1
2.3	Dock Bumper, 12" X 28" X 3/16", Street Side, Black	65-7514-003+B	1
	Dock Bumper, 12" X 28" X 3/16", Street Side, Galvanized	65-7514-003+G	1
2.4	Strut Brace, 3/16", Street Side, Black	65-7514-008+B	1
	Strut Brace, 3/16", Street Side, Galvanized	65-7514-008+G	1
2.5	Strut Brace, 3/16", Curb Side, Black	65-7514-009+B	1
	Strut Brace, 3/16", Curb Side, Galvanized	65-7514-009+G	1
2.6	Dock Bumper, 12" X 28" X 1/4", Street Side, Black	60-1013-010+B	1
	Dock Bumper, 12" X 28" X 1/4", Street Side, Galvanized	60-1013-010+G	1
2.7	Dock Bumper, 12" X 28" X 1/4", Curb Side, Black	60-1013-020+B	1
	Dock Bumper, 12" X 28" X 1/4", Curb Side, Galvanized	60-1013-020+G	1
2.8	Strut Brace, 1/4", Street Side, Black	60-1013-030+B	1
	Strut Brace, 1/4", Street Side, Galvanized	60-1013-030+G	1
2.9	Strut Brace, 1/4", Curb Side, Black	60-1013-031+B	1
	Strut Brace, 1/4", Curb Side, Galvanized	60-1013-031+G	1
3	Dock Bumper Hardware Kit	65-1013-012	1
3.1	Clamp Washer	60-1013-050	8
3.2	Washer, Flat, 9/16", SAE	EK3280	16
3.3	Nut, Nylock, 9/16"-12	EM862	16
3.4	Hex Head Cap Screw, 9/16"-12x1.75, Zinc	ES4003	16

24 Dock Bumper – Rubber Bumpers

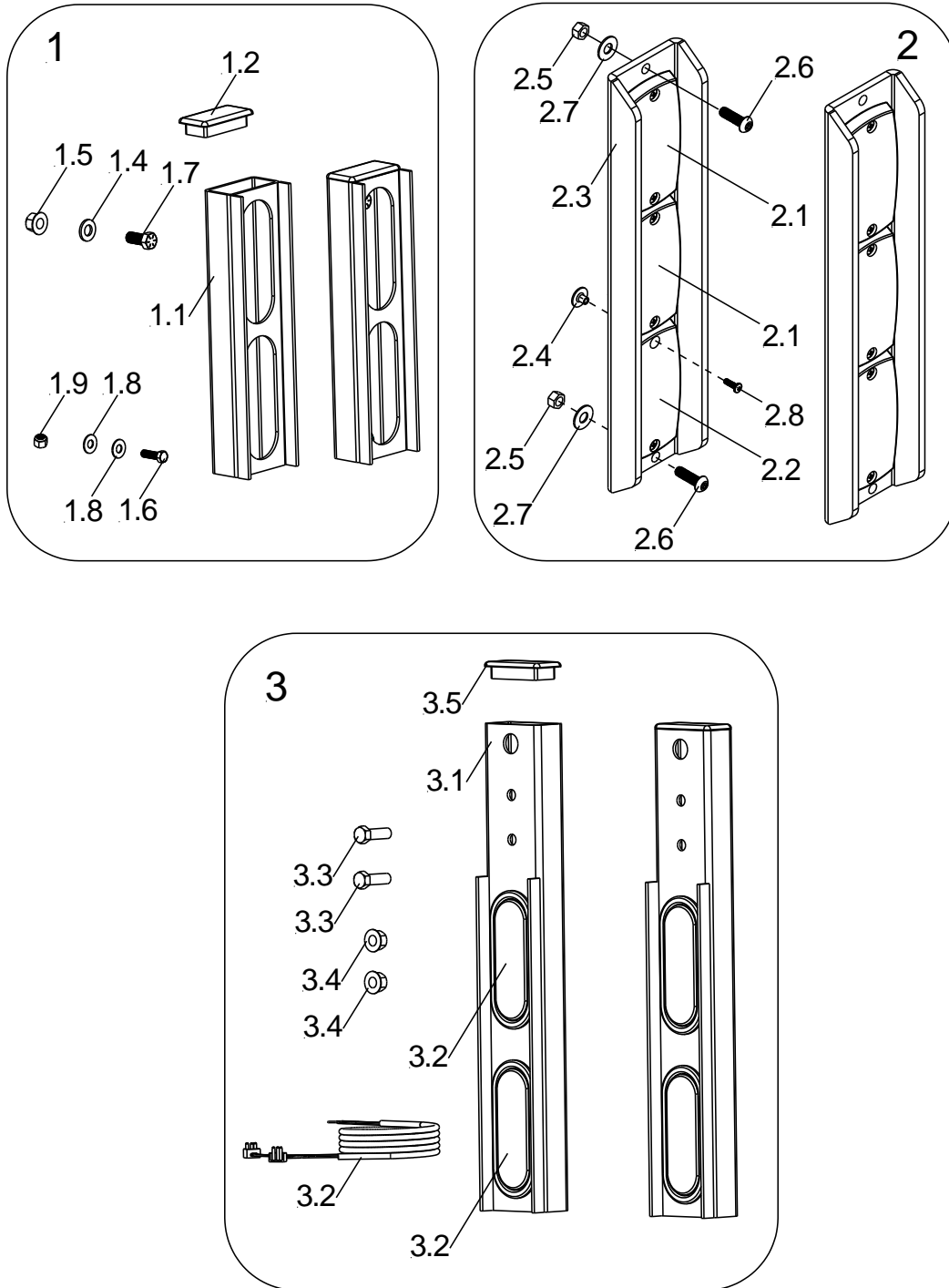


24 - DOCK BUMPER RUBBER PADS			
No.	Description	PART NO.	QTY.
1	Rubber Bumper Kit, 2.6"X3.5"X5", UHMW, 2 Hole, w/Bolt-On Hardware	65-7518-300	1
1.1	Rubber Bumper, 3"x3"x4.8", UHMW	65-7517-400	1
1.2	Washer, Flat, 1/2"	EK2796	8
1.3	Nylock, 1/2"-13	EM-707	4
1.4	Hex Head Cap Screw, 1/2-13x2.25"	ES3910	4
2	Bumper Kit, UHMW, 16", Bolt-On	65-7518-005	1
2.1	Bumper; UHMW; 16"x2"x1.5"	65-7518-001	1
2.2	Hex Head Cap Screw, 1/2"-13 x 2.00"	ES3455	3
2.3	Nylock, 1/2"-13	EM-707	3
2.4	Washer, Flat, 1/2", SAE	EK2796	6
3	Rubber Bumper Kit, 3"X2.5"X24", 3 Hole, w/Bolt-On Hardware	65-7514-024	1
3.1	Rubber Dock Bumper	65-7514-023	1
3.2	Washer, Flat, 1/2"	EK2796	6
3.3	Nylock, 1/2"-13	EM-707	3
3.4	Hex Head Cap Screw 1/2"-13x2.75" Gr.5,Zinc	ES3554	3
4	Rubber Bumper Kit, 3"X3"X24", 4 Hole, w/Bolt-On Hardware	65-7513-424	1
4.1	Rubber Dock Bumper	65-7513-024	2
4.2	Hex Head Cap Screw, 1/2"-13 X 2.25"	ES3910	8
4.3	Nylock, 1/2"-13	EM-707	8
4.4	Washer, Flat, 1/2", SAE	EK2796	16

NOTES

25 Dock Bumper - Light Kits

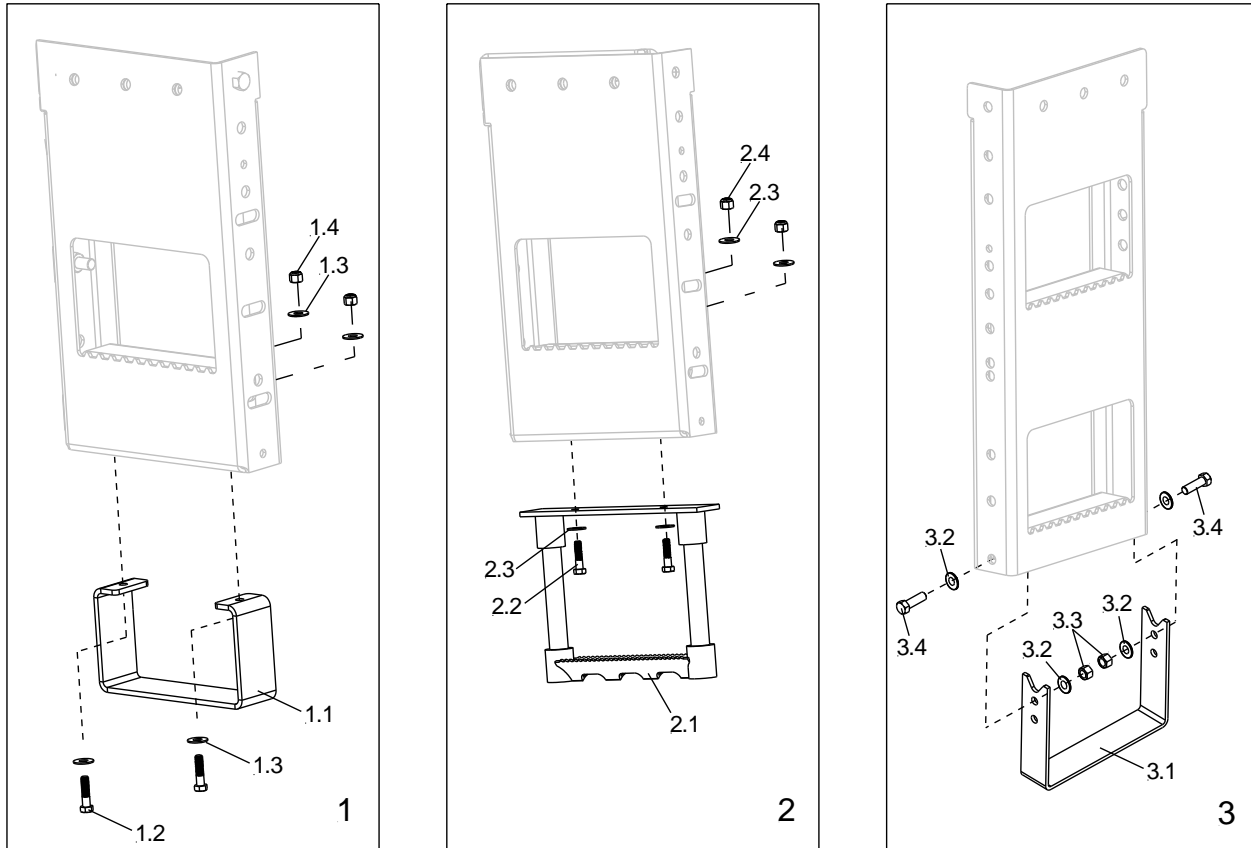
INTERLIFT Liftgates use galvanized, galvanized, powder coat, paint, zinc, and other finishes on different liftgate models. It is important to specify what type of finish is required for the ordered replacement parts.



25 - DOCK BUMPER LIGHT KITS			
NO.	DESCRIPTION	PART NO.	QTY.
1	Light Fixture Kit, 21" Dock Bumpers, (No Lights Included.)	60-7515-014+G	1
1.1	Light Fixture, 21", Series 60	65-7515-010+G	2
1.2	Cap, 2 X 4, Plastic, Black	60-1007-401	2
1.3	Washer, Flat, 9/16", SAE/USS	EK3280	2
1.4	Nut, Flange, Lock, 9/16"-18	EM 693	2
1.5	Hex Head Cap Screw; 3/8-16 X 1.25"	ES3496	2
1.6	Hex Head Cap Screw; 9/16-18 X 1.25"	ES3689	2
1.7	Washer, Flat, 3/8" USS, Zinc	EK3216	4
1.8	Nut, Nylock, 3/8"-16, Gr.5, Zinc	EM-708	2
2	Light Fixture Kit, Dock Bumpers, 3" Lights, w/Bolt On Hardware	65-1013-400	1
2.1	Red Led Light	65-1013-201	2
2.2	White Led Light	65-1013-202	1
2.3	3-Light Bracket	65-7513-102	1
2.4	Split Loom, 0.25" x 6.25", Black	EZ7394	3
2.5	Nut, Tee, #8-32	EM 845	6
2.6	Pan Head Screw, #8-32x0.50"	ES3622	6
2.7	Button Head Cap Screw, 3/8"-16 x 1.25"	99-8813-048	2
2.8	Washer, Flat, 3/8	99-8813-058	2
2.9	Nut, Nylock, 3/8"-16, Gr.5, Zinc	EM-708	2
3	Light Fixture Kit. 28" Dock Bumpers, Series 60 Light (w/Lights)	65-0815-100+G	1
3.1	Light Fixture, Series 60	65-0815-002+G	2
3.2	Light Kit, w/Harness, Red	70-8015-015	1
3.3	Hex Head Cap Screw, 5/8-18x1.75, Gr.8, Zinc	ES3444	4
3.4	Nut, Lock, Flanged, 9/16-18", Gr.8, Zinc	EM 693	4
3.5	Cap, 2 X 4, Plastic, Black	60-1007-401	2

26 Dock Bumper Steps

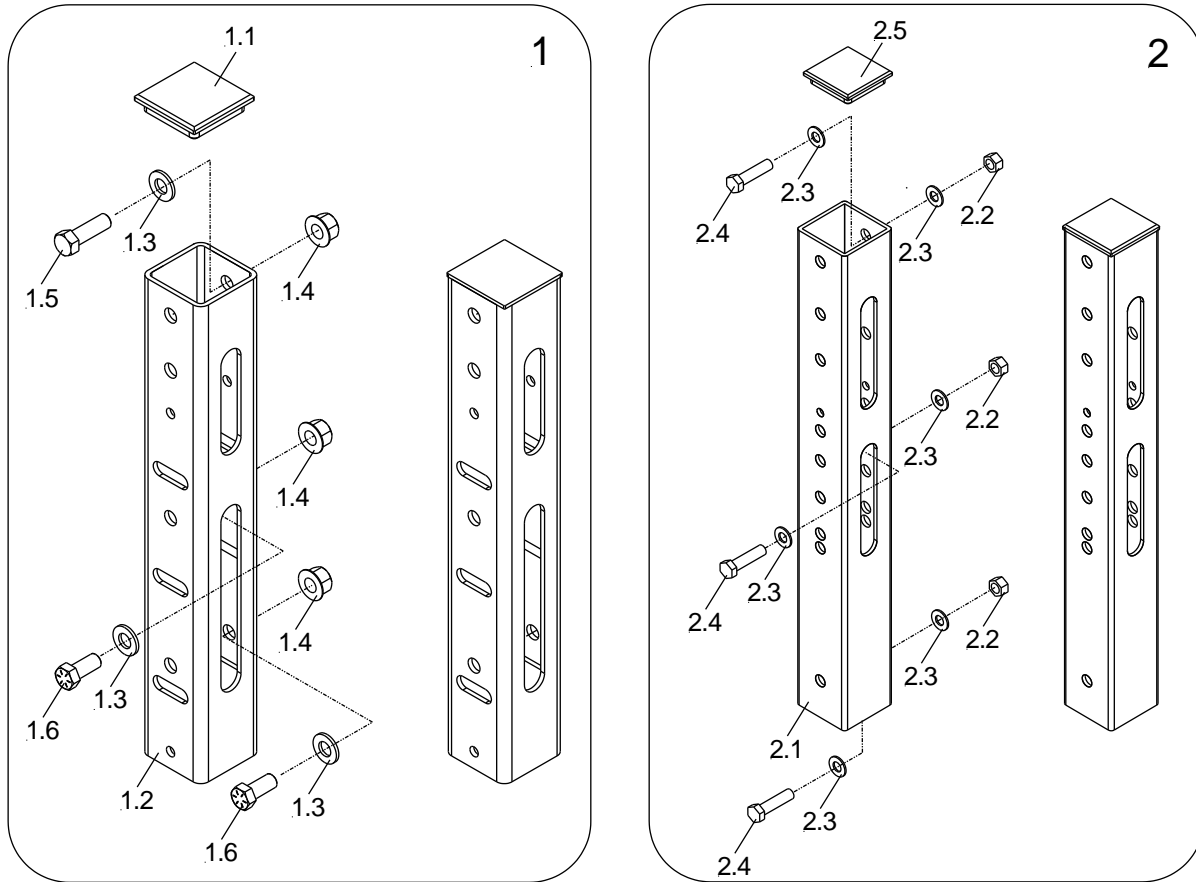
INTERLIFT Liftgates use galvanized, galvanized, powder coat, paint, zinc, and other finishes on different liftgate models. It is important to specify what type of finish is required for the ordered replacement parts.



26 - DOCK BUMPER STEPS			
NO.	DESCRIPTION	PART NO.	QTY.
1	Stirrup Step kit; 6", 21" Dock Bumper	65-7515-012+G	1
1.1	Stirrup Step; 6"	65-1011-102+G	2
1.2	Hex Head Cap Screw, 3/8-16x1.50"	ES3656	4
1.3	Washer, Flat,3/8" USS,Zinc	EK3216	8
1.4	Nut, Nylock, 3/8-16, Gr.5, Zinc	EM-708	4
2	Cable Step Kit; 21" Dock Bumper, Zinc	65-7515-006	1
2.1	Cable Step; 9"x12"x1-1/4", Zinc	65-7518-000	2
2.2	Hex Head Cap Screw, 3/8-16x1.50"	ES3656	4
2.3	Washer, Flat,3/8" USS,Zinc	EK3216	8
2.4	Nut, Nylock 3/8-16 Gr.5 Zinc	EM-708	4
3	Stirrup Step Kit; 8", 28" Dock Bumper	65-7514-010+G	1
3.1	Stirrup Step; 8"	60-1013-060+G	2
3.2	Washer, Flat,1/2"	EK2796	8
3.3	Nut, Nylock, 1/2"-13	EM-707	4
3.4	Hex Head Cap Screw, 1/2"-13 x 1.5	ES3456	4

27 Dock Bumpers - Walk Ramp Extensions

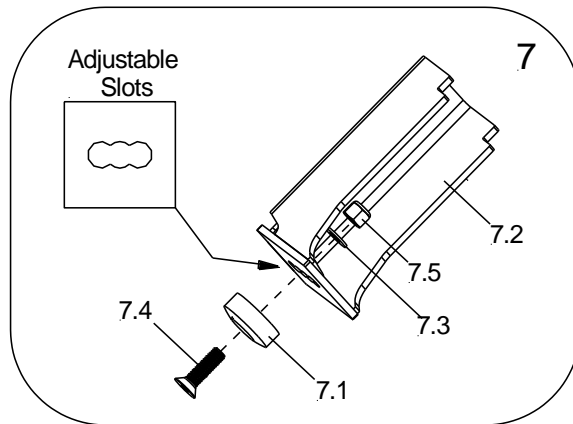
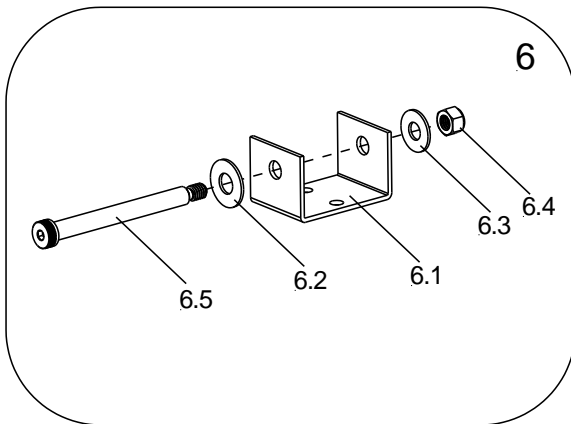
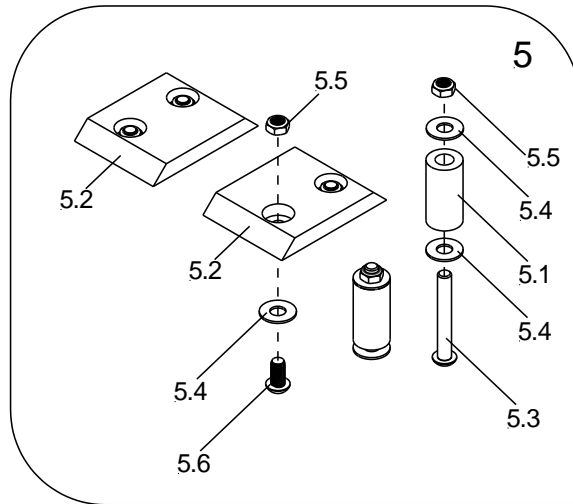
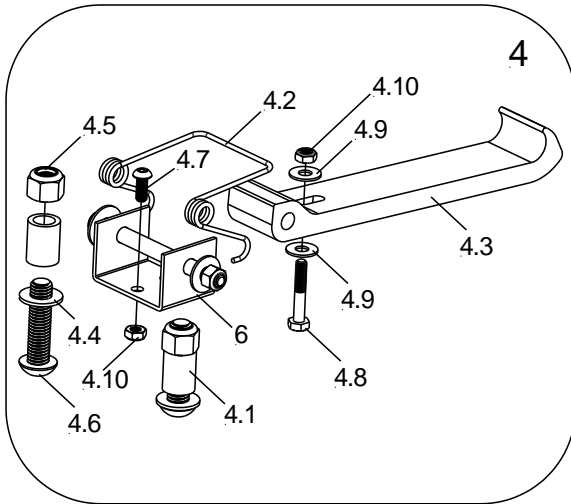
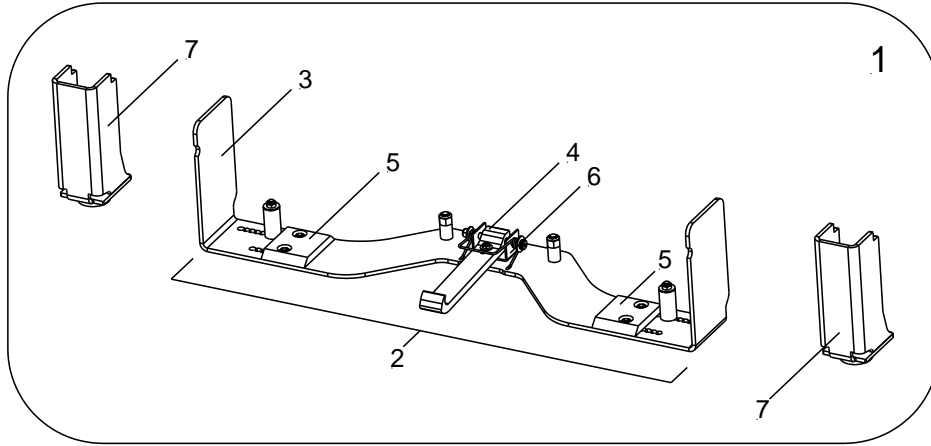
INTERLIFT Liftgates use galvanized, galvanealed, powder coat, paint, zinc, and other finishes on different liftgate models. It is important to specify what type of finish is required for the ordered replacement parts.



27 - DOCK BUMPERS – WALK RAMP EXTENSIONS			
NO.	DESCRIPTION	PART NO.	QTY.
1	21" Dock Bumper, Bolt-On, Walk Ramp Extension Kit, w/Hardware	65-7515-013+G	1
1.1	3" Square Tube Cap	99-8714-001	2
1.2	Walk Ramp Extension Tube, Galvanized	65-7515-014+G	2
1.3	Washer; Flat; 9/16, SAE/USS	EK3280	6
1.4	Lock Nut, Flange, 9/16"-18	EM 693	6
1.5	Hex Head Cap Screw, 9/16-18 X 1.75"	ES3444	2
1.6	Hex Head Cap Screw, 9/16-18 X 1.25"	ES3689	4
2	28" Dock Bumper, Bolt-On, Walk Ramp Extension Kit, w/Hardware	65-7514-014+G	1
2.1	Walk Ramp Extension Tube, Galvanized	65-7514-016+G	2
2.2	Nut, Nylock, 1/2"-13	EM-707	6
2.3	Washer, Cut. 1/2"	EK2796	12
2.4	Hex Head Cap Screw, 1/2"-13 X 1.5"	ES3456	6
2.5	Cap, Square Tube, 3"	99-8714-001	2

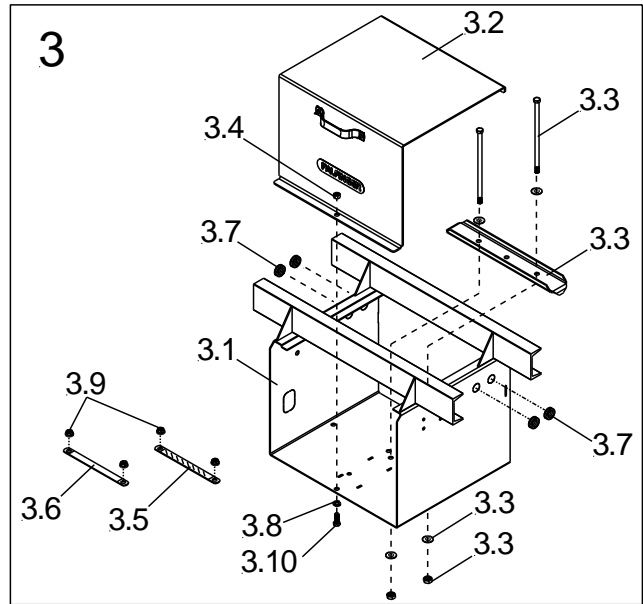
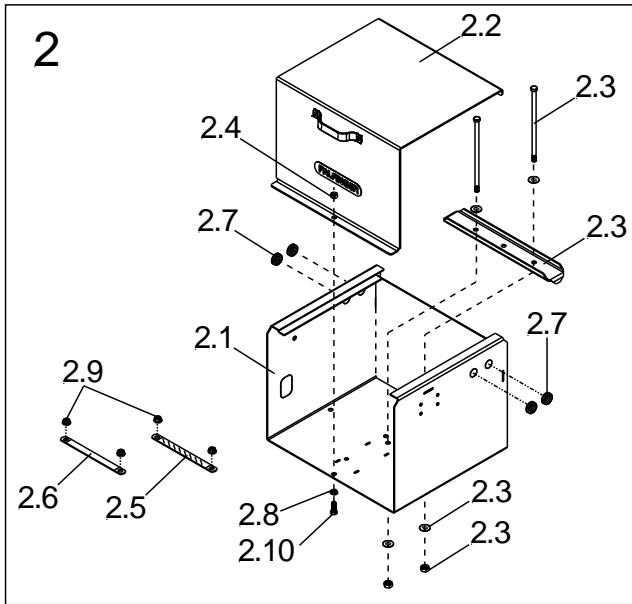
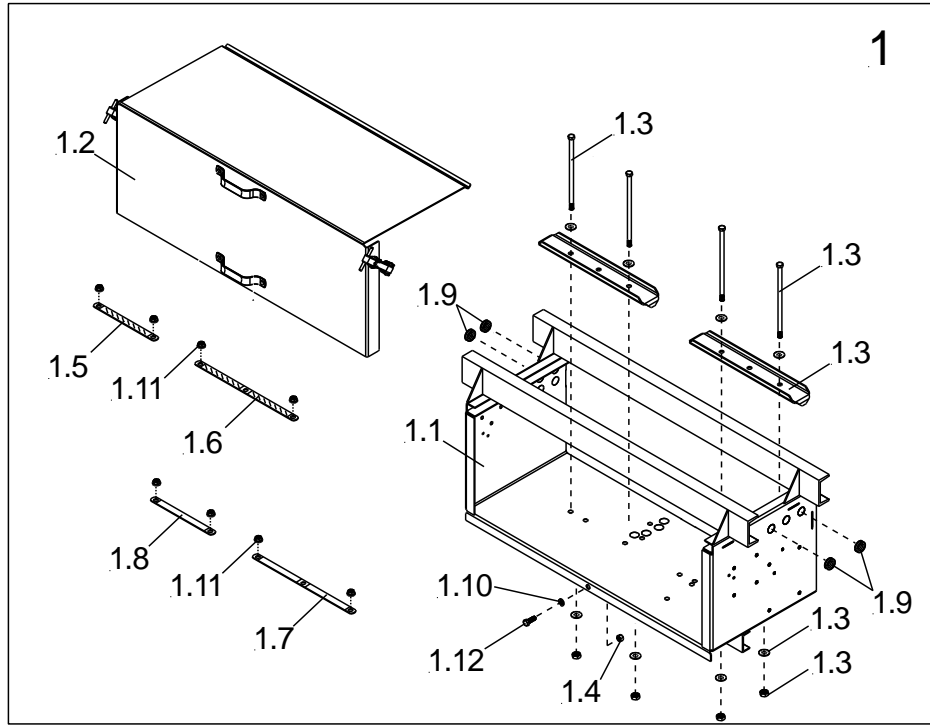
28 Walk Ramp

INTERLIFT Liftgates use galvanized, galvanized, powder coat, paint, zinc, and other finishes on different liftgate models. It is important to specify what type of finish is required for the ordered replacement parts.



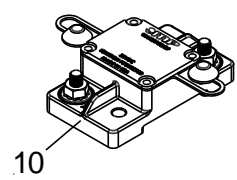
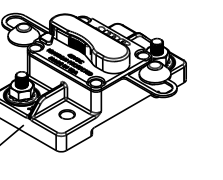
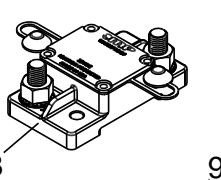
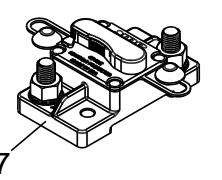
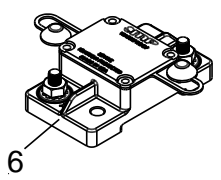
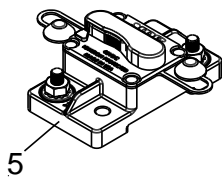
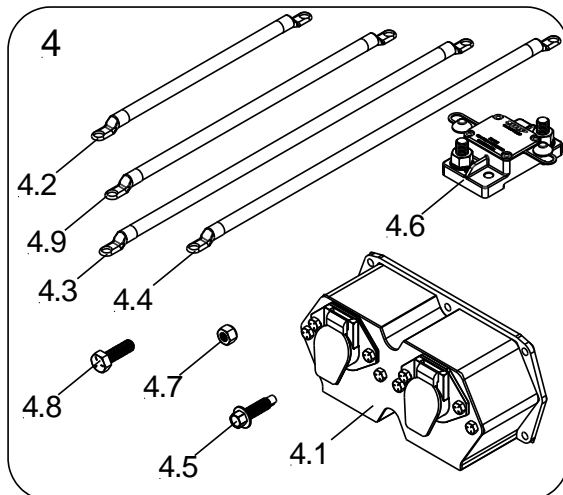
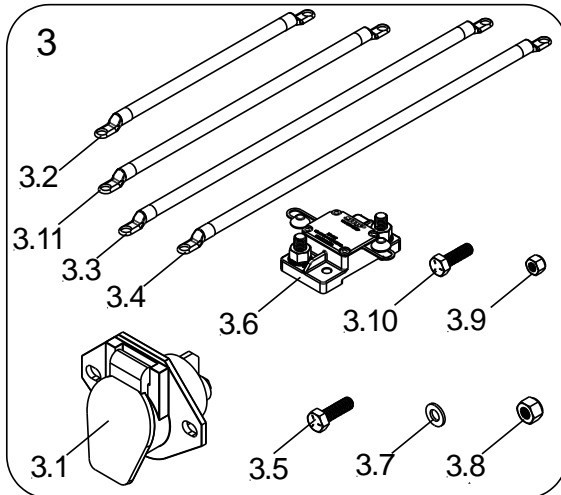
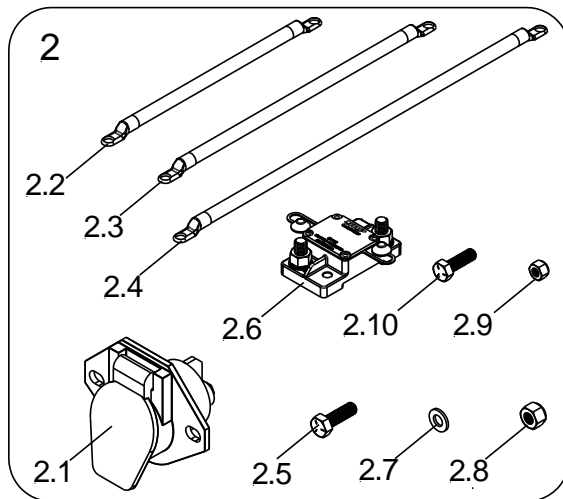
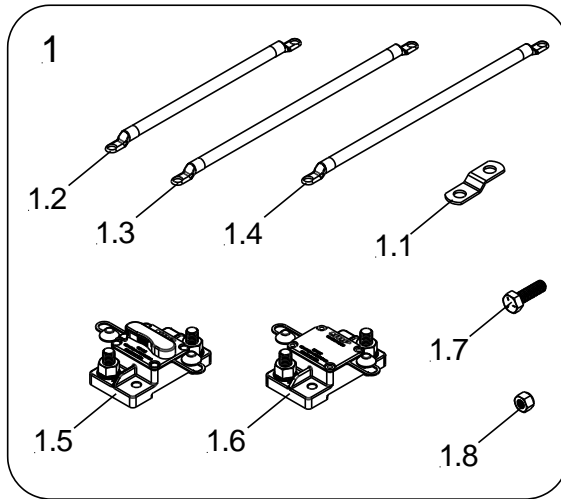
28 – WALK RAMP			
NO.	DESCRIPTION	PART NO.	QTY.
1	Walk Ramp Kit, Cradle, Upstops, Hardware, Galvanized	60-7516-200+G	1
2	Cradle Kit, Galvanized	60-7515-008+G	1
3	Cradle, Galvanized	60-1012-211+G	1
4	Latch Kit	60-7515-006	1
4.1	Slide Stop	60-1009-115	2
4.2	Spring Torsion	60-1011-104	1
4.3	Hook	60-1012-103	1
4.4	Washer, Flat, 1/2"	EK2796	2
4.5	Nut, Nylock, 1/2"-13	EM-707	2
4.6	Button Head Cap Screw, 1/4" -13 X 2.00"	ES3535	2
4.7	Button Head Cap Screw, 1/4" -20 X 5/8"	ES3537	2
4.8	Hex Head Cap Screw, 1/4"-20 X 1.50"	ES3651	1
4.9	Washer, Flat, 1/4" USS, Zinc	EK3218	2
4.10	Nut, Nylock, 1/4"-20, Zinc	EM 722	3
5	Slide And Slide Guard Kit	60-7515-007	1
5.1	Slide Guard	60-1009-112	2
5.2	Walk Ramp Slide Pad	60-1011-151	2
5.3	Button Head Cap Screw, 3/8"-16 X 2.75"	ES3534	2
5.4	Washer, Flat, 3/8", USS, Zinc	EK3216	8
5.5	Nut, Nylock, 3/8"-16, Block Half Height	EM-709	6
5.6	Button Head Cap Screw, 3/8"-16 X 3/4"	ES3460	4
6	Bracket & Hardware	60-1012-203	1
6.1	Nut, Nylock, 3/8"-16, Gr.5, Zinc	EM-708	1
6.2	Washer, Flat, 3/8", USS, Zinc	EK3216	2
6.3	U-Bracket	60-7515-015	1
6.4	Hex Head Cap Screw, 3/8"-16 x 4"	ES4342	1
7	Up Stop Kit	60-7516-005+G	1
7.1	Bumper, UHMW	60-1009-113	1
7.2	Up Stop Formed, Adjustable	60-7516-020	1
7.3	Washer, Flat, 1/2"	EK2796	1
7.4	Flat Head Cap Screw, 1/2"-13 X 1.75"	ES3536	1
7.5	Nut, Nylock, 1/2"-13	EM 689	1

29 Battery Box Kits



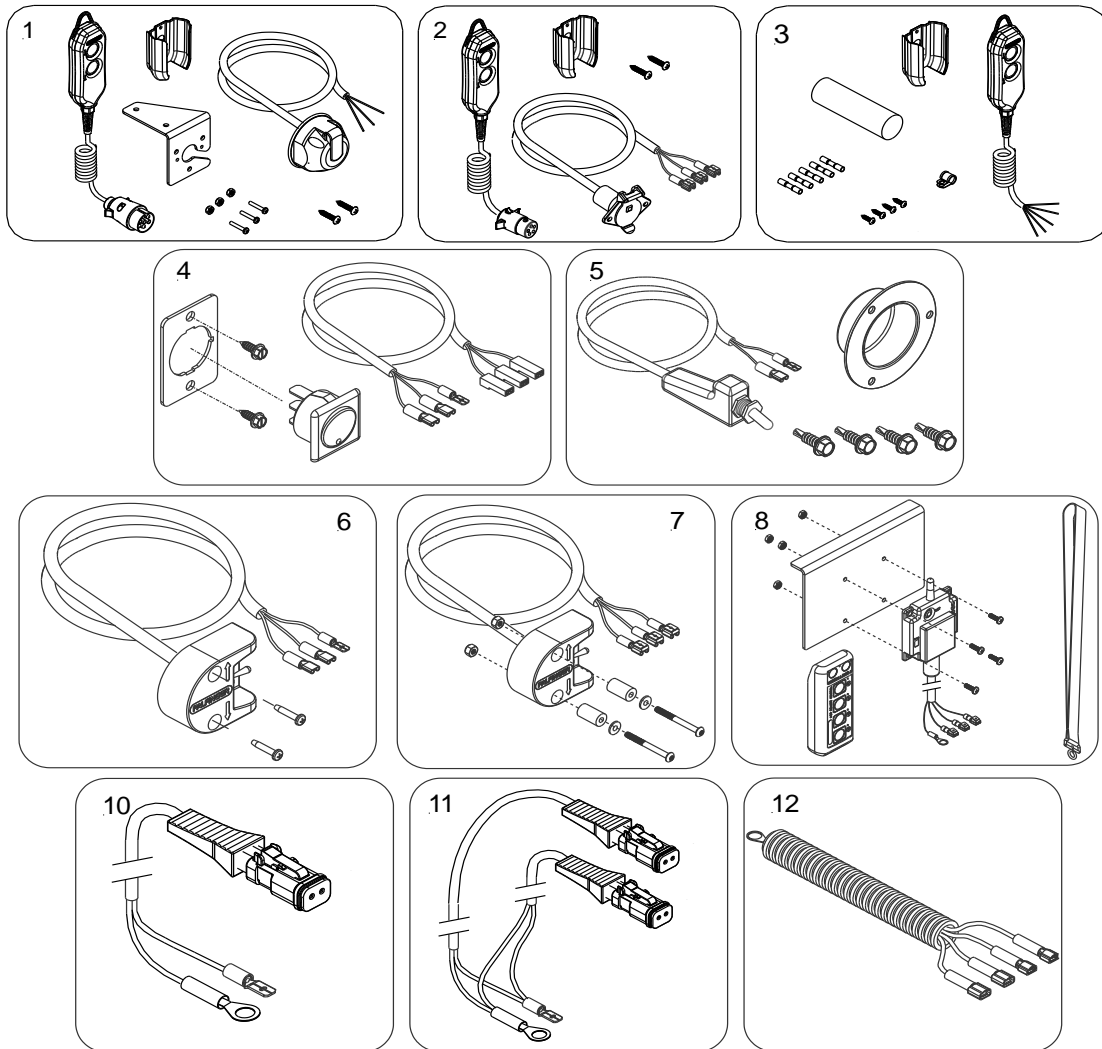
29 – BATTERY BOX KITS			
NO.	DESCRIPTION	PART NO.	QTY.
1	Battery Box Kit, 4-Battery, w/Channels	50-8016-100+G	1
1.1	Battery Box Base, Assembly, Large, Black	50-8016-001+B	1
	Battery Box Base, Assembly, Large, Galvanized	50-8016-001+G	1
1.2	Battery Box Lid Assembly, Aluminum	60-7515-012	1
1.3	Kit, 2-Battery Hold Down	60-7515-151	2
1.4	Nut, 3/8"-16, Gr.5	EM 532	1
1.5	Bus Bar, 2-Battery, Black	KET05916A	1
1.6	Bus Bar, 3-Battery, Black	KET05961A	1
1.7	Bus Bar, 3-Battery, Red	KET05962A	1
1.8	Bus Bar, 2-Battery, Red	KET06062A	1
1.9	Grommet, 7/8" Diameter Hole	EK3504	4
1.10	Washer, Split Lock, 3/8"	EK3238	1
1.11	Nut, Serrated, 3/8"-16; Stainless Steel	EM 781	8
1.12	Hex Head Cap Screw, 3/8"-16x1", Gr. 5, Zinc	ES3446	1
2	Battery Box Kit, 2-Battery	50-8016-200+G	1
2.1	Battery Box, Base, Assembly, 2-Battery	50-8016-201+G	1
2.2	Lid Assembly, Aluminum	60-7517-018	1
2.3	2-Battery Hold Down Kit	60-7515-151	1
2.4	Nut, 3/8"-16, Gr. 5	EM 532	1
2.5	Bus Bar, 2-Battery, Black	KET05916A	1
2.6	Bus Bar, 2-Battery, Red	KET06062A	1
2.7	Grommet, 7/8" Diameter Hole	EK3504	4
2.8	Washer, Split Lock, 3/8"	EK3238	1
2.9	Nut, Serrated, 3/8"-16, Stainless Steel	EM 781	4
2.10	Hex Head Cap Screw, 3/8"-16x1", Gr.5, Zinc	ES3446	1
3	Battery Box Kit, 2-Battery, w/Channels	60-7517-022+G	1
3.1	Battery Box, Base, Assembly, 2-Battery, w/Channels	60-7517-020+G	1
3.2	Lid Assy., Alum	60-7517-018	1
3.3	2-Battery Hold Down Kit	60-7515-151	1
3.4	Nut, 3/8"-16, Gr. 5	EM 532	1
3.5	Bus Bar, 2-Battery, Black	KET05916A	1
3.6	Bus Bar, 2-Battery, Red	KET06062A	1
3.7	Grommet, 7/8" Diameter Hole	EK3504	4
3.8	Washer, Split Lock, 3/8"	EK3238	1
3.9	Nut, Serrated, 3/8"-16, Stainless Steel	EM 781	4
3.10	Hex Head Cap Screw, 3/8"-16x1", Gr.5, Zinc	ES3446	1

30 Trailer/Truck Charge Kits



30 – TRUCK/TRAILER CHARGE KITS			
No.	Description	Part No.	Qty.
1	Truck Kit, 40ft., Electrical	70-1115-100	1
1.1	Bus Bar, Copper	KET06537A	1
1.2	Cable, 2GA, 18", 3/8" Lugs, Red	KET05919A	1
1.3	Cable, 2GA, 74", 3/8" Lugs, Black	KET05925A	1
1.4	Cable, 2GA; 480", 3/8" Lugs, Red	KET06314A	1
1.5	Circuit Breaker, 175a, 3/8" Studs, Manual Reset	70-8114-009	1
1.6	Circuit Breaker, 175a, 3/8" Studs, Auto Reset	70-8114-008	1
1.7	Hex Head Cap Screw, 1/4-20x1.0", Gr.5, Zinc	ES3443	2
1.8	Nut, Nylock 1/4-20, Zinc	EM 722	2
2	Single Pole Kit, Trailer	70-1115-101	1
2.1	Socket, Single Pole	70-8015-019	1
2.2	Cable, 2GA, 18", 3/8" Lugs, Red	KET05919A	1
2.3	Cable, 2GA, 74", 3/8" Lugs, Black	KET05925A	1
2.4	Cable, 2GA; 480", 3/8" Lugs, Red	KET06314A	1
2.5	Hex Head Cap Screw, 5/16-18x1"	ES3724	1
2.6	Circuit Breaker, 175A, 3/8" Studs, Auto Reset	70-8114-008	1
2.7	Washer, Flat, 5/16"	EK3217	1
2.8	Nut, Nylock, 5/16-18	EM 710	1
2.9	Nut, Nylock, 1/4-20 Zinc	EM 722	1
2.10	Hex Head Cap Screw, 1/4-20x1.0", Gr.5, Zinc	ES3443	1
3	Dual Pole Kit, Trailer	70-1115-102	1
3.1	Socket, Dual Pole	70-8015-018	1
3.2	Cable, 2GA, 18", 3/8" Lugs, Red	KET05919A	1
3.3	Cable, 2GA, 480", 3/8" Lugs, Black	KET05701A	1
3.4	Cable, 2GA; 480", 3/8" Lugs, Red	KET06314A	1
3.5	Hex Head Cap Screw, 5/16-18x1"	ES3724	1
3.6	Circuit Breaker 175A, 3/8" Studs, Auto Reset	70-8114-008	1
3.7	Washer, Flat, 5/16"	EK3217	1
3.8	Nut, Nylock, 5/16-18	EM 710	1
3.9	Nut, Nylock, 1/4-20 Zinc	EM 722	1
3.10	Hex Head Cap Screw, 1/4-20x1.0", Gr.5, Zinc	ES3443	1
4	Single & Dual Pole Kit w/Nose Box, Trailer	70-1115-103	1
4.1	Nosebox, Single & Dual Pole Socket	70-8015-020	1
4.2	Cable, 2GA, 18", 3/8" Lugs, Red	KET05919A	1
4.3	Cable, 2GA, 480", 3/8" Lugs, Black	KET05701A	1
4.4	Cable, 2GA; 480", 3/8" Lugs, Red	KET06314A	1
4.5	Hex Head Cap Screw, Tapping, 5/16-18x1.25"	ES3733	1
4.6	Circuit Breaker 175A, 3/8" Studs, Auto Reset	70-8114-008	1
4.7	Nut, Nylock 1/4-20 Zinc	EM 722	1
4.8	Hex Head Cap Screw, 1/4-20x1.0", Gr.5, Zinc	ES3443	1
5	Circuit Breaker 175A, 1/4" Studs, Manual Reset	70-8115-000	1
6	Circuit Breaker 175A, 1/4" Studs, Auto Reset	70-8115-001	1
7	Circuit Breaker 150A, 3/8" Studs, Manual Reset	70-8115-002	1
8	Circuit Breaker 150A, 3/8" Studs, Auto Reset	70-8115-003	1
9	Circuit Breaker 150A, 1/4" Studs, Manual Reset	70-8115-004	1
10	Circuit Breaker 150A, 1/4" Studs, Auto Reset	70-8115-005	1

31 Controls

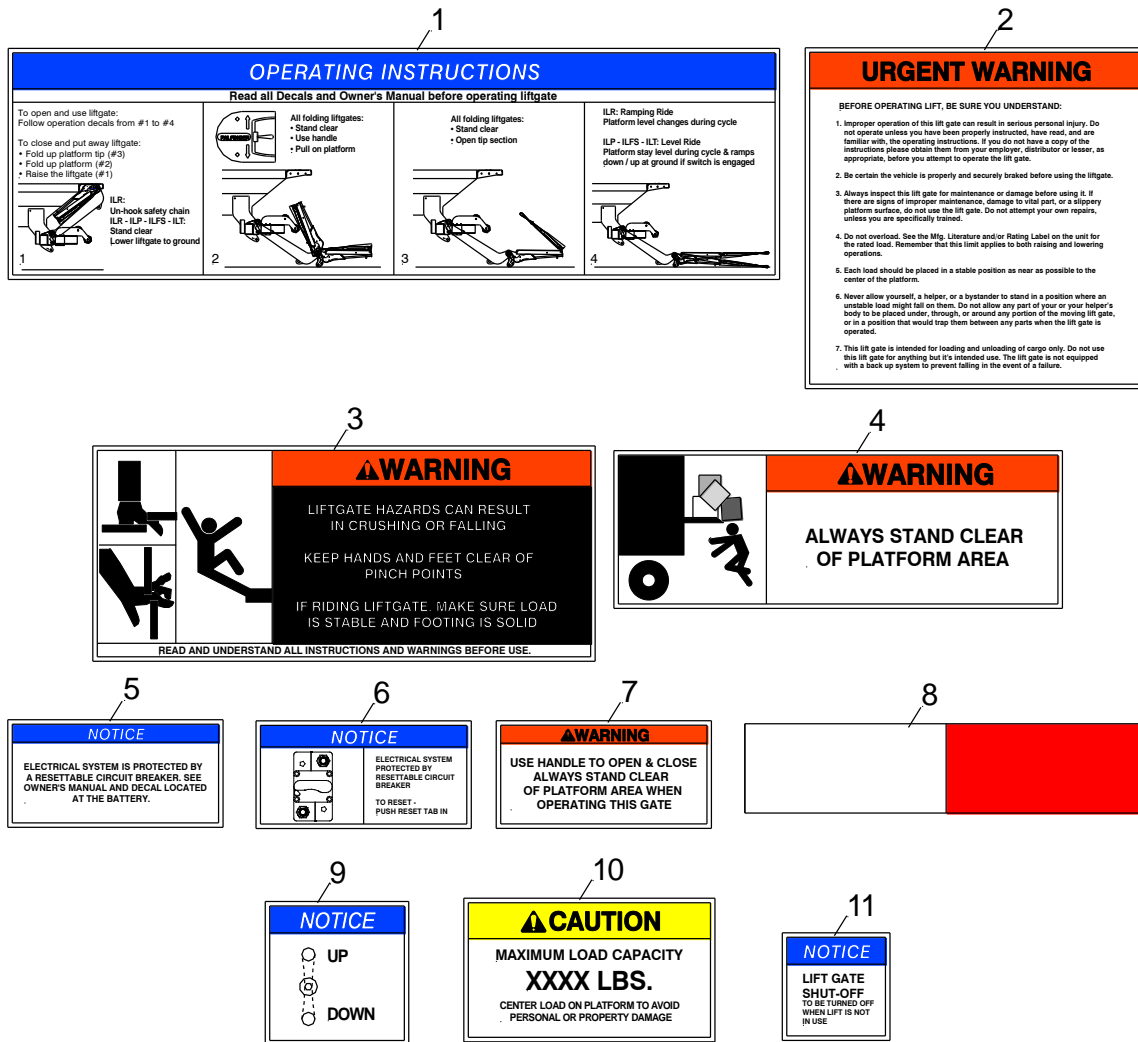


31 - CONTROLS			
No.	Description	Part No.	Qty.
1	2-Button Hand Control Kit, Plug and Socket, Hella	70-7516-100	1
2	2-Button Hand Control Kit, Plug & Socket, Coil Cord	70-7516-009	1
3	2-Button Hand Control Kit	70-7519-020	1
4	Cab Shut-off Switch Kit	70-0312-100	1
5	Switch, Trailer Kit, ON-OFF	70-8015-008	1
6	Toggle Switch Kit, Up/Down, Primary	P-2004565	1
7	Toggle Switch Kit, Up/Down, Secondary (Optional)	70-8016-050	1
8	Wireless Remote Kit, 2-Way Operation	70-8015-006	1
9	Harness, Solenoid Valve, 4,05m [13 ft.]	P-67254198	1
10	Cable, Valve, 1,85m [6 ft.]	P-2032874	1
11	Harness, Solenoid Valve, Double, Spade and Ring Terminals, 2,85m [9 ft.]	P-2028281	1
12	Harness, Power Down	70-1011-100	1

Palfinger Interlift, LLC.
 15939 Piuma Ave, Cerritos, CA 90703
 Tel: (888) 774-5844, Fax: (562) 924-8318

Palfinger Interlift, LLC.
 572 Whitehead Road, Trenton, NJ 08619
 Tel: (609) 587-4200, Fax: (609) 587-4201

32 Decals



32 - DECALS			
NO.	DESCRIPTION	PART NO.	QTY.
1	Operational Instruction	ATG-ILR-ILFS	1
2	Urgent Warning Decal	ATG-URGWA	1
3	Warning- Liftgate Hazards	ATG-WLH	2
4	Warning- Stand Clear	ATG-PLAT	2
5	Electrical System	ATG-RESET	1
6	Circuit Breaker, Blue	ATG-BKR	1
7	Warning, Use Handle To Open	ATG-WNG	1
8	Conspicuity Tape, 2"X82" (Roll)	85-1114-003	1
9	Up/Down MBB OS# 1282134	ATG-UD	1
10	Liftgate Capacity	ATG-XXXX*	2
11	Liftgate Shut Off	ATG-CAB	1

*XXXX = LIFTGATE CAPACITY (LBS) [EXAMPLE PART NUMBER: ATG- 3000]

Palfinger Interlift, LLC.
 15939 Piuma Ave, Cerritos, CA 90703
 Tel: (888) 774-5844, Fax: (562) 924-8318

Palfinger Interlift, LLC.
 572 Whitehead Road, Trenton, NJ 08619
 Tel: (609) 587-4200, Fax: (609) 587-4201

