

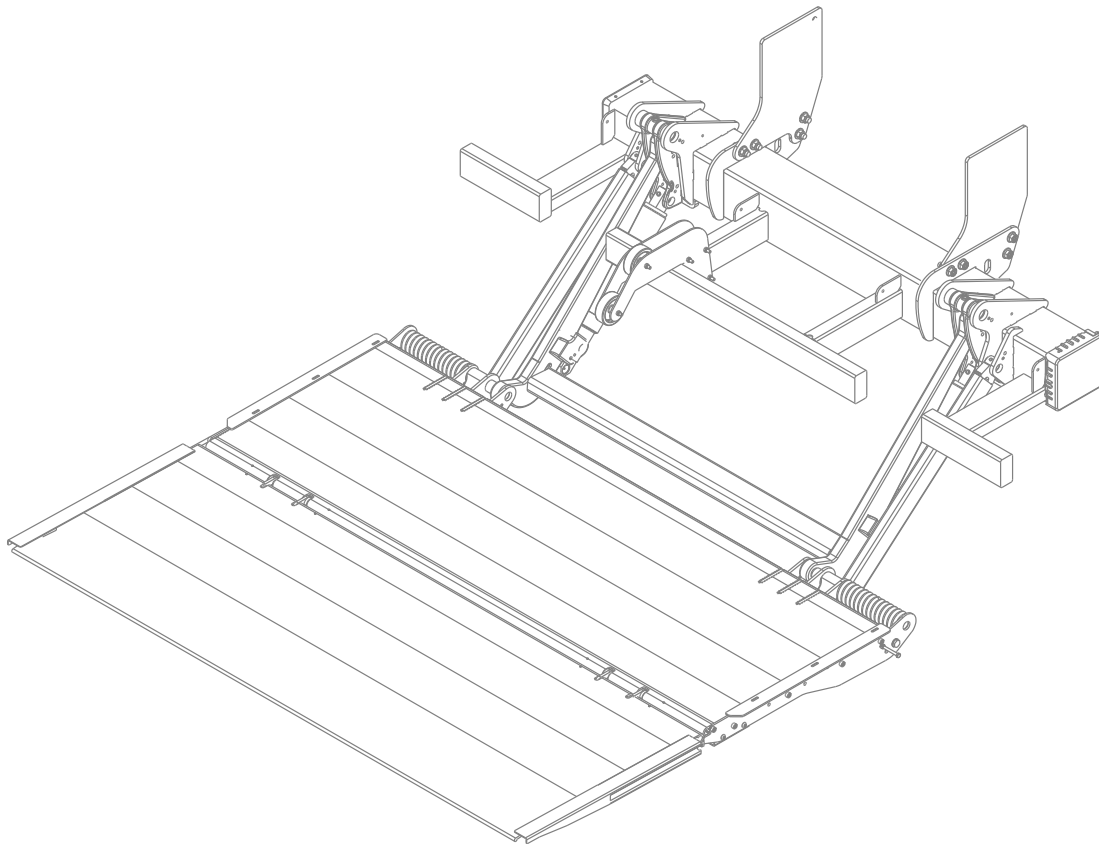
INTERLIFT

BY PALFINGER

PARTS MANUAL

ILT 35, 3500 lbs. Capacity

ILT 40, 4000 lbs. Capacity



ILT 35/40 Parts Manual
Document Part Number: 90-1014-000 / 14-681_90-00_00-00
ECN-M1723, Rev. 2.0, 12-11-23
Copyright © 2023 Palfinger Interlift, LLC.
All rights reserved.

Information in this document is subject to change without notice.
Visit www.palfinger.com for up to date information and notifications.

If you received this product with damaged or missing parts,
contact INTERLIFT Liftgates at (888)-774-5844

Parts Order/Inquiries
liftgateparts@palfinger.com

Technical Support
technicalapplications@palfinger.com



BY **PALFINGER**

15939 Piuma Ave.
Cerritos, CA 90703
Tel (888) 774-5844
Fax (562) 924-8318



BY **PALFINGER**

572 Whitehead Road.
Trenton, NJ 08619
Tel (609) 587-4200
Fax (609) 587-4201

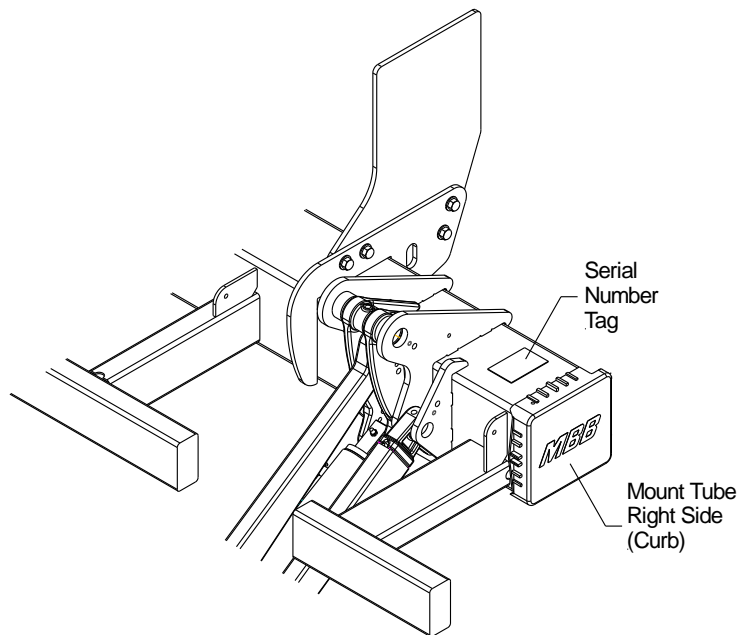
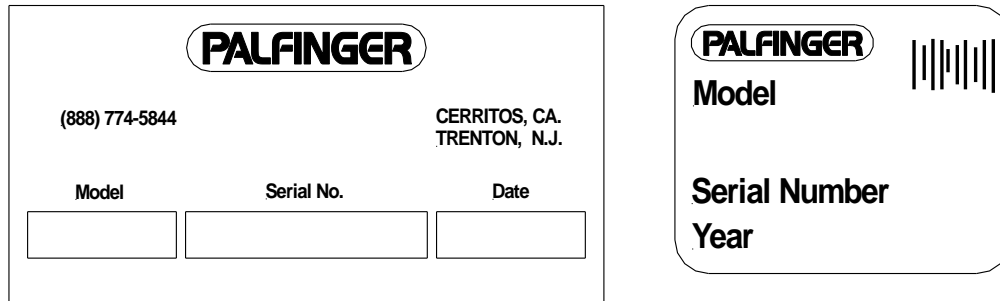
Parts Orders:

- There is a \$50.00 minimum parts order.
- Ground freight is free for spare parts orders exceeding \$1,500.00, excluding platforms, runners, mount frames and other main assemblies.
- Contact parts department, our hours are from 8 am EST in NJ until 5 pm PST in CA
- California: (888) 774-5844, or (562)924-8218, ext. 97, 29 , or 15; Fax: (562) 924-8318.
New Jersey: at (609) 587-4200; Fax: (609) 587-4201.
E-mail orders or inquiries for both locations to: liftgateparts@palfinger.com
- Next Day Air shipments must be received by 2:30 pm local time at either location.
- To ensure quick delivery when placing an order, please be sure to include: liftgate model, serial number, part number, and description in accordance with spare Parts List.
- Any parts being returned must have Return Merchandise Authorization (RMA) number, copy of invoice and a detailed packing list of returned parts. RMA numbers will be issued by parts department and are valid for 30 days. All returned RMA parts must be returned to INTERLIFT Liftgates by prepaid freight or by call tag.
- Parts must be returned in NEW CONDITION. To receive credit on returned parts, the original purchase date must be within 6 month and authorized by INTERLIFT Liftgates.
- Returned parts are subject to a 20% restocking charge.
- Any part received not in new condition will be subject to inspection and possible refusal. All INTERLIFT Liftgates parts are covered for one year from date of purchase against defects in material and workmanship.
- Warranty Coverage: part replacement only.

Important Liftgate Information:

1. Liftgate serial information can be found on the right (curb side) side of the mount tube as shown below. Please have the liftgate information ready when ordering parts to assure parts are replaced accurately.

Serial Number Tags



2. The finish for many parts differs from liftgate to liftgate. It is important to specify what type of finish the replacement part(s) has. INTERLIFT Liftgates uses galvanized, galvanized, powder coat, paint, and zinc coated components on the different models of liftgates. If not sure what finish is on the part(s), mention this to the Parts Department Representative.

Table of Contents

1 Frame.....6

2 Pins & Bushings.....8

 2.1 Pins & Bushings (After 2018).....8

 2.2 Pins & Bushings (Prior 2018).....10

3 Lift Cylinders12

 3.1 Power Down Cylinder (After 2019)12

 3.2 Power Down Cylinder (Before 2019)12

 3.3 Gravity Down Cylinder13

 3.4 Lift Cylinders – Gravity Down (Energy) – Discontinued 201114

 3.5 Lift Cylinders – Power Down (MBB) – Discontinued 201114

4 Aluminum Platform16

5 Steel/Aluminum Platform18

6 Cart Stops - Aluminum Platforms20

7 Bed Extension21

8 Hydraulic Power Unit22

 8.1 After January 201322

 8.2 Discontinued January 201323

 8.3 Discontinued January 201324

9 Hydraulic Hoses25

 9.1 Gravity Down25

 9.2 Power Down (After 2019)26

 9.3 Power Down (Prior 2019)27

10 Dock Bumpers28

11 Dock Bumper – Bumper Pads30

12 Dock Bumper - Light Kits32

13 Dock Bumper – Steps34

14 Dock Bumpers - Walk Ramp Extensions35

15 Walk Ramp36

16 Battery Box Kits38

17 Electrical40

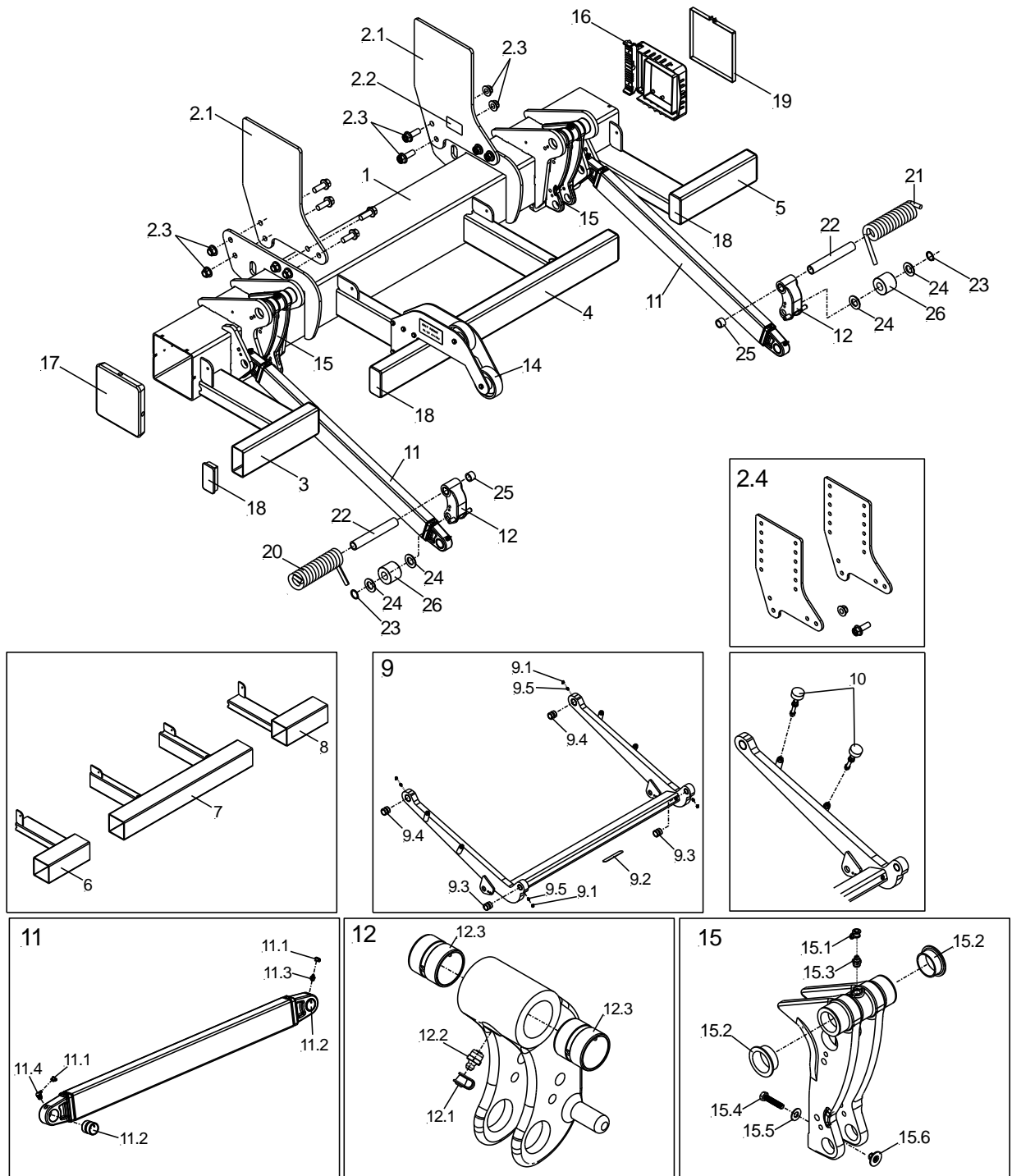
18 Trailer/Truck Charge Kits42

19 Controls.....44

20 Decals.....45

1 Frame

INTERLIFT Liftgates use galvanized, galvanized, powder coat, paint, zinc, and other finishes on different liftgate models. It is important to specify what type of finish is required for the ordered replacement parts.



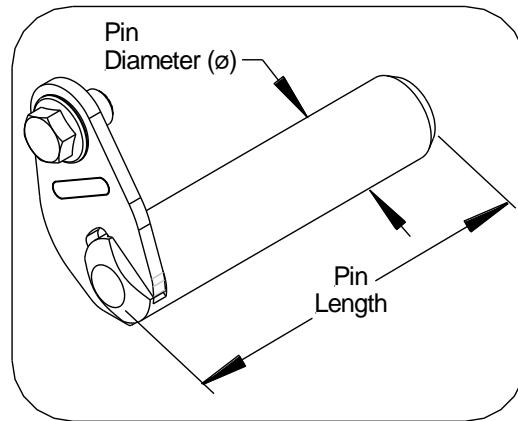
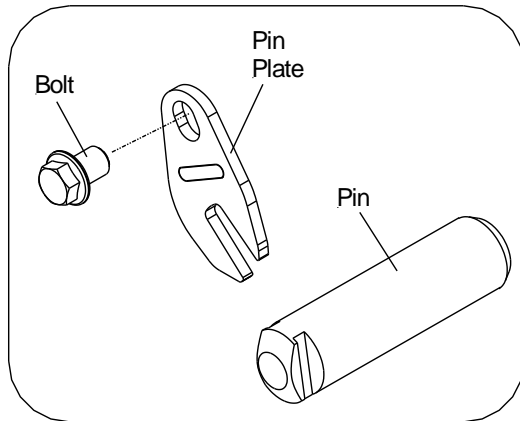
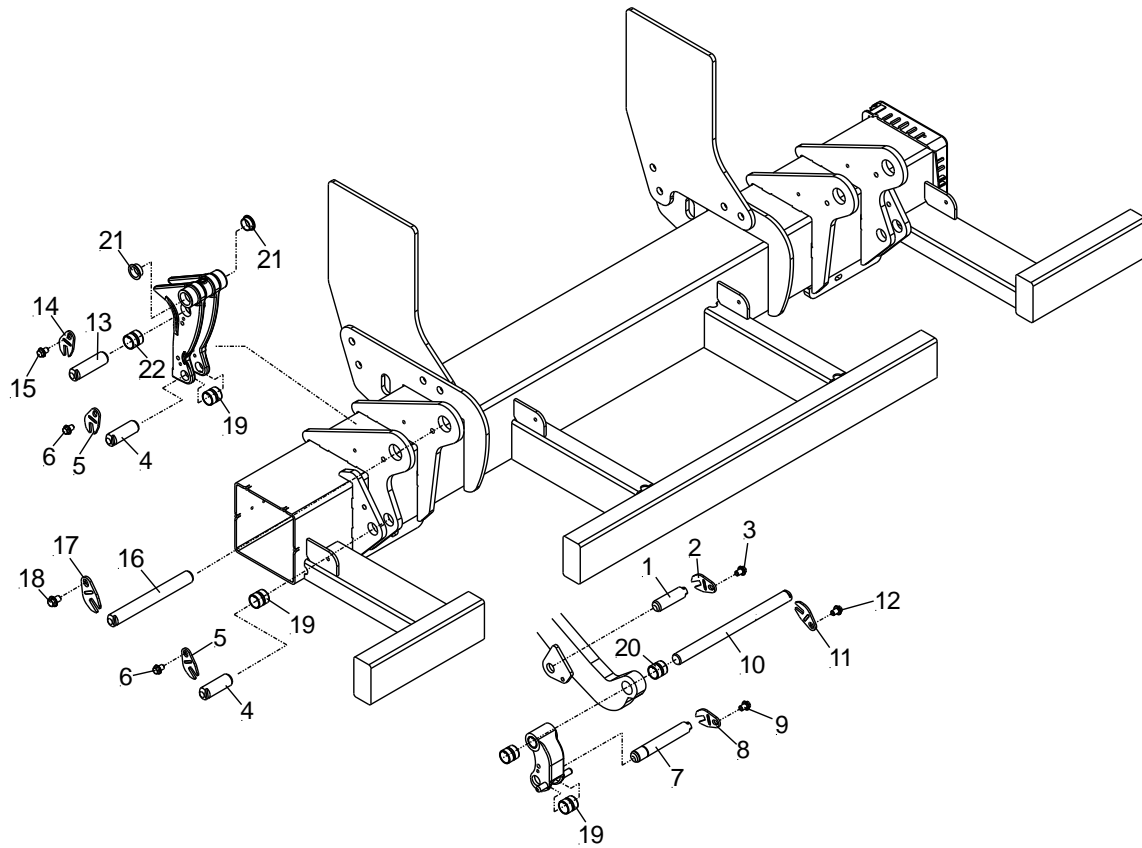
Palfinger Interlift, LLC.
15939 Piuma Ave, Cerritos, CA 90703
Tel: (888) 774-5844, Fax: (562) 924-8318

Palfinger Interlift, LLC.
572 Whitehead Road, Trenton, NJ 08619
Tel: (609) 587-4200, Fax: (609) 587-4201

1 - FRAME			
No.	Description	Part No.	Qty.
1	Frame, Black	ML01-1013-200+B	1
	Frame, Galvanized	01-1013-200+G	1
2	Mount Plate Kit, Black	06-1019-000+B	1
2.1	Mount Plate, Weld-On	06-1019-001	2
2.2	Decal, Torque Specification	85-1015-000	2
2.3	Bolt Kit, Mount Plate	65-7518-100	1
2.4	Mount Plate, (Discontinued Feb. 2019) Weld-On	65-1015-000+B	2
3	Bumper, Standard, Left Side (Street), Black	01-1017-001	1
	Bumper, Standard, Left Side (Street), Galvanized	01-1017-001+G	1
4	Bumper, Standard, Center, Black	01-1017-002	1
5	Bumper, Standard, Right Side (Curb)	01-1017-003	1
	Bumper, Standard, Right Side (Curb), Galvanized	ML01-1017-003+G	1
6	Bumper, DOT, Left Side (Street)	01-1017-004	1
7	Bumper, DOT, Center	01-1017-005	1
8	Bumper, DOT, Right Side (Curb)	01-1017-006	1
9	Lift Arm Assembly, 900mm X 1310mm, Black	10-1009-000	1
	Lift Arm Assembly, 900mm X 1310mm, Galvanized	10-1009-000+G	1
9.1	Cap, Red, Grease Zerk	P-1191680	4
9.2	Name Plate, Palfinger	85-0315-100	1
9.3	Bushing, 28mm IDx32mm ODx36mm	ELG1036	2
9.4	Bushing, 36mm IDx40mm ODx36mm	ELG1037	2
9.5	Zerk Fitting, M10x1	EA-005	4
10	Rubber Snubber, Adjustable	P-1128624	4
11	Parallel Arm Assembly, Casted, Bushings, Grease Zerks, 900mm	15-1014-002+B	1
	Parallel Arm Assembly, Casted, Bushings, Grease Zerks, 900mm	15-1014-002+G	1
11.1	Cap, Red, Grease Zerk	P-1191680	2
11.2	Bushing, 28mm ID X 32mm OD X 31mm Bronze	ELG1039	2
11.3	Zerk Fitting, M10x1	EA-005	2
11.4	Grease Fitting, 90°, M10 x 1 mm	EA-023	1
12	Shackle Assembly, Casted, 120mm	25-1014-003+G	1
12.1	Cap, Red, Grease Zerk	P-1191680	1
12.2	Zerk Fitting, M10x1	EA-005	1
12.3	Bushing, 28mm ID X 32mm OD X 31mm, Bronze	ELG1039	2
14	Parting Wheel Kit, Black	60-1009-000	1
	Parting Wheel Kit, Galvanized	60-1009-000+G	1
15	Swing Fixture Assembly, Galvanized	05-1013-100+G	2
15.1	Cap, Red, Grease Zerk	P-1191680	1
15.2	Bushing, With Flange, 36mm	P-1278682	4
15.3	Zerk Fitting, M10x1	EA-005	1
15.4	Hex Head Cap Screw, 1/4-20x1.25", GR 5, Zinc	ES3643	2
15.5	Washer, Flat, 1/4"	EK3218	2
15.6	T-Nut, 1/4-20, with Prongs	EM 770	2
16	Rubber Cover, With Hinge For Control System	P-2029906	1
17	Rubber Cover	P-68483018	1
18	Cap, Standard Bumper, 2"X4"	60-1007-401	6
19	Rubber Cover Clamp, 10"	EZ7230	1
20	Coil Spring, Left Side (Street)	20-1016-002	1
21	Coil Spring, Right Side (Curb)	20-1016-001	1
22	Delrin Insert, 40mm x 5mm x 192mm	P-1228526	2
23	Retainer Ring	P-66681947	2
24	Washer, 28mm ID x 50mm OD x 4mm	EK1090	4
25	Sleeve, Steel	21-1009-103	2
26	Roller, Nylon	25-1014-002	2

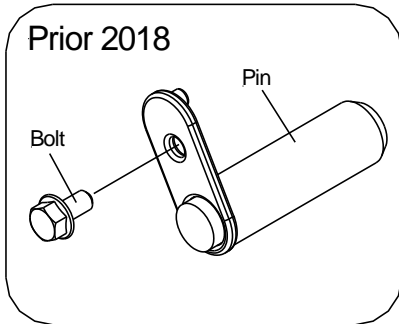
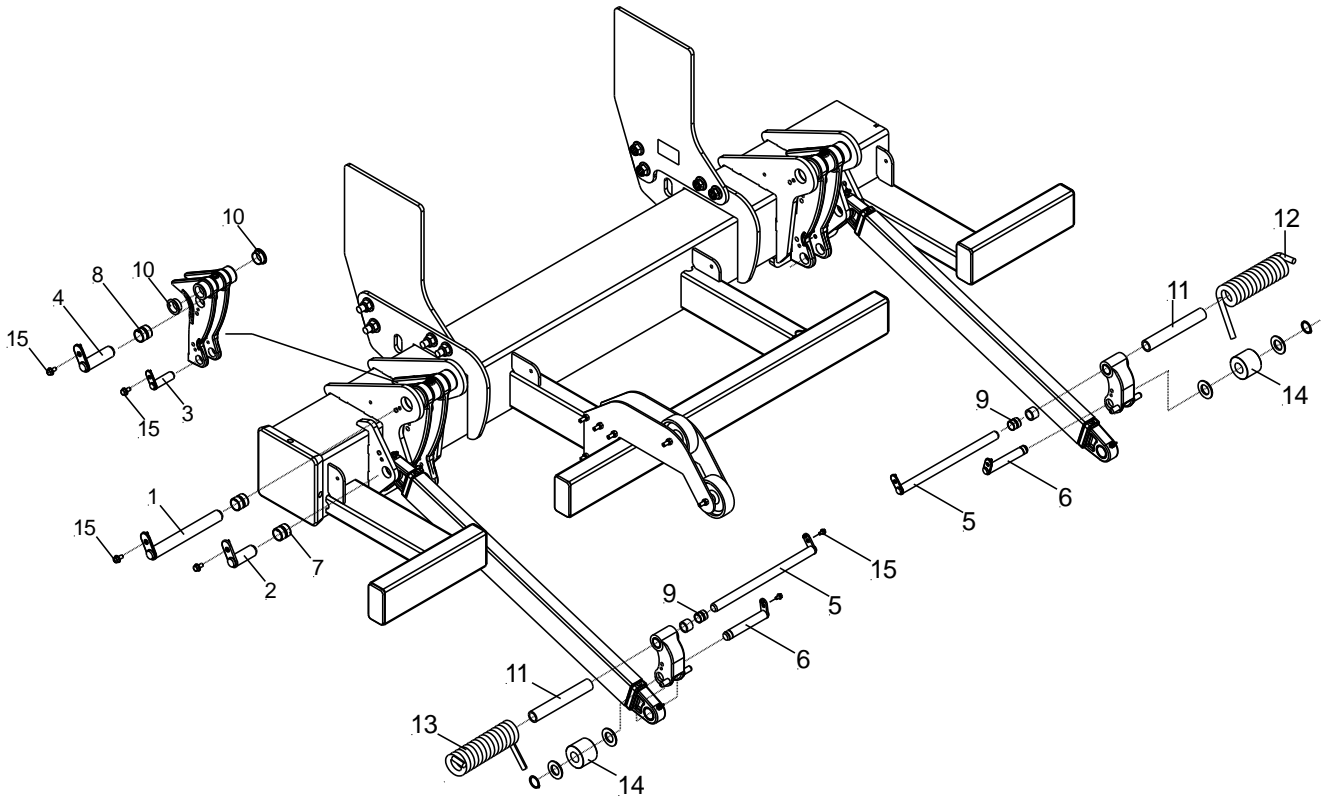
2 Pins & Bushings

2.1 Pins & Bushings (After 2018)



2.1 – PINS AND BUSHINGS (AFTER 2018)			
No.	Description	Part No.	Qty.
1	Pin, $\varnothing 28 \times 70$ mm [$\varnothing 1.1" \times 2.7"$], SS	ML2054047	2
2	Pin Plate, Small	2028340	2
3	Bolt, M12x16mm	2039050	2
4	Pin, $\varnothing 28 \times 85$ mm [$\varnothing 1.1" \times 3.3"$], SS	2039536	4
5	Pin Plate, Small	2028340	4
6	Bolt, M12x16mm	2039050	4
7	Pin, $\varnothing 28 \times 182$ mm [$\varnothing 1.1" \times 7.1"$], SS	2036460	2
8	Pin Plate, Small	2028340	2
9	Bolt, M12x16mm	2039050	2
10	Pin, $\varnothing 28 \times 460$ mm [$\varnothing 1.1" \times 18.1"$], SS	2041593	2
11	Pin Plate, Small	2028340	2
12	Bolt, M12x16mm	2039050	2
13	Pin, $\varnothing 36 \times 93$ mm [$\varnothing 1.0" \times 3.6"$], SS	2039099	2
14	Pin Plate, Large	2027558	2
15	Bolt, M12x16mm	2039050	2
16	Pin, $\varnothing 36 \times 210$ mm [$\varnothing 1.0" \times 8.2"$], SS	2039105	2
17	Pin Plate, Large	2027558	2
18	Bolt, M12x16mm	2039050	2
19	Bushing, 28mm ID X 32mm OD X 31mm (Shackle, Parallel Arm)	ELG1039	8
20	Bushing, 28mm ID X 32mm OD X 36mm (Liftarm/Platform)	ELG1036	2
21	Bushing, 36mm Swing Fixture, w/Flange (Swing Arm)	P-1278682	4
22	Bushing, 36mm ID X 40mm OD X 36mm (Liftarm/Swing Arm)	ELG1037	2
23	Pin Kit, SS	75-1018-100	1
24	Bushing Kit	75-1018-200	1

2.2 Pins & Bushings (Prior 2018)



Pins	
Part No.	Dimensions (D X L)
2003651	28MMX74MM 1-1/8"X3-7/8"
1326307	28MMX99MM 1"X2-1/4"
1354169	28MMX180MM 1"X2-3/4"
1407655	28MMX453MM 1"X2-7/8"
1350394	36MMX91MM 1"X4-7/8"
1358176	36MMX206MM 1-1/8"X5-1/8"

Bushings	
Part No.	Dimensions (ID/OD X L)
ELG1036	28MM/32MMX36MM 1-1/8"/1-1/4"X1-3/8"
ELG1037	36MM/40MMX36MM 1-3/8"/1-1/2"X1-3/8"
ELG1039	28MM/32MMX31MM 1-1/8"/1-1/4"X1-1/4"

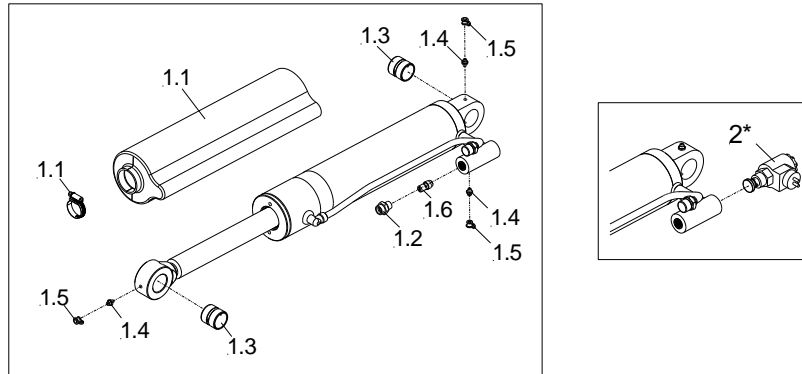
Palfinger Interlift, LLC.
 15939 Piuma Ave, Cerritos, CA 90703
 Tel: (888) 774-5844, Fax: (562) 924-8318

Palfinger Interlift, LLC.
 572 Whitehead Road, Trenton, NJ 08619
 Tel: (609) 587-4200, Fax: (609) 587-4201

2 – PINS & BUSHINGS (PRIOR 2018)			
No.	Description	Part No.	Qty.
1	Pin, 36mm x 208mm, Swinging Fixture, Tube	P-1358176	2
2	Pin, 28mm x 74mm, Parallel Arm, Tube ; Lift Cylinder, Lift Arm	P-2003651	2
3	Pin, 28mm x 99mm, Lift Cylinder, Swinging Fixture	P-1326307	2
4	Pin, 36mm x 78mm, Swinging Fixture, Lift Arm	P-1350394	2
5	Pin, 28mm x 453mm, Platform, Shackle, Lift Arm	P-1353966	2
6	Pin Incl. Roller Kit	P-1405023	1
7	Bushing, 28mm ID x 32mm OD x 31mm, Shackle, Parallel Arm	ELG1039	2
8	Bushing, 36mm ID x 40mm OD x 36mm, Lift Arm, Tube	ELG1037	2
9	Bushing, 28mm ID x 32mm OD x 36mm, Lift Arm	ELG1036	2
10	Bushing w/Flange 36mm, Swinging Fixture	P-1278682	2
11	Torsion Spring Delrin Insert, (Spring) 40mmx5mmx192mm	P-1228526	2
12	Coil Spring, Right Side, (Curb)	20-1016-001	1
	Coil Spring, Right Side, (Curb), Prior 2016	P-2014616	1
13	Coil Spring – Left Side, (Driver)	20-1016-002	1
	Coil Spring – Left Side, (Driver), Prior 2016	P-2014617	1
14	Roller, Nylon, Steel	25-1014-002	2
15	Bolt, Pin Lock, M8x1.25x16mm	ES1451	12
16	Pin Kit	P-2035571	1
17	Bushing Kit	P-2035663	1

3 Lift Cylinders

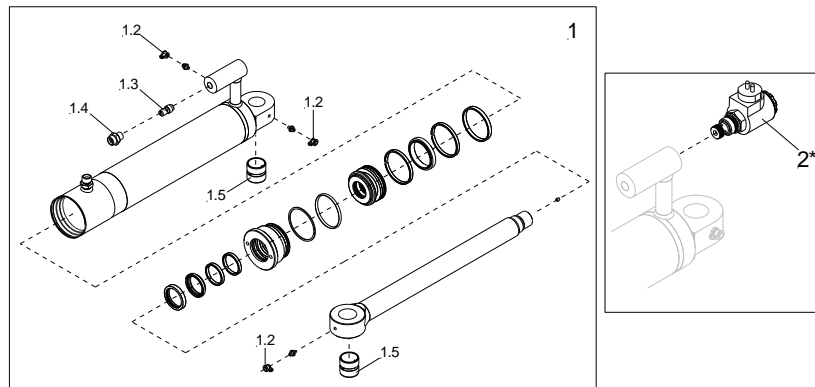
3.1 Power Down Cylinder (After 2019)



3.1 – POWER DOWN CYLINDER (AFTER 2019)			
No.	Description	Part No.	Qty.
1	Cylinder, Power Down, 63mm (After 2019)	40-1015-200	1
1.1	Cylinder Rubber Boot Kit	ML40-0320-010	1
1.2	Adapter, 1/4" BSP X 10L	EA6236	1
1.3	Bushing, 28mm ID x 32mm OD x 31mm, Bronze	ELG1039	2
1.4	Grease Zerk Fitting, M10X1X15.3mm	EA-005	2
1.5	Cap, Zerk Fitting	P-1191680	2
1.6	Restrictor, 4 L/min (No. 4)	P-1363828	1
2*	Release Valve, 12V, Single Lock	P-67282345	1

* Release Valve is sold separately.

3.2 Power Down Cylinder (Before 2019)



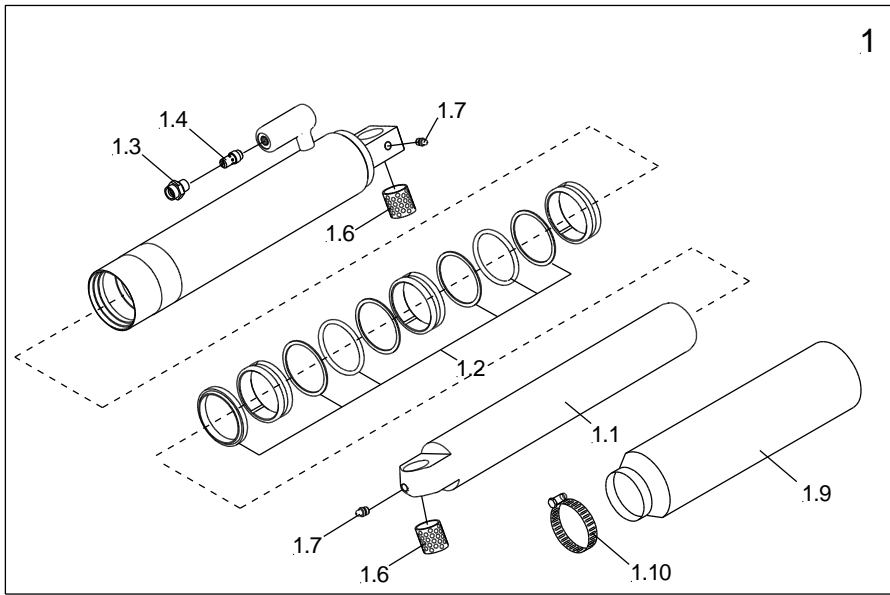
3.2 – POWER DOWN CYLINDER			
No.	Description	Part No.	Qty.
1	Lift Cylinder Assembly, Power Down, 63mm (Prior 2019)	40-1015-200	1
1.1	Cylinder; 63mm Double Acting	40-1015-100	1
1.2	Cap, Zerk Fitting	P-1191680	1
1.3	Restrictor, 4L/Min	P-1363828	1
1.4	Adapter, 1/4 " BSP X 10L – 4L/Min	EA6236	1
1.5	Bushing, 28mm ID X 32mm OD, 31mm L	ELG1039	1
2	Release Valve, 12V, Single Lock	P-67282345	1

* Release Valve is sold separately.

Palfinger Interlift, LLC.
 15939 Piuma Ave, Cerritos, CA 90703
 Tel: (888) 774-5844, Fax: (562) 924-8318

Palfinger Interlift, LLC.
 572 Whitehead Road, Trenton, NJ 08619
 Tel: (609) 587-4200, Fax: (609) 587-4201

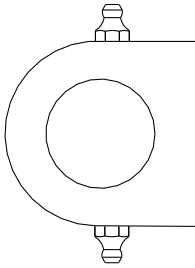
3.3 Gravity Down Cylinder



3.2 – GRAVITY DOWN LIFT CYLINDER			
No.	Description	Part No.	Qty.
1	Lift Cylinder Assembly, Gravity Down, 63mm	P-2016765	1
1.1	Piston Rod	P-2034342	1
1.2	Rebuild Kit	P-1407784	1
1.3	Adaptor / Hose Fitting, 10L-M To No. 4	EA6236	1
1.4	Restrictor No. 4	P-1363828	1
1.6	Bushing, 28mm ID X 32mm OD, 31mm L	ELG1039	1
1.7	Grease Zerk, M10x1	P-2019653	1
1.8	Red Cap	P-1191680	1
1.9	Sleeve	P-2026078	1
1.10	Clamp 50 - 70 / 9 (In Mm)	P-68430828	1
2*	Release Valve, 12V, Single Lock	P-67282345	1

*** Release Valve is sold separately.**

3.4 Lift Cylinders – Gravity Down (Energy) – Discontinued 2011

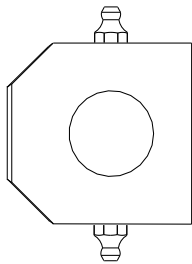


Cylinder Clevis

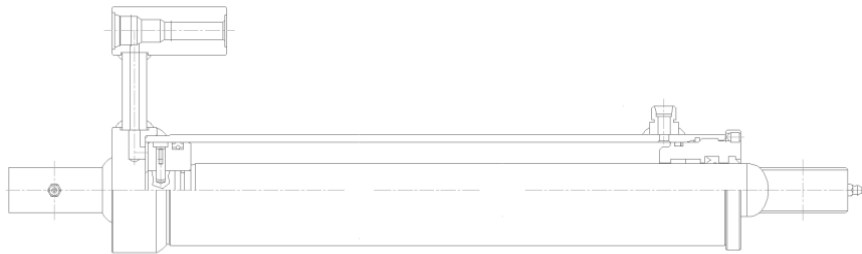


3.3 – LIFT CYLINDER - Energy			
No.	Description	Part No.	Qty.
1	Lift Cylinder Assembly, Gravity Down	40-1411-100	1

3.5 Lift Cylinders – Power Down (MBB) – Discontinued 2011



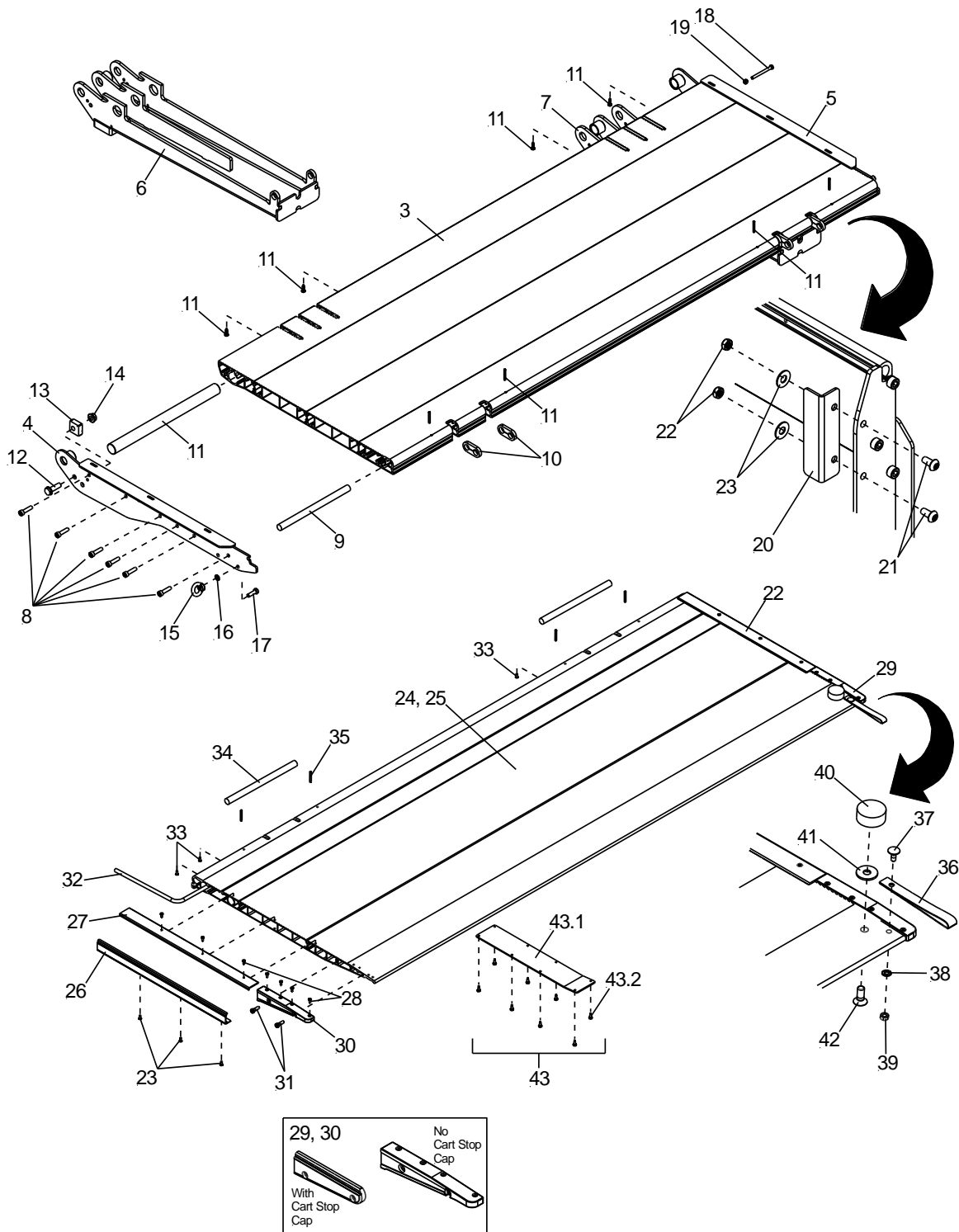
Cylinder Clevis



3.4 – LIFT CYLINDER - MBB			
No.	Description	Part No.	Qty.
1	Lift Cylinder Assembly, Gravity Down	P-2022849	1

NOTES

4 Aluminum Platform



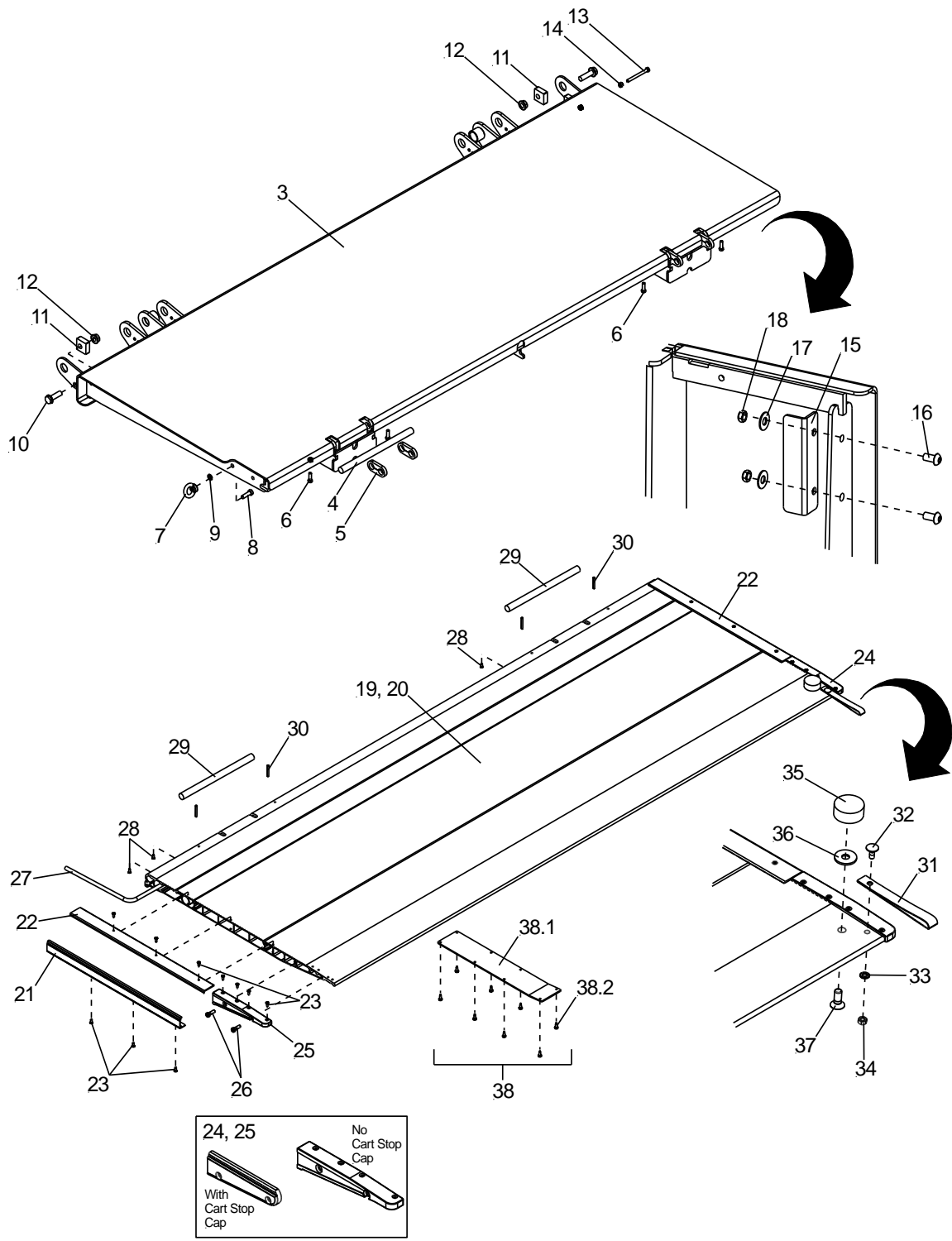
Palfinger Interlift, LLC.
15939 Piuma Ave, Cerritos, CA 90703
Tel: (888) 774-5844, Fax: (562) 924-8318

Palfinger Interlift, LLC.
572 Whitehead Road, Trenton, NJ 08619
Tel: (609) 587-4200, Fax: (609) 587-4201

4 – ALUMINUM PLATFORM			
No.	Description	Part No.	Qty.
1	Platform Assembly , Aluminum Main & Tip, No Cart Stops	20-1009-000	1
2	Platform Assembly , Aluminum Main & Tip, With Cart Stops	20-1009-010	1
3	Main Assembly, Aluminum	21-1009-000	1
4	Side Cover, Steel, Drivers Side	21-1009-400	1
5	Side Cover, Steel, Curb Side	21-1009-300	1
6	Tunnel, Driver Side	21-1009-110	1
7	Tunnel, Curb Side	21-1009-120	1
8	Socket Head Cap Screw, M10 - 1.5 X 40 mm	ES3463	1
9	Pin, Platform Hinge	P-67264894	1
10	Plate, Platform Hinge	20-1007-101	1
11	Split Pin, Platform Hinge	1421757	1
12	Hex Head Cap Screw, M14 - 1.5 X 45 mm	ES1588	1
13	Plate, Adjustment For Torsion Spring	60-1007-301	1
14	Nut, Flange, M14 - 1.5	EM 711	1
15	Ring Nut, M10 - 1.5	4000297	1
16	Washer, Split Lock, M10	1072121	1
17	Hex Head Cap Screw, M10 - 1.5 X 25 mm	4000299	1
18	Hex Head Cap Screw, 5/16 - 18 X 3.25"	1030122	1
19	Nut, Nylock, 5/16 - 18	EM 710	1
20	Plate, Platform Handle	20-1012-001	1
21	Button Head Cap Screw, 3/8 - 16 X 0.75"	ES3460	1
22	Nut, Thin, Nylock, 3/8 - 16	EM709	1
23	Washer, Flat, 3/8	EK3216	1
24	Tip Assembly, Aluminum, With Cart stops	P-2034858	1
25	Tip Assembly, Aluminum, No Cart stops	P-2033962	1
26	Side Cap Profile	P-9832521700	1
27	Top Profile	P-1244631	2
28	Screw, M5x12	P-2004486	20
29	Cap, Tip, Plastic, Right Side (<i>Curb</i>), Gray, Platform With No Cart Stops	P-9081336000	1
	Cap, Tip, Plastic, Right Side (<i>Curb</i>), Black, Platform With Cart Stops	P-9083239000	1
30	Cap, Tip, Plastic, Left Side (<i>Driver</i>), Gray, Platform With No Cart Stops	P-9081336010	1
	Cap, Tip, Plastic, Left Side (<i>Driver</i>), Black, Platform With Cart Stops	P-9083238000	1
31	Socket Head Cap Screw, M8x25	P-66310809	4
32	Torsion Bar Kit, L-11mm	P-2006410	1
33	Rivet, Blind, 4,8x11	ML1019254	3
34	Platform Pin	P-67264894	2
35	Split Pin, 5mm X40mm	1421757	4
36	Handle Strap Kit	1201681	1
37	Carriage Bolt, M8x20mm	ML2023828	1
38	Washer, M8	EK2929	1
39	Nut, M8	EM 003	1
40	Rubber Snubber Pad	60-7514-002	1
41	Washer, M12	ML67245237	1
42	Flat Head Cap Screw, M12x30mm	2018782	1
43	Reinforcement Plate Kit, 54"-60" Platforms	22-7517-005	1
43.1	Plate, Formed, Reinforcement	22-7517-003	1
43.2	Rounded Head Self Tapping Screw, #10-16x 5/8", Zinc	ES3971	8

Note: Shackles, pins, and springs must be added when buying a new platform.

5 Steel/Aluminum Platform



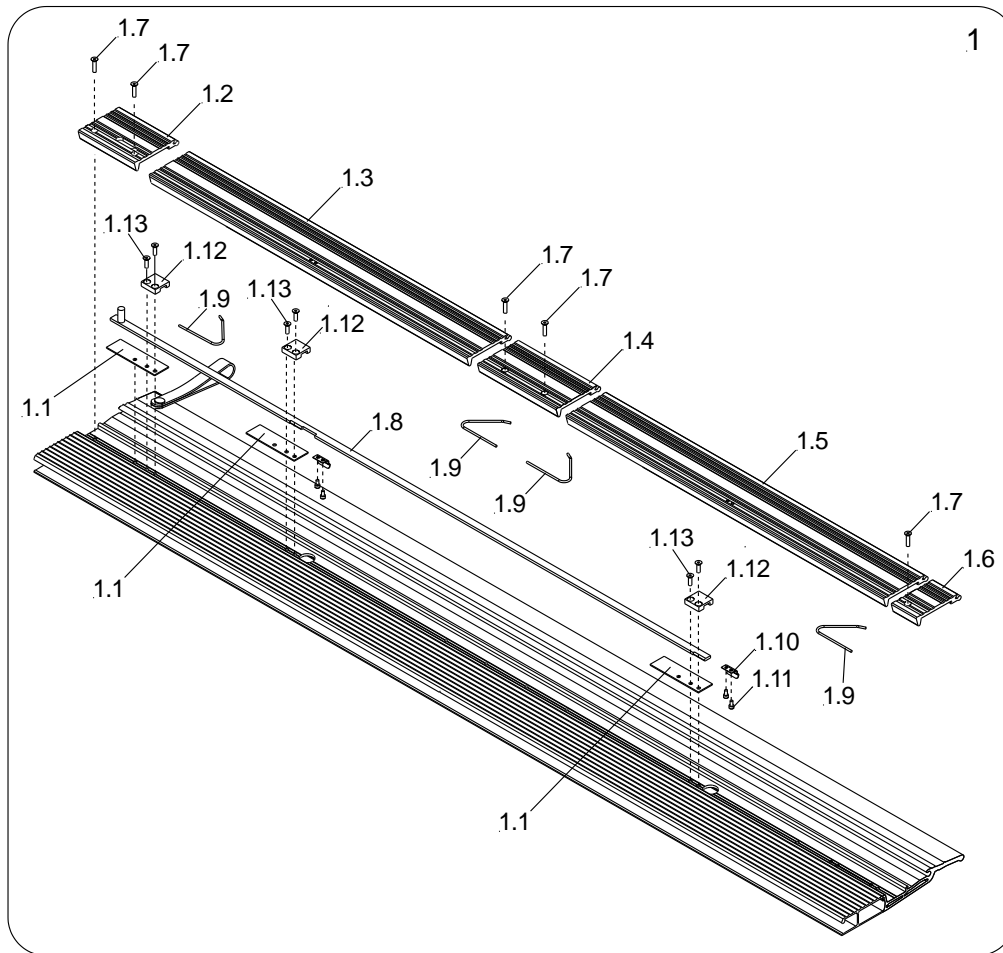
Palfinger Interlift, LLC.
15939 Piuma Ave, Cerritos, CA 90703
Tel: (888) 774-5844, Fax: (562) 924-8318

Palfinger Interlift, LLC.
572 Whitehead Road, Trenton, NJ 08619
Tel: (609) 587-4200, Fax: (609) 587-4201

5 – STEEL ALUMINUM PLATFORM			
No.	Description	Part No.	Qty.
1	Platform Assembly, Steel Main/Aluminum Tip, No Cart Stops	20-1013-200	1
2	Platform Assembly, Steel Main/Aluminum Tip, With Cart Stops	20-1013-210	1
3	Main Assembly, Steel	21-1009-200	1
4	Pin, Platform Hinge	P-67264894	2
5	Plate, Platform Hinge	20-1007-101	4
6	Hex Head Cap Screw, 5/16 - 18 X 1.0"	1030065	4
7	Ring Nut, M10 - 1.5	4000297	1
8	Hex Head Cap Screw, M10 - 1.5 X 25mm	4000299	1
9	Washer, Split Lock, M10	EK2740	1
10	Hex Head Cap Screw, M14 - 1.5 X 45mm	ES1588	2
11	Plate, Adjustment For Torsion Spring	60-1007-301	2
12	Nut, Flange, M14 - 1.5	EM 711	2
13	Hex Head Cap Screw, 5/16 - 18 X 3.25"	1030122	1
14	Nut, Nylock, 5/16 - 18	EM 710	1
15	Plate, Platform Handle	20-1012-001	1
16	Button Head Cap Screw, 3/8 - 16 X 0.75"	ES3460	2
17	Nut, Thin, Nylock, 3/8 - 16	EM709	2
18	Washer, Flat, 3/8	EK3216	2
19	Tip Assembly, Aluminum, With Cart stops	P-2034858	1
20	Tip Assembly, Aluminum, No Cart stops	P-2033962	1
21	Side Cap Profile	P-9832521700	1
22	Top Profile	P-1244631	2
23	Screw, M5 x 12	P-2004486	20
24	Cap, Tip, Plastic, Right Side (<i>Curb</i>), Gray, Platform with No Cart Stops	P-9081336000	1
	Cap, Tip, Plastic, Right Side (<i>Curb</i>), Black, Platform with Cart Stops	P-9083239000	1
25	Cap, Tip, Plastic, Left Side (<i>Driver</i>), Gray, Platform with No Cart Stops	P-9081336010	1
	Cap, Tip, Plastic, Left Side (<i>Driver</i>), Black, Platform with Cart Stops	P-9083238000	1
26	Socket Head Cap Screw, M8x25	P-66310809	4
27	Torsion Bar Kit, L-11mm	P-2006410	1
28	Rivet, Blind, 4,8x11	ML1019254	3
29	Platform Pin	P-67264894	2
30	Split Pin, 5mm x 40mm	1421757	4
31	Handle Strap Kit	1201681	1
32	Carriage Bolt, M8 x 20mm	ML2023828	1
33	Washer, M8	P-68451396	1
34	Nut, M8	EM 003	1
35	Rubber Snubber Pad	60-7514-002	1
36	Washer, M12	ML67245237	1
37	Flat Head Cap Screw, M12x30mm	2018782	1
38	Reinforcement Plate Kit, 54"-60" Platforms	22-7517-005	1
38.1	Plate, Formed, Reinforcement	22-7517-003	1
38.2	Rounded Head Self Tapping Screw, #10-16 x 5/8", Zinc	ES3971	8

Note: Shackles, pins, and springs must be added when buying a new platform.

6 Cart Stops - Aluminum Platforms



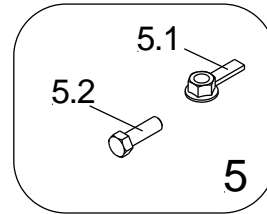
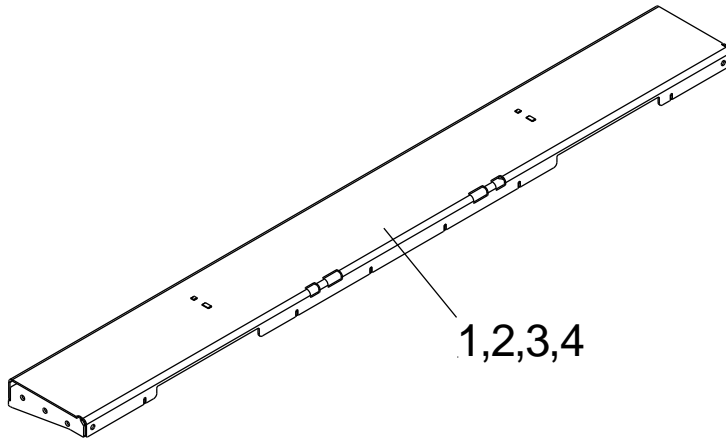
6 – CART STOPS – ALUMINUM PLATFORMS			
No.	Description	Part No.	Qty.
1	Section Tip w Cart Stop Assembly, 2x 800mm, 12" X 79"	22-0314-018	1
1.1	Pad, Delrin, 35mm X 120mm X 2mm	P-1406245	3
1.2	Plate Cover, Curb Side	P-2003301	1
1.3	Cart Stop, 800mm, Curb Side	P-2006698	1
1.4	Plate Cover, Center	P-2003302	1
1.5	Cart Stop, 800mm, Street Side	P-2006697	1
1.6	Plate Cover, Street Side	P-2003303	1
1.7	Socket Head Cap Screw, M6-1.0 X 30mm	P-1057441	5
1.8	Sliding Rail	P-1406248	1
1.9	Spring Rod	P-1408661	4
1.10	Clip	P-1406249	2
1.11	Socket Head Cap Screw, M5-0.80 X 8mm	P-1119357	4
1.12	C-Clip, Plastic	P-2004637	1
1.13	Socket Head Cap Screw, M6-1.0 X 20mm	P-1004726	6

Palfinger Interlift, LLC.
 15939 Piuma Ave, Cerritos, CA 90703
 Tel: (888) 774-5844, Fax: (562) 924-8318

Palfinger Interlift, LLC.
 572 Whitehead Road, Trenton, NJ 08619
 Tel: (609) 587-4200, Fax: (609) 587-4201

7 Bed Extension

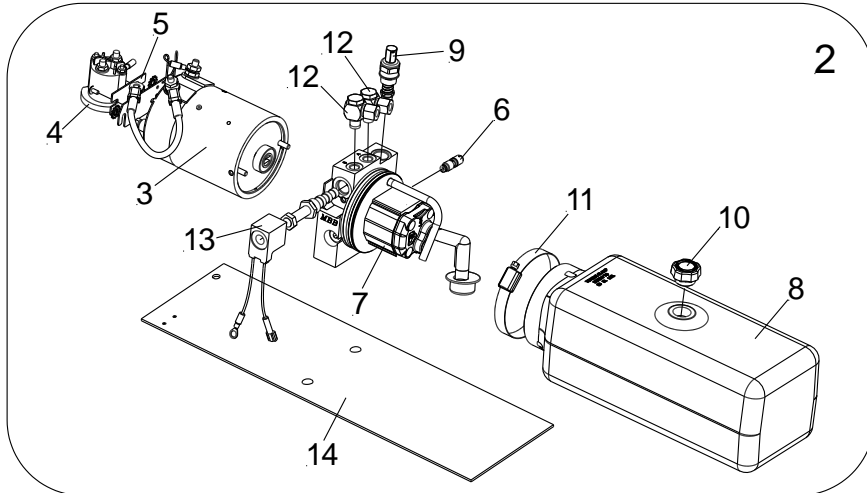
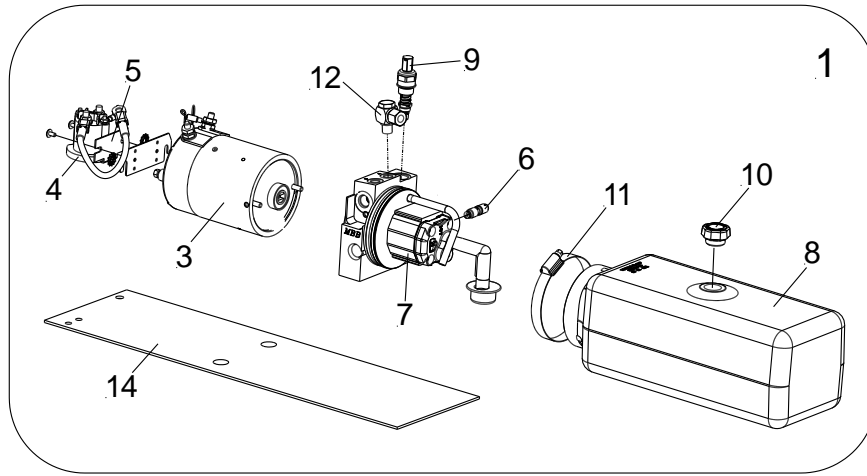
INTERLIFT Liftgates use galvanized, galvanized, powder coat, paint, zinc, and other finishes on different liftgate models. It is important to specify what type of finish is required for the ordered replacement parts.



7 – BED EXTENSION			
No.	Description	Part No.	Qty.
1	Bed Extension, 1/4", Bolt-On, Weld-On, 102" W, Black	60-1011-500	1
	Bed Extension, 1/4", Bolt-On, Weld-On, 102" W, Galvanized	60-1011-500+G	1
2	Bed Extension, 1/4", Bolt-On, Weld-On, 96" W, Black	60-1011-560	1
	Bed Extension, 1/4", Bolt-On, Weld-On, 96" W, Galvanized	60-1011-560+G	1
3	Bed Extension, 3/8", Bolt-On, Weld On, 102" W, Black	60-1017-000+B	1
	Bed Extension, 3/8", Bolt-On, Weld On, 102" W, Galvanized	60-1017-000+G	1
4	Bed Extension, 3/8", Bolt-On, Weld On, 96" W, Black	60-1017-010+B	1
	Bed Extension, 3/8", Bolt-On, Weld On, 96" W, Galvanized	60-1017-010+G	1
5	Hardware Kit, Bed Extension, Bolt-On	65-1012-220	1
5.1	Nut, w/Stop Arm, 9/16"-18, Zinc	65-1012-012	19
5.2	Hex Head Cap Screw, 9/16"-18 X 1.75", Gr.8, Zinc	ES3444	19

8 Hydraulic Power Unit

8.1 After January 2013

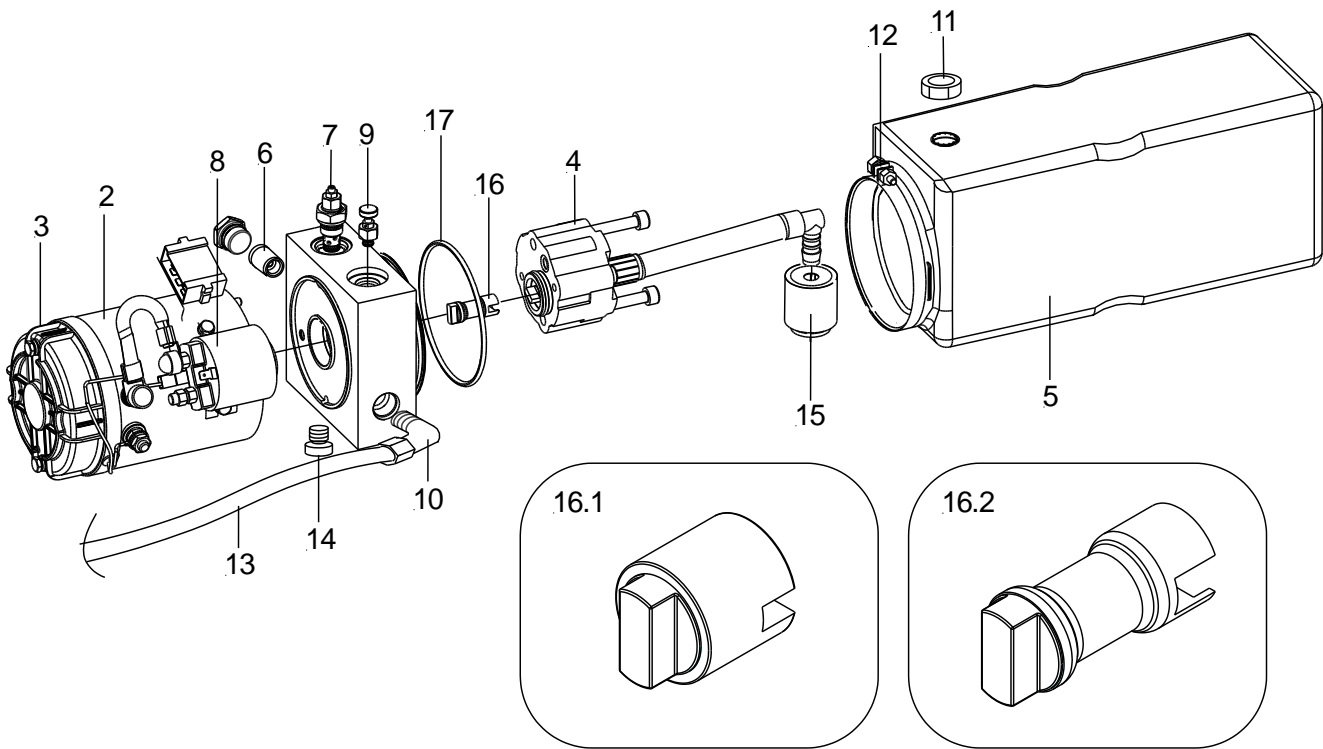


8.1- HYDRAULIC POWER			
No.	Description	Part No.	Qty.
1	Hydraulic Power Unit, Gravity Down	50-1012-950	1
2	Hydraulic	50-1412-950	1
3	Motor 12 Volt	80-1411-101	1
4	Motor Solenoid	80-1411-102	1
5	Brackets For Solenoid	50-0313-956	1
6	Check Valve Pilot	50-0313-952	1
7	Pump	80-1411-917	1
8	Oil Reservoir (Plastic)	50-0313-958	1
9	Relief Valve	50-0313-953	1
10	Breather Cap	50-0709-914	1
11	Clamp For Oil Reservoir	50-0313-954	1
12	Fitting, 90° Elbow, Gravity Down	50-0313-955	1
	Fitting, 90° Elbow, Power Down	50-0313-955	2
13	Valve Cartridge (Power Down Only)	50-0313-957	1
14	Tray, Power Pack	ML50-7521-004	1

Palfinger Interlift, LLC.
 15939 Piuma Ave, Cerritos, CA 90703
 Tel: (888) 774-5844, Fax: (562) 924-8318

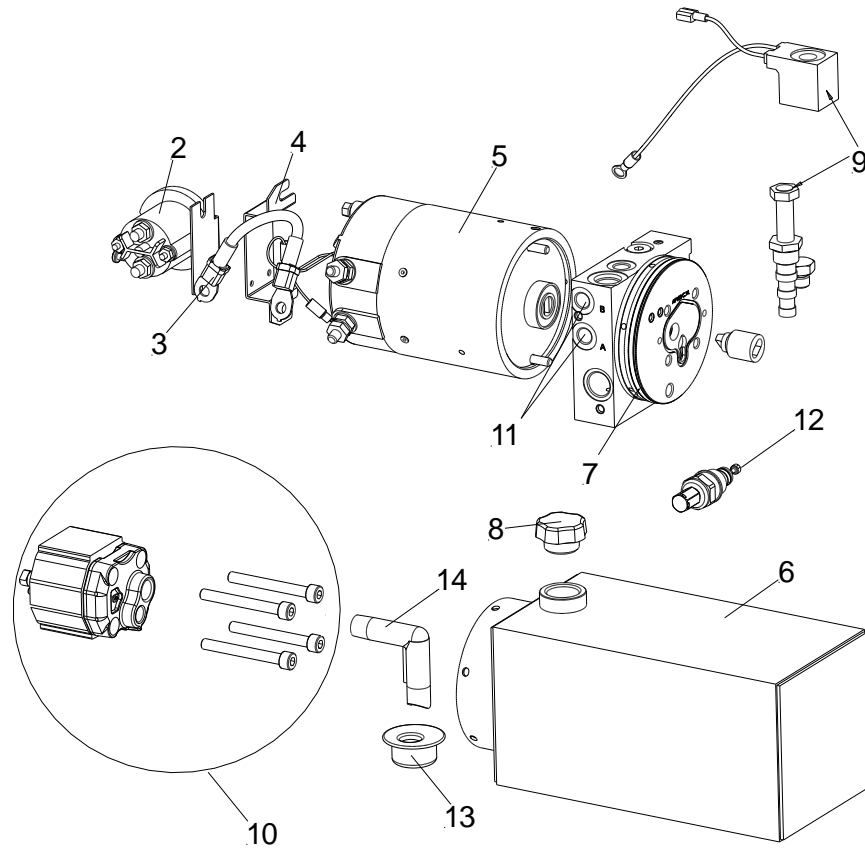
Palfinger Interlift, LLC.
 572 Whitehead Road, Trenton, NJ 08619
 Tel: (609) 587-4200, Fax: (609) 587-4201

8.2 Discontinued January 2013



8.2- HYDRAULIC POWER PACK – GRAVITY DOWN			
No.	Description	Part No.	Qty.
1	Power Pack	P-2020859	1
2	Motor 12 Volt	P-2020866	1
3.1	Carbon Brushes Kit (4 Pieces) - After 2001	P-1410330	1
3.2	Carbon Brushes Kit (4 Pieces) - Prior 2001	P-1407399	1
4	Pump Including Coupler, Pipe, Filter	P-2020618	1
5	Oil Reservoir	P-1404306	1
6	Shuttle Valve	P-2005141	1
7	Pressure Control Valve	P-1404297	1
8	Motor Solenoid	P-1404303	1
9	Pressure Gauge	P-1405397	1
10	Fitting - 90° Elbow	P-1000180	1
11	Breather Cap	P-1404487	1
12	Clamp Kit For Oil Reservoir	P-1404308	1
13	Hydraulic Hose	P-2004473	1
14	Drain Plug	P-66373088	1
15	Pump Filter	P-2018681	1
16.1	Coupler 3/4" X 7/8" (18mmx23mm) - Early Style	P-1406291	1
16.2	Coupler 3/4" X 1-3/8" (18mmx34mm) - New Style	P-2020617	1
17	Sealing Ring	P-2009743	1

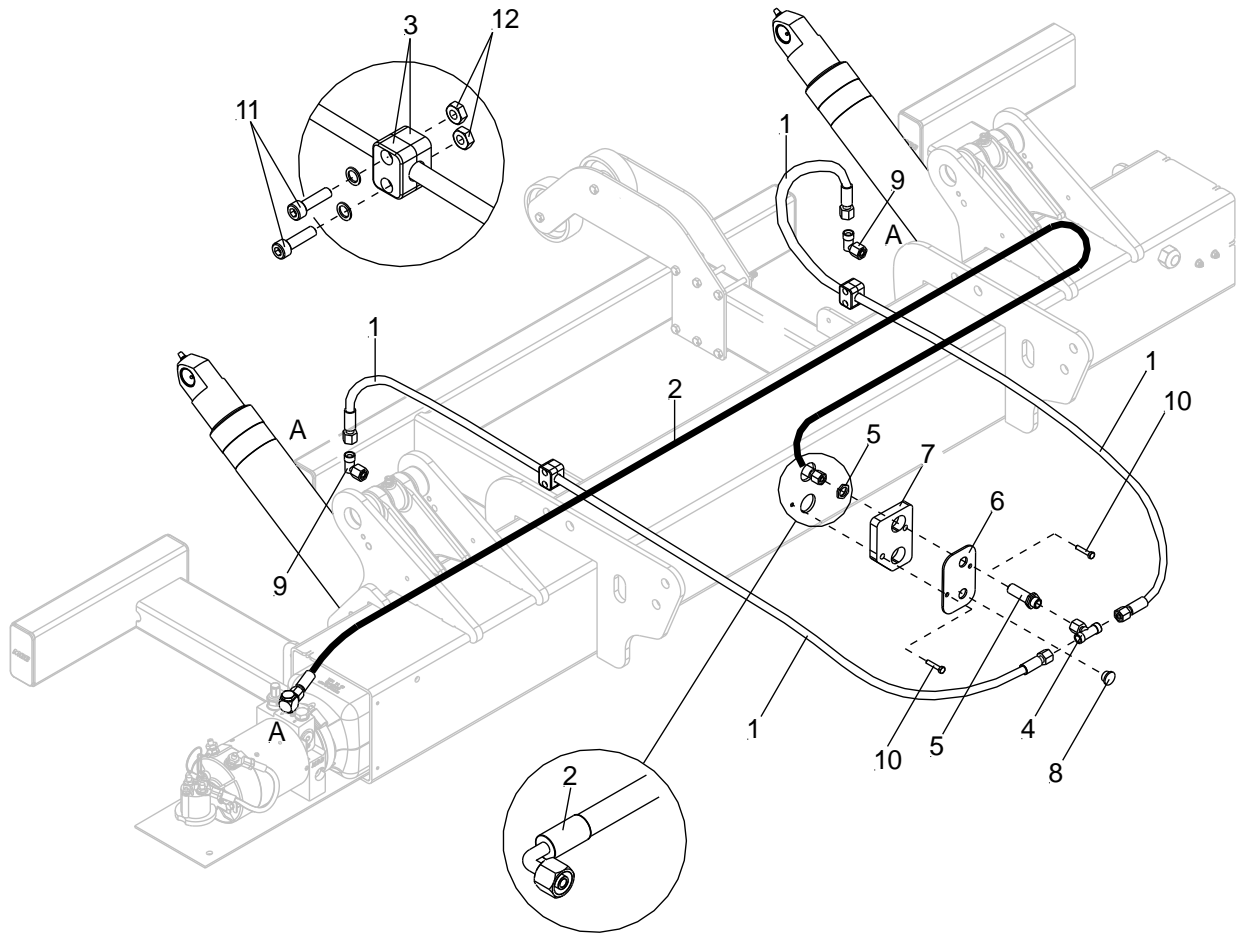
8.3 Discontinued January 2013



8.3- Hydraulic Power Unit			
No.	Description	Part No.	Qty.
1	Power Pack	80-1411-100	1
2	Solenoid	80-1411-102	1
3	Cable Insulated	50-0709-919	1
4	Bracket, Mount Solenoid	50-0709-912	1
5	Motor	80-1411-101	1
6	Reservoir, Steel, 3 Liter	80-1411-911	1
7	O-Ring	50-0709-913	1
8	Breather Cap	50-0709-914	1
9	Cartridge, 4-Way w/ Coil	80-1411-920	1
10	Pump, Pressure Balanced, 1.7	80-1411-917	1
11	Banjo Fitting	P-1000180	1
12	Valve Relief	50-1414-009	1
13	Filter, Suction	50-1414-011	1
14	Tube, Suction	50-1414-010	1
15	Tray, Power Unit	80-1411-110	1

9 Hydraulic Hoses

9.1 Gravity Down

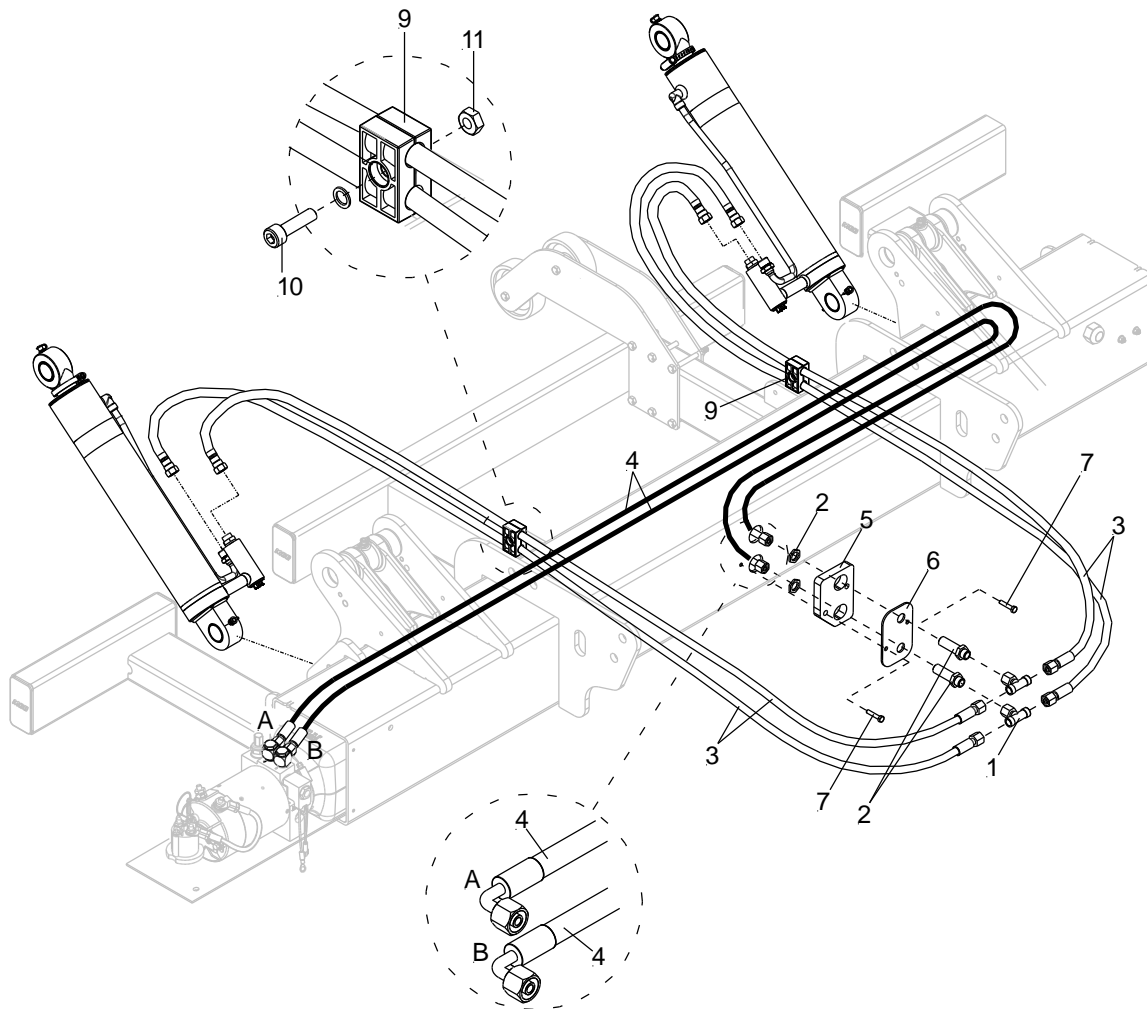


9.1- HYDRAULIC HOSES – GRAVITY DOWN			
No.	Description	Part No.	Qty.
1	Hydraulic Hose, Rubber, 10L, 1400mm [51.1"]	P-2021335	2
2	Hydraulic Hose, Rubber, 10L, W/ 90° Fitting On One Side, 2000mm [78.7"]	P-2021336	1
3	Hose Clamp, Plastic, Single Hose, Green	P-2011391	2
4	Tee- Fitting, 10L	P-1232239	1
5	Bulk Head Fitting	P-1111057	1
6	Fitting Plate	P-2012920	1
7	Rubber Plate	P-1114049	1
8	Plastic Plug	P-1296920	1
9	Elbow, 90° 10L To 10L (Hose To Cylinder)	P-1232266	2
10	Hex Head Cap Screw, M6X1.0X50, CL 8.8, Zinc	ES3498	2
11	Socket Head Cap Screw,, M6x1.0x45mm, Cl 8.8, Zinc	ES3420	2
12	Nut, Nylock, M6x1.0, Zinc	EM 724	2

Palfinger Interlift, LLC.
 15939 Piuma Ave, Cerritos, CA 90703
 Tel: (888) 774-5844, Fax: (562) 924-8318

Palfinger Interlift, LLC.
 572 Whitehead Road, Trenton, NJ 08619
 Tel: (609) 587-4200, Fax: (609) 587-4201

9.2 Power Down (After 2019)

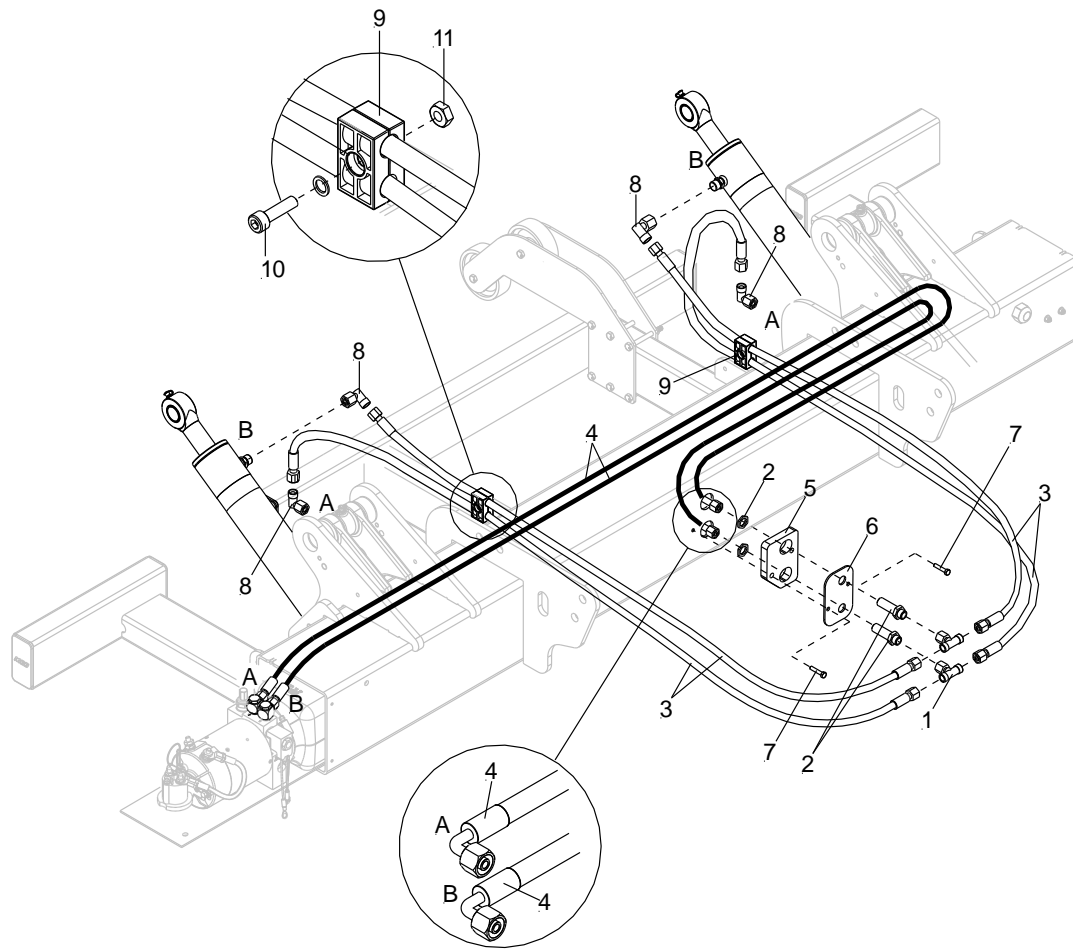


9.2- HYDRAULIC HOSES – POWER DOWN (AFTER 2019)			
No.	Description	Part No.	Qty.
1	Tee-Fitting, 10L	P-1232239	2
2	Bulk Head Fitting, 10L	P-1111057	2
3	Hydraulic Hose, Rubber, 10L, 1400mm [51.1"]	P-2021335	4
4	Hydraulic Hose, Rubber, 10L, w/ 90° Fitting On One Side, 2000mm [78.7"]	P-2021336	2
5	Rubber Plate	P-1114049	1
6	Fitting Plate	P-2012920	1
7	Hex Head Cap Screw, M6X1.0X50, CL 8.8, Zinc	ES3498	2
9	Hose Clamp, Plastic, Dual Hose, Green	P-1406960	2
10	Socket Head Cap Screw, M6x1.0x45mm, Cl 8.8, Zinc	ES3420	2
11	Nut, Nylock, M6x1.0, Zinc	EM 724	2

Palfinger Interlift, LLC.
 15939 Piuma Ave, Cerritos, CA 90703
 Tel: (888) 774-5844, Fax: (562) 924-8318

Palfinger Interlift, LLC.
 572 Whitehead Road, Trenton, NJ 08619
 Tel: (609) 587-4200, Fax: (609) 587-4201

9.3 Power Down (Prior 2019)



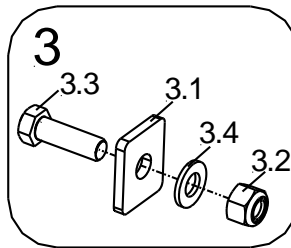
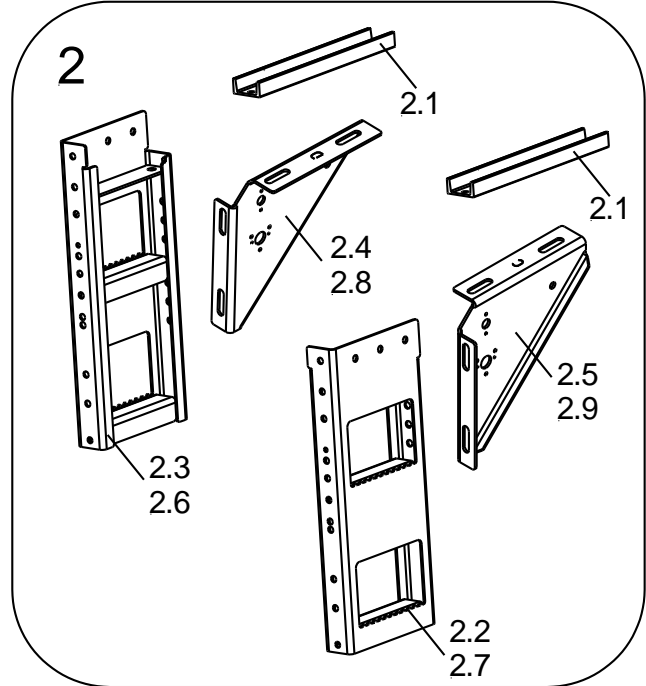
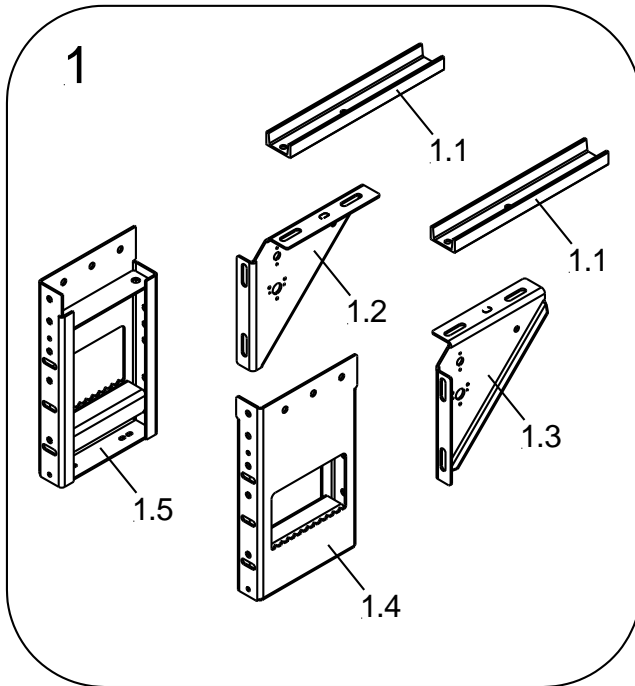
9.3- HYDRAULIC HOSES – POWER DOWN (PRIOR 2019)			
No.	Description	Part No.	Qty.
1	Tee-Fitting, 10L	P-1232239	2
2	Bulk Head Fitting, 10L	P-1111057	2
3	Hydraulic Hose, Rubber, 10L, 1400mm [51.1"]	P-2021335	4
4	Hydraulic Hose, Rubber, 10L, w/ 90° Fitting On One Side, 2000mm [78.7"]	P-2021336	2
5	Rubber Plate	P-1114049	1
6	Fitting Plate	P-2012920	1
7	Hex Head Cap Screw, M6X1.0X50, CL 8.8, Zinc	ES3498	2
8	Elbow, 90° 10L To 10L (Hose To Cylinder)	P-1232266	4
9	Hose Clamp, Plastic, Dual Hose, Green	P-1406960	2
10	Socket Head Cap Screw, M6x1.0x45mm, Cl 8.8, Zinc	ES3420	2
11	Nut, Nylock, M6x1.0, Zinc	EM 724	2

Palfinger Interlift, LLC.
 15939 Piuma Ave, Cerritos, CA 90703
 Tel: (888) 774-5844, Fax: (562) 924-8318

Palfinger Interlift, LLC.
 572 Whitehead Road, Trenton, NJ 08619
 Tel: (609) 587-4200, Fax: (609) 587-4201

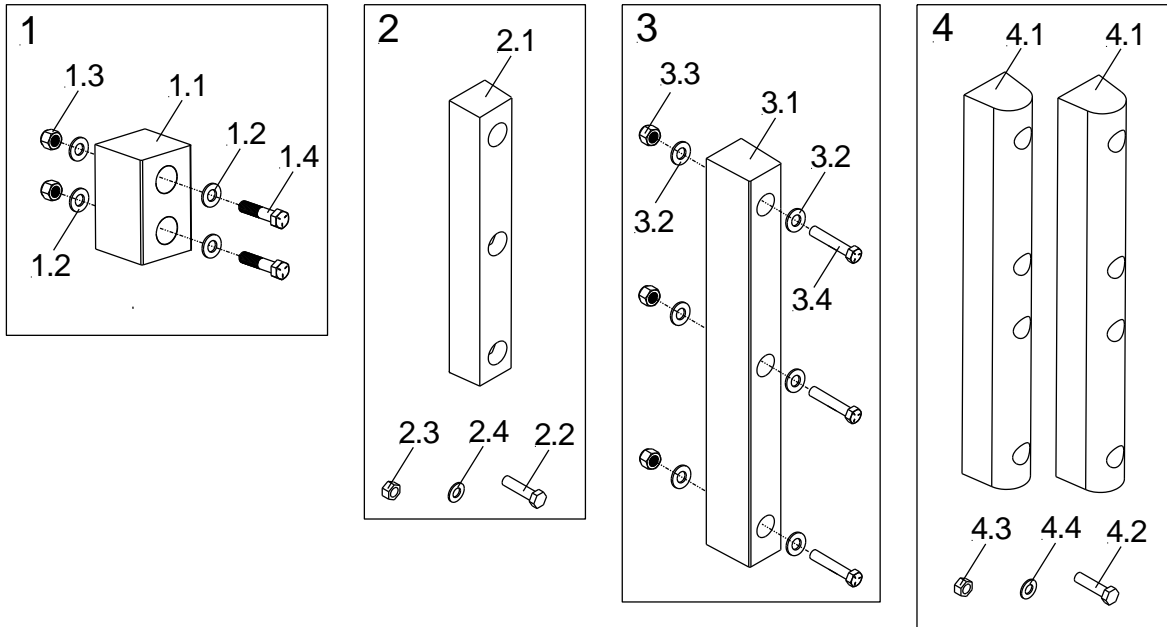
10 Dock Bumpers

INTERLIFT Liftgates use galvanized, galvanized, powder coat, paint, zinc, and other finishes on different liftgate models. It is important to specify what type of finish is required for the ordered replacement parts.



10 - DOCK BUMPERS			
NO.	DESCRIPTION	PART NO.	QTY.
1	Kit, 21" Dock Bumpers, Weld-On, Heavy Duty (3/16"), Black	60-7515-013+B	1
	Kit, 21" Dock Bumpers, Weld-On, Heavy Duty (3/16"), Galvanized	60-7515-013+G	1
	Kit, 21" Dock Bumpers, Bolt-On, Heavy Duty (3/16") w/Hardware, Black	65-7515-007+B	1
	Kit, 21" Dock Bumpers, Bolt-On, Heavy Duty (3/16") w/Hardware, Galvanized	65-7515-007+G	1
1.1	3" Channel, Black	60-1013-032+B	2
	3" Channel, Galvanized	60-1013-032+G	1
1.2	Strut Brace, 3/16", Street Side, Black	65-7514-008+B	1
	Strut Brace, 3/16", Street Side, Galvanized	65-7514-008+G	1
1.3	Strut Brace, 3/16", Curb Side, Black	65-7514-009+B	1
	Strut Brace, 3/16", Curb Side, Galvanized	65-7514-009+G	1
1.4	Dock Bumper, 12"X 21" X 3/16", Right Side, Black	65-7515-000+B	1
	Dock Bumper, 12"X 21" X 3/16", Right Side, Galvanized	65-7515-000+G	1
1.5	Dock Bumper, 12"X 21" X 3/16", Left Side, Black	65-7515-003+B	1
	Dock Bumper, 12"X 21" X 3/16", Left Side, Galvanized	65-7515-003+G	1
2	Kit, 28" Dock Bumpers, Weld-On, Heavy Duty (3/16"), Black	65-7514-001+B	1
	Kit, 28" Dock Bumpers, Weld-On, Heavy Duty (3/16"), Galvanized	65-7514-001+G	1
	Kit, 28" Dock Bumpers, Bolt-On, Heavy Duty (3/16") w/Hardware, Black	65-7514-000+B	1
	Kit, 28" Dock Bumpers, Bolt-On, Heavy Duty (3/16") w/Hardware, Galvanized	65-7514-000+G	1
	Kit, 28" Dock Bumpers, Weld-On, Extra Heavy Duty (1/4"), Black Paint	65-1013-011+B	1
	Kit, 28" Dock Bumpers, Weld-On, Extra Heavy Duty (1/4"), Galvanized	65-1013-011+G	1
	Kit, 28" Dock Bumpers, Bolt-On, Extra Heavy Duty (1/4") w/Hardware, Black	65-1013-010+B	1
	Kit, 28" Dock Bumpers, Bolt-On, Extra Heavy Duty (1/4") w/Hardware, Galvanized	65-1013-010+G	1
2.1	3" Channel, Black	60-1013-032+B	2
	3" Channel, Galvanized	60-1013-032+G	2
2.2	Dock Bumper, 12" X 28" X 3/16", Curb Side, Black	65-7514-002+B	1
	Dock Bumper, 12" X 28" X 3/16", Curb Side, Galvanized	65-7514-002+G	1
2.3	Dock Bumper, 12" X 28" X 3/16", Street Side, Black	65-7514-003+B	1
	Dock Bumper, 12" X 28" X 3/16", Street Side, Galvanized	65-7514-003+G	1
2.4	Strut Brace, 3/16", Street Side, Black	65-7514-008+B	1
	Strut Brace, 3/16", Street Side, Galvanized	65-7514-008+G	1
2.5	Strut Brace, 3/16", Curb Side, Black	65-7514-009+B	1
	Strut Brace, 3/16", Curb Side, Galvanized	65-7514-009+G	1
2.6	Dock Bumper, 12" X 28" X 1/4", Street Side, Black	60-1013-010+B	1
	Dock Bumper, 12" X 28" X 1/4", Street Side, Galvanized	60-1013-010+G	1
2.7	Dock Bumper, 12" X 28" X 1/4", Curb Side, Black	60-1013-020+B	1
	Dock Bumper, 12" X 28" X 1/4", Curb Side, Galvanized	60-1013-020+G	1
2.8	Strut Brace, 1/4", Street Side, Black	60-1013-030+B	1
	Strut Brace, 1/4", Street Side, Galvanized	60-1013-030+G	1
2.9	Strut Brace, 1/4", Curb Side, Black	60-1013-031+B	1
	Strut Brace, 1/4", Curb Side, Galvanized	60-1013-031+G	1
3	Dock Bumper Hardware Kit	65-1013-012	1
3.1	Clamp Washer	60-1013-050	8
3.2	Washer, Flat, 9/16", SAE	EK3280	16
3.3	Nut, Nylock, 9/16"-12	EM862	16
3.4	Hex Head Cap Screw, 9/16"-12x1.75, Zinc	ES4003	16

11 Dock Bumper – Bumper Pads

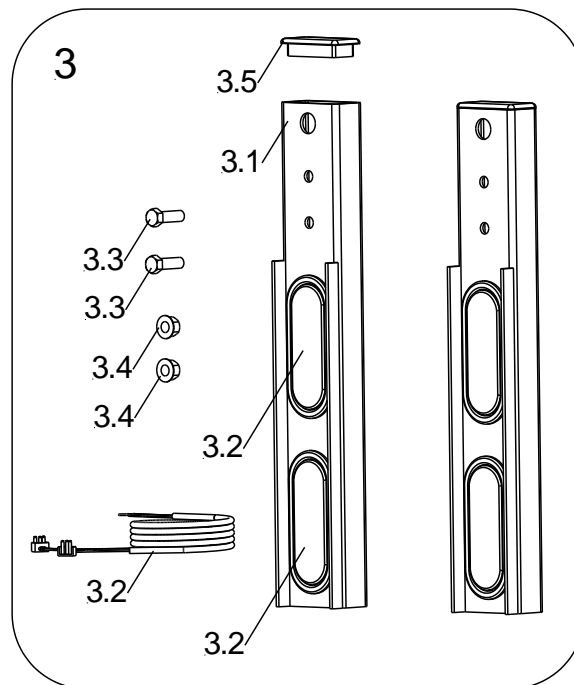
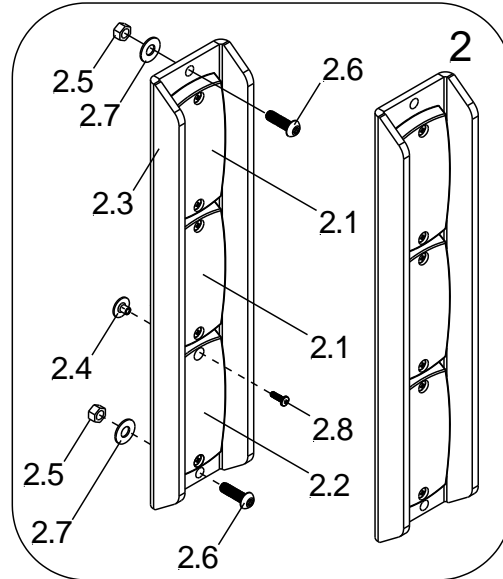
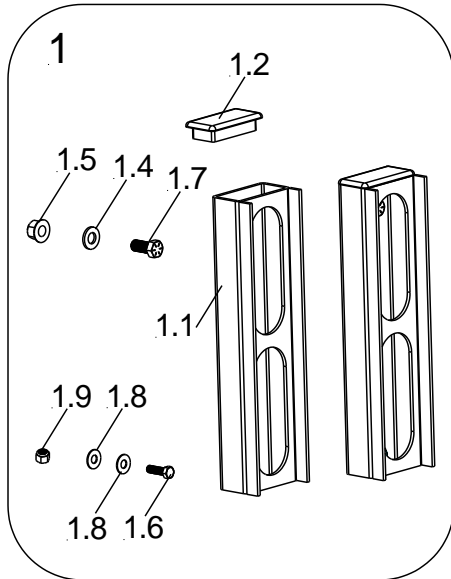


11 - DOCK BUMPER PADS			
No.	Description	PART NO.	QTY.
1	Rubber Bumper Kit, 2.6"X3.5"X5", UHMW, 2 Hole, w/Bolt-On Hardware	65-7518-300	1
1.1	Rubber Bumper, 3"x3"x4.8", UHMW	65-7517-400	1
1.2	Washer, Flat, 1/2"	EK2796	8
1.3	Nylock, 1/2"-13	EM-707	4
1.4	Hex Head Cap Screw, 1/2-13x2.25"	ES3910	4
2	Bumper Kit, UHMW, 16", Bolt-On	65-7518-005	1
2.1	Bumper; UHMW; 16"x2"x1.5"	65-7518-001	1
2.2	Hex Head Cap Screw, 1/2"-13 x 2.00"	ES3455	3
2.3	Nylock, 1/2"-13	EM-707	3
2.4	Washer, Flat, 1/2", SAE	EK2796	6
3	Rubber Bumper Kit, 3"X2.5"X24", 3 Hole, w/Bolt-On Hardware	65-7514-024	1
3.1	Rubber Dock Bumper	65-7514-023	1
3.2	Washer, Flat, 1/2"	EK2796	6
3.3	Nylock, 1/2"-13	EM-707	3
3.4	Hex Head Cap Screw 1/2"-13x2.75" Gr.5,Zinc	ES3554	3
4	Rubber Bumper Kit, 3"X3"X24", 4 Hole, w/Bolt-On Hardware	65-7513-424	1
4.1	Rubber Dock Bumper	65-7513-024	2
4.2	Hex Head Cap Screw, 1/2"-13 X 2.25"	ES3910	8
4.3	Nylock, 1/2"-13	EM-707	8
4.4	Washer, Flat, 1/2", SAE	EK2796	16

NOTES

12 Dock Bumper - Light Kits

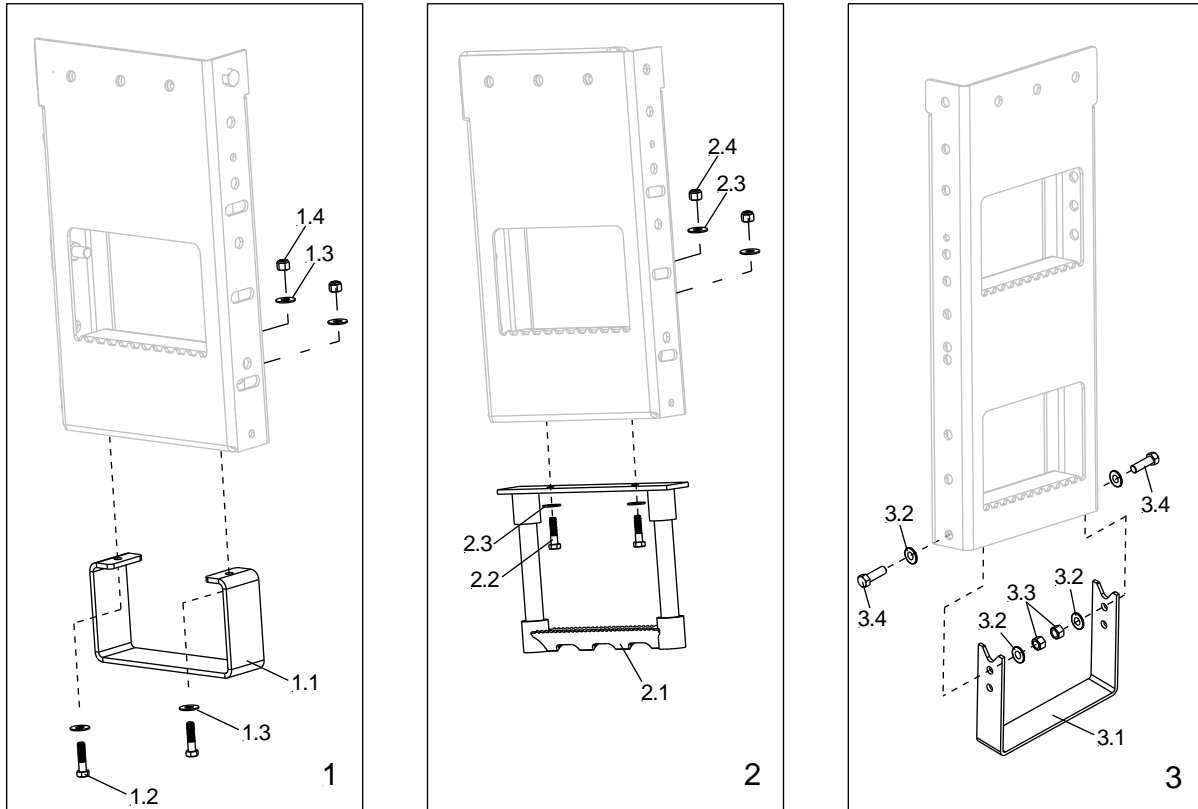
INTERLIFT Liftgates use galvanized, galvanized, powder coat, paint, zinc, and other finishes on different liftgate models. It is important to specify what type of finish is required for the ordered replacement parts.



12 - DOCK BUMPER LIGHT KITS			
NO.	DESCRIPTION	PART NO.	QTY.
1	Light Fixture Kit, 21" Dock Bumpers, (No Lights Included.)	60-7515-014+G	1
1.1	Light Fixture, 21", Series 60	65-7515-010+G	2
1.2	Cap, 2 X 4, Plastic, Black	60-1007-401	2
1.3	Washer, Flat, 9/16", SAE/USS	EK3280	2
1.4	Nut, Flange, Lock, 9/16"-18	EM 693	2
1.5	Hex Head Cap Screw; 3/8-16 X 1.25"	ES3496	2
1.6	Hex Head Cap Screw; 9/16-18 X 1.25"	ES3689	2
1.7	Washer, Flat, 3/8" USS, Zinc	EK3216	4
1.8	Nut, Nylock, 3/8"-16, Gr.5, Zinc	EM-708	2
2	Light Fixture Kit, Dock Bumpers, 3" Lights, w/Bolt On Hardware	65-1013-400	1
2.1	Red Led Light	65-1013-201	2
2.2	White Led Light	65-1013-202	1
2.3	3-Light Bracket	65-7513-102	1
2.4	Split Loom, 0.25" x 6.25", Black	EZ7394	3
2.5	Nut, Tee, #8-32	EM 845	6
2.6	Pan Head Screw, #8-32x0.50"	ES3622	6
2.7	Button Head Cap Screw, 3/8"-16 x 1.25"	99-8813-048	2
2.8	Washer, Flat, 3/8	99-8813-058	2
2.9	Nut, Nylock, 3/8"-16, Gr.5, Zinc	EM-708	2
3	Light Fixture Kit. 28" Dock Bumpers, Series 60 Light (w/Lights)	65-0815-100+G	1
3.1	Light Fixture, Series 60	65-0815-002+G	2
3.2	Light Kit, w/Harness, Red	70-8015-015	1
3.3	Hex Head Cap Screw, 5/8-18x1.75, Gr.8, Zinc	ES3444	4
3.4	Nut, Lock, Flanged, 9/16-18", Gr.8, Zinc	EM 693	4
3.5	Cap, 2 X 4, Plastic, Black	60-1007-401	2

13 Dock Bumper – Steps

INTERLIFT Liftgates use galvanized, galvanized, powder coat, paint, zinc, and other finishes on different liftgate models. It is important to specify what type of finish is required for the ordered replacement parts.



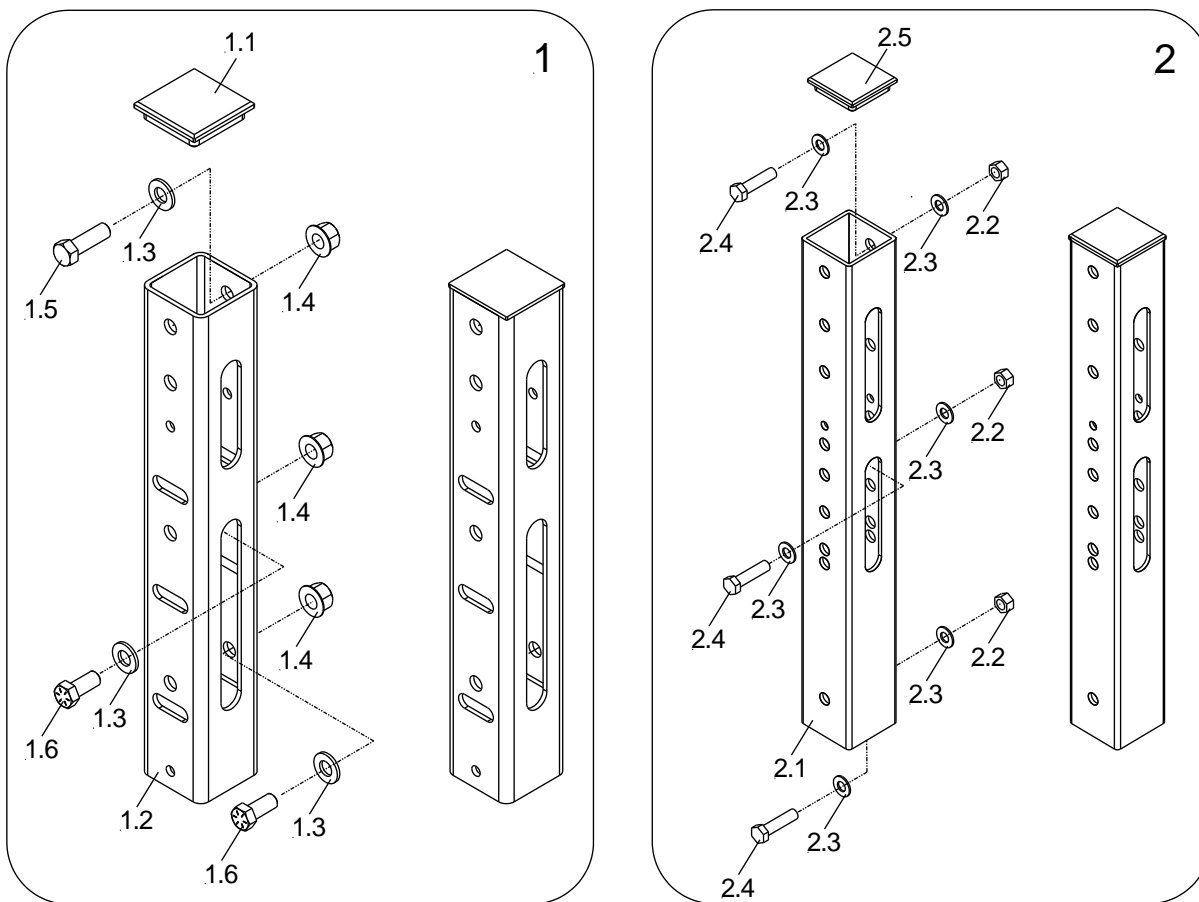
13 - DOCK BUMPER STEPS			
NO.	DESCRIPTION	PART NO.	QTY.
1	Stirrup Step kit; 6", 21" Dock Bumper	65-7515-012+G	1
1.1	Stirrup Step; 6"	65-1011-102+G	2
1.2	Hex Head Cap Screw, 3/8-16x1.50"	ES3656	4
1.3	Washer, Flat, 3/8" USS, Zinc	EK3216	8
1.4	Nut, Nylock, 3/8-16, Gr.5, Zinc	EM-708	4
2	Cable Step Kit; 21" Dock Bumper, Zinc	65-7515-006	1
2.1	Cable Step; 9"x12"x1-1/4", Zinc	65-7518-000	2
2.2	Hex Head Cap Screw, 3/8-16x1.50"	ES3656	4
2.3	Washer, Flat, 3/8" USS, Zinc	EK3216	8
2.4	Nut, Nylock 3/8-16 Gr.5 Zinc	EM-708	4
3	Stirrup Step Kit; 8", 28" Dock Bumper	65-7514-010+G	1
3.1	Stirrup Step; 8"	60-1013-060+G	2
3.2	Washer, Flat, 1/2"	EK2796	8
3.3	Nut, Nylock, 1/2"-13	EM-707	4
3.4	Hex Head Cap Screw, 1/2"-13 x 1.5	ES3456	4

Palfinger Interlift, LLC.
 15939 Piuma Ave, Cerritos, CA 90703
 Tel: (888) 774-5844, Fax: (562) 924-8318

Palfinger Interlift, LLC.
 572 Whitehead Road, Trenton, NJ 08619
 Tel: (609) 587-4200, Fax: (609) 587-4201

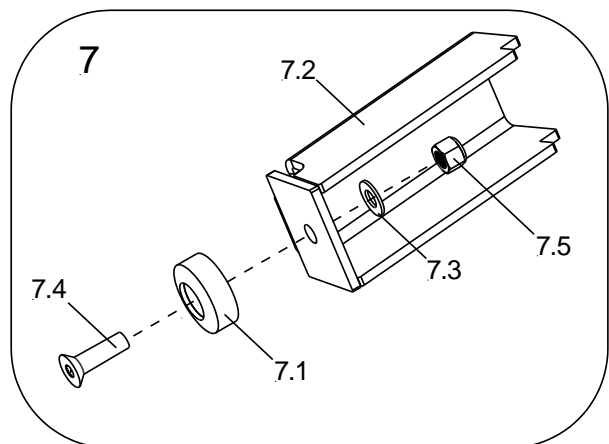
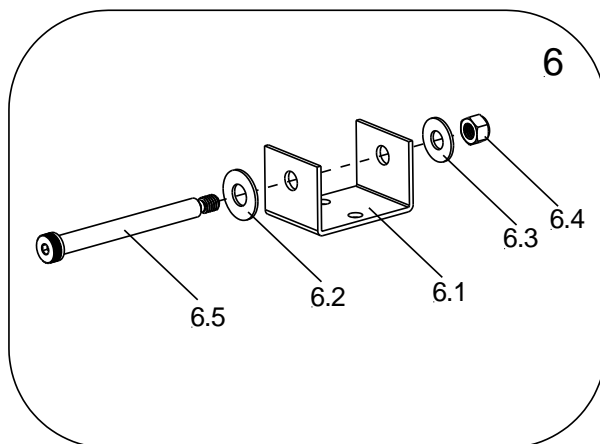
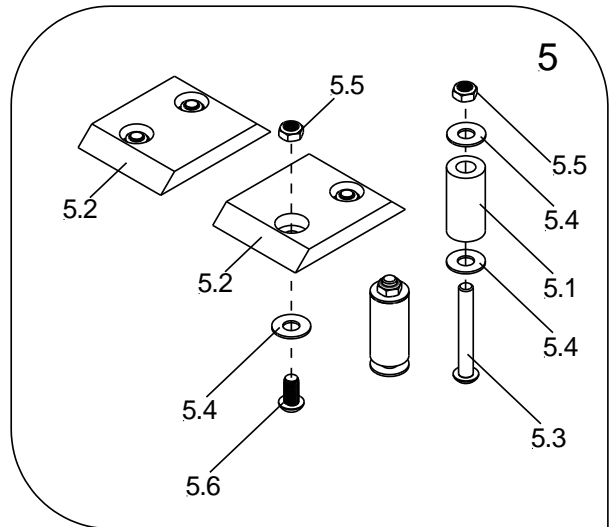
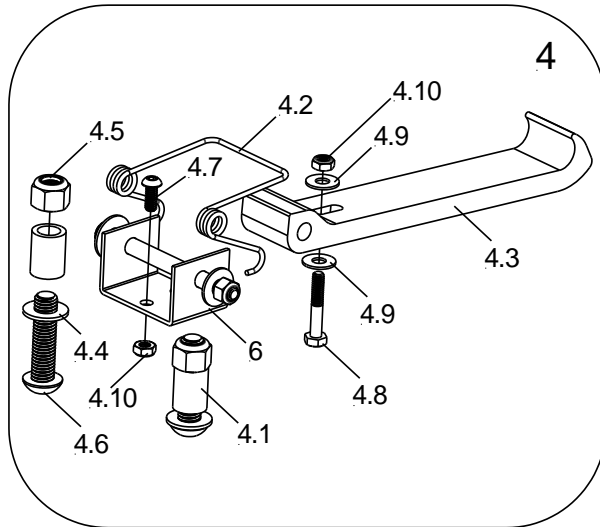
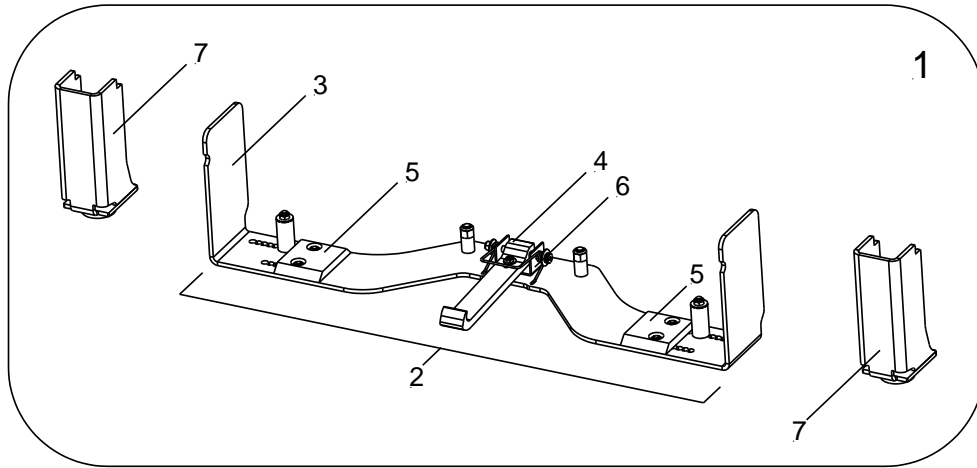
14 Dock Bumpers - Walk Ramp Extensions

INTERLIFT Liftgates use galvanized, galvanized, powder coat, paint, zinc, and other finishes on different liftgate models. It is important to specify what type of finish is required for the ordered replacement parts.



14 - DOCK BUMPERS – WALK RAMP EXTENSIONS			
NO.	DESCRIPTION	PART NO.	QTY.
1	21" Dock Bumper, Bolt-On, Walk Ramp Extension Kit, w/Hardware	65-7515-013+G	1
1.1	3" Square Tube Cap	99-8714-001	2
1.2	Walk Ramp Extension Tube, Galvanized	65-7515-014+G	2
1.3	Washer; Flat; 9/16, SAE/USS	EK3280	6
1.4	Lock Nut, Flange, 9/16"-18	EM 693	6
1.5	Hex Head Cap Screw, 9/16-18 X 1.75"	ES3444	2
1.6	Hex Head Cap Screw, 9/16-18 X 1.25"	ES3689	4
2	28" Dock Bumper, Bolt-On, Walk Ramp Extension Kit, w/Hardware	65-7514-014+G	1
2.1	Walk Ramp Extension Tube, Galvanized	65-7514-016+G	2
2.2	Nut, Nylock, 1/2"-13	EM-707	6
2.3	Washer, Cut. 1/2"	EK2796	12
2.4	Hex Head Cap Screw, 1/2"-13 X 1.5"	ES3456	6
2.5	Cap, Square Tube, 3"	99-8714-001	2

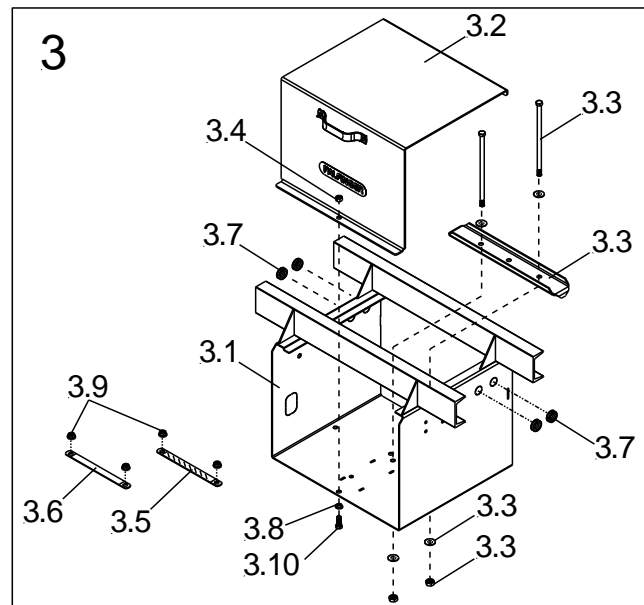
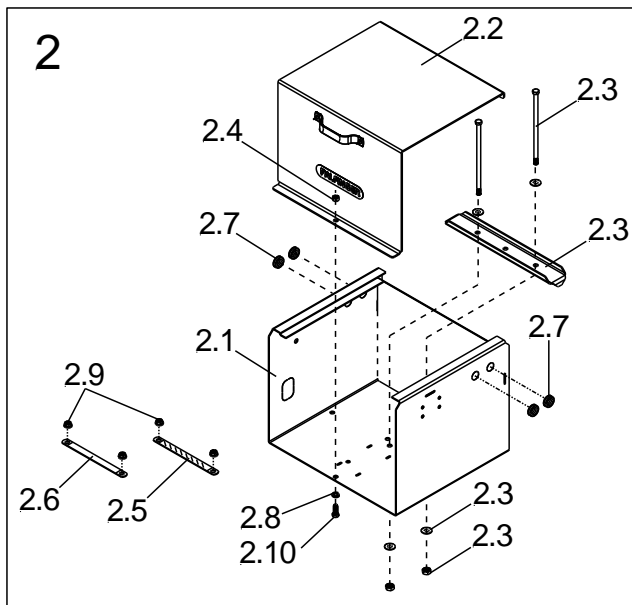
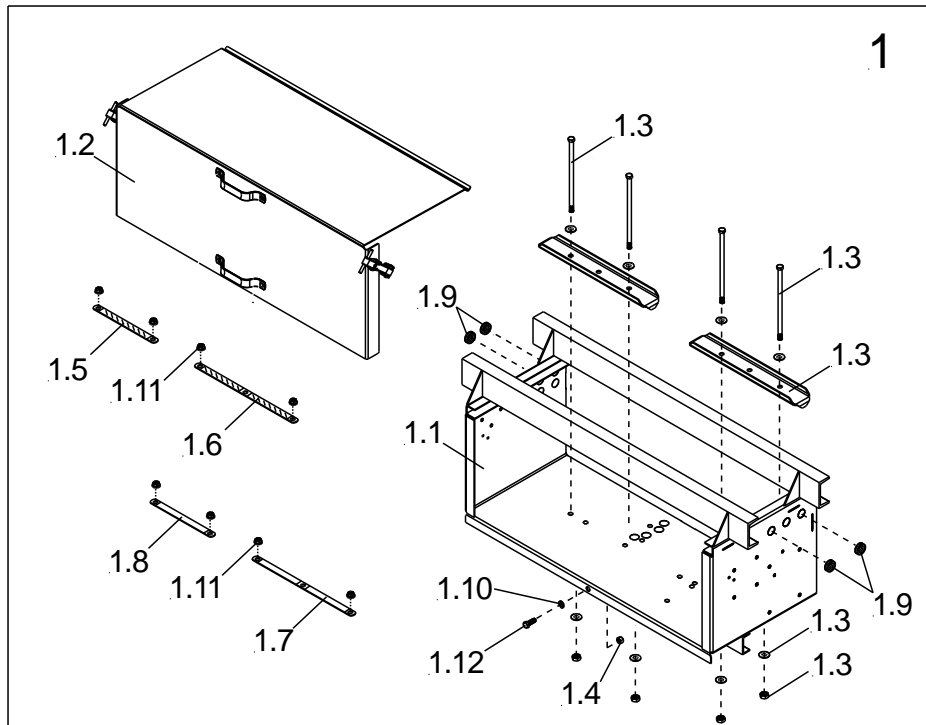
15 **Walk Ramp**



15 – WALK RAMP			
No.	Description	Part No.	Qty.
1	Walk Ramp Kit, Cradle, Up Stops, Hardware, Galvanized	60-1012-200+G	1
2	Walk Ramp Cradle Kit, No Up Stops, Galvanized	60-7515-008+G	1
3	Cradle, Formed	60-1012-211	1
4	Latch Kit	60-7515-006	1
4.1	Slide Stop	60-1009-115	2
4.2	Spring Torsion, Stainless Steel	60-1011-104	1
4.3	Hook, Ramp, Aluminum	60-1012-103	1
4.4	Washer, Flat, 1/2"	EK2796	2
4.5	Nut, Nylock, 1/2"-13	EM-707	2
4.6	Button Head Cap Screw, 1/4" -13 X 2.00"	ES3535	2
4.7	Button Head Cap Screw, 1/4" -20 X 5/8"	ES3537	2
4.8	Hex Head Cap Screw, 1/4"-20 X 1.50"	ES3651	1
4.9	Washer, Flat, 1/4" USS, Zinc	EK3218	2
4.10	Nut, Nylock, 1/4"-20 Zinc	EM 722	3
5	Slide And Slide Guard Kit	60-7515-007	1
5.1	Slide Guard	60-1009-112	2
5.2	Walk Ramp Slide Pad	60-1011-151	2
5.3	Button Head Cap Screw, 3/8"-16 X 2.75"	ES3534	2
5.4	Washer, Flat, 3/8" USS, Zinc	EK3216	8
5.5	Nut, Nylock, 3/8"-16, Block Half Height	EM-709	6
5.6	Button Head Cap Screw, 3/8"-16 X 3/4"	ES3460	4
6	Bracket & Hardware Kit	60-1012-203	1
6.1	Bracket, Emtek	60-7515-009	1
6.2	Washer, Flat, 3/8", USS, Zinc	EK3216	1
6.3	Washer, Flat, 5/16"	EK3217	1
6.4	Nut, Nylock, 5/16"-18	EM 710	1
6.5	Shoulder Screw, 3/8" X 3.5"	ES3533	1
7	Up Stop Kit, Galvanized	60-7515-005+G	1
7.1	Bumper, Nylon	60-1009-113	1
7.2	Up Stop, Formed, Adjustable	60-1009-301+G	1
7.3	Washer, Flat, 1/2"	EK2796	1
7.4	Flat Head Cap Screw, 1/2"-13 X 1.75"	ES3536	1
7.5	Nut, Nylock, 1/2"-13	EM 689	1

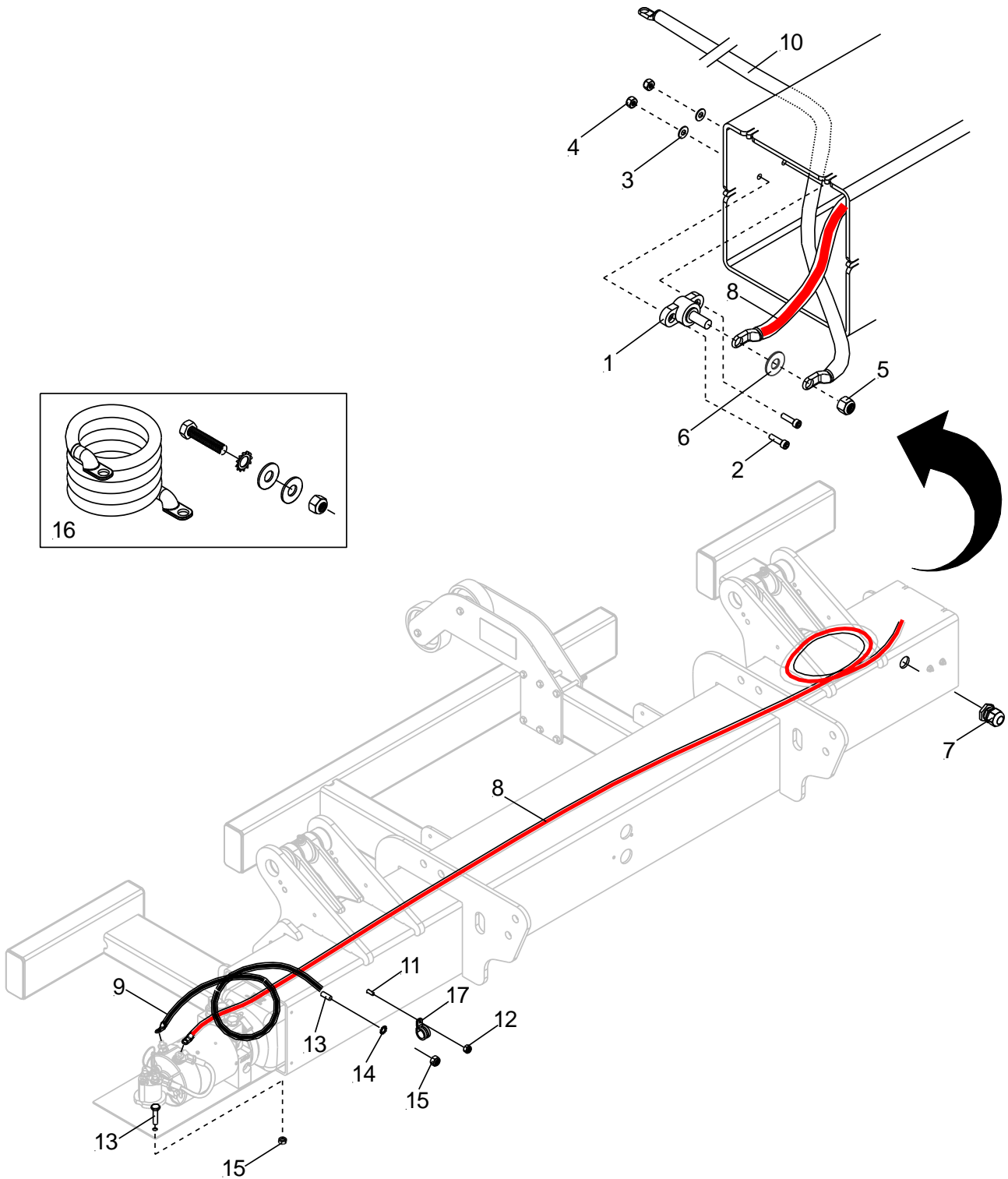
16 Battery Box Kits

INTERLIFT Liftgates use galvanized, galvanized, powder coat, paint, zinc, and other finishes on different liftgate models. It is important to specify what type of finish is required for the ordered replacement parts.



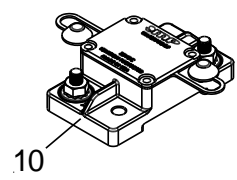
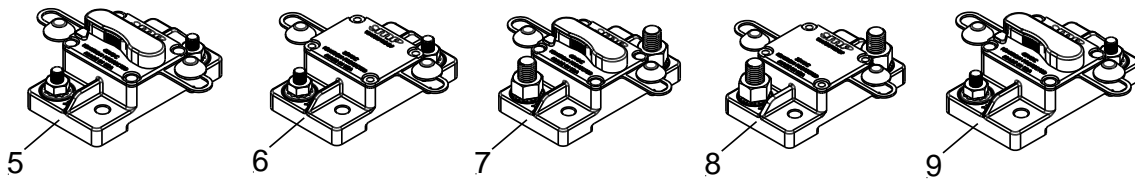
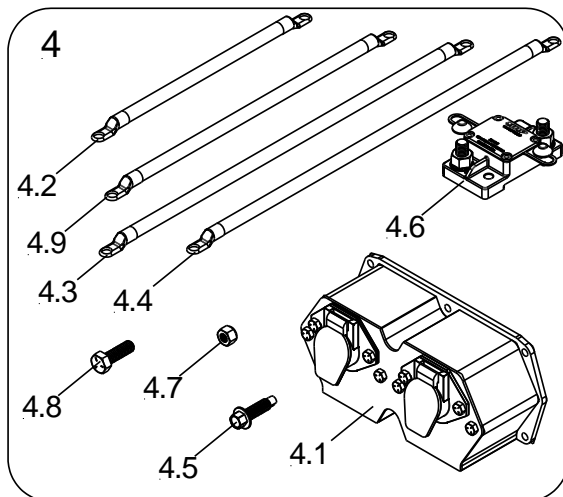
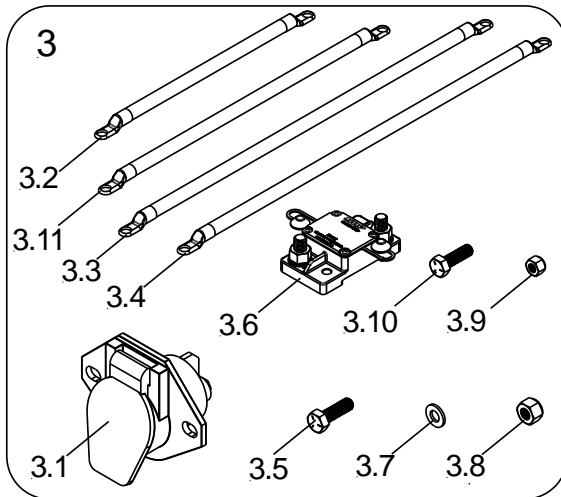
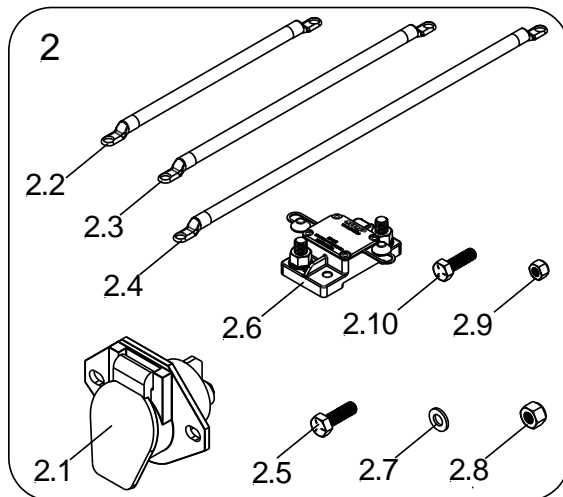
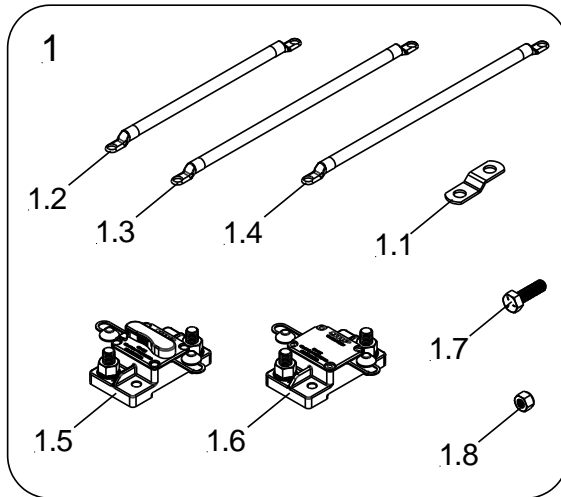
16 – BATTERY BOX KITS			
NO.	DESCRIPTION	PART NO.	QTY.
1	Battery Box Kit, 4-Battery, w/Channels	50-8016-100+G	1
1.1	Battery Box Base, Assembly, Large, Black	50-8016-001+B	1
	Battery Box Base, Assembly, Large, Galvanized	50-8016-001+G	1
1.2	Battery Box Lid Assembly, Aluminum	60-7515-012	1
1.3	Kit, 2-Battery Hold Down	60-7515-151	2
1.4	Nut, 3/8"-16, Gr.5	EM 532	1
1.5	Bus Bar, 2-Battery, Black	KET05916A	1
1.6	Bus Bar, 3-Battery, Black	KET05961A	1
1.7	Bus Bar, 3-Battery, Red	KET05962A	1
1.8	Bus Bar, 2-Battery, Red	KET06062A	1
1.9	Grommet, 7/8" Diameter Hole	EK3504	4
1.10	Washer, Split Lock, 3/8"	EK3238	1
1.11	Nut, Serrated, 3/8"-16; Stainless Steel	EM 781	8
1.12	Hex Head Cap Screw, 3/8"-16x1", Gr. 5, Zinc	ES3446	1
2	Battery Box Kit, 2-Battery	50-8016-200+G	1
2.1	Battery Box, Base, Assembly, 2-Battery	50-8016-201+G	1
2.2	Lid Assembly, Aluminum	60-7517-018	1
2.3	2-Battery Hold Down Kit	60-7515-151	1
2.4	Nut, 3/8"-16, Gr. 5	EM 532	1
2.5	Bus Bar, 2-Battery, Black	KET05916A	1
2.6	Bus Bar, 2-Battery, Red	KET06062A	1
2.7	Grommet, 7/8" Diameter Hole	EK3504	4
2.8	Washer, Split Lock, 3/8"	EK3238	1
2.9	Nut, Serrated, 3/8"-16, Stainless Steel	EM 781	4
2.10	Hex Head Cap Screw, 3/8"-16x1", Gr.5, Zinc	ES3446	1
3	Battery Box Kit, 2-Battery, w/Channels	60-7517-022+G	1
3.1	Battery Box, Base, Assembly, 2-Battery, w/Channels	60-7517-020+G	1
3.2	Lid Assy., Alum	60-7517-018	1
3.3	2-Battery Hold Down Kit	60-7515-151	1
3.4	Nut, 3/8"-16, Gr. 5	EM 532	1
3.5	Bus Bar, 2-Battery, Black	KET05916A	1
3.6	Bus Bar, 2-Battery, Red	KET06062A	1
3.7	Grommet, 7/8" Diameter Hole	EK3504	4
3.8	Washer, Split Lock, 3/8"	EK3238	1
3.9	Nut, Serrated, 3/8"-16, Stainless Steel	EM 781	4
3.10	Hex Head Cap Screw, 3/8"-16x1", Gr.5, Zinc	ES3446	1

17 Electrical



17 – ELECTRICAL			
No.	Description	Part No.	Qty.
1	Terminal Stud, 250A, 3/8-16, Red	70-1011-101	1
2	Socket Head Cap Screw, 10-24 X 3/4", Zinc	ES3448	2
3	Washer, Flat, #10, Zinc	EK3219	2
4	Nut, Nylock, 10-24, Gr.5, Zinc	EM 697	2
5	Nut, Nylock, 3/8-16, Gr. 5, Zinc	EM 708	1
6	Washer, Flat, 3/8"	EK3216	1
7	Strain Relief, 0.67" ID, 0.98" OD	70-1011-102	1
8	Battery Cable, 2 Ga X 108" (9 Ft.), 3/8" Holes, Red	KET06453A	1
9	Battery Cable, 2 Ga X 36" (3 Ft.), 3/8" Holes, Black	70-1011-104	1
10	Battery Cable, 2 Ga X 420" (35 Ft.), 5/16" Holes, Red	KET05637A	1
11	Hex Head Cap Screw., 1/4-20x1.0", Gr.5, Zinc	ES3443	1
12	Nut, Nylock, 1/4-20, Gr.5, Zinc	EM 713	1
13	Hex Head Cap Screw, 5/16-18x1.25", Gr. 5, Zinc	ES3975	2
14	Internal/External-Tooth Lock Washer, 5/16", Zinc	EK3573	2
15	Nut, Nylock, 5/16-18, Gr 5, Zinc	EM 710	2
16	Ground Cable Kit, Wire & Hardware, 40 ft.	70-1015-001	1
16.1	Wire, Battery Cable 2Ga., 40 ft., Black	KET05701A	1
16.2	Hex Head Cap Screw, 5/16-18x1.5", Gr.5, Zinc	ES3508	1
16.3	Nut, Nylock 5/16-18, Gr 5, Zinc	EM 710	1
16.4	Internal/External-Tooth Lock Washer, 5/16", Zinc	EK3573	1
17	Clamp, Rubber Cushioned, ø3/4"	ML1003121	2

18 Trailer/Truck Charge Kits

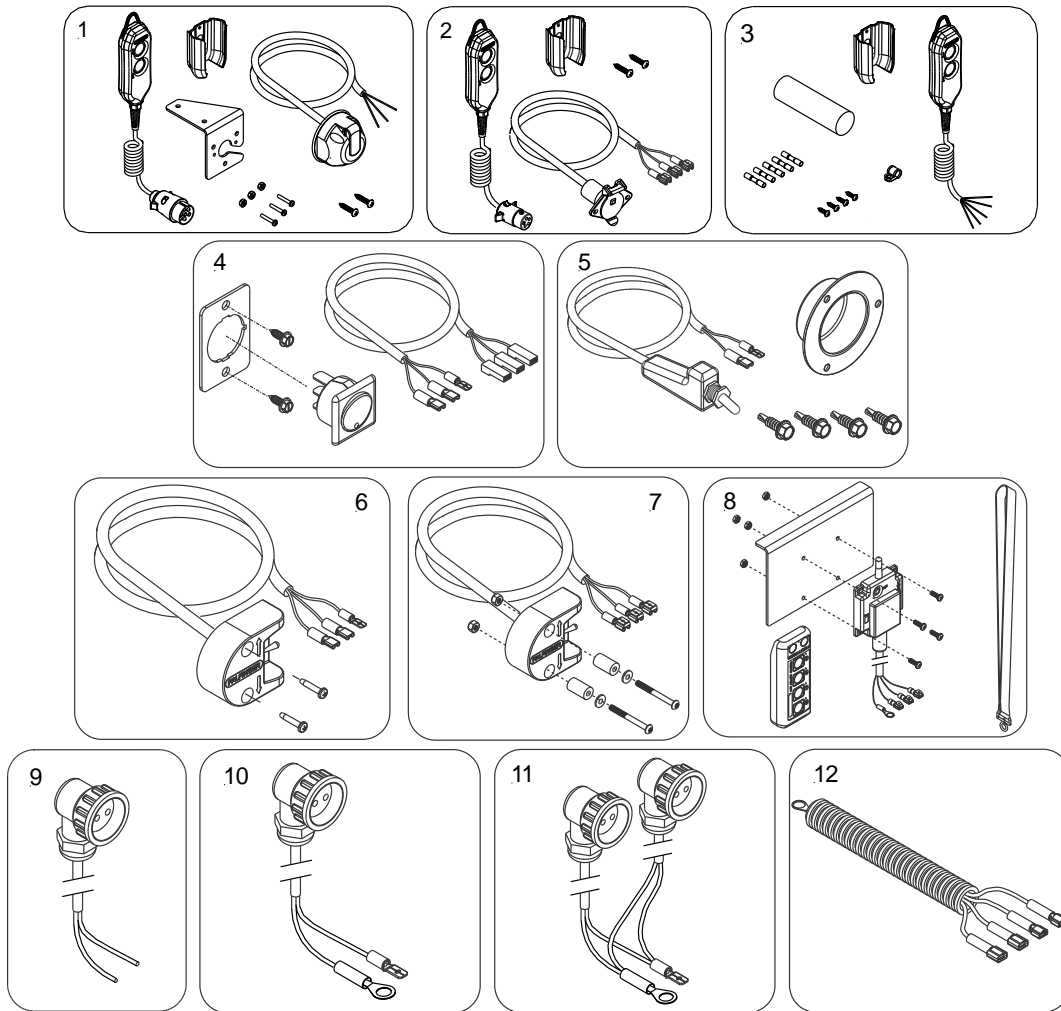


Palfinger Interlift, LLC.
 15939 Piuma Ave, Cerritos, CA 90703
 Tel: (888) 774-5844, Fax: (562) 924-8318

Palfinger Interlift, LLC.
 572 Whitehead Road, Trenton, NJ 08619
 Tel: (609) 587-4200, Fax: (609) 587-4201

18 – TRUCK/TRAILER CHARGE KITS			
No.	Description	Part No.	Qty.
1	Truck Kit, 40ft., Electrical	70-1115-100	1
1.1	Bus Bar, Copper	KET06537A	1
1.2	Cable, 2GA, 18", 3/8" Lugs, Red	KET05919A	1
1.3	Cable, 2GA, 74", 3/8" Lugs, Black	KET05925A	1
1.4	Cable, 2GA; 480", 3/8" Lugs, Red	KET06314A	1
1.5	Circuit Breaker, 175a, 3/8" Studs, Manual Reset	70-8114-009	1
1.6	Circuit Breaker, 175a, 3/8" Studs, Auto Reset	70-8114-008	1
1.7	Hex Head Cap Screw, 1/4-20x1.0", Gr.5, Zinc	ES3443	2
1.8	Nut, Nylock 1/4-20, Zinc	EM 722	2
2	Single Pole Kit, Trailer	70-1115-101	1
2.1	Socket, Single Pole	70-8015-019	1
2.2	Cable, 2GA, 18", 3/8" Lugs, Red	KET05919A	1
2.3	Cable, 2GA, 74", 3/8" Lugs, Black	KET05925A	1
2.4	Cable, 2GA; 480", 3/8" Lugs, Red	KET06314A	1
2.5	Hex Head Cap Screw, 5/16-18x1"	ES3724	1
2.6	Circuit Breaker, 175A, 3/8" Studs, Auto Reset	70-8114-008	1
2.7	Washer, Flat, 5/16"	EK3217	1
2.8	Nut, Nylock, 5/16-18	EM 710	1
2.9	Nut, Nylock, 1/4-20 Zinc	EM 722	1
2.10	Hex Head Cap Screw, 1/4-20x1.0", Gr.5, Zinc	ES3443	1
3	Dual Pole Kit, Trailer	70-1115-102	1
3.1	Socket, Dual Pole	70-8015-018	1
3.2	Cable, 2GA, 18", 3/8" Lugs, Red	KET05919A	1
3.3	Cable, 2GA, 480", 3/8" Lugs, Black	KET05701A	1
3.4	Cable, 2GA; 480", 3/8" Lugs, Red	KET06314A	1
3.5	Hex Head Cap Screw, 5/16-18x1"	ES3724	1
3.6	Circuit Breaker 175A, 3/8" Studs, Auto Reset	70-8114-008	1
3.7	Washer, Flat, 5/16"	EK3217	1
3.8	Nut, Nylock, 5/16-18	EM 710	1
3.9	Nut, Nylock, 1/4-20 Zinc	EM 722	1
3.10	Hex Head Cap Screw, 1/4-20x1.0", Gr.5, Zinc	ES3443	1
4	Single & Dual Pole Kit w/Nose Box, Trailer	70-1115-103	1
4.1	Nosebox, Single & Dual Pole Socket	70-8015-020	1
4.2	Cable, 2GA, 18", 3/8" Lugs, Red	KET05919A	1
4.3	Cable, 2GA, 480", 3/8" Lugs, Black	KET05701A	1
4.4	Cable, 2GA; 480", 3/8" Lugs, Red	KET06314A	1
4.5	Hex Head Cap Screw, Tapping, 5/16-18x1.25"	ES3733	1
4.6	Circuit Breaker 175A, 3/8" Studs, Auto Reset	70-8114-008	1
4.7	Nut, Nylock 1/4-20 Zinc	EM 722	1
4.8	Hex Head Cap Screw, 1/4-20x1.0", Gr.5, Zinc	ES3443	1
5	Circuit Breaker 175A, 1/4" Studs, Manual Reset	70-8115-000	1
6	Circuit Breaker 175A, 1/4" Studs, Auto Reset	70-8115-001	1
7	Circuit Breaker 150A, 3/8" Studs, Manual Reset	70-8115-002	1
8	Circuit Breaker 150A, 3/8" Studs, Auto Reset	70-8115-003	1
9	Circuit Breaker 150A, 1/4" Studs, Manual Reset	70-8115-004	1
10	Circuit Breaker 150A, 1/4" Studs, Auto Reset	70-8115-005	1

19 Controls

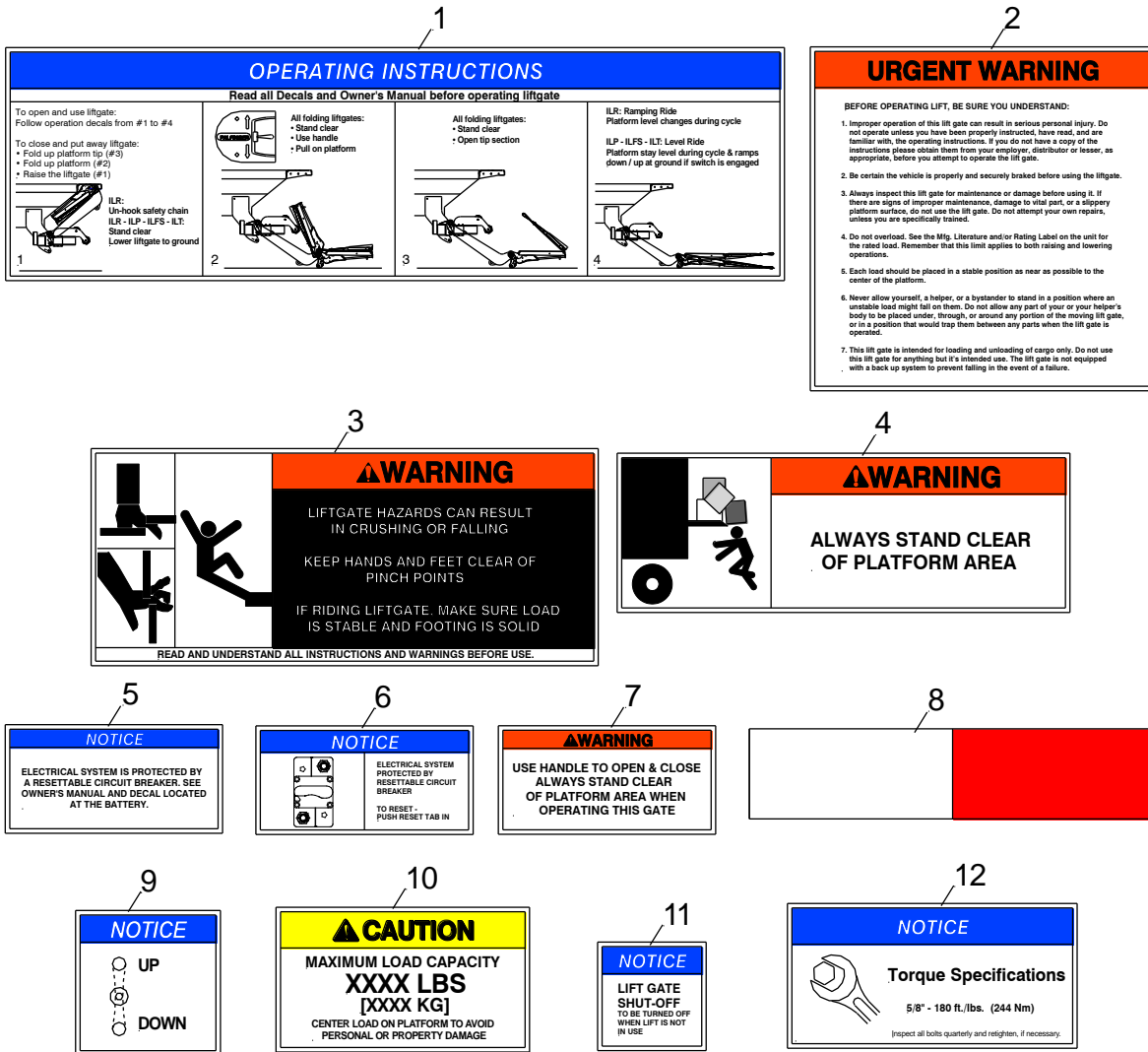


19 - CONTROLS			
No.	Description	Part No.	Qty.
1	2-Button Hand Control Kit, Plug and Socket, Hella	70-7516-100	1
2	2-Button Hand Control Kit, Plug & Socket, Coil Cord	70-7516-009	1
3	2-Button Hand Control Kit	70-7519-020	1
4	Cab Shut-off Switch Kit	70-0312-100	1
5	Switch, Trailer Kit, ON-OFF	70-8015-008	1
6	Toggle Switch Kit, Up/Down, Primary	P-2004565	1
7	Toggle Switch Kit, Up/Down, Secondary (Optional)	70-8016-050	1
8	Wireless Remote Kit, 2-Way Operation	70-8015-006	1
9	Harness, Solenoid Valve, 4,05m [13 ft.]	P-67254198	1
10	Cable, Valve, 1,85m [6 ft.]	P-2032874	1
11	Harness, Solenoid Valve, Double, Spade and Ring Terminals, 2,85m [9 ft.]	P-2028281	1
12	Harness, Power Down	70-1011-100	1

Palfinger Interlift, LLC.
 15939 Piuma Ave, Cerritos, CA 90703
 Tel: (888) 774-5844, Fax: (562) 924-8318

Palfinger Interlift, LLC.
 572 Whitehead Road, Trenton, NJ 08619
 Tel: (609) 587-4200, Fax: (609) 587-4201

20 Decals



20 - DECALS			
No.	Description	Part No.	Qty.
1	Operational Instruction	ATG-ILR-ILFS	1
2	Urgent Warning Decal	ATG-URGWA	1
3	Warning- Liftgate Hazards	ATG-WLH	2
4	Warning- Stand Clear	ATG-PLAT	2
5	Electrical System	ATG-RESET	1
6	Circuit Breaker, Blue	ATG-BKR	1
7	Warning, Use Handle To Open	ATG-WNG	1
8	Conspicuity Tape, 2"X82", Roll	85-1114-003	1
9	Up/Down, MBB OS# 1282134	ATG-UD	1
10	Liftgate Capacity	ATG-XXXX*	2
11	Liftgate Shut Off	ATG-CAB	1
12	Torque Specifications	85-1015-000	2

*XXXX = LIFTGATE CAPACITY [EXAMPLE PART NUMBER: ATG-2500]

Palfinger Interlift, LLC.
 15939 Piuma Ave, Cerritos, CA 90703
 Tel: (888) 774-5844, Fax: (562) 924-8318

Palfinger Interlift, LLC.
 572 Whitehead Road, Trenton, NJ 08619
 Tel: (609) 587-4200, Fax: (609) 587-4201



Palfinger Interlift, LLC.
15939 Piuma Ave, Cerritos, CA 90703
Tel: (888) 774-5844, Fax: (562) 924-8318

Palfinger Interlift, LLC.
572 Whitehead Road, Trenton, NJ 08619
Tel: (609) 587-4200, Fax: (609) 587-4201