

INTERLIFT

BY **PALFINGER**

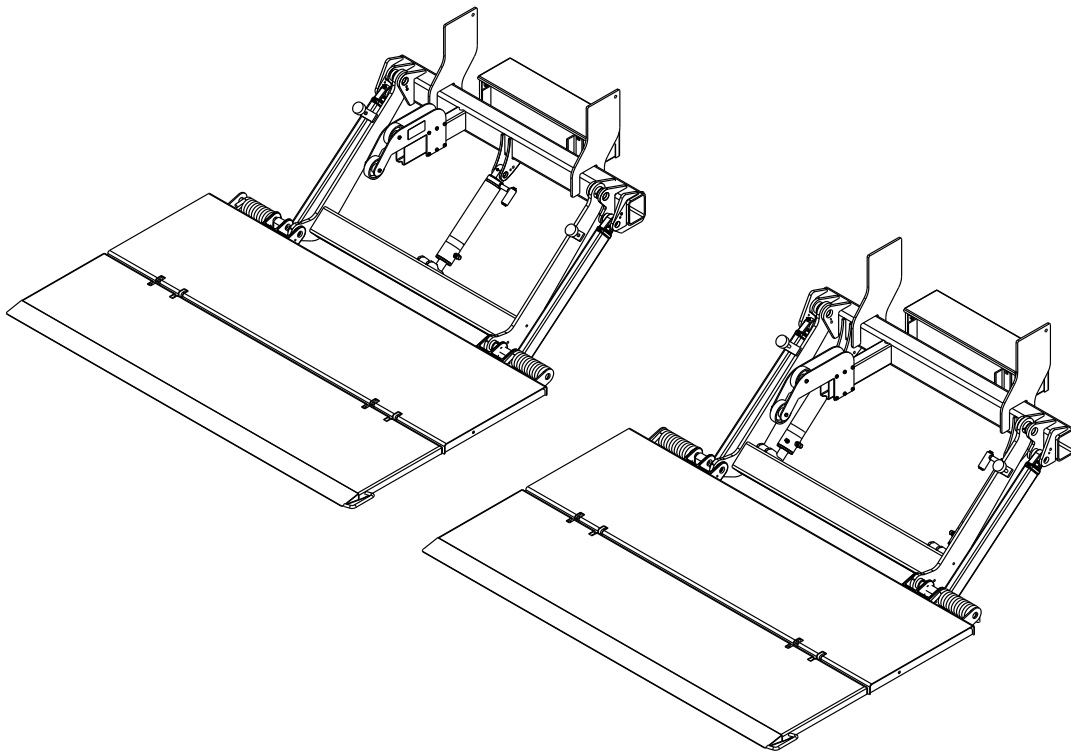
PARTS MANUAL

PLR 20S, 2000 lbs. Capacity

PLR 25S, 2500 lbs. Capacity

PLR 25D, 2500 lbs. Capacity

PLR 33D, 3300 lbs. Capacity



PLR 20S/25S/25D/33D Parts Manual
Document Part Number: 90-0316-004 / 16-695_90-00_00-04
ECN-M1723, Rev. 1.3, 12-07-23
Copyright © 2023 Palfinger Interlift, LLC.
All rights reserved.

Information in this document is subject to change without notice.
Visit www.palfinger.com for up to date information and notifications.

If you received this product with damaged or missing parts,
contact INTERLIFT Liftgates at (888)-774-5844

Parts Order/Inquiries
liftgateparts@palfinger.com

Technical Support
technicalapplications@palfinger.com



BY **PALFINGER**

15939 Piuma Ave.
Cerritos, CA 90703
Tel (888) 774-5844
Fax (562) 924-8318



BY **PALFINGER**

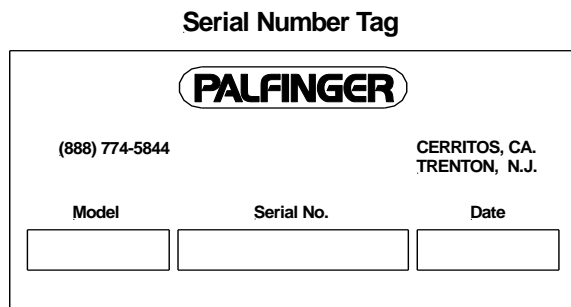
572 Whitehead Road.
Trenton, NJ 08619
Tel (609) 587-4200
Fax (609) 587-4201

Parts Orders:

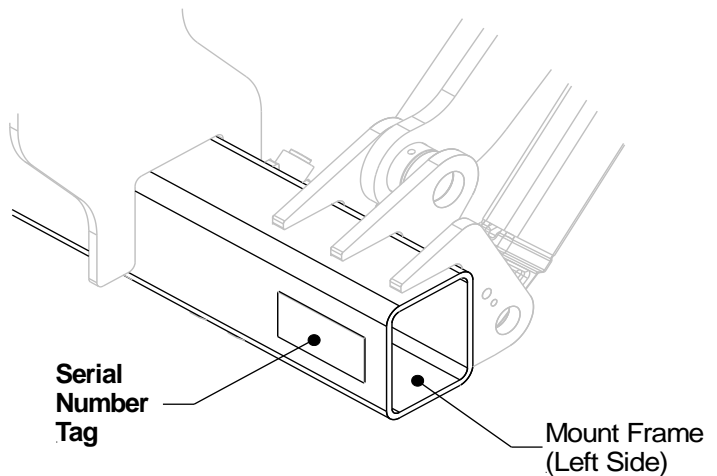
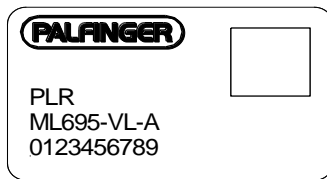
- There is a \$50.00 minimum parts order.
- Ground freight is free for spare parts orders exceeding \$1,500.00, excluding platforms, runners, mount frames and other main assemblies.
- Contact parts department, our hours are from 8 am EST in NJ until 5 pm PST in CA
- California: (888) 774-5844, or (562)924-8218, ext. 97, 29 , or 15; Fax: (562) 924-8318.
New Jersey: at (609) 587-4200; Fax: (609) 587-4201.
E-mail orders or inquiries for both locations to: liftgateparts@palfinger.com
- Next Day Air shipments must be received by 2:30 pm local time at either location.
- To ensure quick delivery when placing an order, please be sure to include: liftgate model, serial number, part number, and description in accordance with spare Parts List.
- Any parts being returned must have Return Merchandise Authorization (RMA) number, copy of invoice and a detailed packing list of returned parts. RMA numbers will be issued by parts department and are valid for 30 days. All returned RMA parts must be returned to INTERLIFT Liftgates by prepaid freight or by call tag.
- Parts must be returned in NEW CONDITION. To receive credit on returned parts, the original purchase date must be within 6 month and authorized by INTERLIFT Liftgates.
- Returned parts are subject to a 20% restocking charge.
- Any part received not in new condition will be subject to inspection and possible refusal. All INTERLIFT Liftgates parts are covered for one year from date of purchase against defects in material and workmanship.
- **Warranty Coverage: part replacement only.**

Important Liftgate Information:

1. Liftgate serial information can be found on the driver side column. Please have the liftgate information ready when ordering parts to assure parts are replaced accurately.



OR



2. The finish for many parts differs from liftgate to liftgate. It is important to specify what type of finish the replacement part(s) has. INTERLIFT Liftgates uses galvanized, galvanized, powder coat, paint, and zinc coated components on the different models of liftgates. If not sure what finish is on the part(s), mention this to the Parts Department Representative.

Table of Contents

1 Frame 6

 1.1 Single Cylinder Frame..... 6

 1.2 Dual Cylinder Frame 8

2 Lift Cylinders 10

 2.1 Single Cylinder Liftgates 10

 2.2 Dual Cylinder Liftgates..... 10

3 Pins..... 12

 3.1 Single Cylinder Frame..... 12

 3.2 Dual Cylinder Frame 13

4 Aluminium Platforms..... 14

5 Steel Platforms 16

6 Steel/Aluminum Platforms 18

7 Platform Cart Stops..... 20

 7.1 Aluminum Platforms..... 20

 7.2 Steel Platforms 21

8 Hydraulic Power Unit..... 22

9 Hydraulic Pump Box Kits 23

10 Hydraulic Kits 24

 10.1 Single Cylinder Gravity Down Kits..... 24

 10.2 Single Cylinder Power Down Kits..... 25

 10.3 Dual Cylinder Gravity Down Kits 26

 10.4 Dual Cylinder Power Down Kits 28

11 Bed Extensions..... 30

12 Dock Bumpers Walk Ramp Extensions 31

13 Dock Bumpers 32

14 Dock Bumper Light Kits..... 34

15 Dock Bumpers Rubber Pads 36

16 Dock Bumper Steps..... 37

17 Battery Box Kits..... 38

18 Trailer/Truck Charge Kits..... 40

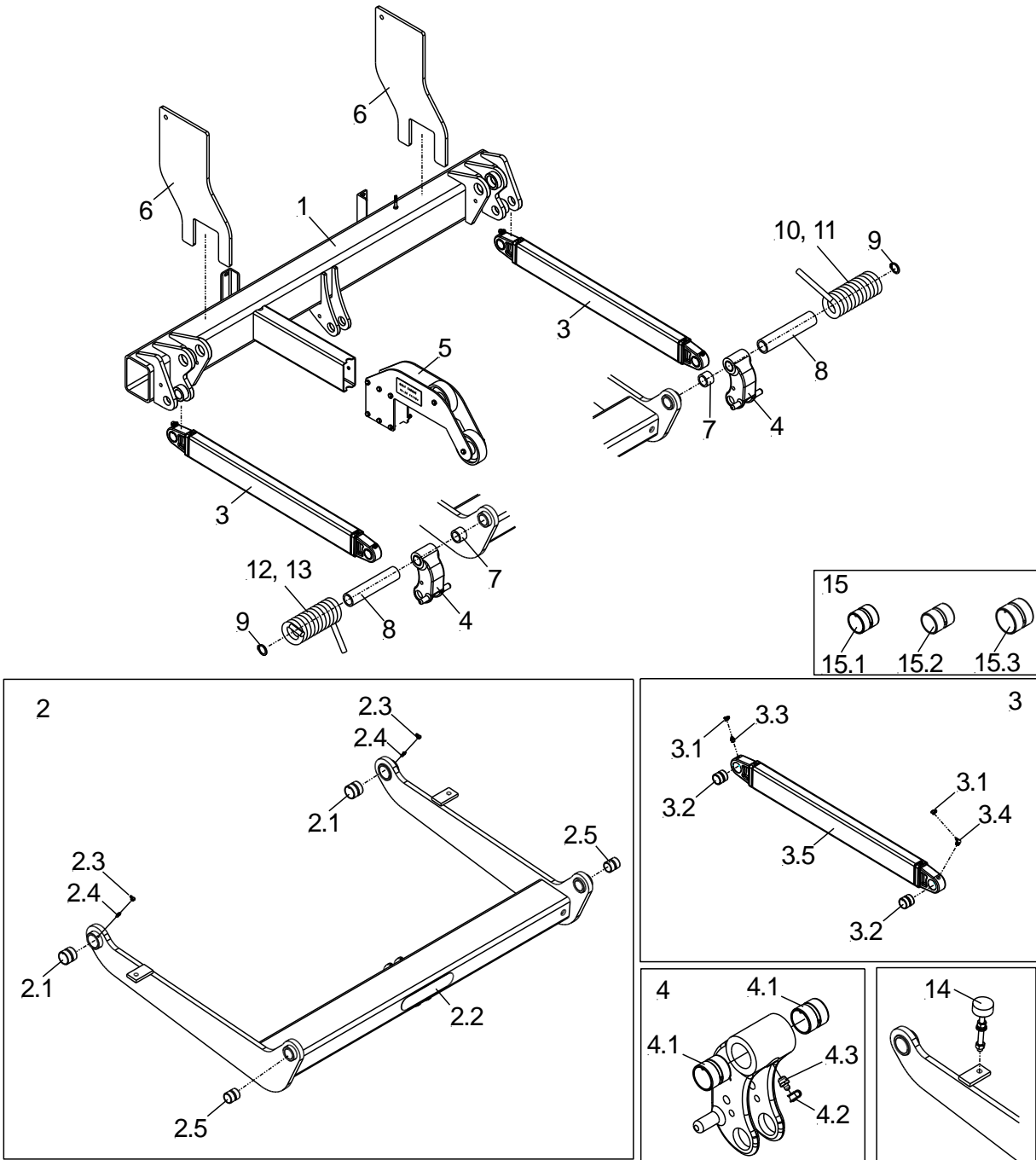
19 Controls..... 42

20 Decals..... 43

Frame

1.1 Single Cylinder Frame

INTERLIFT Liftgates use galvanized, galvanized, powder coat, paint, zinc, and other finishes on different liftgate models. It is important to specify what type of finish is required for the ordered replacement parts.

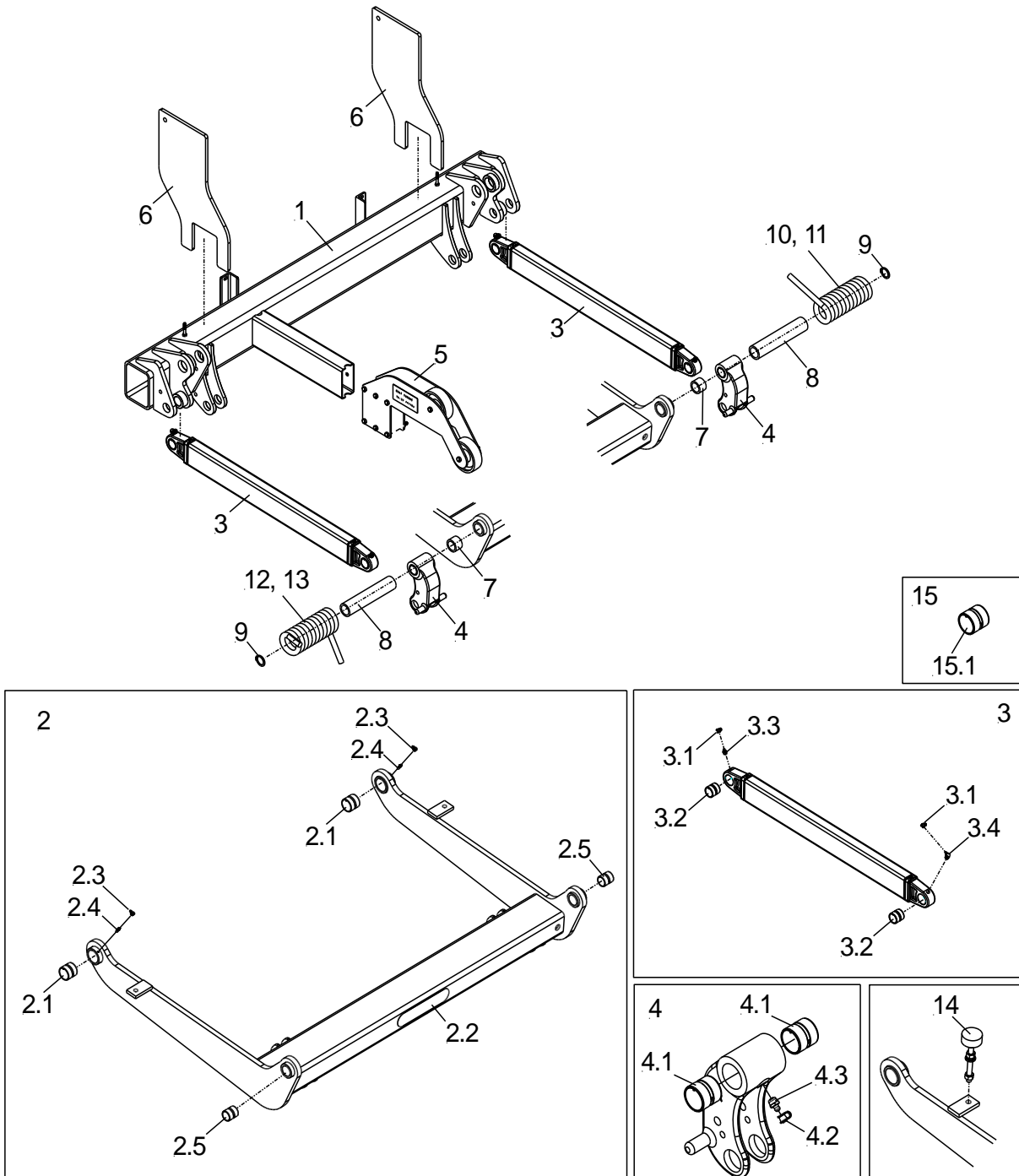


1.1 – SINGLE CYLINDER FRAME			
NO.	DESCRIPTION	PART NO.	QTY.
1	Mount Frame Assembly, Single Cylinder, Black	01-0314-660+B	1
	Mount Frame Assembly, Single Cylinder, Galvanized	01-0314-660+G	1
2	Liftarm Assembly, 800mm, Single Cylinder, Black	10-0315-300+B	1
	Liftarm Assembly, 800mm, Single Cylinder, Galvanized	10-0315-300+G	1
	Liftarm Assembly, 900mm, Single Cylinder, Black	10-0315-400+B	1
	Liftarm Assembly, 900mm, Single Cylinder, Galvanized	10-0315-400+G	1
2.1	Bushing, 36mm ID x 40mm OD x 36mm L	ELG1037	2
2.2	Palfinger Name Plate	85-0315-100	1
2.3	Cap, Zerk Fitting	P-1191680	1
2.4	Zerk Fitting; 1/4"-28	EA6087	1
2.5	Bushing, 28mm ID x 32mm OD x 36mm L	ELG1036	2
3	Parallel Arm Assembly, 800mm, Black	15-0315-001+B	1
	Parallel Arm Assembly, 800mm, Galvanized	15-0315-001+G	1
	Parallel Arm Assembly, 900mm, Black	15-1014-002+B	1
	Parallel Arm Assembly, 900mm, Galvanized	15-1014-002+G	1
3.1	Cap, Zerk Fitting	P-1191680	2
3.2	Bushing, 28mm ID x 32mm OD x 31mm L	ELG1039	2
3.3	Grease Zerk Fitting, M10x1	EA-005	1
3.4	Grease Zerk Fitting, 90°, M10x1 mm	EA-023	1
4	Shackle Kit, 125mm, Galvanized	25-0315-100+G	1
4.1	Bushing, ø28mm ID X 32mm OD X 31mm L	ELG1039	2
4.2	Cap, Zerk Fitting	P-1191680	1
4.3	Zerk Fitting M10 X 1mm	EA-005	1
5	Parting Wheel Kit, Black	60-1009-000	1
	Parting Wheel Kit, Galvanized	60-1009-000+G	1
6	Mount Plate, Weld-On	06-0314-300	2
7	Spacer, Liftarm, Zinc	25-0113-875	2
8	Spacer, Spring, ø40 X 5 X 192mm, Plastic	P-1228526	2
9	External Retaining Ring	EQ1661	2
10	Torsion Spring, Right Side, Standard, Black	ML20-0116-002+B	1
11	Torsion Spring, Right Side, Heavy Duty, Gray	20-0113-002	1
12	Torsion Spring, Left Side Standard, Black	ML20-0116-001+B	1
13	Torsion Spring, Left Side Heavy Duty, Gray	20-0113-001	1
14	Rubber Snubber Kit	P-1128624	2
15	Bushing Kit, Single Cylinder	75-0318-400	1
15.1	Bushing, 28mm ID x 32mm OD x 31mm L	ELG1039	10
15.2	Bushing, 28mm ID x 32mm OD x 36mm L	ELG1036	2
15.3	Bushing, 36mm ID x 40mm OD x 36mm L	ELG1037	2

*Mount frame configurations with aluminum platform sizes 42" and 48" do not get a driver side spring. All other configurations get a Standard or Heavy Duty spring on right side and left side.

1.2 Dual Cylinder Frame

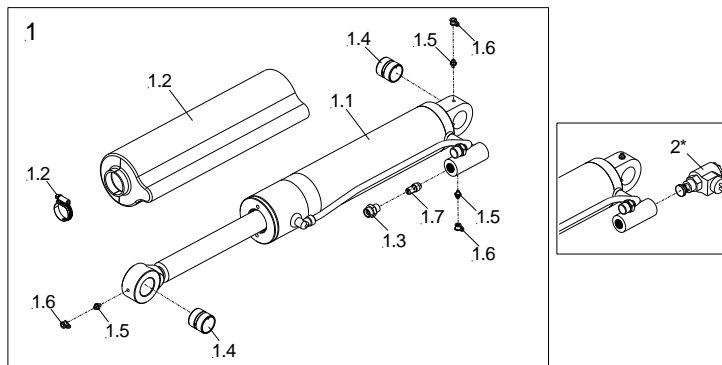
INTERLIFT Liftgates use galvanized, galvanized, powder coat, paint, zinc, and other finishes on different liftgate models. It is important to specify what type of finish is required for the ordered replacement parts.



1.2 - DUAL CYLINDER FRAME			
NO.	DESCRIPTION	PART NO.	QTY.
1	Mount Frame Assembly, Dual Cylinder, Black	01-0314-760+B	1
	Mount Frame Assembly, Dual Cylinder, Galvanized	01-0314-760+G	1
2	Liftarm Assembly, 800mm, Dual Cylinder, Black	10-0315-100+B	1
	Liftarm Assembly, 800mm, Dual Cylinder, Galvanized	10-0315-100+G	1
	Liftarm Assembly, 900mm, Dual Cylinder, Black	10-0315-200+B	1
	Liftarm Assembly, 900mm, Dual Cylinder, Galvanized	10-0315-200+G	1
2.1	Bushing, 36mm ID x 40mm OD x 36mm L	ELG1037	2
2.2	Palfinger Name Plate	85-0315-100	1
2.3	Cap, Zerk Fitting	P-1191680	1
2.4	Zerk Fitting; 1/4"-28	EA6087	1
2.5	Bushing, 28mm ID x 32mm OD x 36mm L	ELG1036	2
3	Parallel Arm Assembly, 800mm, Black	15-0315-001+B	1
	Parallel Arm Assembly, 800mm, Galvanized	15-0315-001+G	1
	Parallel Arm Assembly, 900mm, Black	15-1014-002+B	1
	Parallel Arm Assembly, 900mm, Galvanized	15-1014-002+G	1
3.1	Cap, Zerk Fitting	P-1191680	2
3.2	Bushing, 28mm ID x 32mm OD x 31mm L, Bronze	ELG1039	2
3.3	Grease Zerk Fitting, M10x1x15.3mm	EA-005	1
3.4	Grease Zerk Fitting, 90°, M10 x 1 mm	EA-023	1
4	Shackle Kit, 125mm, Galvanized	25-0315-100+G	1
4.1	Bushing, ø28mm ID X 32mm OD X 31mm L, Bronze	ELG1039	2
4.2	Cap, Zerk Fitting	P-1191680	1
4.3	Zerk Fitting, M10 X 1mm	EA-005	1
5	Kit, Parting Wheel, Galvanized	60-1009-000+G	1
6	Mount Plate, Weld On	06-0314-300	2
7	Spacer, Liftarm, Steel, Zinc	25-0113-875	2
8	Spacer, Spring, ø40 X 5 X 192mm, Plastic	P-1228526	2
9	External Retaining Ring	EQ1661	2
10	Torsion Spring, Right Side, Standard, Black	ML20-0116-002+B	1
11	Torsion Spring, Right Side, Heavy Duty, Gray	20-0113-002	1
12	Torsion Spring, Left Side Standard, Black	ML20-0116-001+B	1
13	Torsion Spring, Left Side Heavy Duty, Gray	20-0113-001	1
14	Rubber Snubber Kit (Not included with Item-2)	P-1128624	2
15	Bushing Kit, Dual Cylinder (75-0318-400 required)	75-0318-500	1
15.1	Bushing, ø28mm ID X 32mm OD X 31mm L, Bronze	ELG1039	2

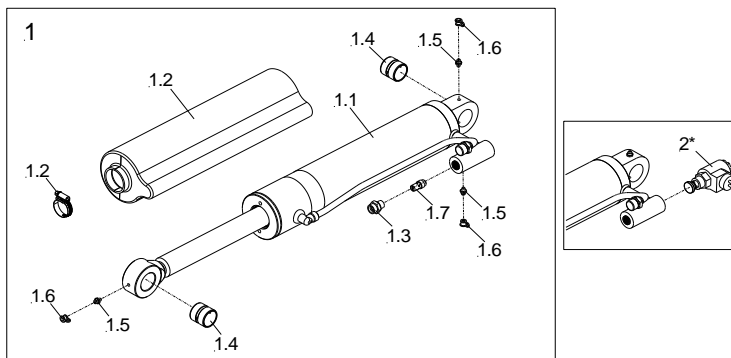
2 Lift Cylinders

2.1 Single Cylinder Liftgates



2.1 - SINGLE CYLINDER LIFTGATES			
NO.	DESCRIPTION	PART NO.	QTY.
1	Cylinder Assembly, 70mm, w/Rubber Boot Kit	40-0314-200	1
1.2	Cylinder Rubber Boot Kit	ML40-0320-010	1
1.3	Adapter, 1/4" BSP X 10L	EA6236	1
1.4	Bushing, 28mm ID X 32mm OD X 31mm, Bronze	ELG1039	2
1.5	Grease Zerk Fitting, M10X1X15.3mm	EA-005	3
1.6	Cap, Grease Zerk, Plastic, Red	P-1191680	3
1.7	Restrictor, 4L/Min	P-1363828	1
2*	Valve, Release, 12V, Single Lock	P-67282345	1
	Valve, Release, 24V, Single Lock		

2.2 Dual Cylinder Liftgates



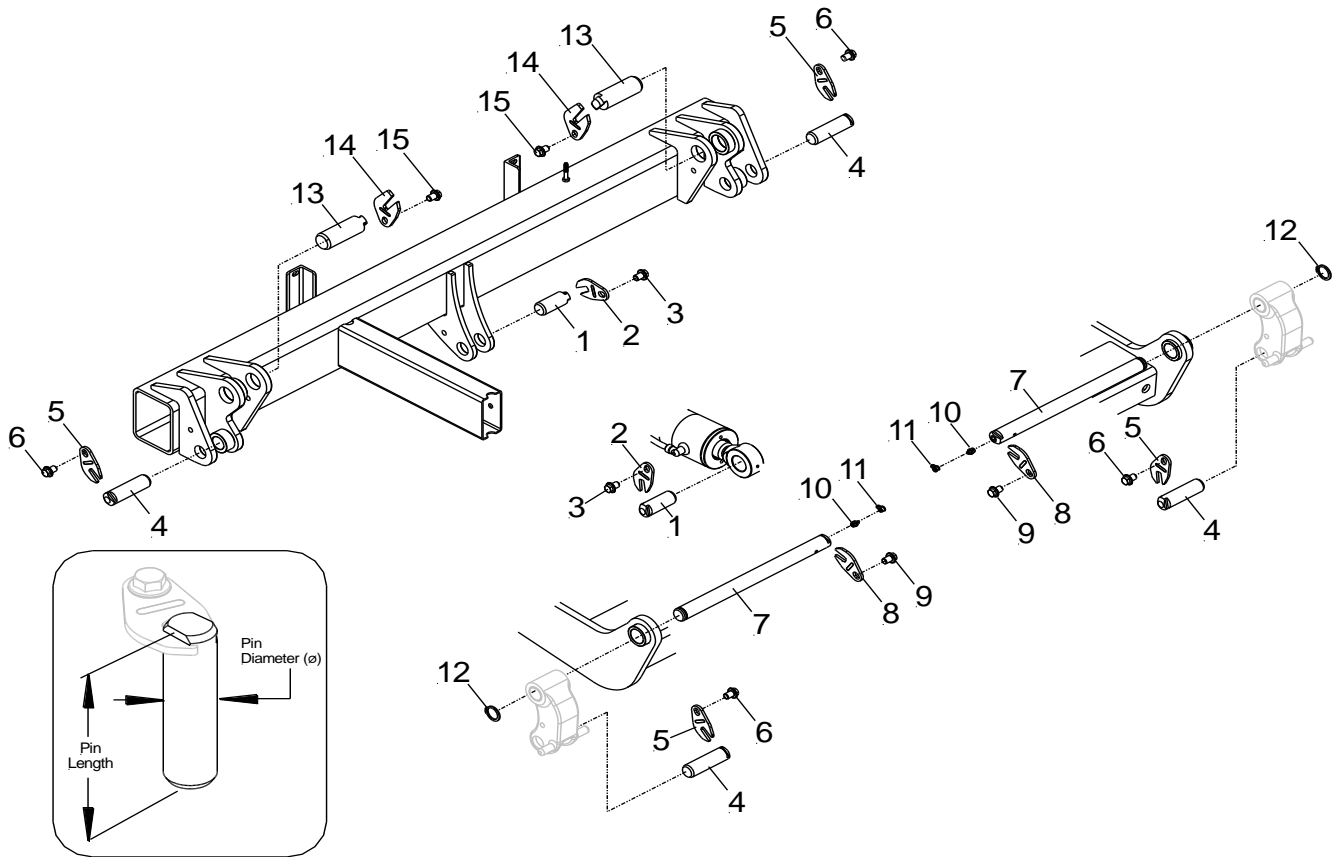
2.2 - DUAL CYLINDER LIFTGATES			
NO.	DESCRIPTION	PART NO.	QTY.
1	Cylinder Assembly, 63mm, w/Rubber Boot Kit	40-1015-200	1
1.2	Cylinder Rubber Boot Kit	ML40-0320-010	1
1.3	Adapter, 1/4" BSP X 10L	EA6236	1
1.4	Bushing, 28mm ID X 32mm OD X 31mm, Bronze	ELG1039	2
1.5	Grease Zerk Fitting, M10X1X15.3mm	EA-005	3
1.6	Cap, Grease Zerk, Plastic, Red	P-1191680	3
1.7	Restrictor, 4L/Min	P-1363828	1
2*	Valve, Release, 12V, Single Lock	P-67282345	1
	Valve, Release, 24V, Single Lock		

**Item-2 is not included with Item-1. Item-2 is sold separately.*

NOTES

3 Pins

3.1 Single Cylinder Frame

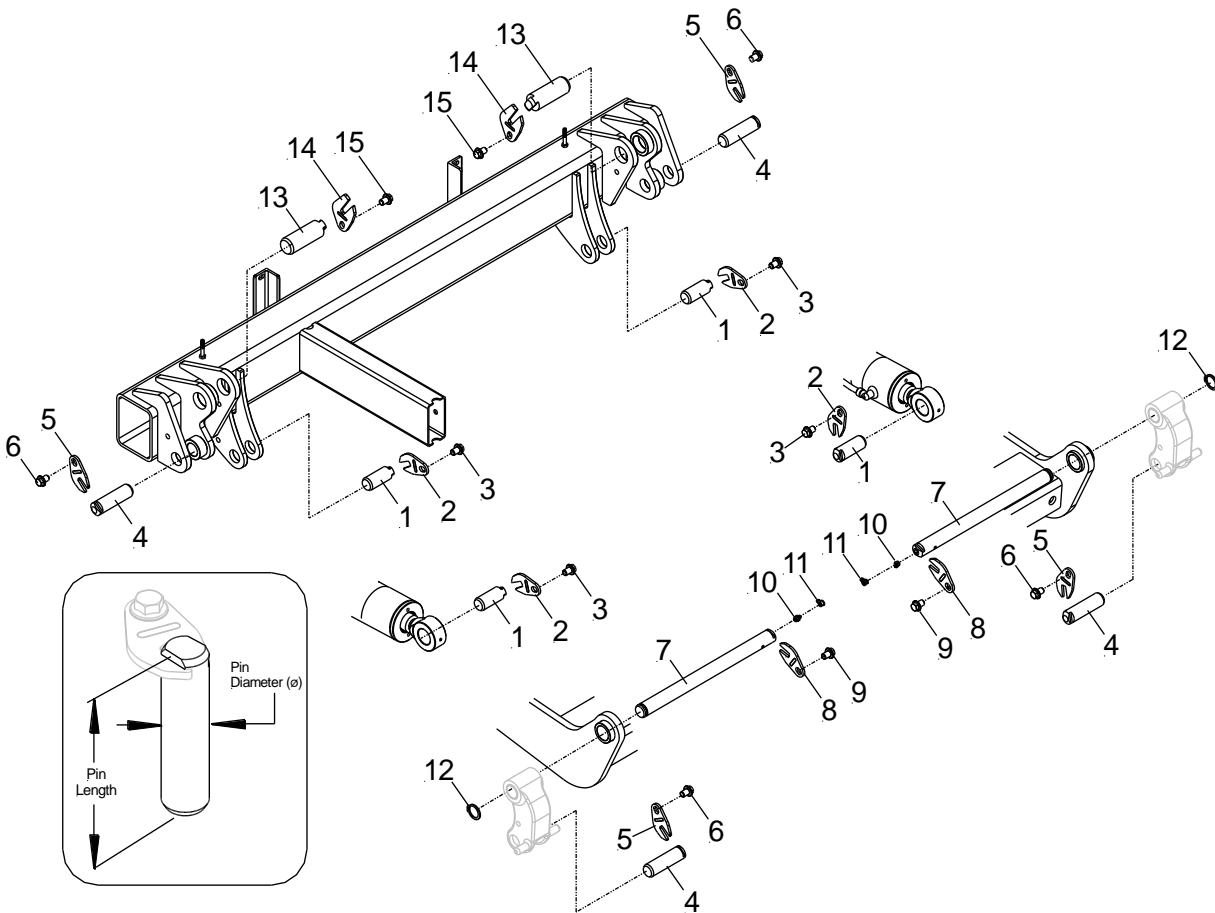


3.1 – SINGLE CYLINDER FRAME PINS			
NO.	DESCRIPTION	PART NO.	QTY.
1	Pin, $\varnothing 28 \times 70\text{mm}$, [$\varnothing 1.1 \times 2.75\text{L}$], SS	ML2054047	2
2	Pin Plate, Small	2028340	1
3	Bolt, Pin Plate, M12x16mm	2039050	1
4	Pin, $\varnothing 28 \times 100\text{mm}$, [$\varnothing 1.1 \times 4\text{L}$], SS	2039537	4
5	Pin Plate, Small	2028340	1
6	Bolt, Pin Plate, M12x16mm	2039050	1
7	Pin, $\varnothing 28 \times 381\text{mm}$, [$\varnothing 1.1 \times 15\text{L}$], Grease Zerk, SS	2044138	2
8	Pin Plate, Small	2028340	1
9	Bolt, Pin Plate, M12x16mm	2039050	1
10	Grease Zerk Fitting, M10x1X15mm	EA-005	2
11	Grease Zerk Cap, Plastic, Red	P-1191680	2
12	Retaining Ring	EQ1661	2
13	Pin, $\varnothing 36 \times 104\text{mm}$ [$\varnothing 1.4 \times 4\text{L}$], SS	2039100	2
14	Pin Plate, Large	2027558	2
15	Bolt, Pin Plate, M12x16mm	2039050	2
16	Pin Kit, Single Cylinder	75-0318-100	1
17	Pin Kit, Single Cylinder, 42" & 48", Alum-Alum, Platforms	75-0318-200	1
18	Pin Kit, Dual Cylinder, Add On Kit (Add on to 75-0318-100 or 75-0318-200)	75-0318-300	1

Palfinger Interlift, LLC.
 15939 Piuma Ave, Cerritos, CA 90703
 Tel: (888) 774-5844, Fax: (562) 924-8318

Palfinger Interlift, LLC.
 572 Whitehead Road, Trenton, NJ 08619
 Tel: (609) 587-4200, Fax: (609) 587-4201

3.2 Dual Cylinder Frame

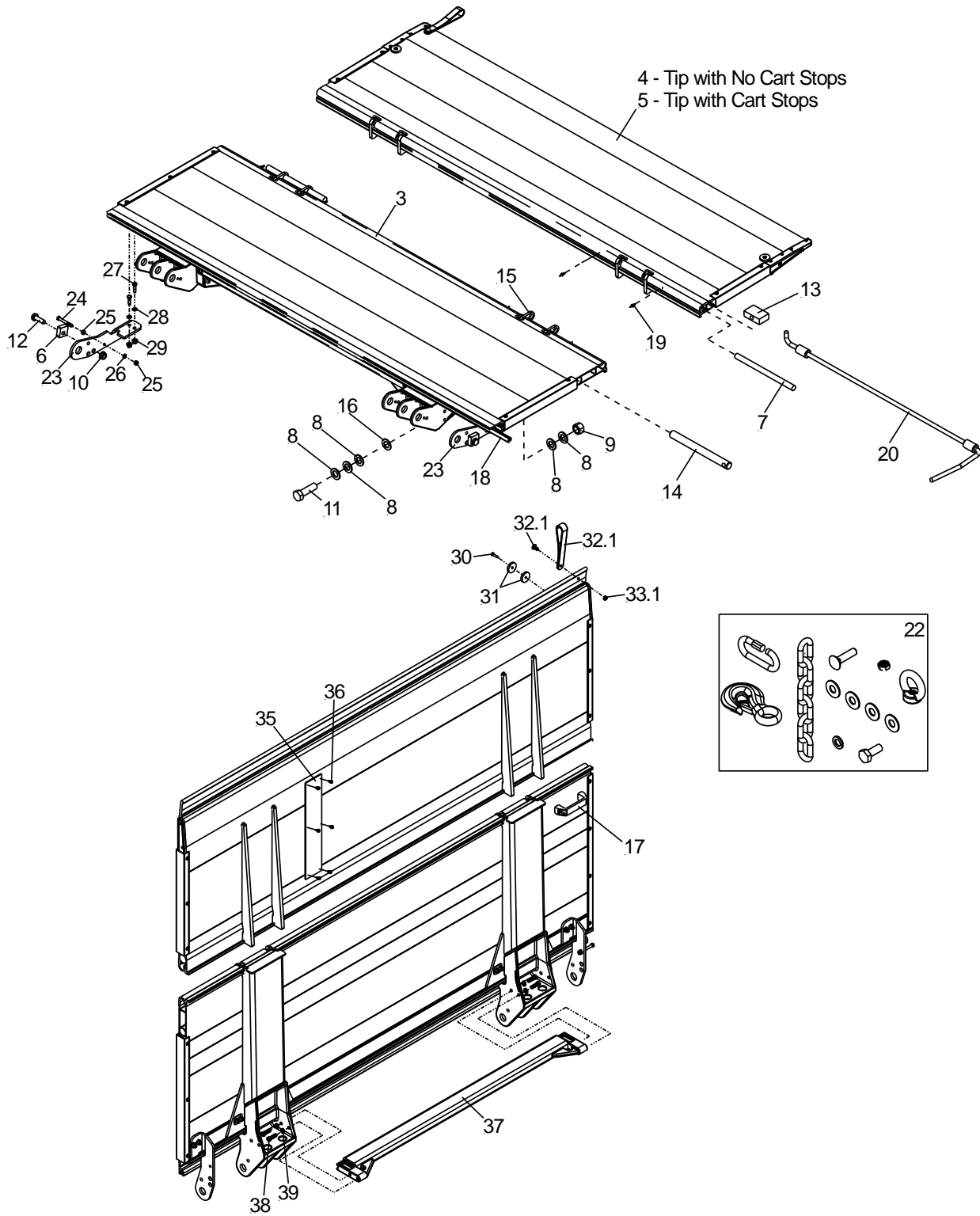


3.2 – DUAL CYLINDER FRAME PINS			
NO.	DESCRIPTION	PART NO.	QTY.
1	Pin, $\varnothing 28 \times 70\text{mm}$, [$\varnothing 1.1 \times 2.75''\text{L}$], SS	ML2054047	4
2	Pin Plate, Small	2028340	1
3	Bolt, Pin Plate, M12x16mm	2039050	1
4	Pin, $\varnothing 28 \times 100\text{mm}$, [$\varnothing 1.1 \times 4''\text{L}$], SS	2039537	4
5	Pin Plate, Small	2028340	1
6	Bolt, Pin Plate, M12x16mm	2039050	1
7	Pin, $\varnothing 28 \times 381\text{mm}$, [$\varnothing 1.1 \times 15''\text{L}$], Grease Zerk, SS	2044138	2
8	Pin Plate, Small	2028340	1
9	Bolt, Pin Plate, M12x16mm	2039050	1
10	Gease Zerk Fitting, M10x1X15mm	EA-005	2
11	Grease Zerk Cap, Plastic, Red	P-1191680	2
12	Retaining Ring	EQ1661	2
13	Pin, $\varnothing 36 \times 104\text{mm}$ [$\varnothing 1.4 \times 4''\text{L}$], SS	2039100	2
14	Pin Plate, Large	2027558	2
15	Bolt, Pin Plate, M12x16mm	2039050	2
16	Pin Kit, Single Cylinder	75-0318-100	1
17	Pin Kit, Single Cylinder, 42" & 48", Alum-Alum, Platforms	75-0318-200	1
18	Pin Kit, Dual Cylinder, Add On Kit (Add on to 75-0318-100 or 75-0318-200)	75-0318-300	1

Palfinger Interlift, LLC.
 15939 Piuma Ave, Cerritos, CA 90703
 Tel: (888) 774-5844, Fax: (562) 924-8318

Palfinger Interlift, LLC.
 572 Whitehead Road, Trenton, NJ 08619
 Tel: (609) 587-4200, Fax: (609) 587-4201

4 Aluminium Platforms



Palfinger Interlift, LLC.
15939 Piuma Ave, Cerritos, CA 90703
Tel: (888) 774-5844, Fax: (562) 924-8318

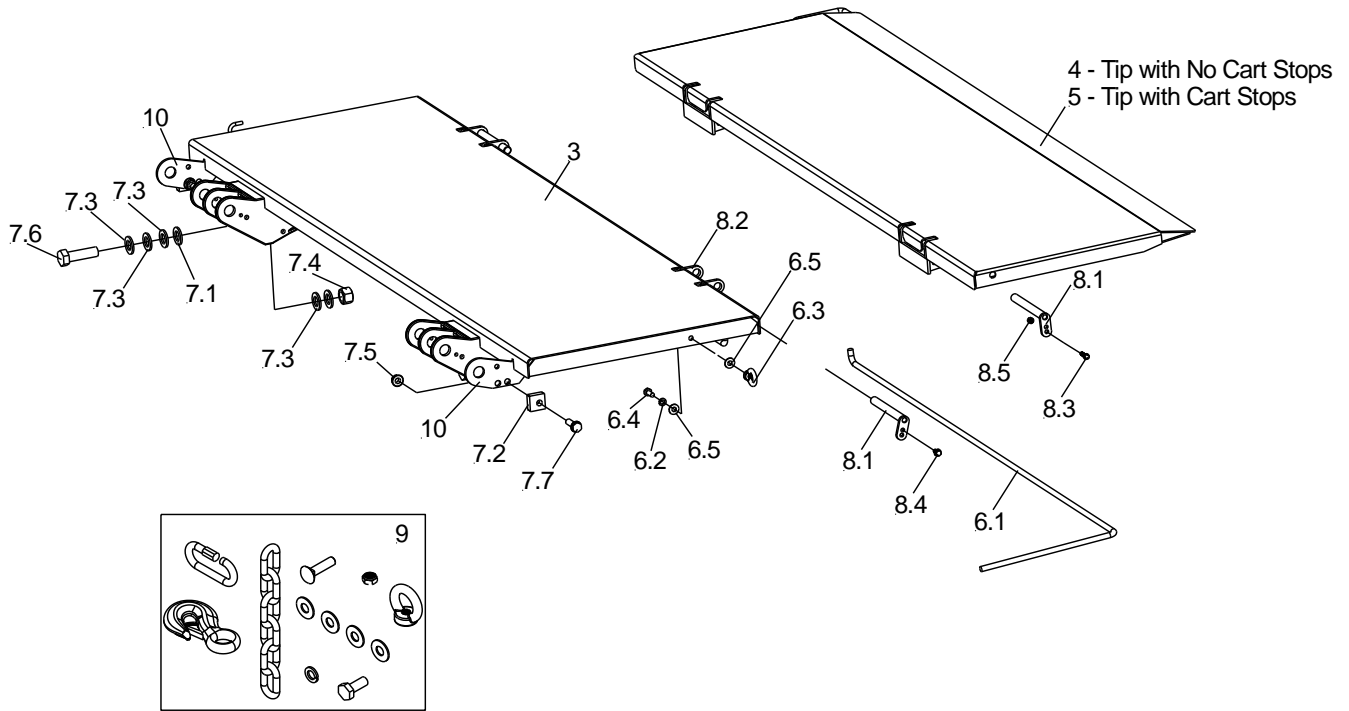
Palfinger Interlift, LLC.
572 Whitehead Road, Trenton, NJ 08619
Tel: (609) 587-4200, Fax: (609) 587-4201

4 - ALUMINUM/ALUMINUM PLATFORM						
NO.	DESCRIPTION	PART NO.				QTY.
		42"	48"	54"	60"	
1	Platform Assy, Alum./Alum., no Cart Stops	20-0315-300*	20-0315-100*	20-0315-400	20-0315-200	1
2	Platform Assy, Alum./Alum., Cart Stops	20-0315-310	20-0315-110	20-0315-410	20-0315-210	1
3	Main Section, Aluminum	21-0314-456	21-0314-243	21-0314-451	21-0314-360	1
4	Tip Section, Aluminum	22-0314-461*	22-0314-000*	22-0314-464	22-0314-467	1
5	Tip Section, w/Cart Stops, Alum.	22-0314-800	22-0314-500	22-0314-700	22-0314-600	1
6	Adjustment, Torsion Spring	60-1007-301	60-1007-301	60-1007-301	60-1007-301	2
7	Pin, ø20x300mm	P-67264894	P-67264894	P-67264894	P-67264894	4
8	Washer, M24, Flat	EK3215	EK3215	EK3215	EK3215	10
9	Nylock, M24x3.0	EM 706	EM 706	EM 706	EM 706	2
10	Nut, Safety, Flanged, M14x1.5, Cl.10.9, Galv	EM 711	EM 711	EM 711	EM 711	2
11	Hex Head Cap Screw, M24x3.0x80mm	ES 693	ES 693	ES 693	ES 693	2
12	Hex Head Cap Screw, Flanged M14x1.5x45 Cl.10.9	ES1588	ES1588	ES1588	ES1588	2
13	Block	P-9083177000	P-9083177000	P-9083177000	P-9083177000	1
14	Pin, ø28mm X 300mm	P-9000000064	P-9000000064	P-9000000064	P-9000000064	1
15	Plate, Platform Hinge	20-1007-101	20-1007-101	20-1007-101	20-1007-101	4
16	Washer, Flat, 1"	EK3575	EK3575	EK3575	EK3575	2
17	Plastic Handle Kit	99-0315-400	99-0315-400	99-0315-400	99-0315-400	1
18	Platform Head Bumper	20-0314-150	20-0314-150	20-0314-150	20-0314-150	1
19	Rivet, 3/16"X0.45"	EK3207	EK3207	EK3207	EK3207	8
20	Torsion Bar	P-9083175070	P-9083175070	P-9083175070	P-9083175070	1
21	Kit; Torsion Bar, Alum Alum Platform	99-0315-211*	99-0315-110*	99-0315-110	99-0315-110	1
22	Safety Chain Kit, Single Cylinder	99-0315-500	99-0315-500	99-0315-500	99-0315-500	1
23	Gusset, Outside	21-0314-249	21-0314-249	21-0314-249	21-0314-249	2
24	Hex Head Cap Screw, 5/16"-18x2-1/2"; Gr. 5; Zinc	ES3741	ES3741	ES3741	ES3741	1
25	Nut, 5/16"-18, Gr 5, Zinc	EM 791	EM 791	EM 791	EM 791	4
26	Washer, Split Lock, 5/16", Zinc	EK3471	EK3471	EK3471	EK3471	2
27	Hex Head Cap Screw, M8x1.25x30, CL. 8.8, Zinc	ES 013	ES 013	ES 013	ES 013	4
28	Washer, Flat, M8	EK2929	EK2929	EK2929	EK2929	4
29	Locknut, Flange, M8x1.25	EM 775	EM 775	EM 775	EM 775	4
30	FPH SMS #14-10 X 1.25"	ES3826	ES3826	ES3826	ES3826	1
31	Spacer, UHMW, White	20-0316-300	20-0316-300	20-0316-300	20-0316-300	1
32	Handle Strap Kit	60-9011-001	60-9011-001	60-9011-001	60-9011-001	1
32.1	Bolt, Carriage, 5/16"-18 x0.75"	ES3992	ES3992	ES3992	ES3992	1
32.2	Handle Strap, 16.5" L	20-1210-003	20-1210-003	20-1210-003	20-1210-003	1
32.3	Nut, Nylock, Jam, 5/16"-18	EM 850	EM 850	EM 850	EM 850	1
35	Reinforcement Plate (For 42"-48" Platforms)	22-7517-004	22-7517-004	22-7517-004	22-7517-004	1
	Reinforcement Plate (For 54"-60" Platforms)	22-7517-005	22-7517-005	22-7517-005	22-7517-005	1
36	Button Head Cap Screw, #10-16x0.625"	ES3971	ES3971	ES3971	ES3971	6
37	Bridge Assy., Main Platform	21-0314-290	21-0314-290	21-0314-290	21-0314-290	1
38	Hex Head Cap Screw; 3/8"-16 x 1.25"	ES3793	ES3793	ES3793	ES3793	4
39	Washer, Split Lock, 3/8"	EK3238	EK3238	EK3238	EK3238	4

***42" and 48" Platforms with no cart stops do not get a torsion bar.**

5 Steel Platforms

INTERLIFT Liftgates use galvanized, galvanized, powder coat, paint, zinc, and other finishes on different liftgate models. It is important to specify what type of finish is required for the ordered replacement parts.

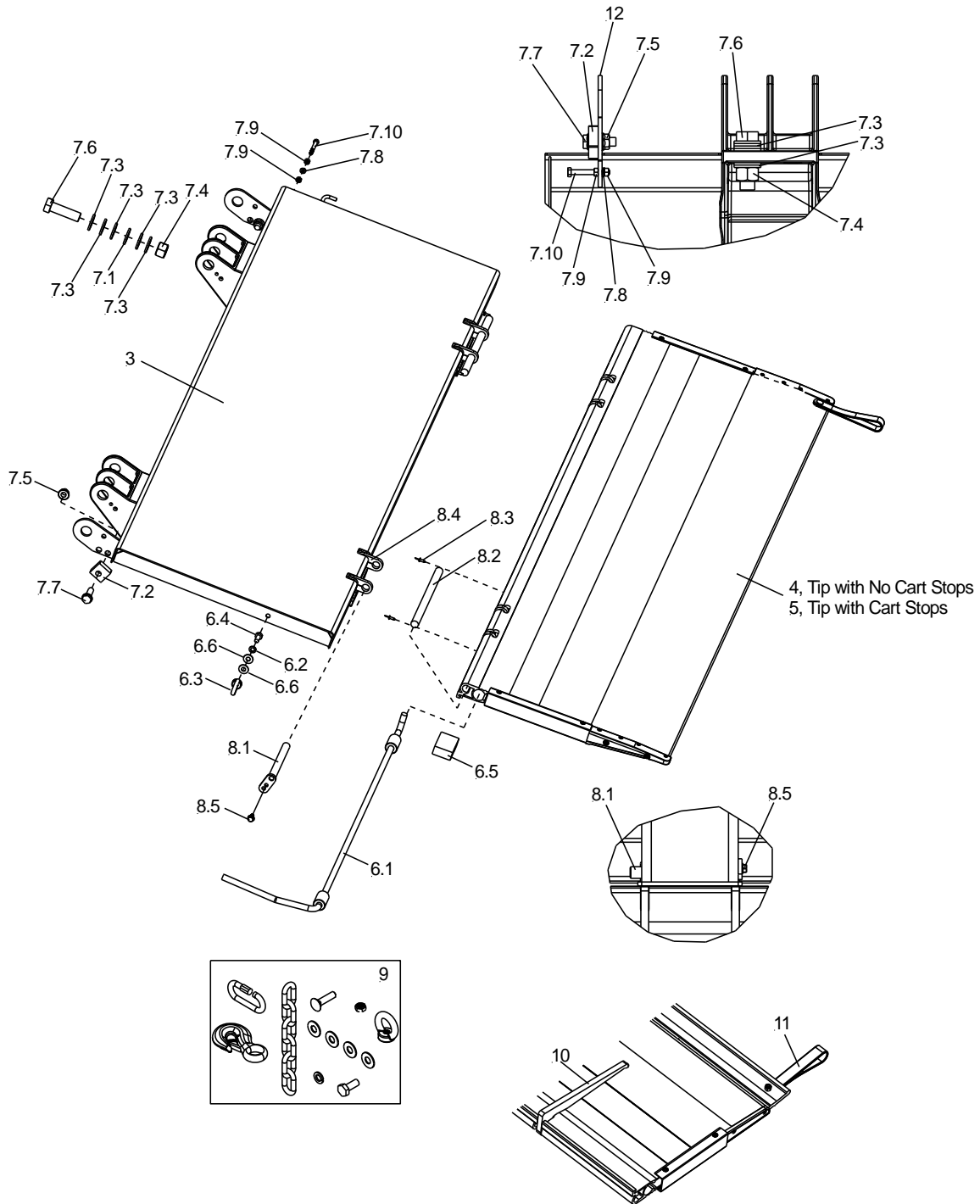


5 - STEEL/STEEL PLATFORM						
NO.	DESCRIPTION	PART NO.				QTY.
		42"	48"	54"	60"	
1	Platform Assy, Steel Main /Steel Tip Platform,	20-0315-340+B*	20-0315-140+B	20-0315-440+B	20-0315-240+B	1
	Platform Assy, Steel Main /Steel Tip Platform,	20-0315-340+G*	20-0315-140+G	20-0315-440+G	20-0315-240+G	
2	Steel Main/Steel Tip Platform, W/Cart Stops, Black	20-0315-350+B	20-0315-150+B	20-0315-450+B	20-0315-250+B	1
	Steel Main/Steel Tip Platform, W/Cart Stops, Galv	20-0315-350+G	20-0315-150+G	20-0315-450+G	20-0315-250+G	
3	Main Section, Steel, Black	21-0314-400+B	21-0314-000+B	21-0314-270+B	21-0314-300+B	1
	Main Section, Steel, Galvanized	21-0314-400+G	21-0314-000+G	21-0314-270+G	21-0314-300+G	
4	Tip Section, Steel, Black	22-0316-500+B	22-0316-300+B	22-0316-600+B	22-0316-400+B	1
	Tip Section, Steel, Galvanized	22-0316-500+G	22-0316-300+G	22-0316-600+G	22-0316-400+G	
5	Tip Section, Steel, w/Cart Stops, Black	22-0316-501+B*	22-0316-301+B	22-0316-601+B	22-0316-401+B	1
	Tip Section, Steel, w/Cart Stops, Galvanized	22-0316-501+G*	22-0316-301+G	22-0316-601+G	22-0316-401+G	
6	Kit; Torsion Bar, Stl Stl Platform	99-0315-310*	99-0315-310	99-0315-310	99-0315-315	1
6.1	Torsion Bar, ø12mm X 63mm	99-7517-010	99-7517-010	99-7517-010	99-7517-010	1
6.2	Washer, Split Lock, M10	EK2740	EK2740	EK2740	EK2740	1
6.3	Nut, Ring, M10	EM712	EM712	EM712	EM712	1
6.4	Hex Head Cap Screw, M10x1.5x25mm	ES3462	ES3462	ES3462	ES3462	1
6.5	Washer, Flat, 3/8", USS, Zinc	EK3216	EK3216	EK3216	EK3216	2
7	Kit; Hardware Stl-Stl Platform	99-0315-330	99-0315-330	99-0315-330	99-0315-330	1
7.1	Washer, Flat, 1"	EK3575	EK3575	EK3575	EK3575	2
7.2	Adjustment Torsion Spring	60-1007-301	60-1007-301	60-1007-301	60-1007-301	2
7.3	Washer, M24, Zinc	EK3215	EK3215	EK3215	EK3215	10
7.4	Nylock, M24x3.0	EM 706	EM 706	EM 706	EM 706	2
7.5	Nut, Safety, Flanged, M14x1.5, Cl.10.9, Galv	EM-711	EM-711	EM-711	EM-711	2
7.6	Hex Head Cap Screw, M24x3.0x80mm	ES 693	ES 693	ES 693	ES 693	2
7.7	Hex Head Cap Screw, Flanged, M14x1.5x45	ES1588	ES1588	ES1588	ES1588	2
8	Kit, Pin, Stl-Stl Platform	99-0315-320	99-0315-320	99-0315-320	99-0315-320	1
8.1	Pin, ø3/4"X7.25"	21-0314-093	21-0314-093	21-0314-093	21-0314-093	4
8.2	Plate, Platform Hinge	20-1007-101	20-1007-101	20-1007-101	20-1007-101	4
8.3	Hex Head Cap Screw;5/16-18x1"	ES3724	ES3724	ES3724	ES3724	2
8.4	Bolt, Thread-Rolling, 5/16"-18x0.75"	ES3746	ES3746	ES3746	ES3746	2
8.5	Nut, Nylock, 5/16"-18	EM 710	EM 710	EM 710	EM 710	2
9	Safety Chain Kit, Single Cylinder	99-0315-500	99-0315-500	99-0315-500	99-0315-500	1
10	Plate Pin Alignment	21-0314-010	21-0314-010	21-0314-010	21-0314-010	1

*42" Platforms with no cart stops do not get a torsion bar.

6 Steel/Aluminum Platforms

INTERLIFT Liftgates use galvanized, galvanized, powder coat, paint, zinc, and other finishes on different liftgate models. It is important to specify what type of finish is required for the ordered replacement parts.

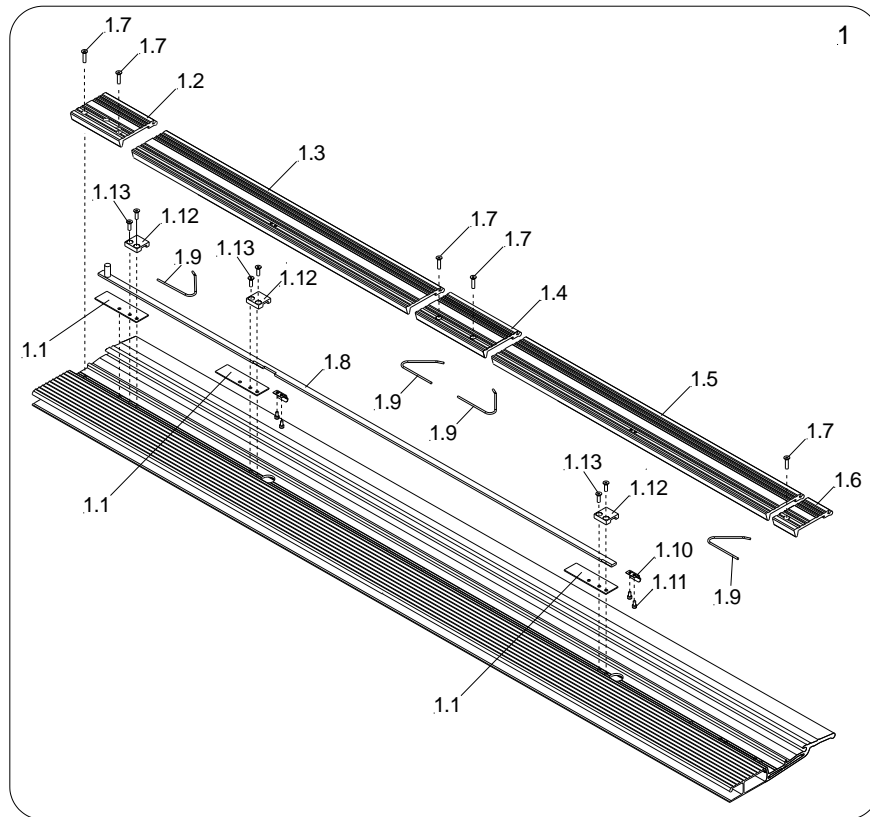


6 - STEEL/ALUMINUM PLATFORM						
NO.	DESCRIPTION	PART NO.				QTY
		42"	48"	54"	60"	
1	Platform Assy, Steel Main/Alum Tip, no Cart	20-0315-320*	20-0315-120*	20-0315-420	20-0315-220	1
2	Platform Assy, Steel Main/Alum Tip, Cart Stops	20-0315-330	20-0315-130	20-0315-430	20-0315-230	1
3	Main Section, Steel, Black	21-0314-400+B	21-0314-000+B	21-0314-270+B	21-0314-300+B	1
	Main Section, Steel, Galvanized	21-0314-400+G	21-0314-000+G	21-0314-270+G	21-0314-300+G	
4	Tip Section, Alum. (No Cart Stop)	22-0314-461*	22-0314-000*	22-0314-464	22-0314-467	1
5	Tip Section, Alum. W/Cart Stops	22-0314-800	22-0314-500	22-0314-700	22-0314-600	1
6	Kit, Torsion Bar, Steel/Alum. Platform	99-0315-211*	99-0315-210*	99-0315-210	99-0315-210	1
6.1	Torsion Bar	P-9083175070	P-9083175070	P-9083175070	P-9083175070	1
6.2	Washer, Split Lock, M10	EK2740	EK2740	EK2740	EK2740	1
6.3	Ring Nut, M10	EM 712	EM 712	EM 712	EM 712	1
6.4	Hex Head Cap Screw, M10x1.5x25mm	ES3462	ES3462	ES3462	ES3462	1
6.5	Block	P-9083177000	P-9083177000	P-9083177000	P-9083177000	1
6.6	Washer, Flat, 3/8", USS, Zinc	EK3216	EK3216	EK3216	EK3216	21
7	Kit, Hardware Steel/Alum Platform	99-0315-230	99-0315-230	99-0315-230	99-0315-230	1
7.1	Washer, Flat, 1"	EK3575	EK3575	EK3575	EK3575	2
7.2	Torsion Spring, Adjustment	60-1007-301	60-1007-301	60-1007-301	60-1007-301	2
7.3	Washer, M24, Zinc	EK3215	EK3215	EK3215	EK3215	10
7.4	Nylock, M24x3.0	EM 706	EM 706	EM 706	EM 706	2
7.5	Nut, Safety, Flanged, M14x1.5, Cl.10.9, Galv	EM 711	EM 711	EM 711	EM 711	2
7.6	Hex Head Cap Screw, M24x3.0x80mm	ES 693	ES 693	ES 693	ES 693	2
7.7	Hex Head Cap Screw, Flanged, M14x1.5x45	ES1588	ES1588	ES1588	ES1588	2
7.8	Washer, Split Lock	EK3471	EK3471	EK3471	EK3471	1
7.9	Nut, 5/16"-18, Gr 5, Zinc	EM 791	EM 791	EM 791	EM 791	2
7.10	Hex Head Cap Screw, 5/16"-18x2-1/2"	ES3741	ES3741	ES3741	ES3741	1
8	Kit, Pin, Steel/Alum Platform	99-0315-220	99-0315-220	99-0315-220	99-0315-220	1
8.1	Pin, ø3/4"X7.25"	21-0314-093	21-0314-093	21-0314-093	21-0314-093	2
8.2	Pin, ø20mm X 300mm	P-67264894	P-67264894	P-67264894	P-67264894	2
8.3	Rivet, 3/16"X0.45"	EK3207	EK3207	EK3207	EK3207	4
8.4	Plate, Platform Hinge	20-1007-101	20-1007-101	20-1007-101	20-1007-101	4
8.5	Thread-Rolling Bolt, 5/16"-18x0.75"	ES3746	ES3746	ES3746	ES3746	2
9	Safety Chain Kit, Single Cylinder	99-0315-500	99-0315-500	99-0315-500	99-0315-500	1
10	Platform Stiffener	22-0314-462	22-0314-462	22-0314-462	22-0314-462	4
11	Handle Strap	20-1210-003	20-1210-003	20-1210-003	20-1210-003	1
12	Plate, Pin Alignment	21-0314-010	21-0314-010	21-0314-010	21-0314-010	2

***42" and 48" Platforms with no cart stops do not get a torsion bar.**

7 Platform Cart Stops

7.1 Aluminum Platforms



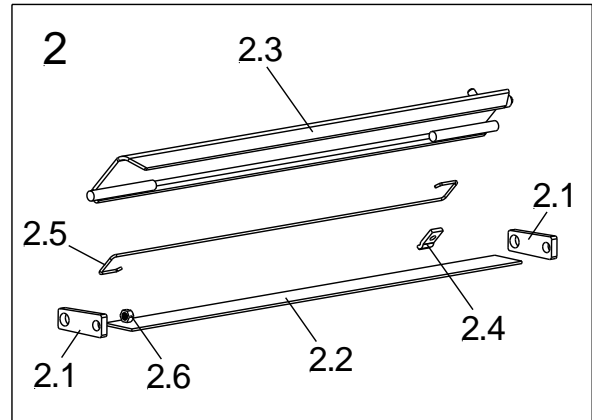
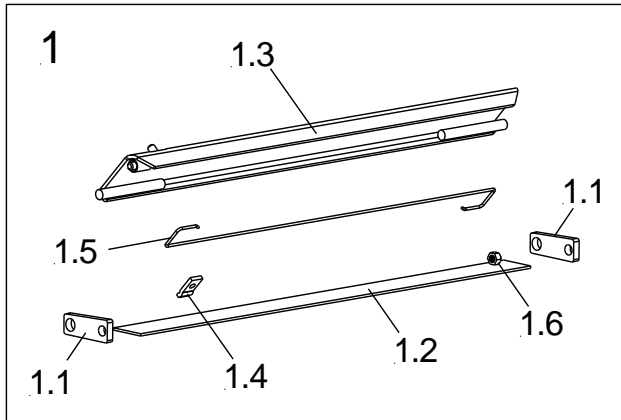
7.1 – CART STOPS ALUMINUM PLATFORMS						
NO.	DESCRIPTION	PART NO.				QTY.
		42"	48"	54"	60"	
1	Assembly, 2X 800MM Cart Stop, 12" X 79"	22-0314-018	22-0314-018	22-0314-018	22-0314-018	1
1.1	Pad, Delrin, 35MM X 120MM X 2MM	P-1406245	P-1406245	P-1406245	P-1406245	3
1.2	Plate Cover, Curb Side	P-2003301	P-2003301	P-2003301	P-2003301	1
1.3	Cart Stop, 800mm, Curb Side	P-2006698	P-2006698	P-2006698	P-2006698	1
1.4	Plate Cover, Center	P-2003302	P-2003302	P-2003302	P-2003302	1
1.5	Cart Stop, 800mm, Street Side	P-2006697	P-2006697	P-2006697	P-2006697	1
1.6	Plate Cover, Street Side	P-2003303	P-2003303	P-2003303	P-2003303	1
1.7	Socket Head Cap Screw, M6-1.0 X 30mm	P-1057441	P-1057441	P-1057441	P-1057441	5
1.8	Sliding Rail	P-1406248	P-1406248	P-1406248	P-1406248	1
1.9	Spring Rod	P-1408661	P-1408661	P-1408661	P-1408661	4
1.10	Clip	P-1406249	P-1406249	P-1406249	P-1406249	2
1.11	Socket Head Cap Screw, M5-0.80 X 8mm	P-1119357	P-1119357	P-1119357	P-1119357	4
1.12	C-Clip, Plastic	P-2004637	P-2004637	P-2004637	P-2004637	1
1.13	Socket Head Cap Screw, M6-1.0 X 20mm	P-1004726	P-1004726	P-1004726	P-1004726	6

Palfinger Interlift, LLC.
 15939 Piuma Ave, Cerritos, CA 90703
 Tel: (888) 774-5844, Fax: (562) 924-8318

Palfinger Interlift, LLC.
 572 Whitehead Road, Trenton, NJ 08619
 Tel: (609) 587-4200, Fax: (609) 587-4201

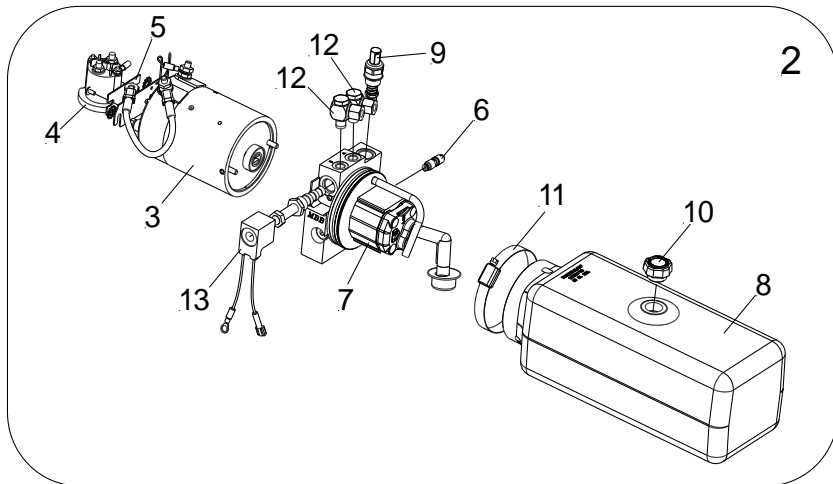
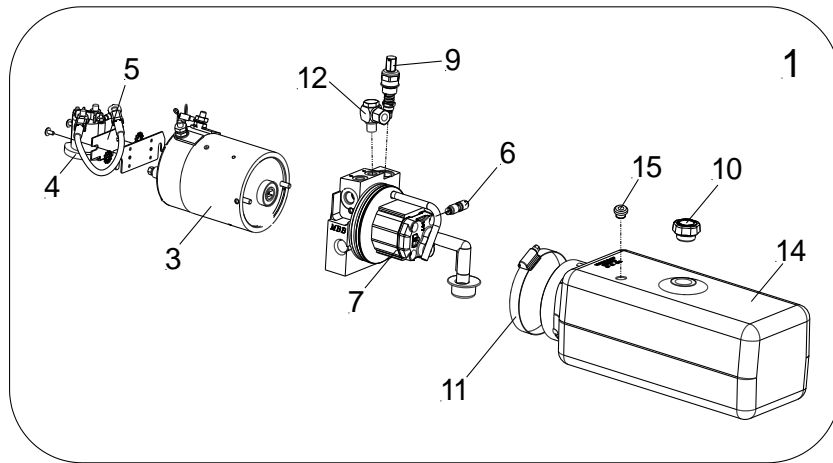
7.2 Steel Platforms

INTERLIFT Liftgates use galvanized, galvanized, powder coat, paint, zinc, and other finishes on different liftgate models. It is important to specify what type of finish is required for the ordered replacement parts.



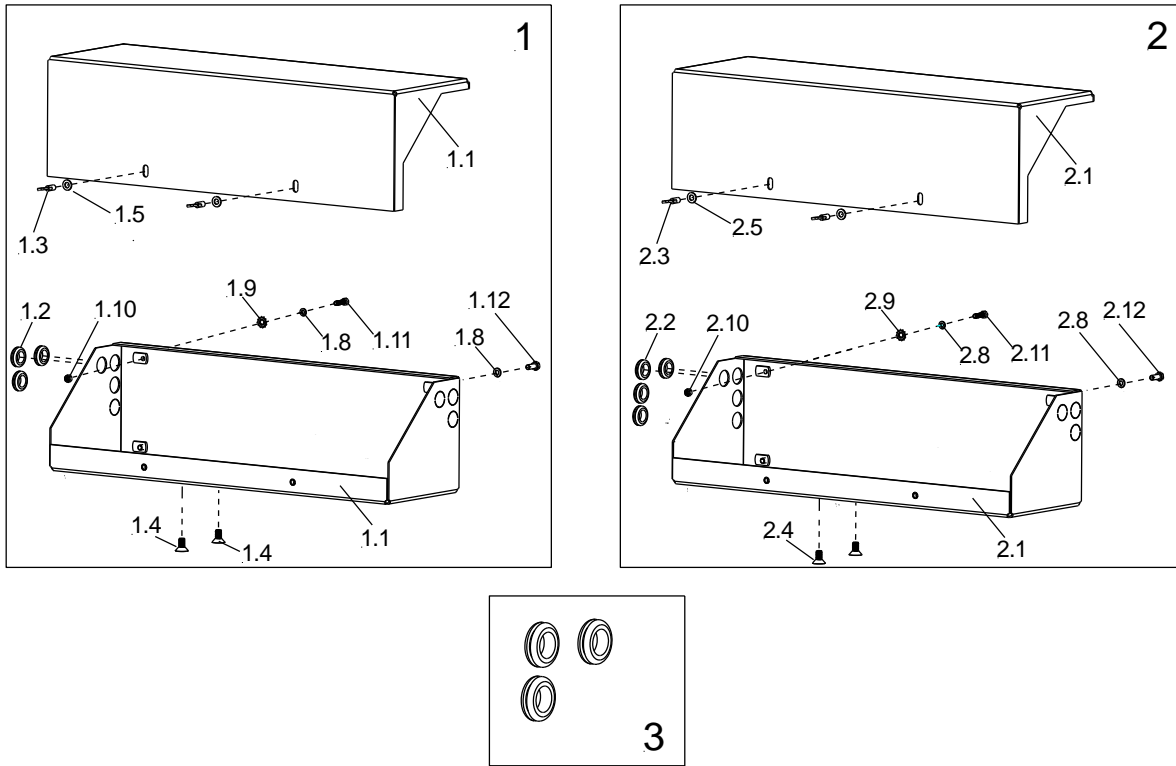
7.2 - CART STOPS – STEEL PLATFORM						
NO.	DESCRIPTION	PART NO.				QTY.
		42"	48"	54"	60"	
1	Assembly, Cart Stop, Street Side, 27", Black	20-0316-000+B	20-0316-000+B	20-0316-000+B	20-0316-000+B	1
	Assembly, Cart Stop, Street Side, 27", Galvanized	20-0316-000+G	20-0316-000+G	20-0316-000+G	20-0316-000+G	1
1.1	Side Plate	20-0316-001	20-0316-001	20-0316-001	20-0316-001	2
1.2	Support Plate	20-0316-002	20-0316-002	20-0316-002	20-0316-002	1
1.3	Weldment, Cart Stop	20-0316-100	20-0316-100	20-0316-100	20-0316-100	1
1.4	Tab, Spring, Retention	20-1108-541	20-1108-541	20-1108-541	20-1108-541	1
1.5	Spring, Torsion	20-1108-542	20-1108-542	20-1108-542	20-1108-542	1
1.6	Nut, 3/8"-16, Gr. 5	EM 532	EM 532	EM 532	EM 532	1
2	Assembly, Cart Stop, Curb Side, 27", Black	20-0316-050+B	20-0316-050+B	20-0316-050+B	20-0316-050+B	1
	Assembly, Cart Stop, Curb Side, 27", Galvanized	20-0316-050+B	20-0316-050+B	20-0316-050+B	20-0316-050+B	1
2.1	Side Plate	20-0316-001	20-0316-001	20-0316-001	20-0316-001	2
2.2	Support Plate	20-0316-002	20-0316-002	20-0316-002	20-0316-002	1
2.3	Weldment, Cart Stop	20-0316-150	20-0316-150	20-0316-150	20-0316-150	1
2.4	Tab, Spring, Retention	20-1108-541	20-1108-541	20-1108-541	20-1108-541	1
2.5	Spring, Torsion	20-1108-542	20-1108-542	20-1108-542	20-1108-542	1
2.6	Nut, 3/8"-16, Gr. 5	EM 532	EM 532	EM 532	EM 532	1

8 Hydraulic Power Unit



8 - HYDRAULIC POWER UNIT			
NO.	DESCRIPTION	PART NO.	QTY.
1	Hydraulic Power Unit, Gravity Down, 2850 PSI, Single Cylinder	50-0313-950	1
	Hydraulic Power Unit, Gravity Down, 2200 PSI, Twin Cylinder	50-0316-100	1
2	Hydraulic Power Unit, Power Down, 2850 PSI, Single Cylinder	50-0313-951	1
	Hydraulic Power Unit, Power Down, 2200 PSI, Twin Cylinder	50-0316-101	1
3	Motor, 12 Volt	80-1411-101	1
4	Motor Solenoid	80-1411-102	1
5	Brackets For Solenoid	50-0313-956	1
6	Check Valve Pilot	50-0313-952	1
7	Pump	80-1411-917	1
8	Oil Reservoir, Plastic, No Grommet Hole, 5.5"x6"x15"	50-0313-958	1
9	Relief Valve	50-0313-953	1
10	Breather Cap	50-0709-914	1
11	Clamp For Oil Reservoir	50-0313-954	1
12	Fitting, 90° Elbow (Qty 2 For Power Down Units)	50-0313-955	1
13	Valve Cartridge Assy, 10VDC 4W	50-0313-957	1
14	Oil Reservoir, Plastic, w/Grommet Hole, 5.5"x6"x15"	ML50-7521-001	1
15	Grommet, Rubber, ¼" Tube	ML50-7521-002	1

9 Hydraulic Pump Box Kits



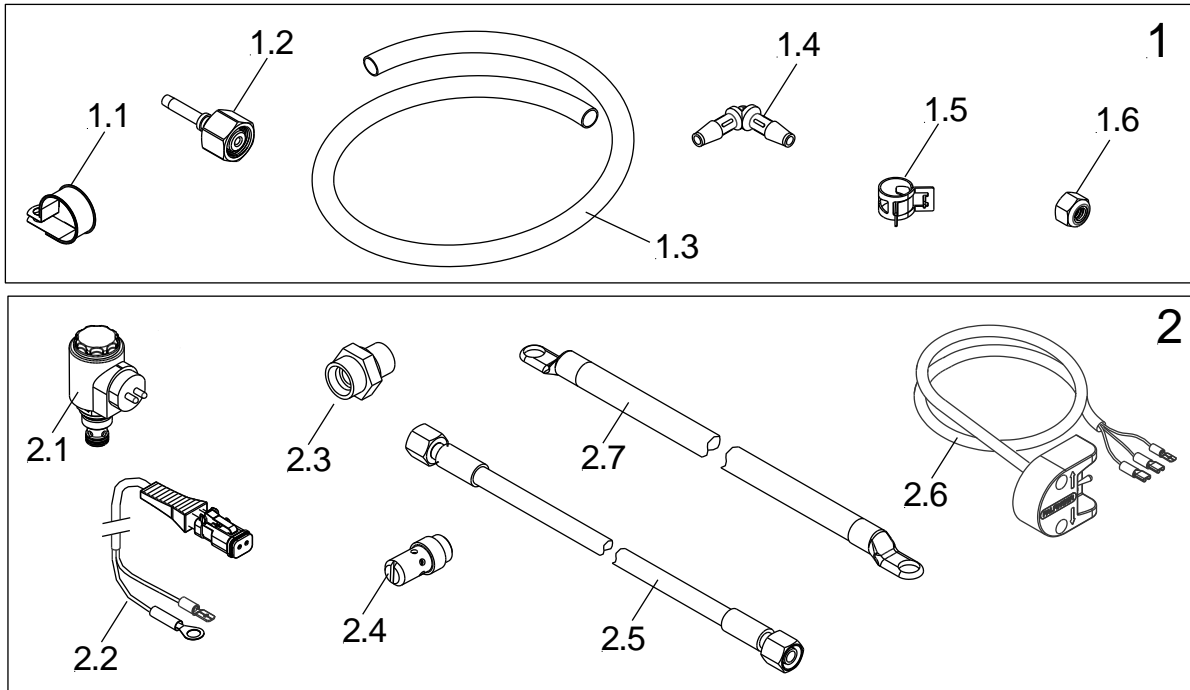
9 - HYDRAULIC PUMP UNIT KITS			
NO.	DESCRIPTION	PART NO.	QTY.
1	Hydraulic Power Unit Kit, Enclosure, Gravity Down	99-0315-800	1
1.1	Pump Box Assy, Base, Cover	50-0113-000	1
1.2	Rubber Grommet	99-8713-014	3
1.3	Wing Head Thumb Screw, M8x1.25x16mm	P-2034123	2
1.4	Flat Head Socket Cap Screw, 3/8"-16 X 3/4"	99-8813-017	2
1.5	Washer, Flat, M8	EK2929	2
1.8	Washer; Split Lock, 5/16"	EK3471	4
1.9	Int/Ext-Tooth, Lock Washer, 5/16"	EK3573	1
1.10	Nut, M8x1.25 CL.8	EM 003	2
1.11	Hex Head Cap Screw, M8x1.25x30mm	ES 013	1
1.12	Hex Head Cap Screw, M8x1.25x20mm	ES3827	2
2	Hydraulic Power Unit Kit, Enclosure, Power Down	99-0315-900	1
2.1	Pump Box, Base, Cover	50-0113-000	1
2.2	Rubber Grommet	99-8713-014	4
2.3	Wing Head Thumb Screw, M8x1.25x16mm	P-2034123	2
2.4	Flat Head Socket Cap Screw, 3/8"-16 X 3/4"	99-8813-017	2
2.5	Washer, Flat, M8	EK2929	2
2.8	Washer; Split Lock, 5/16"	EK3471	4
2.9	Int/Ext-Tooth, Lock Washer 5/16"	EK3573	1
2.10	Nut, M8x1.25, Cl. 8	EM 003	2
2.11	Hex Head Cap Screw, M8x1.25x30mm	ES 013	1
2.12	Hex Head Cap Screw; M8-1.25x20mm	ES3827	2
3	Grommet Kit, Pump Box	99-0315-950	1

Palfinger Interlift, LLC.
 15939 Piuma Ave, Cerritos, CA 90703
 Tel: (888) 774-5844, Fax: (562) 924-8318

Palfinger Interlift, LLC.
 572 Whitehead Road, Trenton, NJ 08619
 Tel: (609) 587-4200, Fax: (609) 587-4201

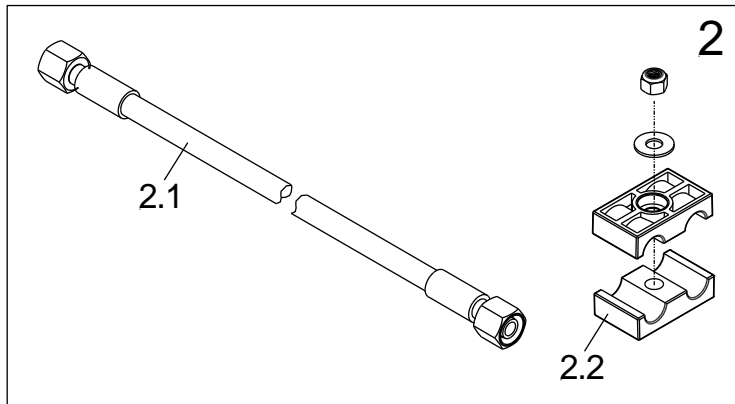
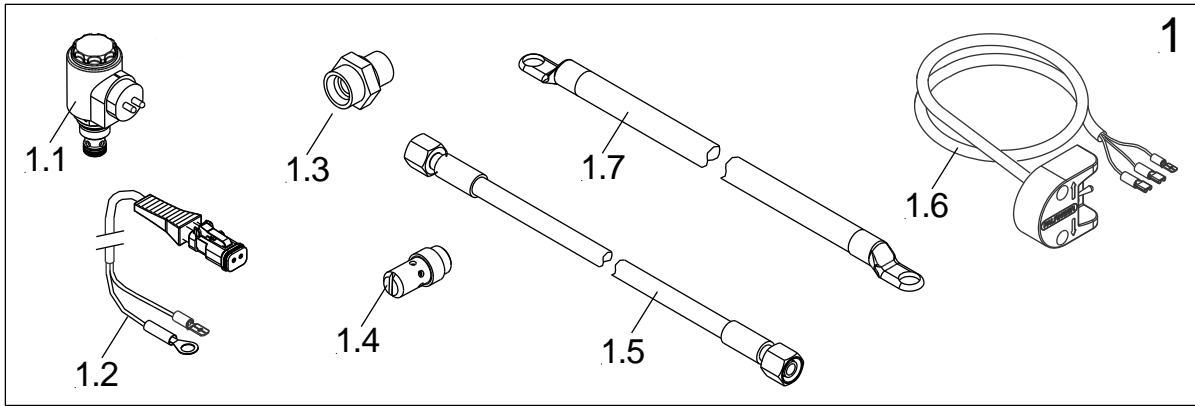
10 Hydraulic Kits

10.1 Single Cylinder Gravity Down Kits



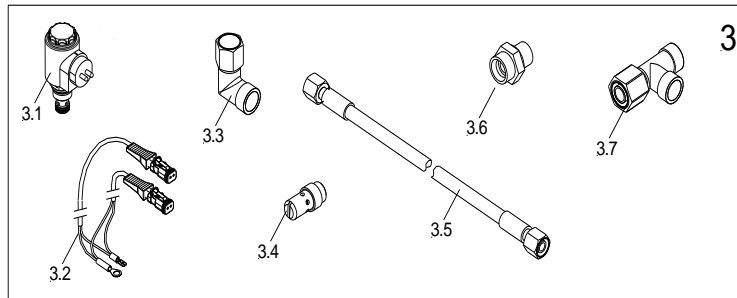
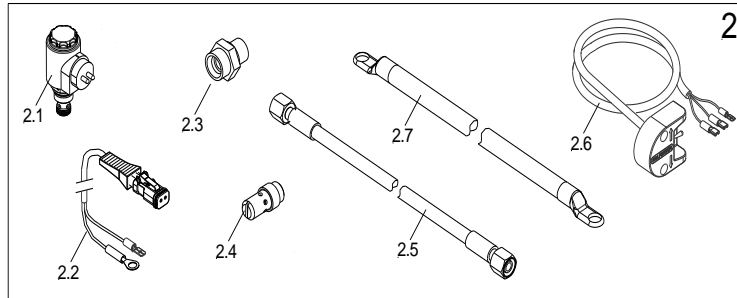
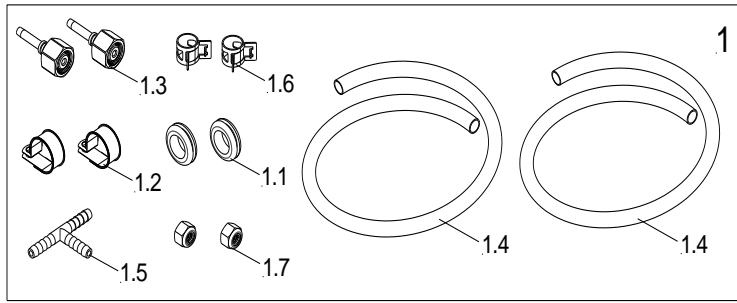
10.1 – SINGLE CYLINDER GRAVITY DOWN KITS			
No.	Description	Part No.	Qty.
1	Gravity Down Kit, Single Cylinder	99-0315-600	1
1.1	Clamp 1"	EQ1666	1
1.2	Straight Fitting	EA6099	1
1.3	Tubing, Black, PVC	EH13097	1
1.4	Elbow, 1/4" Tube ID	EK3485	1
1.5	Hose Clamp	EK3487	1
1.6	Nut, Nylock, 1/4"-20, Gr.5, Zinc	EM 713	1
2	Electro - Hydraulic Kit	90-0317-020	1
2.1	Valve, Release, 12V, Single Lock	ML2054424	1
2.2	Cable, Valve, Single Deutsch Connector	ML2064735	1
2.3	Adapter, 1/4" X 10L, Hose Fitting	EA6236	1
2.4	Restrictor, 1.7mm (No.4), 4L/min	P-1363828	1
2.5	Hose, Rubber, 1400mm (55")	P-2021335	1
2.6	Toggle Switch	P-2004565	1
2.7	Ground Cable, 700mm (27")	P-1308319	1

10.2 Single Cylinder Power Down Kits



10.2 – SINGLE CYLINDER POWER DOWN KITS			
No.	Description	Part No.	Qty.
1	Electro - Hydraulic Kit	90-0317-020	1
1.1	Valve, Release, 12V, Single Lock	ML2054424	1
1.2	Cable, Valve, Single Deutsch Connector	ML2064735	1
1.3	Adapter, 1/4" X 10L, Hose Fitting	EA6236	1
1.4	Restrictor, 1.7mm (No.4), 4L/min	P-1363828	1
1.5	Hose, Rubber, 1400mm (55")	P-2021335	1
1.6	Toggle Switch	P-2004565	1
1.7	Ground Cable, 700mm (27")	P-1308319	1
2	Power Down Kit, Single Cylinder	90-0317-070	1
2.1	Hose, Rubber, 1400mm (55")	P-2021335	1
2.2	Plastic Hose Clamp, Green	P-1406960	1

10.3 Dual Cylinder Gravity Down Kits



10.3 – DUAL CYLINDER GRAVITY DOWN KITS			
No.	Description	Part No.	Qty.
1	Gravity Down Kit, Dual Cylinder	99-0315-700	1
1.1	Rubber Grommet	99-8713-014	2
1.2	Clamp, 1"	EQ1666	2
1.3	Straight Fitting	EA6099	2
1.4	Tubing, PVC, Black	EH13097	2
1.5	Tee, 1/4" Tube ID	EK3486	1
1.6	Hose Clamp	EK3487	2
1.7	Nut, Nylock, 1/4"-20, Gr.5, Zinc	EM-713	4
2	Electro - Hydraulic Kit	90-0317-020	1
2.1	Valve, Release, 12V, Single Lock	ML2054424	1
2.2	Cable, Valve, Single Deutsch Connector	ML2064735	1
2.3	Adapter, 1/4" X 10L, Hose Fitting	EA6236	1
2.4	Restrictor, 1.7mm (No.4), 4L/min	P-1363828	1
2.5	Hose, Rubber, 1400mm (55")	P-2021335	1
2.6	Toggle Switch	P-2004565	1
2.7	Ground Cable, 700mm (27")	P-1308319	1
3	Electro-Hydraulic Kit, Dual Cylinder	90-0317-050	1
3.1	Valve, Release, 12V, Single Lock	ML2054424	1
3.2	Cable, Valve, Dual Deutsch Connectors	ML2064736	1

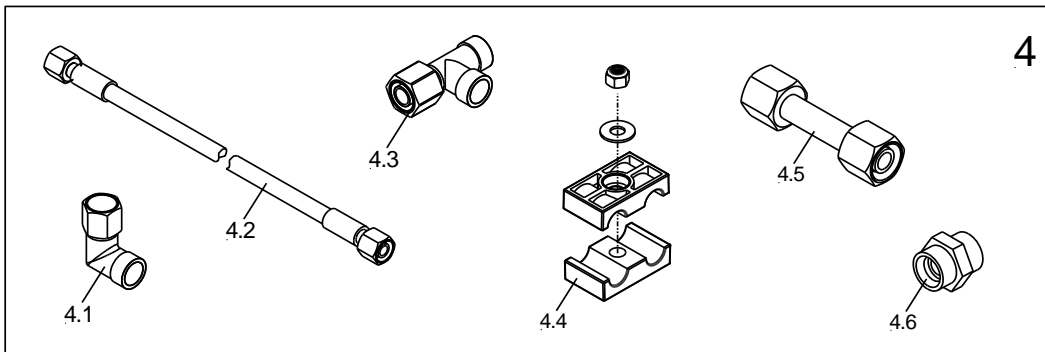
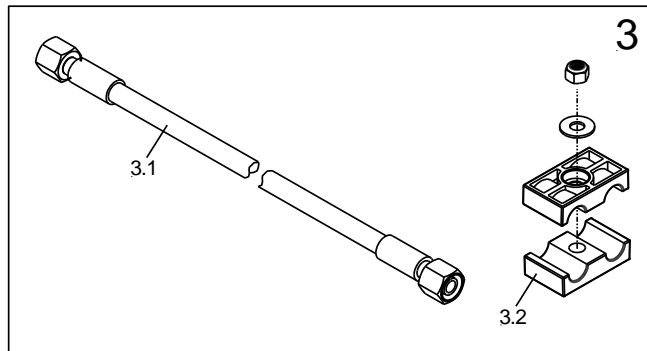
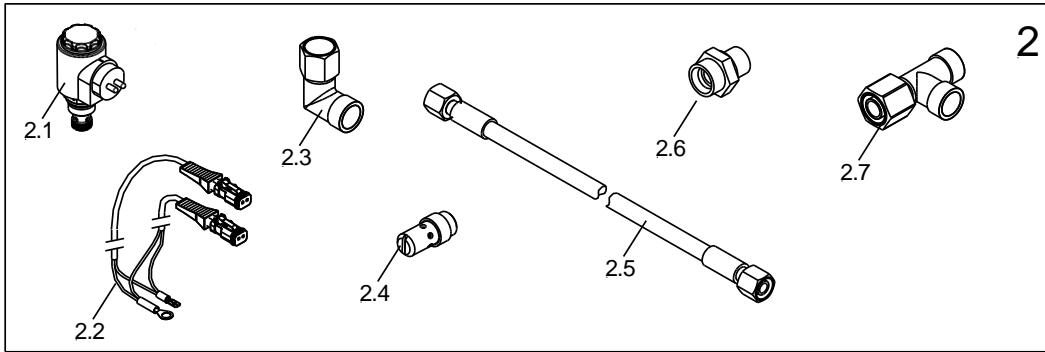
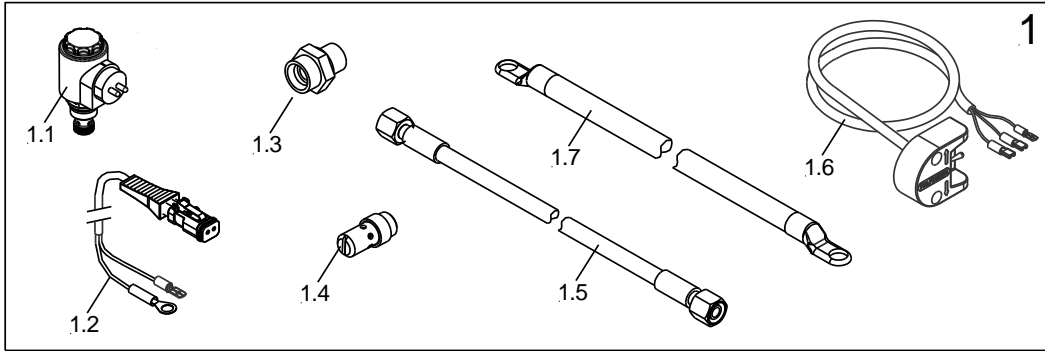
Palfinger Interlift, LLC.
 15939 Piuma Ave, Cerritos, CA 90703
 Tel: (888) 774-5844, Fax: (562) 924-8318

Palfinger Interlift, LLC.
 572 Whitehead Road, Trenton, NJ 08619
 Tel: (609) 587-4200, Fax: (609) 587-4201

3.3	Elbow Fitting 90°, 10L To 10L	P-1232266	1
3.4	Restrictor, 1.7mm (No.4), 4L/min	P-1363828	1
3.5	Hose, Rubber, 1400mm (55")	P-2021335	1
3.6	Adapter, ¼" X 10L, Hose Fitting	EA6236	1
3.7	T-Fitting	P-1111075	1

NOTES

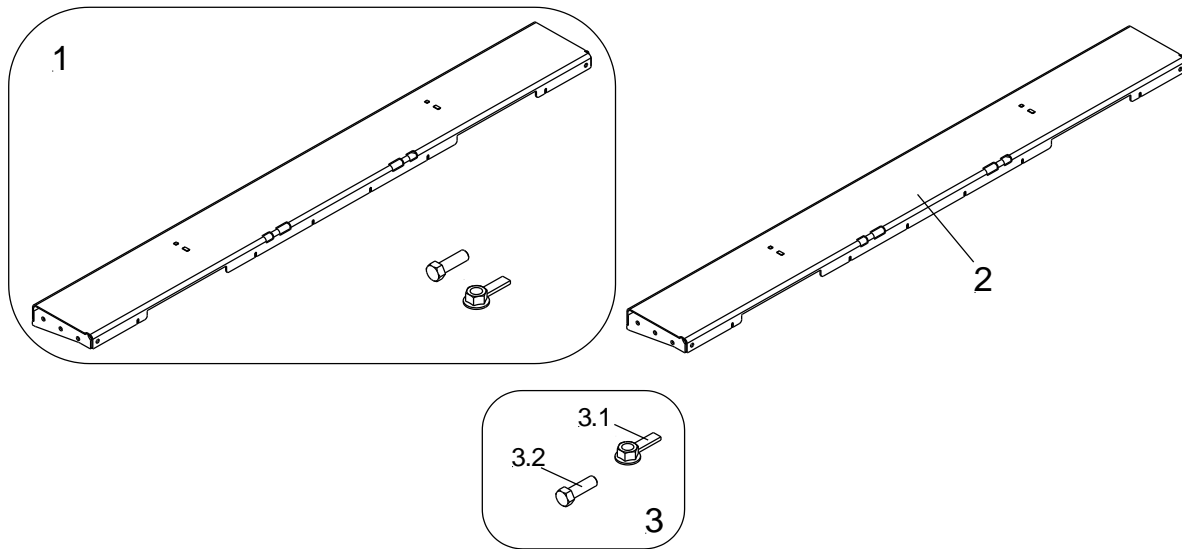
10.4 Dual Cylinder Power Down Kits



10.4 – DUAL CYLINDER POWER DOWN KITS			
No.	Description	Part No.	Qty.
1	Electro - Hydraulic Kit	90-0317-020	1
1.1	Valve, Release, 12V, Single Lock	ML2054424	1
1.2	Cable, Valve, Single Deutsch Connector	ML2064735	1
1.3	Adapter, ¼" X 10L, Hose Fitting	EA6236	1
1.4	Restrictor, 1.7mm (No.4), 4L/min	P-1363828	1
1.5	Hose, Rubber, 1400mm (55")	P-2021335	1
1.6	Toggle Switch	P-2004565	1
1.7	Ground Cable, 700mm (27")	P-1308319	1
2	Electro-Hydraulic Kit, Dual Cylinder	90-0317-050	1
2.1	Valve, Release, 12V, Single Lock	ML2054424	1
2.2	Cable, Valve, Dual Deutsch Connectors	ML2064736	1
2.3	Elbow Fitting 90°, 10L To 10L	P-1232266	1
2.4	Restrictor, 1.7mm (No.4), 4L/min	P-1363828	1
2.5	Hose, Rubber, 1400mm (55")	P-2021335	1
2.6	Adapter, ¼" X 10L, Hose Fitting	EA6236	1
2.7	T-Fitting	P-1111075	1
3	Power Down Kit, Single Cylinder	90-0317-070	1
3.1	Hose, Rubber, 1400mm (55")	P-2021335	1
3.2	Plastic Hose Clamp, Green	P-1406960	1
4	Power Down Kit, Dual Cylinder	90-0317-080	1
4.1	Elbow Fitting, 90°, 10L to 10L	P-1232266	1
4.2	Hose, Rubber, 1400mm (55")	P-2021335	2
4.3	T-Fitting	P-1111075	1
4.4	Plastic Hose Clamp, Green	P-1406960	2
4.5	Extension Tube, 10mm, Steel	P-1406564	1
4.6	Union, 10L	P-1212700	1

11 Bed Extensions

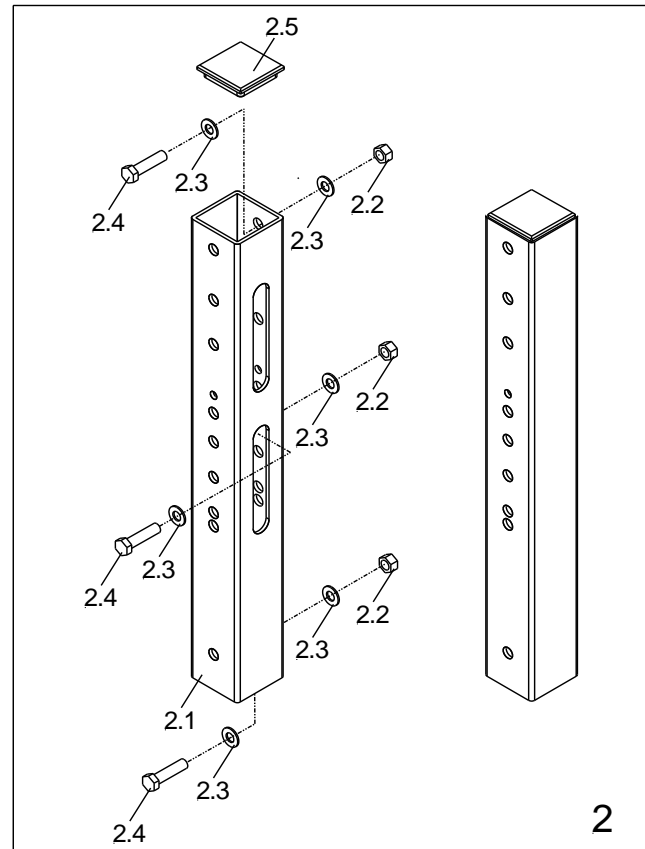
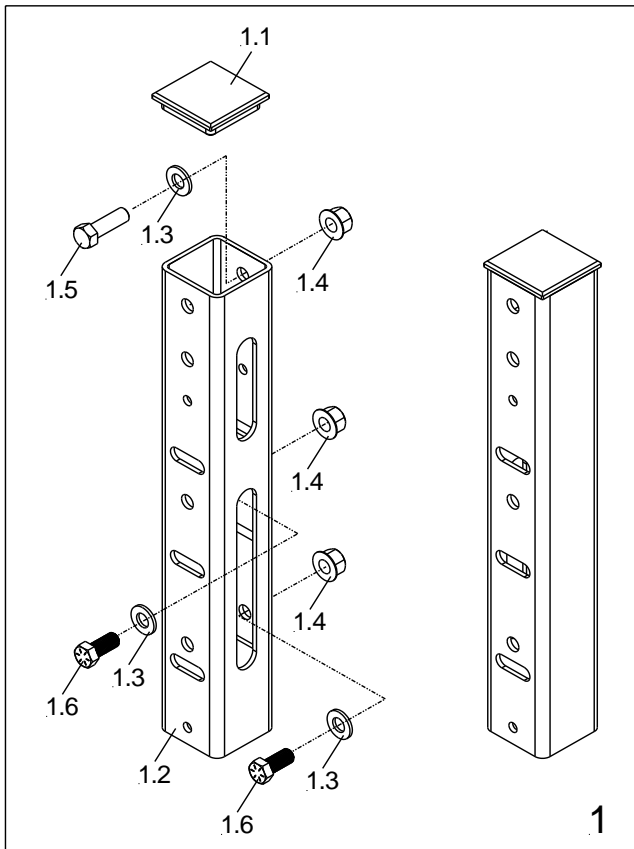
INTERLIFT Liftgates use galvanized, galvanized, powder coat, paint, zinc, and other finishes on different liftgate models. It is important to specify what type of finish is required for the ordered replacement parts.



11 - BED EXTENSIONS			
NO.	DESCRIPTION	PART NO.	QTY.
1	Bed Extension Kit, Bolt-On, 102" W, Black	60-0114-000+B	1
	Bed Extension Kit, Bolt-On, 102" W, Galvanized	60-0114-000+G	1
	Bed Extension Kit, Bolt-On, 96" W, Black	60-0114-001+B	1
	Bed Extension Kit, Bolt-On, 96" W, Galvanized	60-0114-001+G	1
2	Bed Extension, Weld-On, 102" W, Black	60-0113-100+B	1
	Bed Extension, Weld-On, 102" W, Galvanized	60-0113-100+G	1
	Bed Extension, Weld-On, 96" W, Black	60-0113-200+B	1
	Bed Extension, Weld-On, 96" W, Galvanized	60-0113-200+G	1
3	Bolt-On Bed Extension, Hardware Kit	65-1012-220	1
3.1	Nut, w/Stop Arm, 9/16"-18, Zinc	65-1012-012	19
3.2	Hex Head Cap Screw, 9/16"-18 X 1.75", Gr.8, Zinc	ES3444	19

12 Dock Bumpers Walk Ramp Extensions

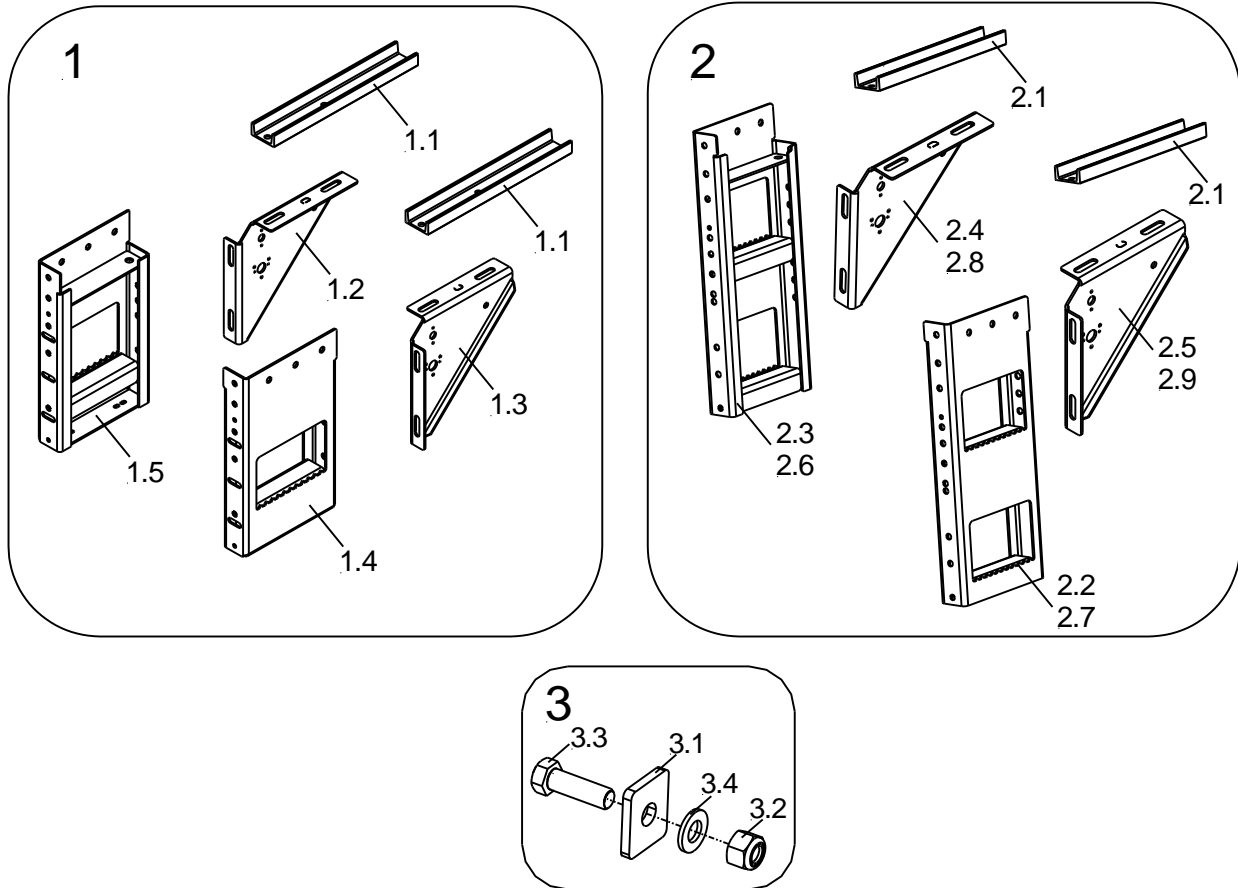
INTERLIFT Liftgates use galvanized, galvanized, powder coat, paint, zinc, and other finishes on different liftgate models. It is important to specify what type of finish is required for the ordered replacement parts.



12 - DOCK BUMPER – WALK RAMP EXTENSIONS			
NO.	DESCRIPTION	PART NO.	QTY.
1	21" Dock Bumper, Bolt-On, Walk Ramp Extension Kit, w/Hardware	65-7515-013+G	1
1.1	3" Square Tube Cap	99-8714-001	2
1.2	Walk Ramp Extension Tube, Galvanized	65-7515-014+G	2
1.3	Washer, Flat, 9/16", SAE/USS	EK3280	6
1.4	Lock Nut, Flange, 9/16"-18	EM 693	6
1.5	Hex Head Cap Screw, 9/16-18 X 1.75"	ES3444	2
1.6	Hex Head Cap Screw, 9/16-18 X 1.25"	ES3689	4
2	28" Dock Bumper, Bolt-On, Walk Ramp Extension Kit, w/Hardware	65-7514-014+G	1
2.1	Walk Ramp Extension Tube, Galvanized	65-7514-016+G	2
2.2	Nut, Nylock, 1/2"-13	EM-707	6
2.3	Washer, Cut. 1/2"	EK2796	12
2.4	Hex Head Cap Screw, 1/2"-13 X 1.5"	ES3456	6
2.5	Cap, Square Tube, 3"	99-8714-001	2

13 Dock Bumpers

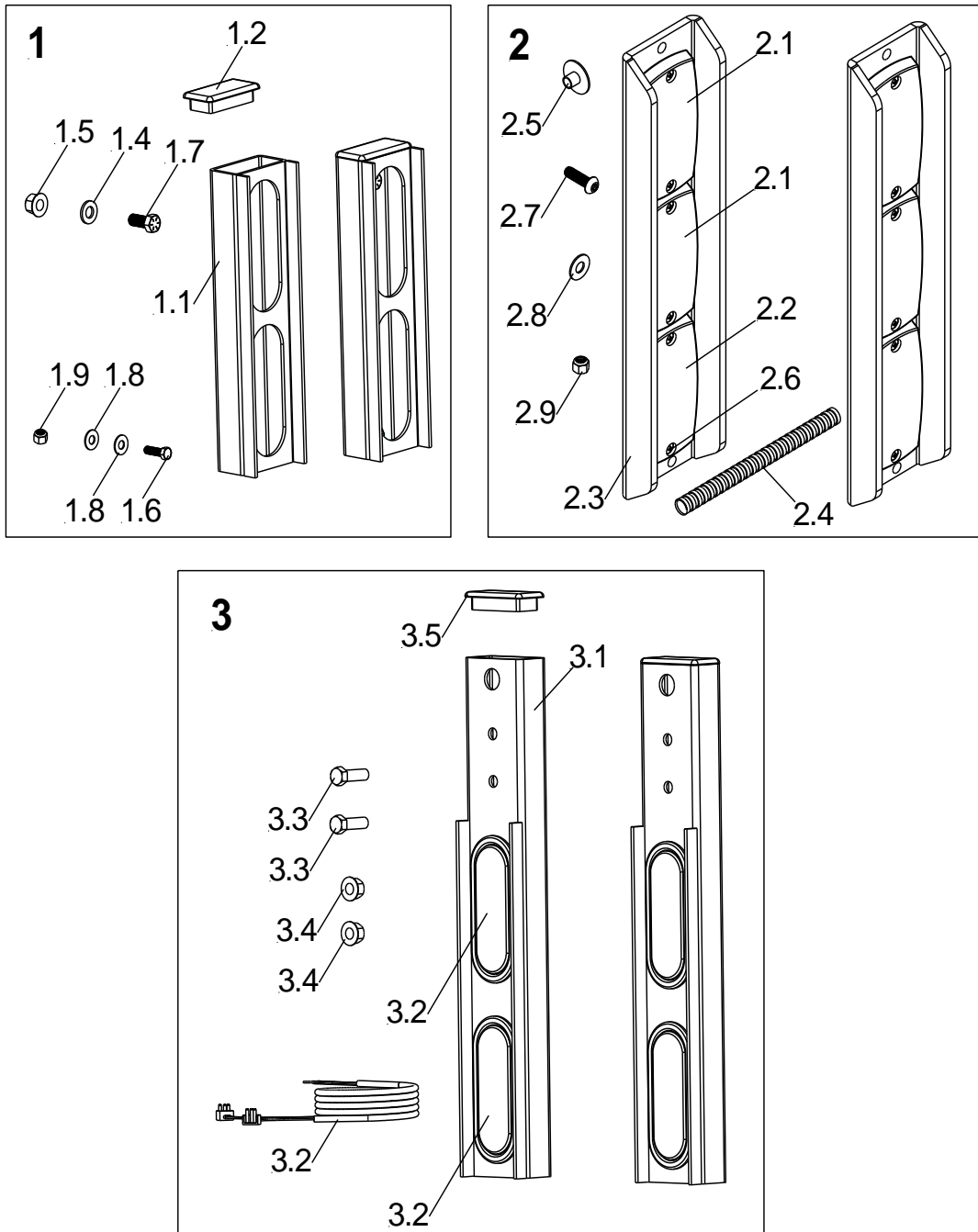
INTERLIFT Liftgates use galvanized, galvanized, powder coat, paint, zinc, and other finishes on different liftgate models. It is important to specify what type of finish is required for the ordered replacement parts.



13 - DOCK BUMPERS			
NO.	DESCRIPTION	PART NO.	QTY.
1	Kit, 21" Dock Bumpers, Weld-On, Heavy Duty (3/16"), Black	60-7515-013+B	1
	Kit, 21" Dock Bumpers, Weld-On, Heavy Duty (3/16"), Galvanized	60-7515-013+G	1
	Kit, 21" Dock Bumpers, Bolt-On, Heavy Duty (3/16") w/Hardware, Black	65-7515-007+B	1
	Kit, 21" Dock Bumpers, Bolt-On, Heavy Duty (3/16") w/Hardware, Galvanized	65-7515-007+G	1
1.1	3" Channel, Black	60-1013-032+B	2
	3" Channel, Galvanized	60-1013-032+G	1
1.2	Strut Brace, 3/16", Street Side, Black	65-7514-008+B	1
	Strut Brace, 3/16", Street Side, Galvanized	65-7514-008+G	1
1.3	Strut Brace, 3/16", Curb Side, Black	65-7514-009+B	1
	Strut Brace, 3/16", Curb Side, Galvanized	65-7514-009+G	1
1.4	Dock Bumper, 12"X 21" X 3/16", Right Side, Black	65-7515-000+B	1
	Dock Bumper, 12"X 21" X 3/16", Right Side, Galvanized	65-7515-000+G	1
1.5	Dock Bumper, 12"X 21" X 3/16", Left Side, Black	65-7515-003+B	1
	Dock Bumper, 12"X 21" X 3/16", Left Side, Galvanized	65-7515-003+G	1
2	Kit, 28" Dock Bumpers, Weld-On, Heavy Duty (3/16"), Black	65-7514-001+B	1
	Kit, 28" Dock Bumpers, Weld-On, Heavy Duty (3/16"), Galvanized	65-7514-001+G	1
	Kit, 28" Dock Bumpers, Bolt-On, Heavy Duty (3/16") w/Hardware, Black	65-7514-000+B	1
	Kit, 28" Dock Bumpers, Bolt-On, Heavy Duty (3/16") w/Hardware, Galvanized	65-7514-000+G	1
	Kit, 28" Dock Bumpers, Weld-On, Extra Heavy Duty (1/4"), Black Paint	65-1013-011+B	1
	Kit, 28" Dock Bumpers, Weld-On, Extra Heavy Duty (1/4"), Galvanized	65-1013-011+G	1
	Kit, 28" Dock Bumpers, Bolt-On, Extra Heavy Duty (1/4") w/Hardware, Black	65-1013-010+B	1
	Kit, 28" Dock Bumpers, Bolt-On, Extra Heavy Duty (1/4") w/Hardware, Galvanized	65-1013-010+G	1
2.1	3" Channel, Black	60-1013-032+B	2
	3" Channel, Galvanized	60-1013-032+G	2
2.2	Dock Bumper, 12" X 28" X 3/16", Curb Side, Black	65-7514-002+B	1
	Dock Bumper, 12" X 28" X 3/16", Curb Side, Galvanized	65-7514-002+G	1
2.3	Dock Bumper, 12" X 28" X 3/16", Street Side, Black	65-7514-003+B	1
	Dock Bumper, 12" X 28" X 3/16", Street Side, Galvanized	65-7514-003+G	1
2.4	Strut Brace, 3/16", Street Side, Black	65-7514-008+B	1
	Strut Brace, 3/16", Street Side, Galvanized	65-7514-008+G	1
2.5	Strut Brace, 3/16", Curb Side, Black	65-7514-009+B	1
	Strut Brace, 3/16", Curb Side, Galvanized	65-7514-009+G	1
2.6	Dock Bumper, 12" X 28" X 1/4", Street Side, Black	60-1013-010+B	1
	Dock Bumper, 12" X 28" X 1/4", Street Side, Galvanized	60-1013-010+G	1
2.7	Dock Bumper, 12" X 28" X 1/4", Curb Side, Black	60-1013-020+B	1
	Dock Bumper, 12" X 28" X 1/4", Curb Side, Galvanized	60-1013-020+G	1
2.8	Strut Brace, 1/4", Street Side, Black	60-1013-030+B	1
	Strut Brace, 1/4", Street Side, Galvanized	60-1013-030+G	1
2.9	Strut Brace, 1/4", Curb Side, Black	60-1013-031+B	1
	Strut Brace, 1/4", Curb Side, Galvanized	60-1013-031+G	1
3	Dock Bumper Hardware Kit	65-1013-012	1
3.1	Clamp Washer	60-1013-050	8
3.2	Washer, Flat, 9/16", SAE	EK3280	16
3.3	Nut, Nylock, 9/16"-12	EM862	16
3.4	Hex Head Cap Screw, 9/16"-12x1.75, Zinc	ES4003	16

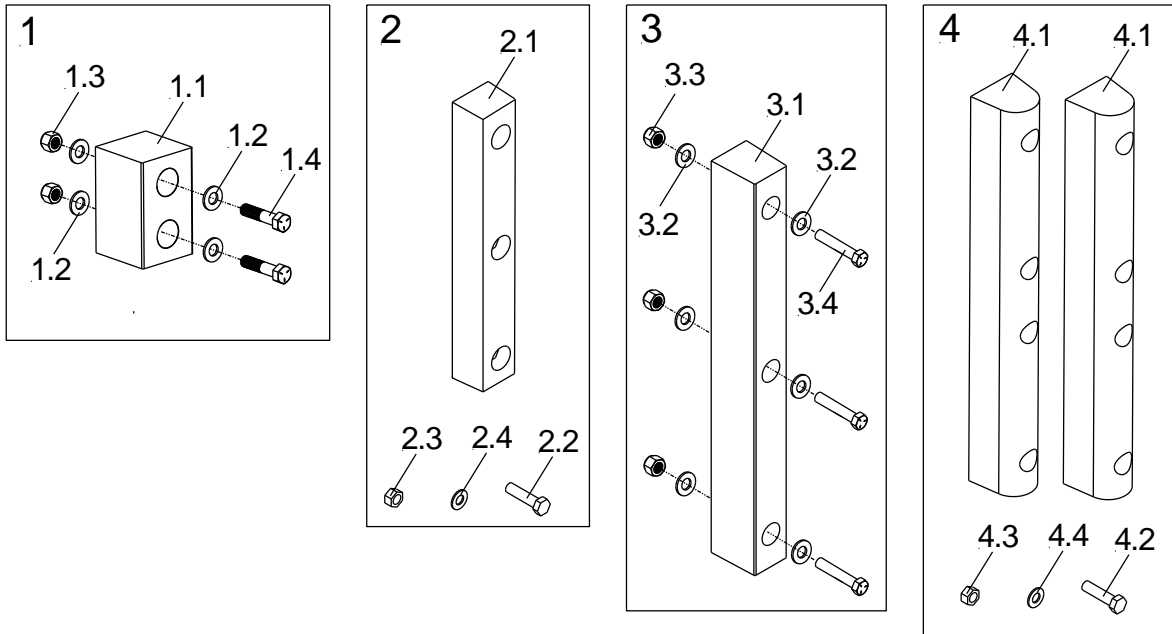
14 Dock Bumper Light Kits

INTERLIFT Liftgates use galvanized, galvanized, powder coat, paint, zinc, and other finishes on different liftgate models. It is important to specify what type of finish is required for the ordered replacement parts.



14 - DOCK BUMPER LIGHT KITS			
NO.	DESCRIPTION	PART NO.	QTY.
1	Light Fixture Kit, 21" Dock Bumpers, (No Lights Included.)	60-7515-014+G	1
1.1	Light Fixture, 21", Series 60	65-7515-010+G	2
1.2	Cap, 2" X 4", Plastic, Black	60-1007-401	2
1.3	Washer, Flat, 9/16", SAE/USS	EK3280	2
1.4	Nut, Flange, Lock, 9/16"-18	EM 693	2
1.5	Hex Head Cap Screw; 3/8-16 X 1.25"	ES3496	2
1.6	Hex Head Cap Screw; 9/16-18 X 1.25"	ES3689	2
1.7	Washer, Flat, 3/8", USS, Zinc	EK3216	4
1.8	Nut, Nylock, 3/8"-16, Gr.5, Zinc	EM-708	2
2	Light Fixture Kit, Dock Bumpers, 3" Lights, w/Bolt On Hardware	65-1013-400	1
2.1	Red LED Light	65-1013-201	2
2.2	White LED Light	65-1013-202	1
2.3	3-Light Bracket	65-7513-102	1
2.4	Split Loom, 0.25" x 6.25", Black	EZ7394	3
2.5	Nut, Tee, #8-32	EM 845	6
2.6	Pan Head Screw, #8-32x0.50"	ES3622	6
2.7	Button Head Cap Screw, 3/8"-16 x 1.25"	99-8813-048	2
2.8	Washer, Flat, 3/8	99-8813-058	2
2.9	Nut, Nylock, 3/8"-16, Gr.5, Zinc	EM-708	2
3	Light Fixture Kit. 28" Dock Bumpers, Series 60 Light (w/Lights)	65-0815-100+G	1
3.1	Light Fixture, Series 60	65-0815-002+G	2
3.2	Light Kit, w/Harness, Red	70-8015-015	1
3.3	Hex Head Cap Screw, 5/8-18x1.75, Gr.8, Zinc	ES3444	4
3.4	Nut, Lock, Flanged, 9/16-18", Gr.8, Zinc	EM 693	4
3.5	Cap, 2" X 4", Plastic, Black	60-1007-401	2

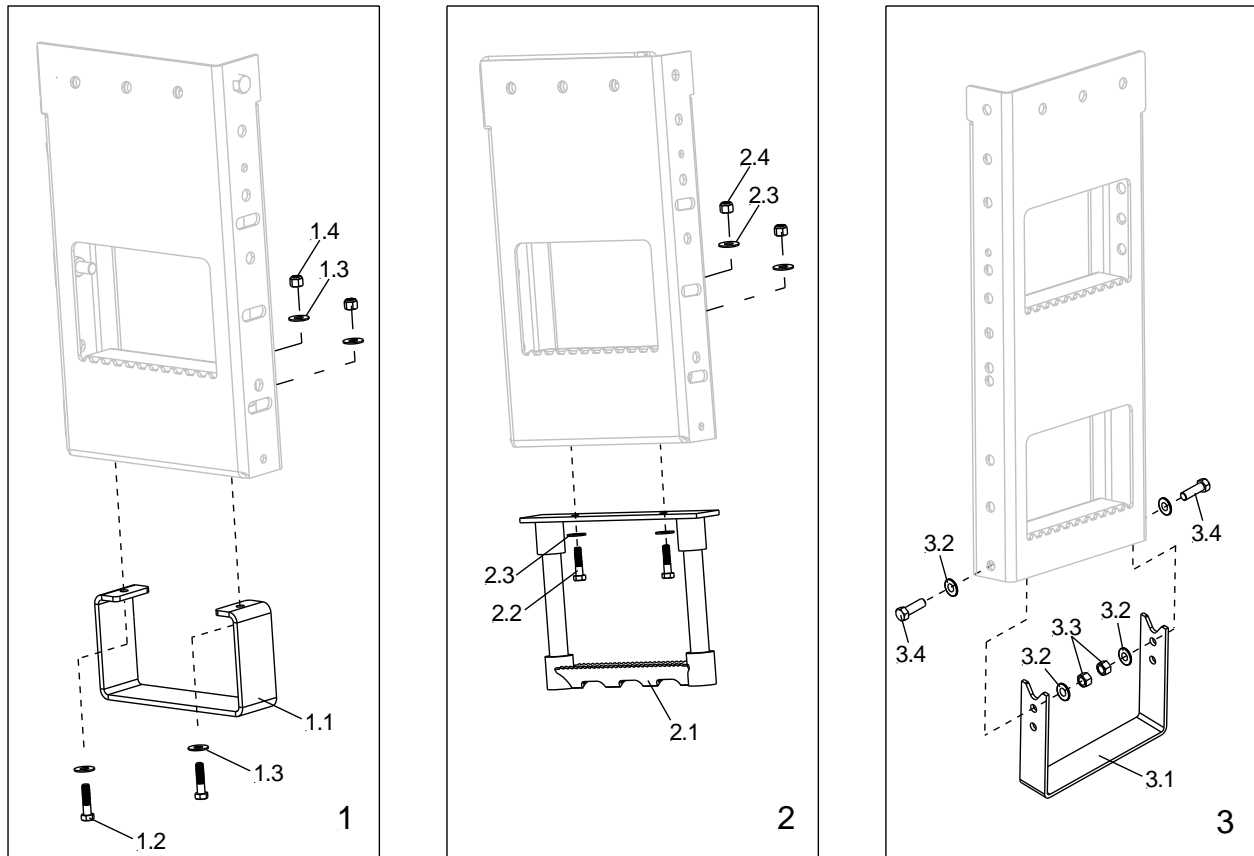
15 Dock Bumpers Rubber Pads



15 - DOCK BUMPERS RUBBER PADS			
No.	Description	PART NO.	QTY.
1	Rubber Bumper Kit, 2.6"x3.5"x5", UHMW, 2 Hole, w/Bolt-On Hardware	65-7518-300	1
1.1	Rubber Bumper, 3"x3"x4.8", UHMW	65-7517-400	1
1.2	Washer, Flat, 1/2", SAE	EK2796	8
1.3	Nut, Nylock, 1/2"-13, Gr 5, Zinc	EM-707	4
1.4	Hex Head Cap Screw, 1/2"-13x2.25"	ES3910	4
2	Bumper Kit, UHMW, 16", Bolt-On	65-7518-005	1
2.1	Bumper; UHMW; 16"x2"x1.5"	65-7518-001	1
2.2	Hex Head Cap Screw, 1/2"-13 x 2.00"	ES3455	3
2.3	Nut, Nylock, 1/2"-13, Gr 5, Zinc	EM-707	3
2.4	Washer, Flat, 1/2", SAE	EK2796	6
3	Rubber Bumper Kit, 3"x2.5"x24", 3 Hole, w/Bolt-On Hardware	65-7514-024	1
3.1	Rubber Dock Bumper	65-7514-023	1
3.2	Washer, Flat, 1/2", SAE	EK2796	6
3.3	Nut, Nylock, 1/2"-13, Gr 5, Zinc	EM-707	3
3.4	Hex Head Cap Screw 1/2"-13x2.75" Gr.5,Zinc	ES3554	3
4	Rubber Bumper Kit, 3"x3"x24", 4 Hole, w/Bolt-On Hardware	65-7513-424	1
4.1	Rubber Dock Bumper	65-7513-024	2
4.2	Hex Head Cap Screw, 1/2"-13 X 2.25"	ES3910	8
4.3	Nut, Nylock, 1/2"-13, Gr 5, Zinc	EM-707	8
4.4	Washer, Flat, 1/2", SAE	EK2796	16

16 Dock Bumper Steps

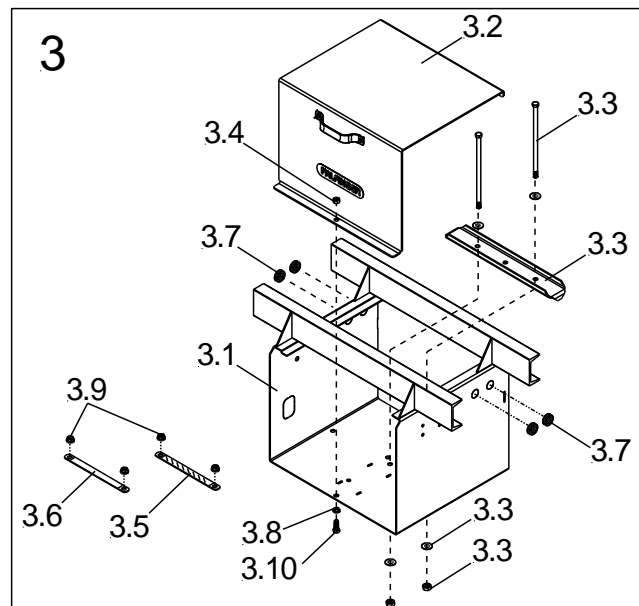
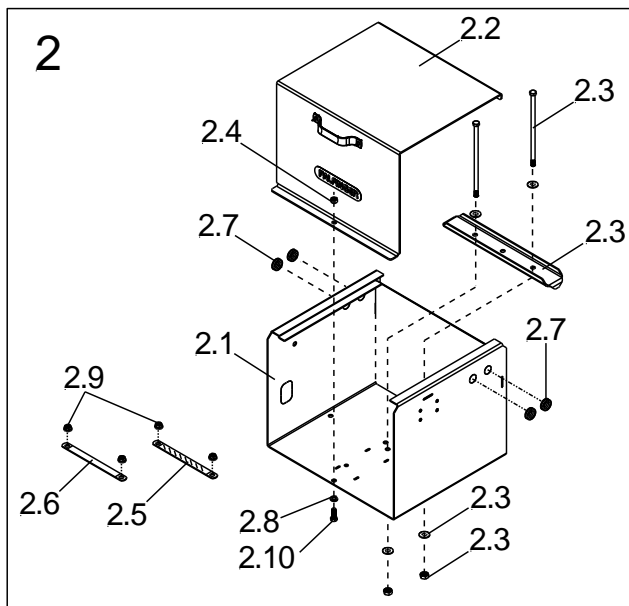
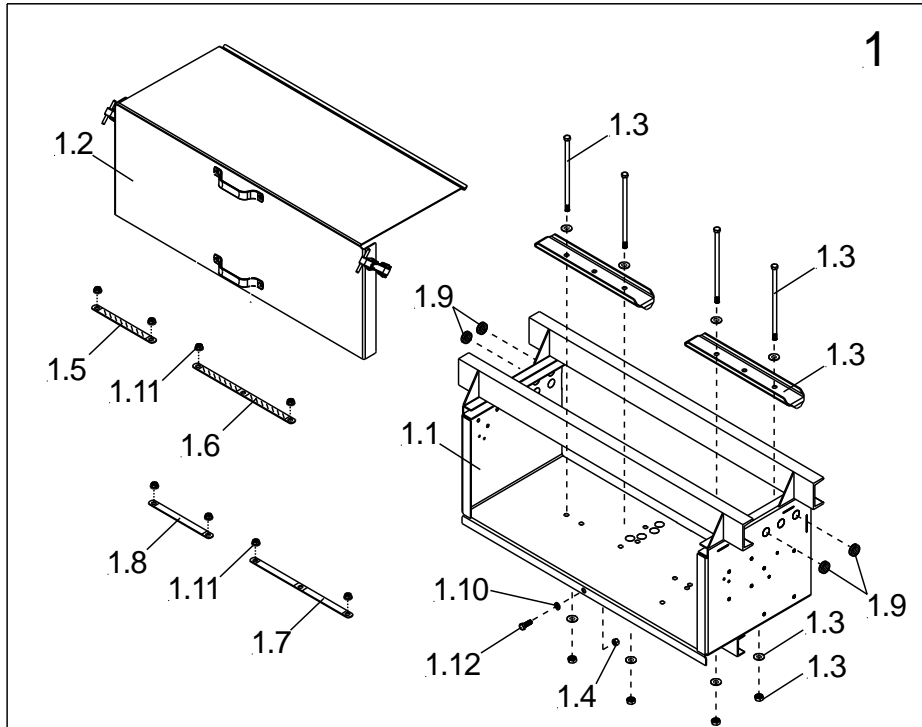
INTERLIFT Liftgates use galvanized, galvanized, powder coat, paint, zinc, and other finishes on different liftgate models. It is important to specify what type of finish is required for the ordered replacement parts.



16 - DOCK BUMPER STEPS			
NO.	DESCRIPTION	PART NO.	QTY.
1	Stirrup Step kit; 6", 21" Dock Bumper	65-7515-012+G	1
1.1	Stirrup Step; 6"	65-1011-102+G	2
1.2	Hex Head Cap Screw, 3/8-16x1.50"	ES3656	4
1.3	Washer, Flat, 3/8" USS, Zinc	EK3216	8
1.4	Nut, Nylock, 3/8-16, Gr.5, Zinc	EM-708	4
2	Cable Step Kit; 21" Dock Bumper, Zinc	65-7515-006	1
2.1	Cable Step; 9"x12"x1-1/4", Zinc	65-7518-000	2
2.2	Hex Head Cap Screw, 3/8-16x1.50"	ES3656	4
2.3	Washer, Flat, 3/8" USS, Zinc	EK3216	8
2.4	Nut, Nylock 3/8-16 Gr.5 Zinc	EM-708	4
3	Stirrup Step Kit; 8", 28" Dock Bumper	65-7514-010+G	1
3.1	Stirrup Step; 8"	60-1013-060+G	2
3.2	Washer, Flat, 1/2"	EK2796	8
3.3	Nut, Nylock, 1/2"-13	EM-707	4
3.4	Hex Head Cap Screw, 1/2"-13 x 1.5	ES3456	4

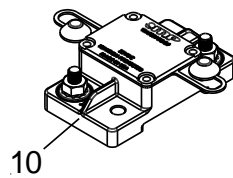
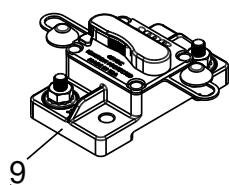
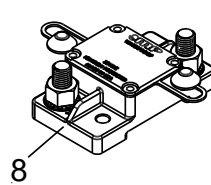
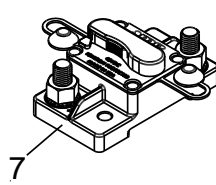
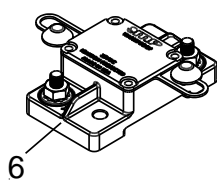
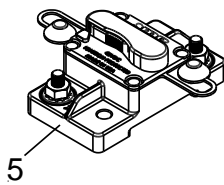
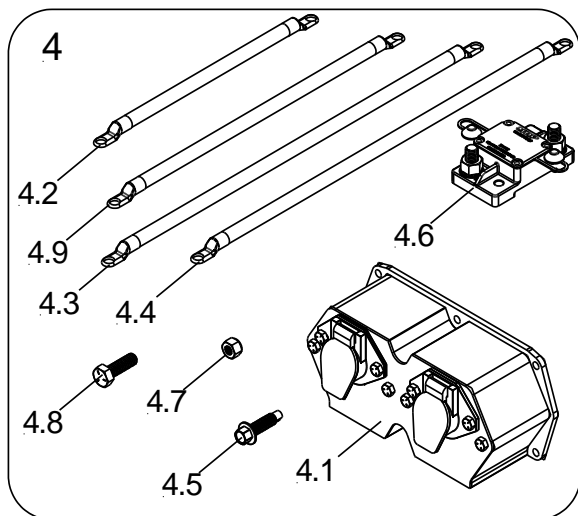
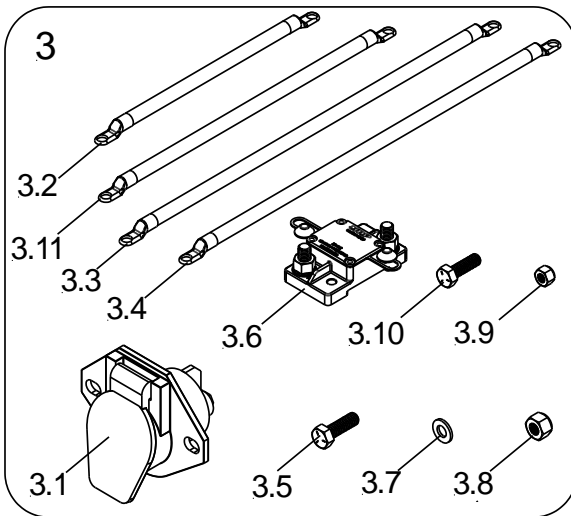
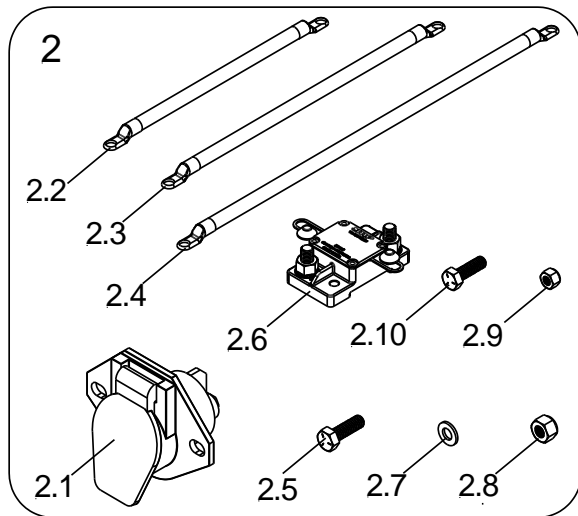
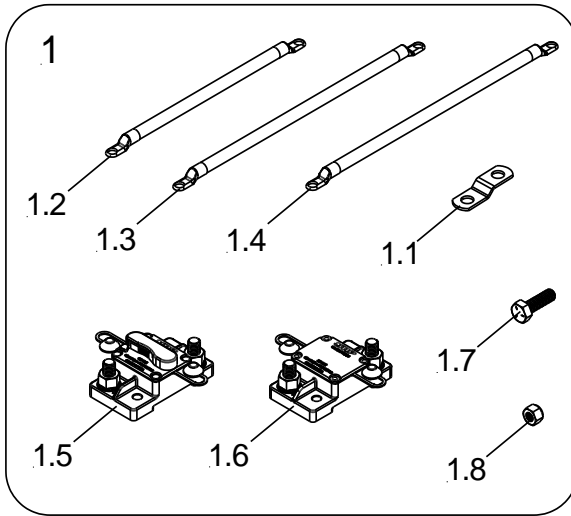
17 Battery Box Kits

INTERLIFT Liftgates use galvanized, galvanized, powder coat, paint, zinc, and other finishes on different liftgate models. It is important to specify what type of finish is required for the ordered replacement parts.



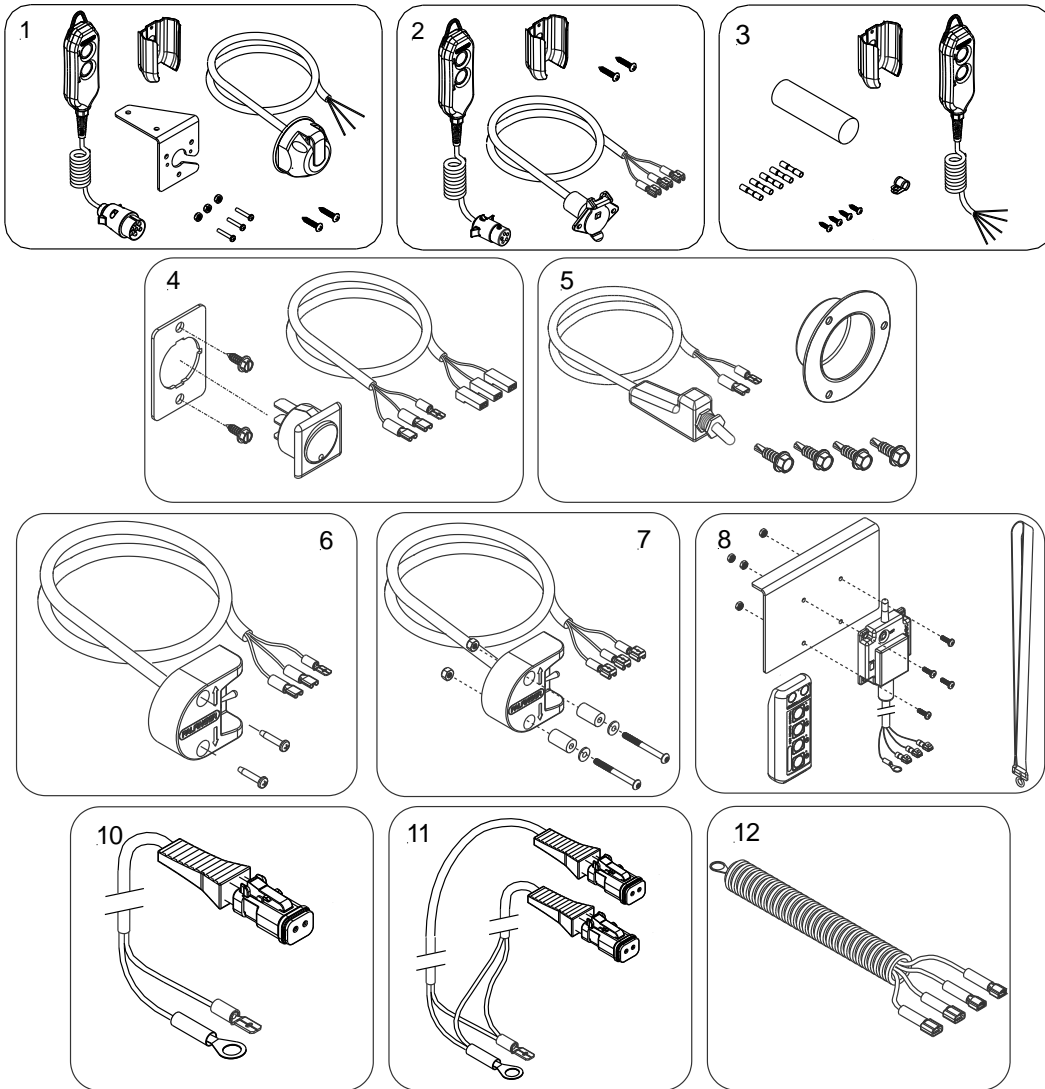
17 – BATTERY BOX KITS			
NO.	DESCRIPTION	PART NO.	QTY.
1	Battery Box Kit, 4-Battery	50-8016-100+G	1
1.1	Battery Box Base, Assembly, Large, Black Paint	50-8016-001+B	1
	Battery Box Base, Assembly, Large, Galvanized	50-8016-001+G	1
1.2	Battery Box Lid Assembly	60-7515-012	1
1.3	Kit, 2-Battery Hold Down	60-7515-151	2
1.4	Nut, 3/8"-16, Gr.5	EM 532	1
1.5	Bus Bar, 2-Battery, Black	KET05916A	1
1.6	Bus Bar, 3-Battery, Black	KET05961A	1
1.7	Bus Bar, 3-Battery, Red	KET05962A	1
1.8	Bus Bar, 2-Battery, Red	KET06062A	1
1.9	Grommet, 7/8" Diameter Hole	EK3504	1
1.10	Washer, Split Lock, 3/8"	EK3238	1
1.11	Nut, Serrated, 3/8"-16; Stainless Steel	EM 781	1
1.12	Hex Head Cap Screw, 3/8"-16x1", Gr. 5, Zinc	ES3446	1
2	Battery Box Kit, 2-Battery	50-8016-200+G	1
2.1	Battery Box, Base, Assembly, 2-Battery	50-8016-201+G	1
2.2	Lid Assy., Aluminum	60-7517-018	1
2.3	2-Battery Hold Down Kit	60-7515-151	1
2.4	Nut, 3/8"-16, Gr. 5	EM 532	1
2.5	Bus Bar, 2-Battery, Black	KET05916A	1
2.6	Bus Bar, 2-Battery, Red	KET06062A	1
2.7	Grommet, 7/8" Diameter Hole	EK3504	4
2.8	Washer, Split Lock, 3/8"	EK3238	1
2.9	Nut, Serrated, 3/8"-16, Stainless Steel	EM 781	4
2.10	Hex Head Cap Screw, 3/8"-16x1", Gr.5, Zinc	ES3446	1
3	Battery Box Kit, 2-Battery, w/Channels	60-7517-022+G	1
3.1	Battery Box, Base, Assembly, 2-Battery, w/Channels	60-7517-020+G	1
3.2	Lid Assy., Alum	60-7517-018	1
3.3	2-Battery Hold Down Kit	60-7515-151	1
3.4	Nut, 3/8"-16, Gr. 5	EM 532	1
3.5	Bus Bar, 2-Battery, Black	KET05916A	1
3.6	Bus Bar, 2-Battery, Red	KET06062A	1
3.7	Grommet, 7/8" Diameter Hole	EK3504	4
3.8	Washer, Split Lock, 3/8"	EK3238	1
3.9	Nut, Serrated, 3/8"-16, Stainless Steel	EM 781	4
3.10	Hex Head Cap Screw, 3/8"-16x1", Gr.5, Zinc	ES3446	1

18 Trailer/Truck Charge Kits



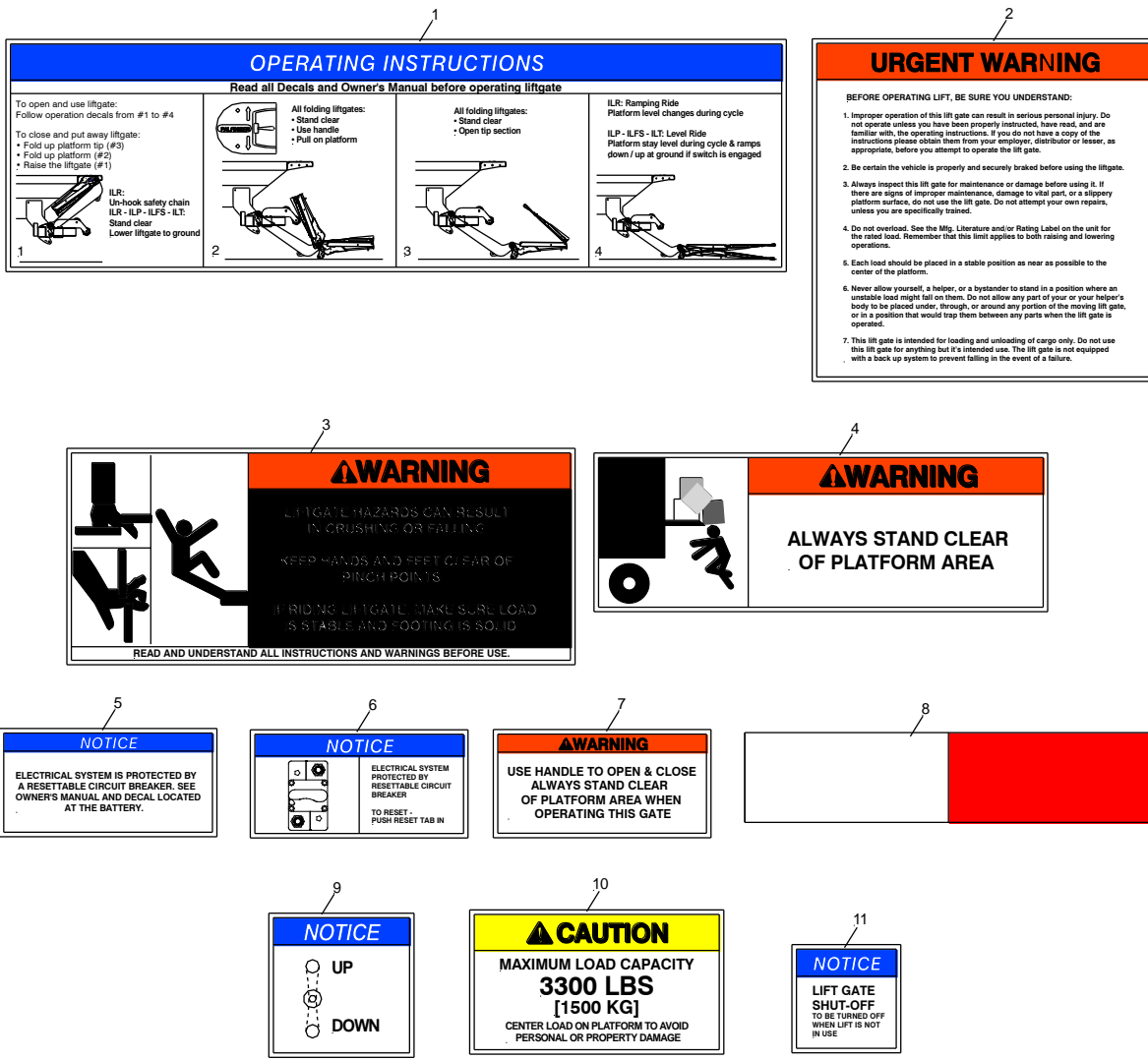
18 – TRUCK/TRAILER CHARGE KITS			
No.	Description	Part No.	Qty.
1	Truck Kit, 40ft., Electrical	70-1115-100	1
1.1	Bus Bar, Copper, Offset	KET06537A	1
1.2	Cable, 2GA, 18", 3/8" Lugs, Red	KET05919A	1
1.3	Cable, 2GA, 74", 3/8" Lugs, Black	KET05925A	1
1.4	Cable, 2GA; 480", 3/8" Lugs, Red	KET06314A	1
1.5	Circuit Breaker, 175a, 3/8" Studs, Manual Reset	70-8114-009	1
1.6	Circuit Breaker, 175a, 3/8" Studs, Auto Reset	70-8114-008	1
1.7	Hex Head Cap Screw, 1/4-20x1.0", Gr.5, Zinc	ES3443	2
1.8	Nut, Nylock 1/4-20, Zinc	EM 722	2
2	Single Pole Kit, Trailer	70-1115-101	1
2.1	Socket, Single Pole	70-8015-019	1
2.2	Cable, 2GA, 18", 3/8" Lugs, Red	KET05919A	1
2.3	Cable, 2GA, 74", 3/8" Lugs, Black	KET05925A	1
2.4	Cable, 2GA; 480", 3/8" Lugs, Red	KET06314A	1
2.5	Hex Head Cap Screw, 5/16-18x1"	ES3724	1
2.6	Circuit Breaker, 175A, 3/8" Studs, Auto Reset	70-8114-008	1
2.7	Washer, Flat, 5/16"	EK3217	1
2.8	Nut, Nylock, 5/16-18	EM 710	1
2.9	Nut, Nylock, 1/4-20 Zinc	EM 722	1
2.10	Hex Head Cap Screw, 1/4-20x1.0", Gr.5, Zinc	ES3443	1
3	Dual Pole Kit, Trailer	70-1115-102	1
3.1	Socket, Dual Pole	70-8015-018	1
3.2	Cable, 2GA, 18", 3/8" Lugs, Red	KET05919A	1
3.3	Cable, 2GA, 480", 3/8" Lugs, Black	KET05701A	1
3.4	Cable, 2GA; 480", 3/8" Lugs, Red	KET06314A	1
3.5	Hex Head Cap Screw, 5/16-18x1"	ES3724	1
3.6	Circuit Breaker 175A, 3/8" Studs, Auto Reset	70-8114-008	1
3.7	Washer, Flat, 5/16"	EK3217	1
3.8	Nut, Nylock, 5/16-18	EM 710	1
3.9	Nut, Nylock, 1/4-20 Zinc	EM 722	1
3.10	Hex Head Cap Screw, 1/4-20x1.0", Gr.5, Zinc	ES3443	1
4	Single & Dual Pole Kit w/Nose Box, Trailer	70-1115-103	1
4.1	Nosebox, Single & Dual Pole Socket	70-8015-020	1
4.2	Cable, 2GA, 18", 3/8" Lugs, Red	KET05919A	1
4.3	Cable, 2GA, 480", 3/8" Lugs, Black	KET05701A	1
4.4	Cable, 2GA; 480", 3/8" Lugs, Red	KET06314A	1
4.5	Hex Head Cap Screw, Tapping, 5/16-18x1.25"	ES3733	1
4.6	Circuit Breaker 175A, 3/8" Studs, Auto Reset	70-8114-008	1
4.7	Nut, Nylock 1/4-20 Zinc	EM 722	1
4.8	Hex Head Cap Screw, 1/4-20x1.0", Gr.5, Zinc	ES3443	1
5	Circuit Breaker 175A, 1/4" Studs, Manual Reset	70-8115-000	1
6	Circuit Breaker 175A, 1/4" Studs, Auto Reset	70-8115-001	1
7	Circuit Breaker 150A, 3/8" Studs, Manual Reset	70-8115-002	1
8	Circuit Breaker 150A, 3/8" Studs, Auto Reset	70-8115-003	1
9	Circuit Breaker 150A, 1/4" Studs, Manual Reset	70-8115-004	1
10	Circuit Breaker 150A, 1/4" Studs, Auto Reset	70-8115-005	1

19 **Controls**



19 - CONTROLS			
No.	Description	Part No.	Qty.
1	2-Button Hand Control Kit, Plug and Socket, Hella	70-7516-100	1
2	2-Button Hand Control Kit, Plug & Socket, Coil Cord	70-7516-009	1
3	2-Button Hand Control Kit	70-7519-020	1
4	Cab Shut-off Switch Kit	70-0312-100	1
5	Switch, Trailer Kit, ON-OFF	70-8015-008	1
6	Toggle Switch Kit, Up/Down, Primary	P-2004565	1
7	Toggle Switch Kit, Up/Down, Secondary (Optional)	70-8016-050	1
8	Wireless Remote Kit, 2-Way Operation	70-8015-006	1
10	Cable, Valve, Single Deutsch	ML2064735	1
11	Cable, Valve, Dual Deutsch	ML2064736	1
12	Harness, Power Down	70-1011-100	1

20 Decals



20 - DECALS			
NO.	DESCRIPTION	PART NO.	QTY.
1	Operational Instruction	ATG-ILR-ILFS	1
2	Urgent Warning Decal	ATG-URGWA	1
3	Warning- Liftgate Hazards	ATG-WLH	2
4	Warning- Stand Clear	ATG-PLAT	2
5	Decal, Electrical System	ATG-RESET	1
6	Decal, Circuit Breaker, Blue	ATG-BKR	1
7	Warning- Use Handle To Open	ATG-WNG	1
8	Decal, Conspicuity Tape 2"X82"	85-1114-003	1
9	Decal, Up/Down MBB OS# 1282134	ATG-UD	1
10	Decal, Liftgate Capacity	ATG-XXXX*	2
11	Decal, Liftgate Shut Off	ATG-CAB	1

*XXXX = LIFTGATE CAPACITY (LBS) [EXAMPLE PART NUMBER: MLATG- 3300]

Palfinger Interlift, LLC.
 15939 Piuma Ave, Cerritos, CA 90703
 Tel: (888) 774-5844, Fax: (562) 924-8318

Palfinger Interlift, LLC.
 572 Whitehead Road, Trenton, NJ 08619
 Tel: (609) 587-4200, Fax: (609) 587-4201

