

INTERLIFT

BY **PALFINGER**

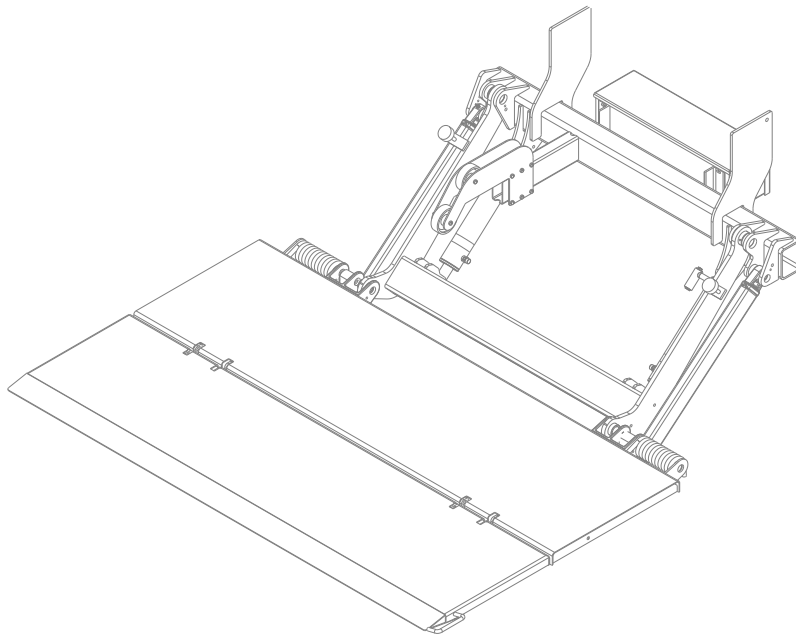
INSTALLATION MANUAL & CHECK OFF SHEET

PLR 20S, 2000 lbs. Capacity

PLR 25S, 2500 lbs. Capacity

PLR 25D, 2500 lbs. Capacity

PLR 33D, 3300 lbs. Capacity



PLR 20S/25S/25D/33D Installation Manual
Document Part Number: 90-0316-000 / 16-695_90-00_00-00
ECN-M1723, Rev. 1.3, 12-07-23
Copyright © 2023 Palfinger Interlift, LLC.
All rights reserved.

Information in this document is subject to change without notice.
Visit www.palfinger.com for up to date information and notifications.

If you received this product with damaged or missing parts,
contact INTERLIFT Liftgates at (888)-774-5844

Parts Order/Inquiries
liftgateparts@palfinger.com

Technical Support
technicalapplications@palfinger.com



15939 Piuma Ave.
Cerritos, CA 90703
Tel (888) 774-5844
Fax (562) 924-8318



572 Whitehead Road.
Trenton, NJ 08619
Tel (609) 587-4200
Fax (609) 587-4201

Table of Contents

1	Manual Updates	5
2	Safety Information	6
3	Important Information	7
4	Tools For Installation	9
	4.1 Boxed Items.....	9
5	General View of PLR Liftgates.....	10
	5.1 PLR S-Model Liftgate (Single Cylinder).....	10
	5.2 PLR D-Model Liftgate (Dual Cylinder)	11
	5.3 Important Dimensions	12
6	Installation Dimensions	13
7	Platform Compatibility	15
8	Chassis and Body Preparation - 800mm [31.50"] Liftarm.....	16
9	Chassis and Body Preparation - 900mm [35.40"] Liftarm.....	17
10	Liftgate Installation.....	18
	10.1 Sill Cutouts.....	18
11	Bed Extension Installation	19
	11.1 Bed Extension (Weld-On)	19
	11.2 Bed Extension (Bolt-On)	23
12	Liftgate Installation (Truck).....	25
	12.1 Liftgate Installation	25
	12.2 Adjusting the Platform	31
	12.3 Final Steps of Installation	35
	12.4 Sub-frame Installation (Optional).....	36
	12.5 Dock Bumper Installation - Weld-On (Optional).....	37
	12.6 Dock Bumper Installation - Bolt On (Optional).....	38
13	Electrical Installation.....	40
	13.1 Wiring Diagram – Battery Setup.....	41
	13.2 Cable Routing	42
	13.3 Connecting Power to Liftgate	42
	13.4 Wire Crimping	43
	13.5 Circuit Breaker Installation	43
	13.6 Toggle Switch Installation	44
	13.7 Liftgate Shut-Off Switch	46

- 13.8 2-Button Hand Held Remote Control (Optional) 48
- 13.9 Wiring Diagram (Gravity Down)..... 50
- 13.10 Wiring Diagram (Power Down) 51
- 14 Hydraulic Schematic (Gravity Down) 52**
- 14.1 Hydraulic Schematic (Power Down) 53
- 15 Decal Placement and Inspection 54**
- 16 Lubrication 56**
- 17 Final Inspection (Check Off Sheet)..... 58**

Company Information:

Company Name: _____

Advisor Name: _____

Vehicle Year Make & Model: _____

Liftgate Information:

Liftgate Serial Number: _____

Liftgate Model Number: _____

Date of Purchase: _____

Date of Installation: _____

1 Manual Updates

Revision	Description
v1.1	<ul style="list-style-type: none">• Revised Section 7 (Platform Compatibility Table, 800mm liftarm.
v1.2	<ul style="list-style-type: none">• Updated Section 6: Dimensions Sheets.• Updated Section 8: Mounting Dimensions Table.• Updated Section 11.2: Updated bolt-on hole pattern.• Updated Section 12 (all): Updated steps and detailed instructions.• Updated Section 12.2: Added rubber snubber on liftarms.• Updated Section 13.9-13.10: Updated Power & Gravity down wiring schematics.• Updated Section 14: Update PSI for single and dual cylinders.
V1.3	<ul style="list-style-type: none">• Changed the logos from Palfinger to Interlift

2 Safety Information

This manual follows the Guidelines set forth in “ANSI Z535.4-2007” for alerting you to possible hazards and their potential severity.

DANGER

! **DANGER** indicates an imminently hazardous situation which, if not avoided, **will result** in death or serious injury.

WARNING

! **WARNING** indicates potentially hazardous situation which, if not avoided, **could result** in death or serious injury.

CAUTION

! **CAUTION** indicates a potentially hazardous situation which, if not avoided, **may result** in minor or moderate injury.

CAUTION

CAUTION without the safety alert symbol is used to address practices not related to personal injury.

(In this manual it is used to alert the user to potentially hazardous situation which, if not avoided, may result in property damage.)

NOTICE

NOTICE without the safety alert symbol is used to address practices not related to personal injury. *(In this manual it is to alert you to special instructions, steps, or procedures.)*

- Always be aware of your surroundings.
- Wear eye protection at all times during installation.
- Ear protection and gloves should be used when necessary.

3 Important Information

Before Getting Started

“READ FIRST”

NOTICE

The PLR liftgate is a heavy duty industrial hydraulic lifting device. Performance and reliability are closely related to proper installation, battery cable connections, and grounding. All grounding surfaces **MUST** be cleaned, prepped, and sealed per this manual. “Cut to size” cables **MUST** be properly crimped and sealed as factory supplied. All connections **MUST** be dressed with dielectric grease or equivalent sealer.

- Review liftgate invoice, packing slip, and installation drawing to assure delivery of correct gate and complete delivery of accessories and optional equipment.
- Refer to Section 8 and verify that the truck/trailer has sufficient bed height and mount clearance for the selected gate. Keep in mind that the truck/trailer can settle several inches depending on suspension, over hang, addition of equipment and loading.
 1. If the minimum bed height is not maintained the gate will not fold or unfold
 2. If the maximum bed height is exceeded the gate may not reach the ground
- Read and understand the “Installation Manual” and “Owner’s Manual” in their entirety before starting the installation.
- Refer to your truck manufacturer’s instructions before adding any auxiliary equipment. Installer is responsible for compliance with this manual, OEM and FMVSS requirements.
- All welding should be performed by qualified personnel per AWS standards.
- Always Ground closest to your welding point to prevent arcing through moving parts or electrical parts.
- Contact INTERLIFT Liftgates for Special Installations not covered in this Installation Manual.
- Do not paint cylinder shafts or nylon bearings (Use non-chlorinated brake cleaner to remove over spray)
- Final Check-Off-Sheet at rear of this manual **MUST** be filled out and sent to INTERLIFT Liftgates for warranty activation.
- Refer to Owner’s Manual for Operation and maintenance information.
- Check the battery voltage before installation. Flooded lead acid batteries should measure 12.6V and AGM batteries should measure 12.8V. If batteries are not at these voltages, fully charge before installation.

⚠ WARNING

Improper operation of this liftgate may result in severe personal injury or death. DO NOT operate unless you have been properly instructed, have read and are familiar with the procedures in this manual. This manual has been designed to illustrate the steps needed for the basic installation of the PLR liftgate. It also provides safety information and simple preventive maintenance tips.

NOTICE

This manual is not intended for use as a repair or troubleshooting guide. Repairs should be performed by a INTERLIFT Liftgates Authorized Service Center.

This Manual has been designed for use in conjunction with the PLR series liftgate only which is designed for different capacities and features.

1) Refer to the serial number tag on the liftgate, the tag can be found on the driver side of the Mount Frame, as shown in *Fig.1*.

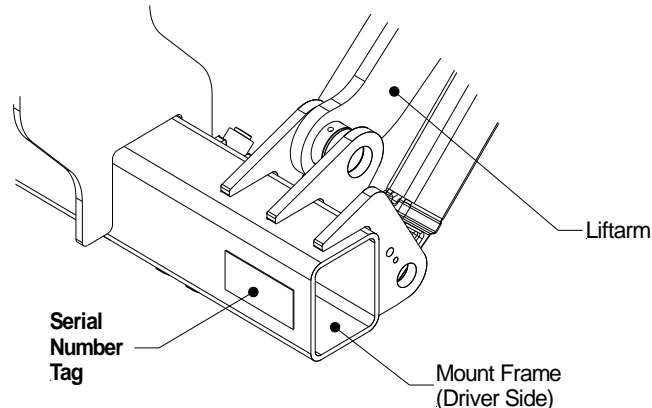


Fig.1

- 2) Ask your employer or lessor;
- 3) Call your INTERLIFT Liftgates Authorized Service Center for assistance.
- 4) Call INTERLIFT Liftgates for assistance in the USA at 888-774-5844. You can also contact INTERLIFT Liftgates by fax (562) 924-8318 or on the internet at www.palfinger.com

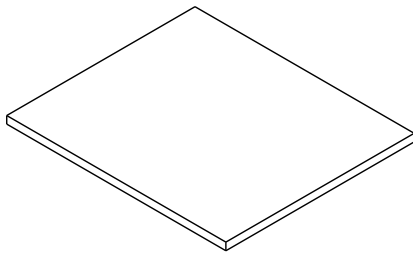
For technical support, contact INTERLIFT Liftgates or an authorized INTERLIFT service center. www.palfinger.com

4 Tools For Installation

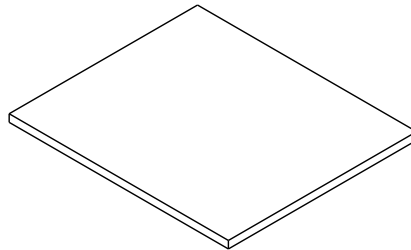
Metric Wrench Set	Basic Screwdrivers	Assorted Pliers	Wire Crimp Pliers
Digital Multi-Meter	Snap Ring Pliers	Hammer	SAE & Metric Allen key Set
½" Impact & Sockets	SAE & Metric Socket Set	Assorted Drill Bits	Floor Jack or Equiv.
Small to medium bottle Jack	Forklift or Over Head Crane	Hand Held Grinder	Paint Gun & Accessories
Pry Bar	3/8 Drill Motor	Grease Gun	Heat Gun or Equiv.
Min. 250 Amp Welder	Cutting Torch or Equiv.	Safety Goggles	Framing Square

4.1 Boxed Items

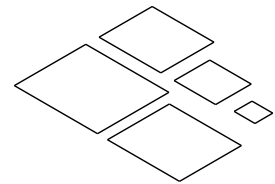
Installation for each boxed item can be found throughout this installation manual.



Owner's Manual
1 pc



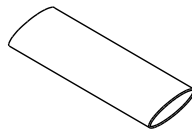
Installation Manual
1 pc



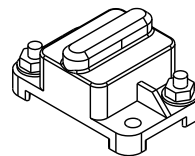
Decal Kit
10 pcs



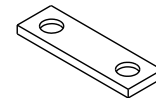
Battery Lug, 5/16"
1 pc



Heat Shrink,
ø1/2" x 3"L
1 pc



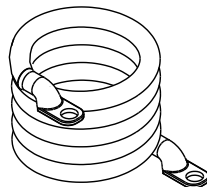
Circuit Breaker
1 pc



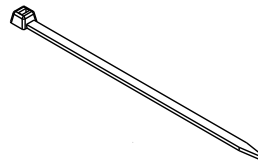
Copper Bus Bar
1 pc



Toggle Switch
1 pc



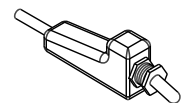
Power Cable
1 pc



8" Nylon Cable Tie
15 pcs



For Trailers



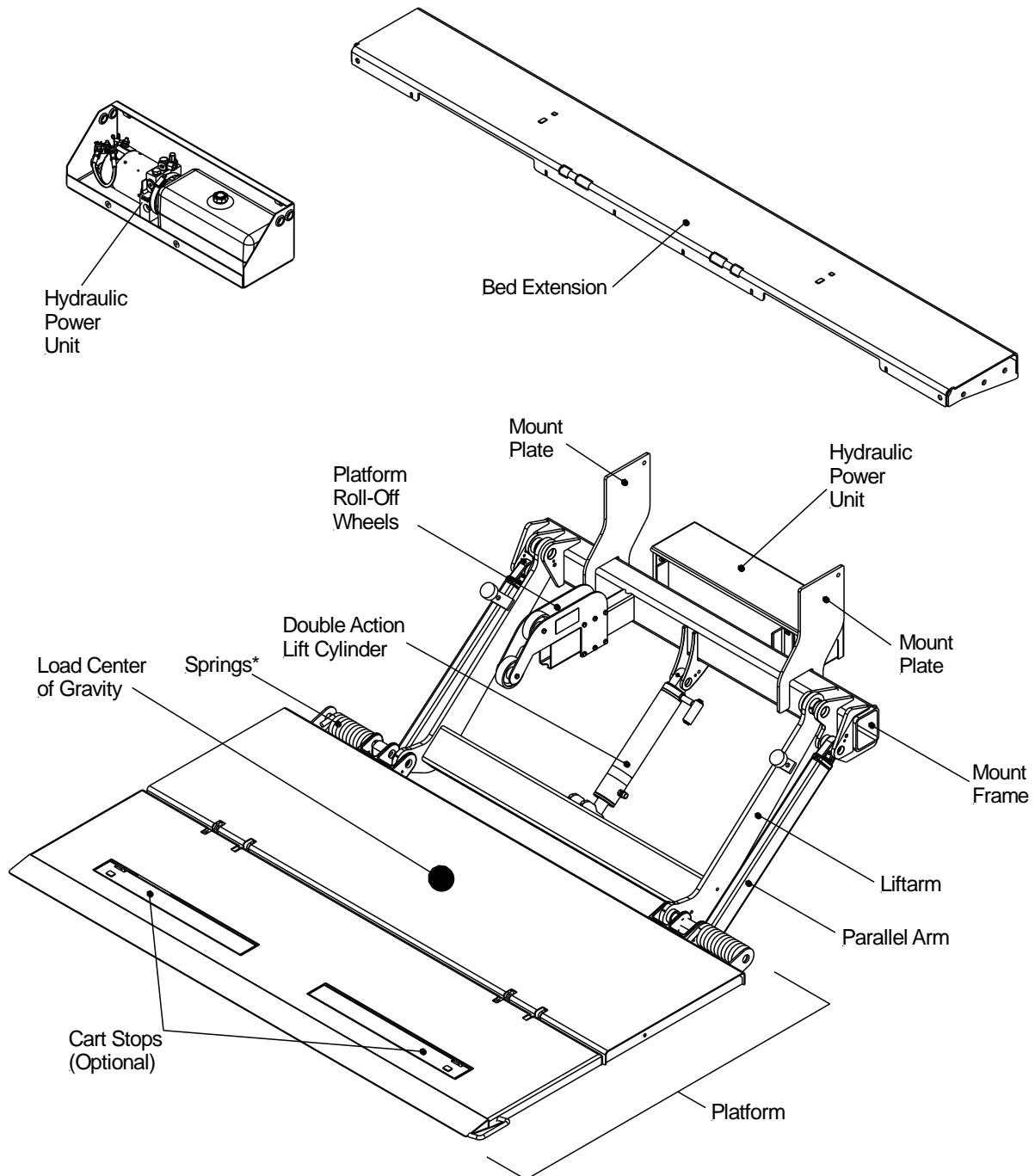
Shut Off Switch
1 pc

5 General View of PLR Liftgates

5.1 PLR S-Model Liftgate (Single Cylinder)

Single Cylinder Available Options:

- Lift Capacities: 2000 lbs; 2500 lbs.
- Power Down (Electrical) – Power (motor) assisted operation for lowering platform.



**No spring installed on left side for 42" and 48" aluminum platforms only.*

5.2 PLR D-Model Liftgate (Dual Cylinder)

Dual Cylinder Available Options:

- Lift Capacities: 2500 lbs; 3300 lbs.
- Power Down (Electrical) – Power (motor) assisted operation for lowering platform.
- Standard Configuration - No bumper. **Fig.2.**
- Center Bumper- Three piece bumper assembly positioned in the center of the mount frame. **Fig.3.**
- DOT Bumper- Three section bumper that meets Department of Transportation requirements. **Fig.4.**
- Hitch Bumper – Three piece assembly with hitch receiver and “D” rings. **Fig.5.**

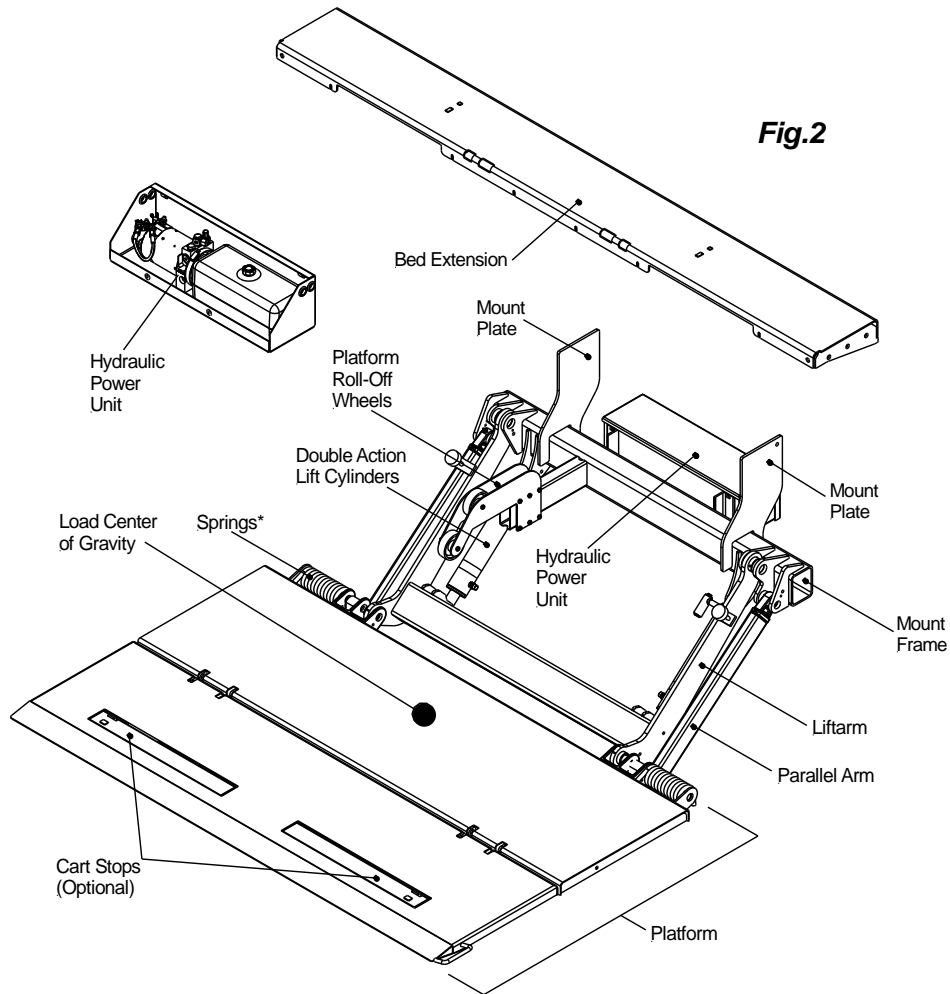


Fig.2

PLR Liftgate Optional Configurations

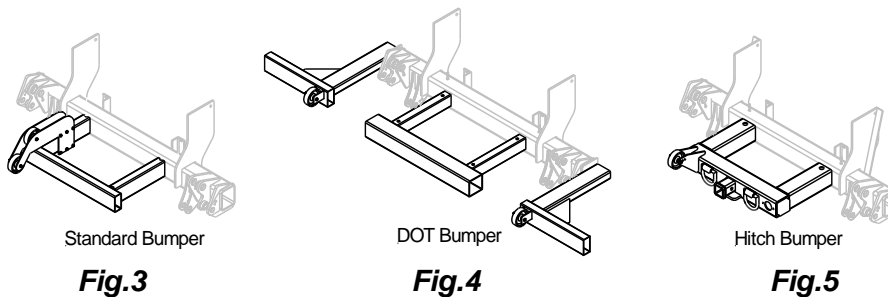


Fig.3

Fig.4

Fig.5

*No spring installed on left side for 42" and 48" aluminum platforms only.

NOTICE

5.3 Important Dimensions

**Minimum Bed Height dimensions are ALWAYS MAXIMUM LOADED TRUCK.
Maximum Bed Height dimensions are ALWAYS DRY UNLOADED TRUCK.**

- Installing a gate at or close to minimum bed height normally results in a gate that will NOT open and close from stored position if the minimum floor height is exceeded when truck is loaded.
- Ensure trailer/truck body does not interfere with installation or operation of the PLR liftgate series.
- It is not recommended to cut, torch, or remove support materials from trailer/truck. Removing gussets, stiffeners, light rings, or other such support structures may VOID your trailer/truck warranty.
- Call technical support before starting the installation if any questions or concerns arise on mounting dimensions or procedures.
- Minimum clearance area required for a PLR liftgate to install on a vehicle is 30". Clearance area should be free of any obstructions that will prevent the installation of the liftgate, **Fig.6**.

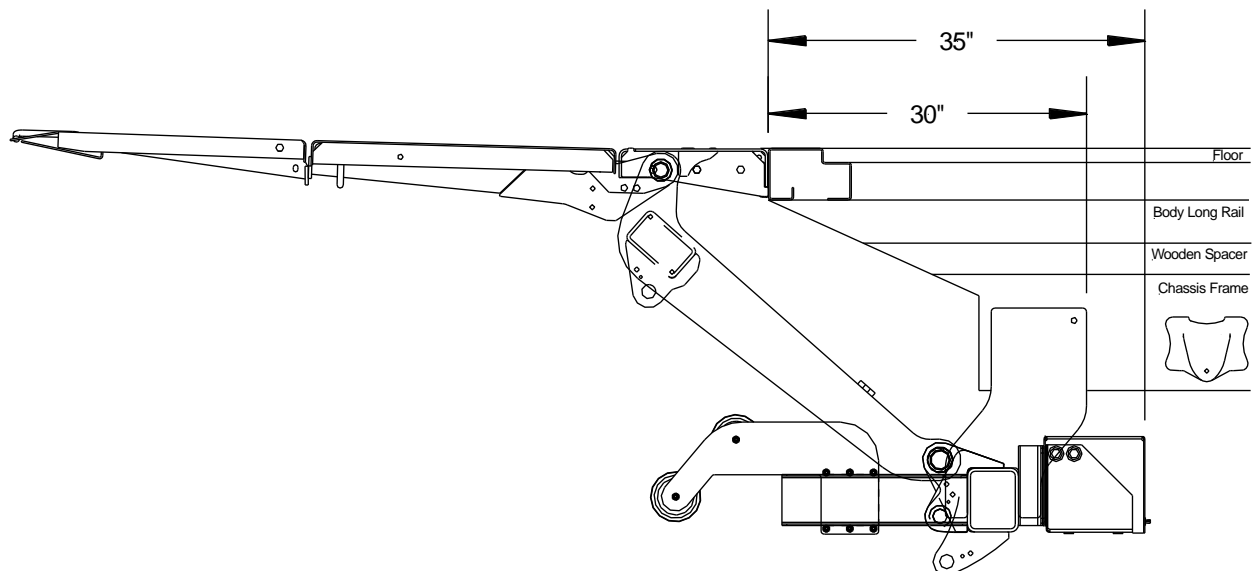


Fig.6

6 Installation Dimensions



Trailer Chassis Dimension Sheet

Customer Information

Quote#/SO#: _____
 Company: _____
 Phone: _____
 Email: _____ @ _____

Liftgates Information:
Model:
Capacity:
Platform Size:
Platform Material:

Trailer Information

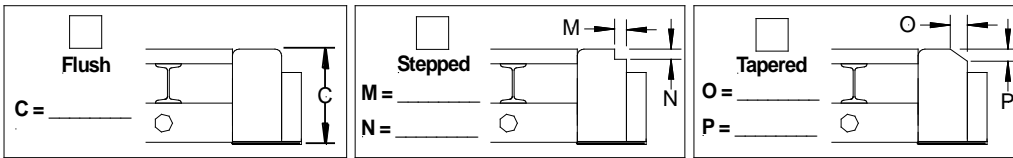
Trailer Specifications:	Type of Body (check applicable) <input checked="" type="checkbox"/>	Type of Rear Door (check applicable) <input checked="" type="checkbox"/>
Manufacturer: (ex. Utility)	Van	Flip-Up
GVWR: (ex. 68,000 lbs)	Flatbed	Roll-Up
Length: (ex. 53ft)	Reefer	Swing
Width: (96", 102")	Other (specify) _____	Other (specify) _____

Trailer Dimensions

A = Bedheight: Top of trailer floor to level ground (with airbags up):.....

B = Top of floor to bottom of trailer cross member:.....

C = Rear sill height (Top of floor to bottom of buck plate): *If Stepped sill complete M,N; If Tapered sill complete O, P.*



D = Crossmember height:.....

E = Tire to end of vehicle body:.....

F = Bogie to end of vehicle body:..... Sliding Suspension? Yes No
 If Yes complete G, H, I, K, and L dimensions

G = Inside horizontal width of sliding suspension angles:.....

H = Diameter of sliding suspension holes:.....

I = Hole spacing:.....

J = Bottom of crossmembers to bottom of sliding ramp box, if applicable:.....

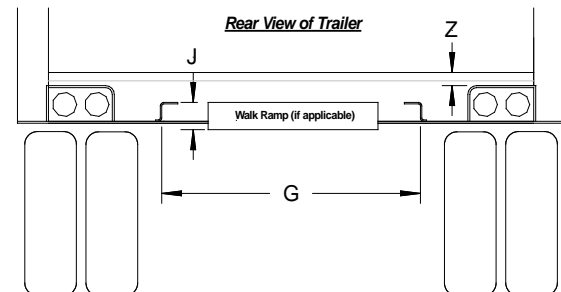
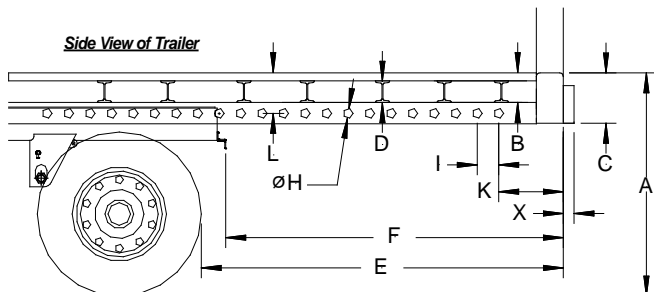
K = Rear sill face to first slider hole:.....

L = Top of floor, where liftgate platform will meet floor, to the center of the trailer slider holes:.....

X = Eyebrow depth:.....

Z = Top of floor, where the liftgate platform will meet the top of the eyebrow:.....

Notes:



90-9813-002_b



Truck Chassis Dimension Sheet

Customer Information

Quote#/SO#: _____
 Company: _____
 Phone: _____
 Email: _____ @ _____

Liftgates Information:
Model
Capacity
Platform Size
Platform Material

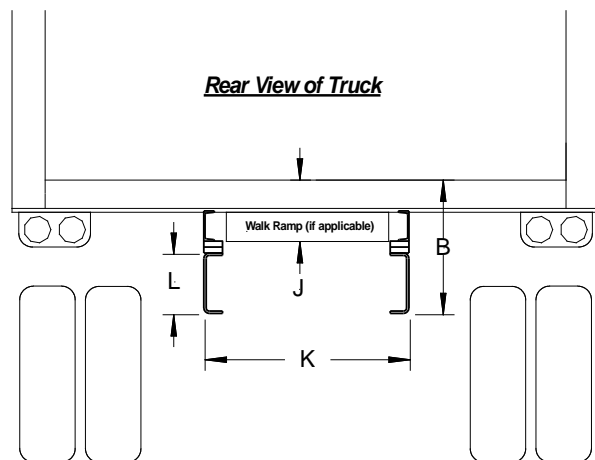
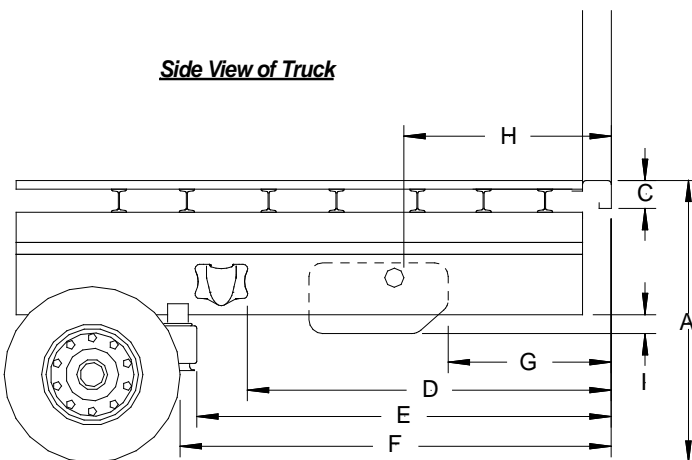
Truck Information

Truck Specifications:	Type of Body <i>(check applicable)</i> <input checked="" type="checkbox"/>	Type of Rear Door <i>(check applicable)</i> <input checked="" type="checkbox"/>
Manufacturer: <i>(ex. Hino)</i>	Van	Flip-Up
GVWR: <i>(ex. 68,000 lbs)</i>	Flatbed	Roll-Up
Length: <i>(ex. 53ft)</i>	Reefer	Swing
Width: <i>(96", 102")</i>	Other (specify) _____	Other (specify) _____

Truck Dimensions

- A = Bedheight:..... _____ Loaded Bedheight:..... _____
- B = Top of floor to bottom of frame:..... _____
- C = Rear sill height:..... _____
- D = Spring hanger to end of body (if applicable):..... _____
- E = Air bag suspension to end of body (if applicable):..... _____
- F = Tire to end of vehicle body:..... _____
- G = Gas tank to end of body (if applicable):..... _____
- H = Fuel filler hole to end of body (if applicable):..... _____
- I = Bottom of frame to bottom of gas tank (if applicable):..... _____
- J = Top of floor to bottom of sliding walk ramp (if applicable):..... _____
- K = Frame Width: Width of chassis frame:..... _____
- L = Frame Height: Height of chassis frame:..... _____

Notes:



90-9813-003_b

7 Platform Compatibility

NOTICE

Vehicle bed heights are absolute minimum for the corresponding platform sizes when the vehicle is fully loaded and gassed.

800mm [31.50] Liftarm			
Vehicle Bed Height	Platform Sizes		
	42"	48"	54"
52	✓	✓	✓
51	✓	✓	✓
50	✓	✓	✓
49	✓	✓	✓
48	✓	✓	✓
47	✓	✓	✓
46	✓	✓	✓
45	✓	✓	✓
44	✓	✓	✓
43	✓	✓	✓
42	✓	✓	n/a
41	✓	✓	n/a
40	✓	✓	n/a
39	✓	✓	n/a
38	✓	✓	n/a
37	✓	n/a	n/a
36	✓	n/a	n/a

n/a=not available

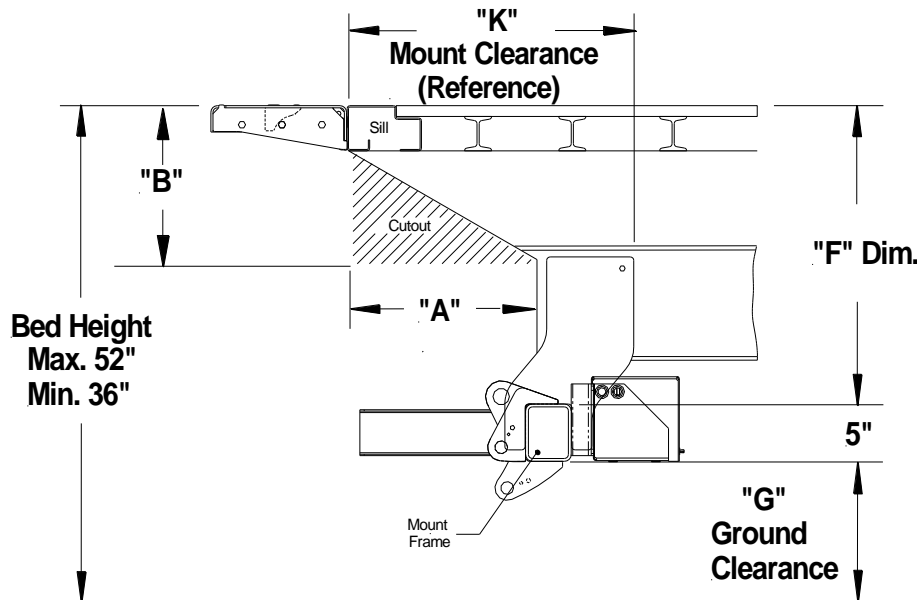
900mm [35.40] Liftarm			
Vehicle Bed Height	Platform Sizes		
	48"	54"	60"
56	✓	✓	✓
55	✓	✓	✓
54	✓	✓	✓
53	✓	✓	✓
52	✓	✓	✓
51	✓	✓	✓
50	✓	✓	✓
49	✓	✓	✓
48	✓	✓	✓
47	✓	✓	✓
46	✓	✓	✓
45	✓	✓	✓

8 Chassis and Body Preparation - 800mm [31.50"] Liftarm

NOTICE

- Decrease ground clearance only to clear obstructions (i.e. fuel tanks, cross members, hitches, etc.) **WITHOUT EXCEEDING MAXIMUM "F" dimension of 25"**.
- Minimum bed height is when truck/trailer is loaded to Maximum GVW (Gross Vehicle Weight).
- "F" dimension: Mount and Ground clearance always relate to each other on a set floor height. If the "F" dimension is increased for a shorter mount clearance, the ground clearance will decrease.

- 1) **Bed Height:** Bed Height Ranges: Max=Unloaded / Min=Loaded Truck Measure from **TOP** of body floor to ground. Vehicle must be on a flat leveled surface when measuring.
- 2) **"F" Dim (Mount Frame Height):** Measure from top of Mount Frame to top of body floor.
- 3) **"K" Dim Ref. (Mount Clearance):** Measure from rear of body to front edge of Mount Plates.
- 4) **"G" Dim (Ground Clearance):** Measure from bottom of Mount Frame to ground.
- 5) **"A" Dim (Body Cutout):** Measure from the rear of the sill towards the front of the vehicle.
- 6) **"B" Dim (Body Cutout):** Measure from top of the sill down to the ground.
- 7) **800mm [31.50"] Liftarm:** Measure from center to center of pivot pins.



Mounting Dimension Table					
Mounting Dimensions for 800mm [31.50"] Liftarm			Chassis Frame Cutout Dimensions		
Bed Height (Laden)	F Dim.	G Dim.	K Dim.	A Dim.	B Dim.
52"-47"	25"	22"-17"	25"	17"	16"
47"-43"	22"	20"-16"	28"	19"	10"
43"-38"	18"	20"-15"	30"	18"	7"
38"-36"	17"	16"-14"	31"	16"	7"

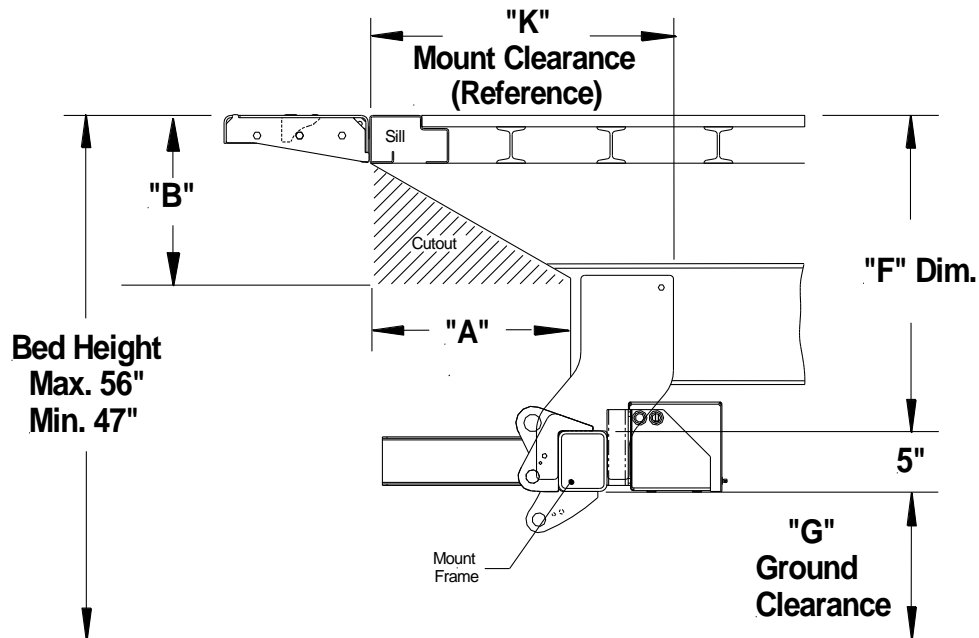
G Dim = Bed Height – F Dim. – Mount Frame Height
Never exceed any of the dimensions from the table when installing the liftgate.

9 Chassis and Body Preparation - 900mm [35.40"] Liftarm

NOTICE

- Decrease ground clearance only to clear obstructions (i.e. fuel tanks, cross members, hitches, etc.) **WITHOUT EXCEEDING MAXIMUM "F" dimension of 28"**.
- Minimum bed height is when truck/trailer is loaded to Maximum GVW (Gross Vehicle Weight).
- "F" dimension: Mount and Ground clearance always relate to each other on a set floor height. If the "F" dimension is increased for a shorter mount clearance, the ground clearance will decrease.

- 1) **Bed Height:** Bed Height Ranges: Max=Unloaded / Min=Loaded Truck Measure from **TOP** of body floor to ground. Vehicle must be on a flat leveled surface when measuring.
- 2) **"F" Dim (Mount Frame Height):** Measure from top of Mount Frame to top of body floor.
- 3) **"K" Dim Ref. (Mount Clearance):** Measure from rear of body to front edge of Mount Plates.
- 4) **"G" Dim (Ground Clearance):** Measure from bottom of Mount Frame to ground.
- 5) **"A" Dim (Body Cutout):** Measure from the rear of the sill towards the front of the vehicle.
- 6) **"B" Dim (Body Cutout):** Measure from top of the sill down to the ground.
- 7) **900mm [35.40"] Liftarm:** Measure from center to center of pivot pins.



Mounting Dimension Table					
Mounting Dimensions for 900mm [35.40"] Liftarm			Chassis Frame Cutout Dimensions		
Bed Height (Laden)	F Dim.	G Dim.	K Dim.	A Dim.	B Dim.
56"-52"	28"	23"-20"	28"	20"	17"
52"-47"	26"	21"-16"	30"	21"	15"

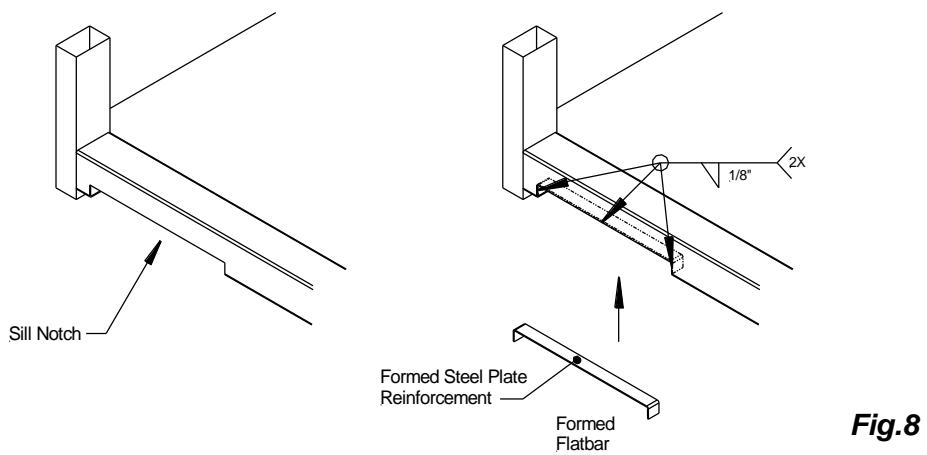
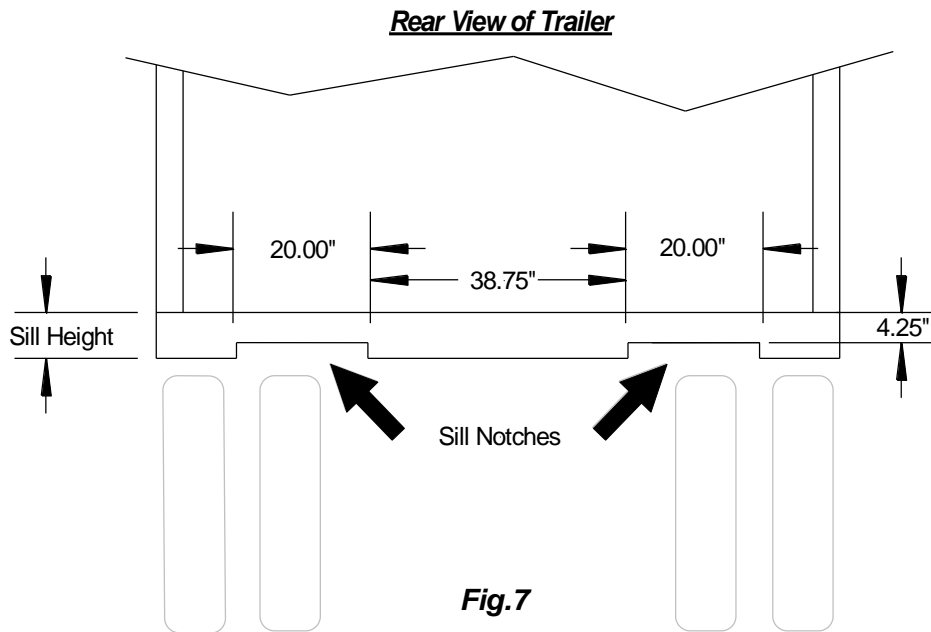
G Dim = Bed Height – F Dim. – Mount Frame Height
 *Vehicle bed heights tend to lower 3"-4" when loaded.

10 Liftgate Installation

10.1 Sill Cutouts

To prevent interference with the platform the vehicles sill could require notching.

Options	
Sill Height	Action
4"	No sill notching required.
5"	If not notched, platform will be offset down approximately 1"-2" from bed extension.
Over 5"	Notch sill as show in Fig.7 . Notches will require reinforcement, Fig.8



Reinforce all sill cutouts with flatbar, **Fig.8**

11 Bed Extension Installation

11.1 Bed Extension (Weld-On)

1. Mark the center of the vehicle body and the bed extension. Clamp the bed extension to the forklift Forks, **Fig.9**. Maintain the bed extension centered and flush to the sill vertically and horizontally. Check for squareness before continuing.

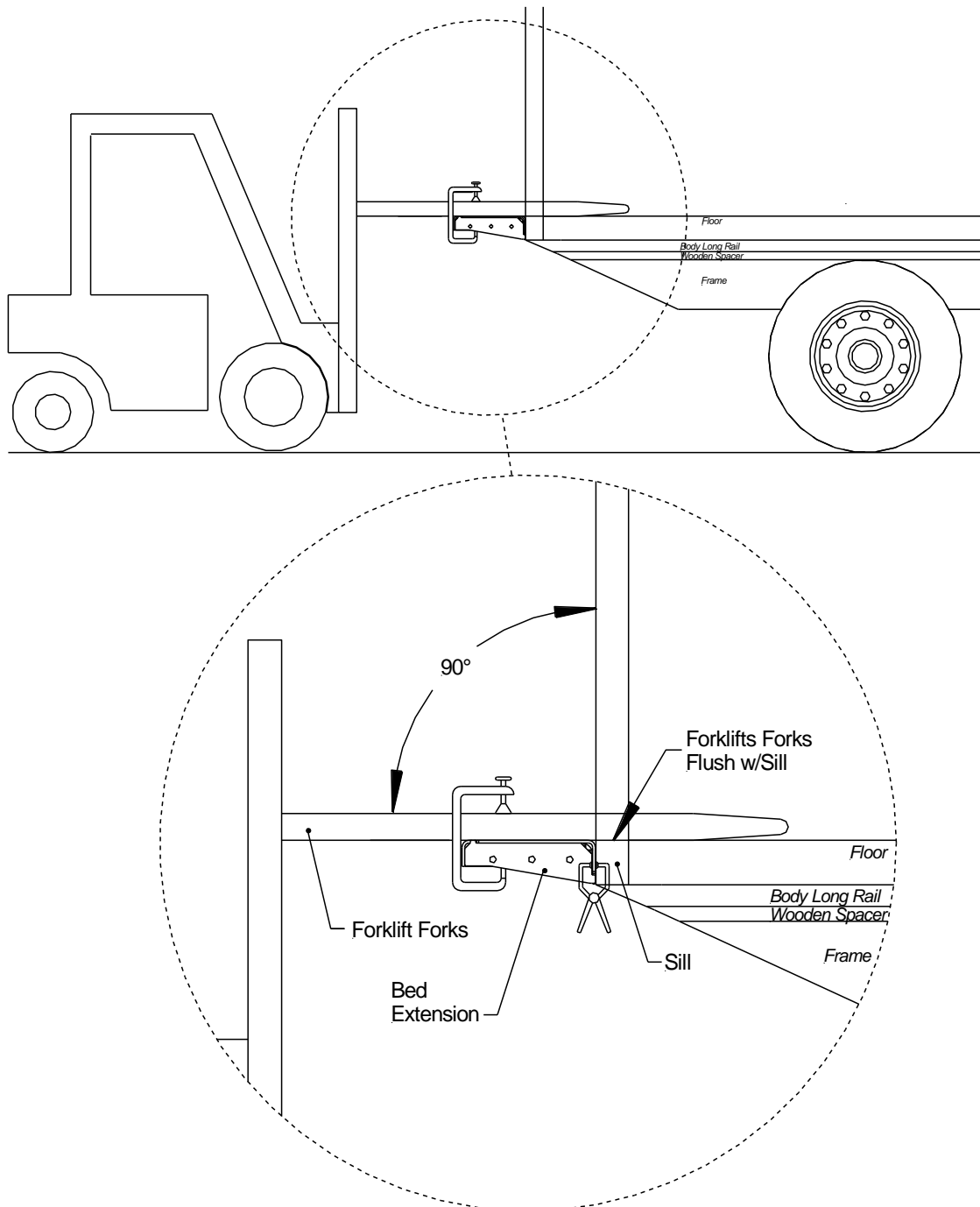


Fig.9

If using a hoist, make a hole on the edge of a 3" standard channel, **Fig.10**. Clamp the channels to the bed extension and attached the hoist to the 3" channels. Maintain the bed extension centered and flush to the sill vertically and horizontally. Check for squareness before continuing.

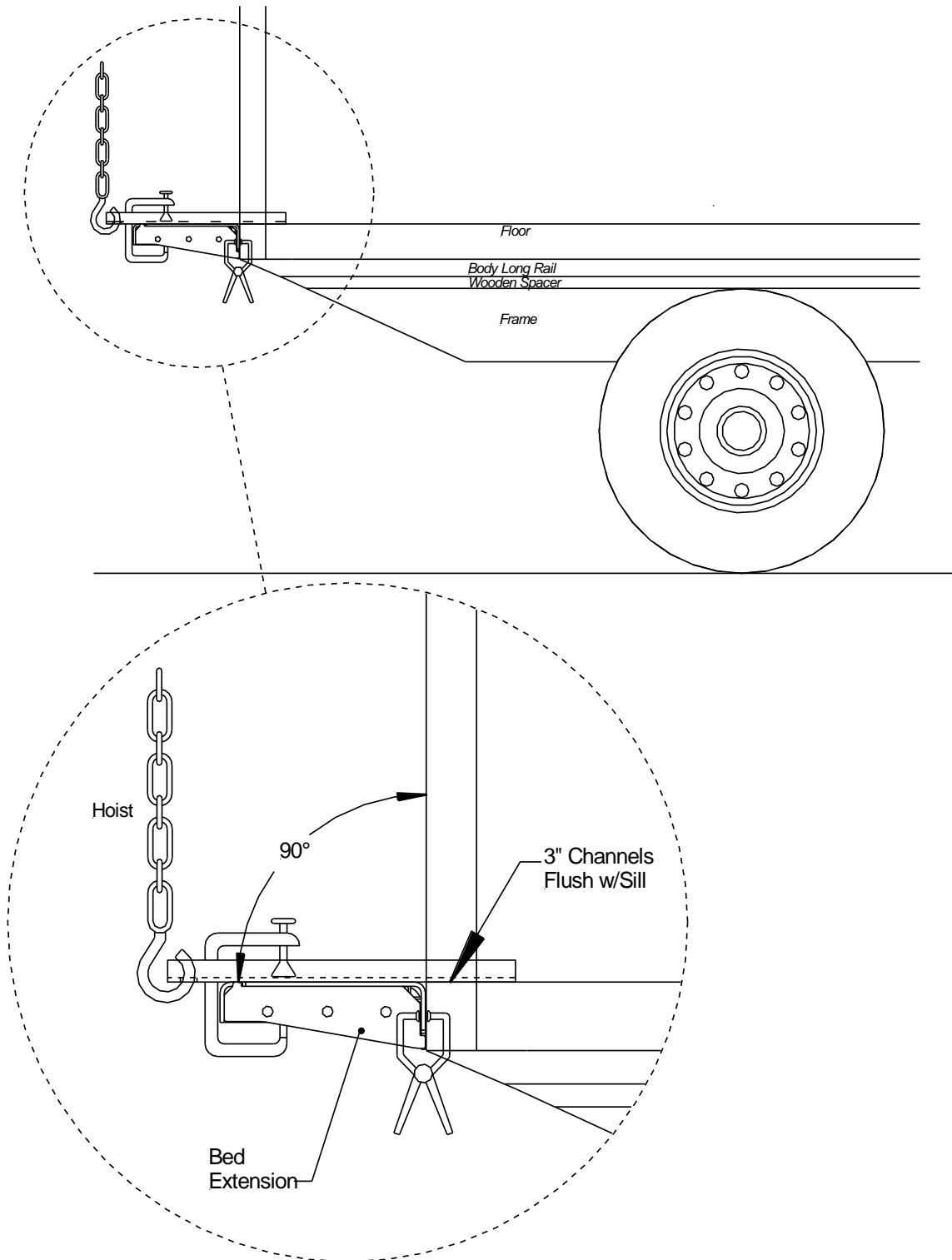
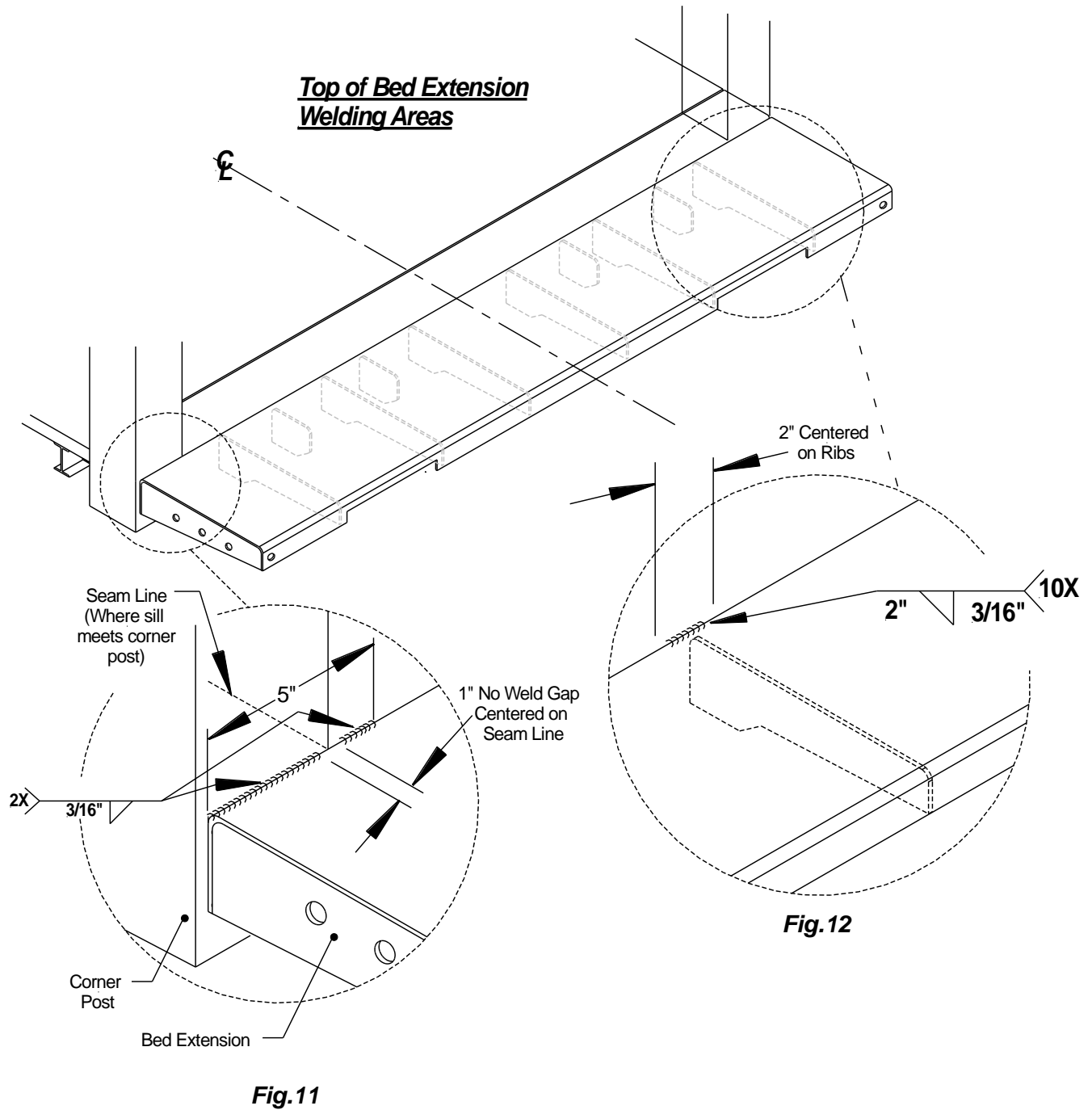


Fig.10

2. Weld $3/16"$ x $5"$ welds on each end on the bed extension. Keep $1"$ gap clearance on corner post seam line, **Fig.11**. All other welds shall be $3/16"$ x $2"$ centered on each rib, top and bottom of bed extension, **Fig.12**. Bed extension shall be flush with floor level, **Fig.13**.



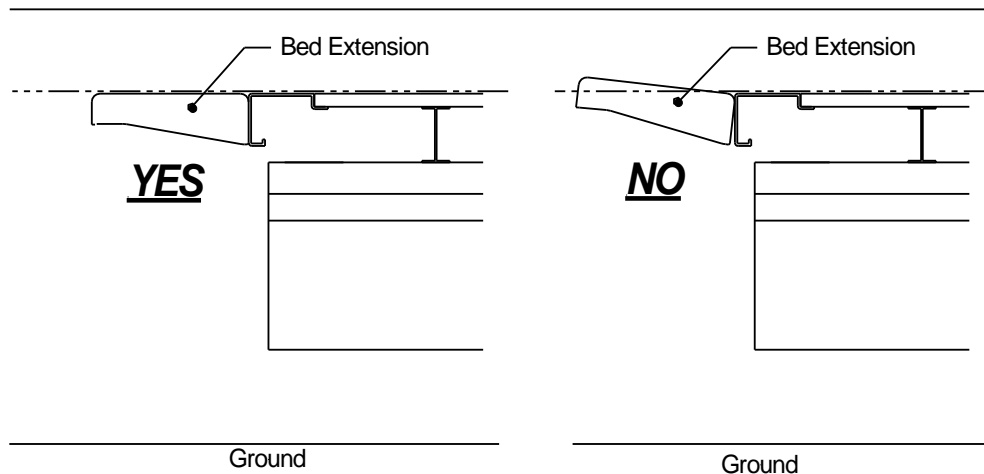
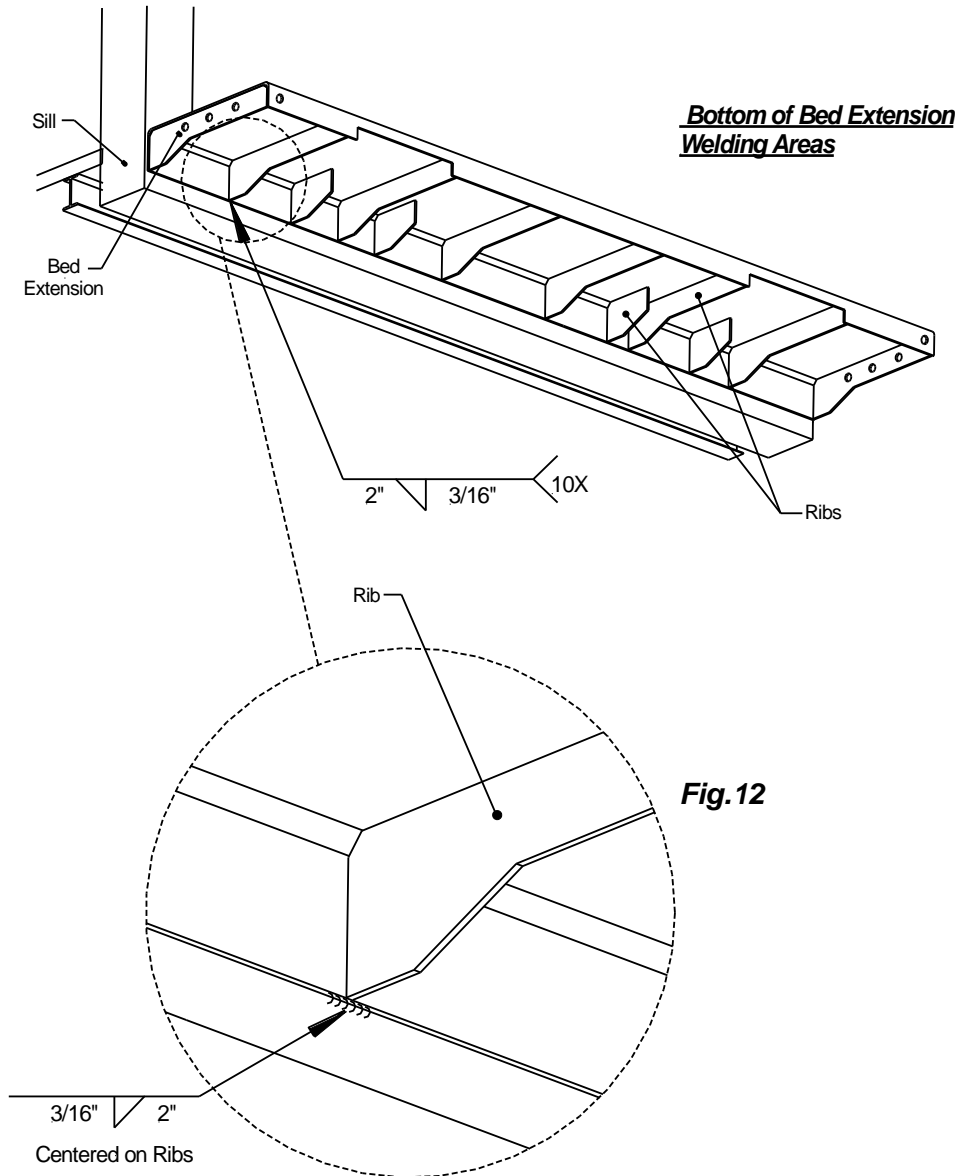
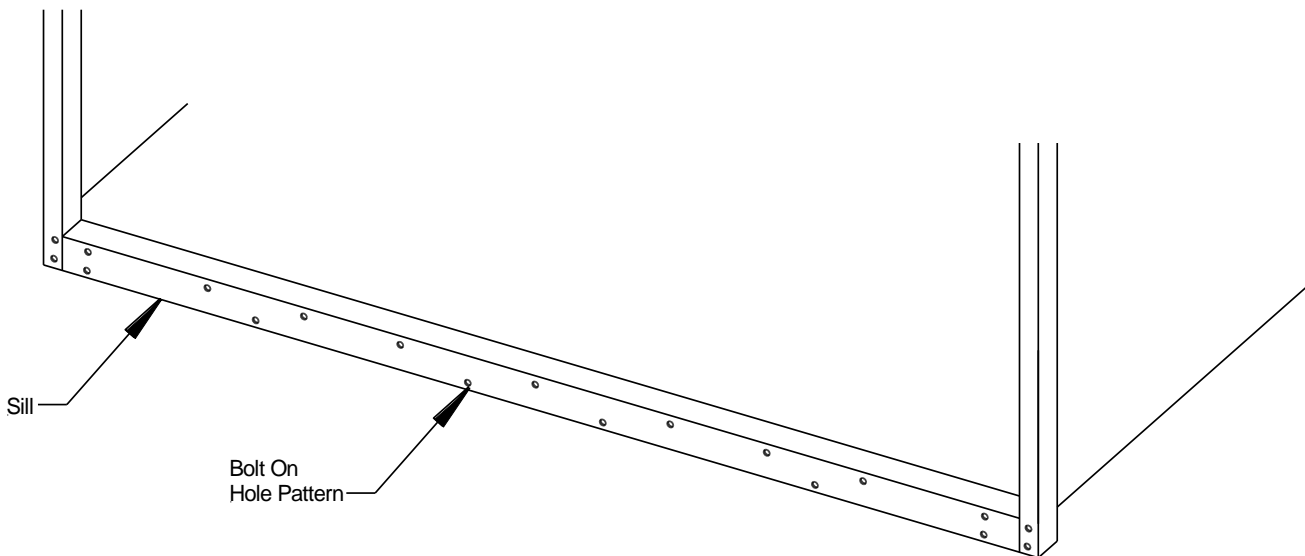
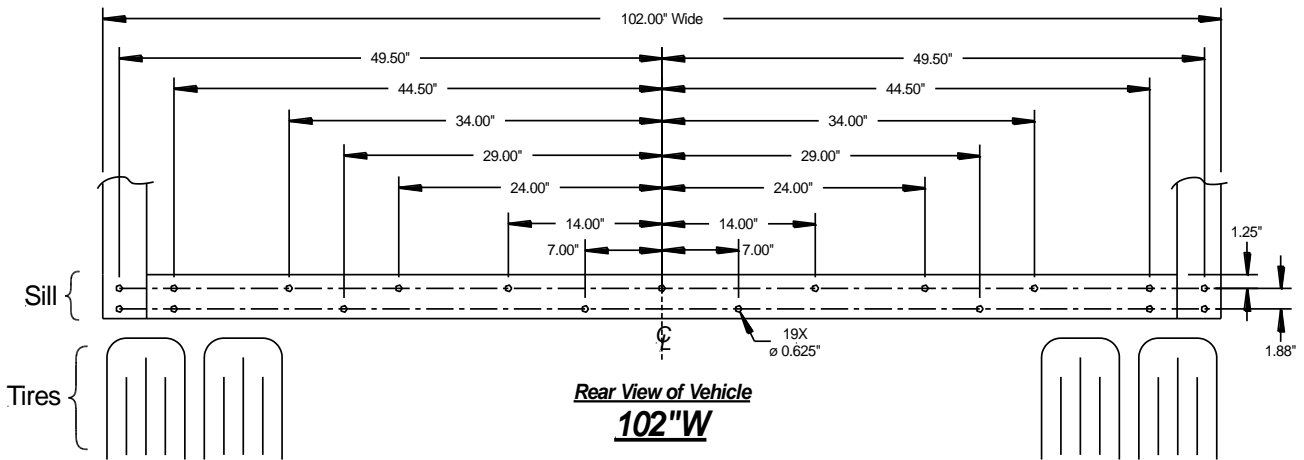
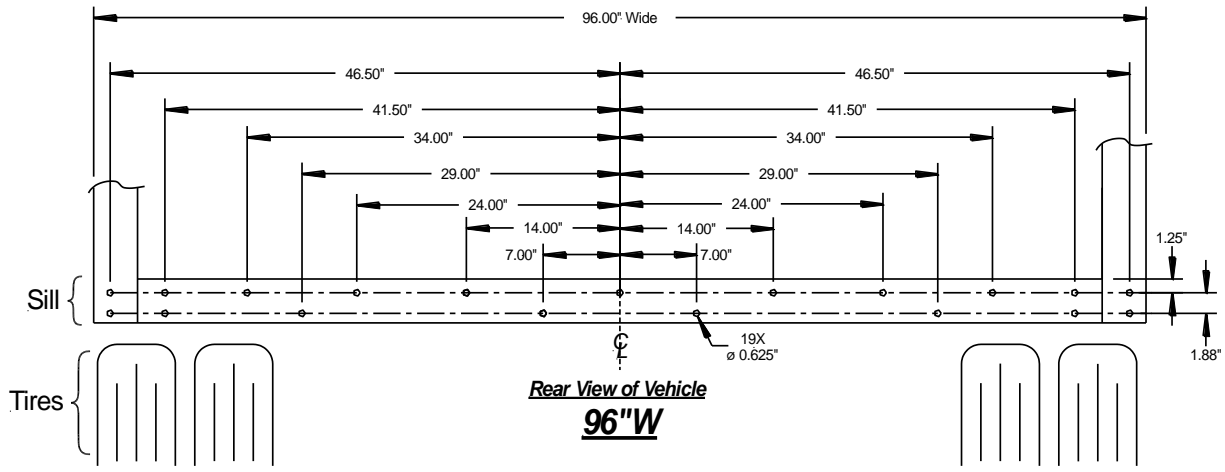


Fig.13

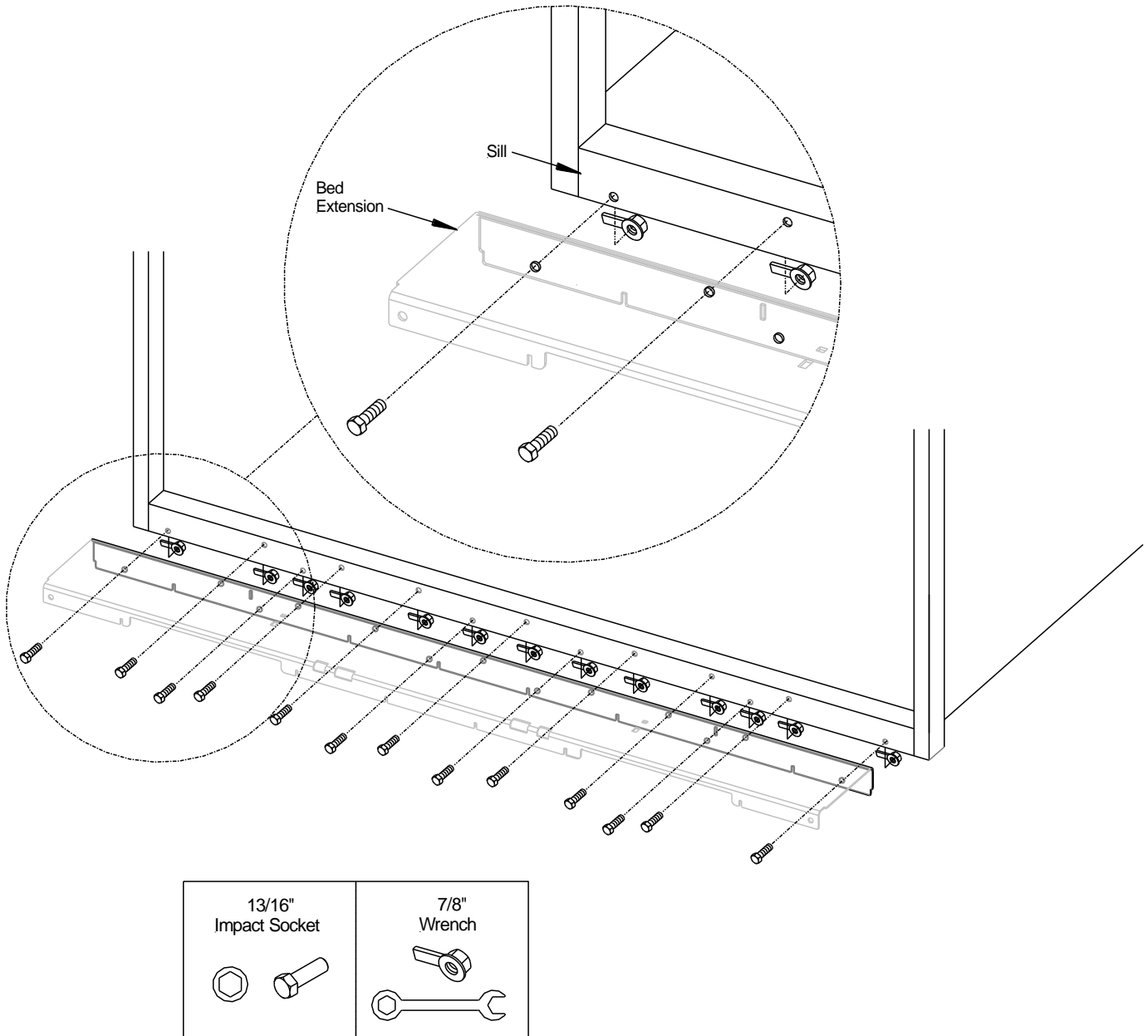
11.2 Bed Extension (Bolt-On)

1. Determine the vehicle width, 96" wide or 102" wide. Pre-drill 19, 5/8" holes on the rear of the sill per the dimensions above.



- Use a forklift, hoist or equivalent to support the bed extension and align the bed extension with the pre-drilled hole pattern on the sill. Verify the bed extension is squared. Secure the bed extension to the sill with the provided 9/16-18 x1.75" bolts and 9/16" nuts. Torque all bolts to 125 ft./lbs. min., 145 ft./lbs. max.

Recommendation: It is highly recommended to lubricate all bolts and nuts to facilitate installation.



Bolt-On Bed Extension

12 Liftgate Installation (Truck)

12.1 Liftgate Installation

⚠ WARNING

Never work under platform without safety supports.

CAUTION

High heat from welding can damage components within the heated area.

Steps:

1. Hoist Platform: Unfold platform manually and clamp forklift forks, overhead crane, or equivalent to platform. Make sure the platform is secured. Always maintain the platform centered to the vehicles body. Determine the pitch of the platform by referencing the Pitch Dimension Table based on the "F" dimension and bedheight, **Fig.14**.

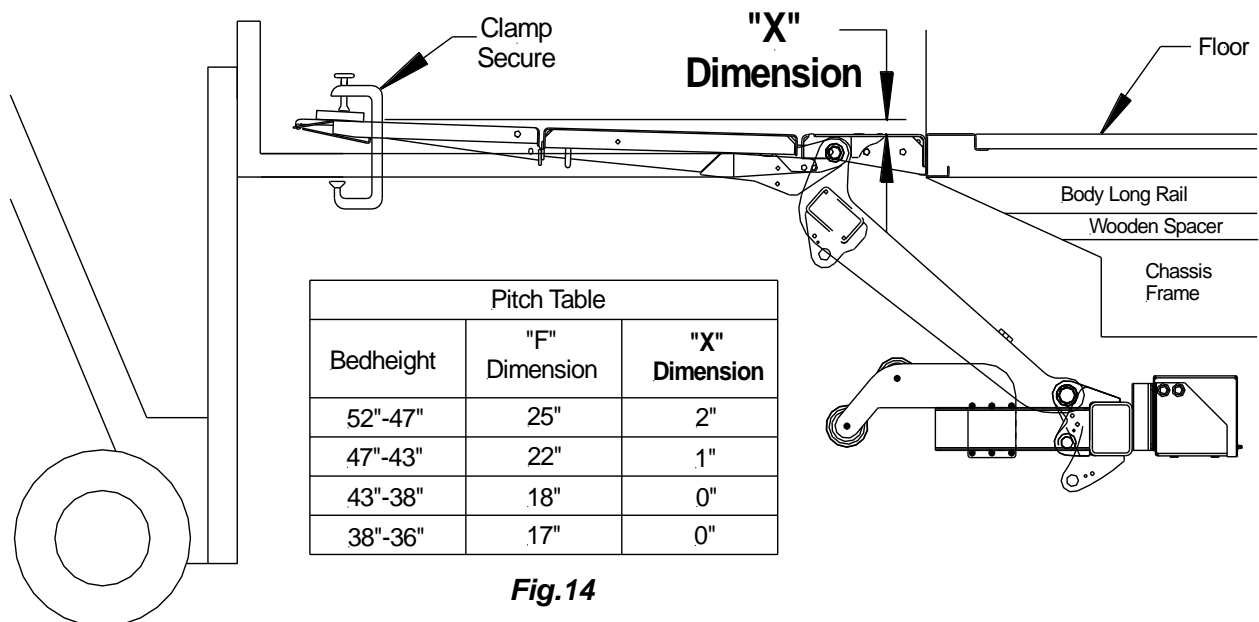
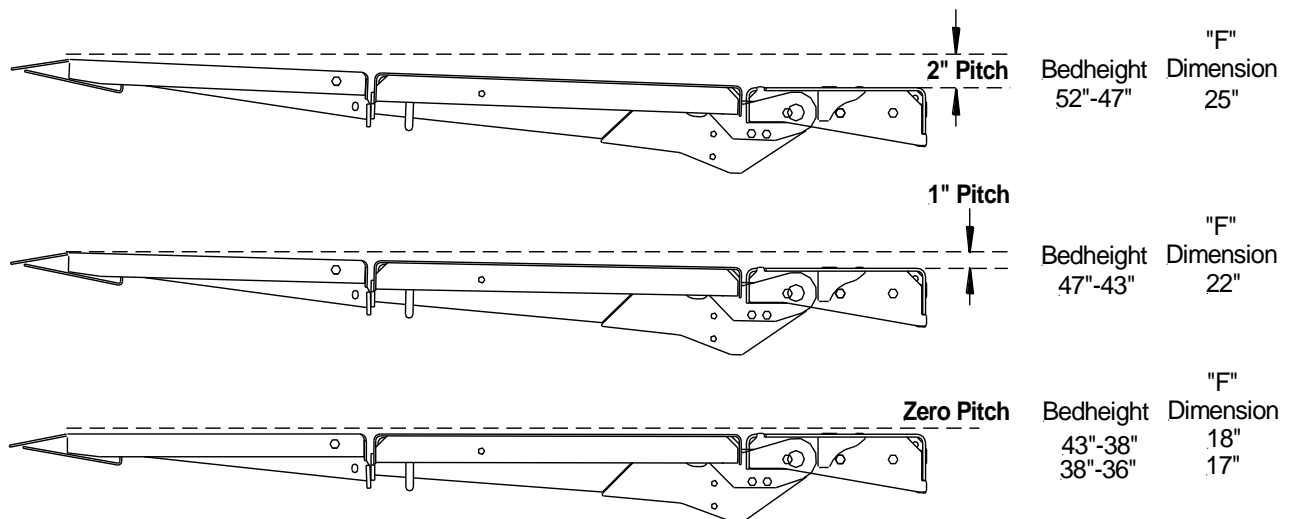
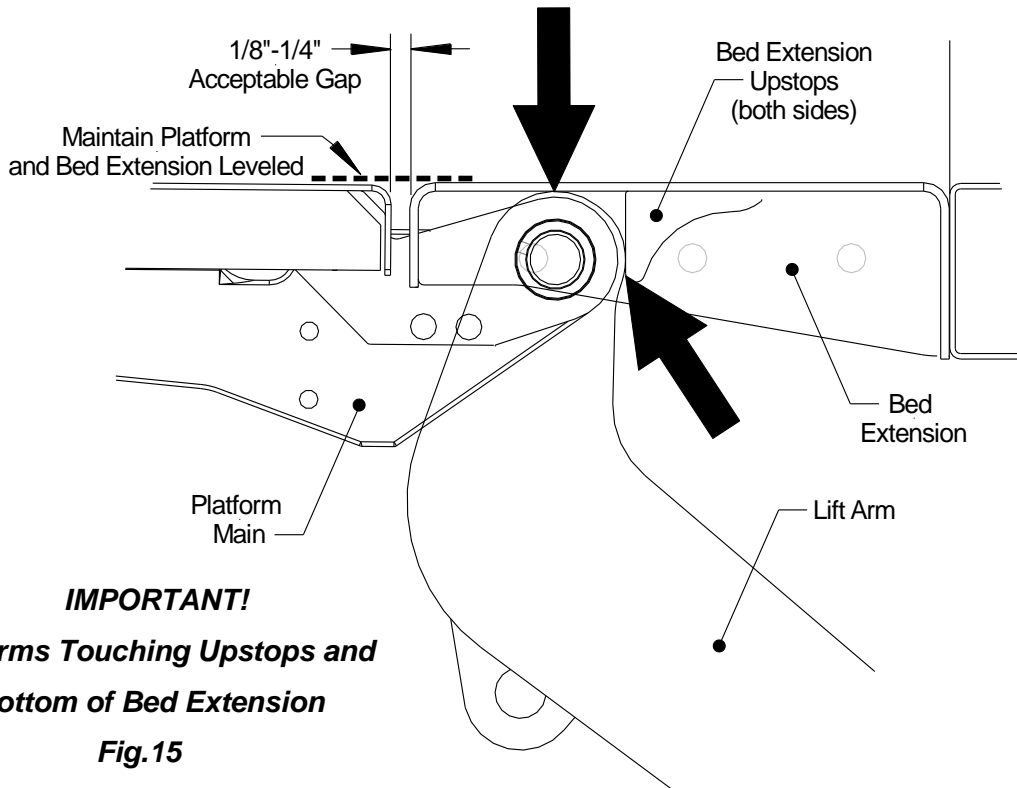


Fig.14



- 1a. Maneuver the liftgate under the vehicle and position both liftarms flush to both the bed extension upstops and the underside of the bed extension. Measure the gap between the bed extension and platform to confirm the gap is within the acceptable range, **Fig.15**.



- 1b. Clamp Platform: Clamp 3" channels over the bed extension and platform on the street side and curbs side of the bed extension so the relationship between the bed extension and platform is locked and maintained throughout the installation procedure, **Fig.16**.

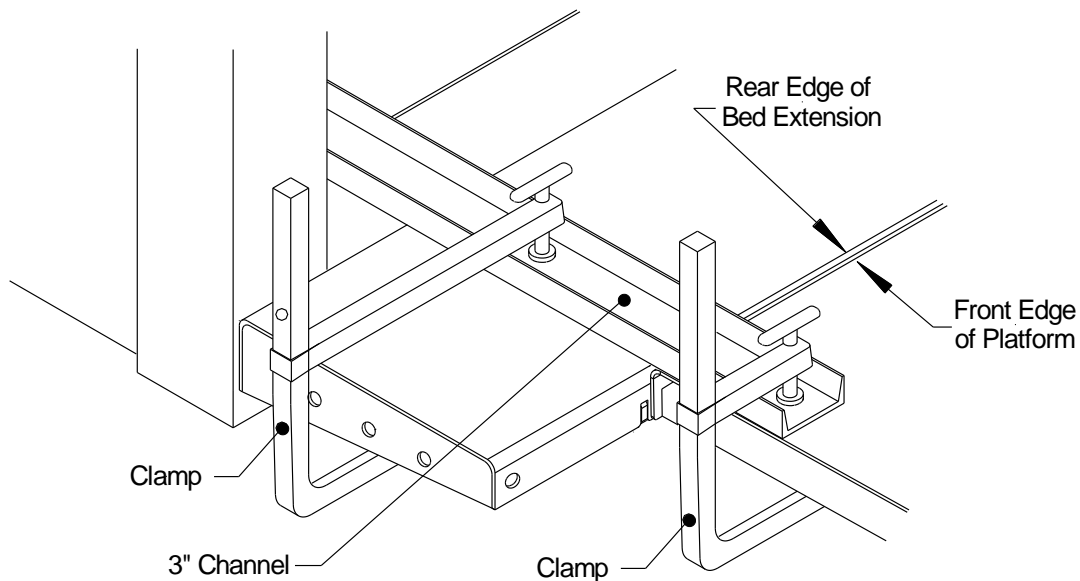
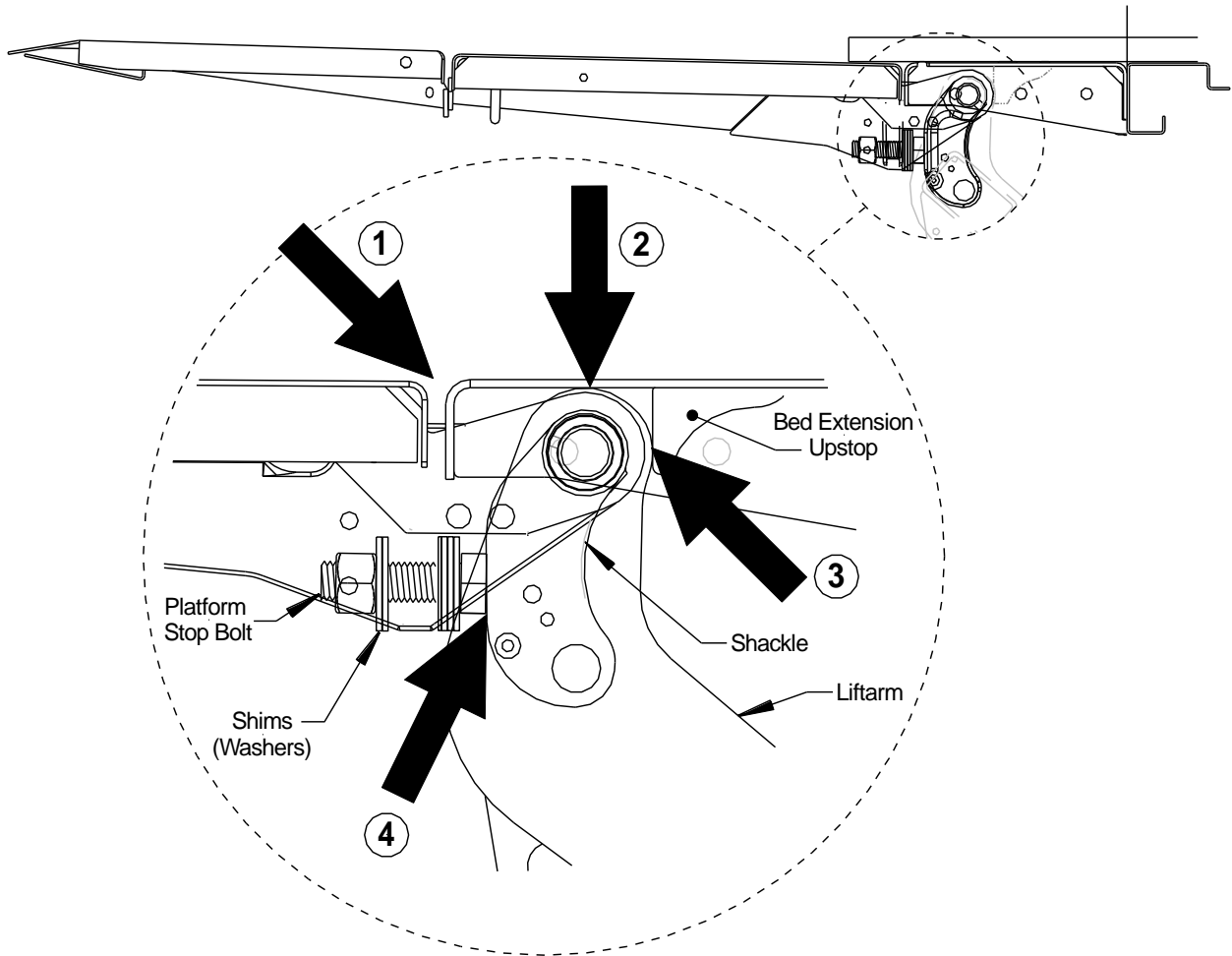


Fig.16

1c. Verification: After clamping platform, verify and confirm the following before proceeding: **Fig.17**.

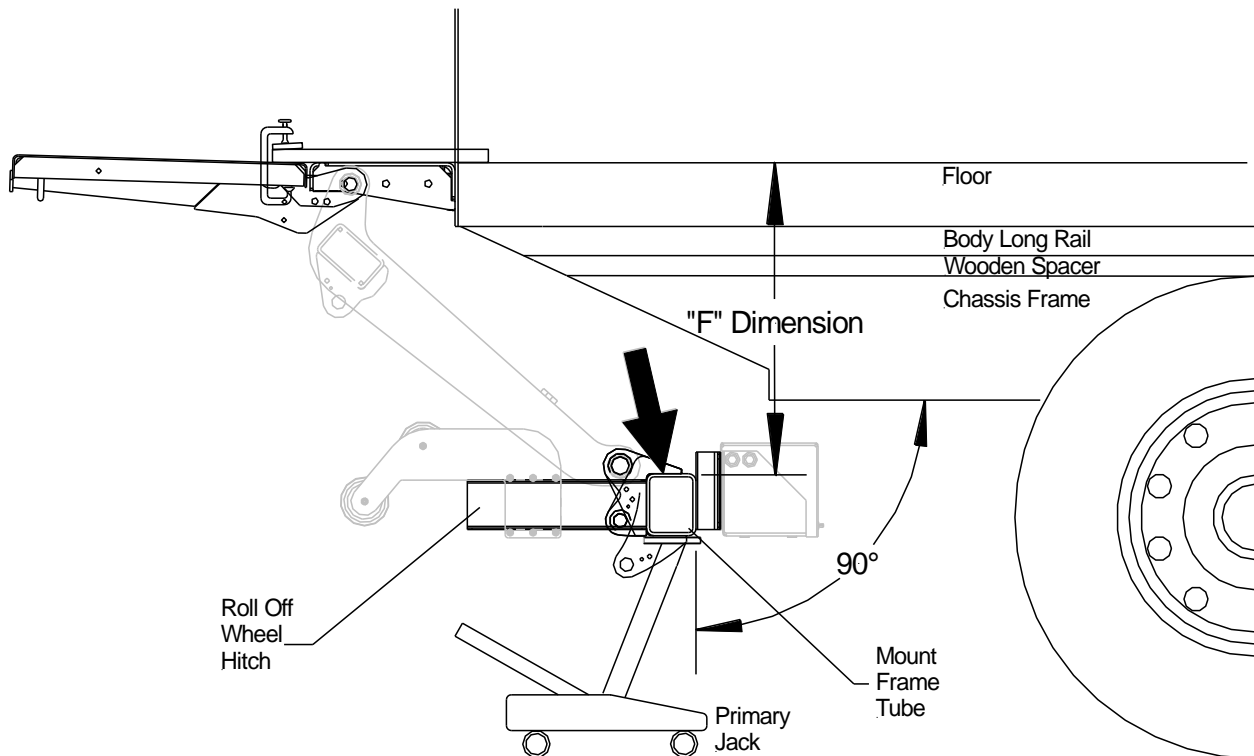
- ① Bed extension and Platform are even.
- ② Both liftarms are flush with bottom of bed extension.
- ③ Both liftarms are flush with bed extension upstops.
- ④ Both shackles are flush with platform stop bolts.



IMPORTANT!
Bolt Head Touching Shackle

Fig.17

2. **Set "F" Dimension:** "F" Dimension should be determined from Sections 8 and 9 of this manual. Use a floor jack or equivalent to set the mount frame to the required "F" dimension, **Fig.18**. Use a second jack to level out roll off wheel hitch, if necessary, **Fig.19**. Check for squareness vertically and horizontally. 12V power supply may be required to release pressure on lift cylinder valve(s), if power is required continue to the Electrical Installation in Section 13.



Set F-Dimension

Fig.18

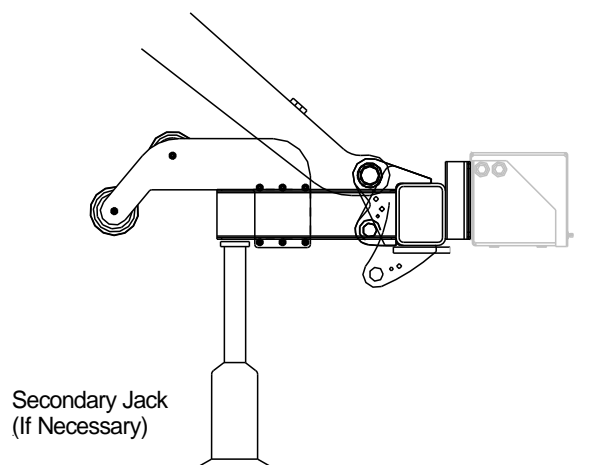
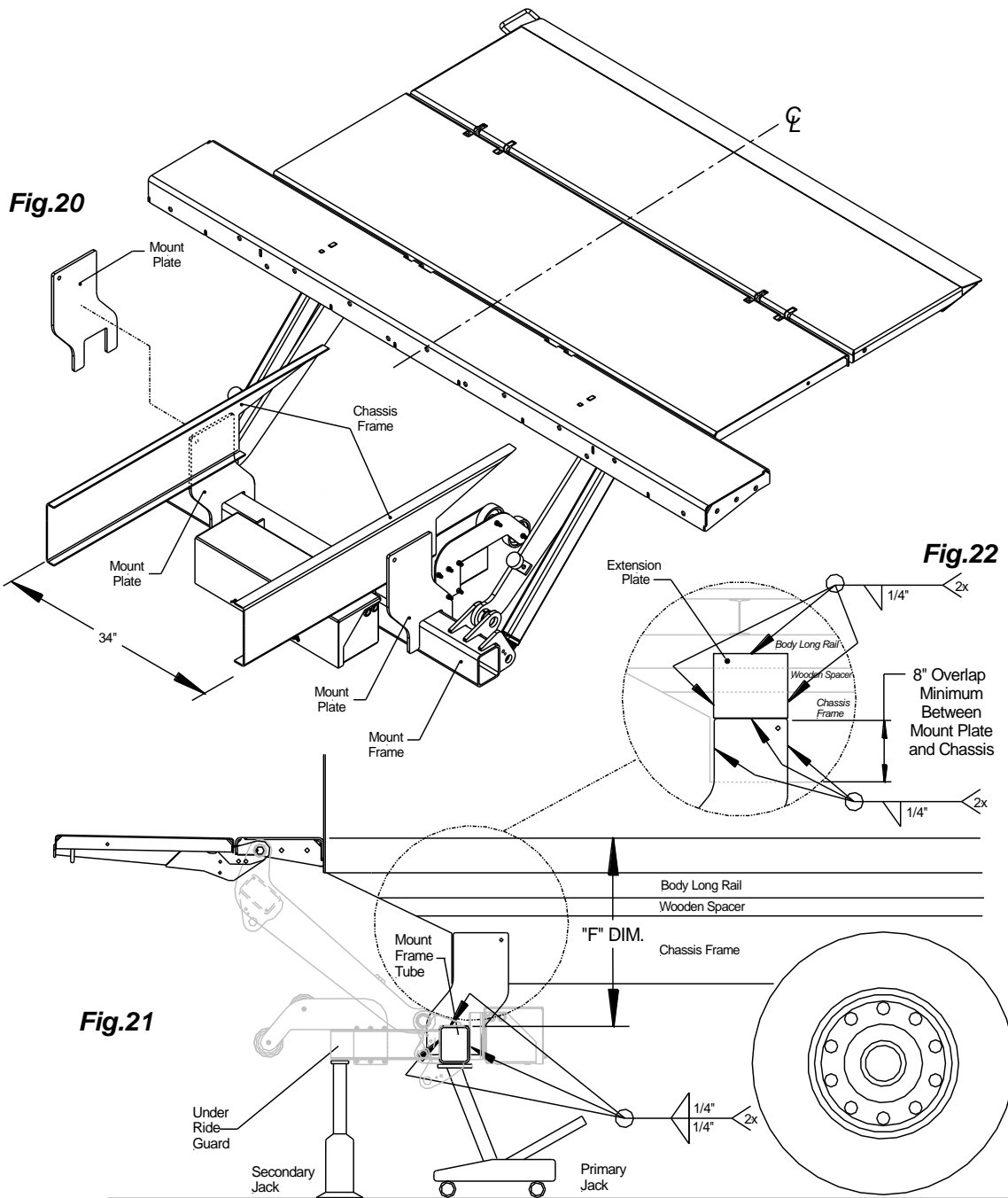


Fig.19

- Weld on Mount Plates (Tack):** Make sure the mount plate is squared to the mount frame vertically and horizontally. Install the mount plate against the chassis frame and position on the mount frame, in the shown orientation, **Fig.20**. Tack weld using three fillet welds 2" long on each side and on top of the mount plate. Remove the forklift, clamps, and/or hoisting mechanism.

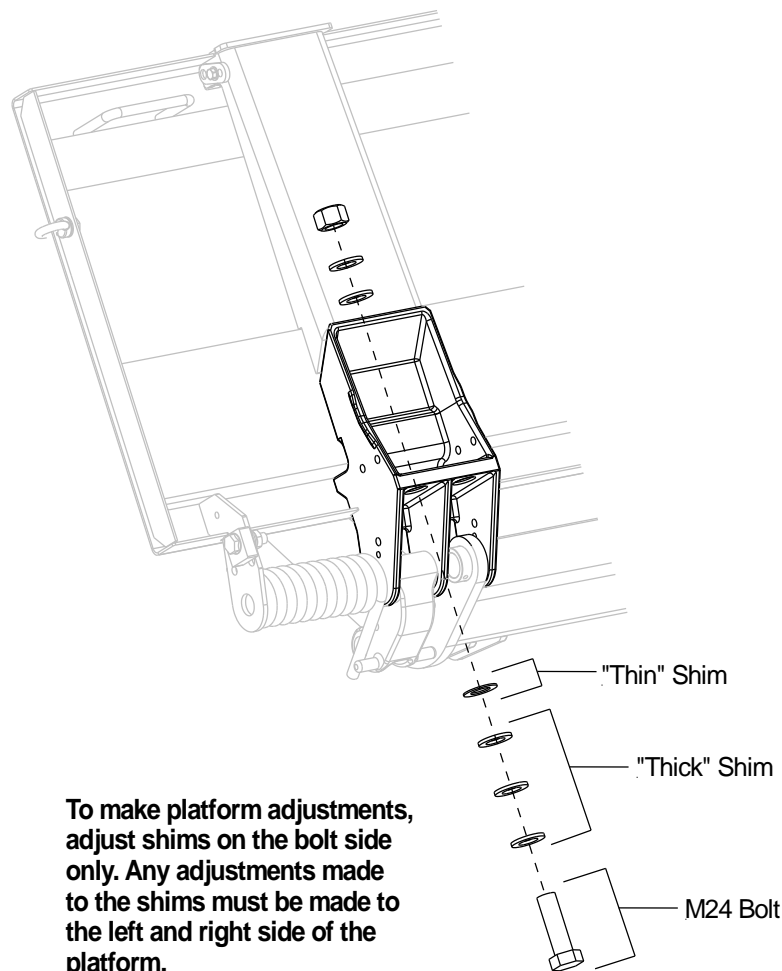
Weld on Mount Plates (Verify): Verify the following: One, F dimension has not changed. Two, bed extension and platform are still squared prior to tack welding the mount plates, **Fig.21**. Three, cycle the liftgate, make sure it is operating as intended. **Do not power gate hard against bed extension while gate is only tack welded in position.**

Weld on Mount Plates (Finalize): After verification continue to 100% welding of the mount plate to the vehicle frame and mount frame. Connect the body long rail to the mount plate by adding an extension plate, **Fig.22**.



4. **Platform Adjustments (if necessary):** Adjustments of the liftgate are not required when the installation procedure has been followed per this manual. In some cases, platform adjustments could be required as not every vehicle is identical and installation variables differ from install to install.

The platform is equipped with a combination of “shims” (washers) installed on the stop bolts. Removing a “thin” shim will adjust the platform pitch by approximately $5/8$ ”, and removing a “thick” shim will adjust the pitch by approximately $1-1/4$ ”. Making these adjustments will assist in making up for the different installation variables.



12.2 Adjusting the Platform

CAUTION

Platform is heavy, use caution while handling.

Adjustment of the torsion cam applied to all platforms (steel, aluminum, or steel/alum).

Steps:

1. Torsion Cam Installation: To change the amount of platform spring assist, position the gate as shown below with the platform resting on the platform roll-off wheels and shackles contact the ground, **Fig.23**. The adjustment cam is installed with no tension when shipped, **Fig.24**. Verify that the platform has a curb and driver side cam.

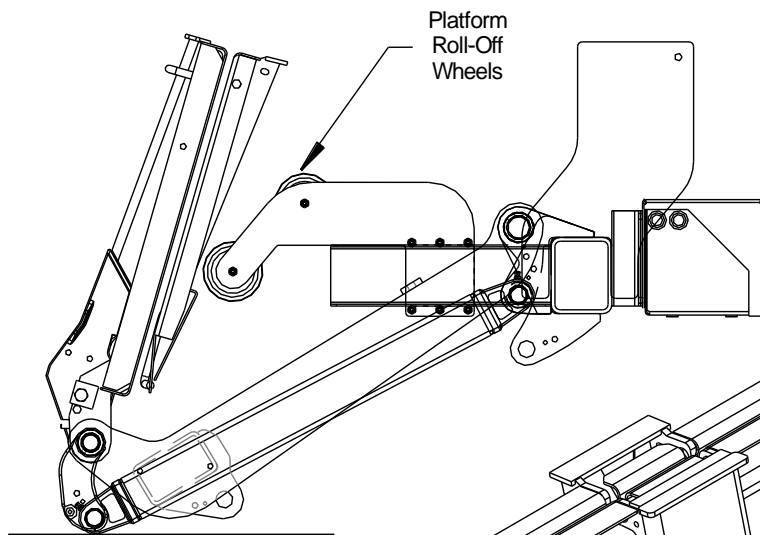


Fig.23

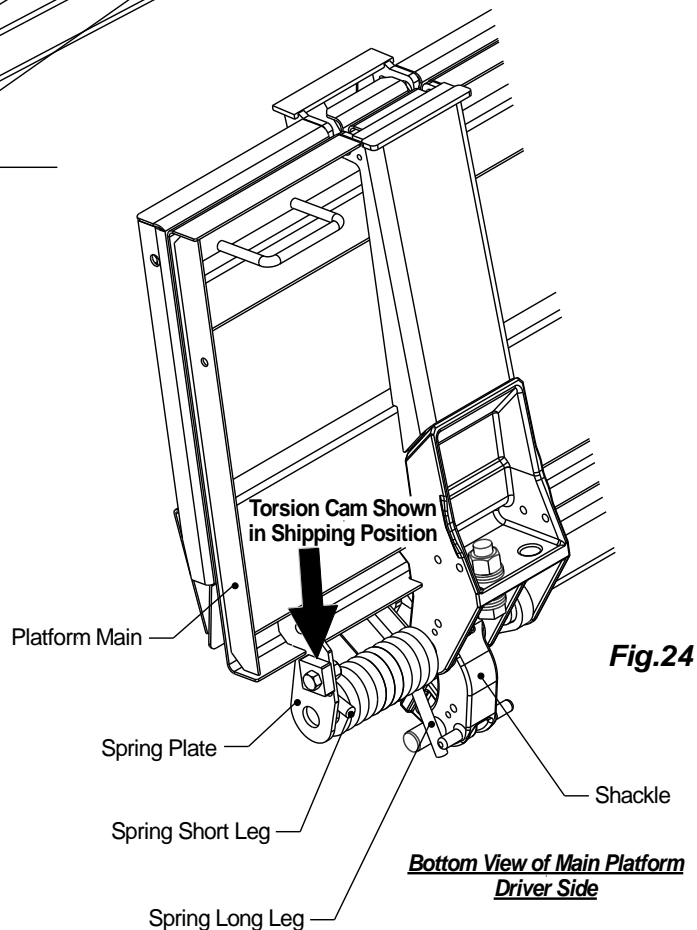


Fig.24

To add tension to the torsion spring, remove the adjustment cam from its shipping position, **Fig.25**. Next, install the cam on the inside part of the plate on the engaged position hole. The short leg of the spring should be in contact with the cam, **Fig.26**. Secure the cam with the bolt and nut. Torque the bolts to 100 ft-lbs, **Fig.27**. Repeat the process for the curb side cam. Make sure the driver side and curb side cams are installed in the same tension setting.

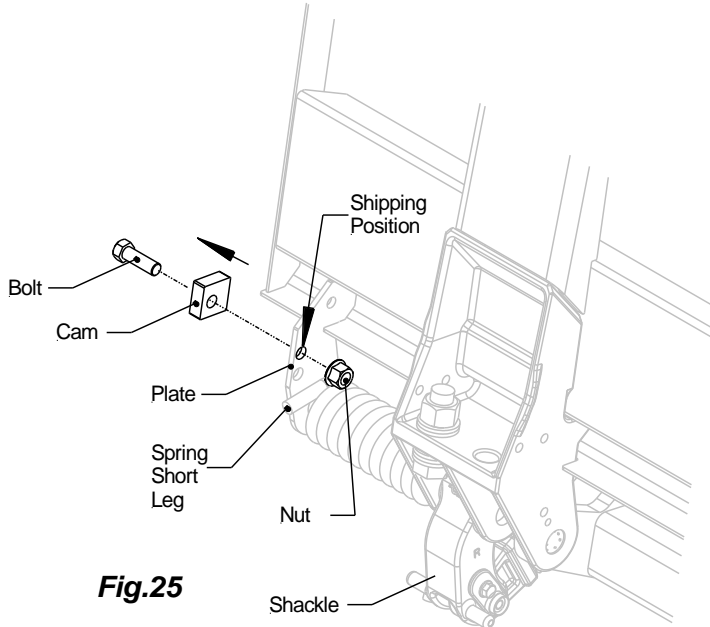


Fig.25

Removing Cam from Shipping Position

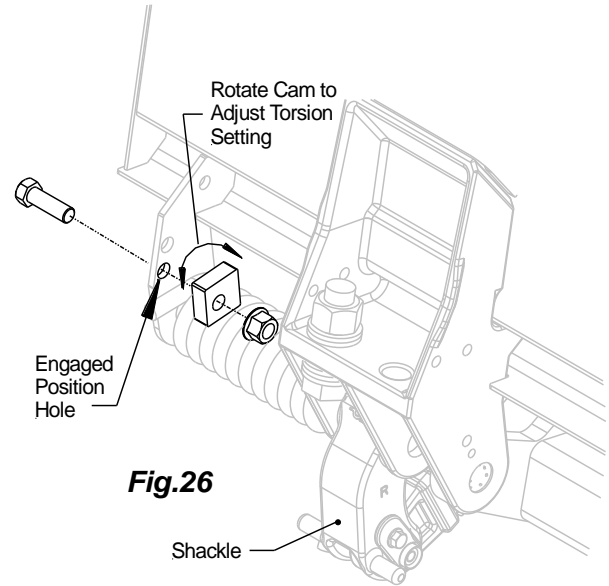


Fig.26

Cam Adjustment Inside of Plate

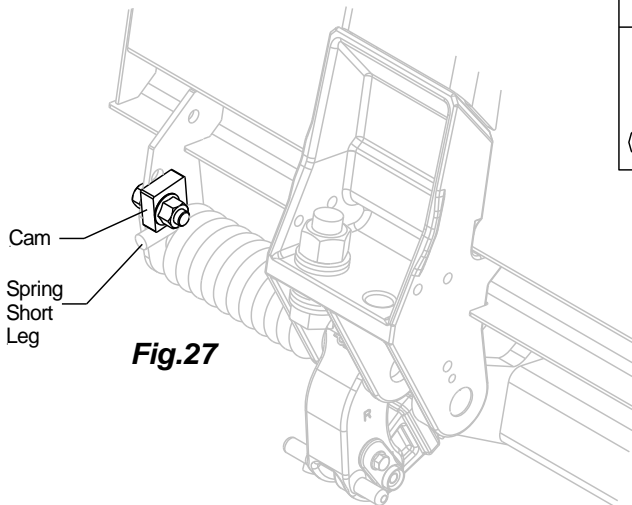
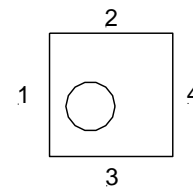
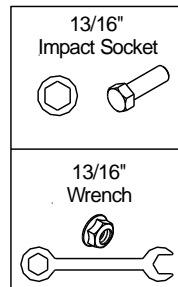


Fig.27



4 different torsion settings are possible after adjusting the cam.

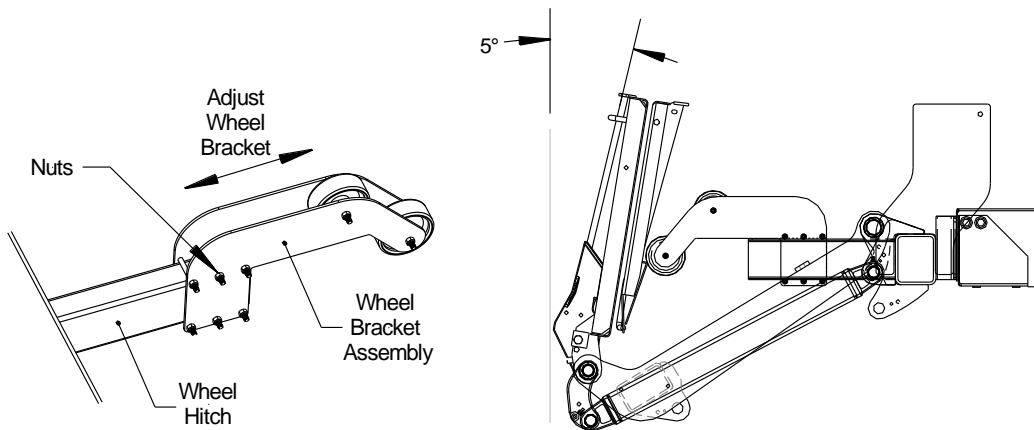
Tension Settings:
 1 = Low Tension
 4 = High Tension

Torsion Settings for Aluminum and Steel Platforms:

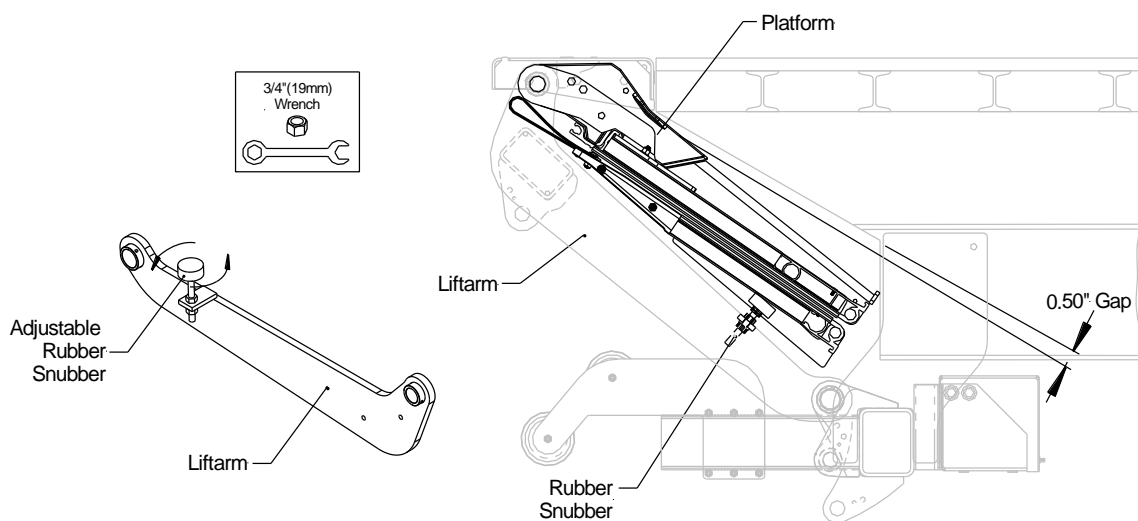
Aluminum: Setting 2

Steel: Setting 4

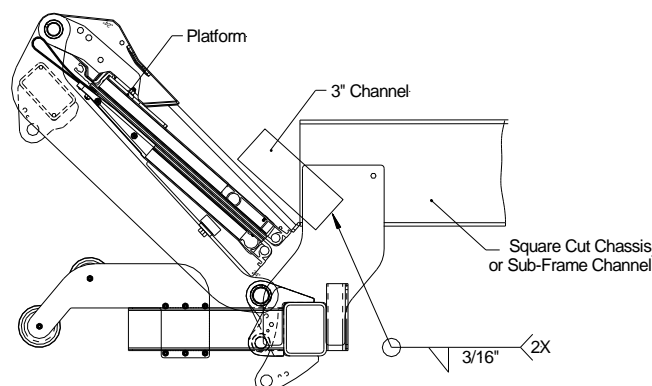
2. **Adjust Sliding Wheel:** Loosen the nuts on the wheel bracket assembly. Adjust the wheel in or out along the wheel hitch until the platform is 5° inward. Once the wheel assembly is in set position, secure the wheels by torquing the six bolts to 16-20 ft/lbs. Note: Low vehicle bed heights will require more than 5°.



3. **Adjustable Rubber Snubbers:** Adjust (2) rubber snubbers up to force the platform up against frame caps to hold platform from bouncing while vehicle is moving. Make sure there is a 1/2" gap between the frame cutout and the platform. Also make sure the rubber snubbers are adjusted so the gate does not rub on other components during the opening and closing sequences.

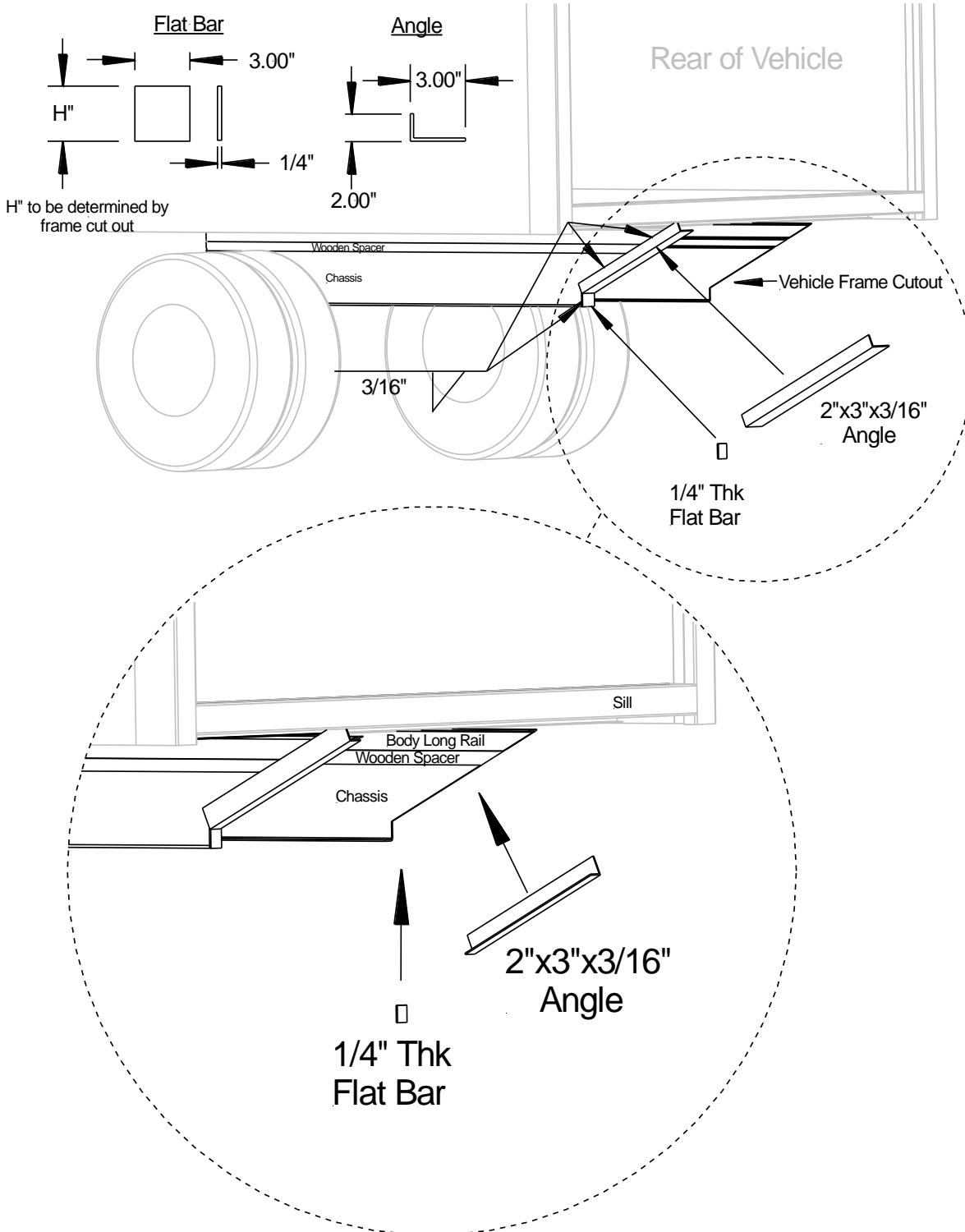


Use a 3" channel (each side) as a platform store stop where frame caps cannot be installed. Weld the channel on the inside part of the chassis/sub-frame



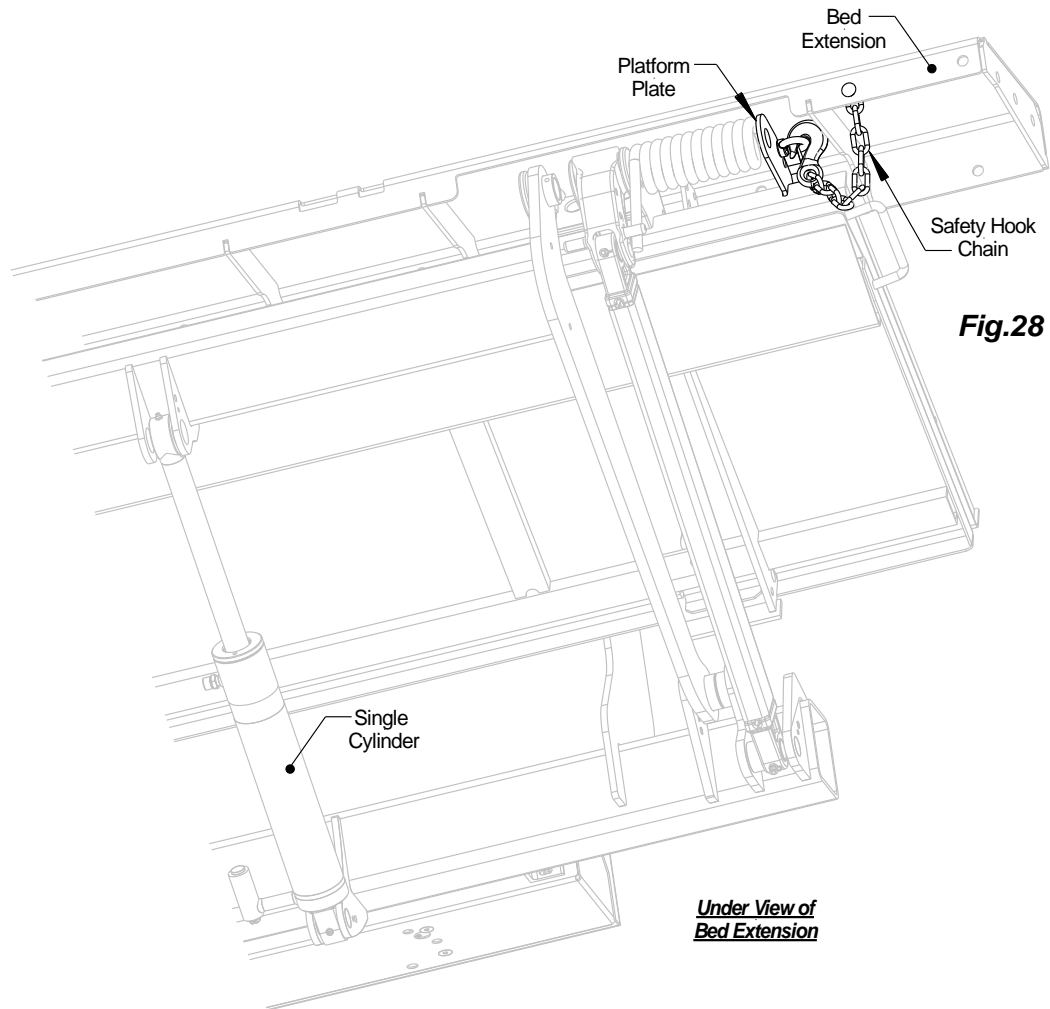
4. **Frame Cap:** Cap both frame cut outs with two pieces of 1/4" flat bar and two 2"x3"x3/16" angles. Install the 2" side of the angle on the outside of the frame. Weld components to the chassis and the body long rail. Flatbar may not be required if the frame cut out does not have a step.

Note: INTERLIFT Liftgates does not supply cap materials. All material must be supplied by end users.



12.3 Final Steps of Installation

1. **Battery Connect:** Connect battery cable to batteries or aux batteries to power the liftgate. Refer to Electrical Installation on Section 13.
2. **Cycle Gate:** Cycle gate several times to assure proper alignment.
3. **Weld Gate:** Complete welding of gate. Weld all contact areas 100% with ¼" fillet welds.
4. **Safety Chain:** **Only applies to the single cylinder PLR models.** The bed extension is equipped with a hook and chain to safely secure the platform. When the platform is in stored position, secure the hook to the platforms plate on the platforms main section, as shown in **Fig. 28**.



12.4 Sub-frame Installation (Optional)

Trailer installations require a sub-frame to be installed prior to installing the liftgate.

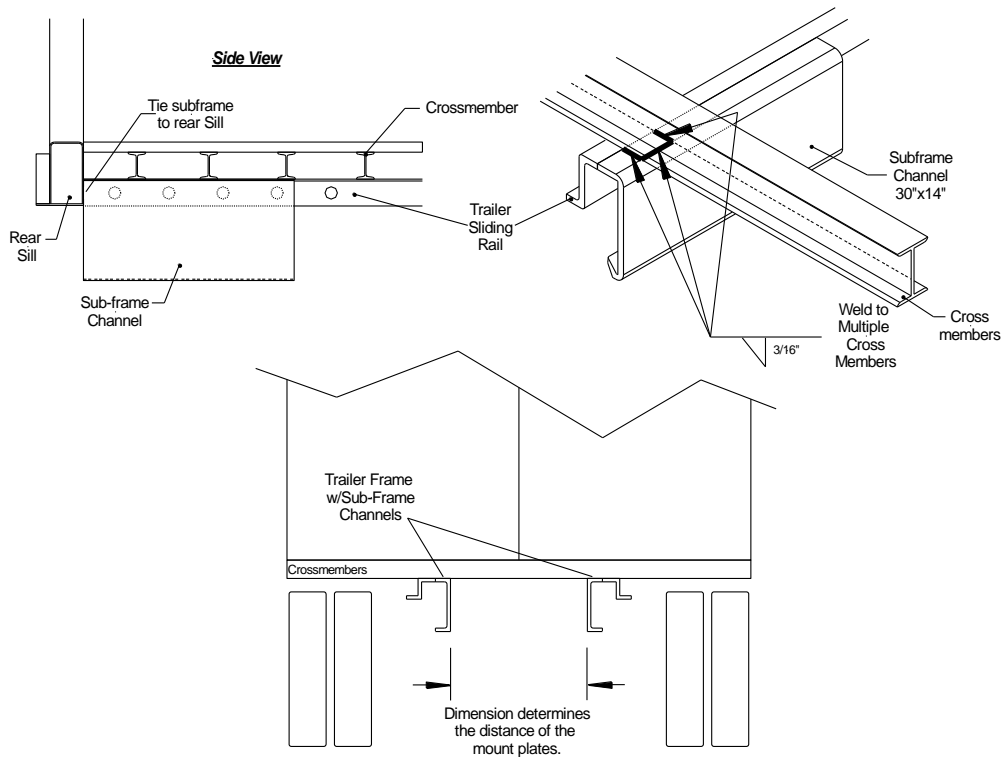


WARNING

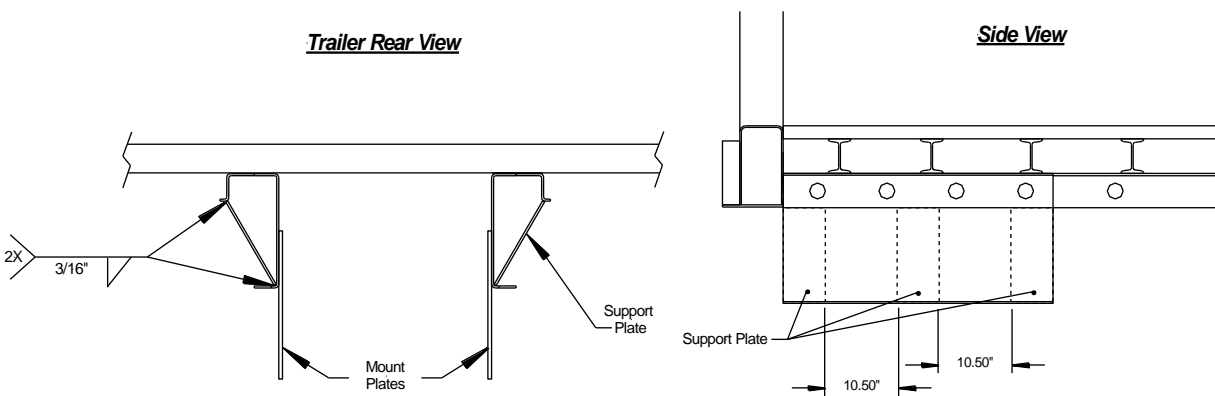
Never work under platform without safety supports

Steps:

1. Sub-Frame: Position the sub-frame channels up against the trailers cross members in the orientation shown below. Weld the sub-frame channel to multiple cross members. Use 3/16" welds to secure the sub-frame to a minimum of four cross members.

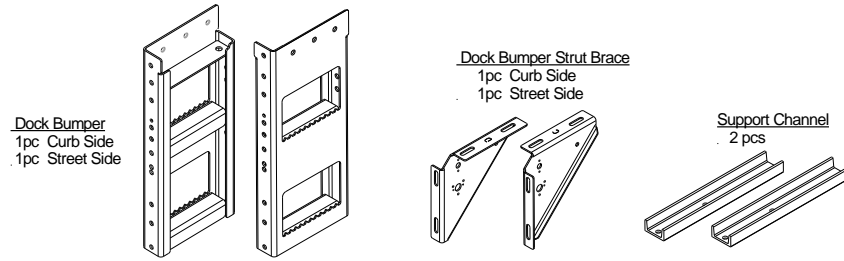


2. Support Plates: Install three support plates per sub-frame channel as shown and secure the plates with 3/16" welds.



3. After installing the sub-frame, follow the installation procedure in Section 12 to complete the liftgate installation.

12.5 Dock Bumper Installation - Weld-On (Optional)



1. Dock Bumpers: Clamp dock bumpers to the bed extension as shown, **Fig.29**. Check for squareness. Tack weld the dock bumper. Repeat process for driver side.

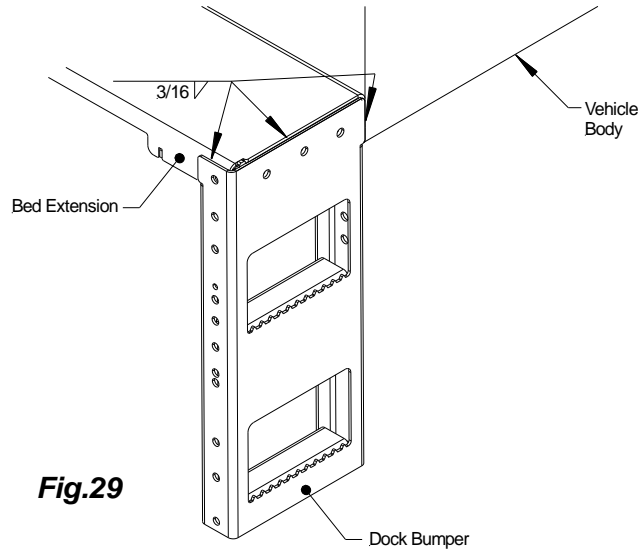


Fig.29

2. Dock Bumper Supports: Each strut brace has a marking for easy identification, the curb side strut has a "C" marking and the drive side strut has a "D", **Fig.30**. Position the support channels perpendicular to a minimum of three of the vehicles cross members, move the channel horizontally for adjustment, **Fig.31**. Use clamps or similar devices to hold the support channels in place. Next position the strut against the dock bumper and support channel, clamp in place. Check for squareness. Finally, secure all components with 3/16" welds.

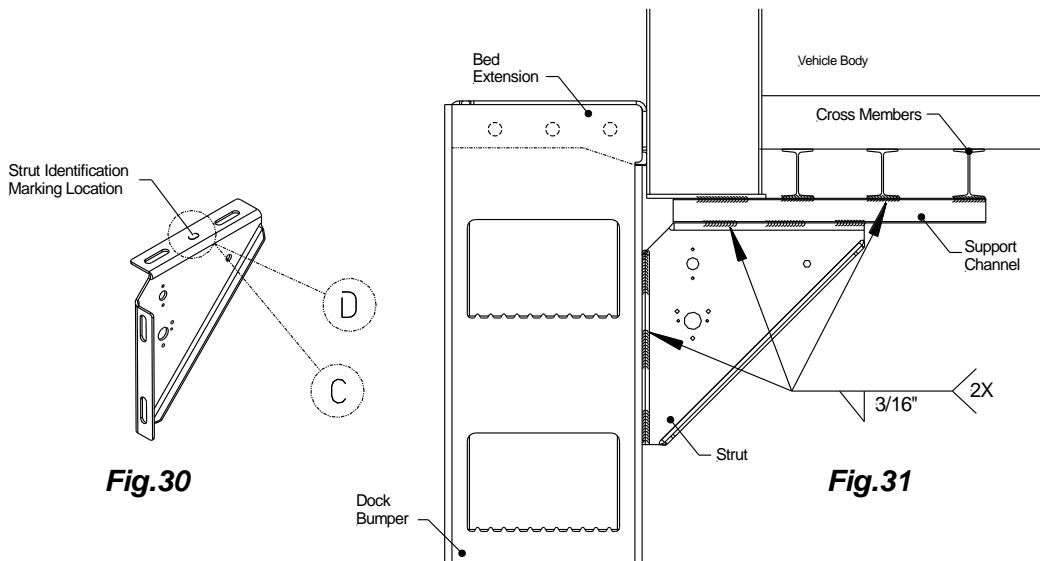
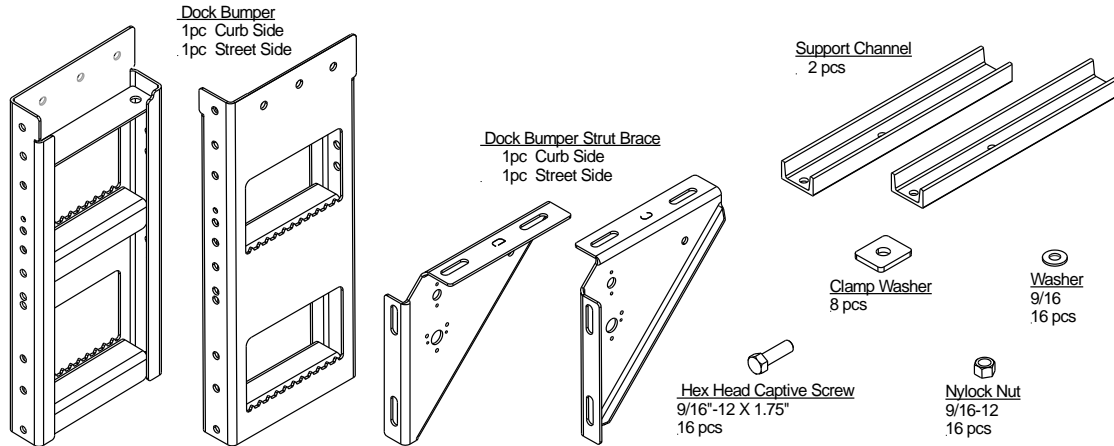


Fig.30

Fig.31

12.6 Dock Bumper Installation - Bolt On (Optional)



Steps:

1. **Dock Bumpers:** Use four (4) bolts and four (4) nuts to mount the dock bumper to the bed extension, **Fig.32**. Torque nuts to 125 ft. /lbs. minimum. Make sure the dock bumper is properly squared. **Recommendation: It is highly recommended to lubricate all bolts and nuts prior to installation.**

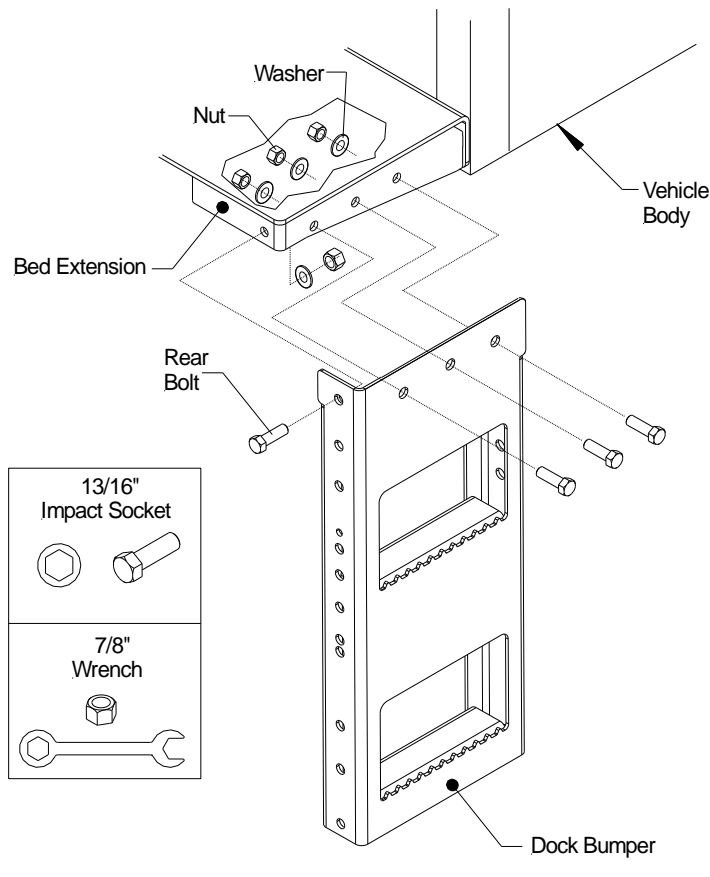
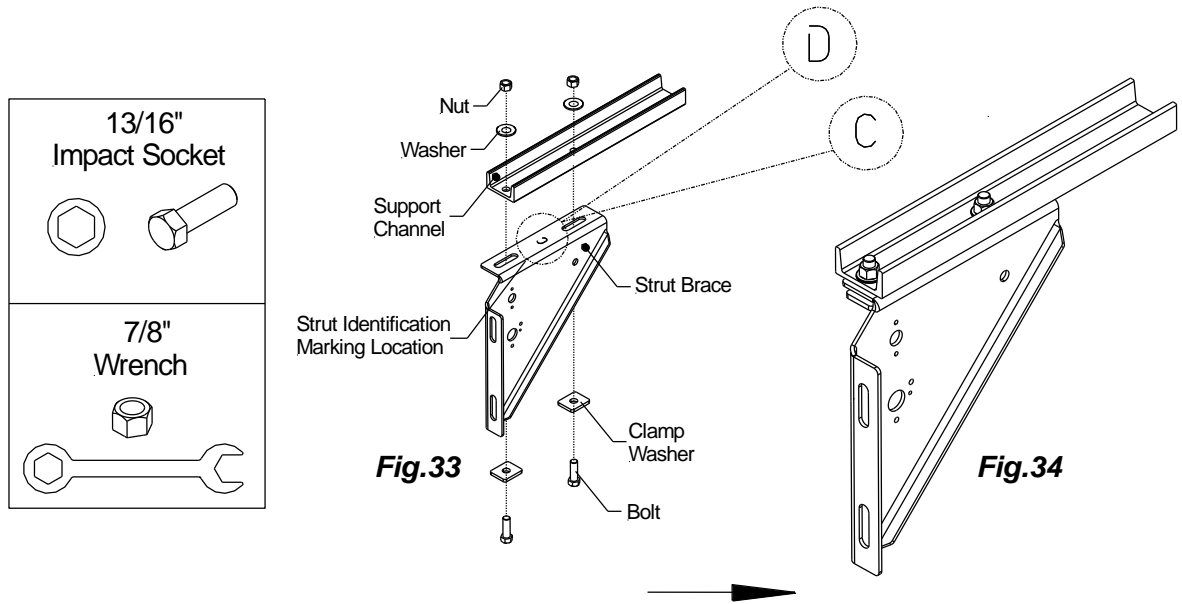
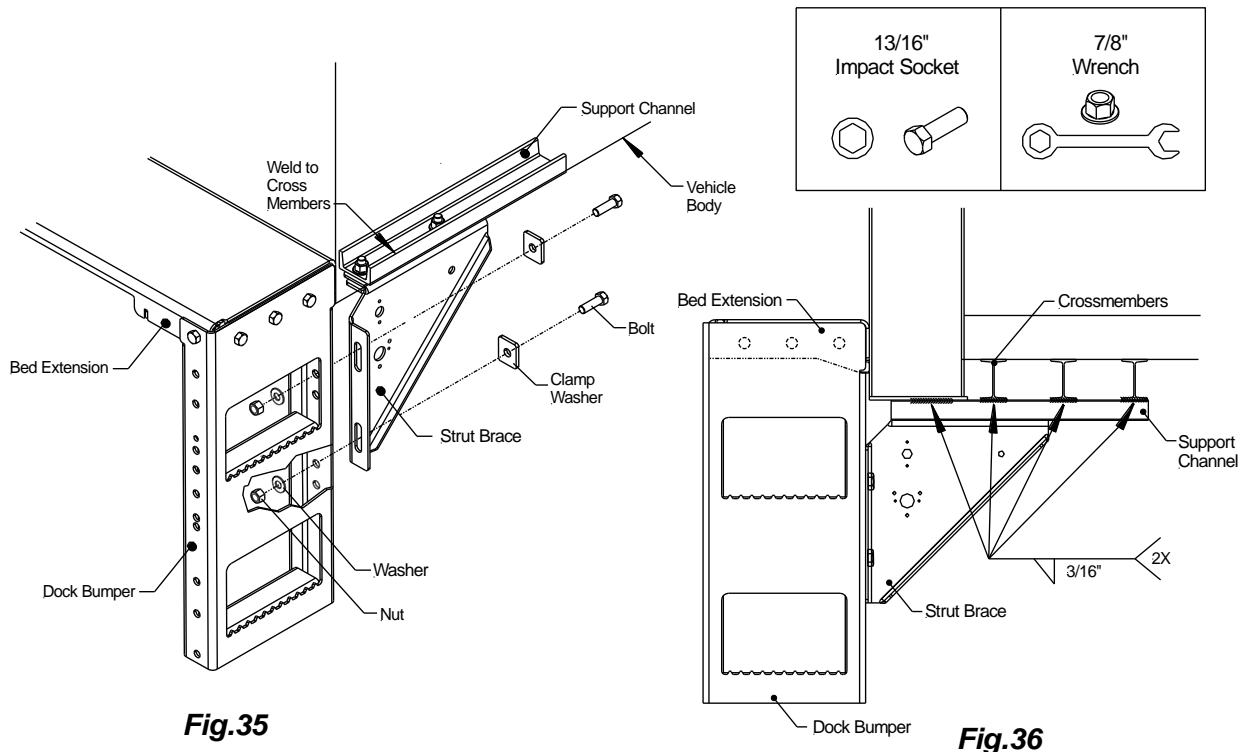


Fig.32

2. **Dock Bumper Support:** Each strut brace has a marking for easy identification, the curb side strut has a "C" and the drive side strut has a "D", **Fig.33**. Join the support channel to the strut using a set of bolts, clamp washers and flange nuts, **Fig.34**. Do not tighten nuts completely as adjustment to the support channel could be required.



3. **Bolt Assembly:** Secure the strut support to the dock bumper with a set of bolts, clamp washers, and flange nuts, **Fig.35**. Adjust the strut brace by moving it vertically along the dock bumper and also the support channel, horizontally, along the vehicles cross members for best positioning. Check for squareness. After tightening all bolts in place, weld the support channel to the bottom of the vehicles cross members. A minimum of three cross members should be welded to the support channel, **Fig.36**. Torque nuts to 125 ft. /lbs. minimum.



13 Electrical Installation

WARNING

Any deviation from INTERLIFT Liftgates's recommended power setup **will void warranty and product liability** unless you have a written confirmation by INTERLIFT Liftgates that allows you to do specific changes.

NOTICE

- Never exceed rating of existing fuses located at the battery, control board and/or the pump and motor which may result in serious damage to the equipment.
- Never jump the 150 Amp circuit breaker at the batteries unless otherwise instructed by the INTERLIFT Liftgates technical support group.
- Assure all connections are tight and securely sealed.
- Heat shrink all cable connection.
- Never secure a cable in a way where it can make contact with other wiring, brake, fuel, or air lines etc. or get pinched against other objects.
- 2 gauge cable, minimum, is required throughout the motor circuit.
- When working on the electrical installation, remove any jewelry, tools, or components that are conductive to prevent any damage or injuries.
- Insure that all wiring is secured and away from heat sources, sharp corners/edges, and abrasion from moving components during the operation of the liftgate and vehicle.

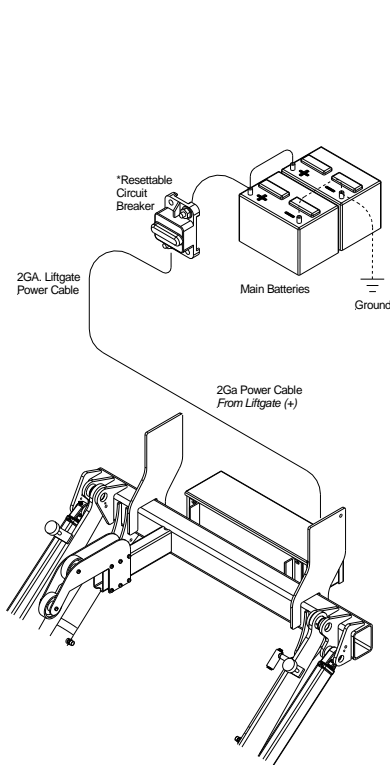
13.1 Wiring Diagram – Battery Setup

*Resettable Circuit Breaker: 150 Amp Min. **Replace with same amperage breaker when necessary.**

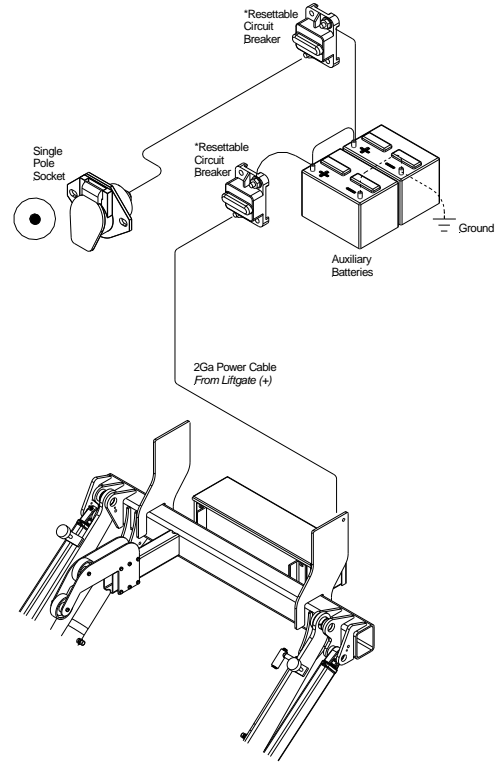
Ground: For optimal grounding, ground all batteries and power units to the body side rails of the vehicle.

NOTICE: DO NOT attempt to jump in-line fuses with other objects other than the specified fuse.

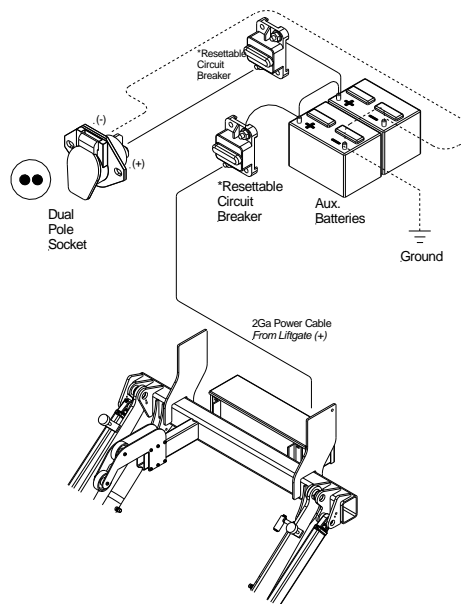
Do not increase the amperage rating of fuse. Serious harm to the liftgate will result when standard practices are not followed.



Wiring Diagram – Truck



Wiring Diagram – Single Pole - Trailer



Wiring Diagram – Dual Pole - Trailer

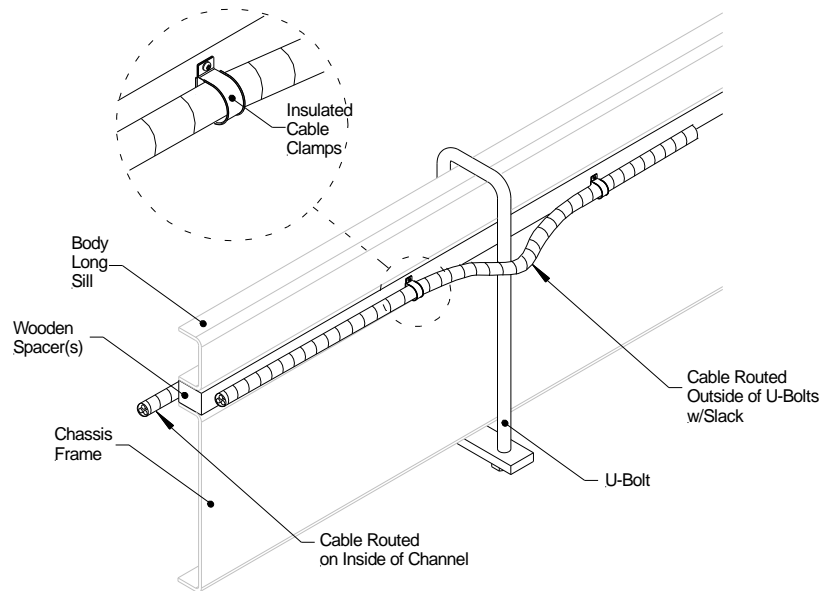
13.2 Cable Routing

1. The use of wire loom is highly recommended to protect and facilitate cable routing. Wire loom not supplied.
2. Route all cables along the wooden spacer and through the outside of the U-bolts or on the inside part of the channel.
3. Secure the wire along the wooded spacer with insulated cable clamps.



WARNING

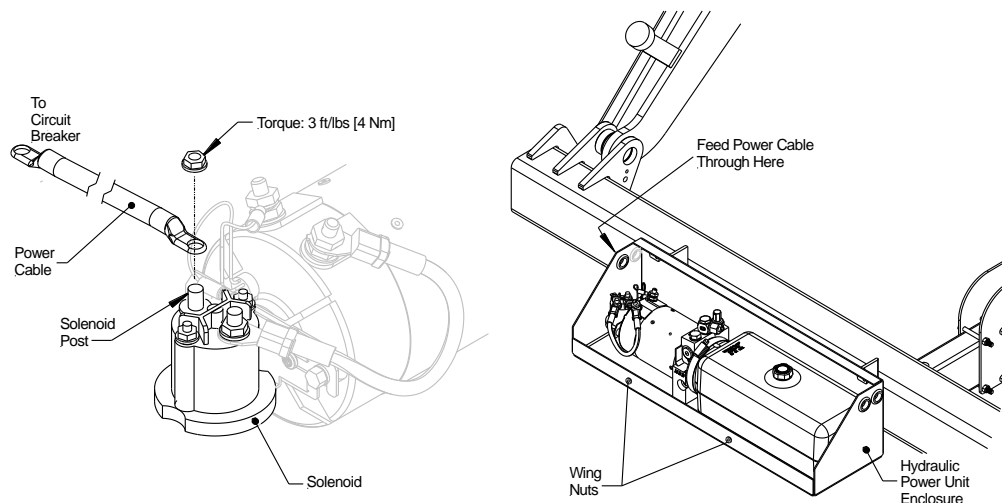
Do not tie electrical cables along with hoses.



13.3 Connecting Power to Liftgate

1. Remove the cover from the Hydraulic Power Unit enclosure by removing the two wing nuts. Insert one end of the power cable through the indicated opening on the hydraulic power unit enclosure. Remove the nut from the solenoid post and attach the power cable to the post. Torque the nut to 3 ft/lbs. Route the other end of the power cable to the circuit breaker by the batteries.

NOTE: Do not disconnect any of the pre-installed wires on the solenoid or motor.

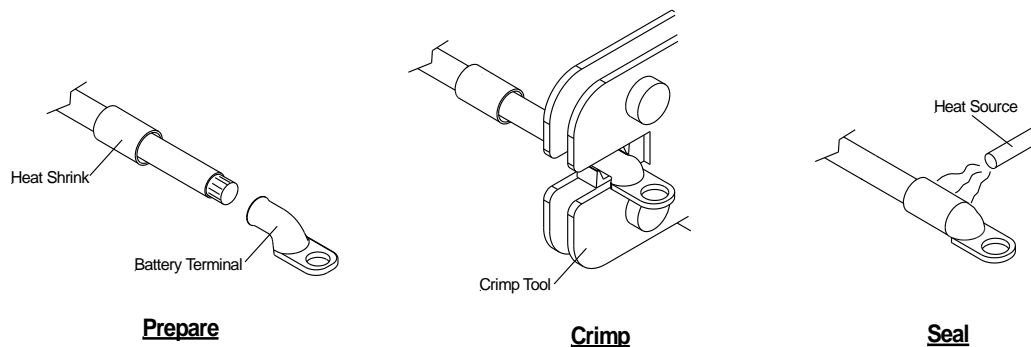


13.4 Wire Crimping

! All grounding surfaces **MUST** be cleaned, prepped, and sealed per this manual. “Cut to size” cables **MUST** be properly crimped and sealed as factory supplied. All connections **MUST** be dressed with dielectric grease or equivalent sealer.

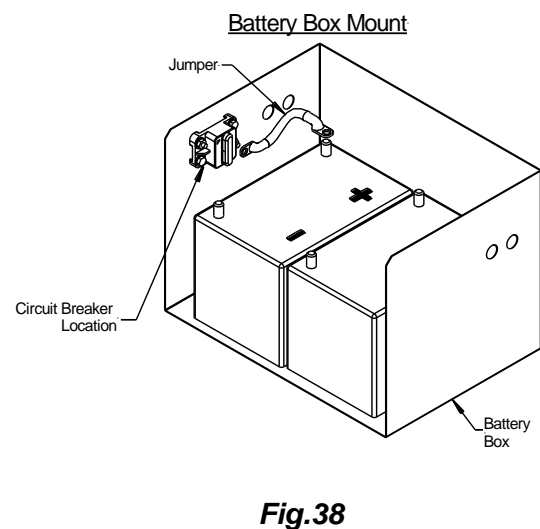
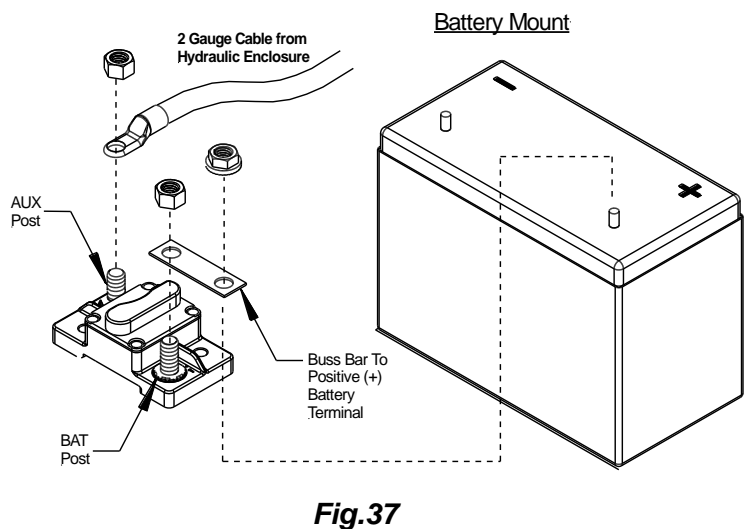
Battery Cable Crimping

1. Prepare the wire to be crimped. Straighten out the exposed copper wire and insert into the battery terminal.
2. Use a crimping tool designed for crimping battery terminals for best results. The use of other tools could possibly damage the battery terminal and make poor connections between the wire and terminals.
3. Slide the provided heat shrink over the battery terminal and cable to seal the connection.



13.5 Circuit Breaker Installation

1. **Battery Mount:** Attach the bus bar to the circuit breaker on the BAT post. Mount the circuit breaker securely on the positive terminal post of battery, **Fig.37**.
2. **Battery Box Mount:** When mounting the circuit breaker in a battery box, connect a 2 gauge jumper from the BAT post on the circuit breaker to the positive post of the battery, **Fig.38**.
3. Connect the liftgates 2 gauge power cable to the AUX post on the circuit breaker.



13.6 Toggle Switch Installation



The Toggle Switch is weatherproof from factory, do no substitute or tamper with the switch.

NOTICE

Determine location for fixed toggle switch on corner post in a way that the operator can view the platform and surrounding areas while operating the liftgate. Place toggle switch in a horizontal position

Steps:

Roll Up Door Vehicles

1. Mounting Hole Pattern: Locate area on rear curb side post of body where switch can be reached by the operator from ground. Position the holes approximately 24" up from vehicles floor. Drill two 5/32" (.156") holes spaced at 1-3/4" vertically, and one 7/8" hole, centered to the two 5/32" holes, for the switch cable harness, **Fig.39**.
2. Wiring: Route cable harness through rear post and down to the hydraulic power unit. Heat shrink or protect all connections. Use cable clamps to keep the cable clear of all moving parts. Reference the wiring diagrams in Sections 13.9-13.10
3. Operation: Verify all operations are functional as intended. Secure the switch to the corner post with the two #10-24 x 1" self-tapping screws.

IMPORTANT: Screws must be hand tighten, do not use power tools to tighten screws.

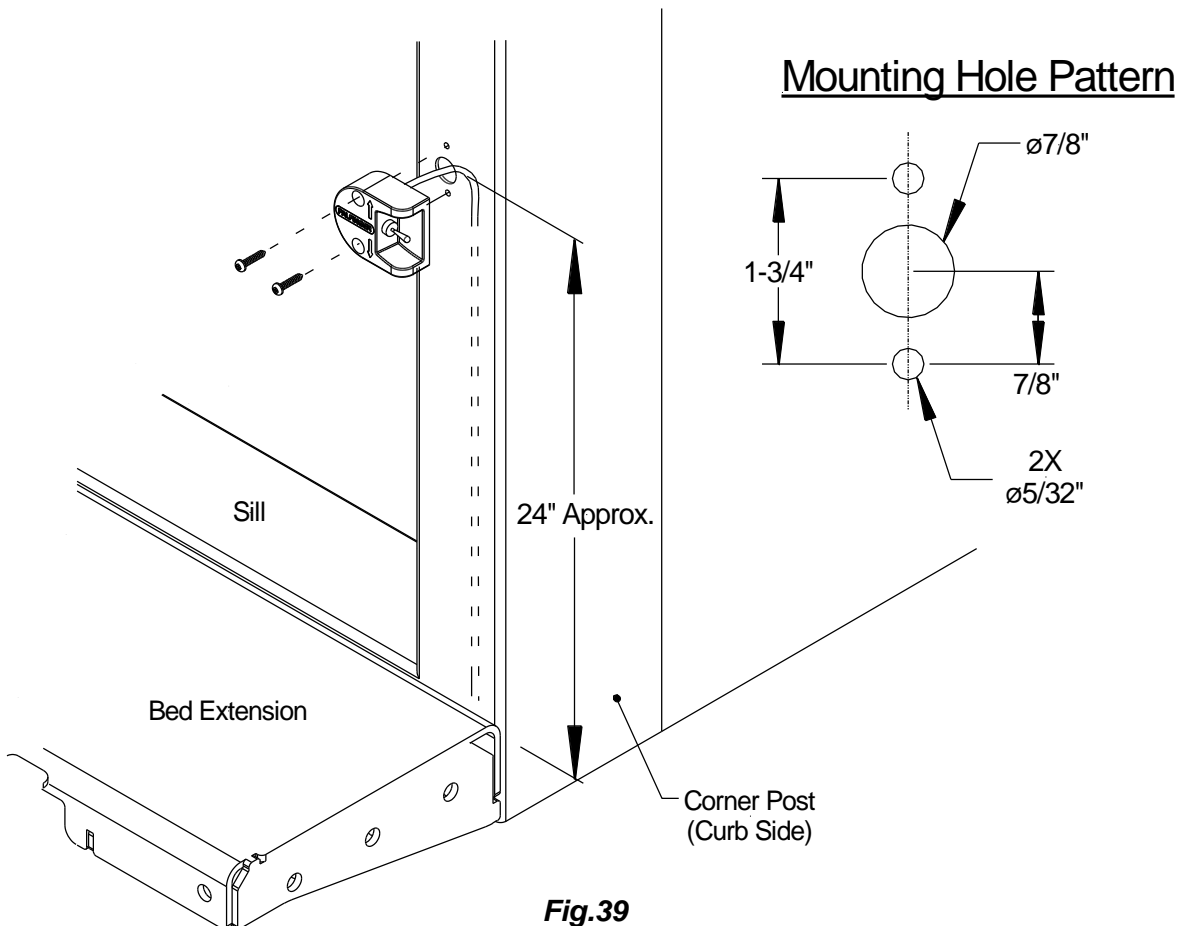
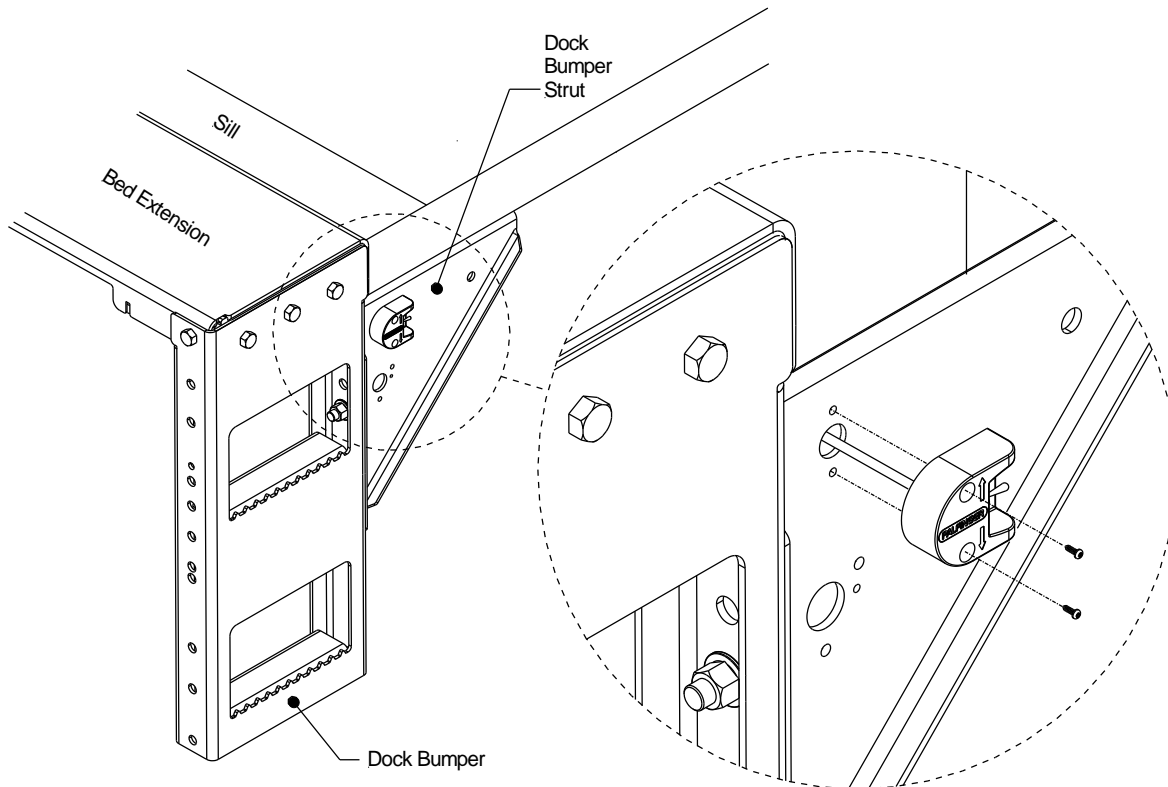


Fig.39

Stake Bed Vehicles

1. **Mount Switch:** Mount toggle switch to dock bumper strut using two #10x1-1/2" self-tapping screws.



2. **Route Wire:** Route the toggle switch harness along the vehicle body down to the pump and motor. To prevent damage to the harness, properly secure the harness and keep cleared from any moving liftgate parts.
3. **Connect wires:** Reference Sections 13.9-13.10 for wiring according to your liftgates specifications.
4. **Check Switch Operation:** Verify that the up and down functions on the toggle switch operate as intended.
5. **Seal Connections:** Heat shrink and seal all connections, if applicable.

13.7 Liftgate Shut-Off Switch

NOTICE

Liftgate Cab ON/OFF Switch **MUST** be installed and in clear view of driver.

1. Mounting Switch:

Truck Application: Install the liftgates shut off switch on the vehicles dashboard in clear view of the driver and within reach from the ground, **Fig.40.**

Trailer Application: Install the shutoff switch on the dock bumper strut, if applicable, or use the faceplate to install the switch on the vehicles body as shown (faceplate requires a 2" hole to be drilled on vehicle body for installation), **Fig.41.**

Decal: Apply the accompanying decal in the surrounding area of the switch.

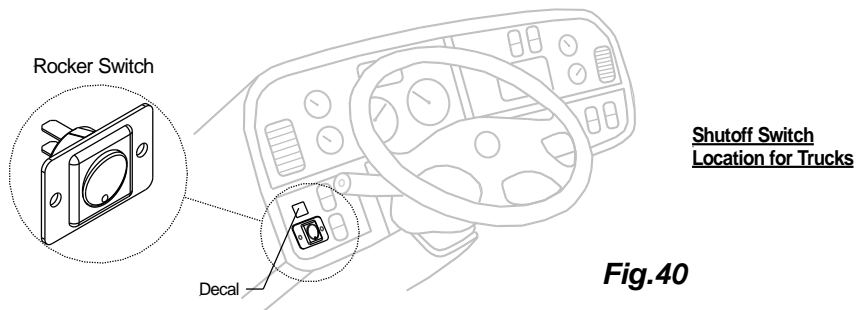


Fig.40

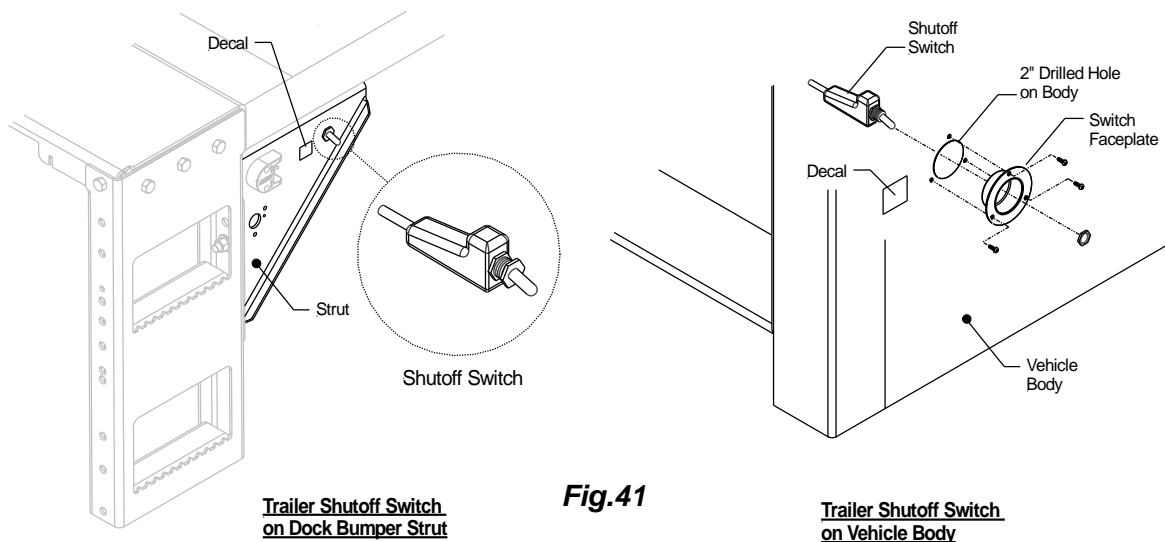


Fig.41

2. Route Wire: Route and secure the control wire cable every 12 inches against the frame with frame clamps or equivalent along the frame to pump & motor box.
3. Check Wire Clearance: Verify wire is clear of all moving parts and securely tied up.
4. Cover Connections: Heat shrink or protect all connections.
5. Wiring: Reference Sections 13.9-13.10 for wiring according to the liftgates specification's.



Rocker switch shall not be installed outside the truck cab.



Inspect and test all electrical connections, wiring and the different functions to make sure that the electrical installation is complete.

Routing Switch Harnesses to Pump and Motor

1. Route each harness to the hydraulic power unit enclosure and secure harnesses with the supplied cable ties. Keep harnesses away from sharp corners and moving parts.
2. Feed the harnesses through the cable entry slots as shown for each component, **Fig.42**.
3. Wire switches accordingly per Wiring Diagrams in Sections 13.9-13.10.

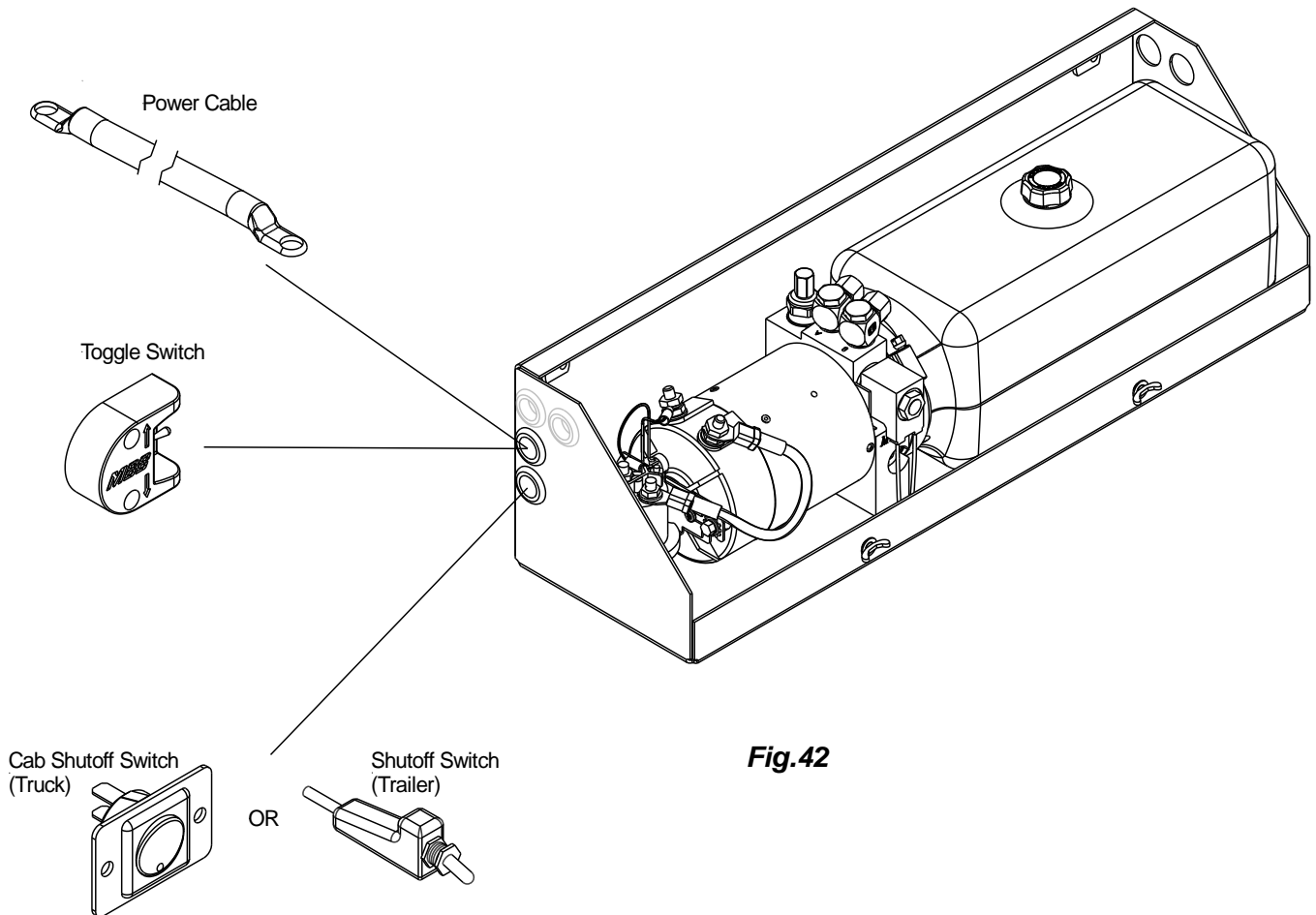
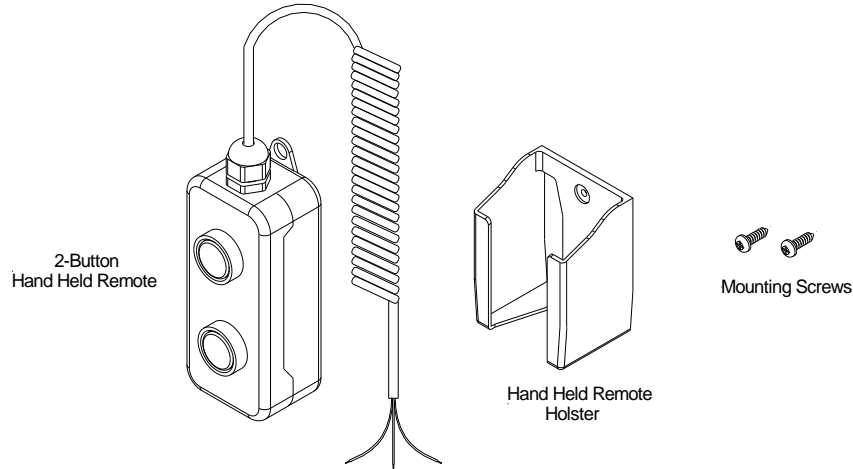


Fig.42

13.8 2-Button Hand Held Remote Control (Optional)



1. Mount the holster approximately 40"- 48" from the floor, or determine the best location as preferred by end user, **Fig.43**.
2. Route the cable from the liftgate up through the inside corner post or between the wall extrusions of the truck. Use the wire clamp to secure the incoming cable, **Fig.44**.
3. Splice the cables from the liftgate to the hand held remote with butt connectors and seal each connection with heat shrink.

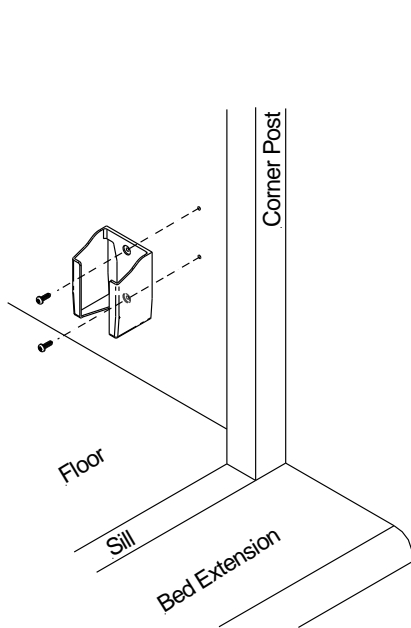


Fig.43

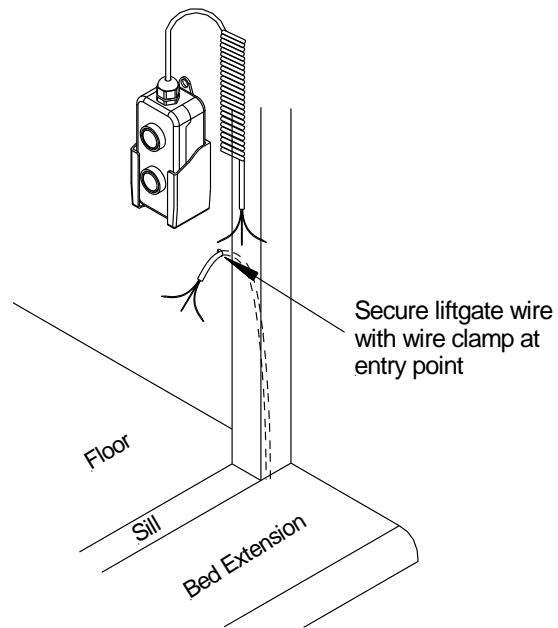
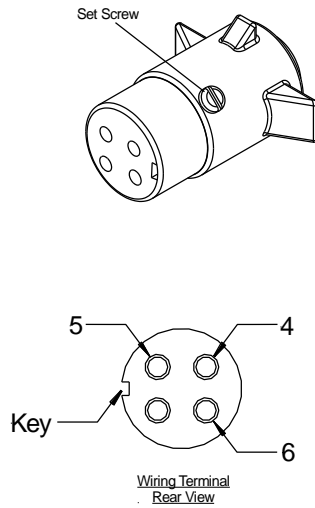


Fig.44

Wiring Table

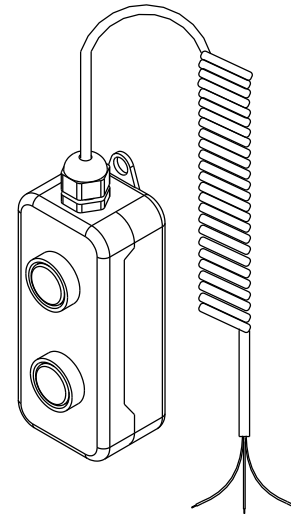
Function	To	Wires From Gate/Number
Up	Solenoid	5 / Red
Down	Release Valve	6 / Yellow
12V (Hot)	ON/OFF Switch	4 / Green

4. Use a plug and socket when the vehicle is a refrigerated body. Remove the set screw to access the wire terminals. **Never store remote inside refrigerated vehicles, control will be damaged.**

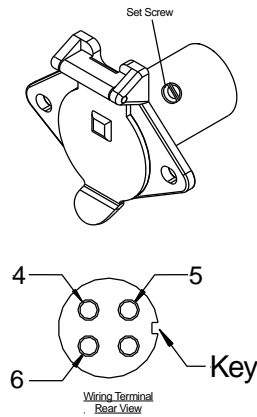


Plug
Plug to Control Wiring Table

Function	Plug	Remote
Up	5	5.2 / Red
Down	6	6.2 / Yellow
12V (Hot)	4	4.3 / Green

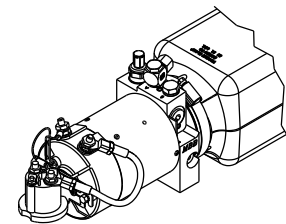


Hand Held Remote



Socket
Socket to Pump/Motor

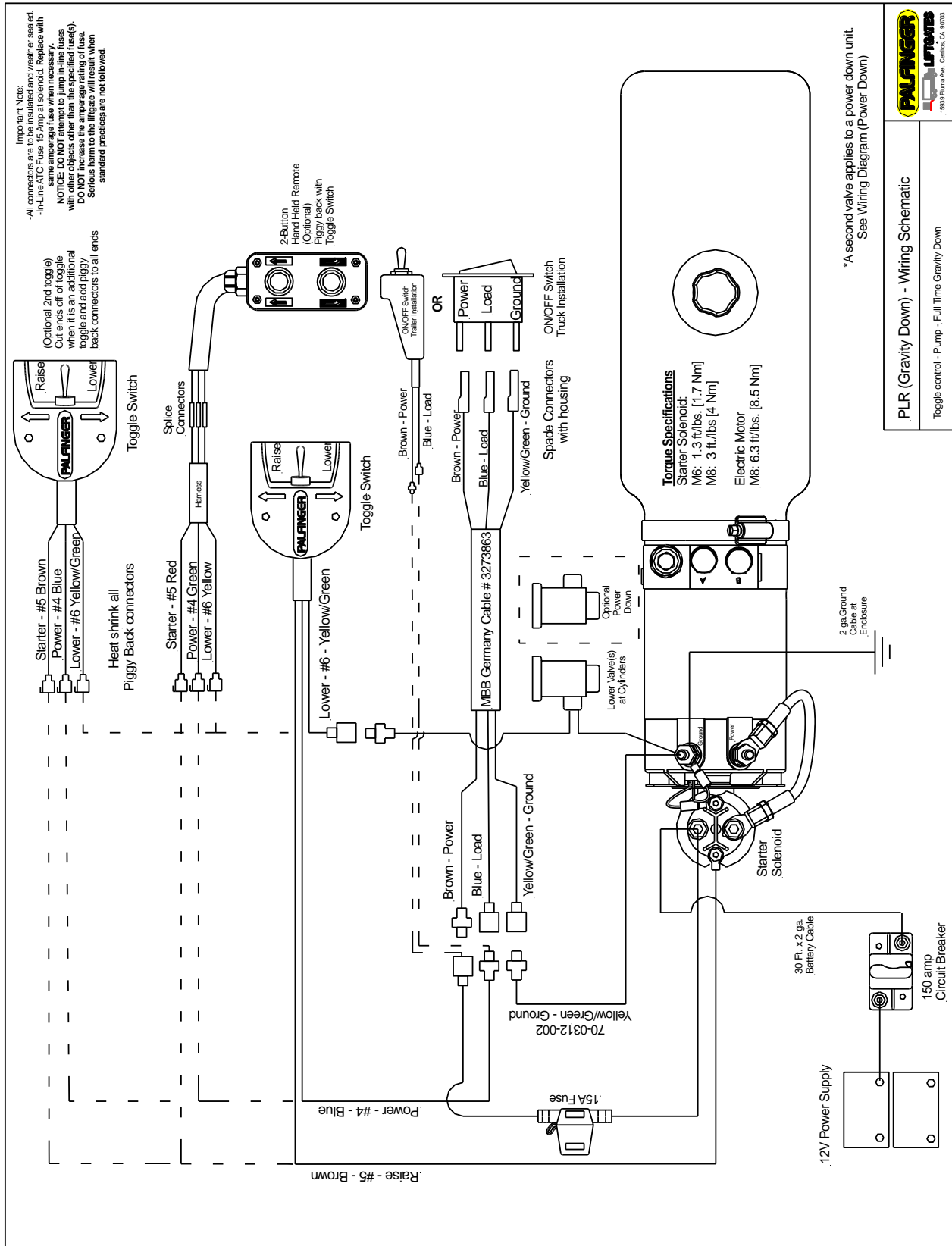
Function	Socket	Pump Motor
Up	5	Solenoid
Down	6	Release Valve
12V (Hot)	4	On/Off Switch



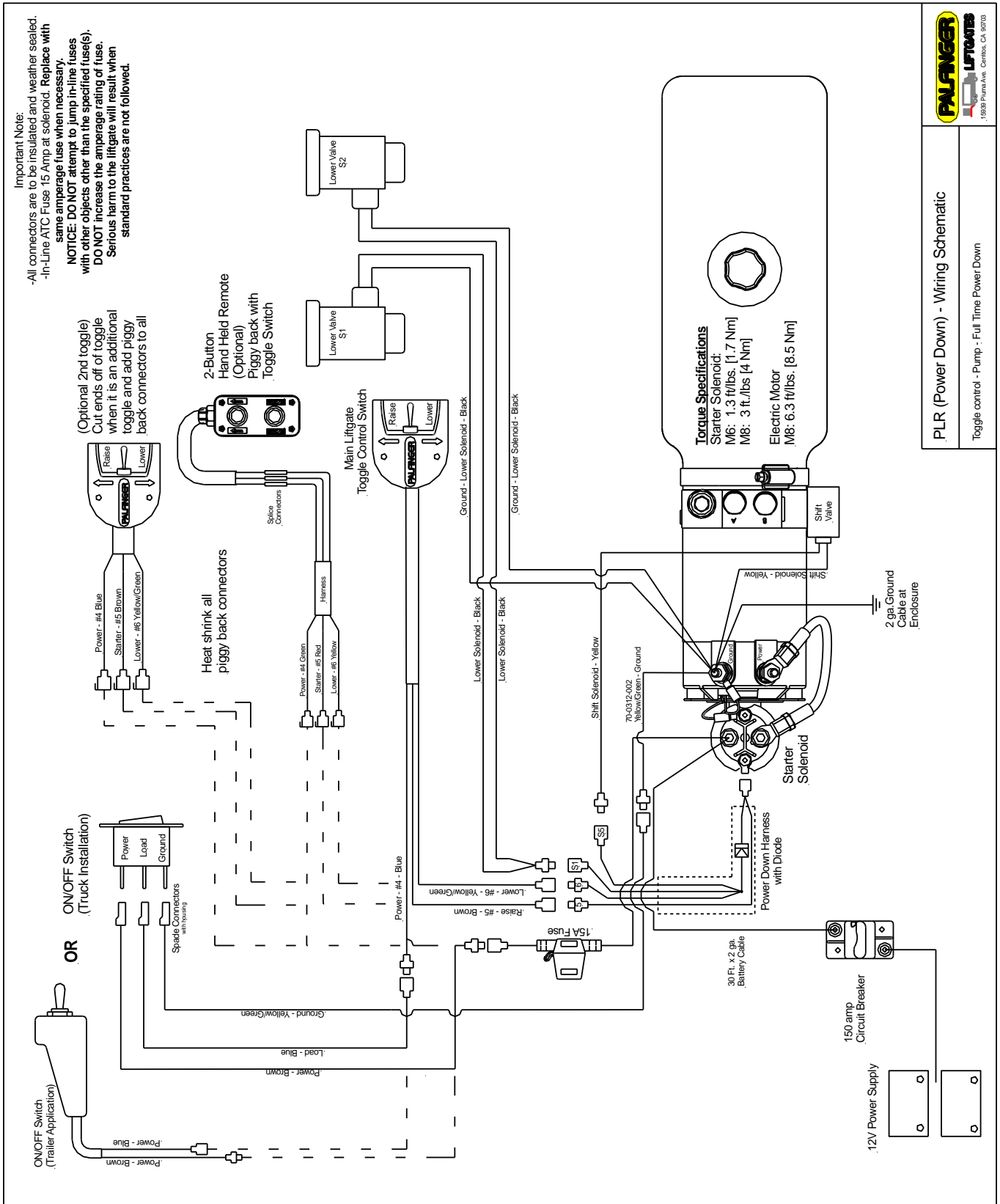
Hydraulic Power Unit

5. Reference Sections 13.9-13.10 for wiring diagram.

13.9 Wiring Diagram (Gravity Down)



13.10 Wiring Diagram (Power Down)



PALFINGER
LIFTWATERS
 1500 Parma Ave. Corcoran, CA 90703

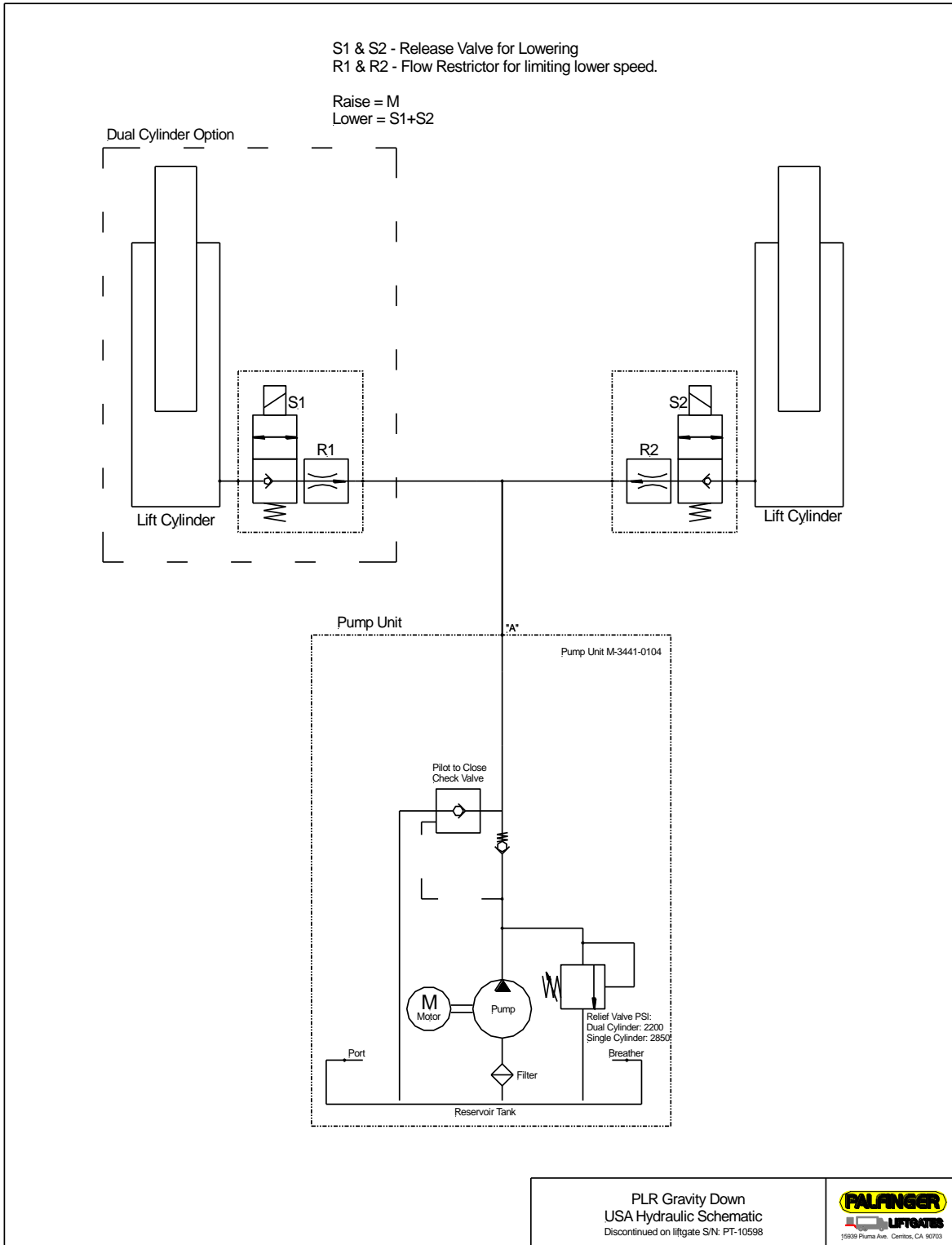
PLR (Power Down) - Wiring Schematic

Toggle control - Pump - Full Time Power Down

14 Hydraulic Schematic (Gravity Down)

NOTICE

- Insure that all hydraulic hoses are secured and away from heat sources, sharp corners/edges, and abrasion from moving components during the operation of the liftgate and vehicle.



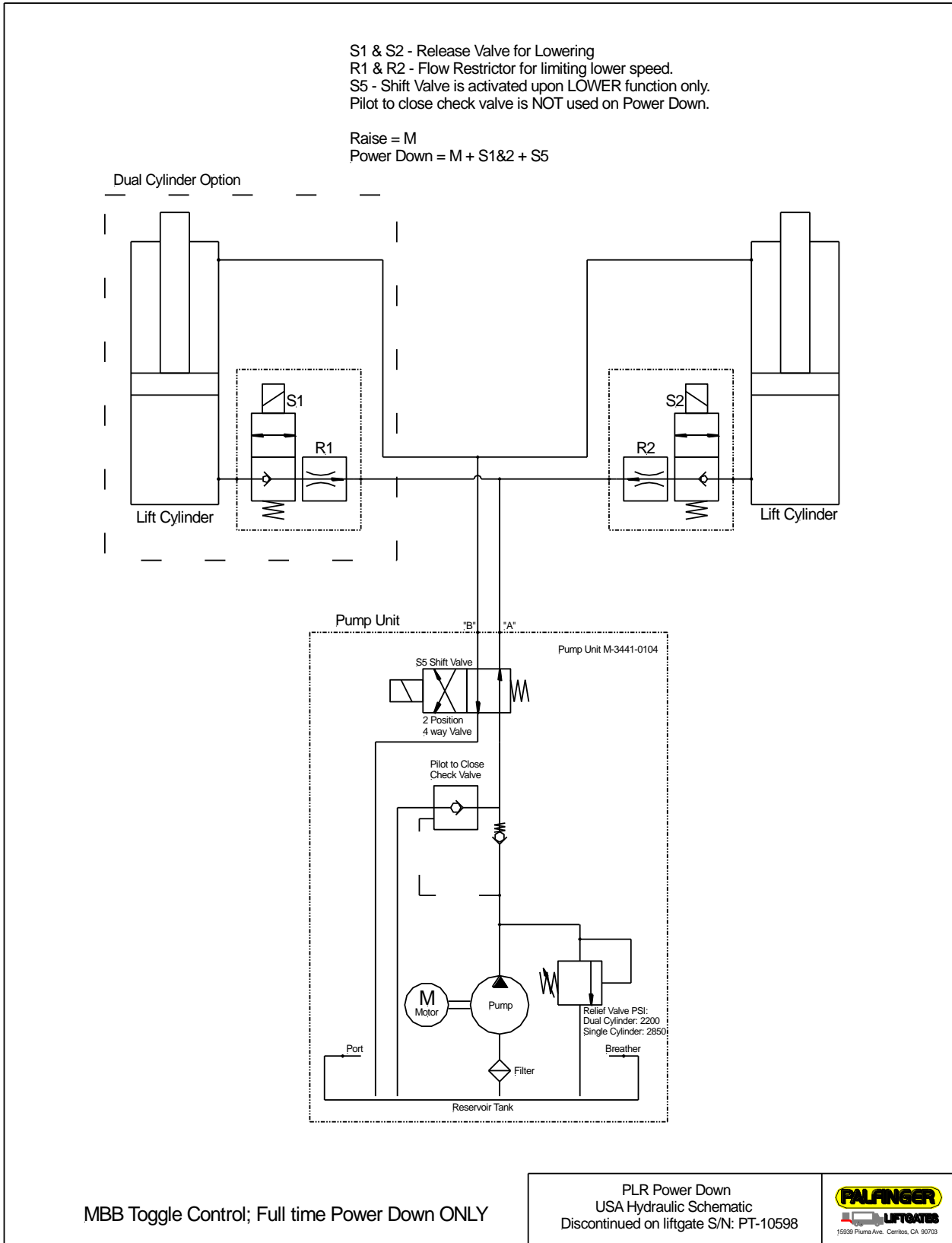
PLR Gravity Down
 USA Hydraulic Schematic
 Discontinued on liftgate S/N: PT-10598



14.1 Hydraulic Schematic (Power Down)

S1 & S2 - Release Valve for Lowering
 R1 & R2 - Flow Restrictor for limiting lower speed.
 S5 - Shift Valve is activated upon LOWER function only.
 Pilot to close check valve is NOT used on Power Down.

Raise = M
 Power Down = M + S1&2 + S5



MBB Toggle Control; Full time Power Down ONLY

PLR Power Down
 USA Hydraulic Schematic
 Discontinued on liftgate S/N: PT-10598



15 Decal Placement and Inspection



For operator's safety, all decals appearing in "Decal Kit" must be placed visibly on the control side of liftgate to be read by operator. This is typically a combination of decals on the liftgate and truck/trailer body. Please make sure to place the maximum capacity decal (D) on driver and curb side of the vehicle.

Important: Never remove or paint over any decal. If any decals below require replacement contact INTERLIFT Liftgates for replacements.

Decal Kit			
Decal	Qty.	Part No.	Description
A	1	ATG-URGWA	Urgent Warning: Elevating gate instructions
B	1	ATG-ILR-ILFS	Operating Instructions
C	1	ATG-BKR	Circuit Breaker Reset (must be located at the circuit breaker)
D	2	ATG-XXXX	Capacity (check the serial number plate to find out the gates specific capacity).
E	1	ATG-RESET	Circuit Breaker Protection
F	2	ATG-WLH	Warning: liftgate can crush
G	2	ATG-PLAT	Warning: Always stand clear of platform area
H	1	ATG-CAB	Liftgate Shut-Off (Place Decal next to the On-Off Switch in the Cab)
I	1	ATG-UD	Toggle Switch Decal (located on post for Trucks) Or (located on strut brace for flatbeds)
J	1	ATG-WNG	Warning: Use handle to open (must be located underneath handle (main section of platform))

NOTICE

It is the installer's responsibility to determine that the vehicle meets DOT and federal lighting regulations. Keep in mind that there are different requirements depending on the classification of the vehicle. This document is not intended to replace published agency regulations, and it is strongly recommended that the installer references the Code of Federal Regulations (CFR) which can be viewed at <http://www.ecfr.gov>

Decal - A

URGENT WARNING

BEFORE OPERATING LIFT, BE SURE YOU UNDERSTAND:

- Improper operation of this lift gate can result in serious personal injury. Do not operate unless you have been properly instructed, have read, and are familiar with, the operating instructions. If you do not have a copy of the instructions please obtain them from your employer, distributor or lesser, as appropriate, before you attempt to operate the lift gate.
- Be certain the vehicle is properly and securely braked before using the liftgate.
- Always inspect this lift gate for maintenance or damage before using it. If there are signs of improper maintenance, damage to vital part, or a slippery platform surface, do not use the lift gate. Do not attempt your own repairs, unless you are specifically trained.
- Do not overload. See the Mfg. Literature and/or Rating Label on the unit for the rated load. Remember that this limit applies to both raising and lowering operations.
- Each load should be placed in a stable position as near as possible to the center of the platform.
- Never allow yourself, a helper, or a bystander to stand in a position where an unstable load might fall on them. Do not allow any part of your or your helper's body to be placed under, through, or around any portion of the moving lift gate, or in a position that would trap them between any parts when the lift gate is opened.
- This lift gate is intended for loading and unloading of cargo only. Do not use this lift gate for anything but it's intended use. The lift gate is not equipped with a back up system to prevent falling in the event of a failure.

ATG-00999A

Decal - B

NOTICE

1. To check and put away lift gate:
 - To check platform level
 - To check MBB
 - To check MBB

2. To check platform level:
 - To check MBB
 - To check MBB

3. To check MBB:
 - To check MBB
 - To check MBB

4. To check MBB:
 - To check MBB
 - To check MBB

Decal - C

NOTICE

ELECTRICAL SYSTEM PROTECTED BY RESETTABLE CIRCUIT BREAKER

TO RESET - PUSH RESET TAB IN

ATG-BKR

CAUTION

Maximum Load Capacity

xxxx pounds.

Center load on platform to avoid personal or property damage.

ATG-4000

NOTICE

ELECTRICAL SYSTEM IS PROTECTED BY A RESETTABLE CIRCUIT BREAKER. SEE OWNER'S MANUAL AND DECAL LOCATED AT THE BATTERY.

ATG-RESET

WARNING

LIFTGATE HAZARDS CAN RESULT IN CRUSHING OR FALLING

KEEP HANDS AND FEET CLEAR OF PINCH POINTS

IF RIDING LIFTGATE, MAKE SURE LOAD IS STABLE AND FOOTING IS SOLID

READ AND UNDERSTAND ALL INSTRUCTIONS AND WARNINGS BEFORE USE.

Decal - E

WARNING

ALWAYS STAND CLEAR OF PLATFORM AREA

ATG-0107

Decal - F

NOTICE

LIFT GATE SHUT-OFF

TO BE TURNED OFF WHEN LIFT IS NOT IN USE

ATG-CAB

NOTICE

UP

DOWN

ATG-410

Decal - D

WARNING

USE HANDLE TO OPEN

ALWAYS STAND CLEAR OF PLATFORM AREA WHEN OPERATING THIS GATE

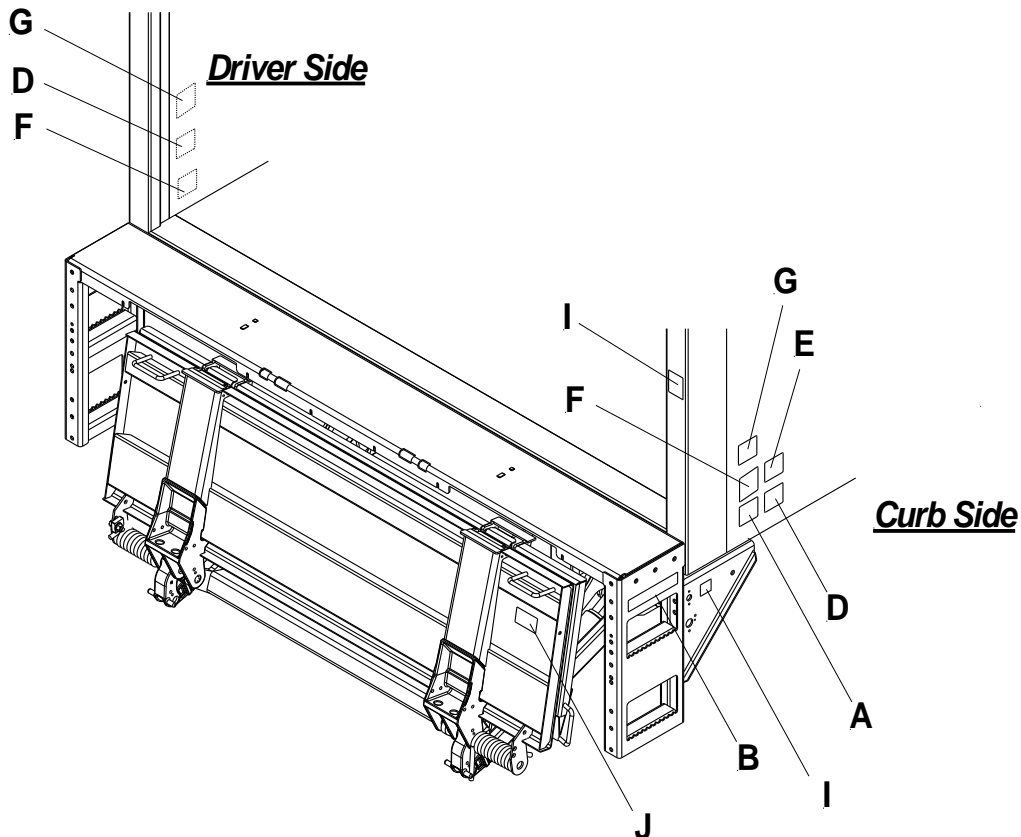
ATG-1003

Decal - G

Decal - H

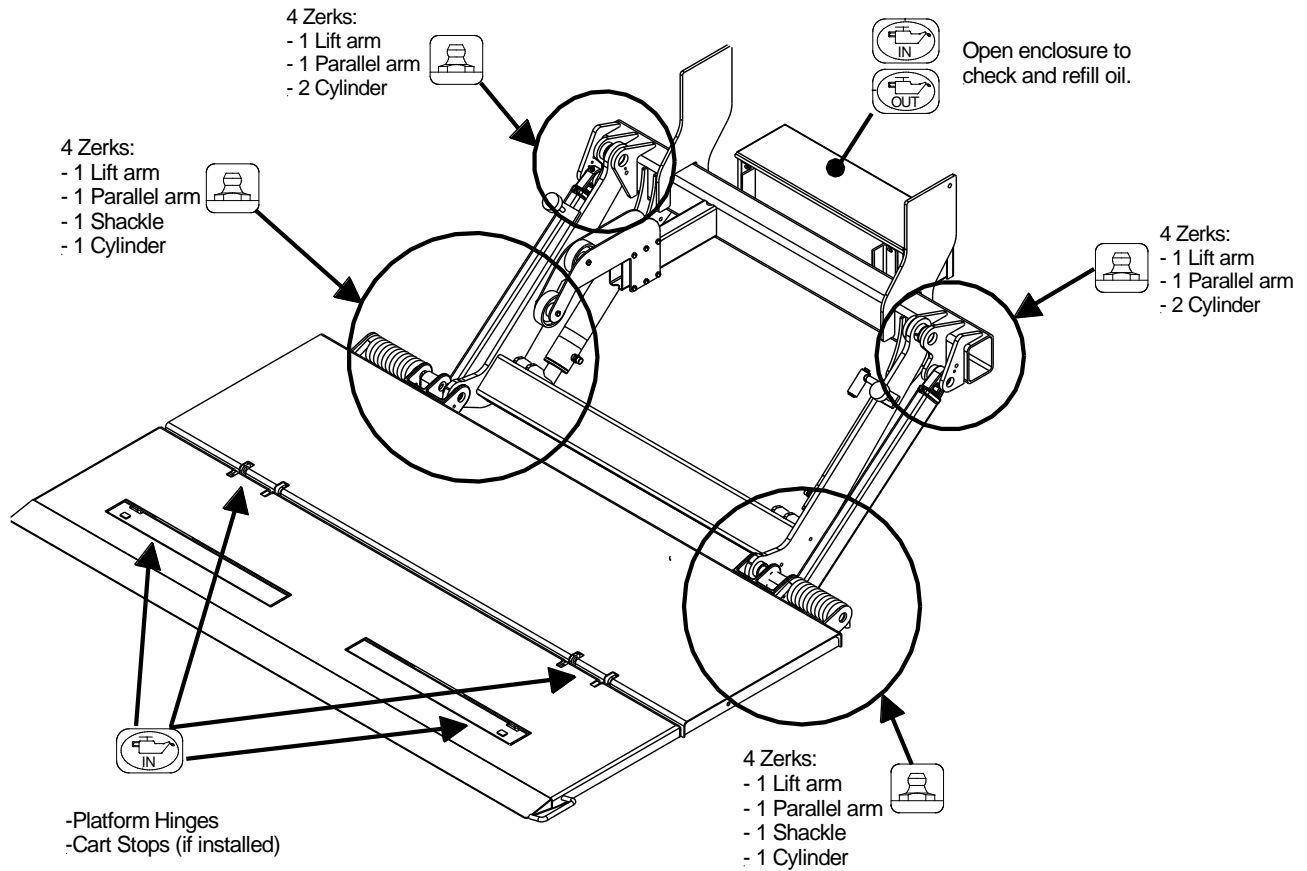
Decal - I

Decal - J

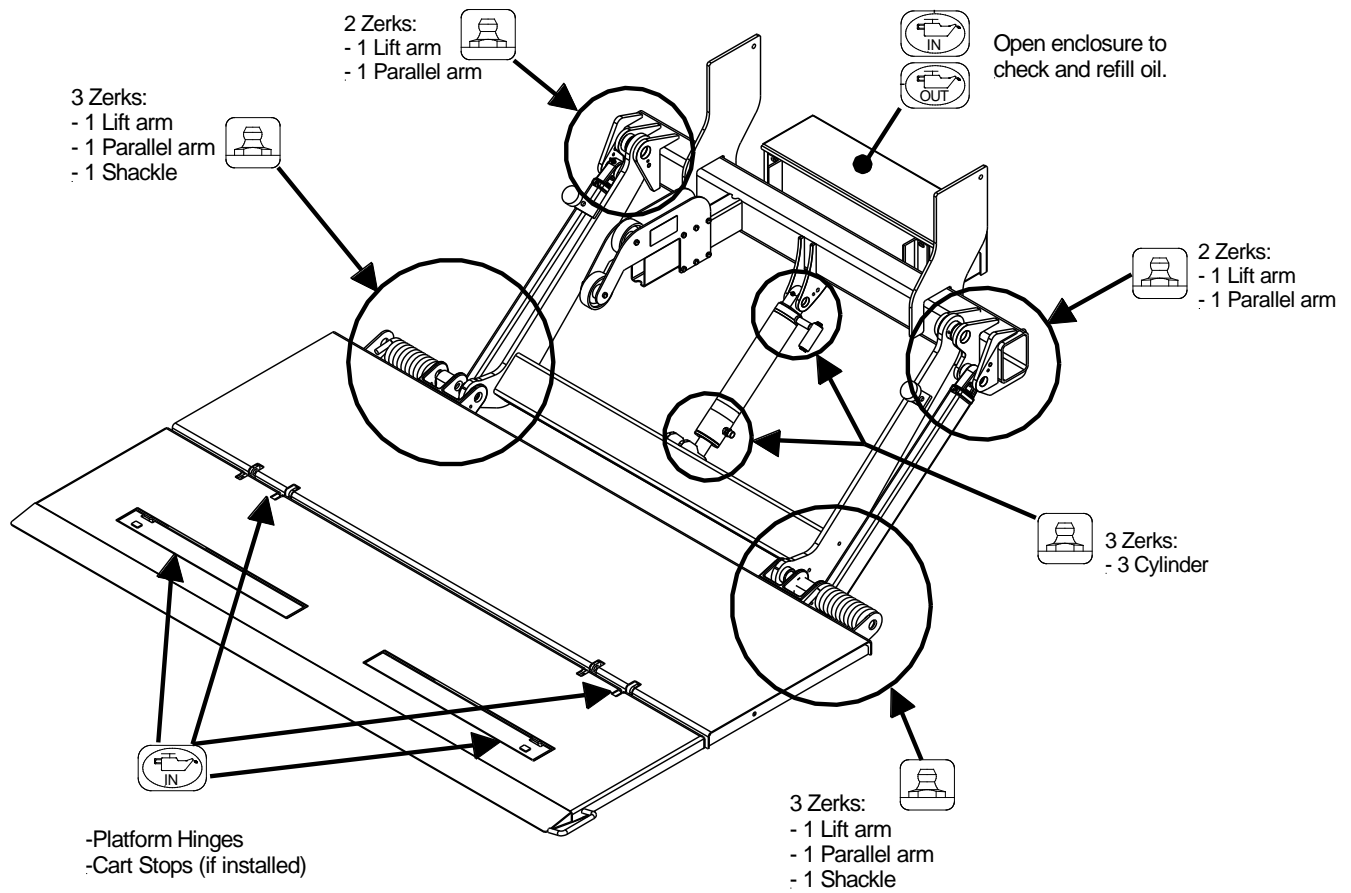


16 Lubrication

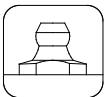
1. Lower the platform to the ground.
2. Remove red protector caps from each zerk. Lubricate, grease, and oil per diagram below.
3. Cycle platform up and down several times. Lubricate and grease all points again.
4. Wipe any excess grease and cap all zerks.



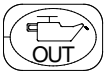
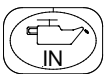
PLR Dual Cylinder



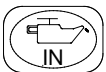
PLR Single Cylinder



Grease: Location of Grease Zerks.



Oil: Oil level in the power pack tank (see marking inside of power pack reservoir).



Lubricate: Platform hinges, Slide Rails and optional Cart Stops.

17 Final Inspection (Check Off Sheet)



Liftgate failure or malfunction could result in property damage, personal injury or death if you fail to check each of the following items listed. **DO NOT USE** the liftgate if any of the following points are NOT verified and checked.

Installation is **NOT** complete and all **WARRANTIES** are **VOID** if you have not checked and verified all items listed on this inspection sheet. Inspection sheet is to be filled out at the facility where liftgate was installed and **MUST** be sent to **INTERLIFT Liftgates** for warranty activation.

Structural Inspection

- All welds are 100% complete per this manual.
- All nuts, bolts, mounting hardware, pins, chain anchors are tight.
- All mounting dimensions are correct and liftgate is centered and squared per this manual.

Hydraulic Inspection

- Pump reservoir is filled to 1" from top of reservoir when cylinders are completely compressed (platform is resting on the ground).
- Hydraulic components and connections do not leak.
(Should be checked after unit is hydraulically locked for five (5) minutes.)
- All hydraulic lines are secured with cable ties, hoses clamps, or other fasteners. No hoses or components rub on the frame, platform, or any other components while unit is in operation or in storage. No hoses are kinked or bent.

Electrical Inspection

- Battery cable(s) attached and clamped tight and dielectric grease is used to seal all connections.
- All electrical lines are secured with cable ties, hoses clamps, or other fasteners and are properly protected.
- Circuit Breakers installed and wired per instructions.
- Measure battery voltages: Flooded Batteries = 12.6V; AGM Batteries = 12.8V
- Lights wired properly and operate per DOT, State, and Federal requirements.

Operational Inspection

- All decals are in place and legible per instructions.
- All pivot points are lubricated per instructions, and zerk fittings have been capped.
- Up stops are in place. Wheel is set for proper opening when lowering.
- Coil springs have been adjusted at the platform for proper folding and unfolding tension.
- Snubber pads are tight against platform.
- Safety chain has been hooked to platform (Section 12.3).
- Platform travels up and down smoothly and freely, without any hesitation, interference, or unusual noises.
- Platform is flush with the bed extension, tip is pitched according to Pitch Table (pg. 25) when raised completely.
- Platform tip rests on the ground when lowered completely.
- Platform raises and lowers properly and at correct speed (2 to 4 inches per second).
- Gate is painted, body is clean around gate. Chrome cylinder shafts are not painted. Rubber & plastic caps are in place.
- The liftgate serial number and model number are documented on the inside of the front cover of the Owners Manual (pg.4), as well as the installation manual in the space provided (pg.4).
- Owners Manual is in the vehicle's glove box.
- Supervisor has demonstrated the instructions in the Owners Manual to the customer/driver upon delivery.

Inspection Information (Please Print):

Name: _____ Signature: _____

Completed by: _____

Title: _____ Date: _____

Liftgate Model: _____ Liftgate Serial Number: _____

