

# ***INTERLIFT***

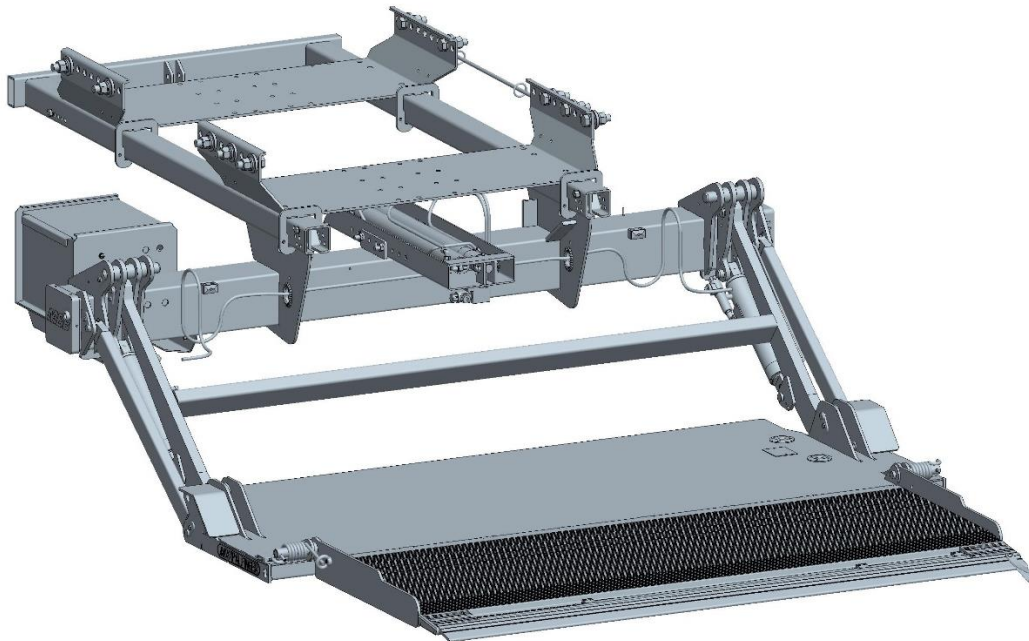
BY **PALFINGER**

---

## **PARTS MANUAL**

**ILFP 30, 3000 lbs. Capacity**

**ILFP 40, 4000 lbs. Capacity**



ILFP 30/40 Parts Manual  
Document Part Number: 90-1214-000  
ECN-M1723, Rev. 1.8, 01-24-24  
Copyright © 2023 Palfinger Interlift, LLC.  
All rights reserved.

Information in this document is subject to change without notice.  
Visit [www.palfinger.com](http://www.palfinger.com) for up to date information and notifications.

If you received this product with damaged or missing parts,  
contact INTERLIFT Liftgates at (888)-774-5844

Parts Order/Inquiries  
[liftgateparts@palfinger.com](mailto:liftgateparts@palfinger.com)

Technical Support  
[technicalapplications@palfinger.com](mailto:technicalapplications@palfinger.com)



15939 Piuma Ave.  
Cerritos, CA 90703  
Tel (888) 774-5844  
Fax (562) 924-8318



572 Whitehead Road.  
Trenton, NJ 08619  
Tel (609) 587-4200  
Fax (609) 587-4201

---

**Parts Orders:**

- There is a \$50.00 minimum parts order.
- Ground freight is free for spare parts orders exceeding \$1,500.00, excluding platforms, runners, mount frames and other main assemblies.
- Contact parts department, our hours are from 8 am EST in NJ until 5 pm PST in CA  
California: (888) 774-5844, or (562)924-8218, ext. 97, 29 , or 15; Fax: (562) 924-8318.  
New Jersey: at (609) 587-4200; Fax: (609) 587-4201.  
E-mail orders or inquires for both locations to: [liftgateparts@palfinger.com](mailto:liftgateparts@palfinger.com)
- Next Day Air shipments must be received by 2:30 pm local time at either location.
- To ensure quick delivery when placing an order, please be sure to include: liftgate model, serial number, part number, and description in accordance with spare Parts List.
- Any parts being returned must have Return Merchandise Authorization (RMA) number, copy of invoice and a detailed packing list of returned parts. RMA numbers will be issued by parts department and are valid for 30 days. All returned RMA parts must be returned to INTERLIFT Liftgates by prepaid freight or by call tag.
- Parts must be returned in NEW CONDITION. To receive credit on returned parts, the original purchase date must be within 6 month and authorized by INTERLIFT Liftgates.
- Returned parts are subject to a 20% restocking charge.
- Any part received not in new condition will be subject to inspection and possible refusal. All INTERLIFT Liftgates parts are covered for one year from date of purchase against defects in material and workmanship.
- **Warranty Coverage: part replacement only**

**INDEX**

**ILFP - Liftgate**

*Under Slider*

Important gate information:  
On the top of the tube on  
the driver side

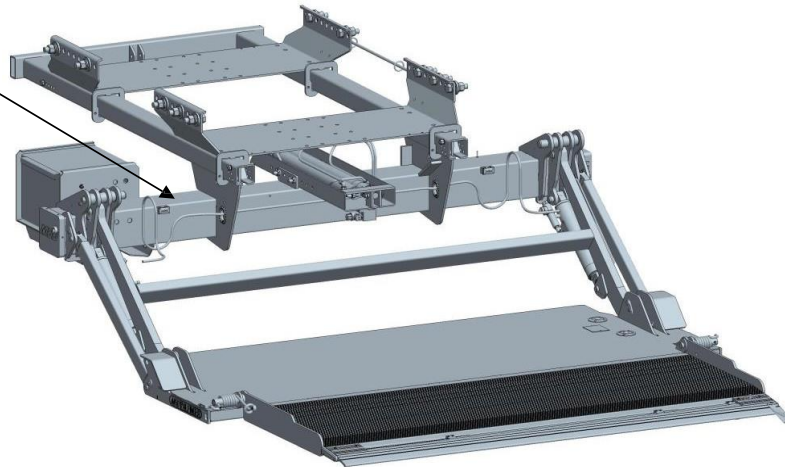
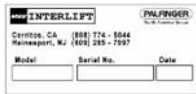


Table of Contents

ILFP Lifting Gear .....3

ILFP Subframe Truck .....4

ILFP Subframe Trailer .....5

ILFP Platform .....6

ILFP Cart Stop .....7

ILFP Battery Box .....8

ILFP CYLINDER.....9

ILFP Liftcylinder .....10

ILFP Push-Pull Cylinder .....11

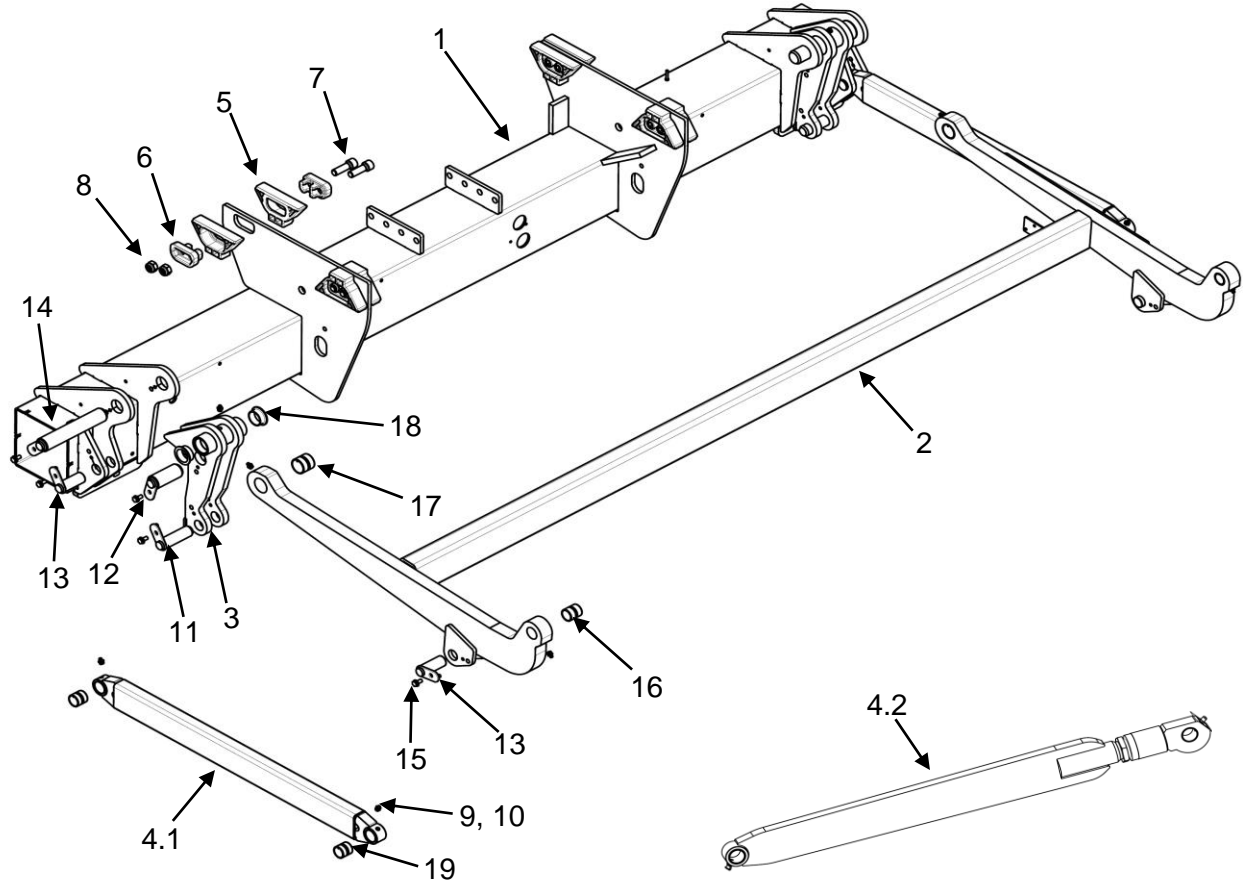
ILFP MBB Power Pack.....12

ILFP Control System .....13

ILFP PC-Board and Harnesses .....14

ILFP Hydraulic.....15

**ILFP Lifting Gear**

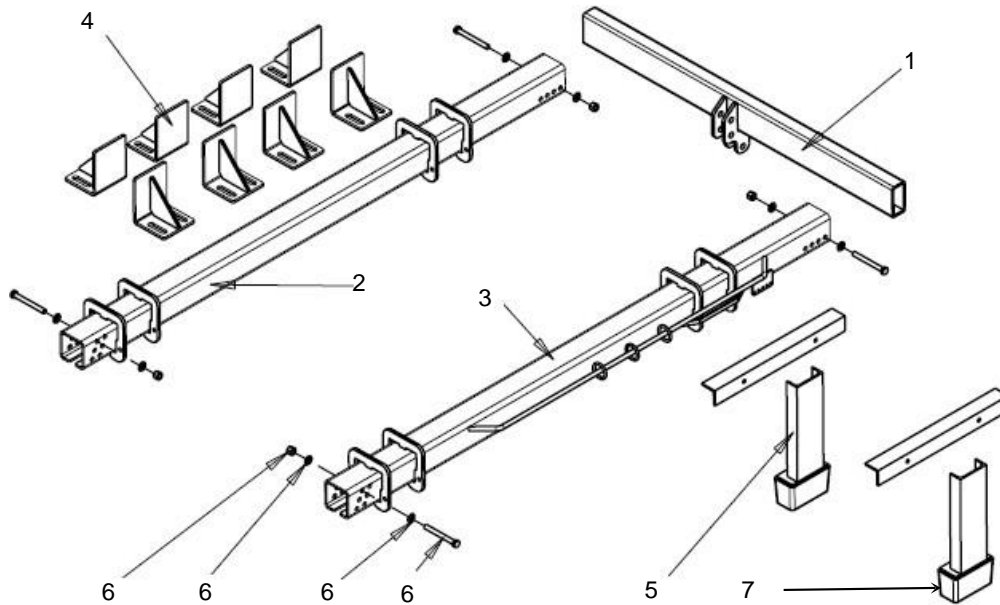


No.	Description	Part No.
1	Mount tube assembly	01-1211-000
2	Lift arm assembly	10-1208-100
3	Swing arm assembly	05-1009-100
4.1	Parallel arm	15-1013-100
4.2	Parallel arm, adjustable, assembly, new style	15-1213-000
5	Slide pad	P-2014290
6	Slide pad anchor	P-2014291
7	Socket head cap screw, M16 - 2.0 x 50 mm	P-1044604
8	Nut, nylock, M16 - 2.0	P-1150492
9	Grease zerk	P-69064337
10	Red cap, for grease zerk	P-1191680
<b>Pins</b>	<b>all pins require retaining bolt (see no. 15), all measurements in mm, to be read as OD x length</b>	
11	Pin, 28 x 99	P-1326307
12	Pin, 36 x 78	P-1350394
13	Pin, 28 x 74	P-2003651
14	Pin, 36 x 206	P-1403348
15	Retaining bolt, hex head cap screw w/ flange, M8 - 1.25 x 16 mm	P-2009212
<b>Bushings</b>	<b>measurements in mm, to be read as OD / ID x length</b>	
16	Bushing, 32 / 28 x 36	P-1403364
17	Bushing, 40 / 36 x 36	P-1403366
18	Bushing, 40 / 36 / 50 x 17 (OD / ID / flange diameter x length)	P-1278682
19	Bushing, 32 / 28 x 31	ELG1039

Palfinger Interlift, LLC.  
 15939 Piuma Ave, Cerritos, CA 90703  
 Tel: (888) 774-5844, Fax: (562) 924-8318

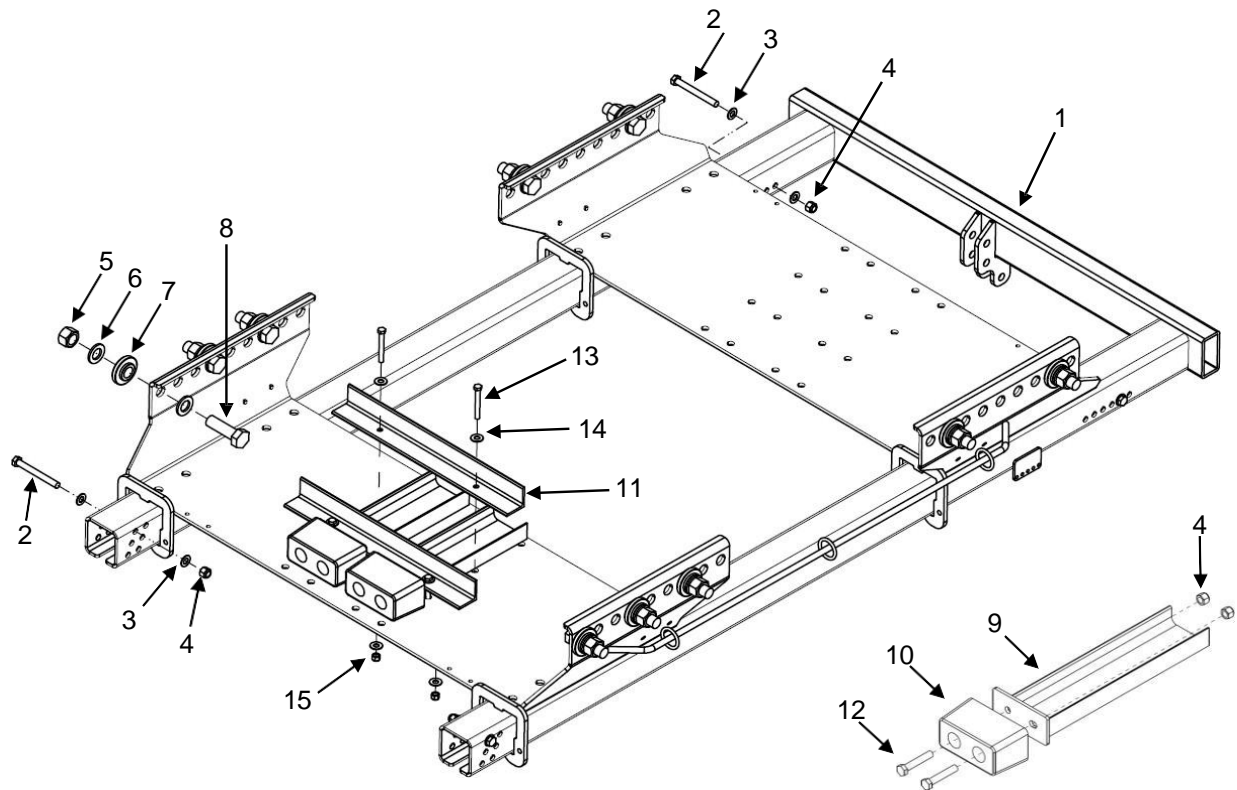
Palfinger Interlift, LLC.  
 572 Whitehead Road, Trenton, NJ 08619  
 Tel: (609) 587-4200, Fax: (609) 587-4201

**ILFP Subframe Truck**



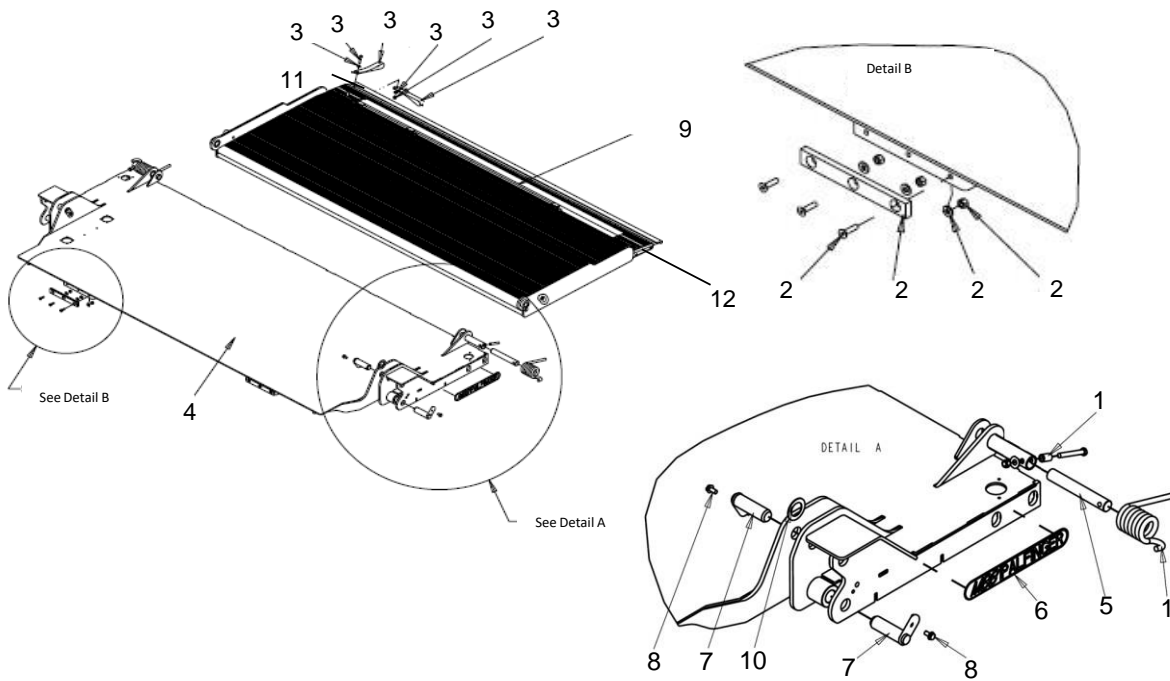
No.	Description	Part No.
1	Push- Pull Braket	55-1210-200
2	Slide Rail, Driver Side	55-1211-410
3	Slide Rail, Curb Side	55-1211-420
4	Mount Bracket, weld on	55-1211-430
5	Up Stop, Assy	60-1211-400
6	Hex Head cap screw, Kit w/ washers and nut	1-00005
7	Bumper only, up stop	65-7514-012

**ILFP Subframe Trailer**



No.	Description	Part No.
1	Rapid mount sub frame	55-1211-100
2	Hex head cap screw, 1/2 - 13 x 4.5"	ES3519
3	Washer, 1/2"	EK2795
4	Nut, nylock, 1/2 - 13	EM 689
5	Nut, nylock, M24 - 3.0	EM 706
6	Washer, M24	EK3215
7	Spacer, trailer bolt on	55-1211-111
8	Hex head cap screw, M24 - 3.0 x 80 mm	ES 693
9	Channel, upstop	60-1211-410
10	Bumper, upstop	60-1211-401
11	Angle brace, upstop	60-1211-402
12	Hex head cap screw, 1/2 - 13 x 2.75"	ES3553
13	Hex head cap screw, 3/8 - 16 x 3.0"	ES3466
14	Washer, 3/8"	EK3216
15	Nut, nylock, 3/8 - 16	EM 698

**ILFP Platform**

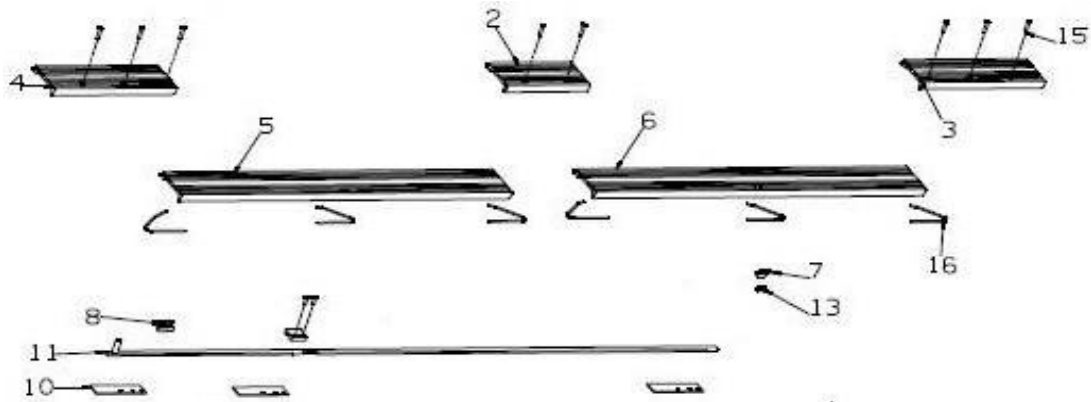


No.	Description	Part No.
1	Spring Kit, ILFP Tip	20-1214-000
2	Bumper, Sill,Platform, Kit w/ bolts, washers and nuts	20-1210-002A
3	Handle Strap, w/ both Handle straps, bolts, washers and nuts	20-1210-003A
4	Main Platform Assy	21-1208-100
5	Pin, Tip Section	45-1209-201
6	Palfinger Logo Label	P-2006189
7	Pin 28x99mm	P-1326307
8	Bolt, Pin Lock M8x16mm	P-2009212
9	Tip, Platform Alum w/CS	ILFP-2024049
10	Thrust Bearing, Bronze, 2" D, 1.25" ID, 1/16"	5906K553
11	Cap tip curb side, plastic with cart stops	P-9083239000
12	Cap tip driver side, plastic with cart stops	P-9083238000



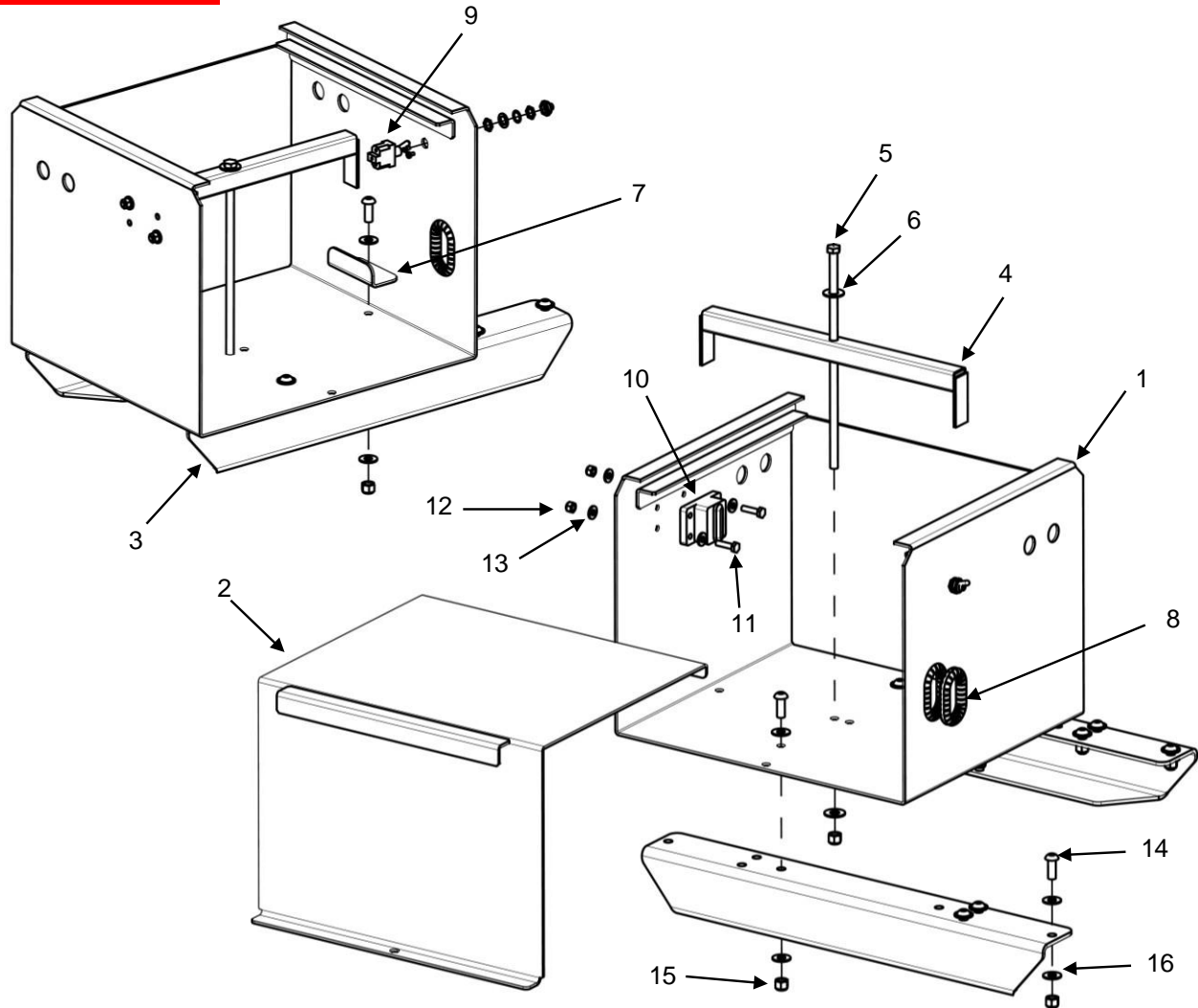
**ILFP Cart Stop**

**ALUPLAN**



No.	Description	Part No.
2	Filler, Cart Stop Center	P-2003302
3	Filler, Cart Stop Driver Side	P-2003303
4	Filler, Cart Stop Curb Side w/ notch	P-2003301
5	Lid, Cart Stop CS, 1000mm	P-2006698
6	Lid, Cart Stop, DS 1000mm	P-2006697
7	Clip, Hold Down, Cart Stop	P-1406249
8	C- Clip, plastic 1.38", Sq w/ wholes	P-2004637
10	Rod support 1.38x4.75"	P-1406245
11	Sliding Rod	P-1406248
13	Screws M5X8	P-1032122
15	Screws M6X30	P-1089863
16	Spring Wire, Cart Stop	P-1408661

**ILFP Battery Box**



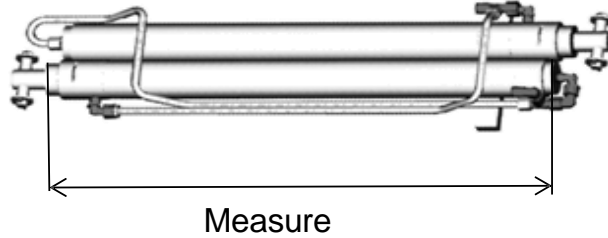
No.	Description	Part No.
1	Battery box base	60-1211-220
2	Battery box lid	60-1211-225
3	Support chanel	60-1211-201
4	Battery hold down	60-1211-210
5	Hex head cap screw, 3/8" - 16 x 11"	ES3505
6	Washer, 3/8"	EK3216
7	Shim bracket	60-1211-202
8	Split loom, 1/2", comes in 6.5" cut length	60-1211-203
9	Toggle switch, w/ hardware	3-1NT1-2
10	Curcuit breaker	3-10150
11	Hex head cap screw, 1/4" - 20 x 1.0"	ES3443
12	Nut, nylock, 1/4" - 20	EM 713
13	Washer, 1/4"	EK3218
14	Button head cap screw, 3/8" - 16 x 1.0"	ES3526
15	Nut, nylock, 3/8" - 16	EM 708
16	Washer, 5/16", USS	EK3217

**ILFP CYLINDER**

**No.1 Lift cylinder**



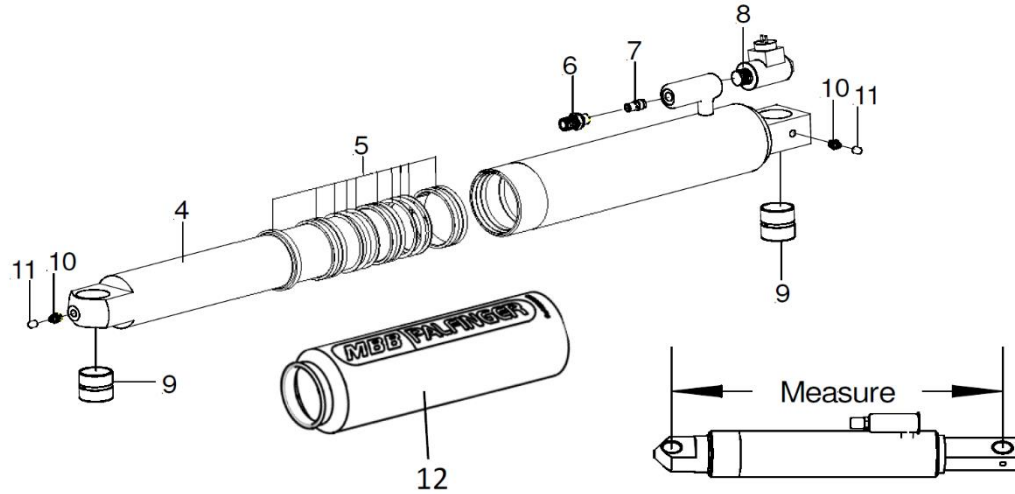
**No.2 Push- Pull cylinder**



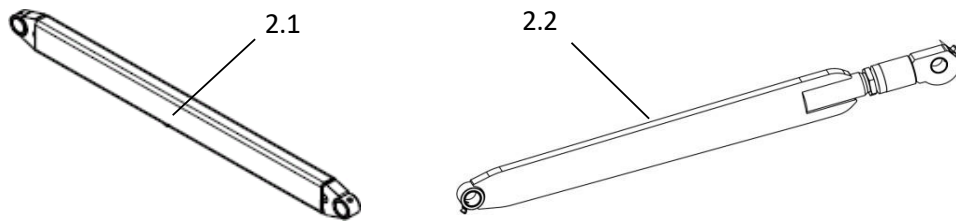
<b><u>Lift arm 900mm (35 1/2")</u></b>		
<b>No.</b>	<b>Description</b>	<b>Part No.</b>
1	Lift cylinder <i>without release valve</i> 63.28.498	P-2016765
2	Push- Pull cylinder 700mm (Measurement 32 1/2")	P-1408003

**ILFP Liftcylinder**

**No.1 Liftcylinder**

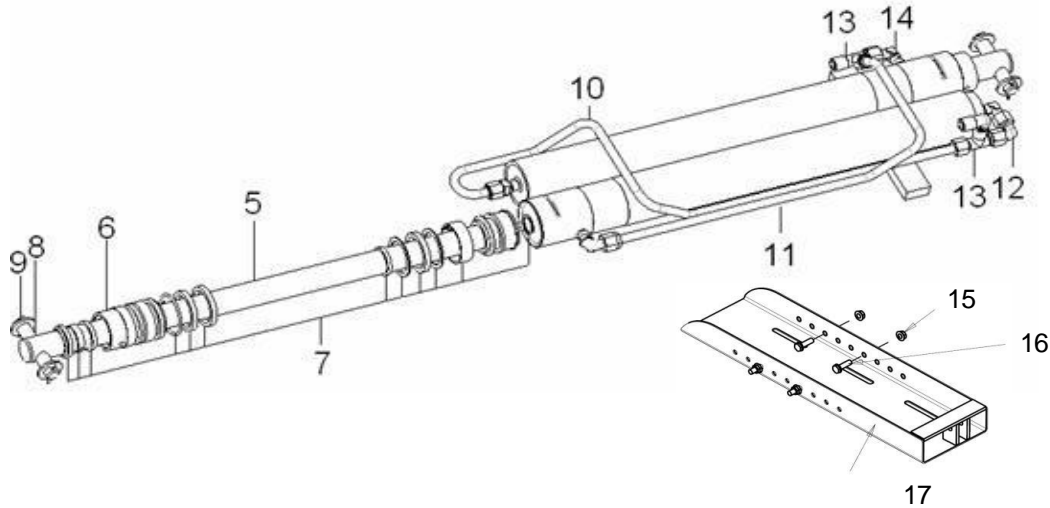


**No.2 Parallel arm**

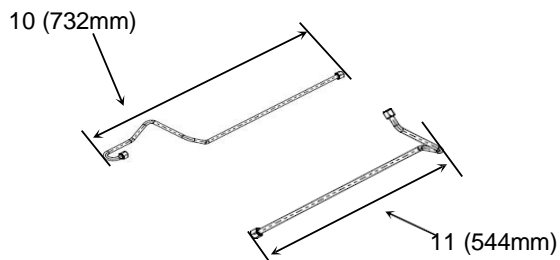


No.	Description	Part no.
<i>Piston rod diameter- lift cylinder</i>		<b>63mm (2 ½")</b>
<i>compressed length - lift cylinder</i>		<b>498mm (19 ½")</b>
1	Lift cylinder <i>without release valve</i> 63.28.498	P-2016765
2.1	Parallel arm - 900mm (35 ½")	15-1013-100
2.2	Parallel arm - 900mm, adjustable, new design	15-1213-000
4	Piston rod	P-2016761
5	Rebuild kit	P-1407784
6	Adaptor / hose fitting	P-1188263
7	Restrictor no.3	P-1355942
8	Release valve, single lock	P-67282345
9	Bushing	ELG1039
10	Grease zerk	P-2019653
11	Red cap	P-1191680
12	Sleeve	P-1097838

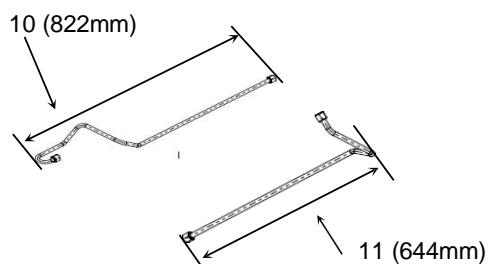
**ILFP Push-Pull Cylinder**



for Piston rod 600mm

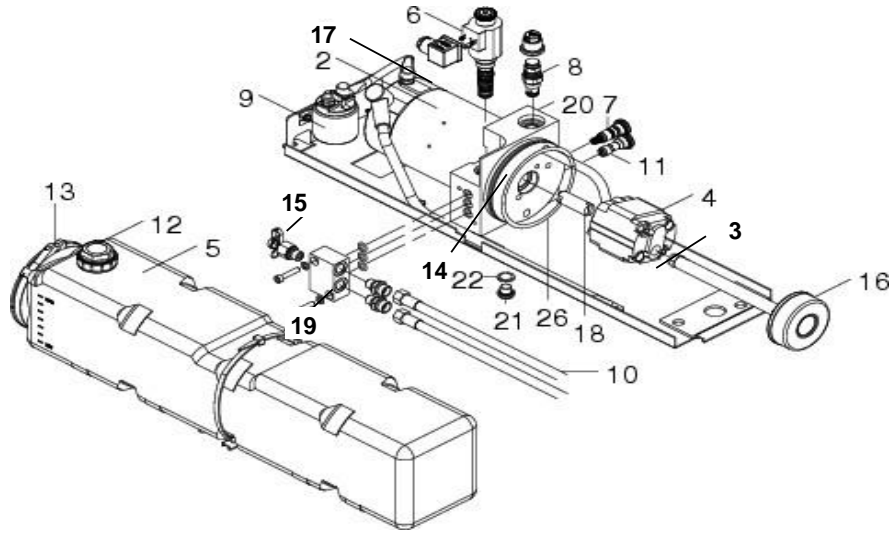


for Piston rod 700mm



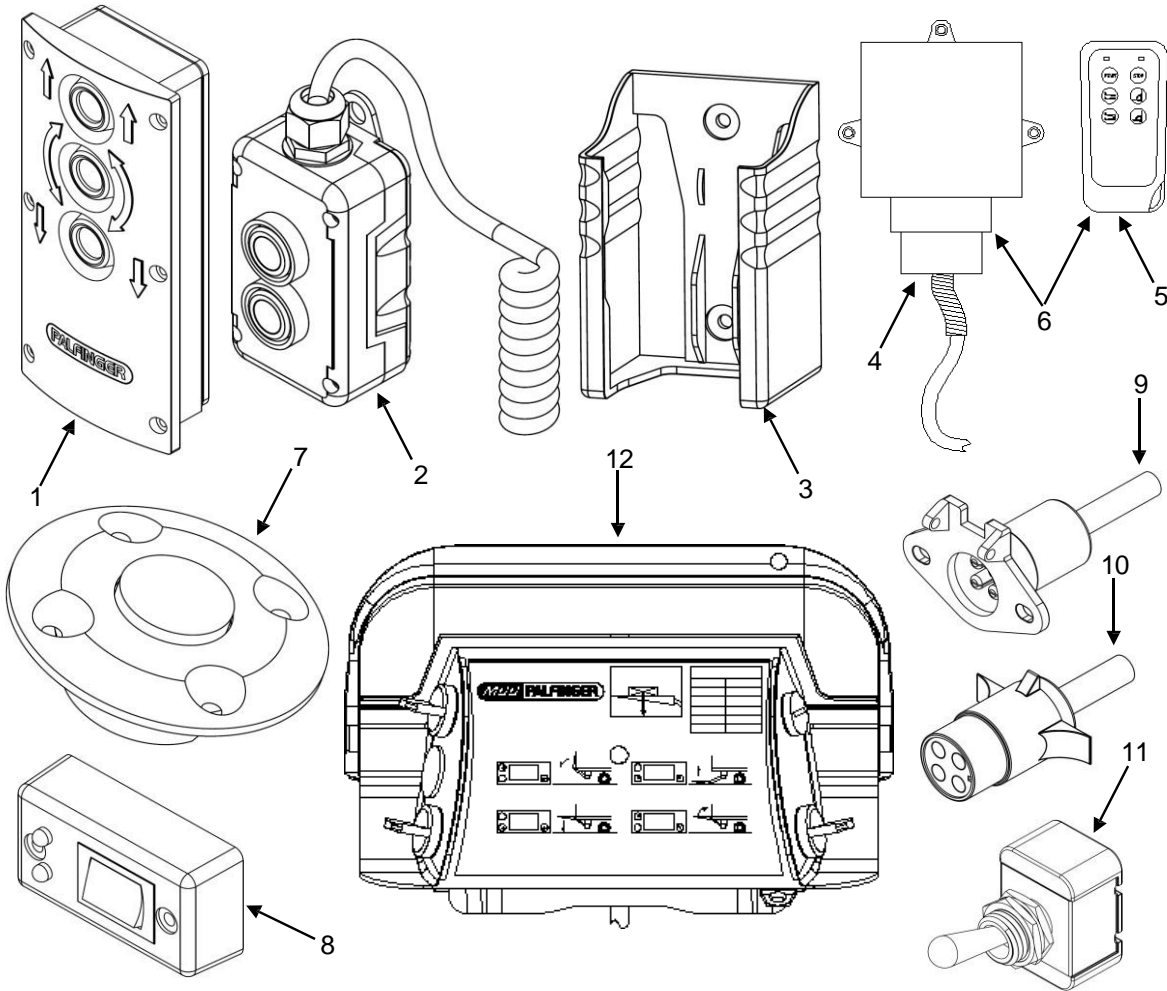
No.	Description	Part No.
<i>Piston rod diameter - 700mm</i>		<b>30mm (1 1/4")</b>
5	Piston rod - 700	P-1404772
6	End plug	P-1402032
7	Rebuild kit	P-1330763
8	Pin incl. cotter pin	P-1330089
9	Washer	P-1403363
10	Pipe - 600	P-1407989
	Pipe - 700	P-1407998
11	Pipe - 600	P-1407990
	Pipe - 700	P-1407999
12	Fitting - 90° elbow	P-1232266
13	Tee- Fitting	P-1111075
14	Banjo Fitting	P-1000180
15	Nut M14	NUT-M13
16	Hex Head Cap Screw, M14x45mm	HHCS-M14x45
17	Tray, Push Pull	56-1210-350

**ILFP MBB Power Pack**



No.	Description	Part No.
1	Power pack w/tray , complete	P-1406000
2	Motor 12 Volt	P-1353555
3	Pipe	on request
4	Pump, 2ccm	P-1298068
5	Oil reservoir, 8liter	P-1362483
6	Shift valve (S-5)	P-1299412
7	Flow divider spring & plunger	P-1405972
8	Pressure relief valve	P-1298111
9	Motor solenoid	P-1320127
10	Hydraulic hoses to valve block	P-1112885
11	Flow control valve (R5)	P-1298086
12	Breather cap	P-1362518
13	Clamp for oil reservoir	P-1362509
14	O-ring Oil Reservoir	P-1297972
15	Hydraulic hose Adapter - Gauge	P-71067009
16	Pump filter	P-1298022
17	Carbon brushes kit (4 pieces)	P-1410330
18	Coupler 17x48	P-1406264
19	Adaptor 1/4 X 10l Hose Fitting	P-1188263
21	Drain plug	P-66373088
22	Sealing washer	P-1298013

**ILFP Control System**

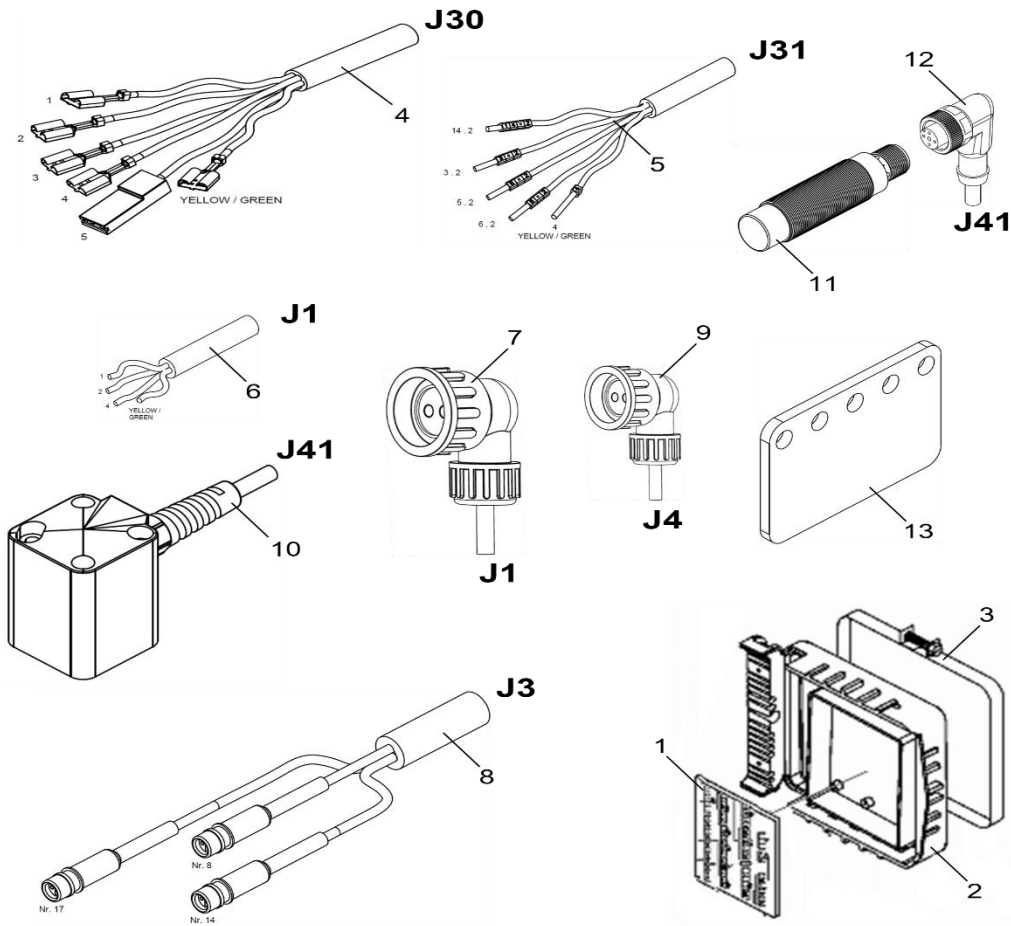


No.	Description	Part No.
1	Control, 3 Button flush mount	P-1404997
2.1	2 Button hand control with coil	P-72916816
2.2	2 Button hand control with coil and plug	P-72916816P
2.3	2 Button hand control with coil and 7 way plug	P-1300135
3	Holster for hand control	1-00050
4	Radio control receiver, 6 way	3-500655
5	Radio control transmitter remote, 6 way	3-50065
6	Radio control kit - transmitter and receiver	3-50065A
7.1	Foot control button 2 wire	P-1330945
7.2	Foot control button	P-1405256
8	On- off switch, Truck	P-1332494
9.1	Socket, 4 way	3-00011
9.2	Socket, Hella, 7 way w/ seal	P-1299912A
10.1	Plug, 4 way	3-00010
10.2	Plug, Hella, 7 way	P-1237109
11	On- off switch, Trailer	3-1NT1-2
12	Control box with harness	P-2024080

Palfinger Interlift, LLC.  
 15939 Piuma Ave, Cerritos, CA 90703  
 Tel: (888) 774-5844, Fax: (562) 924-8318

Palfinger Interlift, LLC.  
 572 Whitehead Road, Trenton, NJ 08619  
 Tel: (609) 587-4200, Fax: (609) 587-4201

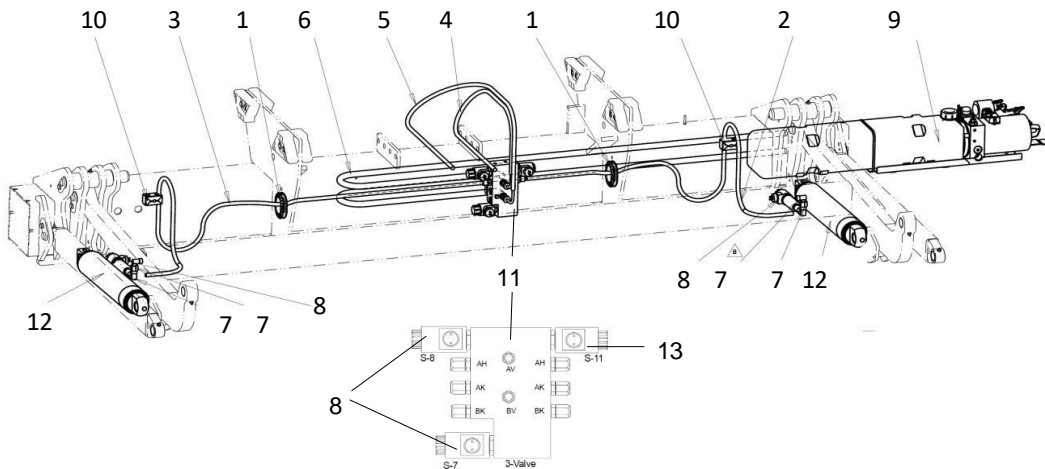
**ILFP PC-Board and Harnesses**



No.	Description	Part No.
1	PC- board M Control	P-2029091A
2	Cover for control system	P-2029906
3	Clamp for cover	P-2010169
4	Wire harness for control box (J11, J30 and J32) (actual harness differs slightly from picture shown above; harness consists of wires 1 through 9 plus yellow / green wire)	P-2007410
5	Wire harness for hand control (J31)	P-2008921
6	Wire harness for circuit board power (J1 and J2)	P-2007406
7	Wire harness for power pack and down stop valve S11 (J1)	P-2010018
8	Wire harness for warning lights and foot control (J3)	P-1342776
9	Cable for solenoid valve(up/down and tilt functions on J4 and slide function on J42)	P-67254198
<b>Easy Move Options</b>		
1	PC- board, Easy Move	P-2007413
10	Sensor B15 for platform (J41)	P-1332485
11	Proximity sensor, Easy Move	P-2021082
12	Wire harness for proximity sensor (J41)	P-2021083
13	Plate, Easy Move sensor	55-1211-113



**ILFP Hydraulic**



No.	Description	Part No.
1	1/2" Split Loom, 6.25"	80-1211-006
2	HOSE, 1600mm, Lift Cylinder	P-1016771
3	HOSE, 2000mm, Lift Cylinder	P-1023187
4	HOSE, 1000mm, PP Cylinder	P-1110229
5	HOSE, 1000mm, PP Cylinder	P-1110229
6	HOSE, 2000mm, Pump/Motor	P-1112885
7	Elbow Fitting, 10L, 900,	P-1232266
8	Valve+Coil, 12V, Double Lock	P-1284466
9	Pump/Motor/Rsrvr, ILFP Gravity Down	P-1406000
10	Plastic Holder, hose system	P-1406960
11	Valve Block, ILFP	P-1409657
12	Cylinder, Lift	P-2016765
13	Valve+Coil, 12V, Single Lock	P-67282345

