

INTERLIFT

BY PALFINGER

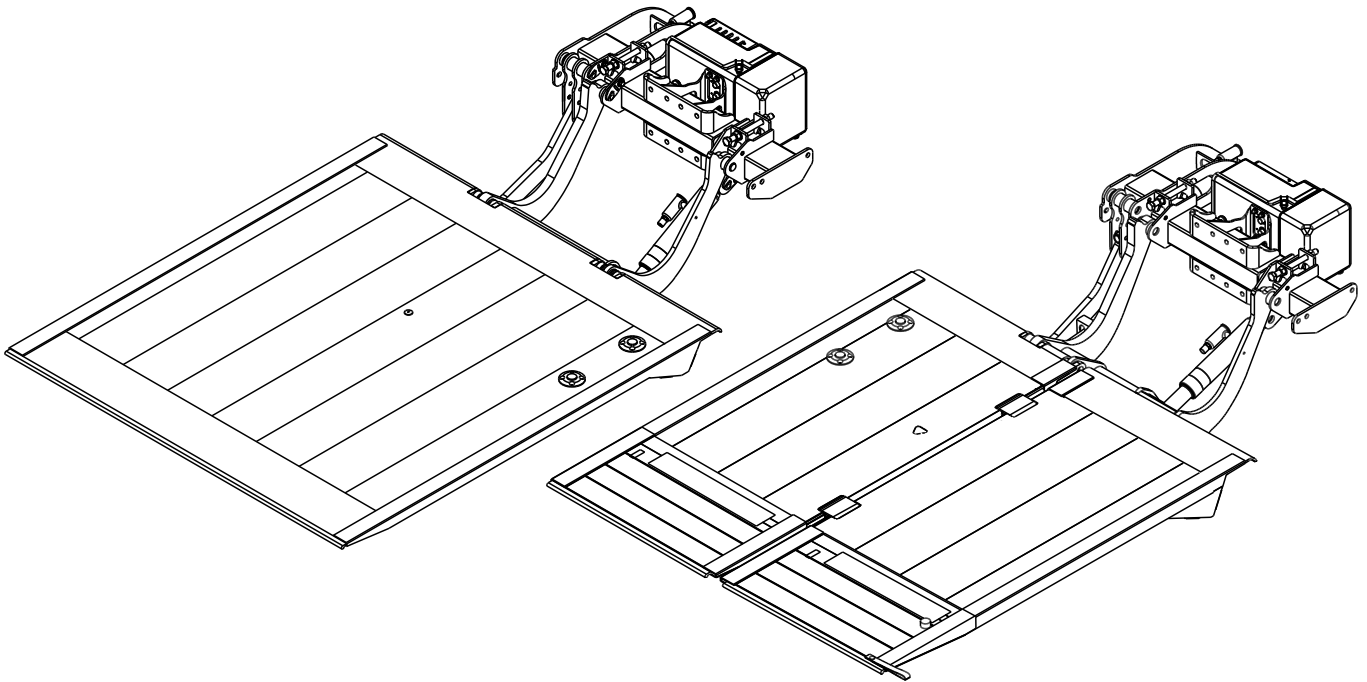
PARTS MANUAL

(After Dec 2017)

(Prior to Dec 2017)

MiniFix 1100, 1100 lbs. Capacity

MiniFix 1320, 1320 lbs. Capacity



MiniFix 1100/1320 Parts Manual
Document Part Number: 90-0914-000 / 14-689_90-00_00-00
ECN-M1723, Rev. 1.7, 01-23-24
Copyright © 2023 Palfinger Interlift, LLC.
All rights reserved.

Information in this document is subject to change without notice.
Visit www.palfinger.com for up to date information and notifications.

If you received this product with damaged or missing parts,
contact INTERLIFT Liftgates at (888)-774-5844

Parts Order/Inquiries
liftgateparts@palfinger.com

Technical Support
technicalapplications@palfinger.com



BY **PALFINGER**

15939 Piuma Ave.
Cerritos, CA 90703
Tel (888) 774-5844
Fax (562) 924-8318



BY **PALFINGER**

572 Whitehead Road.
Trenton, NJ 08619
Tel (609) 587-4200
Fax (609) 587-4201

Parts Orders:

- There is a \$50.00 minimum parts order.
- Ground freight is free for spare parts orders exceeding \$1,500.00, excluding platforms, runners, mount frames and other main assemblies.
- Contact parts department, Our hours are from 8 am EST in NJ until 5 pm PST in CA
California: (888) 774-5844, or (562)924-8218, ext. 97, 29, or 15; Fax: (562) 924-8318.
New Jersey: at (609) 587-4200; Fax: (609) 587-4201.
E-mail orders or inquires for both locations to: liftgateparts@palfinger.com
- Next Day Air shipments must be received by 2:30 pm local time at either location.
- To ensure quick delivery when placing an order, please be sure to include: liftgate model, serial number, part number, and description in accordance with spare Parts List.
- Any parts being returned must have Return Merchandise Authorization (RMA) number, copy of invoice and a detailed packing list of returned parts. RMA numbers will be issued by parts department and are valid for 30 days. All returned RMA parts must be returned to INTERLIFT Liftgates by prepaid freight or by call tag.
- Parts must be returned in NEW CONDITION. To receive credit on returned parts, the original purchase date must be within 6 month and authorized by INTERLIFT Liftgates.
- Returned parts are subject to a 20% restocking charge.
- Any part received not in new condition will be subject to inspection and possible refusal. All INTERLIFT Liftgates parts are covered for one year from date of purchase against defects in material and workmanship.
- Warranty Coverage: Part replacement only.

Table of Contents

1 Mount Frame..... 6

 1.1 Single Piece Platform Frame..... 6

 1.2 Two Piece Platform Mount Frame..... 8

2 Mount Plate Kits 10

3 Single Piece Platform 12

4 Single Piece Platform Ramps 14

5 Two-Piece Platform 16

6 Two-Piece Platform Ramps..... 18

7 Platform Bumpers (Discontinued 2019)..... 19

8 Platform Cart Stops..... 20

9 Hydraulic Hoses 21

10 Power Pack 22

11 Lift Cylinder 23

12 Tilt Cylinder..... 24

13 Electrical 25

14 Controls..... 26

15 Decals..... 27

1 Parts Manual - Prior December 2017 28

2 Lifting Gear 30

3 Pins and Bushings 32

4 Platform (Since '06-'08)..... 35

5 Platform (Since '07-'08)..... 37

6 Cart Stop (PK1)..... 38

7 Control System (Until 06/08)..... 39

8 Control System..... 41

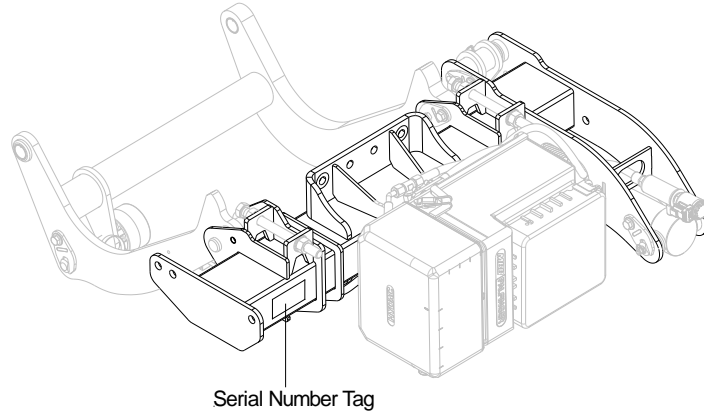
9 Platform (Since '07-'08)..... 43

10 Power Pack 45

Important Liftgate Information

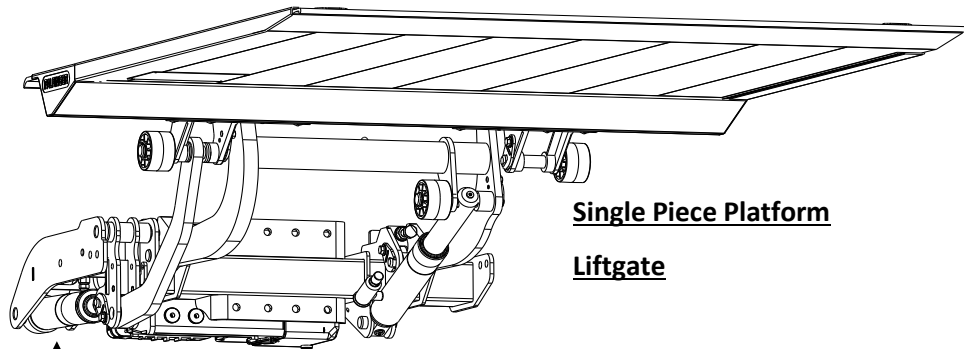
Liftgate serial information can be found on the mount tube at the driver side.

Please have the liftgate information ready when ordering parts to assure parts are replaced accurately.



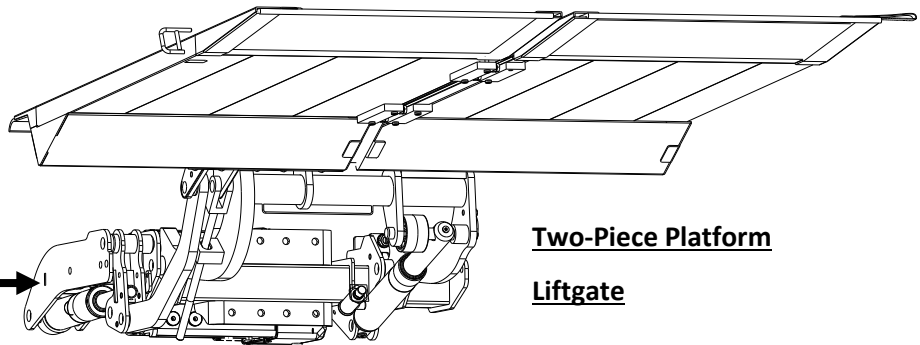
Overview

From 2018



Single Piece Platform
Liftgate

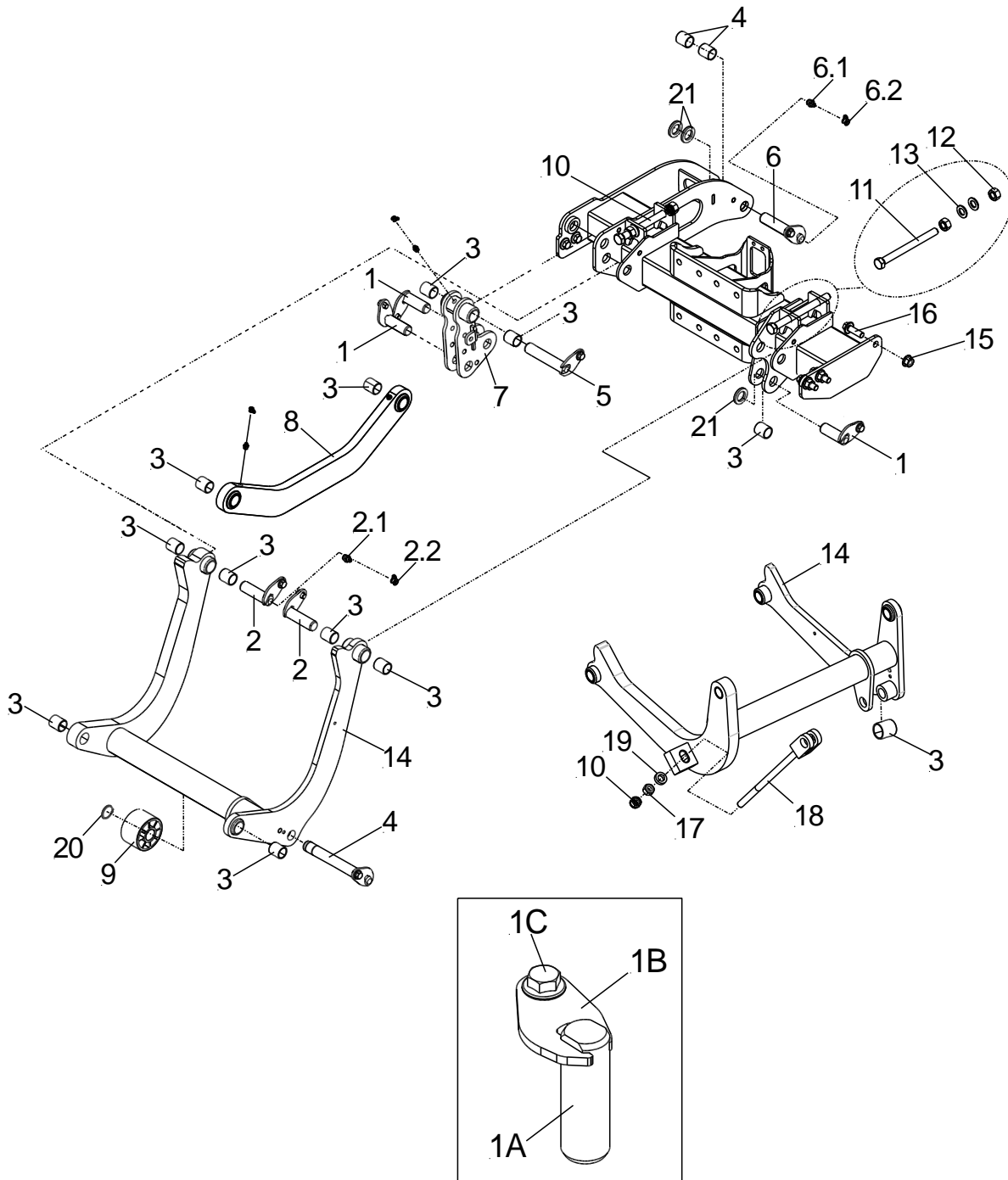
Tilt Cylinder Next
to Mount Frame



Two-Piece Platform
Liftgate

1 Mount Frame

1.1 Single Piece Platform Frame

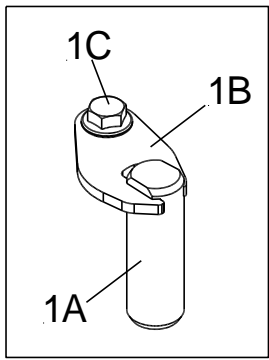
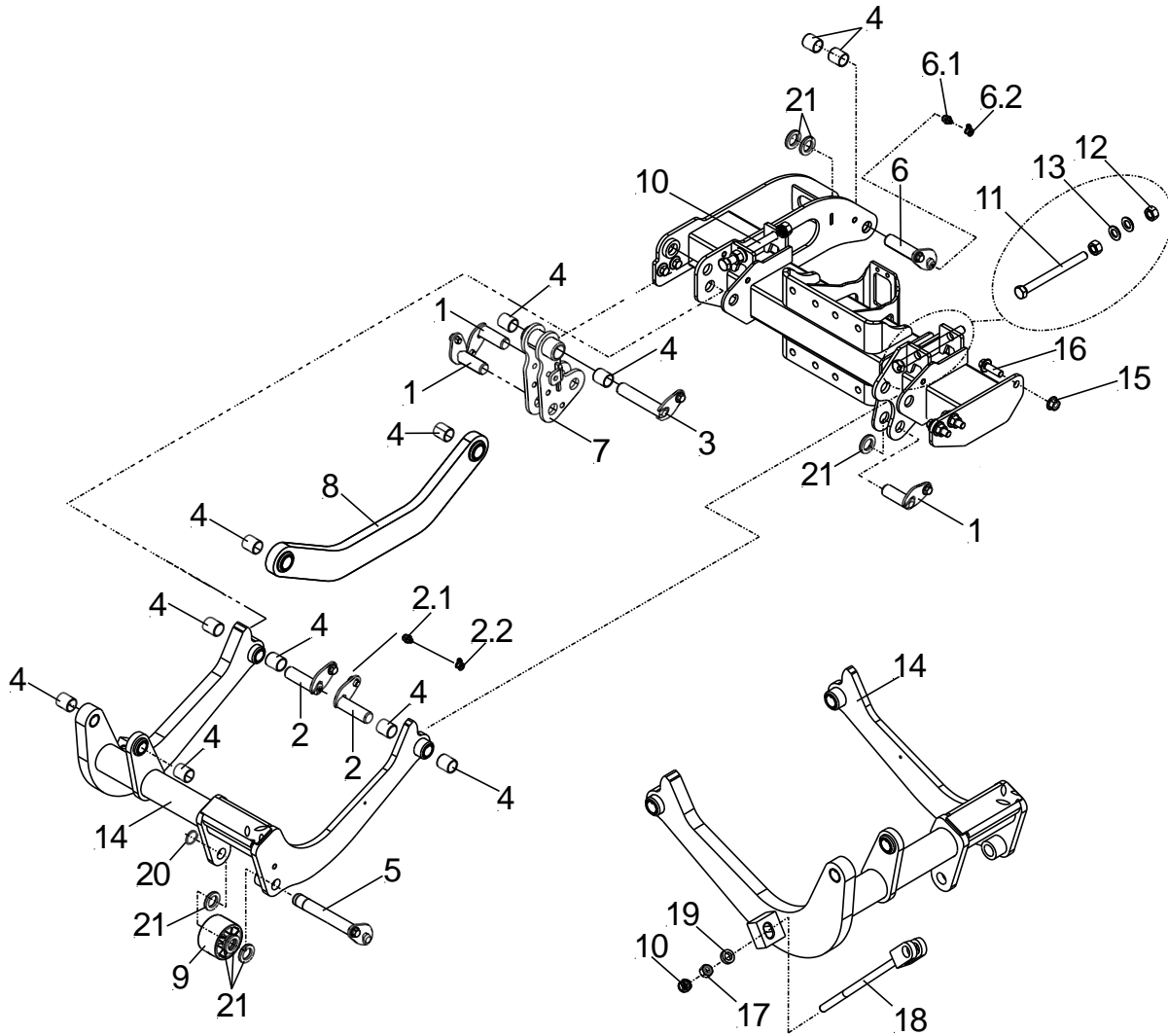


Palfinger Interlift, LLC.
15939 Piuma Ave, Cerritos, CA 90703
Tel: (888) 774-5844, Fax: (562) 924-8318

Palfinger Interlift, LLC.
572 Whitehead Road, Trenton, NJ 08619
Tel: (609) 587-4200, Fax: (609) 587-4201

1.1 - MOUNT FRAME – SINGLE PIECE PLATFORM			
NO.	DESCRIPTION	PART NO.	QTY.
1A	Pin, 25x75mm, Stainless Steel	2036456	3
1B	Pin Plate, Small	2028340	3
1C	Bolt, M12x12	2039049	3
2A	Pin, 25x90mm, Grease Zerk, Stainless Steel	2048353	2
2B	Pin Plate, Small	2028340	2
2C	Bolt, M12x12	2039049	2
2.1	Grease Zerk, M10x1	69064337	2
2.2	Cap, Red	1191680	2
3	Bushing, 25x29x31mm, Bronze	1403365	10
4A	Pin, 25x179mm, Stainless Steel	2041064	1
4B	Pin Plate, Small	2028340	1
4C	Bolt, M12x12	2039049	1
5A	Pin, 25x128mm, Stainless Steel	2040319	2
5B	Pin Plate, Small	2028340	2
5C	Bolt, M12x12	2039049	2
6A	Pin, 25x128mm, Grease Zerk, Stainless Steel	2048354	2
6B	Pin Plate, Small	2028340	2
6C	Bolt, M12x12	2039049	2
6.1	Grease Zerk, M10x1	69064337	2
6.2	Cap, Red	1191680	2
7	Shackle, Parallel Arm, Tilt Cylinder	2053405	1
8	Parallel Arm	2034701	1
9	Roller, 80x50x25mm	1217715	1
10	Nut, Nylock, M16	1150492	1
11	Hex Head Cap Screw M16x180mm	2040559	2
12	Nut, M16	1026311	2
13	Washer, Flat, 17mm	68186307	4
14	Liftarm Assembly (Single Piece Platform, No Pull Bar)	2034708	1
	Liftarm Assembly (Single Piece Platform, with Pull Bar)	2045972	1
15	Nut, Flange, M14x1.5, ST-10.9 DIN 6927	EM 711	6
16	Bolt, Flange, M14x1.5x45mm, ST-10.9 DIN 6927	ES1588	6
17	Jam Nut, M16	1026311	1
18	Pull Bar	2048207	1
19	Spacer, M16	6724172	1
20	Retaining Ring, 25x1,2	10280003	1

1.2 Two Piece Platform Mount Frame

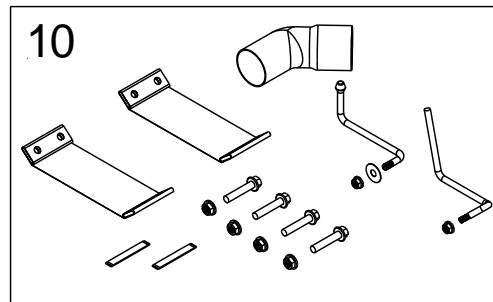
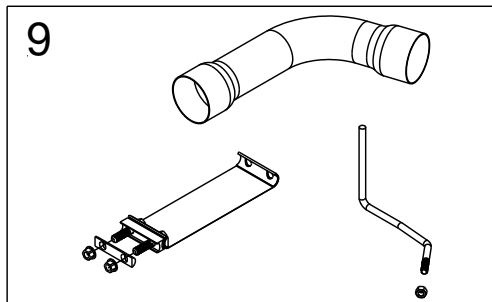
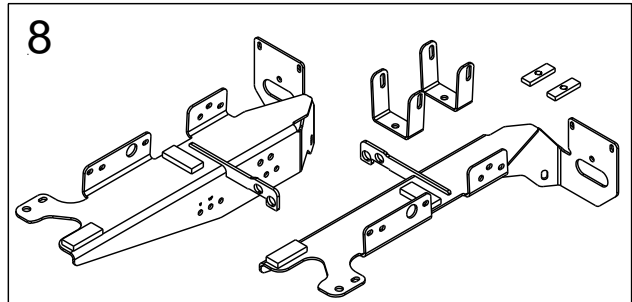
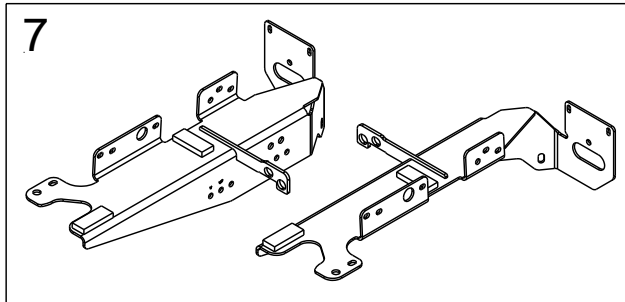
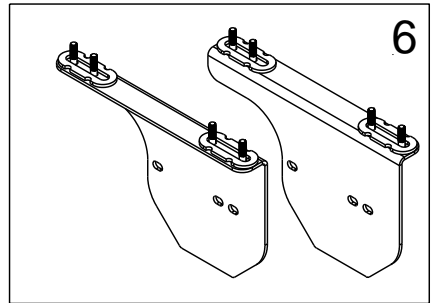
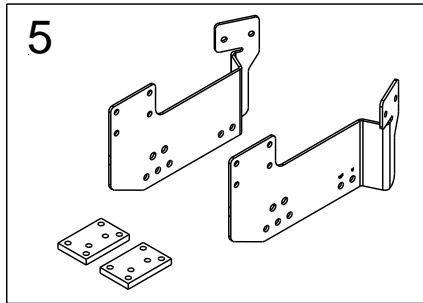
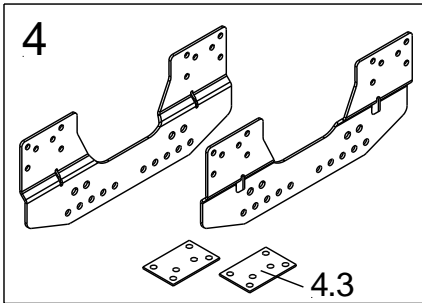
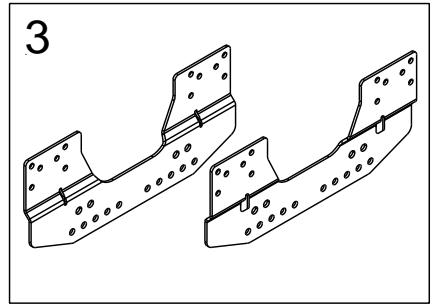
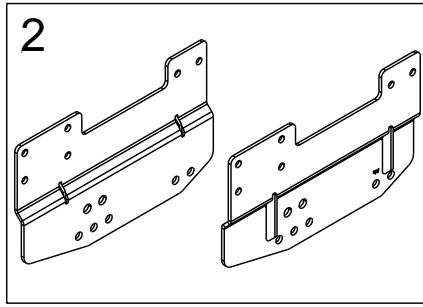
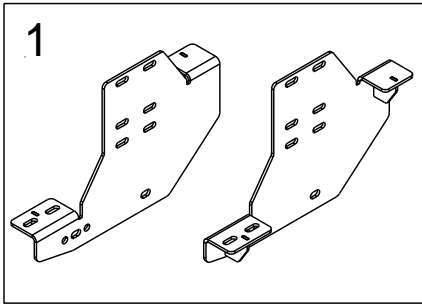


Palfinger Interlift, LLC.
15939 Piuma Ave, Cerritos, CA 90703
Tel: (888) 774-5844, Fax: (562) 924-8318

Palfinger Interlift, LLC.
572 Whitehead Road, Trenton, NJ 08619
Tel: (609) 587-4200, Fax: (609) 587-4201

1.2 - MOUNT FRAME – TWO PIECE PLATFORM			
NO.	DESCRIPTION	PART NO.	QTY.
1A	Pin, \varnothing 25x75mm, Stainless Steel	2036456	3
1B	Pin Plate, Small	2028340	3
1C	Bolt, M12x12	2039049	3
2A	Pin, \varnothing 25x90mm, Grease Zerk, Stainless Steel	2048353	2
2B	Pin Plate, Small	2028340	2
2C	Bolt, M12x12	2039049	2
2.1	Grease Zerk, M10x1	69064337	2
2.2	Cap, Red	1191680	2
3A	Pin, \varnothing 25x128mm, Stainless Steel	2040319	1
3B	Pin Plate, Small	2028340	1
3C	Bolt, M12x12	2039049	1
4	Bushing, 25x29x31mm, Plastic	2039186	10
5A	Pin, \varnothing 25x205mm, Stainless Steel	2043195	1
5B	Pin Plate, Small	2028340	1
5C	Bolt, M12x12	2039049	1
6A	Pin, \varnothing 25x128mm, Grease Zerk, Stainless Steel	2048354	1
6B	Pin Plate, Small	2028340	1
6C	Bolt, M12x12	2039049	1
6.1	Grease Zerk, M10x1	69064337	2
6.2	Cap, Red	1191680	2
7	Shackle, Parallel Arm, Tilt Cylinder	2039443	1
8	Parallel Arm, 500mm	2034701	1
9	Roller, 80x50x25mm	1217715	1
10	Nut, Nylock, M16	1150492	1
11	Hex Head Cap Screw M16x180mm	2040559	2
12	Nut, M16	1026311	2
13	Washer, Flat, 17mm	68186307	4
14	Liftarm Assembly (Two Piece Platform, Large Step)	2049652	1
	Liftarm Assembly (Two Piece Platform, Small Step)	2049654	1
15	Nut, Flange, M14x1.5, ST-10.9 DIN 6927	EM 711	6
16	Bolt, Flange, M14x1.5x45mm, ST-10.9 DIN 6921	ES1588	6
17	Jam Nut, M16	1026311	1
18	Pull Bar	2048207	1
19	Spacer, M16	6724172	1
20	Retaining Ring, 25x1,2	10280003	1

2 Mount Plate Kits

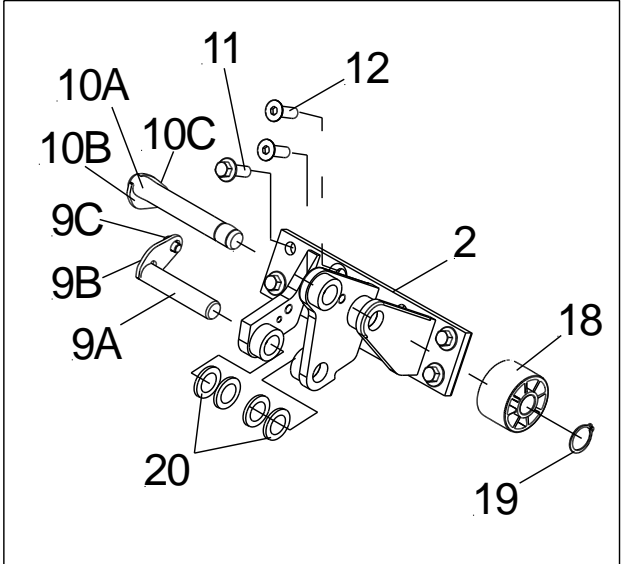
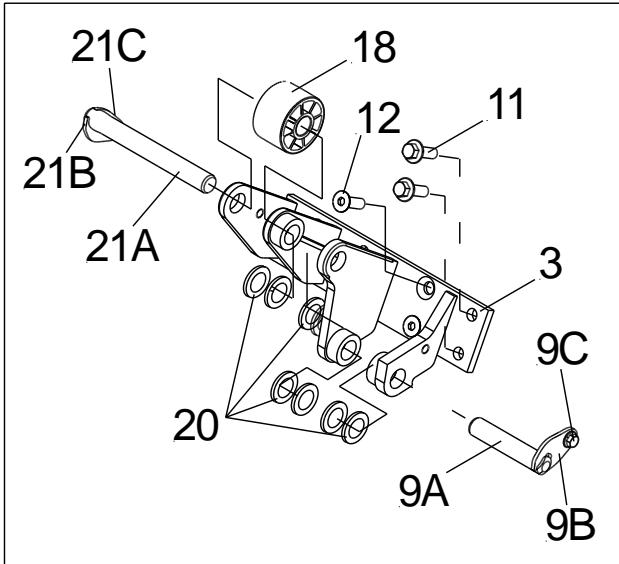
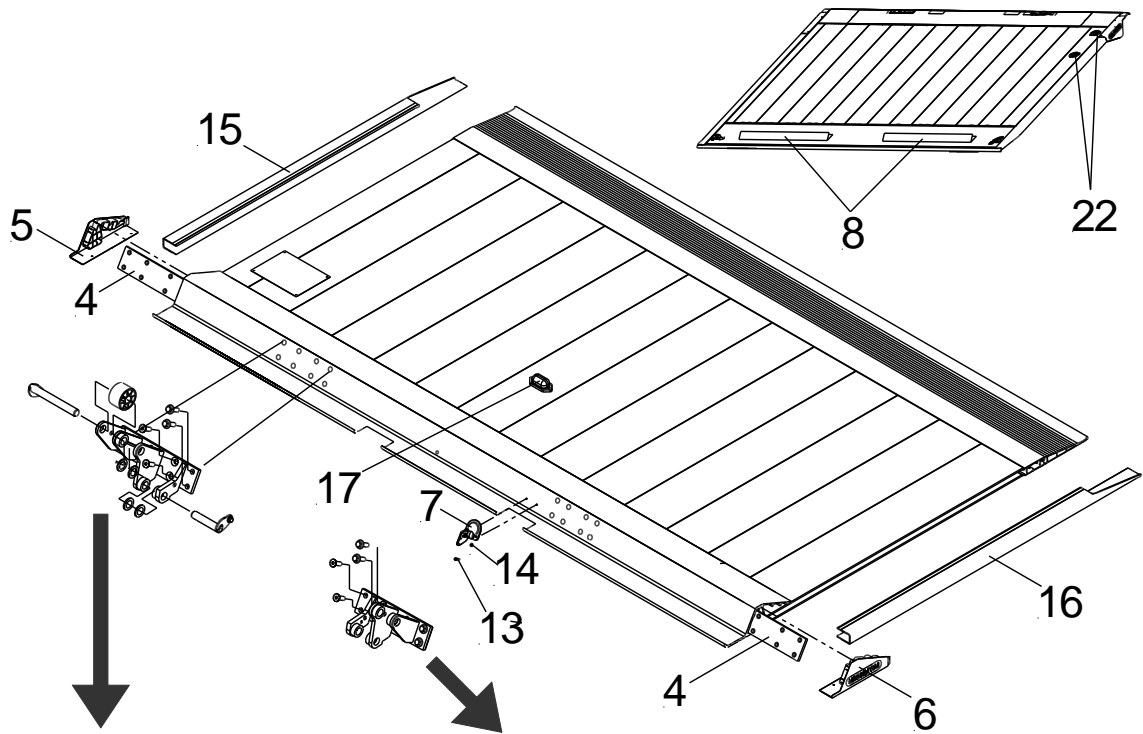


NOTE: All mount plate kits are backwards compatible to the previous Minifix Liftgate version.

Contact technical support if there are any questions.

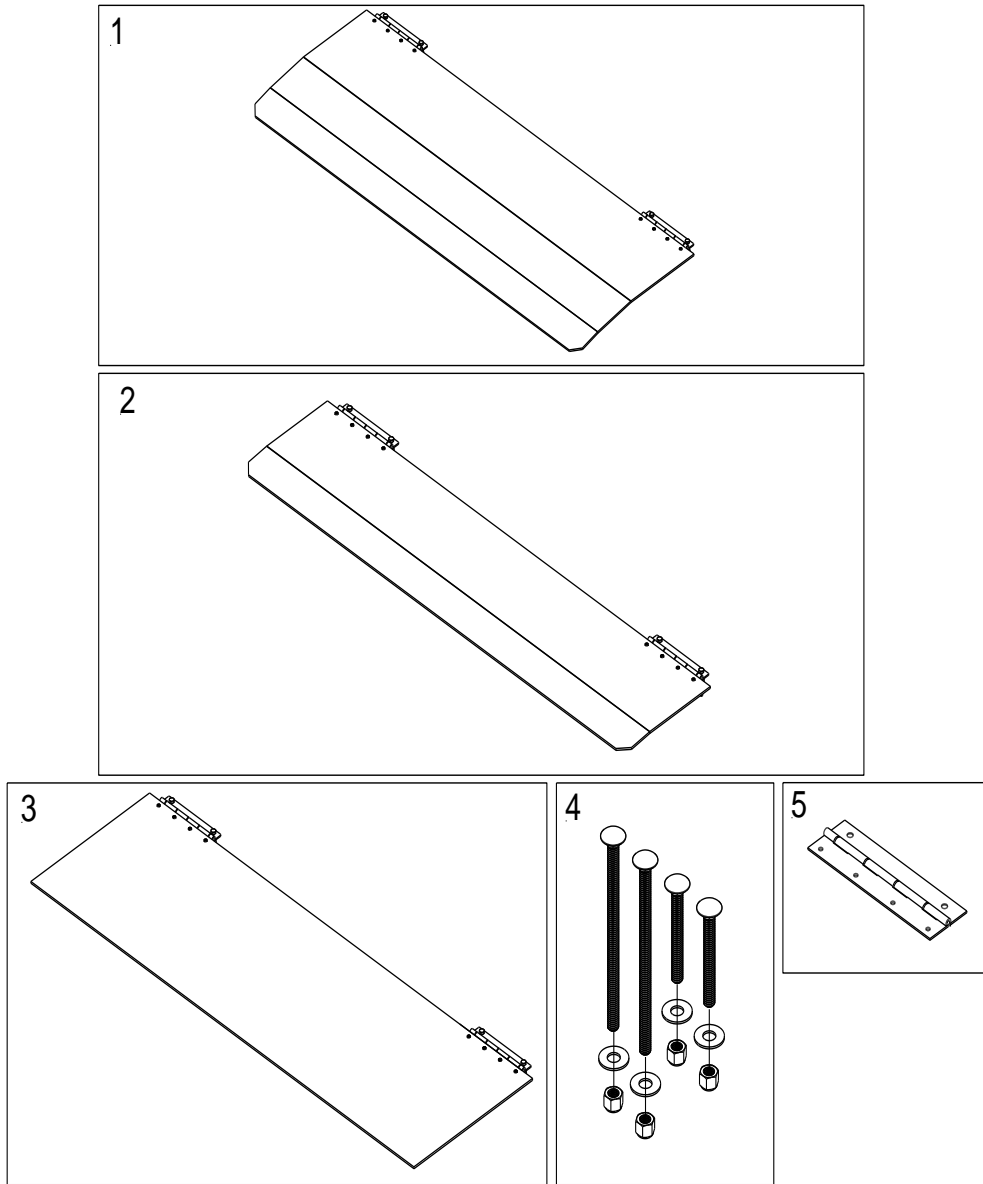
2 – MOUNT PLATE KITS			
NO.	DESCRIPTION	PART NO.	QTY.
1	Mount Plate Kit, Ford Transit, 130"/148" Wheelbase	65-0915-011	1
1.1	Mount Plate, Left	2042447	1
1.2	Mount Plate, Right	2042448	1
1.3	Mounting Hardware (Not Shown)	2037025	1
2	Mount Plate Kit, Mercedes Sprinter, 128" WB	65-0915-007	1
2.1	Mount Plate, Left	2042431	1
2.2	Mount Plate, Right	2042433	1
2.3	Mounting Hardware (Not Shown)	2004579	1
3	Mount Plate Kit, Mercedes Sprinter, 144"/170" WB	65-0915-008	1
3.1	Mount Plate, Left & Right	2046997	1
3.2	Mounting Hardware (Not Shown)	2004579	1
4	Mount Plate Kit, Mercedes Sprinter, 144"/170" WB, Single Rear Wheels	65-0915-009	1
4.1	Mount Plate, Left & Right	2046997	1
4.2	Mounting Hardware (Not Shown)	2004579	1
4.3	Spacer Plates, Steel	2012762	4
5	Mount Plate Kit, Mercedes Sprinter, 144"/170" WB, Dual Rear Wheels	65-0915-010	1
5.1	Mount Plate, Left	2042437	1
5.2	Mount Plate, Right	2042439	1
5.3	Mounting Hardware (Not Shown)	2012768	1
5.4	Spacer Plates, Nylon	2012760	2
6	Mount Plate Kit, Nissan NV, 156" WB	65-0915-014	1
6.1	Mount Plate, Left	65-0915-019	1
6.2	Mount Plate, Right	65-0915-020	1
6.3	Hex Head Cap Screw, M12x1.25x50mm	ES3425	8
6.4	Washer, Split Lock, M12	EK2806	8
7	Mount Plate Kit, Dodge Promaster, 136"/159" WB, Non Extended	65-0915-012	1
7.1	Mount Plate, Left	2042424	1
7.2	Mount Plate, Right	2042422	1
7.3	Mounting Hardware (Not Shown)	2042429	1
8	Mount Plate Kit, Dodge Promaster, 159" WB, Extended	65-0915-013	1
8.1	Mount Plate, Left	2042424	1
8.2	Mount Plate, Right	2042422	1
8.3	Mounting Hardware (Not Shown)	2042429	1
8.4	Bracket, Long, Mounting Support	65-0915-002	2
8.5	Threaded Plate	2012794	2
8.6	Hex Head Cap Screw, M14x1.5x25mm	ES025	2
9	Exhaust Modification Kit, Dodge Promaster, 136" Wheelbase	60-0916-001	1
10	Exhaust Modification Kit, Dodge Promaster, 159" Ext. Wheelbase	60-0914-000	1

3 **Single Piece Platform**



3 – SINGLE PIECE PLATFORM			
NO.	DESCRIPTION	PART NO.	QTY.
1	Platform Assembly	4MINIFIX-500	1
2	Clevis, Right	1355273	1
3	Clevis, Left	2048205	1
	Clevis, Left (No Pull Bar, 2019-2020)	1355282	1
4	Threaded Plate	1355233	2
5	Cover, Left, Plastic	2043805	1
6	Cover, Right, Plastic	2043804	1
7	Sensor Bracket, Plastic	2019337	1
8	Cart Stops	2043754	1
9A	Pin, ø25mmx128mm, SS	2040319	2
9B	Pin Plate, Small	2028340	2
9C	Bolt, M12x12mm	2039049	2
10.1A	Pin, ø25mmx179mm, SS	2041064	1
10.1B	Pin Plate, Small	2028340	2
10.2C	Bolt, M12x12	2039049	2
11	Hex Head Cap Screw, Flanged, M14x40mm, St 10.9	2032710	12
12	Countersink Bolt, M14x35mm, St 10.9	1355399	4
13	Hex Head Cap Screw, M5x16mm	66783375	2
14	Washer, M5	10274046	2
15	Side Cover, Left Side	2044232	1
16	Side Cover, Right Side	2044231	1
17	License Plate LED Light, White	60-8115-200	1
18	Roller, 80x50x25mm	1217715	2
19	Retaining Ring, 25mm x 1.2mm	10280003	2
20	Washer, Plastic, 40mm x 26mm x 4mm	2021118	12
21A	Pin, ø25mmx205mm, SS	2043195	2
21B	Pin Plate, Small	2028340	1
21C	Bolt, M12x12	2039049	1
22	Foot Controls	1330945	2

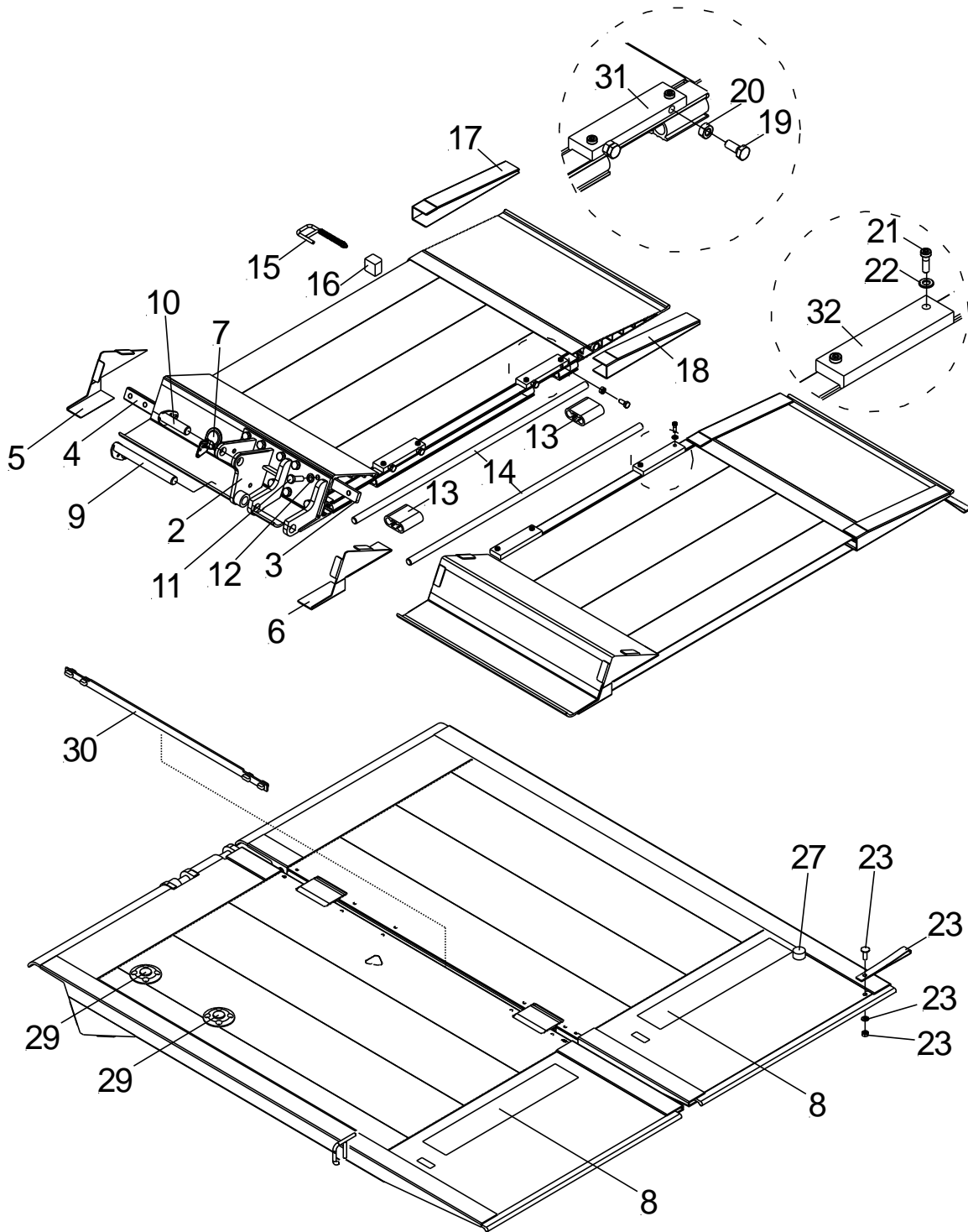
4 Single Piece Platform Ramps



4 – RAMPS			
NO.	DESCRIPTION	PART NO.	QTY.
1	Ramp Assy. Kit, Transit/Promaster, 58"W x 21"D	2037339	1
2	Ramp Assy. Kit, Mercedes Sprinter, 58"W x 13" D	2028555	1
3	Ramp Assy. Kit, Nissan NV, 53"W x 17.5" D	65-0912-060	1
4	Ramp Hardware Kit	65-0918-070	1

NOTES

5 Two-Piece Platform

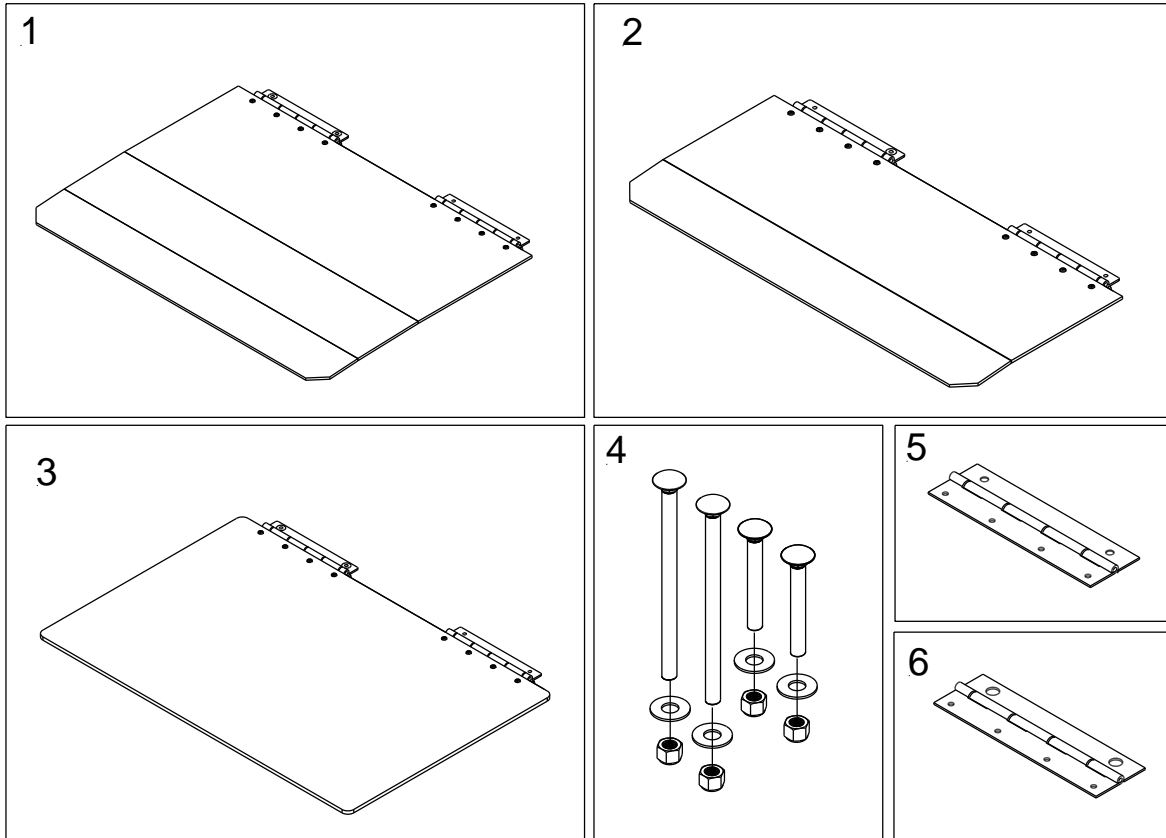


Palfinger Interlift, LLC.
15939 Piuma Ave, Cerritos, CA 90703
Tel: (888) 774-5844, Fax: (562) 924-8318

Palfinger Interlift, LLC.
572 Whitehead Road, Trenton, NJ 08619
Tel: (609) 587-4200, Fax: (609) 587-4201

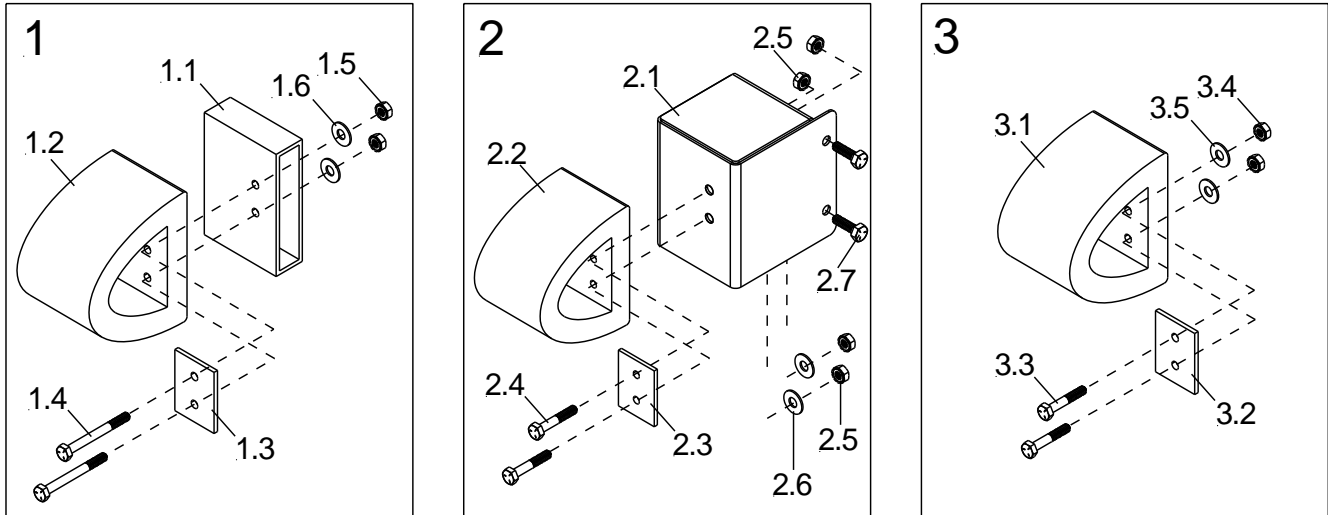
5– TWO-PIECE PLATFORM			
NO.	DESCRIPTION	PART NO.	QTY.
1	Platform Assembly	4MINIFIX-500-SPL	1
2	Clevis	2048965	1
3	Threaded Plate, Top	2049777	1
4	Threaded Plate, Bottom	2049776	1
5	Cover, Left, Alum.	2019032	1
6	Cover, Right, Alum.	2019033	1
7	Sensor Bracket, Plastic	2019337	1
8	Cart Stops	2043754	2
9A	Pin, 25x245mm, Stainless Steel	2049601	1
9B	Pin Plate	2028340	1
9C	Bolt, M12x16	2039050	1
10A	Pin, 25x110mm, Stainless Steel	2036454	1
10B	Pin Plate	2028340	1
10C	Bolt, M12x12	2039049	1
11	Hex Head Cap Screw M14x1.5x45mm	ES1588	10
12	Lock Washer, M14	1355380	10
13	Hinge	2049774	2
14	Hinge, Pin, ø20mmx940mm L	2049779	2
15	Spring Latch	2050563	1
16	Spring Latch Locking Block	2050566	1
17	Cover, Tip, Left, Alum	2050911	1
18	Cover, Tip, Right, Alum	2050908	1
19	Hex Head Bolt, M10x25mm	66125262	4
20	Nut, M10	1042182	4
21	Button Head Bolt, M8x25mm	66310809	8
22	Flat Washer,	1004182	8
23	Handle Strap	1201681	1
24	Bolt, Carriage, M8x20mm	2023828	1
25	Washer, M8	EK2929	1
26	Nut, M8	60820511	1
27	Bumper	1410262	1
28	Warning Light	2019307	2
29	Foot Control	1330945	2
30	Bridge Spacer	2050596	1
31	Stop Block, (Fixed Platform Section)	2049778	2
32	Stop Block (Folding Platform Section)	2050479	2

6 Two-Piece Platform Ramps



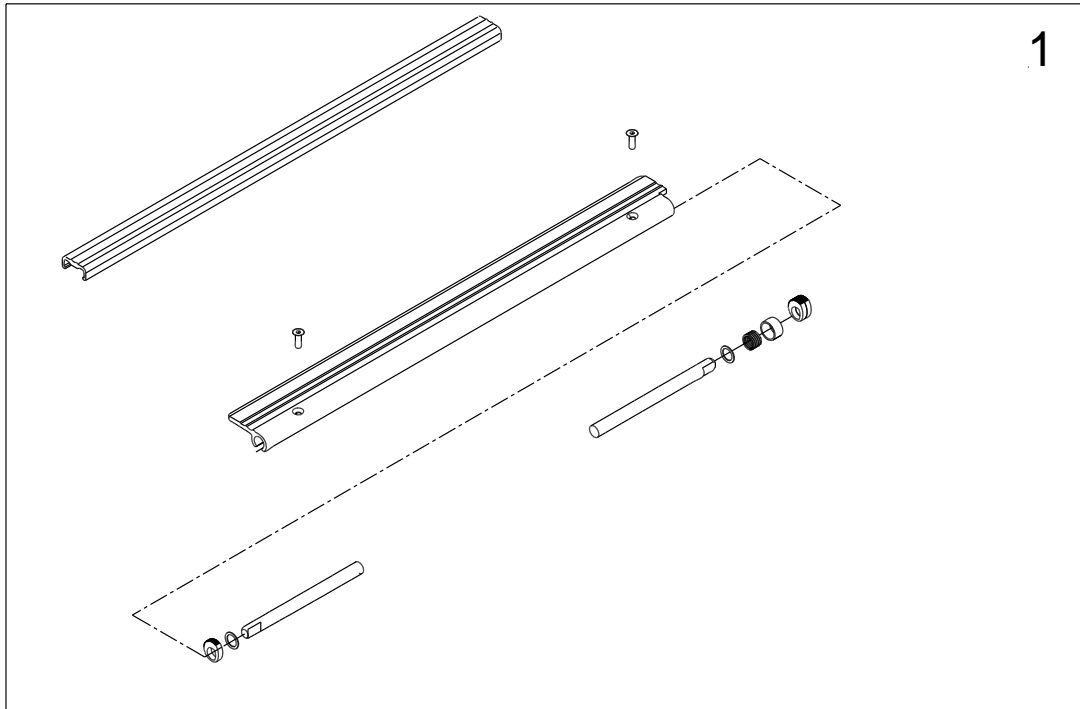
6 – TWO-PIECE PLATFORM RAMPS			
NO.	DESCRIPTION	PART NO.	QTY.
1	Ramp Assy. Kit, Transit/Promaster, 28.7”W x 21”D	2050405	1
2	Ramp Assy. Kit, Sprinter, 28.7”W x 13”D	2050404	1
3	Ramp Assy. Kit, Nissan NV, ”28.7W x 17.5”D	23-0919-000	1
4	Ramp Hardware Kit	65-0918-070	1

7 Platform Bumpers (Discontinued 2019)

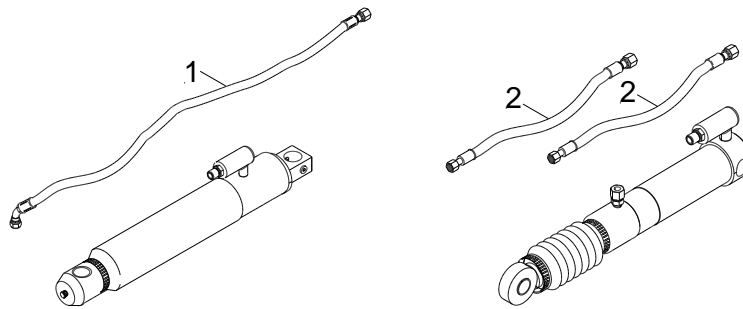


7 – PLATFORM BUMPERS			
NO.	DESCRIPTION	PART NO.	QTY.
1	D-Bumper Kit, Dodge Promaster	65-0918-040	1
1.1	Tube Spacer, Alum, 3.00"x4.00"X1.00"	65-0918-032	1
1.2	D-Bumper, Rubber, 4.25"x2.75"x3.75"	65-0918-031	1
1.3	Plate, Alum, Reinforcement	65-0918-033	1
1.4	Hex Head Cap Screw, ¼-20x2.50"	ES4051	2
1.5	Nut, External Teeth, ¼-20	EM766	2
1.6	Washer, Flat, ¼"	EK3218	4
2	D-Bumper Kit, Nissan	65-0918-050	1
2.1	Spacer, Weldment	65-0915-026	1
2.2	D-Bumper, Rubber, 4.25"x2.75"x3.75"	65-0918-031	1
2.3	Plate, Alum, Reinforcement	65-0918-033	1
2.4	Hex Head Cap Screw, ¼-20x1.50", Gr. 5, Zinc	ES3651	2
2.5	Nut, External Teeth, ¼-20, Zinc	EM766	4
2.6	Washer, Flat, ¼"	EK3218	4
2.7	Hex Head Cap Screw, ¼-20x3/4", Gr. 5, Zinc	99-8813-101	2
3	D-Bumper Kit, Mercedes Sprinter/Ford Transit	65-0918-060	1
3.1	D-Bumper, Rubber, 4.25"x2.75"x3.75"	65-0918-031	1
3.2	Plate, Alum, Reinforcement	65-0918-033	1
3.3	Hex Head Cap Screw, ¼-20x1.50", Gr. 5, Zinc	ES3651	2
3.4	Nut, External Teeth, ¼-20	EM766	2
3.5	Washer, Flat, ¼"	EK3218	4

8 Platform Cart Stops

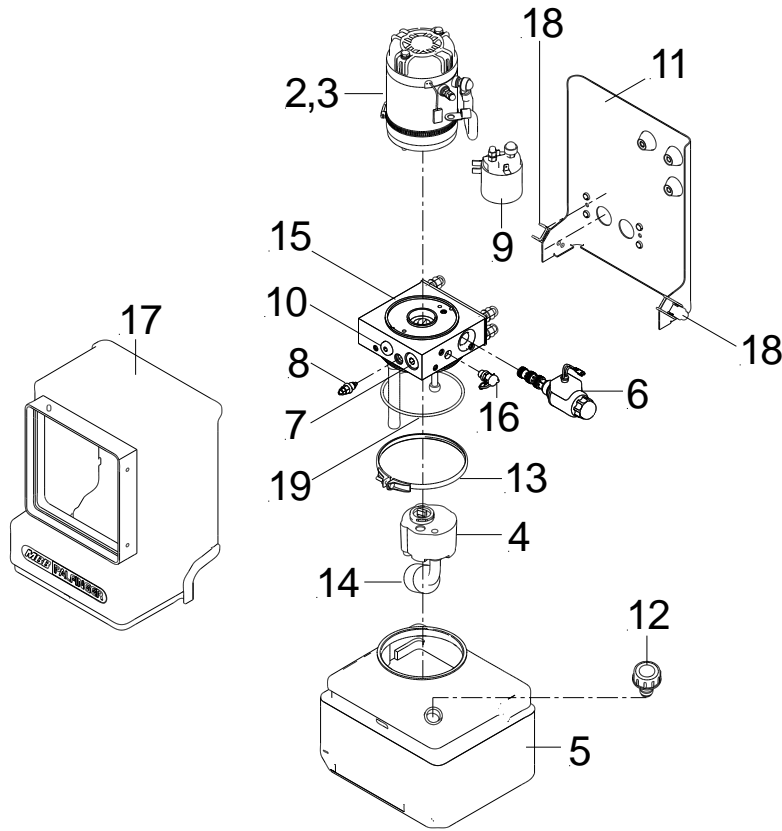


8 – CART STOPS			
NO.	DESCRIPTION	PART NO.	QTY.
1	Cart Stop Kit	2043754	1
1.1	Adjusting Washer, 19x26x1,0 DIN988	2015293	1
1.2	Profile, Cart Stop, 900mm L	2043761	1
	Profile, Cart Stop, 450mm L (Two-Piece Platform)	2049999	1
1.3	Pin, 18mmX198mm	2043755	1
1.4	Knurled Wheel	2029383	1
1.5	Spacer	2030548	1
1.6	Compression Spring	1335986	1
1.7	Countersunk Screw, M14X35mm	1355399	1
	Countersunk Screw, M14X16mm (Two-Piece Platform)	2035408	1
1.8	Profile, Base	2044229	1

9 **Hydraulic Hoses**

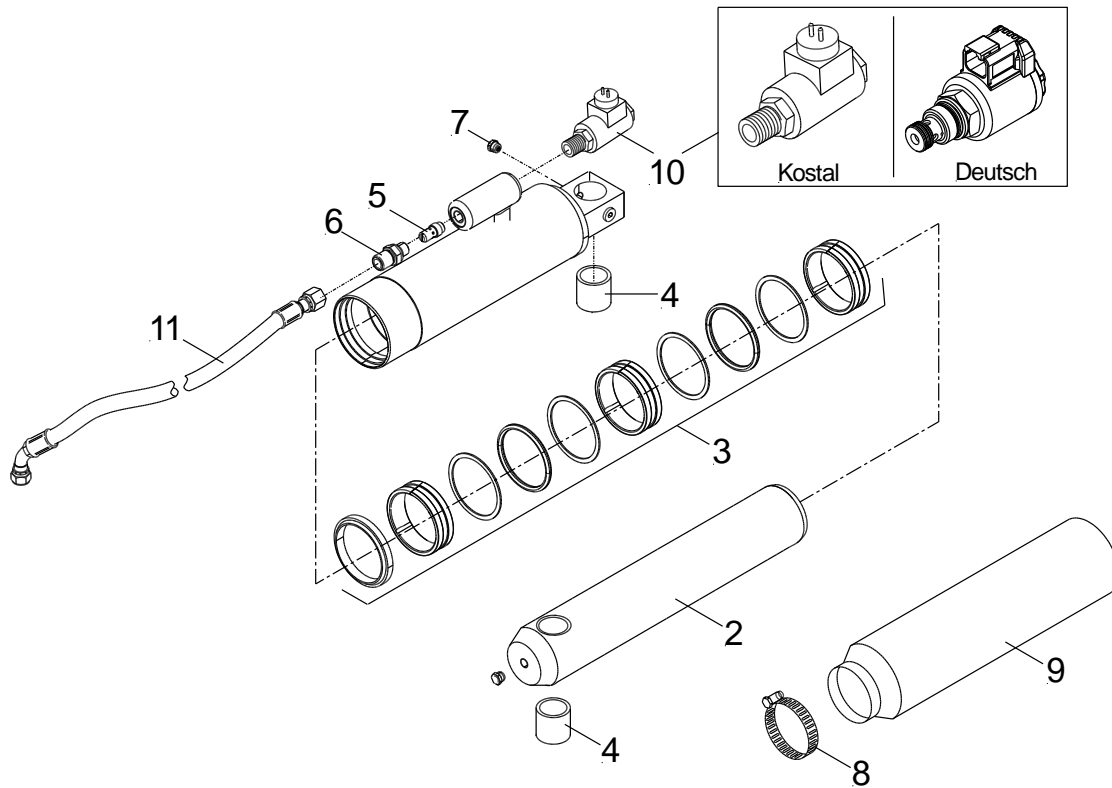
9 – HYDRAULIC HOSES			
NO.	DESCRIPTION	PART NO.	QTY.
1	High pressure hose, Lift Cylinder, 750mm [29.5"] Lg	2044088	1
2	High pressure hose, Tilt Cylinder, 500mm [19.7"] Lg	2035584	2

10 Power Pack



10 – POWER PACK			
NO.	DESCRIPTION	PART NO.	QTY.
1	Power Pack (Complete)	2046303	1
2	Motor 12V	2024445	1
3	Set Of Carbon Brushes	2024996	1
4	Gear Pump	2024446	1
5	Oil Tank, w/ O-Ring and Cap	2024447	1
6	Shift Valve 12V	2008647	1
7	Shuttle Valve	2005141	1
8	Pressure Limitation Valve	2005142	1
9	Motor Solenoid 12V	50-1118-009	1
10	Restrictor, 1L/Min	2032672	1
11	Rear Panel	2029245	1
12	Oil Tank Cap	2024998	1
13	Clamp	2024444	1
14	Pump Filter	2016993	1
15	Control Block	2025001	1
16	Pressure Gauge Connector	1405397	1
17	Power Pack Housing/Cover	2024443	1
18	Fastener/Lock	2018680	1
19	O-Ring	2009743	1

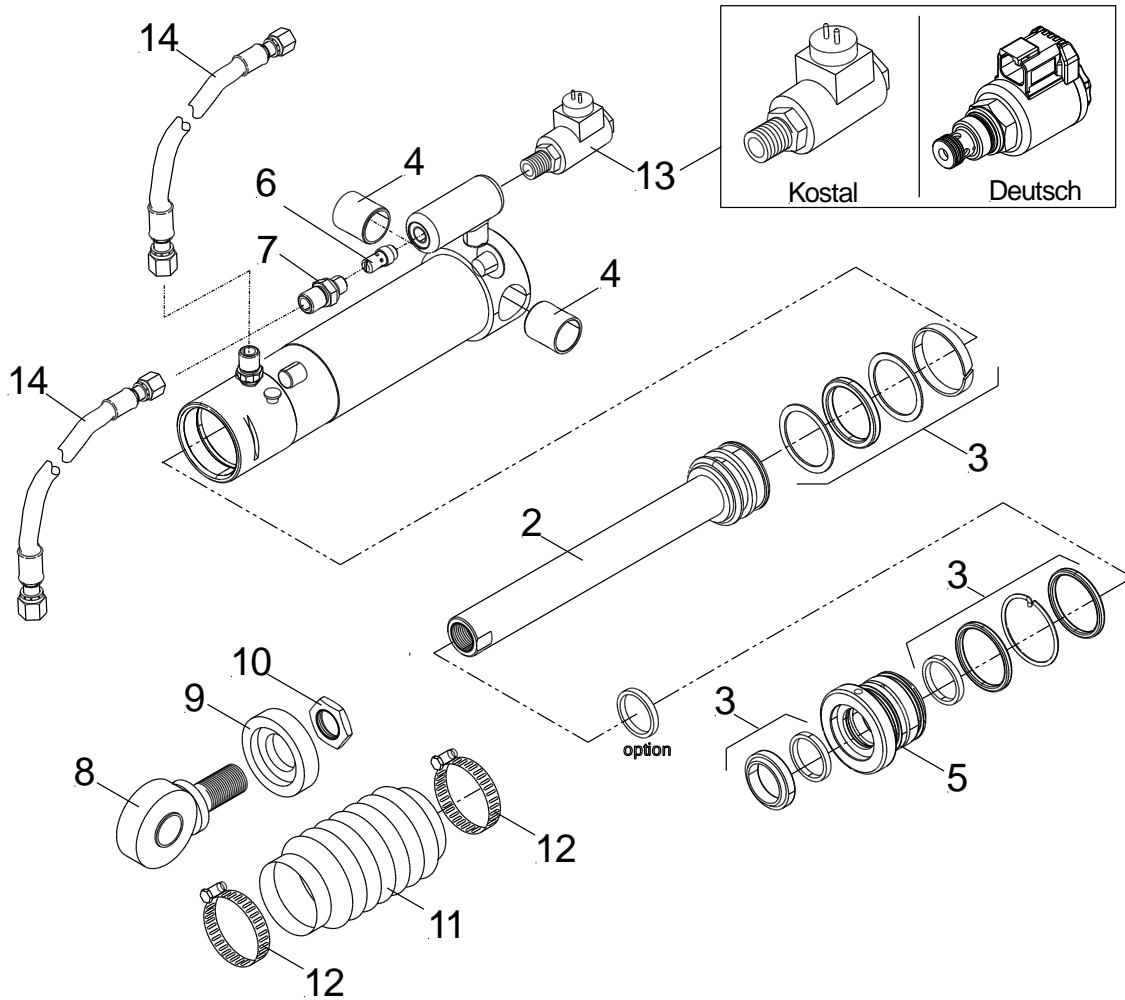
11 Lift Cylinder



11 – LIFT CYLINDER			
NO.	DESCRIPTION	PART NO.	QTY.
1	Lift Cylinder Assy, 63mm OD, 49mm ID	2039894	1
2	Piston Rod	2039896	1
3	Gasket Set, Lift Cylinder, Dia. 45mm	2021846	1
4	Bushing, 25x29x31, Plastic	2039186	2
5	Flow Control Valve, 1L/Min	1355899	1
6	Adapter, 1/4 x 10L, Hose Fitting	EA6236	1
7	Screw, M10x1, DIN 908	1214053	1
8	Clamp	68734916	1
9	Protective Tube	1134658	1
10*	Valve, Solenoid, 12V, Single Locking	67282345	1

*Item No.10 is sold separately and not included in Item 1.

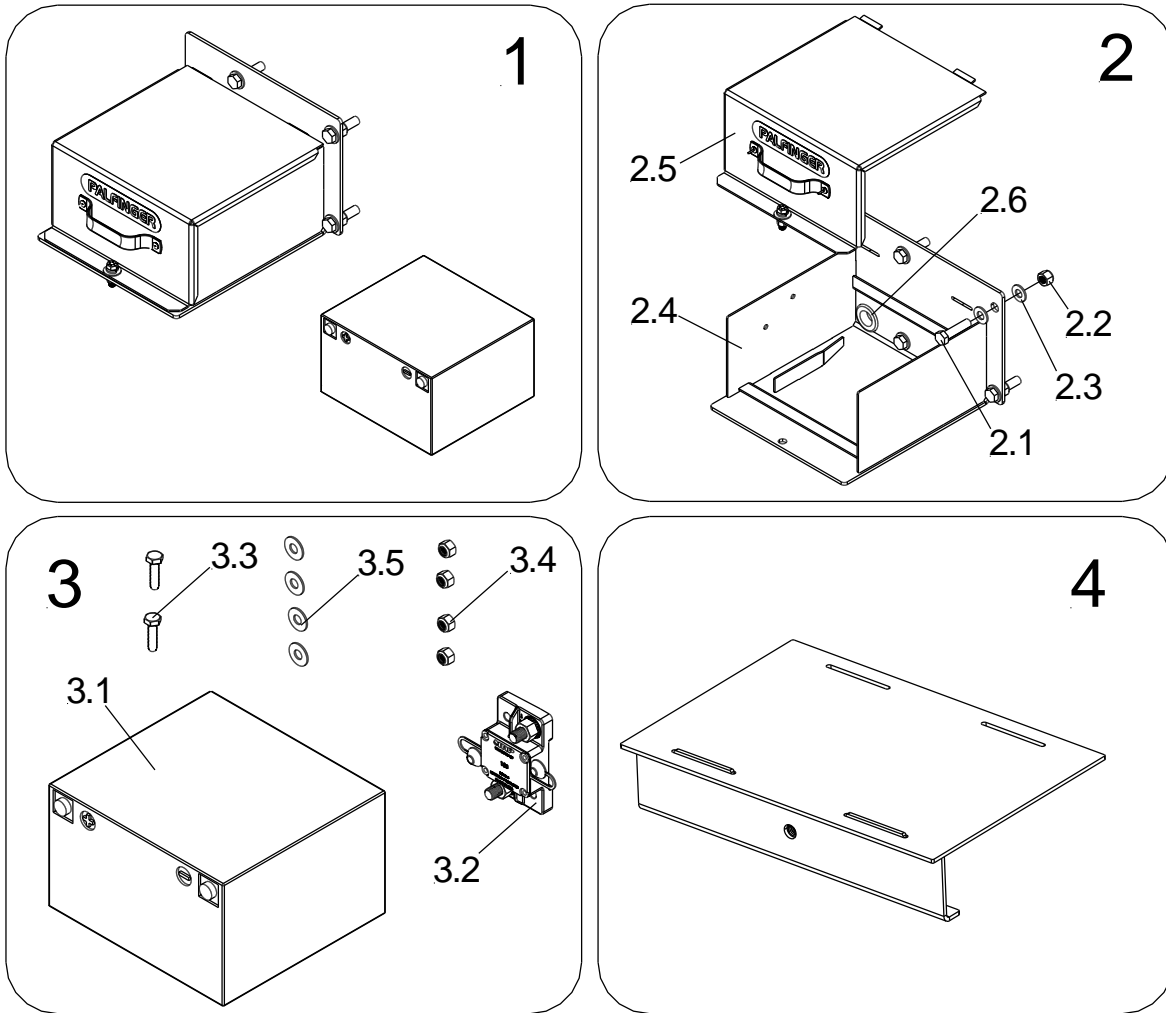
12 Tilt Cylinder



12 – TILT CYLINDER			
NO.	DESCRIPTION	PART NO.	QTY.
1	Tilt Cylinder Assy	2034854	1
2	Piston Rod	2039881	1
3	Gasket Set Tilt Cylinder Dia. 32mm	1330665	1
4	Bushing, 25x29x31mm, Plastic	2039186	2
5	End Plug	1137235	1
6	Restrictor, 2L/Min	1365484	1
7	Straight Connector	1188263	1
8	Piston Head	2039890	1
9	Ring	2043039	1
10	Nut, M24x2, DIN439	1168261	1
11	Bellows	2015821	1
12	Clamp	68430828	1
13*	Valve, Solenoid, 12V	2043856	1

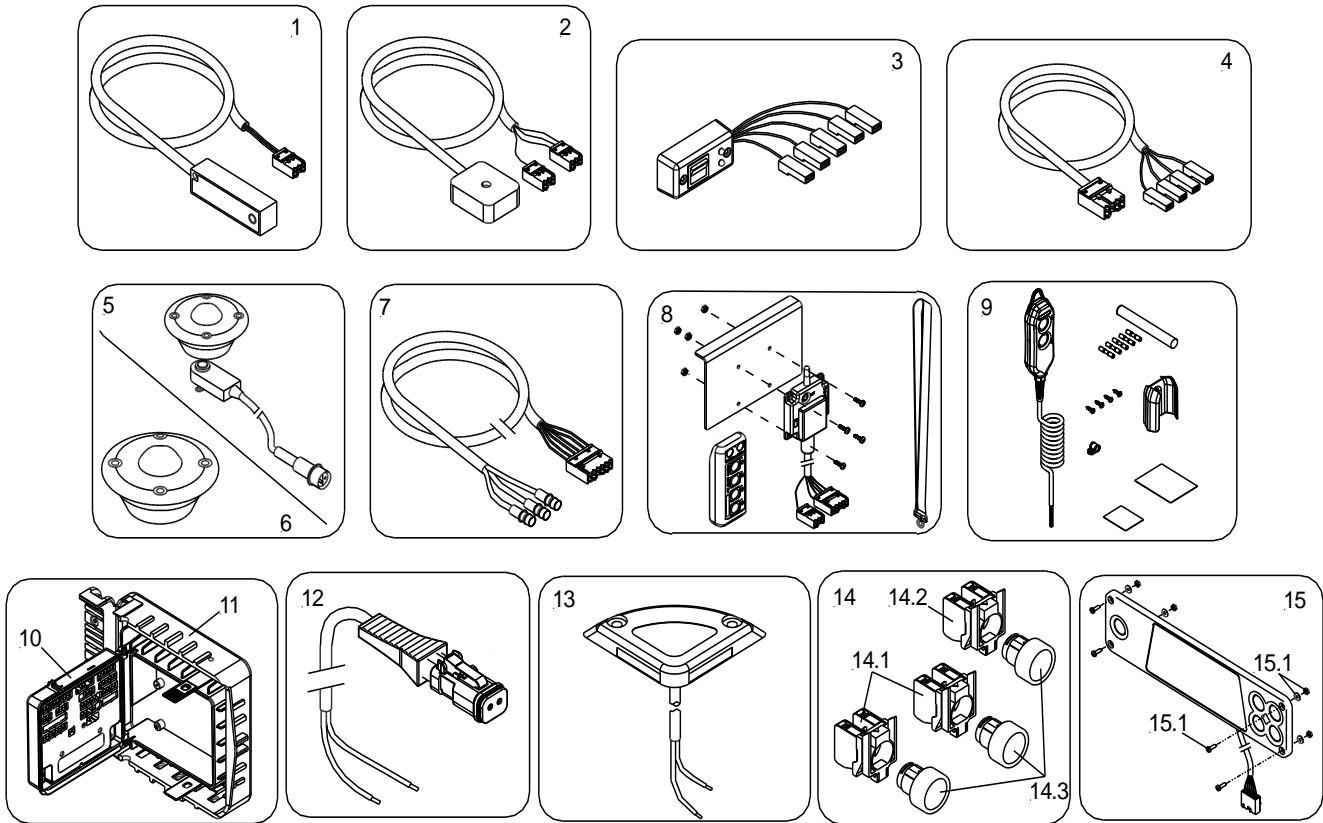
*Item No.13 is sold separately and not included in Item 1.

13 Electrical



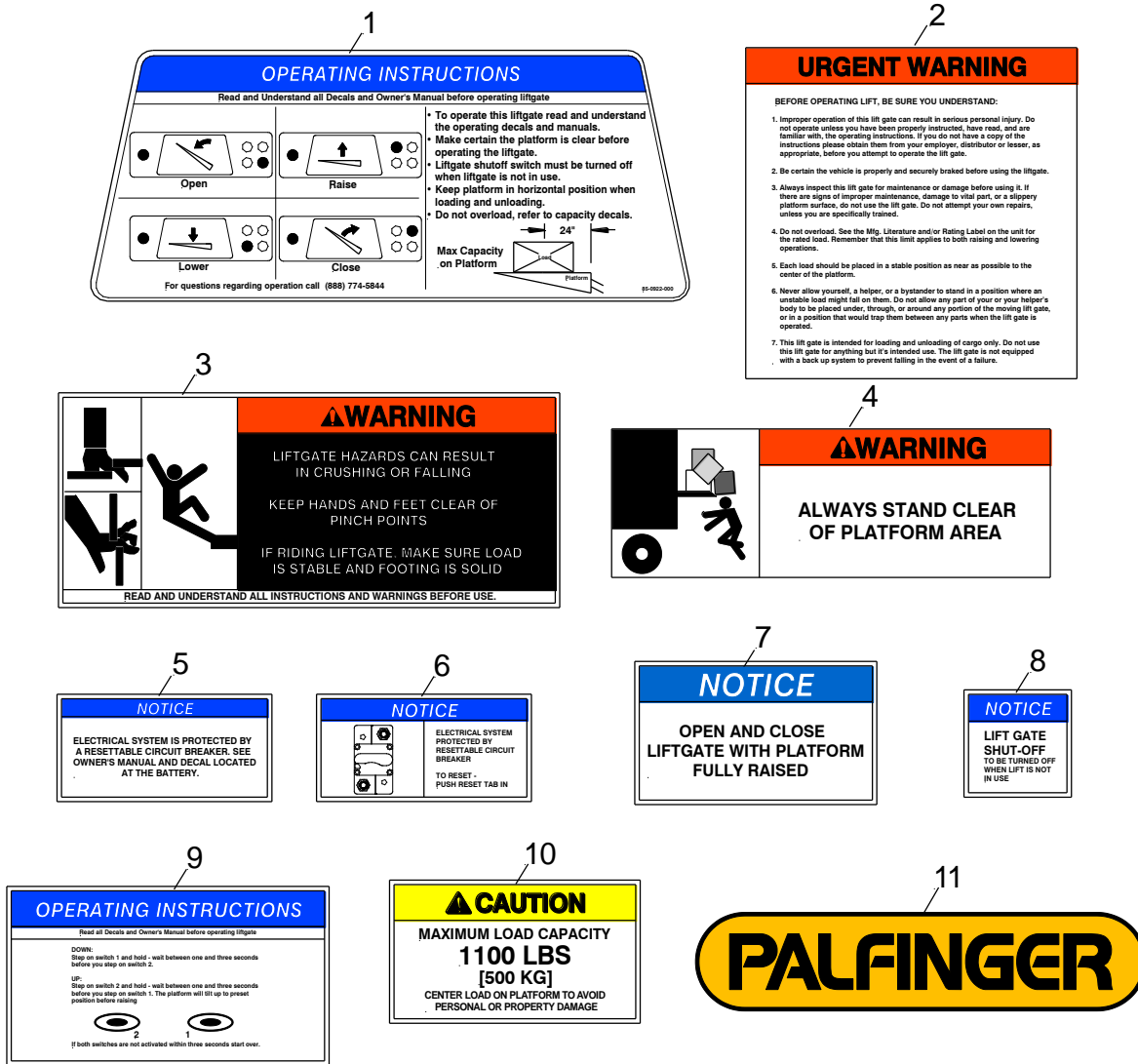
13 – ELECTRICAL			
NO.	DESCRIPTION	PART NO.	QTY.
1	Auxiliary Battery Kit (Includes Battery Box Kit And Battery Kit)	65-0918-020	1
2	Battery Box Kit, Base and Lid	65-0918-029	1
2.1	Hex Head Cap Screw, 1/2"-13 X 2"	ES3455	4
2.2	Nut, Nylock, 1/2"-13	EM-707	4
2.3	Washer, Flat, 1/2" SAE	EK2796	8
2.4	Battery Box Base, Weldment	65-0918-027	1
2.5	Battery Box Lid, Assembly	65-0918-028	1
2.6	Grommet, 1.375" ID, 3/16" MTL.	EK3790	1
3	Battery Kit	60-0918-000	1
3.1	Battery, 12V 55Ah, Seal Lead Acid (AGM)	60-8018-000	1
3.2	Circuit Breaker, 150A	70-8115-003	1
3.3	Hex Head Cap Screw, 1/4-20x1.0", Gr.5, Zinc	ES3443	2
3.4	Nut, Nylock, 1/4-20, Gr.5, Zinc	EM-713	2
3.5	Washer, Flat, 1/4" USS,Zinc	EK3218	4

14 Controls



14 – CONTROLS			
NO.	DESCRIPTION	PART NO.	QTY.
1	Sensor Switch, B13, 3-Wire (on Liftarm)	1332476	1
2	Sensor Switch, B16, 4-Wire, 2 Plug (on Platform), 2900mm L	2043309	1
3	Cab Cut Off Switch	1332494	1
4	Harness, PC-Board to Cab Switch, 8500mm (27.8 ft)	2015801	1
5	Foot Control, Button & Wire Harness (Optional)	1330945	1
6	Foot Control, Button	1405256	1
7	Wire Harness, Warning Led Lights, Foot Control, J3	1342776	1
8	Wireless Remote Control Kit, 4-Way	70-1115-000	1
9	Hand Held Remote Kit, 2-Button, Coil Cord	70-7519-020	1
10	PC Board, ECO	2029093A	1
11	Cover, 7x7, M-Board, Hinged	2029906	1
12	Cable Solenoid Valve, 4050mm (13.3 ft)	67254198	1
13	Warning Light, LED, Amber	2019307	2
14	Push Button Kit	2016045	1
14.1	Contact Block, (SE/HE), (SCHL/OEF)	67487710	2
14.2	Contact Block, (ZT)	67487729	1
14.3	Push Button	67476085	3

15 **Decals**



15 - DECALS			
NO.	DESCRIPTION	PART NO.	QTY.
1A	Operating Instructions (Horizontal Buttons)	85-0915-000	1
1B	Operating Instructions (Vertical Buttons)	85-0915-001	1
2	Urgent Warning Decal	ATG-URGWA	1
3	Warning- Liftgate Hazards	ATG-WLH	1
4	Warning- Stand Clear	ATG-PLAT	1
5	Electrical System	ATG-RESET	1
6	Circuit Breaker, Blue	ATG-BKR	1
7	Notice For Open And Close	ATG-OPENILD	1
8	Cab Shut Off	ATG-CAB	1
9	Foot Control Instructions (Optional)	ATG-FC	1
10	Liftgate Capacity	ATG-XXXX*	1
11	Palifinger Logo, Yellow	2038837	1

*XXXX = LIFTGATE CAPACITY (LBS) [EXAMPLE PART NUMBER: MLATG- 1100]

Palfinger Interlift, LLC.
 15939 Piuma Ave, Cerritos, CA 90703
 Tel: (888) 774-5844, Fax: (562) 924-8318

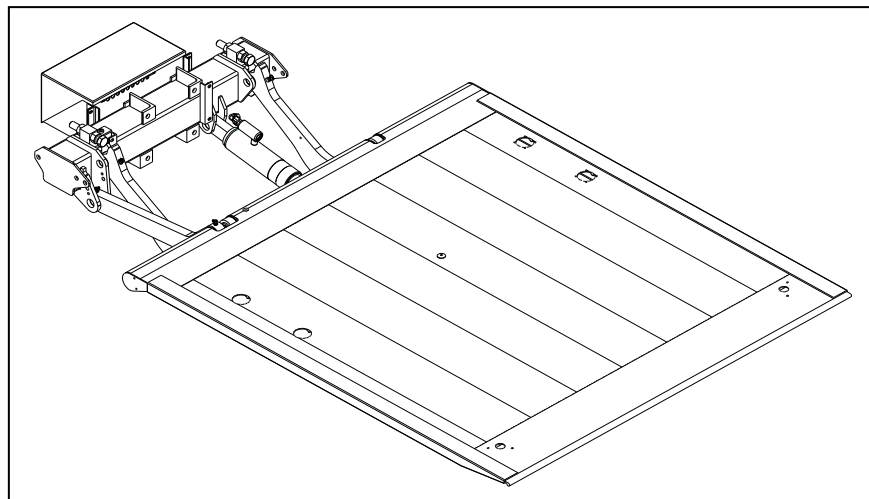
Palfinger Interlift, LLC.
 572 Whitehead Road, Trenton, NJ 08619
 Tel: (609) 587-4200, Fax: (609) 587-4201

1 Parts Manual - Prior December 2017



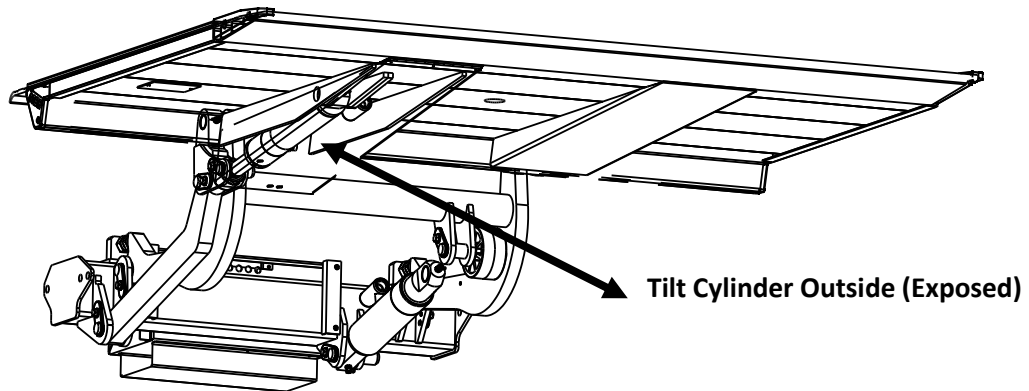
PARTS MANUAL
(Prior to Dec 2017)

MiniFix 1100, 1100 lbs. Capacity
MiniFix 1320, 1320 lbs. Capacity

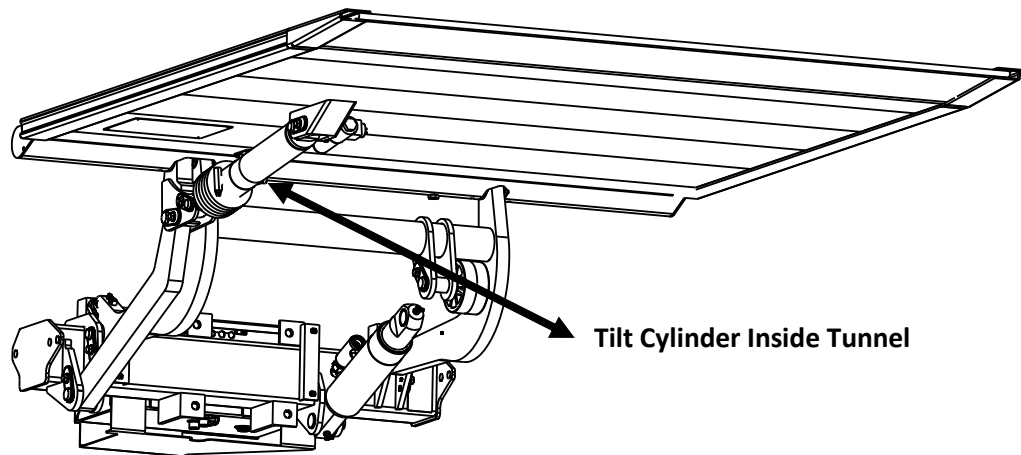


Overview

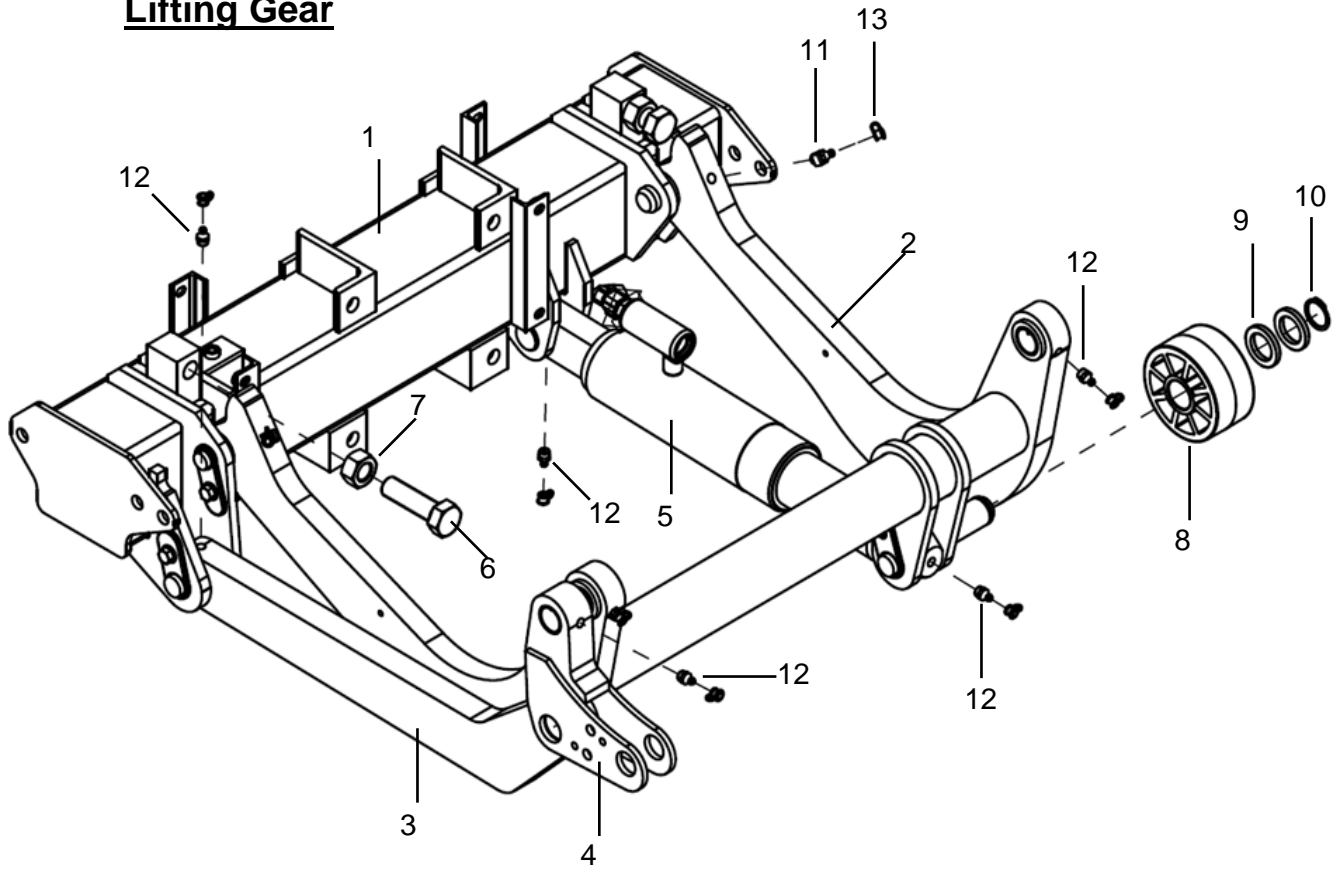
Until 2008

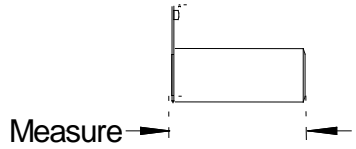


Until 2018



2 Lifting Gear

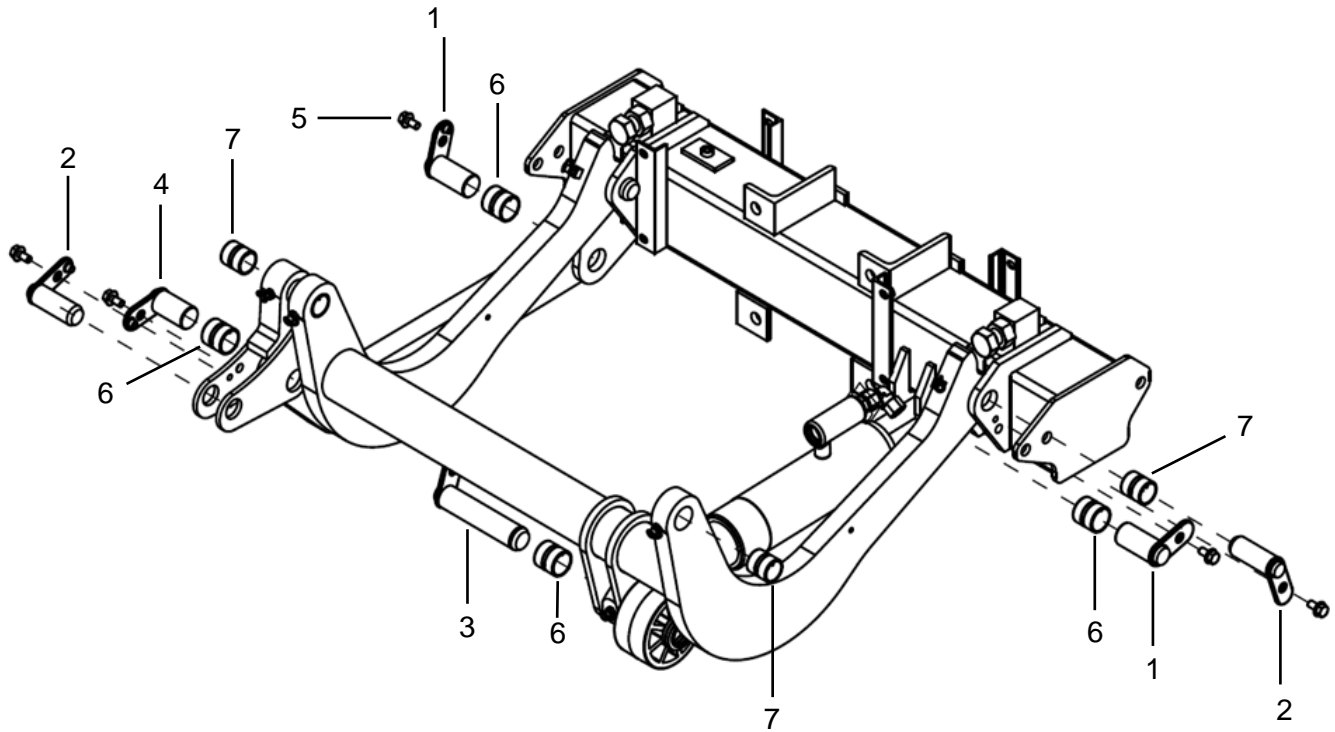


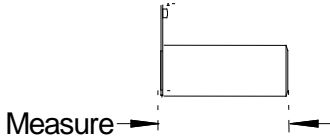


mm	Inch	Part No.	Bushings No.
25 x 74	1 x 2 ⁷ / ₈	P-1346229	P-1403365
28 x 58	1 ¹ / ₈ x 2 ³ / ₈	P-2002695	P-1403367
28 x 66	1 ¹ / ₈ x 2 ⁵ / ₈	P-2003652	P-1403367
28 x 135	1 ¹ / ₈ x 5 ³ / ₄	P-2002694	P-1403367

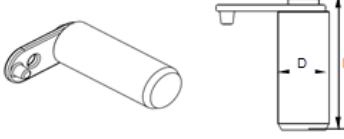
No.	Description	Part No.
1	Main frame	2005091
2	Lift arm	2005092
3	Parallel arm	2002722
4	Shackle, Rocker Plate	2005090
5	Lift cylinder	2002731
6	Hex head cap screw, M20 - 2.5 x 70 mm	2006121
7	Nut, M20 - 2.5	1044 248
8	Plastic wheel	1115195
9	Washer, flat, Ø 28 mm	1205232
10	Spring ring, Ø 28 mm	EQ 347
11	Grease zerk, 45°	1284493
12	Grease zerk, straight	2019653
13	Cap, for grease zerk	1191680

3 Pins and Bushings






mm	Inch	Part No.	Bushings No.
25 x 74	1 x 2 ⁷ / ₈	P-1346229	P-1403365
28 x 58	1 ¹ / ₈ x 2 ³ / ₈	P-2002695	P-1403367
28 x 66	1 ¹ / ₈ x 2 ⁵ / ₈	P-2003652	P-1403367
28 x 135	1 ¹ / ₈ x 5 ³ / ₄	P-2002694	P-1403367



mm (D x L)	Inch (D x L)	Part No.
25 x 74	1 x 2 ⁷ / ₈	P-1346229
28 x 55	1 ¹ / ₈ x 2 ³ / ₁₆	P-2002695
28 x 135	1 ¹ / ₈ x 5 ⁵ / ₁₆	P-2002694
28 x 153	1 ¹ / ₈ x 6	P-2003653



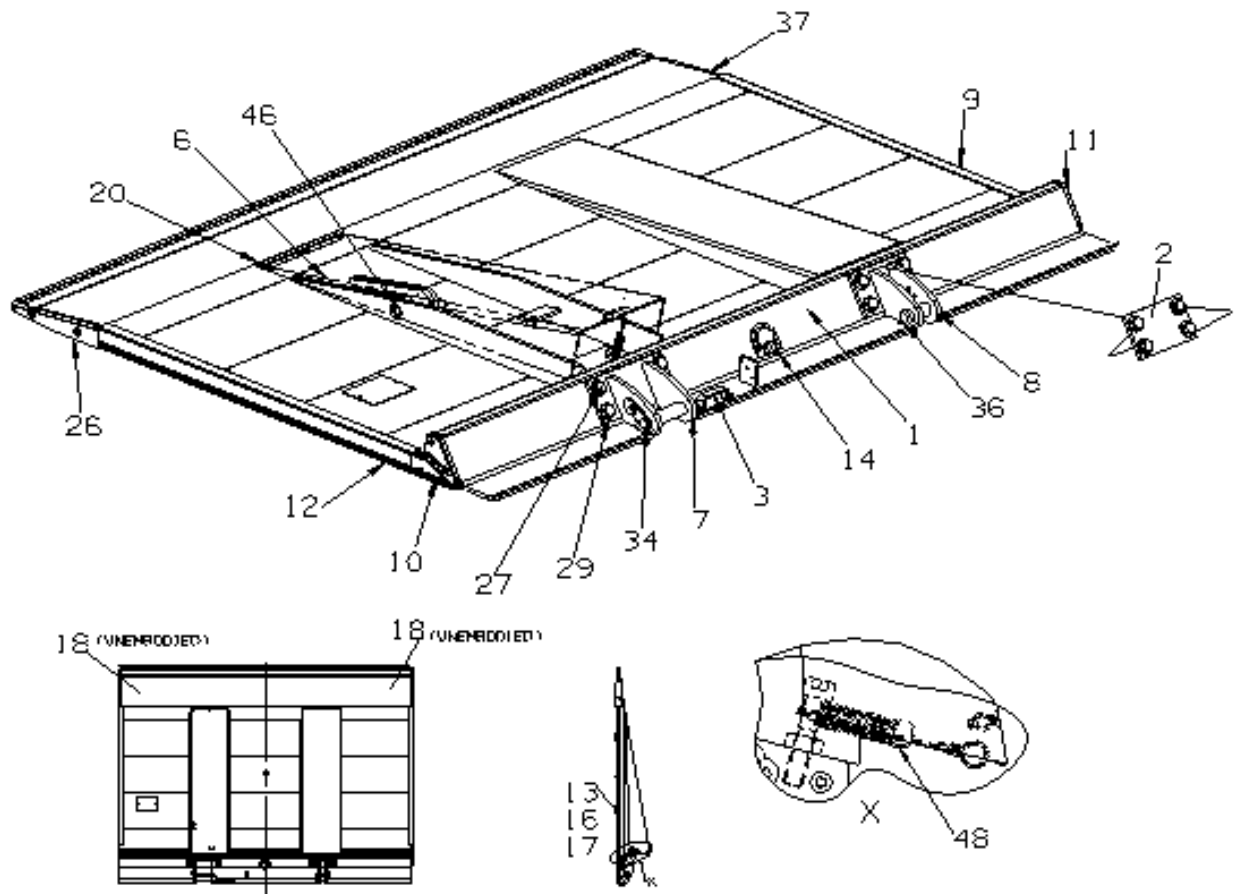
mm (ID / OD x L)	Inch (ID / OD x L)	Part No.
25 / 29 x 31	1 / 1 ¹ / ₈ x 1 ¹ / ₄	P-1403365
28 / 32 x 31	1 ¹ / ₈ / 1 ¹ / ₄ x 1 ¹ / ₄	P-1403367

No.	Description	Part No.
1	Pin, Ø 28 mm, length 153 mm	2003653
2	Pin, Ø 25 mm, length 74 mm	1346229
3	Pin, Ø 28 mm, length 135 mm	2002694
4	Pin, Ø 28 mm, length 58 mm	2002695
5	Hex head cap screw, M8 - 1.0 x 16 mm*	2009212
Kit	Pin kit, complete	2006131
6	Bushing, inside Ø 28 mm, outside Ø 32 mm, length 31 mm	1403367
7	Bushing, inside Ø 25 mm, outside Ø 29 mm, length 31 mm	1403365
Kit	Bushing kit, complete	2006133

* Screw is used to secure all pins

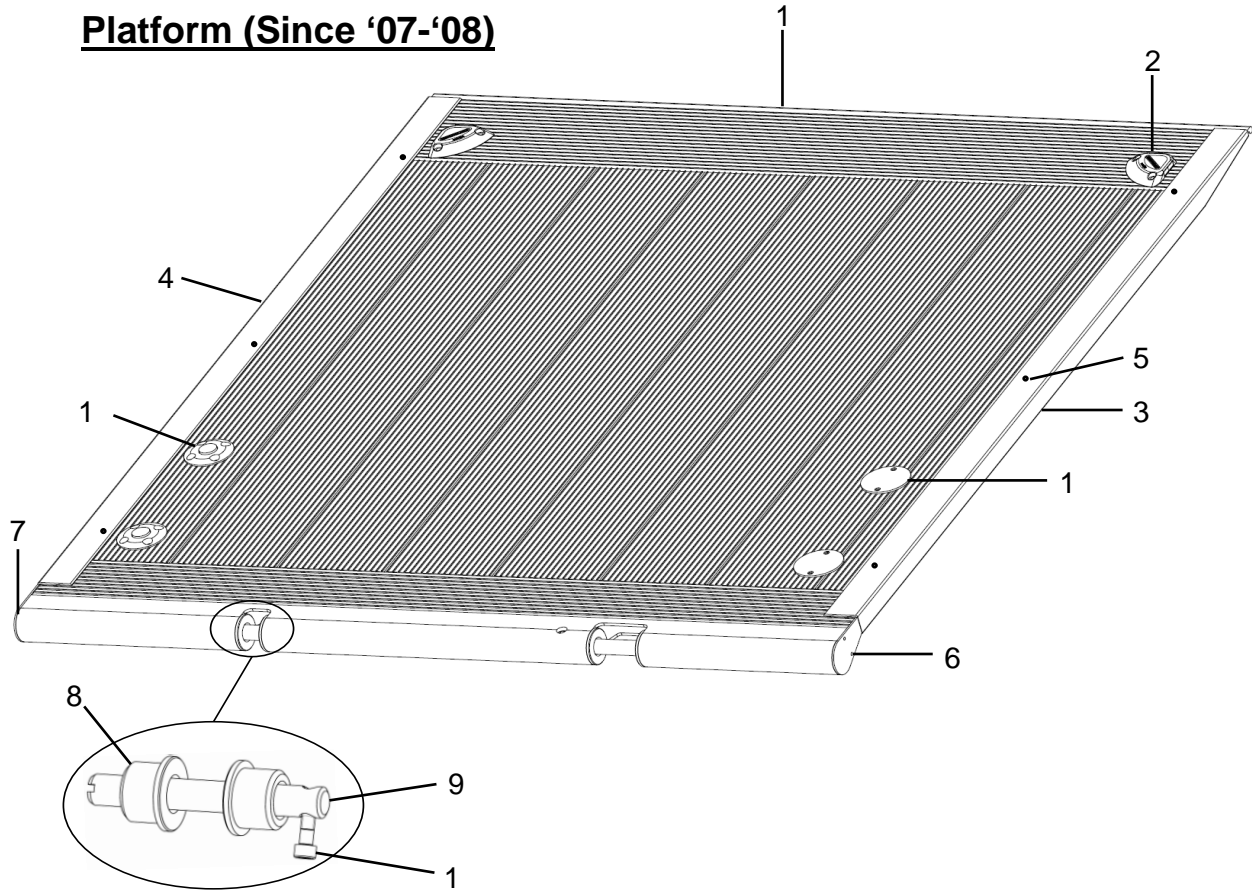
NOTES

4 Platform (Since '06-'08)



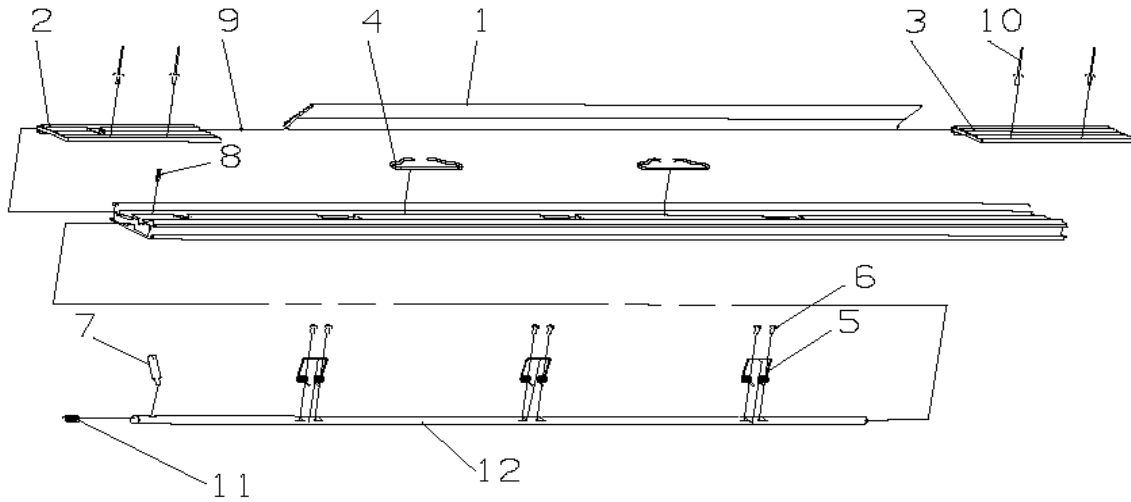
No.	Description	Part No.
1	platform, compl.	on request
2	thread plate	2003193
3	retaining bracket	2004159
6	tunnel H=1200 for 1200	2004047
	tunnel H=1500 for 1500	2005085
	tunnel H=1600 for 1600	2004465
7	clevis, left	2003208
8	clevis, right	2003209
9	side profile	9832521190
10	cap left	9083230000
11	cap right	9083229000
12	side profile	1244631
13	foot control	1404178
14	protective cover	1336214
16	operating label	1341966
17	button foot control	1405256
18	LED-warning light, 12V	1406365
20	hinge	2004661
26	cap, left	9081336010
27	screw M12x30	66128210
29	conical spring washer Ø12	67245601
34	pin Ø25x124	1346238
36	pin Ø25x74	1346229
37	cap right	9081336000
46	pin Ø25x82	2004037
48	spring with safety wire	2005112
51	option rollstop (unembodied)	on request

5 Platform (Since '07-'08)



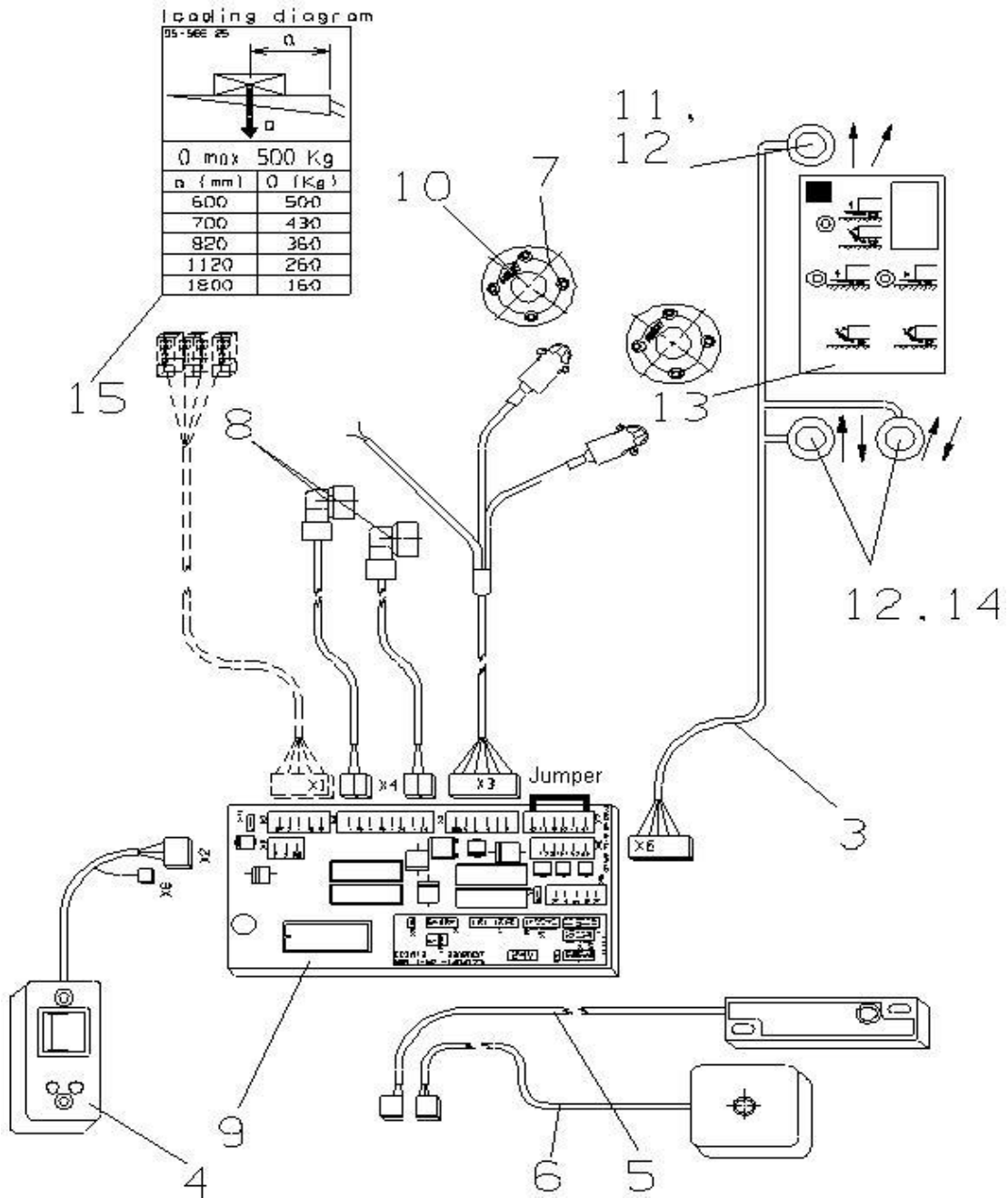
No.	Description	Part No.
1	Platform	2024450
2	LED warning lights	1406365
3	Side profile, driver side	2034949
4	Side profile, curb side	2034951
5	Flat head Screw, Countersunk, M5 - 0.8 x 12	2004486
6	Cover, for side of hinge profile, driver side	2034953
7	Cover, for side of hinge profile, curb side	2034999
8	Bushing, Plastic, Platform	2017305
9	Pin, Liftarm to Platform, M16 Thread	2016049
10	Socket Head Cap Screw, M10 - 1.5 x 45	ES3463
11	Foot control	1330945
12	Cover, for whole of foot control button	1358541

6 Cart Stop (PK1)



No.	Description	Part No.
1	Cart Stop Aluminum Platform	2017341
2	Cover plate - driver side	2017342
3	Cover plate - curb side	2017343
4	O-spring	2007764
5	Spring Roll	2017344
6	Screw, Pan Head Phillips, 5mm x 10mm	2020017
7	Control lever	2010831
8	Pin, 5mm x 20mm	2020024
9	Plastic Washer, Ø5mm x 20mm	2020019
10	Rivet Ø4.8x16	2020027
11	Coil Spring	2017450
12	Rod, Slide, CS	2017345

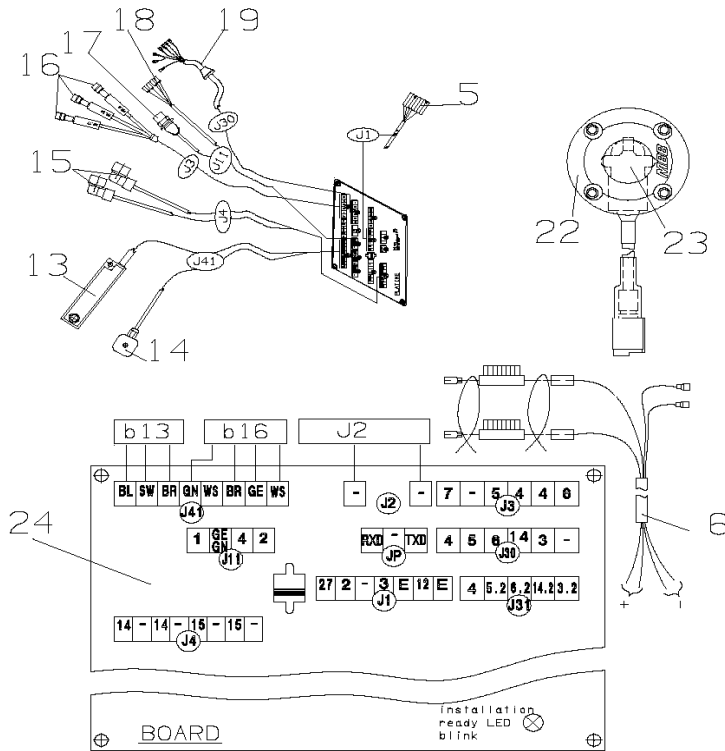
7 Control System (Until 06/08)



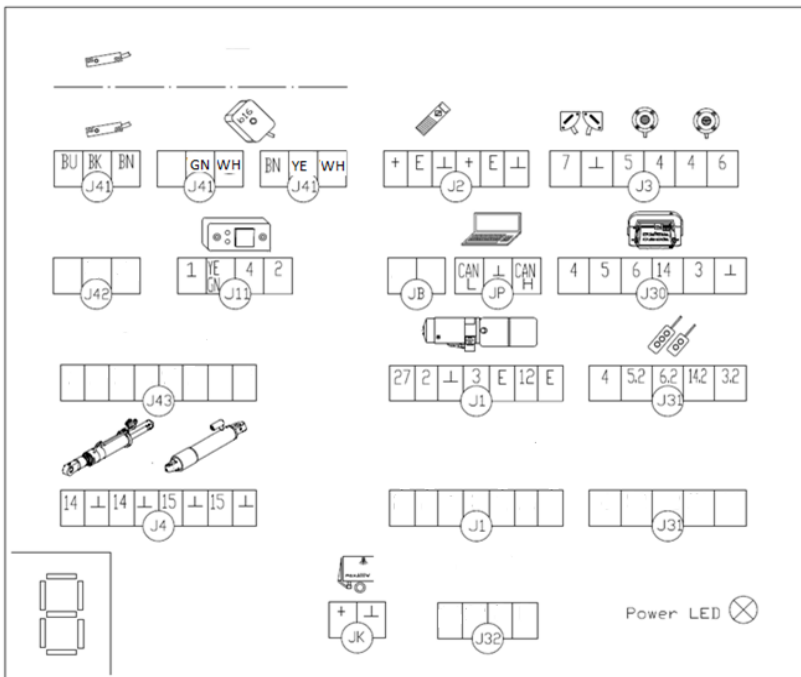
No.	Description	Part No.
3	Switch Harness, Outside Control Kit	2016045
4	Cab on-off switch	1332494
5	Sensor B13 for lift arm - 2 wire	1404177
6	Sensor B16 for platform - 3 wire	1404176
7	2 foot control button with harness	1404178
8	Cable for solenoid valve	67254198
9	PC board - earlier style	1407378
10	Foot control button	1405256
11	Contact block for tilt function	67487729
12	Button with cap	67476085
13	Plate, operation	2005348
14	Contact block for lift function	67487710
15	Loading diagram	1402392

8 Control System

Since 07/08



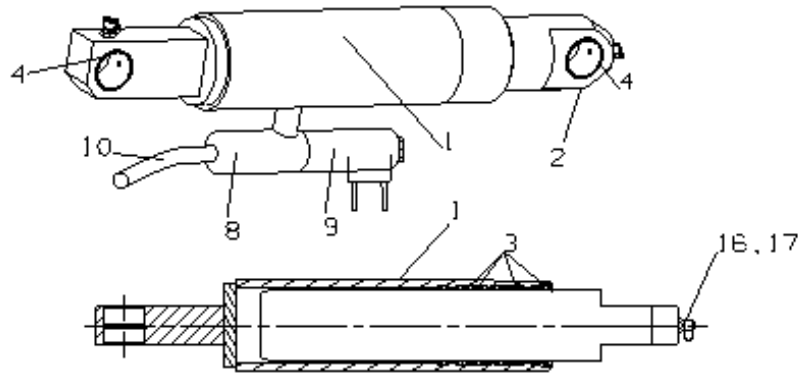
Since 01/13



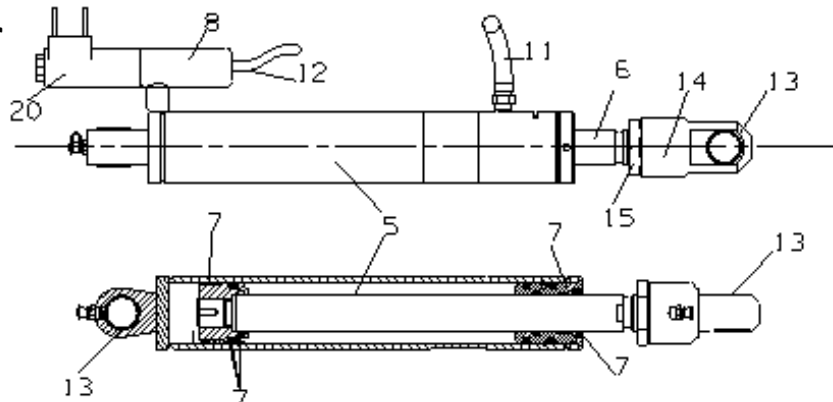
No.	Description	Part No.
5	Cable for power pack	2016594
6	Cable for power	2016384
12	Cover with hinge	2007474
13	Sensor B13 for lift arm - 3 wire	1332476
14	Sensor B16 for platform - 4 wire	2015796
15	Cable for solenoid valve	67254198
16	Cable for platform	2008918
17	Cable VDHH	2007050
18	Cable no.9	2007490
19	Cable for control box, 6-Wires	2007295
21	Clamp for cover	2010169
22	Foot control with 2 wire	1330945
23	Foot control button	1405256
24	PC-Board - K plus (since 07/08)	2015340
25	PC-Board - M Control (since 01/13)	2029093

9 Platform (Since '07-'08)

No. 1 Lift Cylinder



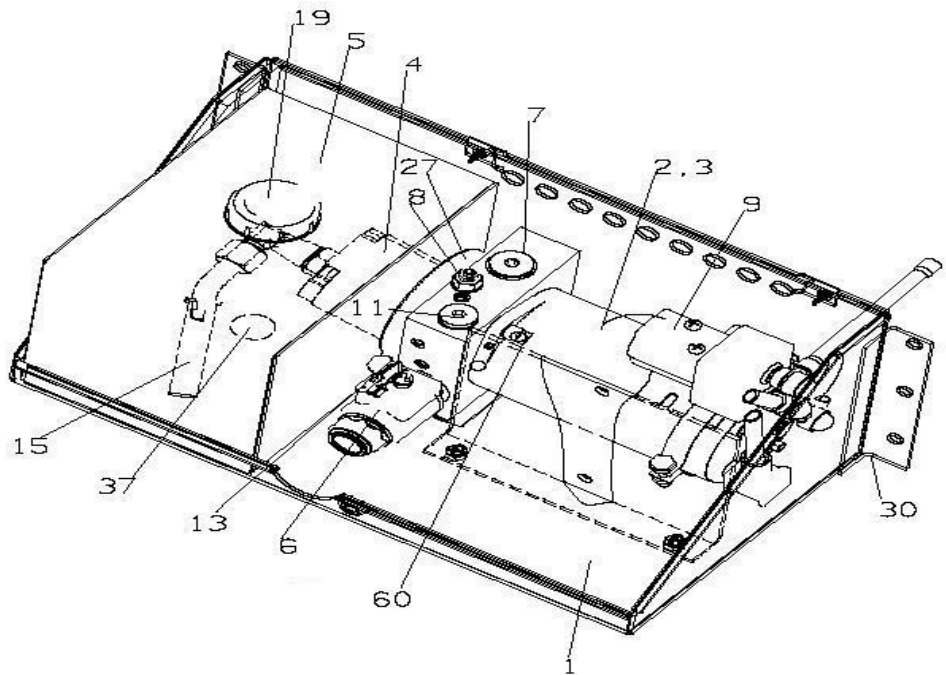
No. 5 Tilt Cylinder



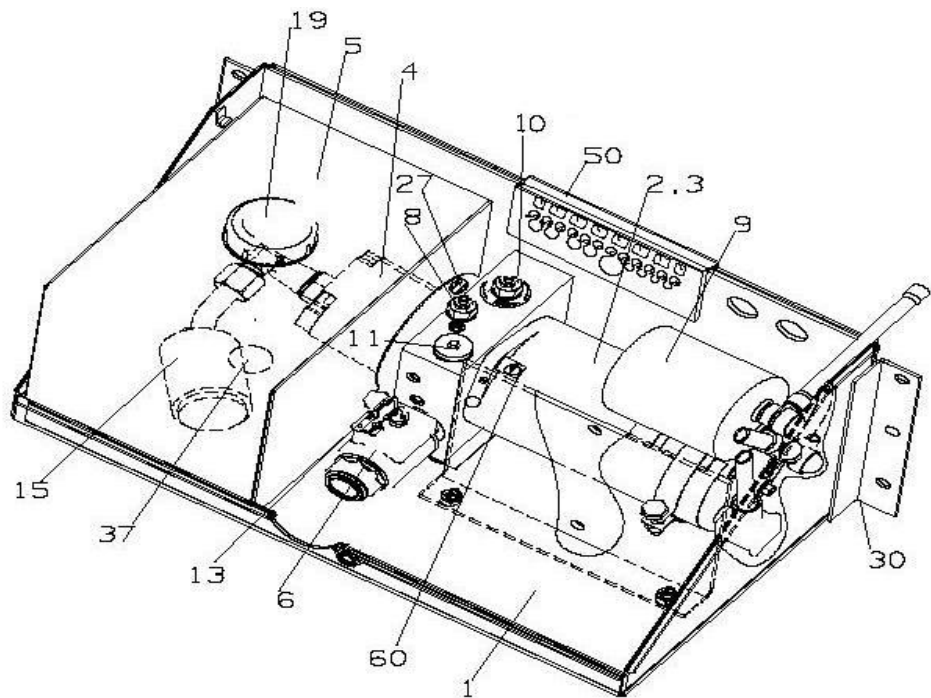
No.	Description	Part No.
1	Lift cylinder <i>without release valve</i>	2002731
2	Piston rod	2015576
3	Rebuild kit - <i>lift cylinder</i>	2005323
4	Bushing	1403367
5	Tilt cylinder <i>without release valve</i>	2013545
6	Piston rod - tilt cylinder	2003178
7	Rebuild kit - tilt cylinder	1408753
8	Restrictor control valve (no.2)	1365484
9	Release valve	67282345
10	Hose, high pressure - 600mm	2004472
11	Hose, high pressure, w/T-Fitting - 2000mm	2004473
12	Hose, high pressure - 2400mm	2004474
13	Pin 25x74	1346229
	Bushing 29/25 x 31	1403365
14	Adjusting head	2004594
15	Nut M30x1.5	1112072
16	Grease zerk	2019653
17	Red cap	1191680
20	Release valve	2008069
21	Rubber bellow - tilt cylinder	2015821
22	Sleeve - lift cylinder	1099010
23	Clamp for rubber bellow and sleeve	68430828

10 Power Pack

Until 07/08



Since 07/08



No.	Description	Part No.
1	Power pack complete with box	2004041
2	Motor 12V - since 04/08	1404318
	Motor 12V - till 04/08	2005148
3	Carbon brushes	2005147
4	Pump - since 04/08	2016991
	Pump - till 04/08	2005150
5	Oil reservoir	2005149
6	Solenoid valve S5	2008647
7	Shuttle valve	2005141
8	Pressure control valve	2005142
9	Motor solenoid - since 04/08	2016994
	Motor solenoid - till 04/08	2005140
10	Pressure gauge	2021672
11	Flow control valve (R5) - since 04/08	1406572
	Flow control valve (R5) - till 04/08	2005146
13	Clamp kit for oil reservoir	1406566
15	Suction pipe - since 04/08	2016993
	Suction pipe - till 04/08	2005318
19	Breather cap	2005143
27	O-ring	2005403
30	Power pack box - since 04/08	2013427
	Power pack box - till 04/08	2005350
31	Cover box	2006130
37	Drain plug	66382168
60	T-fitting for high pressure hose	1232239



Palfinger Interlift, LLC.
15939 Piuma Ave, Cerritos, CA 90703
Tel: (888) 774-5844, Fax: (562) 924-8318

Palfinger Interlift, LLC.
572 Whitehead Road, Trenton, NJ 08619
Tel: (609) 587-4200, Fax: (609) 587-4201