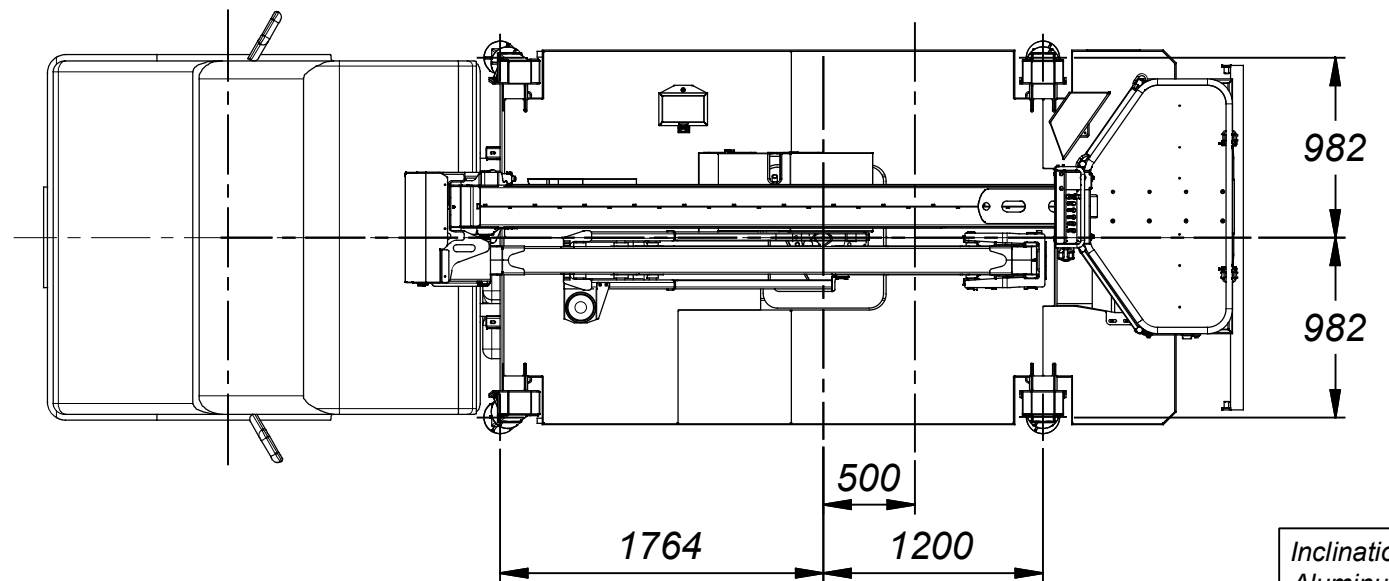
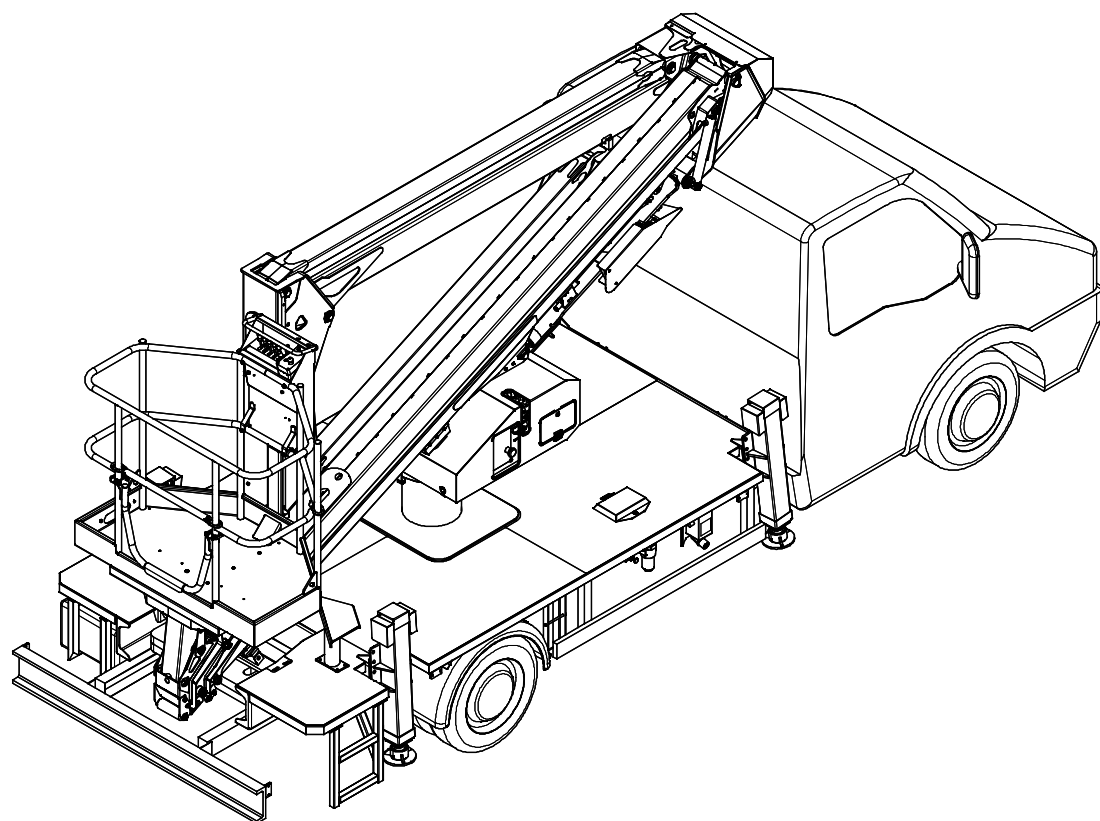
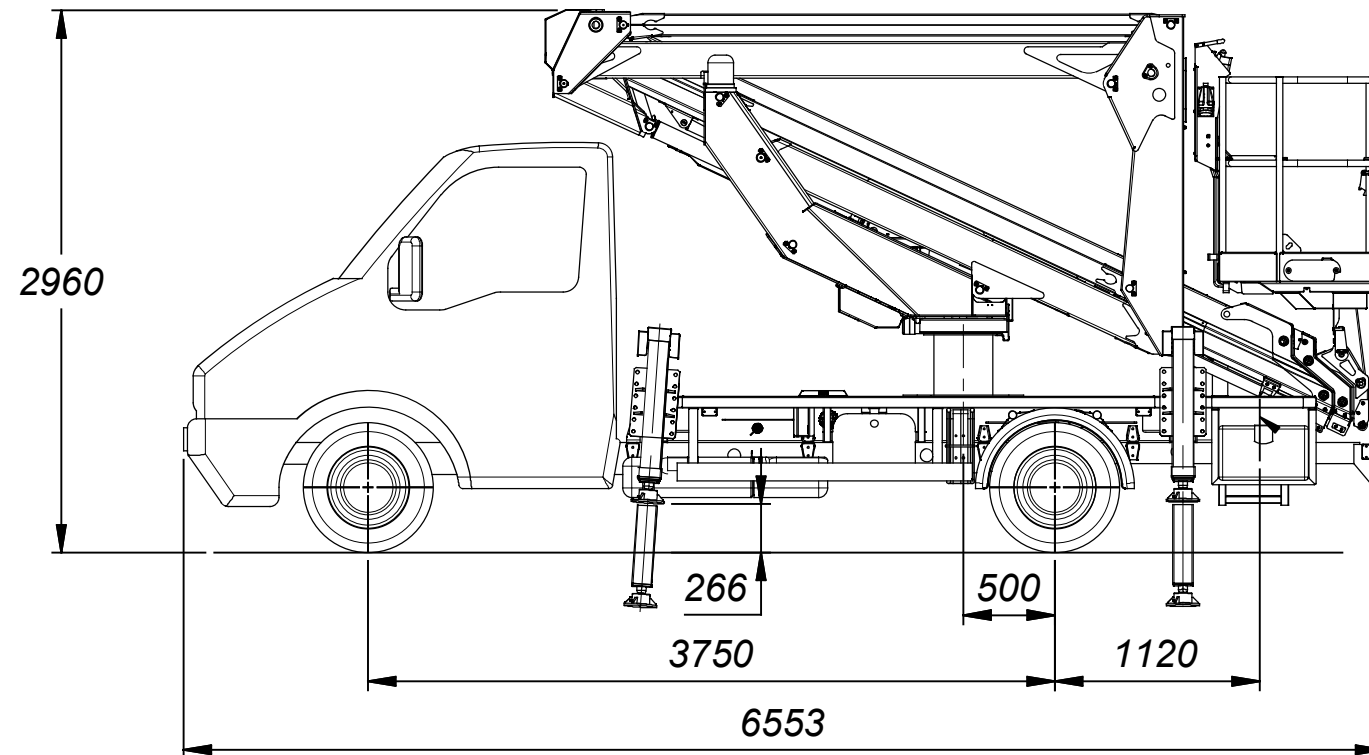
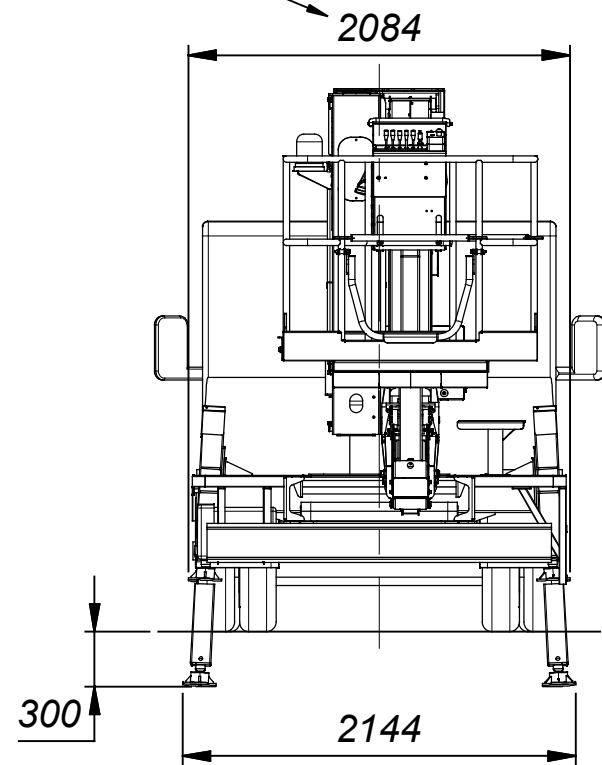


MAX INSTALLATION WIDTH



Inclination angle up to 1.5°
 Aluminum / Fiberglass cage
 Cage capacity 230Kg
 Frame 950Kg

The weights shown are indicative,
 real weights must be verified when
 the frame will be built during
 installation phase.

PALFINGER

Palfinger Platforms Italy s.r.l.

P240A ON IVECO DAILY 50C16H

MACCHINA: P240A

DATA: 27/01/2022