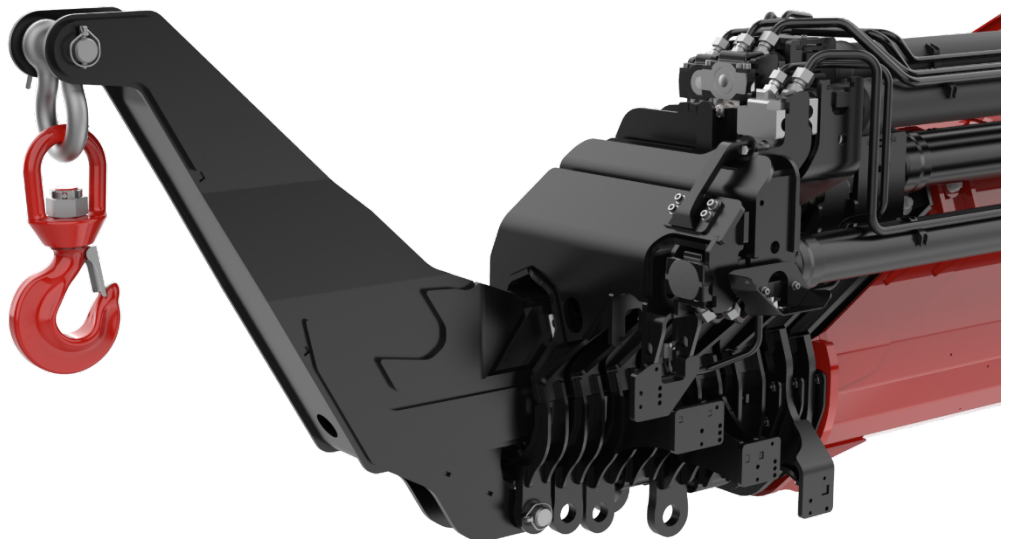


NEWS ARTICLE

Bergheim, Austria on 01.04.2022

INSTALLATION TIPS: New equipment for P-Profile cranes

PALFINGER has added two more useful component helpers to its equipment portfolio. The new Installation Tips were specially developed for heavy-duty Loader Cranes with P-Profile and score with their maximum load capacity of up to 20 tons.



New Installation Tip with load hook. © PALFINGER

Challenging operations are the speciality of PALFINGER heavy-duty Loader Cranes. In combination with an Installation Tip, even complicated operations can be successfully mastered in confined spaces. With the Installation Tip, the anchor point is offset away from the extension arm. This offset gains crucial centimeters and the load can be manoeuvred effortlessly through openings and narrow passages that would be impossible to get through without an Installation Tip.

Via the MFA (Multifunctional Adapter), an Installation Tip up to a maximum load capacity of 6 tons (with MFA-H) can already be used on all P-Profile Loader Cranes. In order to utilise the full potential of the heavy-duty cranes, PALFINGER has developed two new Installation Tips with a maximum load capacity of up to 20 tons. The increase in load capacity from six to 20 tons is possible because the Installation Tips were designed as pull-in components.



Possible operation, thanks to Powerlink Plus (backwards extension of the knuckle boom arm) and relocation of the anchor point. © PALFINGER

Built for heavy-duty Loader Cranes

The two new 20 tons Installation Tips are designed for the PALFINGER heavy-duty Loader Cranes from crane size PK 1050 TEC upwards and for the following extension arm versions:

KLG112ASA:

- PK 1050 TEC **F**
- PK 135.002 TEC **G**
- PK 165.002 TEC **H**

KLG113ASA:

- PK 200002L SH **G**

Further extension arm versions can be requested from the PALFINGER Tuning Center.

Available from 1. April

The new Installation Tips are available to order now.

+++

ABOUT PALFINGER AG

PALFINGER is an international technology and mechanical engineering company and the world's leading producer and provider of innovative crane and lifting solutions. With over 12,200 employees*, more than 30 manufacturing sites and a worldwide sales and service network of around 5,000 service points, PALFINGER creates added value from the challenges of its customers PALFINGER is consistently continuing on its course as a provider of innovative, complete solutions that deliver increased efficiency and better operability, while leveraging the potential of digitalization along the entire production and value chain.

PALFINGER AG has been listed on the Vienna stock exchange since 1999, and in 2022 achieved record revenue of EUR 2.23 billion.

*With contingent workers.

For further information please contact:

Stefanie Bachmair-Mayrhuber | Head of Trade Marketing | PALFINGER EMEA GmbH
M +43 664 885 257 45 | s.bachmair-mayrhuber@palfinger.com

Texts and their accompanying images are available in the “News” section of www.palfinger.ag and www.palfinger.com.