

PALFINGER

ETT 29 SNV

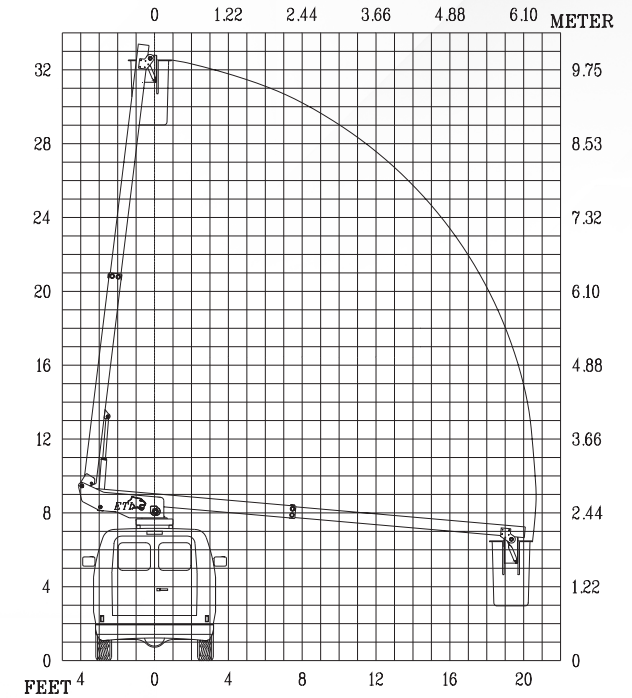
ARTICULATED/TELESCOPIC — NON-INSULATED



ETT 29 SNV



OPERATIONAL ZONE



PALFINGER's innovative ETT 29 SNV is a van-mounted non-insulated aerial unit with a hydraulic platform leveling electric over hydraulic upper and lower controls. Features include an oversize-bucket and door, an extended gear shaft for manual rotation, ground-accessible controls, replaceable pin bushings, and adjustable wear pads.

GENERAL SPECS:	Height to Bottom of Bucket Side Mount (Standard): 20' 6" End Mount: 22'	Working Height Side Mount (Standard): 33' 7" End Mount: 34'	Side Reach End Mount Side Mount (Standard): 20' 9" End Mount: 22' 9"	Stowed Height 9' 3"	Rated Bucket Capacity 300 lbs.	Rotation 390° Non-Continuous
	OPTIONS:	Emergency hydraulic power (12VDC)	Bucket liner	Bucket cover	DC power options, including cab comfort	
MINIMUM VEHICLE REQUIREMENTS:	GVWR (dual rear wheels) 8,500 lbs.	C.A. 138 in.	ANSI Non-Insulated			

PALFINGER North America, LLC.

341 Northwest 122nd St | Oklahoma City | Oklahoma | 73114 | +1 888 748 384 | PALFINGER.COM

*All specifications are based on the 40" frame height and subject to change without notice. Bucket trucks shown in this brochure are partially optional equipped and do not always correspond to the standard version. Country-specific regulations must be observed. Dimensions may vary. Subject to technical changes, errors and translation mistakes.