

PALFINGER

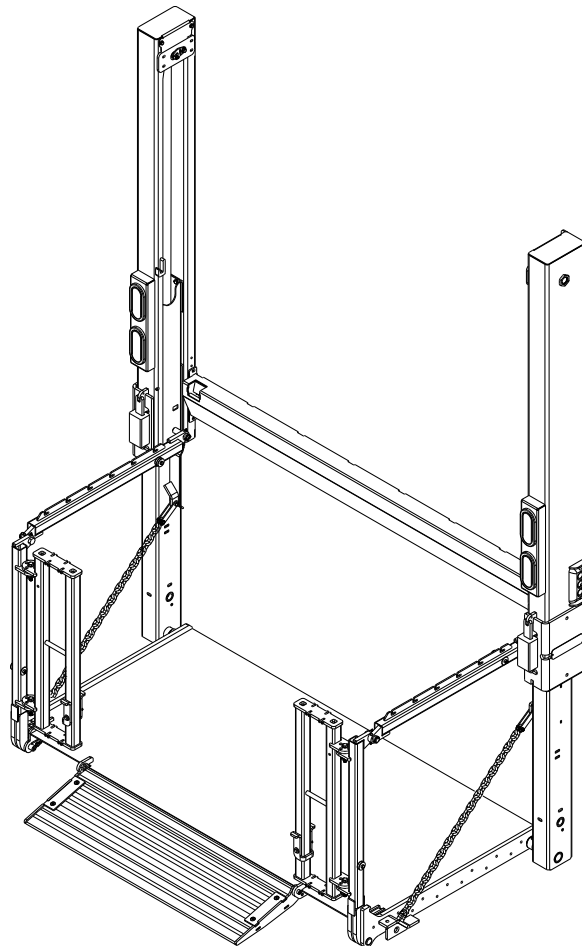


LIFTGATES

PARTS MANUAL

ILD+BG 35, 3500 lbs. Capacity

ILD+BG 44, 4400 lbs. Capacity



ILD+BG 35/44 Parts Manual
Document Part Number: 90-1121-200 / 21-680_90-00_02-00
ECN-M1535, Rev. 1.1, 01-06-23
Copyright © 2021 Palfinger Liftgates LLC.
All Rights Reserved.

Information in this document is subject to change without notice.
Visit www.palfinger.com for up to date information and notifications.

Technical Support

technicalservice@palfinger.com

Parts Order/Inquiries

liftgateparts@palfinger.com



LIFTGATES

**15939 Piuma Ave.
Cerritos, CA 90703
Tel (888) 774-5844
Fax (562) 924-8318**



LIFTGATES

**572 Whitehead Road.
Trenton, NJ 08619
Tel (609) 587-4200
Fax (609) 587-4201**

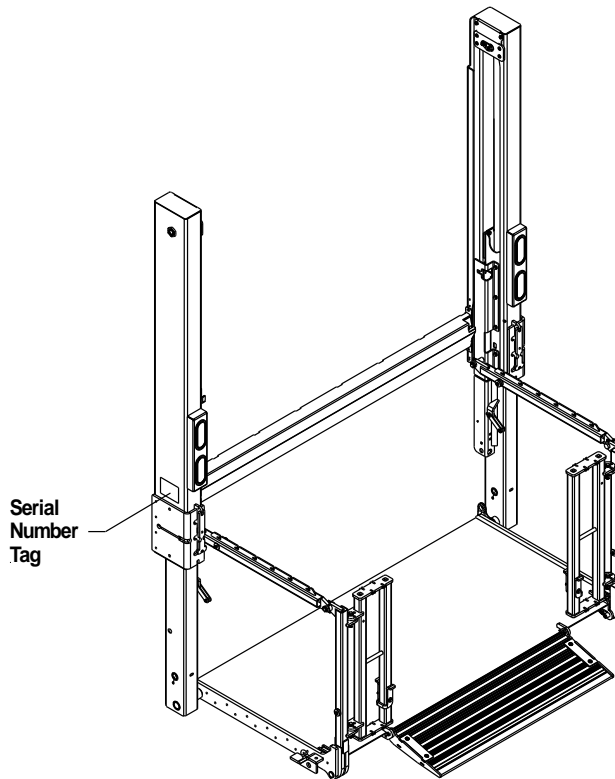
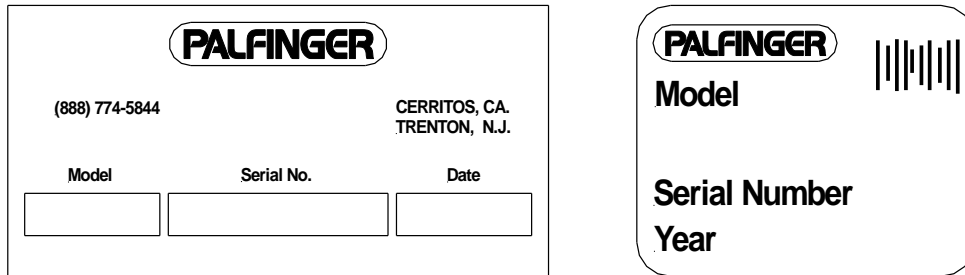
Parts Orders:

- There is a \$50.00 minimum parts order.
- Ground freight is free for spare parts orders exceeding \$1,500.00, excluding platforms, runners, mount frames and other main assemblies.
- Contact parts department, our hours are from 8 am EST in NJ until 5 pm PST in CA
- California: (888) 774-5844, or (562)924-8218, ext. 97, 29 , or 15; Fax: (562) 924-8318.
New Jersey: at (609) 587-4200; Fax: (609) 587-4201.
E-mail orders or inquires for both locations to: liftgateparts@palfinger.com
- Next Day Air shipments must be received by 2:30 pm local time at either location.
- To ensure quick delivery when placing an order, please be sure to include: liftgate model, serial number, part number, and description in accordance with spare Parts List.
- Any parts being returned must have Return Merchandise Authorization (RMA) number, copy of invoice and a detailed packing list of returned parts. RMA numbers will be issued by parts department and are valid for 30 days. All returned RMA parts must be returned to Palfinger Liftgates by prepaid freight or by call tag.
- Parts must be returned in NEW CONDITION. To receive credit on returned parts, the original purchase date must be within 6 month and authorized by Palfinger Liftgates.
- Returned parts are subject to a 20% restocking charge.
- Any part received not in new condition will be subject to inspection and possible refusal. All Palfinger Liftgates parts are covered for one year from date of purchase against defects in material and workmanship.
- Warranty Coverage: part replacement only.

Important Liftgate Information:

1. Liftgate serial information can be found on the driver side column. Please have the liftgate information ready when ordering parts to assure parts are replaced accurately.

Serial Number Tags



2. The finish for many parts differs from liftgate to liftgate. It is important to specify what type of finish the replacement part(s) has. Palfinger Liftgates uses galvanized, galvanealed, power coat, paint, and zinc coated components on the different models of liftgates. If not sure what finish is on the part(s), mention this to the Parts Department Representative.

Palfinger Liftgates, LLC.
 15939 Piuma Ave, Cerritos, CA 90703
 Tel: (888) 774-5844, Fax: (562) 924-8318

Palfinger Liftgates, LLC.
 572 Whitehead Road, Trenton, NJ 08619
 Tel: (609) 587-4200, Fax: (609) 587-4201

Table of Contents

1 Columns 7

2 Bolt-On Kit 9

3 Foot Step Kit 10

4 Subframe & Bumper 11

5 Platforms 12

 5.1 Aluminum Platform 12

 5.2 Steel Platforms 13

6 Chain Kit 15

7 Platform Conspicuity Decals 16

8 Platform Railing 17

9 Ramps 19

 9.1 Ramp 16” 19

 9.2 Ramp- 20” 20

10 Cylinders 21

11 Cylinder Hoses 23

12 Hose and Switch Kit 24

13 Hose Guard Kit 25

14 Hose and Hardware Kit 26

15 Battery Box (Prior to February 2021) 27

16 Battery Box (After to February 2021) 29

17 Pump and Motor - Primary Pump (After March 2018) 31

18 Pump and Motor – Secondary Pump (After March 2018)..... 33

19 Pump and Motor - Primary Pump (Prior 2018)..... 35

20 Pump and Motor - Secondary Pump (Prior 2018)..... 36

21 Hydraulic Hose Kits..... 37

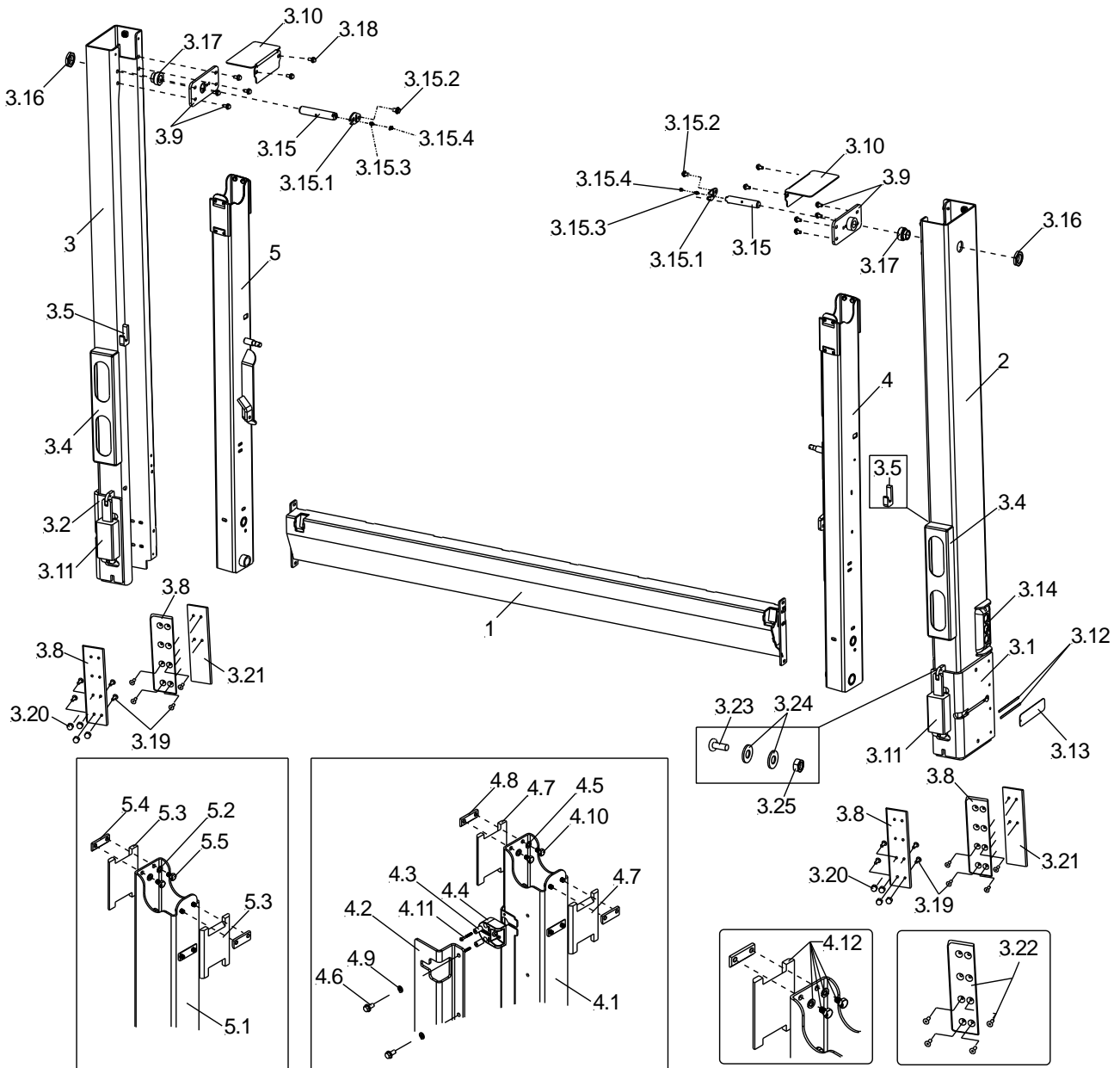
22 Trailer/Truck Charge Kits..... 39

23 Light Kits..... 41

24 Controls..... 43

1 Columns

Palfinger Liftgates use galvanized, galvanealed, power coat, paint, zinc, and other finishes on different liftgate models. It is important to specify what type of finish is required for the replacement part(s).



Palfinger Liftgates, LLC.
15939 Piuma Ave, Cerritos, CA 90703
Tel: (888) 774-5844, Fax: (562) 924-8318

Palfinger Liftgates, LLC.
572 Whitehead Road, Trenton, NJ 08619
Tel: (609) 587-4200, Fax: (609) 587-4201

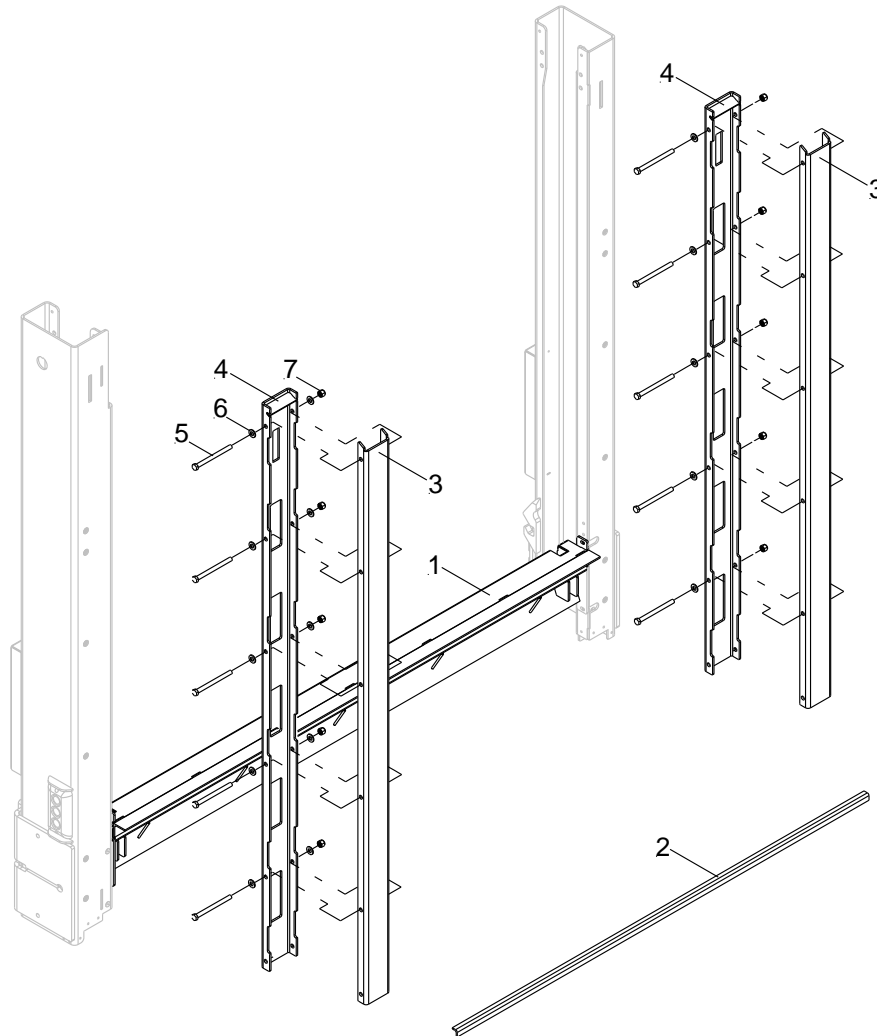
1 - COLUMNS			
NO.	DESCRIPTION	PART NO.	QTY.
1	Traverse, 102" Wide	04-1108-100	1
	Traverse, 96" Wide	04-1108-200	1
2	Column Assembly, Right Side	01-1113-200	1
3	Column Assembly, Left Side	01-1113-100	1
3.1	Dock Bumper, Right Side	02-1110-200	1
3.2	Dock Bumper, Left Side	PD02-1110-300	1
3.4	Tail Light, Housing	PD02-1108-105	1
3.5	Travel Latch, Left Side	24-1113-201	1
3.8	Slide Pad, Lower	60-1111-113	4
3.9	Bracket Kit, Cylinder Top, Weldment	ML75-1121-030	2
3.10	Cover	65-1108-301	2
3.11	Bumper, Nylon	02-1110-501	2
3.12	Tape, Double Sided (For 3.13)	EZ6097	4
3.13	Plate, LED Cable Cover	02-1110-204	2
3.14	Control, 3-Button, Flush Mount	P-2020653	1
3.15	Pin, Ø28mmx153mm, Grease Zerk	2048626	2
3.15.1	Pin Plate, Small	2028340	2
3.15.2	Bolt, M12x16mm	2039050	2
3.15.3	Grease Fitting, M10x1x15.3mm	EA-005	2
3.15.4	Cap, Plastic, Red	P-1191680	2
3.16	Nut, M38x2mm	P-67265408	2
3.17	Pin Bearing	P-2014809	2
3.18	Hex Head Cap Screw, 3/8-16x1.5", Gr. 5, Zinc	ES3504	4
3.19	Flat Head Screw, 3/8-16x1" Gr.5, Zinc	ES3452	8
3.20	Nut, Acorn, 3/8-16	EM 673	8
3.21	Plate, Nut, Column, Slide Pad	PD-65-1108-101	2
3.22	Lower Slide Pad Kit, With Hardware, Black	ML75-1121-100	1
3.23	Hex Head Cap Screw, ¼"-20 x 1.25" Gr. 5	ES3463	2
3.24	Washer, Flat ¼" USS Zinc	EK3218	3
3.25	Nut, 1/4-20, Serrated, Flange, Zinc	OS1060059	4
4	Runner Assembly, Right Side	03-1113-200	1
4.1	Runner Weldment	03-1112-200	1
4.2	Bolt-On Hose Guard	03-1112-201	5
4.3	Spacer, 0.5"OD, 0.192" ID	99-8813-067	2
4.4	Toggle Switch	P-2004565	1
4.5	M10 Split Lock Washer	EK2740	5
4.6	Bolt Thread Rolling, 3/8-16x0.75" Zinc	ES3453	5
4.7	Slide Pad, Upper	60-1111-114	2
4.8	Nut Plate, Runner Pad	P-2014812	4
4.9	Washer, 3/8", Splitlock	EK3238	5
4.10	Bolt, M10-1.5x16mm	ES3665	8
4.11	Button Head Cap Screw, 10-24 X 1-1/2", Zinc	ES3470	1
4.12	Upper Slide Pad Kit, With Hardware, Black	ML75-1121-090	2
5	Runner Assembly, Left Side	03-1113-100	1
5.1	Runner Weldment	03-1108-100	1
5.2	M10 Split Lock Washer	EK2740	8
5.3	Slide Pad, Upper	60-1111-114	2
5.4	Nut Plate, Runner Pad	P-2014812	4
5.5	Bolt, M10-1.5x16mm	ES3665	4

Palfinger Liftgates, LLC.
 15939 Piuma Ave, Cerritos, CA 90703
 Tel: (888) 774-5844, Fax: (562) 924-8318

Palfinger Liftgates, LLC.
 572 Whitehead Road, Trenton, NJ 08619
 Tel: (609) 587-4200, Fax: (609) 587-4201

2 Bolt-On Kit

Palfinger Liftgates use galvanized, galvanealed, power coat, paint, zinc, and other finishes on different liftgate models. It is important to specify what type of finish is required for the replacement part(s).



2 – BOLT-ON KIT			
NO.	DESCRIPTION	PART NO.	QTY.
1	Traverse, Weldment, 96"W	65-1113-400	1
	Traverse, Weldment, 102"W	65-1113-500	1
2	Traverse Support, 1"X1"X80", Steel	65-1113-003	1
	Traverse Support, 1"X1"X80", Stainless	65-1113-004	1
3	Bolt-On Bracket, Weld To Vehicle, Steel	65-1113-001	2
	Bolt-On Bracket, Weld To Vehicle, Stainless	65-1113-002	2
4	Bolt On Bracket, Weld To Liftgate, Steel	65-1113-600	2

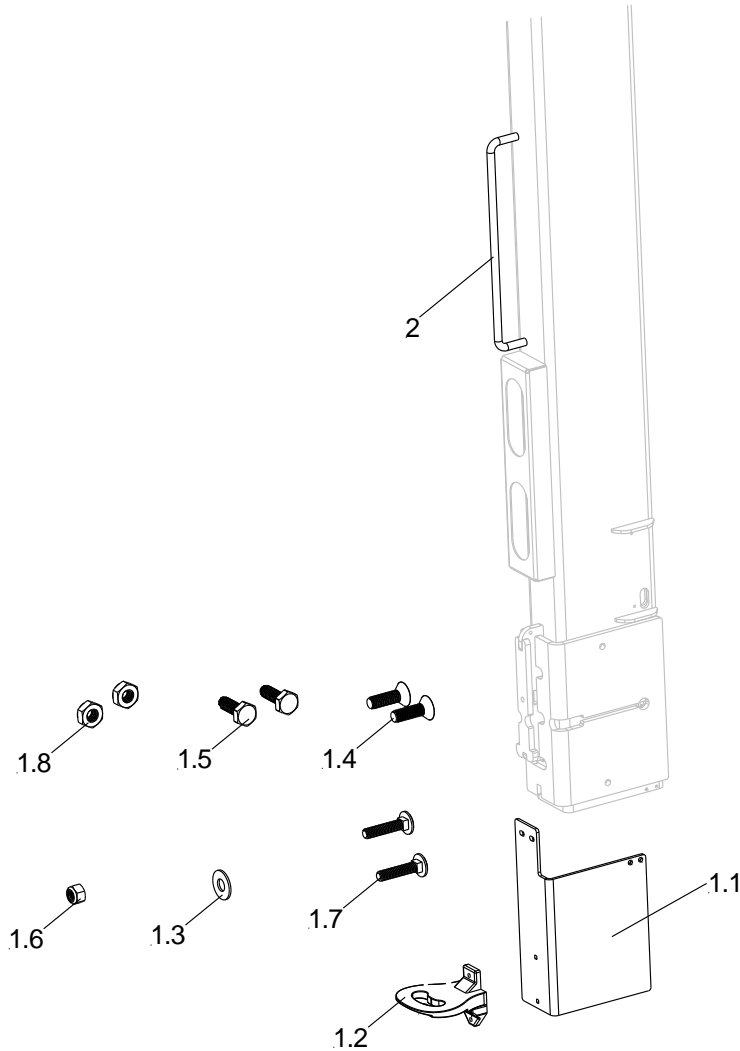
Palfinger Liftgates, LLC.
 15939 Piuma Ave, Cerritos, CA 90703
 Tel: (888) 774-5844, Fax: (562) 924-8318

Palfinger Liftgates, LLC.
 572 Whitehead Road, Trenton, NJ 08619
 Tel: (609) 587-4200, Fax: (609) 587-4201

5	Hex Head Cap Screw; 1/2-13x6"; Gr.8	ES3737	10
6	Washer, Flat	EK2795	20
7	Nut, Nylock, 1/2-13	EM 689	10

3 Foot Step Kit

Palfinger Liftgates use galvanized, galvanealed, power coat, paint, zinc, and other finishes on different liftgate models. It is important to specify what type of finish is required for the replacement part(s).



3 – FOOT STEP KIT			
NO.	DESCRIPTION	PART NO.	QTY.
1	Foot Step Kit	60-1114-004	1
1.1	Foot Step Mount Plate	60-1114-003	1
1.2	Foot Step	60-1114-005	1
1.3	Washer, Flat, 5/16"	99-8813-050	2
1.4	Flat Head Cap Screw, 3/8-16 X1.25"	ES3473	2
1.5	Hex Head Cap Screw, 1/4-20x3/4"	ES3447	2
1.6	Nut, Nylock, 5/16-18"	1030122	2

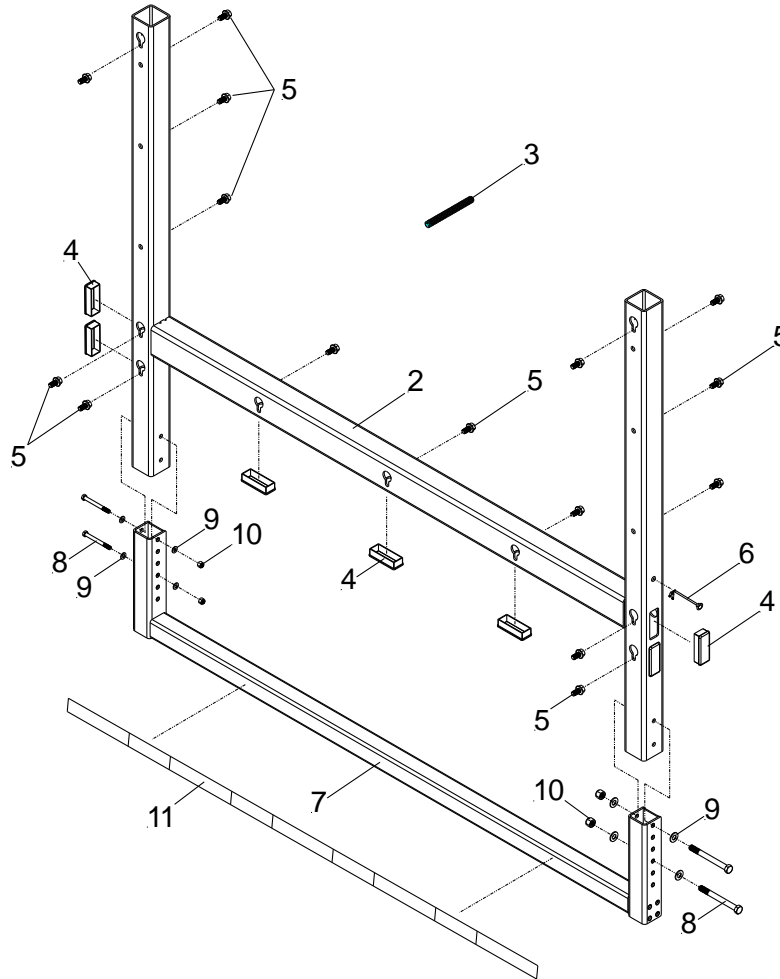
Palfinger Liftgates, LLC.
 15939 Piuma Ave, Cerritos, CA 90703
 Tel: (888) 774-5844, Fax: (562) 924-8318

Palfinger Liftgates, LLC.
 572 Whitehead Road, Trenton, NJ 08619
 Tel: (609) 587-4200, Fax: (609) 587-4201

1.7	Carriage Bolt, 5/16"-18 X 1.5"	ES3503	2
1.8	Nut, Nylock 1/4-20 Zinc	ES3420	2
2	Grab Handle	60-1114-002	1

4 Subframe & Bumper

Palfinger Liftgates use galvanized, galvanealed, power coat, paint, zinc, and other finishes on different liftgate models. It is important to specify what type of finish is required for the replacement part(s).



4 – SUBFRAME KIT			
NO.	DESCRIPTION	PART NO.	QTY.
1	Subframe Kit, ILD+, 96"W	01-1114-009	1
	Subframe Kit, ILD+, 102"W	01-1114-007	1
2	Subframe Weldment, 96"W	01-1114-010	1
	Subframe Weldment, 102"W	01-1114-002	1
3	Split Loom; 1/2"X6.25"	EZ7073	1
4	Cap, Plastic, 2.00"x5.00"	99-8716-000	7
5	Hex Head Cap Screw, 5/8-11x1.25", Flanged Head, Gr.8, Zinc	ES3438	15
6	Indicator Light, LED, Amber, ø3/4"	70-8013-401	1
7	Bumper Kit, 102"W	65-1114-011	1
	Bumper Kit, 96"W	65-1114-015	1
8	Hex Head Cap Screw, 1/2"-13x5.00"	ES3436	4
9	Washer, Flat, 1/2"	EK2796	8

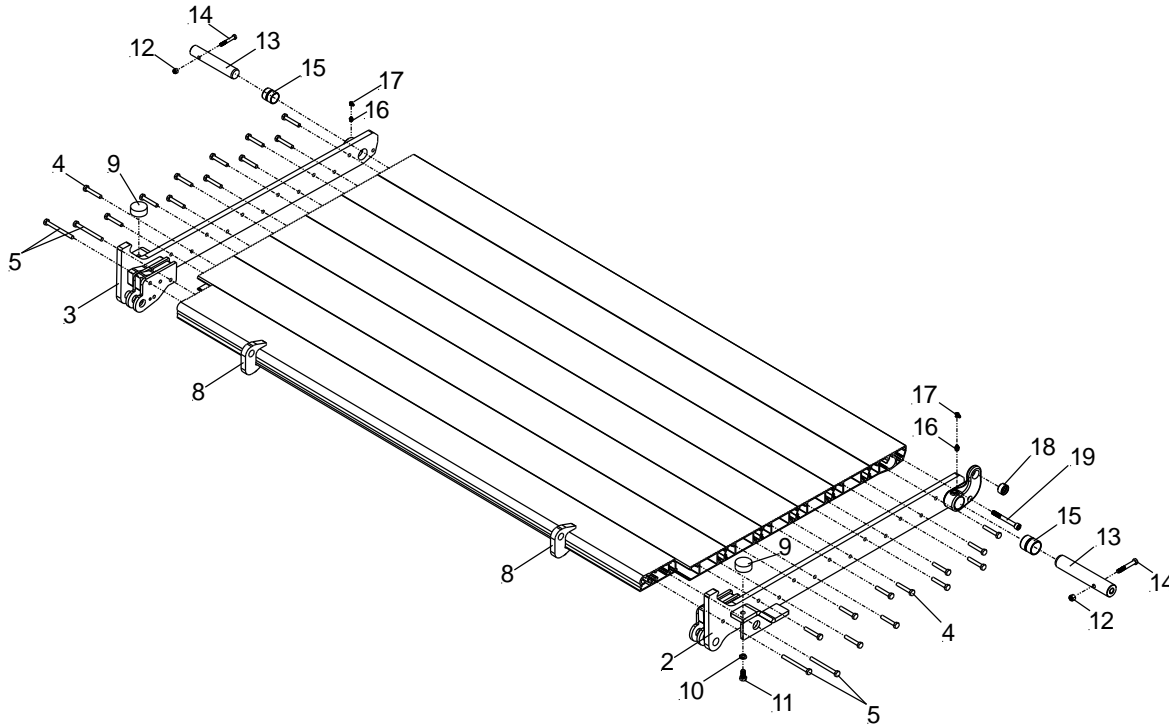
Palfinger Liftgates, LLC.
 15939 Piuma Ave, Cerritos, CA 90703
 Tel: (888) 774-5844, Fax: (562) 924-8318

Palfinger Liftgates, LLC.
 572 Whitehead Road, Trenton, NJ 08619
 Tel: (609) 587-4200, Fax: (609) 587-4201

10	Nut, Nylock, 1/2"-13	EM 689	4
11	Decal, Conspicuity Tape	85-1114-003	1

5 Platforms

5.1 Aluminum Platform



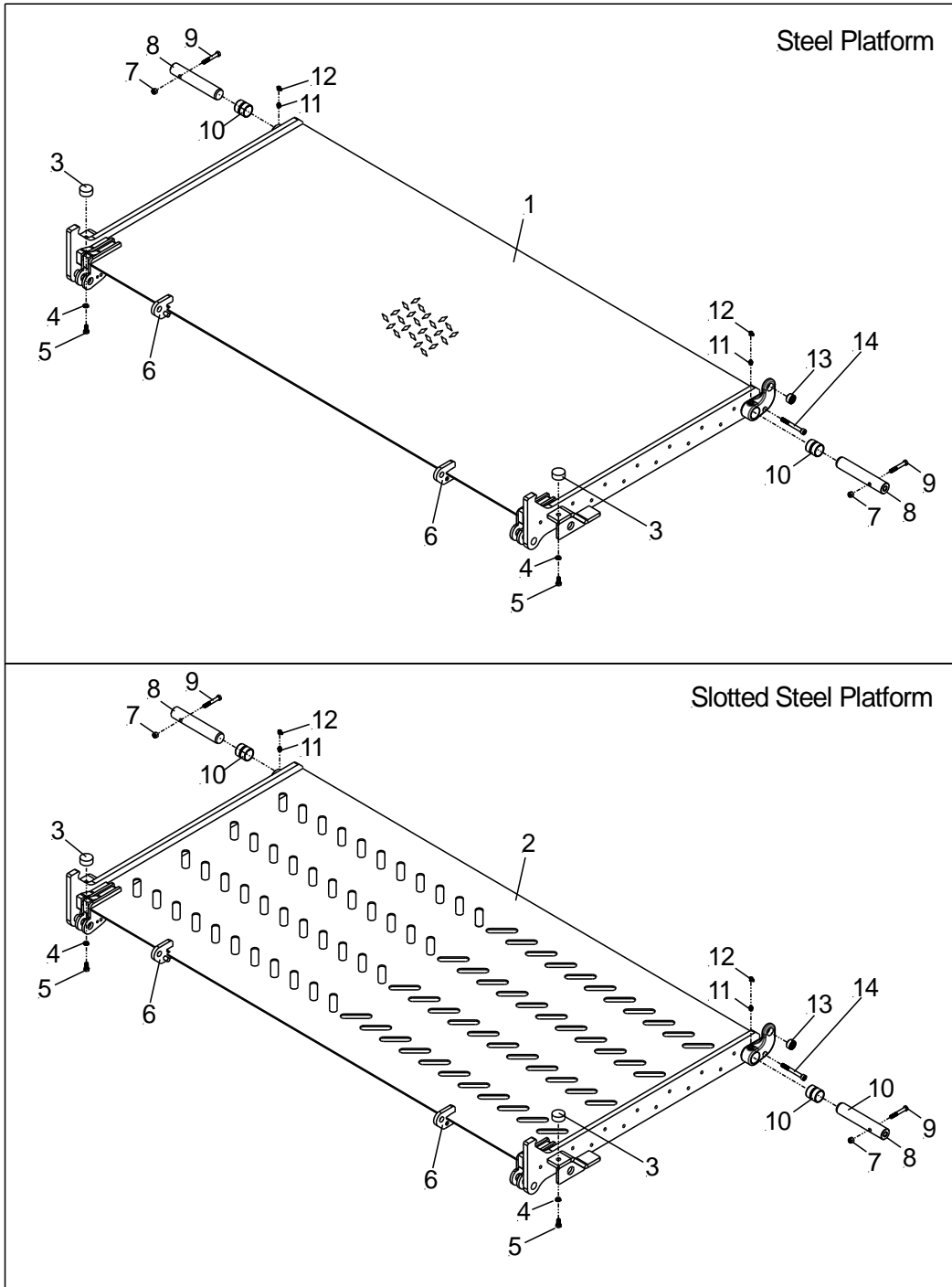
5.1 – ALUMINUM PLATFORM			
NO.	DESCRIPTION	PART NO.	QTY.
1	Main Platform Assy, Aluminum, 42"x80", 96"W	21-1118-004	1
	Main Platform Assy, Aluminum, 42"x86", 102"W	21-1114-010	1
2	Side Bar Assembly, Right Side	24-1113-510	1
3	Side Bar Assembly, Left Side	24-1113-520	1
4	Hex Head Cap Screw, M10x1.5x60mm, Cl.10.9, Zinc	ES3244	22
5	Hex Head Cap Screw, M10x1.5x110mm, Cl.10.9, Zinc	ES3559	4
8	Ramp Hinge Plate	21-1113-001	2
9	Rubber Snubber Pad	60-7514-002	2
10	Washer, split lock M12	EK2806	2
11	Hex Head Cap Screw, M12x1.75x25mm, Cl.8.8, Zinc	ES 073	2
12	Nut, Nylock, 3/8-16, Gr. 8, Zinc	EM 698	2
13	Pin, Ø36mm X 200mm, Grease Zerk	2048628	2
14	Hex Head Cap Screw, 3/8-16 x 2.50" Gr. 5	ES3638	2
15	Bushing, 36mm ID X 40mm X 41mm L	ELG1033	2
16	Zerk Fitting M10x1	EA-005	2
17	Cap, Zerk Fitting	P-1191680	2
18	Bushing 25x14mm,	ELG1034	1
19	Socket Head Cap Screw, M10x1.5x90mm	ES3618	1

Palfinger Liftgates, LLC.
 15939 Piuma Ave, Cerritos, CA 90703
 Tel: (888) 774-5844, Fax: (562) 924-8318

Palfinger Liftgates, LLC.
 572 Whitehead Road, Trenton, NJ 08619
 Tel: (609) 587-4200, Fax: (609) 587-4201

5.2 Steel Platforms

Palfinger Liftgates use galvanized, galvanealed, power coat, paint, zinc, and other finishes on different liftgate models. It is important to specify what type of finish is required for the ordered replacement parts.

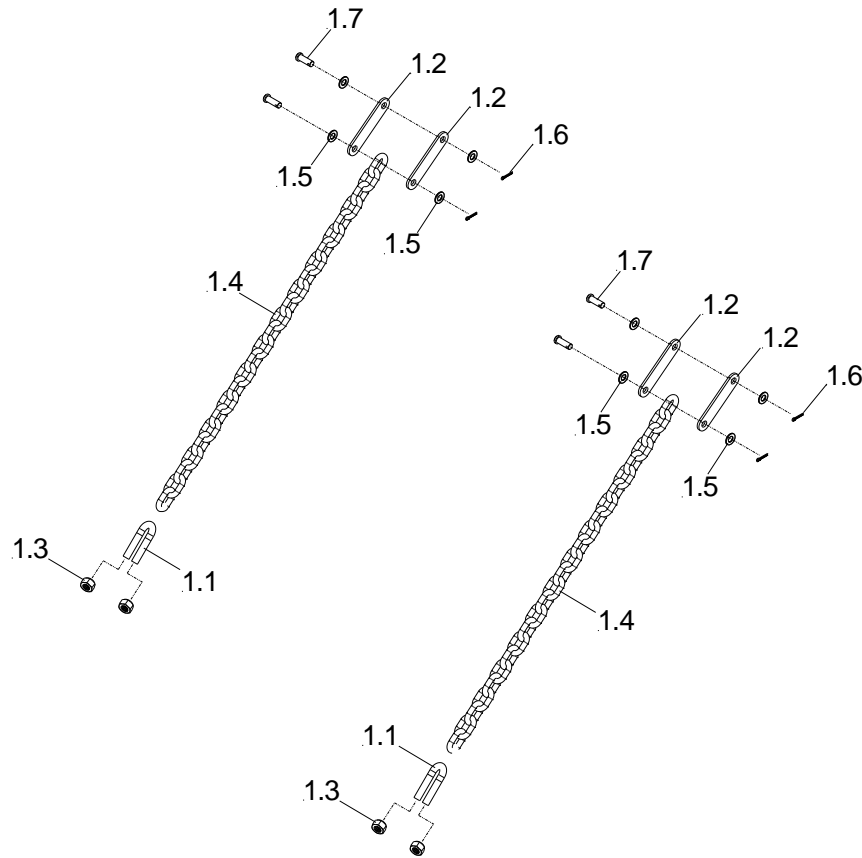


Palfinger Liftgates, LLC.
15939 Piuma Ave, Cerritos, CA 90703
Tel: (888) 774-5844, Fax: (562) 924-8318

Palfinger Liftgates, LLC.
572 Whitehead Road, Trenton, NJ 08619
Tel: (609) 587-4200, Fax: (609) 587-4201

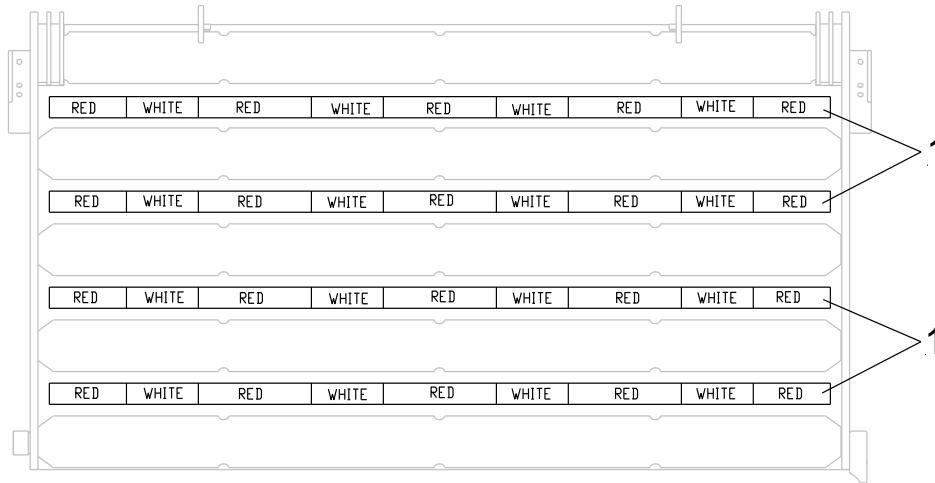
5.2 – STEEL PLATFORM			
NO.	DESCRIPTION	PART NO.	QTY.
1	Main Platform Assy, Steel, 42"x80", 96"W	24-1113-800	1
	Main Platform Assy, Steel, 42"x86", 102"W	24-1113-600	1
2	Main Platform Assy, Slotted Steel, 42"x80", 96"W	24-1114-200	1
	Main Platform Assy, Slotted Steel, 42"x86", 102"W	24-1114-300	1
3	Rubber Snubber Pad	60-7514-002	2
4	Washer, split lock M12	EK2806	2
5	Hex Head Cap Screw, M12x1.75x25mm, Cl.8.8, Zinc	ES 073	2
6	Ramp Hinge Plate	24-1113-604	2
7	Nut, Nylock, 3/8-16, Gr. 8, Zinc	EM 698	2
8	Pin, Ø36mm X 200mm, Grease Zerk	2048628	2
9	Hex Head Cap Screw, 3/8-16 x 2.50" Gr. 5	ES3638	2
10	Bushing, 36mm ID X 40mm X 41mm L	ELG1033	2
11	Zerk Fitting M10x1	EA-005	2
12	Cap, Zerk Fitting	P-1191680	2
13	Bushing 25x14mm	ELG1034	1
14	Socket Head Cap Screw, M10x1.5x90mm	ES3618	1

6 **Chain Kit**

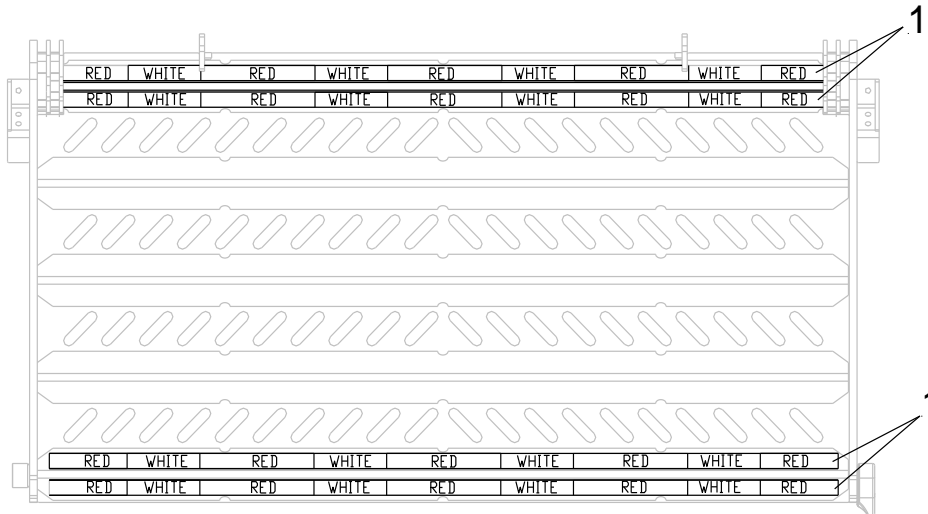


6 – CHAIN KIT			
NO.	DESCRIPTION	PART NO.	QTY.
1	Chain Kit (Includes: Chain and all hardware)	99-8813-029	1
1,1	U-Bolt	99-1108-101	2
1.2	Chain Swing Anchor	99-1113-010	4
1.3	Nut, Nylock, 1/2"-13	99-8813-005	4
1.4	Chain	99-8813-024	2
1.5	Cut Washer, 7/16"	99-8813-026	8
1.6	Cotter Pin, 1/8"x1.00"	99-8813-028	4
1.7	Clevis Pin, 7/16"x1.25"	99-8813-027	4

7 Platform Conspicuity Decals



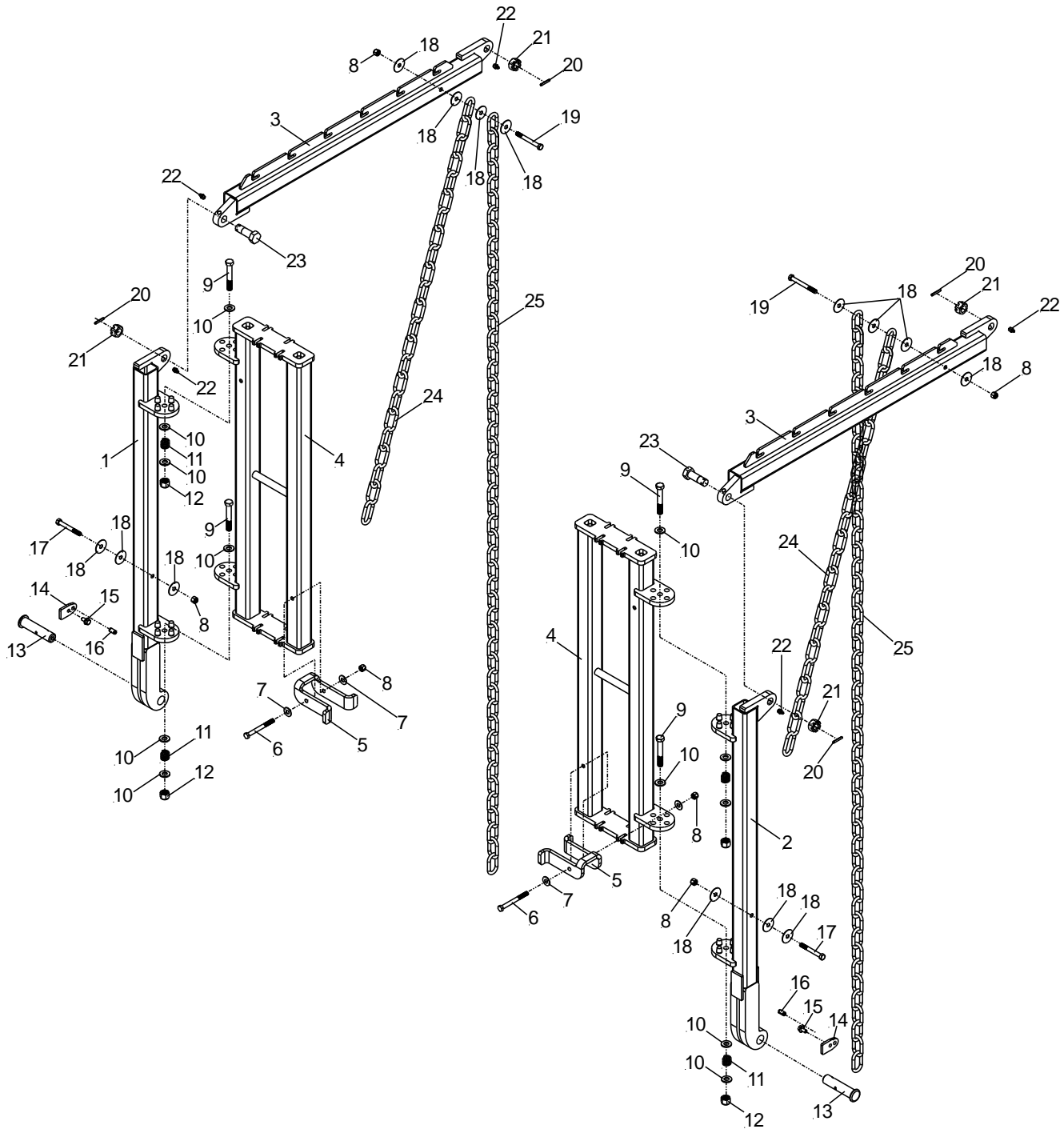
Steel Platform



Steel Slotted Platform

7 – CONSPICUITY TAPE DECALS			
NO.	DESCRIPTION	PART NO.	QTY.
1	Conspicuity Tape, Steel Slotted Platform, 96"W	85-1114-001	4
	Conspicuity Tape, Steel Slotted Platform, 102"W	85-1114-003	4
	Conspicuity Tape, Steel Platform, 96"W	85-1114-001	4
	Conspicuity Tape, Steel Platform, 102"W	85-1114-003	4

8 Platform Railing



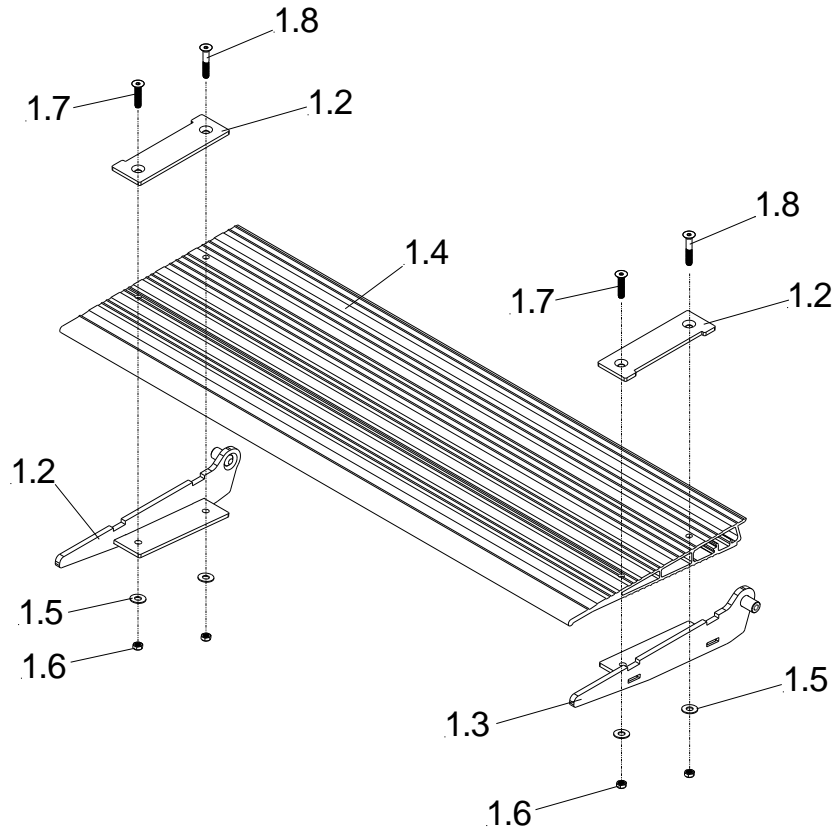
Palfinger Liftgates, LLC.
15939 Piuma Ave, Cerritos, CA 90703
Tel: (888) 774-5844, Fax: (562) 924-8318

Palfinger Liftgates, LLC.
572 Whitehead Road, Trenton, NJ 08619
Tel: (609) 587-4200, Fax: (609) 587-4201

8 – PLATFORM RAILING			
NO.	DESCRIPTION	PART NO.	QTY.
1	Railing Post Assembly, Left Side	24-1113-100	1
2	Railing Post Assembly, Right Side	24-1113-110	1
3	Top Railing Arm Assembly, Left/Right	24-1113-120	2
4	Railing Swing Door Assembly, Left/Right	24-1113-130	2
5	Latch, Ramp	24-1113-132	2
6	Hex Head Cap Screw, 3/8-16x3.75", Gr.5, Zinc	ES3500	2
7	Washer, Flat,3/8", USS, Zinc	EK3216	4
8	Nut, Nylock, 3/8-16, Gr.2, Zinc	EM-695	22
9	Hex Head Cap Screw, 1/2-13x3.25", Gr.5, Zinc	ES3499	4
10	Washer, Flat,1/2", SAE	EK2796	12
11	Spring, Door Lock	24-1113-141	4
12	Nut, Nylock, 1/2"-13	EM-707	2
13	Pin, Platform Hinge	45-1111-111	2
14	Key Plate, Hinge Pin	45-1111-112	2
15	Bolt, Flanged, M8x1.25x16mm	ES1451	2
16	Pin, Spring, 3/8x0.75", Slotted, Zinc	EQ1632	2
17	Hex Head Cap Screw, 3/8-16x3", Gr.2, Zinc	ES3445	2
18	Washer, 3/8, 1.5" OD Gr.2	EK3210	14
19	Hex Head Cap Screw, 3/8-16x3.5", Gr.5, Zinc	ES3501	2
20	Pin, Spring, 3/16x1.25", Slotted, Stainless	EQ1633	4
21	Nut, Castle, 3/4-10, Gr.5, Steel	EM-723	4
22	Grease Fitting, M10x1mm	EA-005	6
23	Pin, Railing Hinge	24-1113-001	2
24	Chain, 1/4x46.5", 1300lb, Gr 30, Zinc	EZ6294	2
25	Chain, 1/4x96", 1300lb, Gr 30, Zinc	EZ6293	2

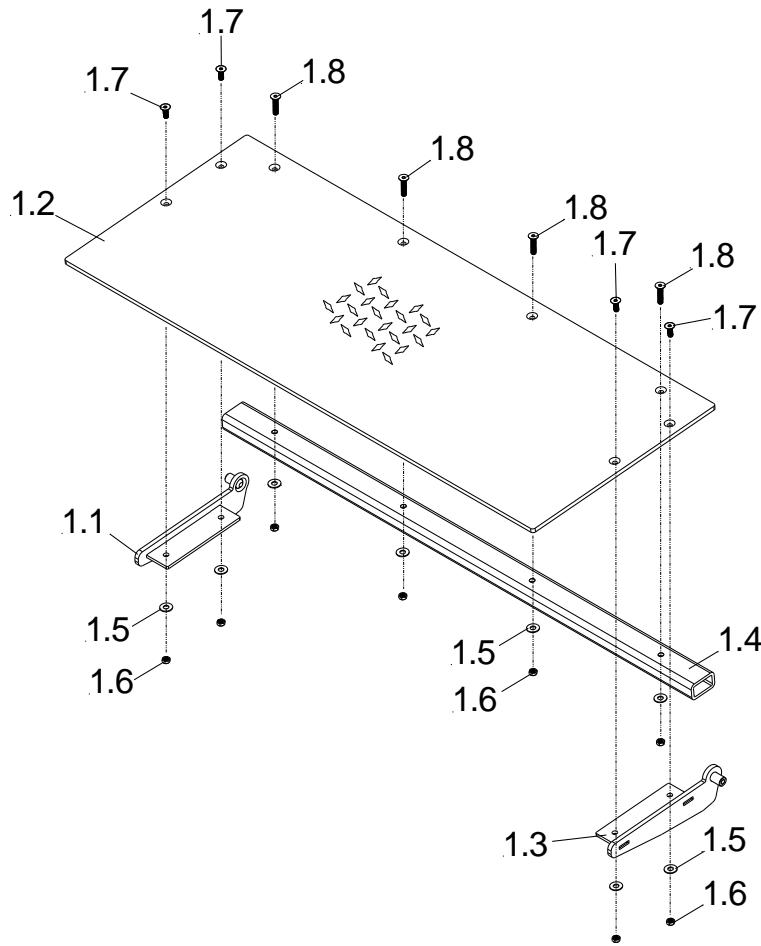
9 Ramps

9.1 Ramp 16”



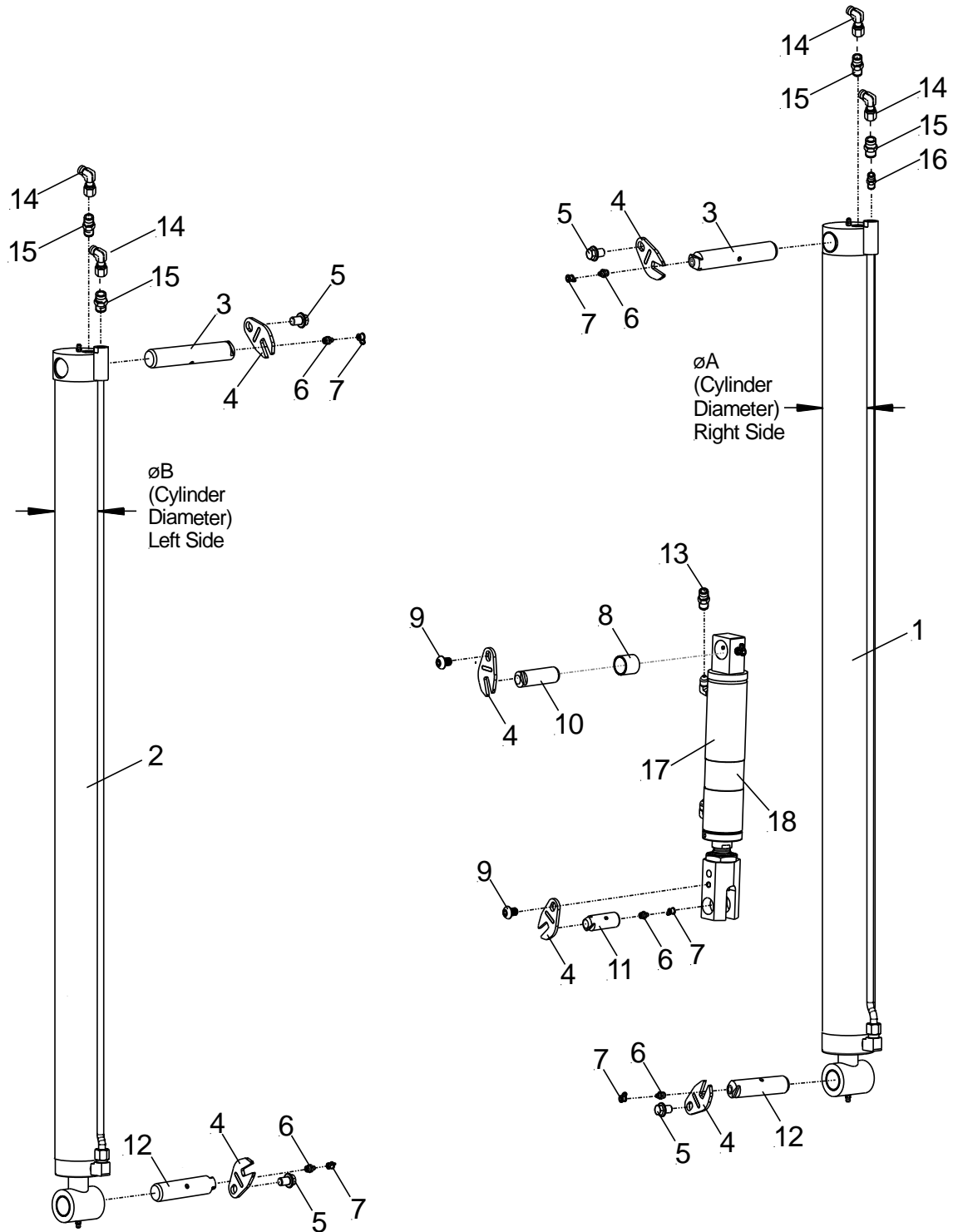
9.1 – 16” RAMPS			
NO.	DESCRIPTION	PART NO.	QTY.
1	Retention Ramp Kit, Aluminum, 16”x45”W, 96”W	23-1113-150	1
	Retention Ramp Kit, Aluminum, 16”x54”W, 96”W	23-1113-100	1
1.1	Side Bar Assembly, Left Side	23-1113-110	1
1.2	Ramp Bolt Plate	23-1113-114	2
1.3	Side Bar Assembly, Right Side	23-1113-120	1
1.4	Retention Ramp Extrusion, 45”	23-1113-151	1
	Retention Ramp Extrusion, 51”	23-1113-101	1
1.5	Washer 3/8 Stainless	EK3287	4
1.6	Nut, Nylock, 3/8-16, Stainless	EM 694	4
1.7	Flat Head Cap Socket Cap Screw, 3/8-16 x 1.75”, Stainless	ES3583	2
1.8	Flat Head Cap Socket Cap Screw, 3/8-16 x 2.25”, Stainless	ES3584	2

9.2 Ramp- 20”



9.2 – 20” RAMPS			
NO.	DESCRIPTION	PART NO.	QTY.
1	Ramp Kit, Aluminum, 20"x45", 96"W	23-1114-200	1
	Ramp Kit, Aluminum, 20"x51", 102"W	23-1114-100	1
1.1	Side Bar Assembly, Left Side	23-1114-110	1
1.2	Ramp Plate, Aluminum, Diamond Plate	23-1114-114	1
	Ramp Plate, Aluminum, Diamond Plate	23-1114-214	1
1.3	Side Bar Assembly, Right Side	23-1114-120	1
1.4	HD Ramp Stiffener	23-1115-300	1
1.5	Washer, Flat, 3/8" USS, Zinc	EK3216	8
1.6	Nut, Nylock, 3/8-16, Half Height	EM-709	8
1.7	Flat Head Socket Cap Screw, 3/8-16 x 1.00", Gr.5, Zinc	ES3452	4
1.8	Flat Head Socket Cap Screw, 3/8-16 x 1.75", Zinc	ES3734	4

10 Cylinders

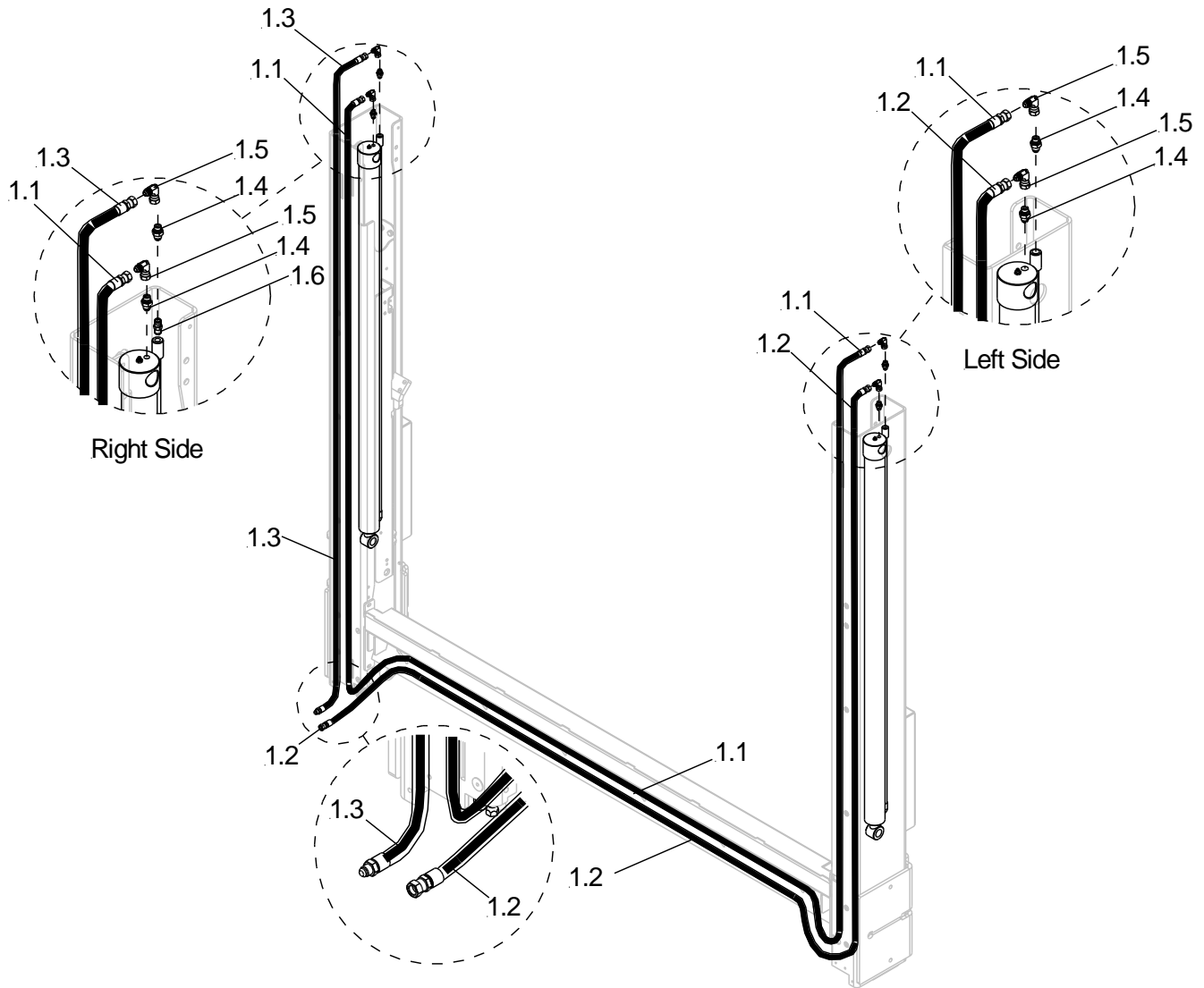


Palfinger Liftgates, LLC.
15939 Piuma Ave, Cerritos, CA 90703
Tel: (888) 774-5844, Fax: (562) 924-8318

Palfinger Liftgates, LLC.
572 Whitehead Road, Trenton, NJ 08619
Tel: (609) 587-4200, Fax: (609) 587-4201

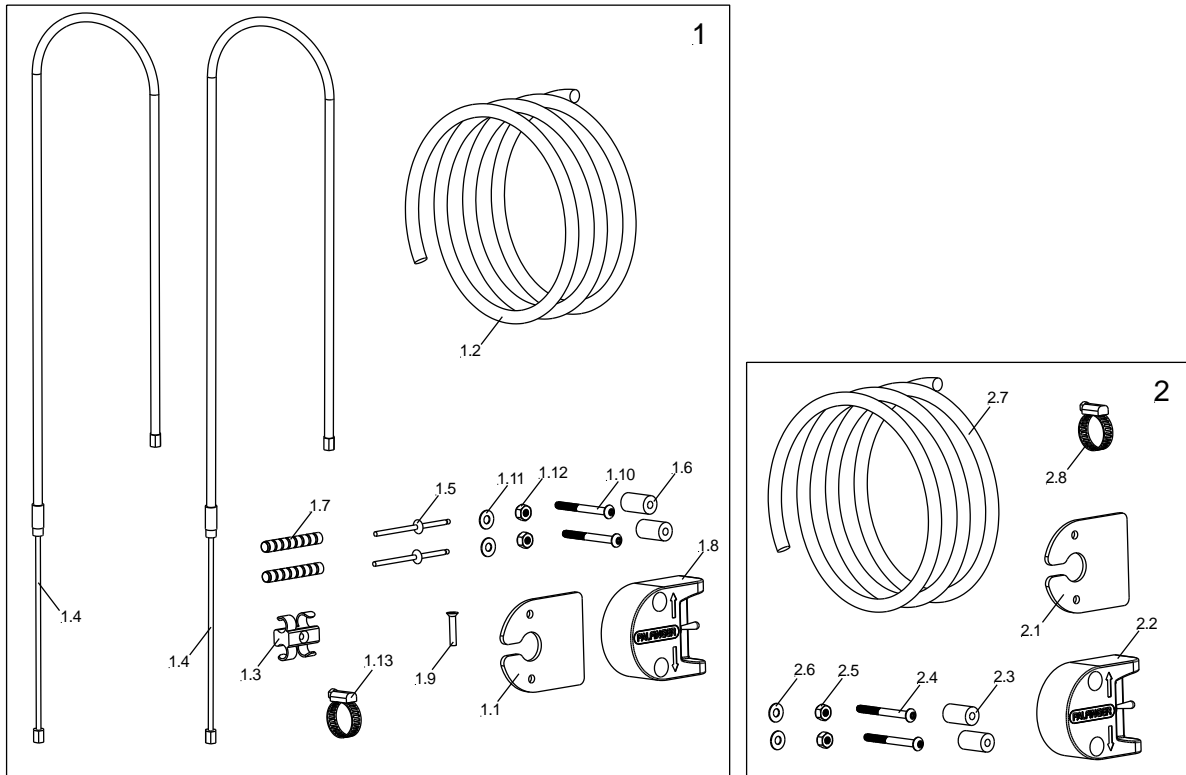
10 - CYLINDERS						
NO.	DESCRIPTION	PART NO.				QTY.
		ILD 35	ILD 44	ILD 55	ILD 66	
∅A	Cylinder Outer Diameter – Right Side	65MM [2-1/2"]	65MM [2-1/2"]	73MM [2-7/8"]	73MM [2-7/8"]	1
∅B	Cylinder Outer Diameter – Left Side	73MM [2-7/8"]	73MM [2-7/8"]	80MM [3-1/8"]	80MM [3-1/8"]	1
1	Lift Cylinder, 1450mm [57"] L, Right Side	P-2020887	P-2020887	P-2014599	P-2014599	1
2	Lift Cylinder, 1450mm [57"] L, Left Side	P-2014599	P-2014599	P-2014598	P-2014598	1
3	Pin, ∅28mmx153mm, Grease Zerk	2048626	2048626	2048626	2048626	2
4	Pin Plate, Small	2028340	2028340	2028340	2028340	6
5	Bolt, M12x16mm	2039050	2039050	2039050	2039050	6
6	Grease Fitting, M10x1x15.3mm	EA-005	EA-005	EA-005	EA-005	1
7	Cap, Plastic, Red	P-1191680	P-1191680	P-1191680	P-1191680	1
8	Bushing, 25mmx14mm, Bronze	ELG1034	ELG1034	ELG1034	ELG1034	1
9	Button Head Cap Screw, M12-1.75x16mm, Cl. 10.9, Zinc	ES4159	ES4159	ES4159	ES4159	1
10	Pin, ∅25mmx75mm, (No Grease Zerk)	2036456	2036456	2036456	2036456	1
11	Pin, ∅25mmx62mm, Grease Zerk	2048720	2048720	2048720	2048720	1
12	Pin, ∅28mmx110mm, Grease Zerk	2049465	2049465	2049465	2049465	1
13	Restrictor, 0.022" Orif, 1/4" JIC Male – 1/4" JIC Female	EA6552	EA6552	EA6552	EA6552	1
14	Elbow, 90°, Male 3/8" JIC - Female 3/8" JIC	EA6028	EA6028	EA6028	EA6028	4
15	Adaptor, Male 1/4" BSPP - Male 1/4" BSPP	EA6020	EA6020	EA6020	EA6020	1
16	Restrictor No.10 (Only On Right Side)	P-2022283	P-2022283	P-2022283	P-2022283	1
17	Open-Close Cylinder Including Adjusting Head	P-2022188	P-2022188	P-2022188	P-2022188	1
18	Open-Close Cylinder Rebuild Kit (Internal Seal,Rings, etc, Only)	P-1408753	P-1408753	P-1408753	P-1408753	1

11 Cylinder Hoses



11- CYLINDER HOSES			
NO.	DESCRIPTION	PART NO.	QTY.
1	Kit, Hydraulic Hoses and Fittings	80-1115-204	1
1.1	Hydraulic Hose, 292", 3/8" JIC Female – 3/8" JIC Female	80-1113-201	1
1.2	Hydraulic Hose; 204", 3/8" JIC Female – 3/8" JIC Female	80-1113-202	1
1.3	Hydraulic Hose; 108", 3/8" JIC Male – 3/8" JIC Female	80-1113-203	1
1.4	Adapter, 1/4" BSPP Male - 3/8" JIC Male	EA1010	4
1.5	Elbow, 90°, 3/8" JIC Female	EA6028	4
1.6	Restrictor, 0.031", (Curb Side Only)	P-2022283	1

12 Hose and Switch Kit



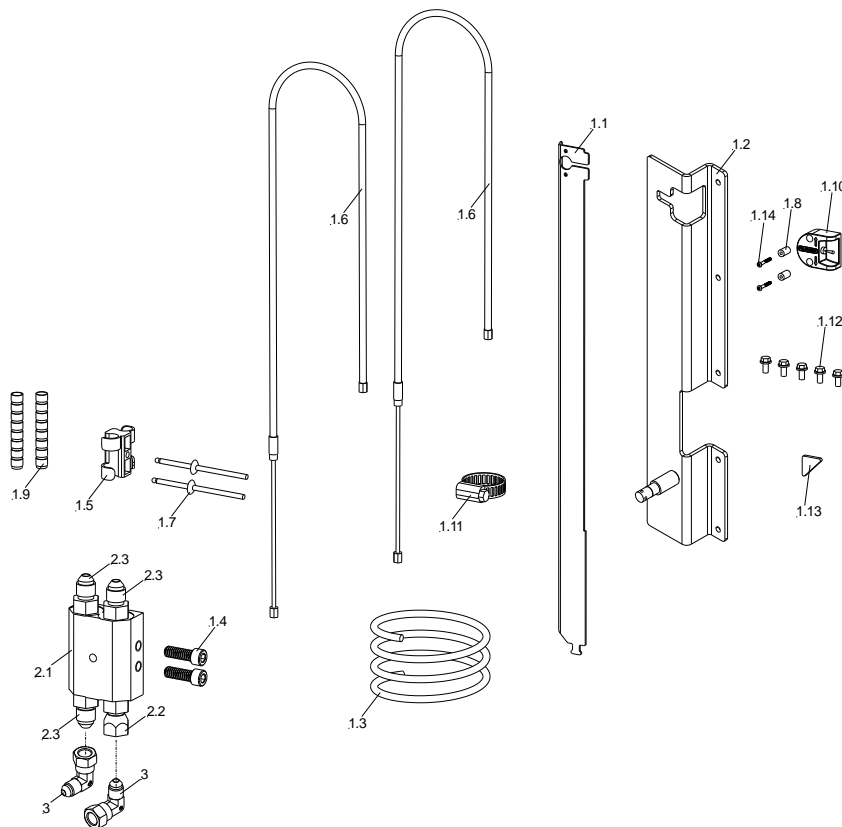
12 - HOSE AND SWITCH KIT			
NO.	DESCRIPTION	PART NO.	QTY.
1	Kit, Hose And Switch, With Hardware	80-1113-302	1
1.1	Backing Plate, Toggle Switch	03-1111-121	1
1.2	Expandable Mesh Sleeve	80-1111-201	1
1.3	Double Line Clamp	80-1113-003	1
1.4	Hydraulic Hose	80-1114-310	2
1.5	Rivet, 1/8" Diameter X 1" Length	99-8813-045	2
1.6	Spacer, 0.5" OD, 0.192" ID	99-8813-067	2
1.7	Split Loom, 1/4" ID X 2"	EZ7259	2
1.8	Toggle Switch	P-2004565	1
1.9	Flat Head Screw, #8-32 X 7/8" Zinc	ES3458	1
1.10	Button Head Cap Screw, 10-24 X 2", Zinc	99-8813-070	2
1.11	Washer, Flat, #10, Zinc	99-8813-072	2
1.12	Nut, Nylock 10-24 Gr.5 Zinc	EM 697	2
1.13	Hose Clamp, SAE, Size 6	3112225	1
2	Kit, Toggle Switch, With Hardware	80-1113-303	1
2.1	Backing Plate, Toggle Switch	03-1111-121	1
2.2	Toggle Switch	P-2004565	1
2.3	Spacer, 0.5" OD, 0.192" ID	99-8813-067	2
2.4	Button Head Cap Screw, 10-24 X 2", Zinc	99-8813-070	2
2.5	Washer, Flat #10, Zinc	99-8813-072	2
2.6	Nut, Nylock 10-24 Gr.5 Zinc	EM 697	2
2.7	Expandable Mesh Sleeve	EZ7261	1
2.8	Hose Clamp, SAE, Size 6	3112225	1

Palfinger Liftgates, LLC.
 15939 Piuma Ave, Cerritos, CA 90703
 Tel: (888) 774-5844, Fax: (562) 924-8318

Palfinger Liftgates, LLC.
 572 Whitehead Road, Trenton, NJ 08619
 Tel: (609) 587-4200, Fax: (609) 587-4201

13 Hose Guard Kit

Palfinger Liftgates use galvanized, galvanealed, power coat, paint, zinc, and other finishes on different liftgate models. It is important to specify what type of finish is required for the ordered replacement parts.

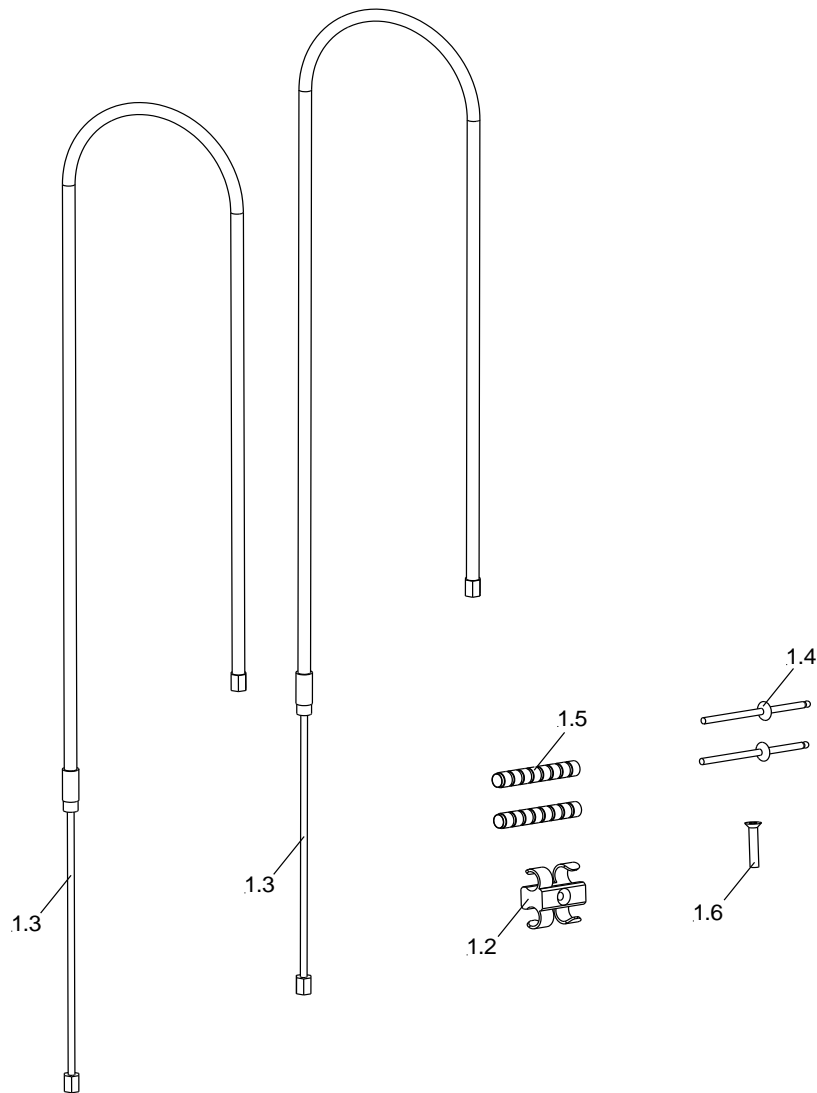


13- HOSE GUARD KIT			
NO.	DESCRIPTION	PART NO.	QTY.
1.1	Toggle Switch Bracket Weldment	03-1112-010	1
1.2	Bolt-On, Hose Guard	24-1113-700	1
1.3	Expandable Mesh Sleeve	EZ7261	1
1.4	Socket Head Cap Screw, 1/4-20 X 3/4", Zinc	ES2515	2
1.5	Double Line Clamp	80-1113-003	1
1.6	Hydraulic Hose	80-1114-310	2
1.7	Rivet, 1/8" Diameter X 1" Length	99-8813-045	2
1.8	Spacer, 0.5" OD, 0.192" ID	99-8813-067	2
1.9	Split Loom, 1/4" I.D. X 2"	EZ7259	2
1.10	Toggle Switch	P-2004565	1
1.11	Hose Clamp, SAE, Size 6	3112225	1
1.12	Bolt, Thread Rolling	ES3453	5
1.13	Plate, Gusset	22-1108-107	1
1.14	Button Head Cap Screw, 10-24 X 1-1/2", Zinc	ES 3470	2
2	Hydraulic Junction Block Kit	80-1113-000	1
2.1	Hydraulic Junction Block	80-1113-001	1
2.2	Adapter, 1/4 BSPP – 1/4 JIC, , Male-Female, Zinc	HV 765	1
2.3	Adapter, 1/4 BSPP – 1/4 JIC, Male-Male, Zinc	HV 764	3
3	Elbow Fitting, 90°, 1/4" JIC Female-Swivel – Male, Zinc	EA6033	2

Palfinger Liftgates, LLC.
 15939 Piuma Ave, Cerritos, CA 90703
 Tel: (888) 774-5844, Fax: (562) 924-8318

Palfinger Liftgates, LLC.
 572 Whitehead Road, Trenton, NJ 08619
 Tel: (609) 587-4200, Fax: (609) 587-4201

14 Hose and Hardware Kit



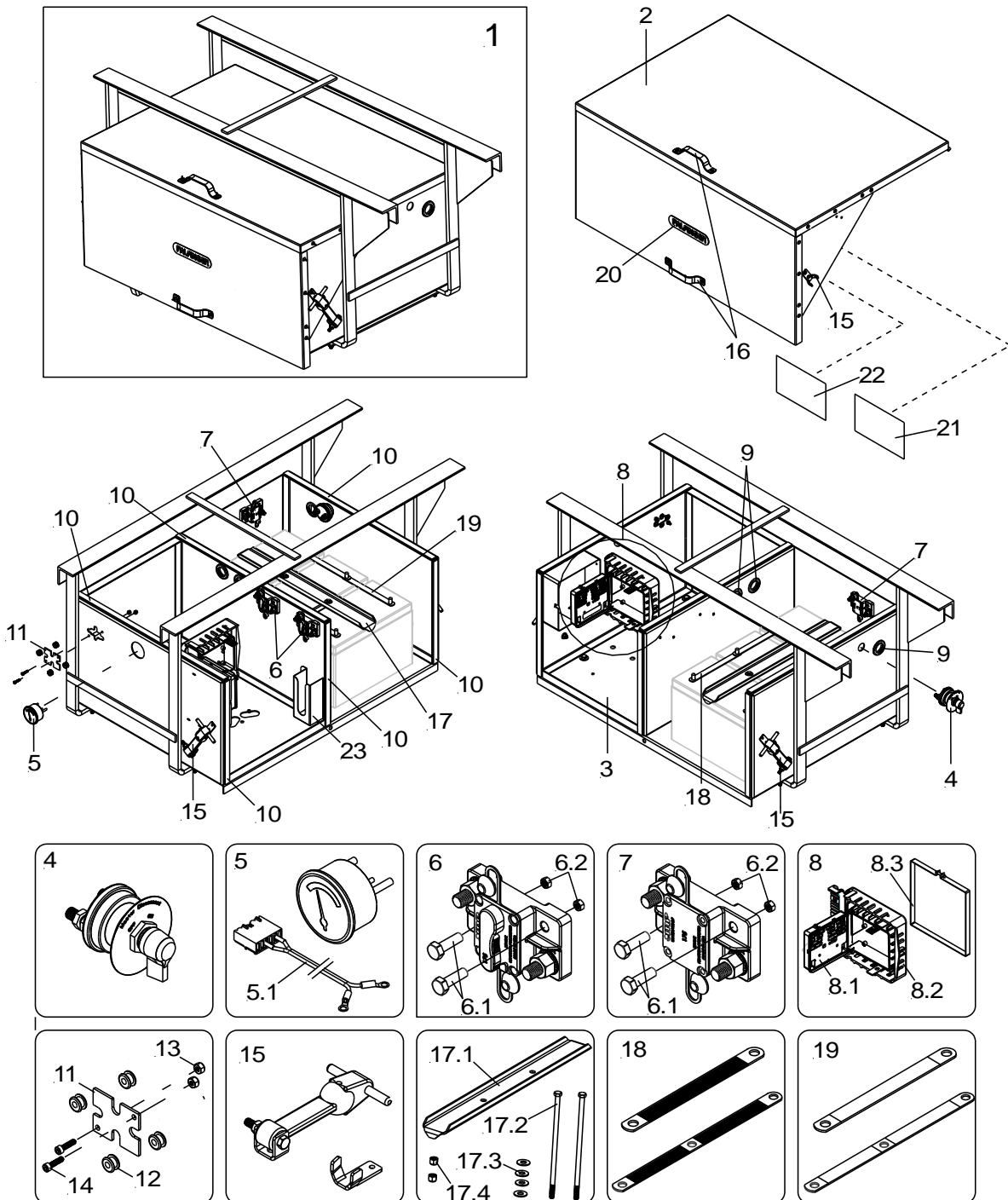
14 - HOSE AND HARDWARE KIT			
NO.	DESCRIPTION	PART NO.	QTY.
1	Kit, Hose And Hardware	80-1113-301	1
1.2	Double Line Clamp	80-1113-003	1
1.3	Hydraulic Hose	80-1114-310	2
1.4	Rivet, 1/8" Diameter X 1" Length	99-8813-045	2
1.5	Split Loom, 1/4" I.D. X 2"	EZ7259	2
1.6	Flat Head Screw, #8-32 X 7/8" Zinc	ES3458	1

Palfinger Liftgates, LLC.
 15939 Piuma Ave, Cerritos, CA 90703
 Tel: (888) 774-5844, Fax: (562) 924-8318

Palfinger Liftgates, LLC.
 572 Whitehead Road, Trenton, NJ 08619
 Tel: (609) 587-4200, Fax: (609) 587-4201

15 Battery Box (Prior to February 2021)

Palfinger Liftgates use galvanized, galvanealed, power coat, paint, zinc, and other finishes on different liftgate models. It is important to specify what type of finish is required for the ordered replacement parts.



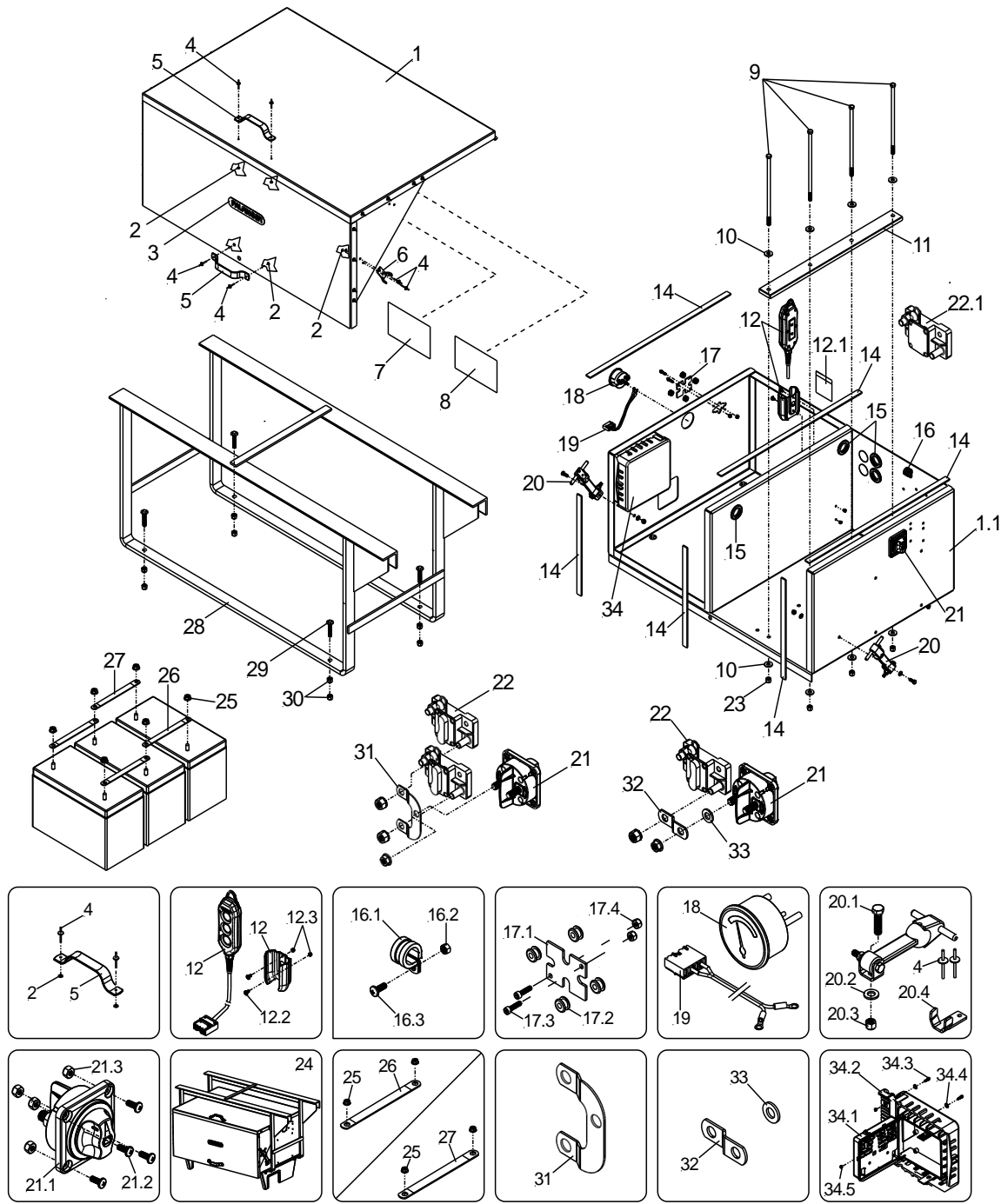
Palfinger Liftgates, LLC.
15939 Piuma Ave, Cerritos, CA 90703
Tel: (888) 774-5844, Fax: (562) 924-8318

Palfinger Liftgates, LLC.
572 Whitehead Road, Trenton, NJ 08619
Tel: (609) 587-4200, Fax: (609) 587-4201

15 – BATTERY BOX			
NO.	DESCRIPTION	PART NO.	QTY.
1	Battery/Pump Box Assembly, Box, Lid , Carrier	80-1113-520	1
	Battery/Pump Box Assembly, Box, Lid , Carrier (After March 2018)	50-1117-005	1
2	Battery Box Lid, Aluminum	60-1114-010	1
3	Battery Box Enclosure, Steel	80-1113-509	1
	Battery Box Enclosure, Steel (After March 2018)	50-1117-200	1
4	Master Disconnect Switch	70-8015-017	1
5	Voltmeter, 8-18V	70-1109-201	1
5.1	Harness, Voltmeter	KET05800A	1
6	Circuit Breaker, 175A, Manual Reset, 3/8" Studs	70-8114-009	2
6.1	Hex Head Cap Screw, 1/4-20x1.0" Gr.5, Zinc	ES3443	6
6.2	Nut, Nylock 1/4-20 Zinc	ES3420	6
7	Circuit Breaker, 175A, Auto Reset, 3/8" Studs	70-8114-008	1
8	M-Board PC Kit, Premium, ILD+	ML75-1121-110	1
8.1	M-Board (PBC), Premium	P-2029092	1
8.2	Cover, 7x7,M-Board	P-2029906	1
8.3	Clamp	EZ7230	1
8.4	Decal, Schematic	P-2029907	1
8.5.1	M-Board PC Kit, Premium, ILD+ (Complete w/Harness and Controls)	P-2032695	1
9	Grommet, Push-In, Ø1.25" ID	EK3340	3
10	Rubber Seal Strip, 14"	99-8712-098	3
	Rubber Seal Strip, 24"	99-8712-098	3
11	Side Cover	80-1113-521	1
12	Grommet, Push-In, Ø0.25" ID	EK3339	4
13	Nut, Nylock 10-24, Gr.2, Zinc	EM 730	2
14	Socket Head Cap Screw, 10-24 X 3/4" Zinc	ES3448	2
15	Kit, Hood Catch	80-1113-533	2
16	Handle, Battery Box Cover	99-8814-010	2
17	Kit, Battery Strap Kit	99-7515-001	1
17.1	Bracket, Battery Hold Down	60-7515-200	1
17.2	Hex Head Cap Screw, 3/8-16 X 9.50"; Gr. 2	ES3781	2
17.3	Washer, Flat, 3/8", USS, Zinc	EK3216	4
17.4	Nut, Nylock 3/8-16, Gr.5, Zinc	EM-708	2
18	Bus Bar, 2-Battery, Black	KET05916A	1
	Bus Bar, 3-Battery, Black	KET05961A	1
19	Bus Bar, 2-Battery, Red	KET06062A	1
	Bus Bar, 3-Battery, Red	KET05962A	1
20	Decal, Palfinger Logo, Yellow	P-2038837	1
21	Decal, Fault Codes, M-Board	85-1117-000	1
22	Decal, Electrical Schematic	85-1113-100	1
23	Holster, Control (Before March 2018)	80-1113-505	1

16 Battery Box (After to February 2021)

Palfinger Liftgates use galvanized, galvanealed, power coat, paint, zinc, and other finishes on different liftgate models. It is important to specify what type of finish is required for the ordered replacement parts.



Palfinger Liftgates, LLC.
15939 Piuma Ave, Cerritos, CA 90703
Tel: (888) 774-5844, Fax: (562) 924-8318

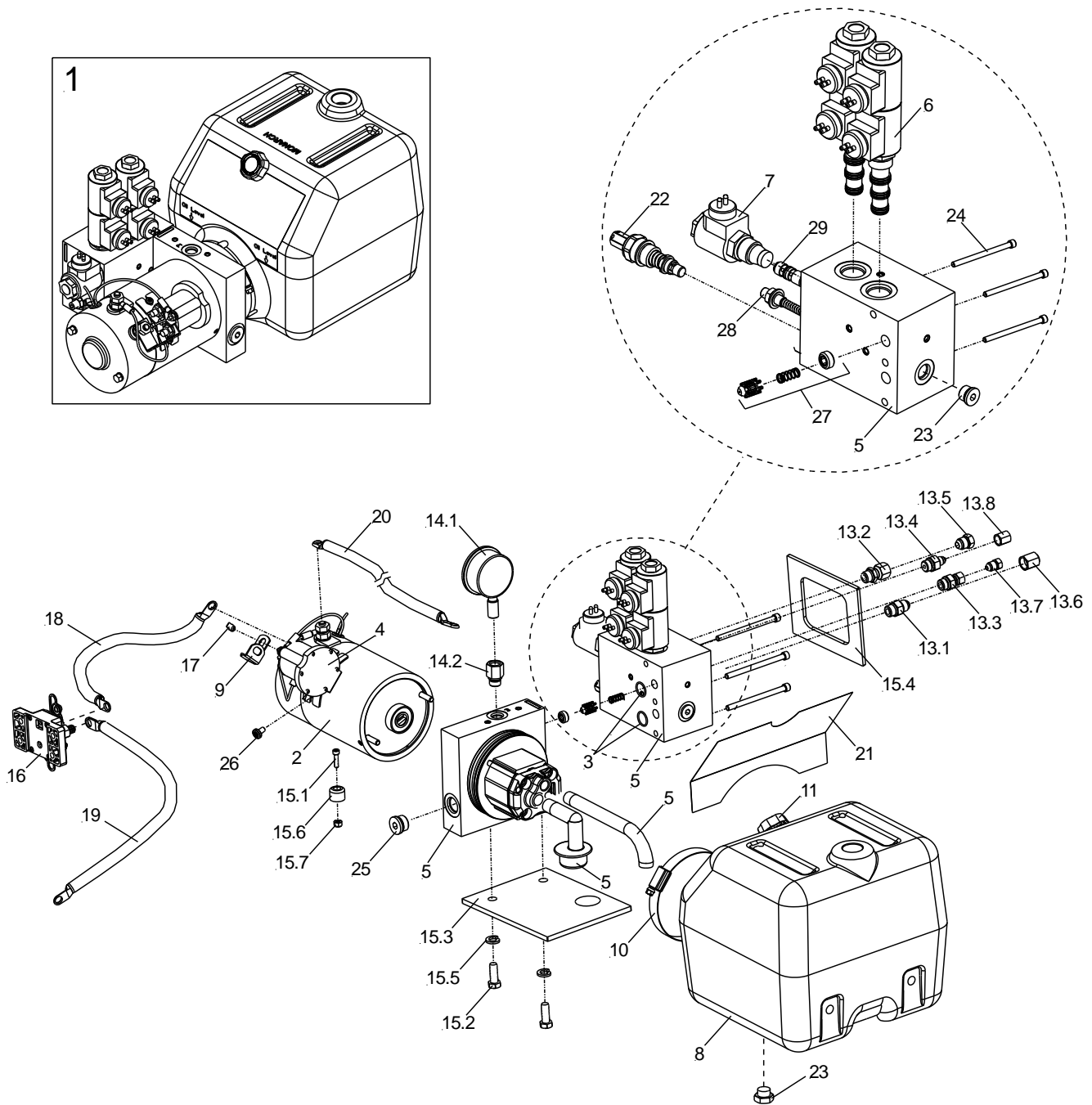
Palfinger Liftgates, LLC.
572 Whitehead Road, Trenton, NJ 08619
Tel: (609) 587-4200, Fax: (609) 587-4201

23 – BATTERY BOX			
NO.	DESCRIPTION	PART NO.	QTY.
1	Battery/Pump Box Cover, Aluminum, 38"Wx18"Hx27"D	50-1121-000	1
1.1	Battery/Pump Box Base, Weldment, Steel	50-1120-200	1
2	Washer, Flat, 3/16" ID X 1/2" OD, Steel, Zinc	EK3422	6
3	Decal Palfinger	P-2038837	1
4	Rivet. 3/16x0.45", Stainless Steel 18-8	EK3207	8
5	Grab Handle, 5.75" Hole Spacing	99-8814-010	2
6	Hood Catch	99-8814-053	2
7	Decal, Fault Codes, M-Board, Premium	85-1117-000	1
8	Decal, Electrical Schematic, 8.80"x5.50"	85-1118-000	1
9	Hex Head Cap Screw, 3/8-16x10", Gr. 2, Steel, Zinc	ES4287	4
10	Washer, Flat, 3/8" USS, Zinc	EK3216	8
11	Battery Hold Down; Nylon 6, 3-Battery	60-7520-012	1
12	Hand Remote, w/Holster, J31	P-2053050	1
12.1	Hand Remote Decal	85-1117-003	1
12.2	Screw, Pan, M5-0.8 X 10mm	ES3581	2
12.3	Nut, Nylock, M5-0.8 Zinc	EM 736	2
14	Rubber Seal Strip, 3/4"	99-8712-098	6
15	Grommet, Push-In, Flexible Rubber, 1-1/4" ID, 1-7/8" OD	EK3340	4
16.1	Clamp, Steel Cushion, 5/8"	EQ1744	1
16.2	Machine Screw, #10-24 X 1/2", Zinc	ES3440	1
16.3	Nut, Nylock, #10-24, Gr.5, Zinc	EM-697	1
17.1	Side Cover	80-1113-521	1
17.2	Grommet, Push-In, Flexible Rubber, 1/4" ID, 5/8" OD	EK3339	4
17.3	Socket Head Cap Screw, #10-24 X 3/4" Zinc	ES3448	2
17.4	Nut, Nylock, 10-24, Gr.2, Zinc	EM 730	2
18	Voltmeter, 8-18V	70-1109-201	1
19	Voltmeter Harness, J3/J30 to Ring Terminal	KET5800	1
20	Hood Catch Kit	80-1113-533	2
20.1	Hex Head Cap Screw, 1/4-20x3/4", Gr.5, Zinc	ES3447	2
20.2	Washer, Flat, 1/4" USS, Zinc	EK3218	2
20.3	Nut, Nylock, 1/4-20, Gr.5, Zinc	EM 713	2
20.4	Hood Catch	99-8814-053	2
21.1	Switch, Master Disconnect, Poly	70-8020-001	1
21.2	Machine Screw, #10-24 X 1/2", Zinc	ES3440	4
21.3	Nut, Nylock, #10-24 Gr.5 Zinc	EM-697	4
22	Circuit Breaker, 175A, 3/8" Studs	70-8114-009	1
22.1	Circuit Breaker, 175A, Auto Reset, 3/8" Studs	70-8114-008	1
23	Nut, Nylock, 3/8-16, Gr.5, Zinc	EM-708	4
24	Battery, AGM, Group 31	3-49998	3
	Battery, Lead/Acid, Group 31	3-49999	3
25	Nut, Serrated, 3/8-16, Stainless Steel	EM 781	6
26	Bus Bar, 2-Battery, Red	KET06062A	2
27	Bus Bar, 2-Battery, Black	KET05916A	2
28	Battery Box Carrier, Assembly	80-1120-100	4
29	Carriage Bolt, 3/8-16x2.00", Gr.8, Zinc	ES4305	4
30	Nut, Nylock, 3/8-16, Gr. 8	EM 698	4
31	Bus Bar, U-Shape, Copper	KET06870A	1
32	Bus Bar, 0.09"x0.75"x2.50", Offset, Copper	KET06537A	1
33	Washer, Flat, M10, Copper	EZ4058	1
34.1	PC Board	P-2029092	1
34.2	PC Board Cover	P-2029906	1
34.3	Socket Head Cap Screw, M5-0.8x16mm	ES3699	2
34.4	Washer, M5, Oversized	EK 153	2
34.5	Hex Nut, M5, Din 934-8	EM 018	2
35	Battery/Pump Box Assembly, Box, Cover , Carrier	50-1120-020	1

Palfinger Liftgates, LLC.
 15939 Piuma Ave, Cerritos, CA 90703
 Tel: (888) 774-5844, Fax: (562) 924-8318

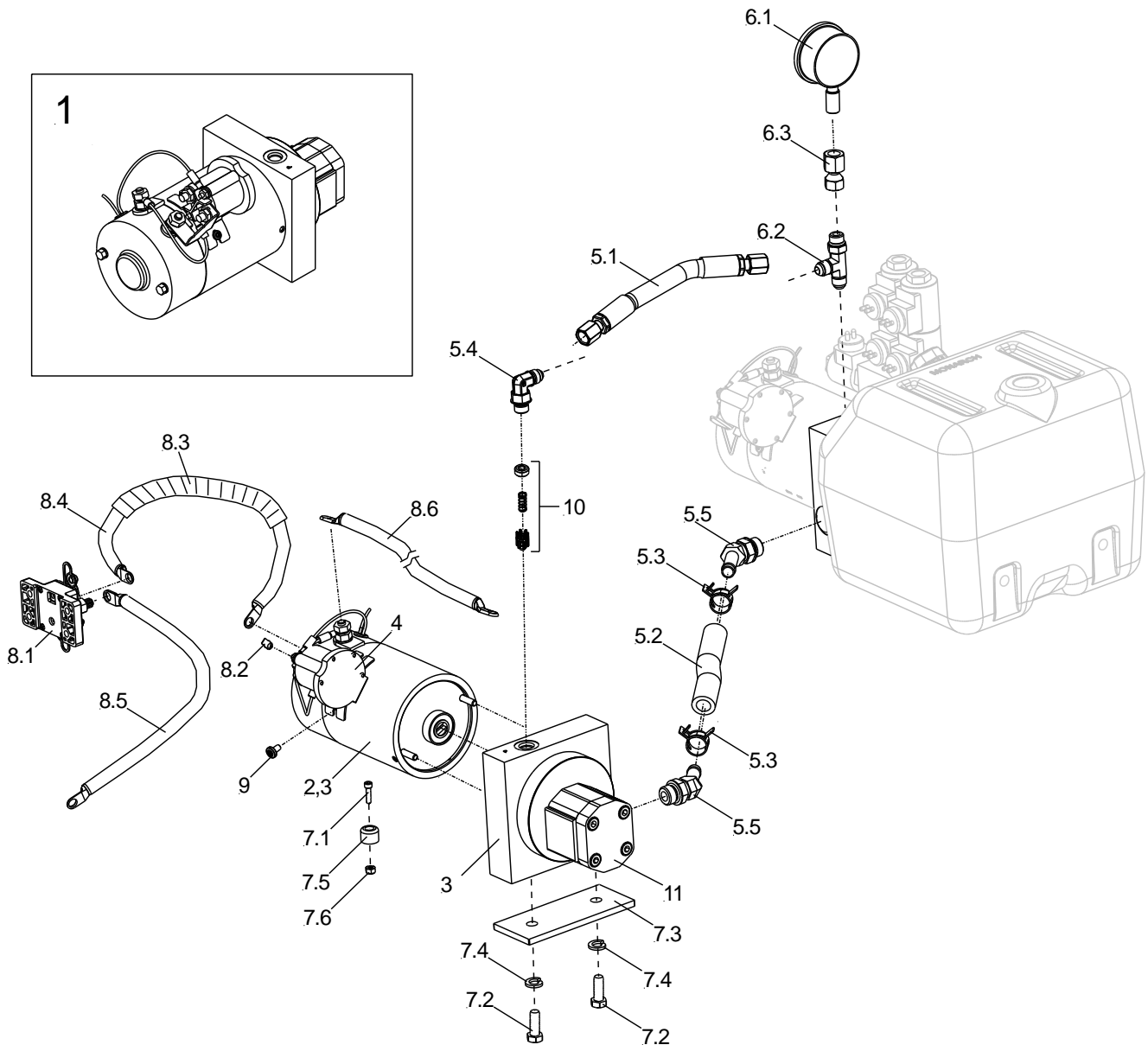
Palfinger Liftgates, LLC.
 572 Whitehead Road, Trenton, NJ 08619
 Tel: (609) 587-4200, Fax: (609) 587-4201

17 Pump and Motor - Primary Pump (After March 2018)



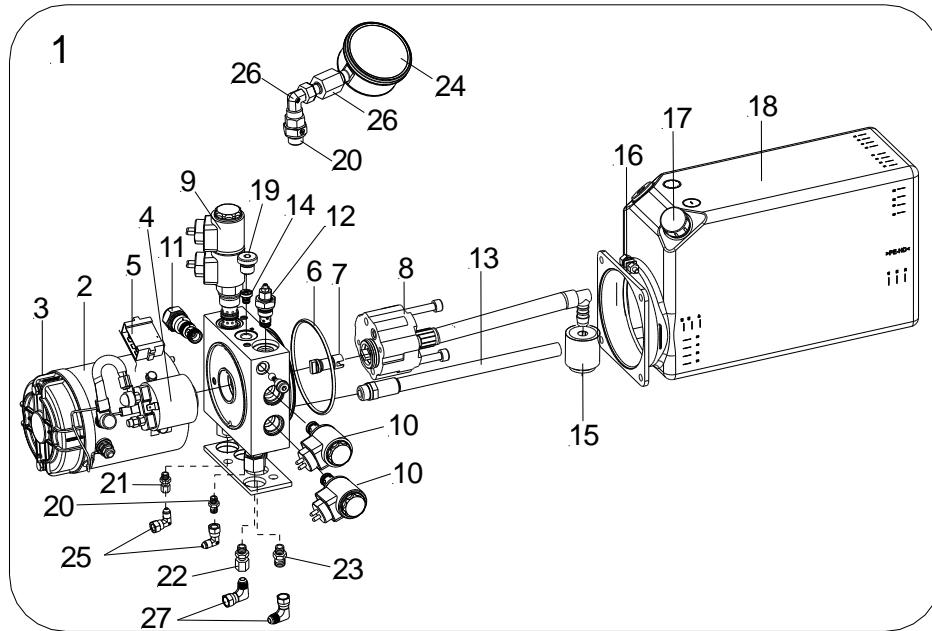
17 – PUMP AND MOTOR - PRIMARY PUMP			
NO.	DESCRIPTION	PART NO.	QTY.
1	Power Pack, Primary, Pump & Motor, 1.7CC, 12VDC	50-1117-001	1
	Power Pack, Primary, Pump & Motor, 1.7CC, 24VDC	50-1118-102	1
2	Motor, 12VDC	50-1118-007	1
	Motor, 24VDC	50-1118-008	1
3	O-Ring, 0.63"X 0.75"X 0.06"	50-1118-014	2
4	Motor Solenoid, 12VDC	50-1118-009	1
	Motor Solenoid, 24VDC	50-1118-010	1
5	Pump, Incl. Coupler, Pipe, Filter	50-1118-012	1
6	Two Way Release Valve	P-2021832A	2
7	Single Locking Release Valve	P-67282345	1
8	Oil Reservoir	50-1118-002	1
9	Bracket, Copper Bridge, Solenoid	50-1118-001	1
10	Clamp For Oil Reservoir	50-0313-954	1
11	Breather Cap	50-0709-914	1
12	Pump Filter	50-0709-924	1
13	Fitting Kit, Primary Pump	80-1117-100	1
13.1	Adapter, Male 3/8" JIC - 3/8" ORB	HV 826	1
13.2	Adpater, Female 3/8" JIC - 3/8 ORB	HV 829	1
13.3	Adpater, Female 1/4" JIC - 3/8 ORB	HV 830	1
13.4	Adpater, Male 1/4" JIC - 3/8 ORB	HV 831	1
13.5	Plug, 3/8" JIC Male	EA6022	1
13.6	Cap, 3/8" JIC Female	EA6023	1
13.7	Plug, 1/4" JIC Male	EA6024	1
13.8	Cap, 1/4" JIC Female	EA6025	1
14	Gauge Kit, Primary Pump	80-1117-101	1
14.1	Pressure Gauge	OS3121327	1
14.2	Adapter, 3/8" ORB - 1/4"-18 NPT	HV 836	1
15	Hardware Kit, Primary Pump	99-1117-000	1
15.1	Socket Head Cap Screw, 10-24 X 3/4", Zinc	ES3448	1
15.2	Hex Head Cap Screw, 3/8-16 X 1" ,Gr.5, Zinc	ES3446	2
15.3	Rubber, 2.5" X 5.5" X 1/4"	50-1117-003	1
15.4	Gasket, 5" X 4" X .03"	50-1117-004	1
15.5	Washer; Splitlock, 3/8"	EK3238	2
15.6	Snubber, 3/4"OD X 3/16"ID X 9/16"H	EK3698	1
15.7	Nut, Nylock, 10-24, Gr.2, Zinc	EM 730	1
16	Circuit Breaker, Manual, 175A	70-8114-009	1
17	Electrical Terminal	1474387	1
18	Cable, 20", 3/8" Lugs, Red	KET05919A	1
19	Cable, 35", 3/8" Lugs, Red	KET05920A	1
20	Cable, 35", 3/8" Lugs, Black	KET05921A	1
21	Decal, Oil Level	85-1117-002	1
22	Valve, Relief,Max,HDM10	50-0313-953	1
23	Plug, SAE, 9/16-18, Hex Socket	50-1118-003	2
24	Socket Head Cap Screw, 1/4-20x3.50", Zinc	ES4086	3
25	Plug, SAE, 3/4"-16, Hex Socket	50-1118-004	1
26	Pan Head Screw, #10-32x0.312", Torx Drive	ES4080	2
27	Valve, Check, Primary/Secondary Pump	50-1118-005	1
28	Valve, Assembly, 1001 PSI & Up	50-1118-006	1
29	Valve, Check, Pilot OP, Cart, Zero	50-1118-011	1

18 Pump and Motor – Secondary Pump (After March 2018)



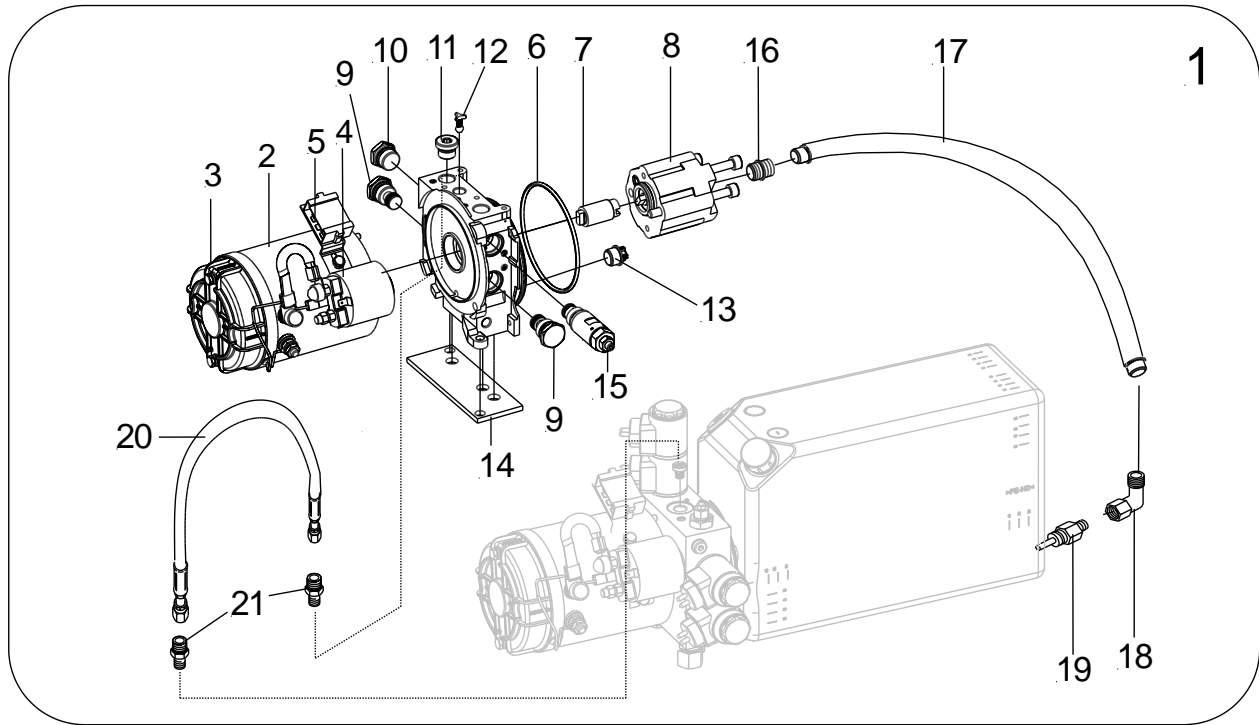
18 – PUMP AND MOTOR – SECONDARY			
NO.	DESCRIPTION	PART NO.	QTY.
1	Power Pack, Secondary- Pump and Motor, 1.7CC, 12V DC	50-1117-002	1
	Power Pack, Secondary- Pump and Motor, 1.7CC, 24V DC	50-1118-103	1
2	Motor, 12VDC	50-1118-007	1
	Motor, 24VDC	50-1118-008	1
3	Pump Block Assembly, Secondary	50-1118-013	1
4	Motor Solenoid, 12V DC	50-1118-009	1
	Motor Solenoid, 24V DC	50-1118-010	1
5	Hydraulic Kit, Secondary Pump	80-1117-200	1
5.1	Hose, Female 3/8 JIC X 7" L	EH14737	1
5.2	Hose, 1/2" ID X 5" L, Raw	EH14739	1
5.3	Hose Clamp, 3/4" OD, Spring-Band	EQ1708	2
5.4	Elbow, Male 3/8 JIC - 3/8 ORB	HV 832	1
5.5	Elbow, 45°, 1/2 ORB - 1/2 BARB	HV 833	2
6	Pressure Gauge Kit, Secondary Pump	80-1117-202	1
6.1	Pressure Gauge	OS3121327	1
6.2	Tee, Male 3/8 JIC - 3/8 ORB RUN	HV 827	1
6.3	Adapter, Female 3/8 JIC – Female 1/4-18 NPTF	HV 828	1
7	Hardware Kit, Secondary Pump	99-1117-001	1
7.1	Socket Head Cap Screw, 10-24 X 3/4", Zinc	ES3448	1
7.2	Hex Head Cap Screw, 3/8-16 X 1" ,Gr.5, Zinc	ES3446	2
7.3	Rubber, 2.5" X 5.5" X 1/4"	50-1117-003	1
7.4	Washer; Splitlock, 3/8"	EK3238	2
7.5	Snubber, 3/4"OD X 3/16"ID X 9/16"H	EK3698	1
7.6	Nut, Nylock, 10-24, Gr.2, Zinc	EM 730	1
8	Electrical Kit, 12V, Secondary Pump	70-1117-300	1
8.1	Circuit Breaker, Manual, 175A	70-8114-009	1
8.2	Electrical Terminal	1474387	1
8.3	Split Loom, 1/2" X 6.25"	EZ7073	1
8.4	Cable, 20", 3/8" Lugs, Red	KET05919A	1
8.5	Cable, 35", 3/8" Lugs, Red	KET05920A	1
8.6	Cable, 35", 3/8" Lugs, Black	KET05921A	1
9	Pan Head Screw, #10-32x0.312", Torx Drive	ES4080	2
10	Valve, Check, Primary/Secondary Pump	50-1118-005	1

19 Pump and Motor - Primary Pump (Prior 2018)



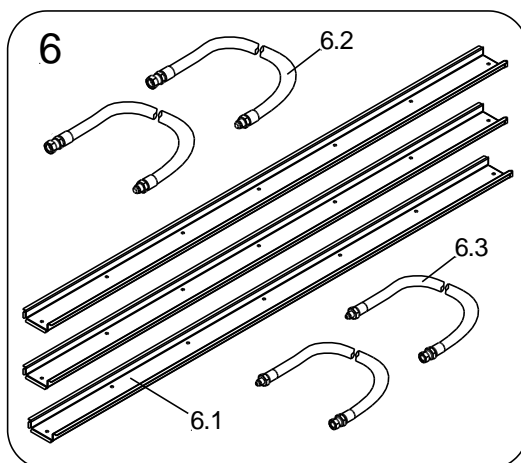
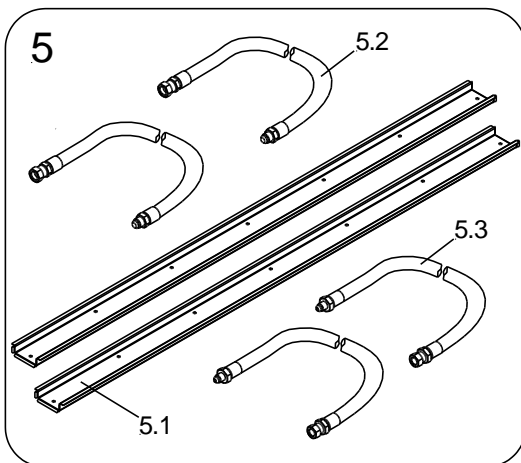
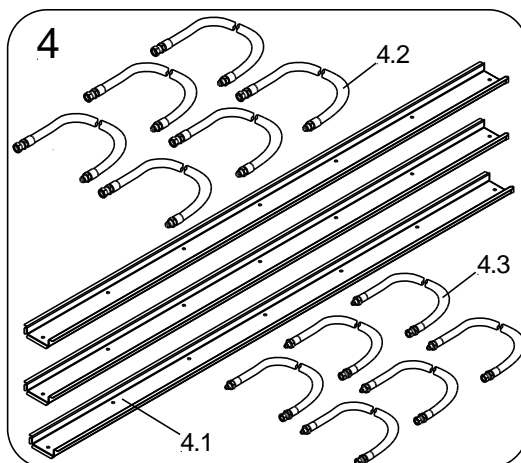
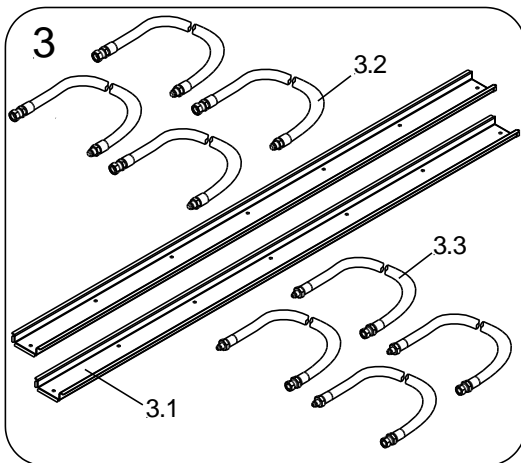
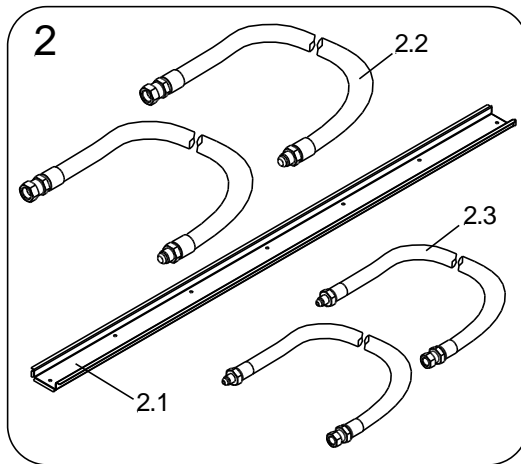
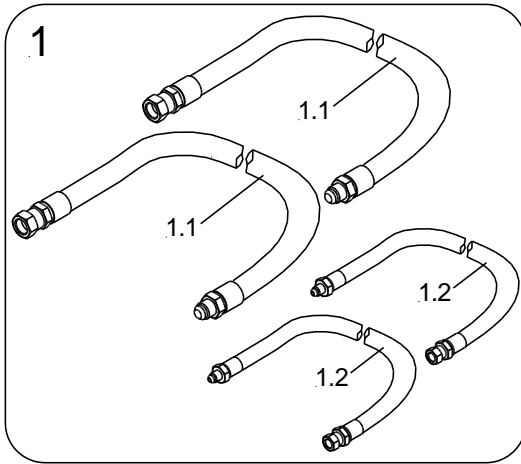
19 – PUMP AND MOTOR – PRIMARY PUMP			
NO.	DESCRIPTION	PART NO.	QTY.
1	Power Pack- Single Motor	P-2019902-3	1
2	Motor	P-2020866	1
3	Carbon Brushes Kit	P-1410330	1
4	Motor Solenoid, 12v	P-1404303	1
	Motor Solenoid, 24v	P-1404302	1
5	Connector, Female, 8-Pole	P-68354986	1
6	Seal Ring Oil Reservoir	P-2009743	1
7	Coupler	P-2020617	1
8	Pump Incl. Coupler, Pipe, Filter	P-2020618	1
9	Two Way Release Valve	P-2021832A	1
10	Single Locking Release Valve	P-67282345	2
11	Valve, Pilot Operated Check	P-2021835	1
12	Valve, Pressure Control	P-2021834	1
13	Return Pipe	P-2021825	1
14	Check Valve	P-2021826	1
15	Pump Filter	P-2018681	1
16	Clamp For Oil Reservoir	P-2009743	1
17	Breather Cap	P-2021824	1
18	Oil Reservoir	P-2021823	1
19	Plug	P-2021827	1
20	Adaptor (Male ¼ BSPP; Male ¼ JIC)	EA6018	1
21	Fitting (Male ¼ BSPP; Female ¼ JIC)	EA6019	1
22	Fitting (Male ¼ BSPP; Female ⅜ JIC)	EA6021	1
23	Adaptor (Male ¼ BSPP; Male ⅜ JIC)	EA6020	1
24	Kit, Pressure Gauge	80-1115-202	1
25	Elbow, 90°, ¼" JIC Female, ¼" BSPP Male	EA6033	2
26	Adapter ½" NPT	OS3121329	1
27	Elbow, 90°, 3/8" JIC Female, 3/8" BSPP Male	EA6028	2

20 Pump and Motor - Secondary Pump (Prior 2018)



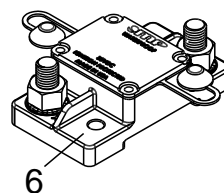
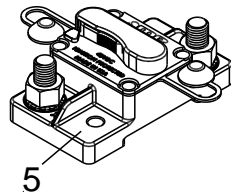
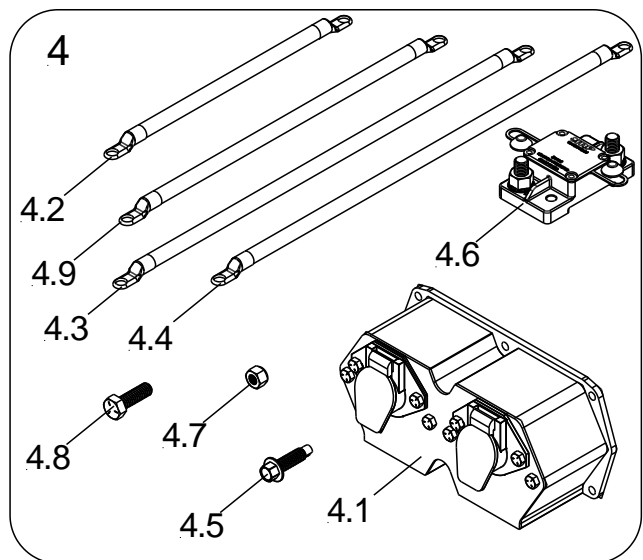
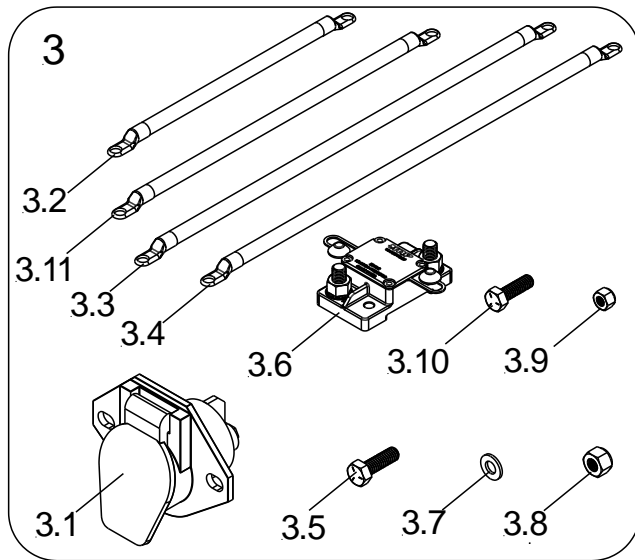
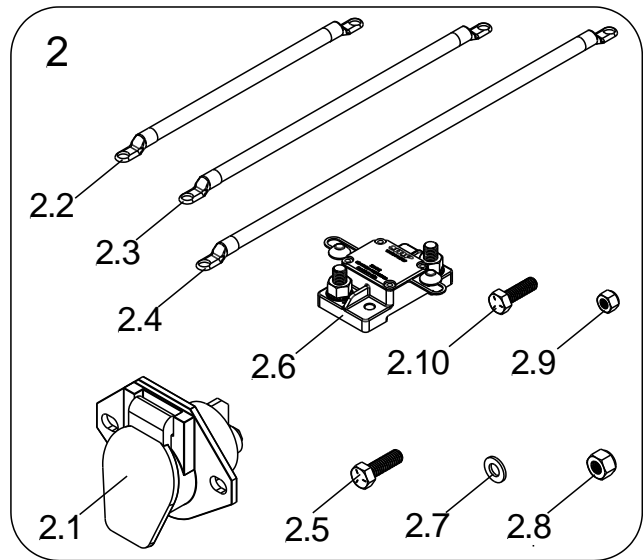
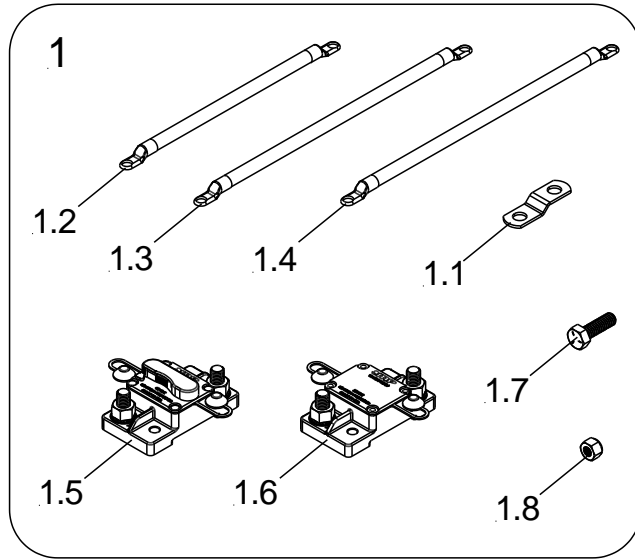
20 – PUMP AND MOTOR – SECONDARY PUMP			
NO.	DESCRIPTION	PART NO.	QTY.
1	Power Pack- Pump & Motor	P-2019905	1
2	Motor	P-2020866	1
3	Carbon Brushes Kit	P-1410330	1
4	Motor Solenoid, 12V	P-1410330	1
	Motor Solenoid, 24V	P-1404302	1
5	Terminal Block	P-68354986	1
6	Seal Ring	P-2009743	1
7	Coupler	P-2021842	1
8	Pump - MBB	P-2020618	1
9	Port Plug	P-2021838	1
10	Plug, Hydraulic, Replace Kit	HV 773	1
11	Plug	P-2021840	1
12	Check Valve	P-2021841	1
13	Plastic Plug	P-9082518000	1
14	Rubber Plate	P-2021843	1
15	Pressure Sensing Valve	P-2021839	1
16	Adaptor (Male 3/8 JIC; Male 3/8 BSPP)	PD-3121324	1
17	Hose - Second Pump To Oil Reservoir	PD-3121325	1
18	90° Fitting (Male 3/8 JIC; Female 3/8 JIC)	EA6028	1
19	Fitting - Filter Included	PD-3121326	1
20	Hose - Hydraulic	PD-3121321	1
21	Adaptor (Male 1/4 BSPP; Male 3/8 JIC)	EA6020	1

21 Hydraulic Hose Kits



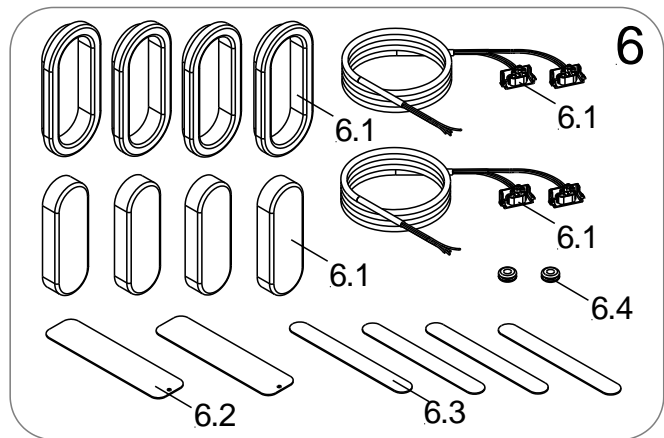
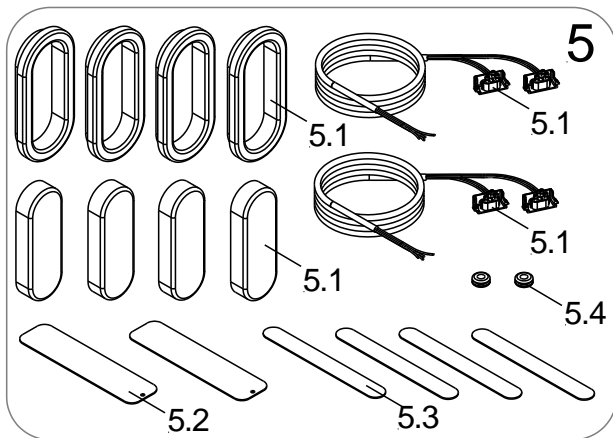
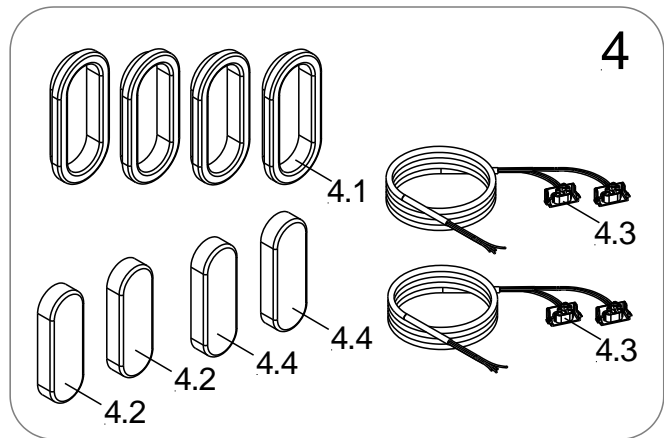
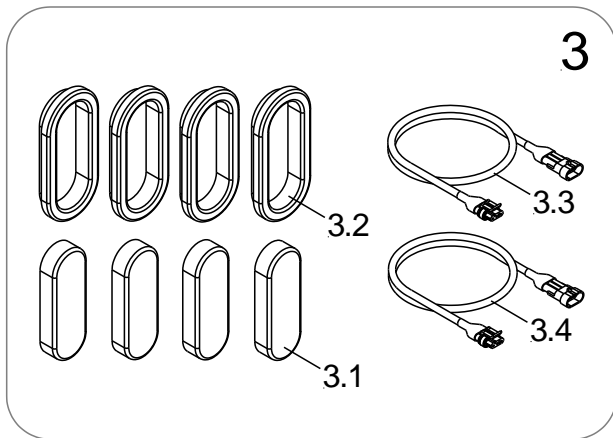
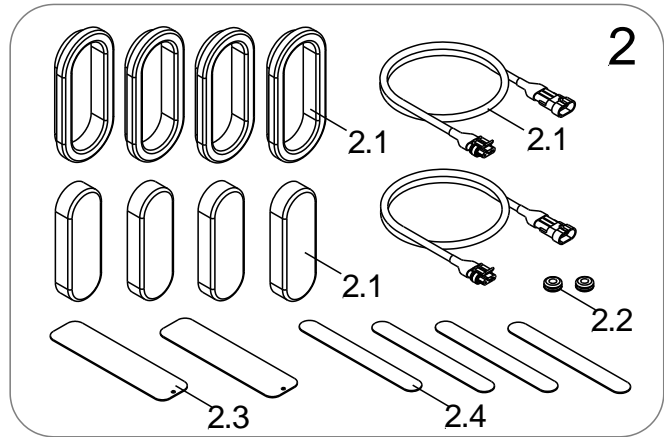
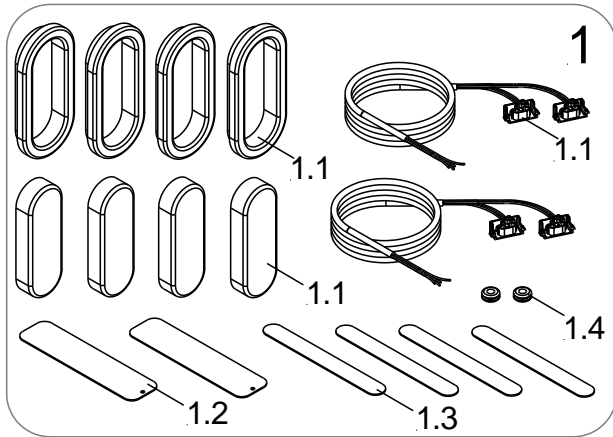
21 – HYDRAULIC HOSE KITS			
NO.	DESCRIPTION	PART NO.	QTY.
1	Kit, 9 Ft. Hose (Standard, Included With ILD+ Liftgate)	80-1113-220	1
1.1	Hose, Hydraulic, 108", 3/8" JIC Male - 3/8" JIC Female	80-1113-203	2
1.2	Hose, Hydraulic, 114", 1/4" JIC Male - 1/4" JIC Female	80-1113-204	2
2	Kit, 9 Ft., With Hat Section	80-1120-012	1
2.1	Hat Section, 97"L	60-1120-015	1
2.2	Hose, Hydraulic, 108", 3/8" JIC Male - 3/8" JIC Female	80-1113-203	2
2.3	Hose, Hydraulic, 114", 1/4" JIC Male - 1/4" JIC Female	80-1113-204	2
3	Kit, 18 Ft. Hose, With Hat Sections	80-1120-013	1
3.1	Hat Section, 97"L	60-1120-015	2
3.2	Hose, Hydraulic, 108", 3/8" JIC Male - 3/8" JIC Female	80-1113-203	4
3.3	Hose, Hydraulic, 114", 1/4" JIC Male - 1/4" JIC Female	80-1113-204	4
4	Kit, 27 Ft. Hose, With Hat Sections	80-1120-014	1
4.1	Hat Section, 97"L	60-1120-015	3
4.2	Hose, Hydraulic, 108", 3/8" JIC Male - 3/8" JIC Female	80-1113-203	6
4.3	Hose, Hydraulic, 114", 1/4" JIC Male - 1/4" JIC Female	80-1113-204	6
5	Kit, 24 Ft. Hose Extension, With Hat Sections	80-1115-113	1
5.1	Hat Section, 97"L	60-1120-015	2
5.2	Hydraulic Hose Extension, 288", 3/8" JIC Male - 3/8" JIC Female	80-1113-603	2
5.3	Hydraulic Hose Extension, 288", 1/4" JIC Male - 1/4" JIC Female	80-1113-604	2
6	Kit, 38 Ft. Hose Extension, With Hat Sections	80-1115-114	1
6.1	Hat Section, 97"L	60-1120-015	3
6.2	Hydraulic Hose Extension, 456", 3/8" JIC Male - 3/8" JIC Female	80-1113-703	2
6.3	Hydraulic Hose Extension, 456", 1/4" JIC Male - 1/4" JIC Female	80-1113-704	2

22 Trailer/Truck Charge Kits



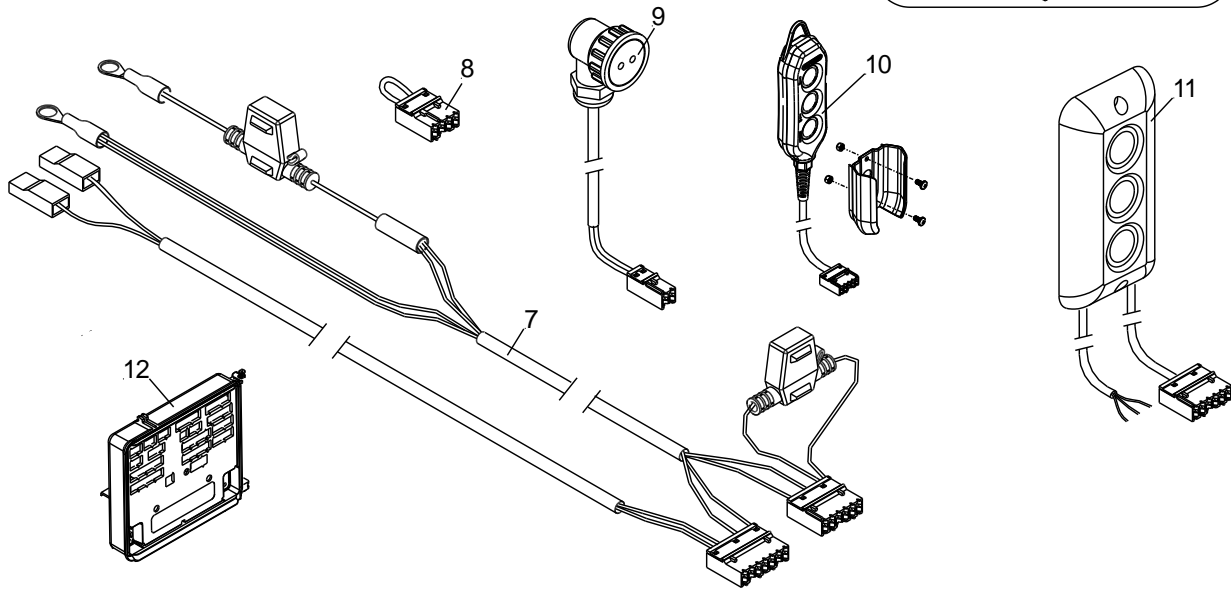
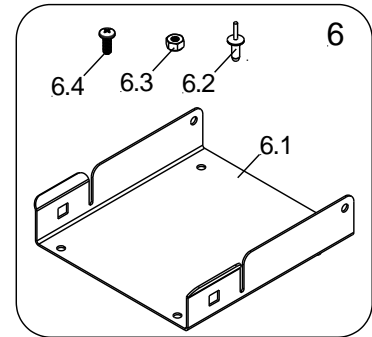
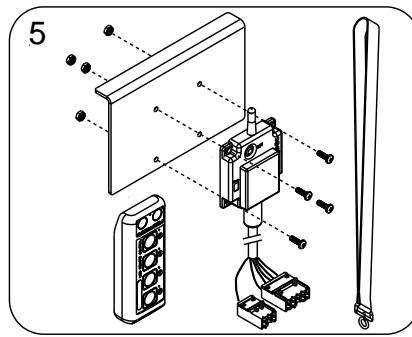
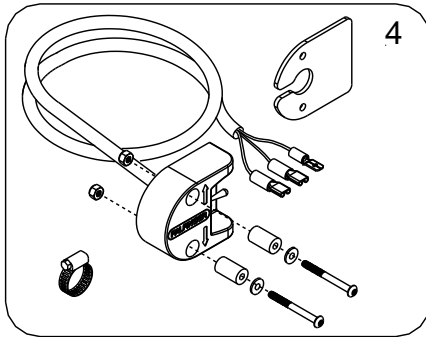
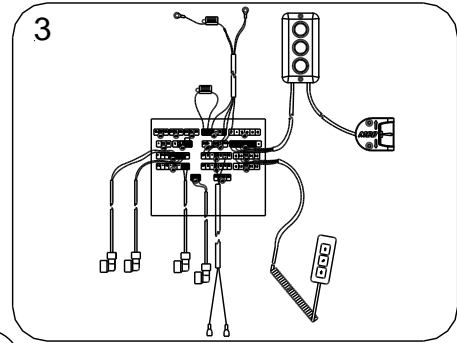
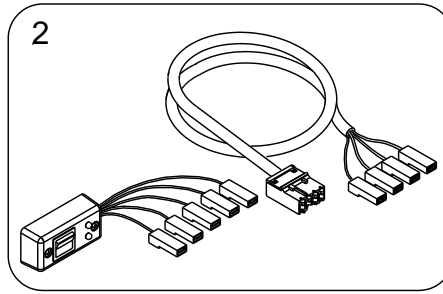
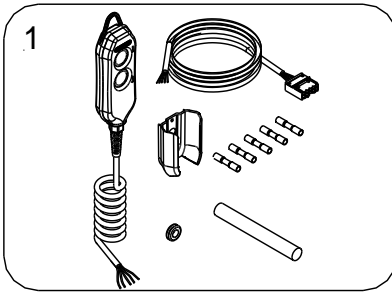
22- TRAILER/TRUCK CHARGE KITS			
NO.	DESCRIPTION	PART NO.	QTY.
1	Electrical Truck Kit, 40ft	70-1115-100	1
1.1	Bus Bar, ¾"x2.50"	KET06537A	1
1.2	Cable, 2GA, 20", 3/8" Lugs, Red	KET05919A	1
1.3	Cable, 2GA, 74", 3/8" Lugs, Black	KET05925A	1
1.4	Cable, 2GA; 480", 3/8" Lugs, Red	KET06314A	1
1.5	Circuit Breaker, 175A, 3/8" Studs, Manual Reset	70-8114-009	1
1.6	Circuit Breaker 175A, 3/8" Studs, Auto Reset	70-8114-008	1
1.7	Hex Head Cap Screw, 1/4-20x1.0", Gr.5, Zinc	ES3443	4
1.8	Nut, Nylock 1/4-20, Zinc	EM 722	4
2	Kit, Trailer, Single Pole	70-1115-101	1
2.1	Socket; Single Pole	70-8015-019	1
2.2	Cable, 2GA, 20", 3/8" Lugs, Red	KET05919A	1
2.3	Cable, 2GA, 74", 3/8" Lugs, Black	KET05925A	1
2.4	Cable, 2GA; 480", 3/8" Lugs, Red	KET06314A	1
2.5	Hex Head Cap Screw, 5/16-18x1.00"	ES3724	2
2.6	Circuit Breaker 175A, 3/8" Studs, Auto Reset	70-8114-008	1
2.7	Washer, Flat, 5/16"	EK3217	4
2.8	Nut, Nylock, 5/16-18	EM 710	2
2.9	Nut, Nylock 1/4-20 Zinc	EM 722	2
2.10	Hex Head Cap Screw, 1/4-20x1.0", Gr.5, Zinc	ES3443	2
3	Kit, Trailer, Dual Pole	70-1115-102	1
3.1	Socket; Dual Pole	70-8015-018	1
3.2	Cable, 2GA, 20", 3/8" Lugs, Red	KET05919A	1
3.3	Cable, 2 GA, 480", 3/8" Lugs, Black	KET05701A	1
3.4	Cable, 2 GA; 480", 3/8" Lugs, Red	KET06314A	1
3.5	Hex Head Cap Screw, 5/16-18x1"	ES3724	2
3.6	Circuit Breaker 175A, 3/8" Studs, Auto Reset	70-8114-008	1
3.7	Washer, Flat, 5/16"	EK3217	4
3.8	Nut, Nylock, 5/16-18	EM 710	2
3.9	Nut, Nylock, 1/4-20, Zinc	EM 722	2
3.10	Hex Head Cap Screw, 1/4-20x1.0", Gr.5, Zinc	ES3443	2
3.11	Cable, 2GA, 74", 3/8" Lugs, Black	KET05925A	1
4	Kit, Trailer, Dual Nosebox	70-1115-103	1
4.1	Nosebox, Single & Dual Pole Socket	70-8015-020	1
4.2	Cable, 2GA, 20", 3/8" Lugs, Red	KET05919A	1
4.3	Cable, 2GA, 480", 3/8" Lugs, Black	KET05701A	1
4.4	Cable, 2GA; 480", 3/8" Lugs, Red	KET06314A	1
4.5	Hex Head Cap Screw, Tapping, 5/16-18x1.25"	ES3733	6
4.6	Circuit Breaker, 175A, 3/8" Studs, Auto Reset	70-8114-008	1
4.7	Nut, Nylock, 1/4-20, Zinc	EM 722	2
4.8	Hex Head Cap Screw, 1/4-20x1.0", Gr.5, Zinc	ES3443	2
4.9	Cable, 2GA, 74", 3/8" Lugs, Black	KET05925A	1
5	Circuit Breaker, 175A, 3/8" Studs, Manual Reset	70-8114-009	1
6	Circuit Breaker 175A, 3/8" Studs, Auto Reset	70-8114-008	1

23 Light Kits



23 - LIGHT KITS			
NO.	DESCRIPTION	PART NO.	QTY.
1	Kit, ILD Strobe, Amber, Red	02-1111-200	1
1.1	Light Kit; Amber Strobe	70-8016-101	1
1.2	Plate, Cable Cover	02-1110-204	2
1.3	Tape, Double Sided	EZ6097	1
1.4	Grommet; 3/4" Hole, 5/8" ID	EK3401	2
2	Kit, Led Lights, Red, Maxi Seal Harness	70-8014-500	1
2.1	Light Kit, ILD All Red	70-8016-100	1
2.2	Grommet, Rubber	EK3196	2
2.3	Plate, LED Cable Cover	02-1110-204	2
2.4	Tape, Double Sided	EZ6097	1
3	Kit, Red Lights, Maxi Seal	70-8016-100	1
3.1	Light, Red Led Oval	60-8114-003	4
3.2	Grommet, Light, Oval, LED	60-8114-004	4
3.3	Harness, Maxi-Seal, Stop, 6ft	70-8114-001	1
3.4	Harness, Maxi-Seal, Turn, 6ft	70-8114-002	1
4	Kit, Led Light, Amber, Red	70-8016-101	1
4.1	Grommet, Light, Oval LED	60-8114-004	4
4.2	Light-Led Red Tail/Stop	70-0714-002	2
4.3	Harness, ILD	70-0714-004	2
4.4	Light, Amber, Oval Led	70-1116-003	2
5	Kit, Led Light, Red, Optronics	70-8114-006	1
5.1	Light Kit; Red	70-8015-015	1
5.2	Plate, Led Cable Cover	02-1110-204	2
5.3	Tape, Double Sided	EZ6097	1
5.4	Grommet; 3/4"Hole 5/8"ID	EK3401	2
6	Kit, Light, Red, White, Optronics	70-8114-007	1
6.1	Light Kit; Red/White	70-8015-010	1
6.2	Plate, Led Cable Cover	02-1110-204	2
6.3	Tape, Double Sided	EZ6097	1
6.4	Grommet; 3/4"Hole 5/8"ID	EK3401	2

24 Controls



24 - CONTROLS			
NO.	DESCRIPTION	PART NO.	QTY.
1	2-Button Hand Control Kit (To J31)	70-1116-000	1
2	Cab Shut Off Switch Kit	70-1113-200	1
3	PC Board Kit, ILD+, w/Harness, 3-Button Flush, 3-Button Coil, & Toggle	P-2032695	1
4	Toggle Switch Kit, w/Hardware, (Service Kit)	80-1113-303	1
5	Wireless Remote, 4-Way Operation Kit	70-1115-000	1
6	M-Board Bracket Kit (Convert K+Board To M-Board)	70-1113-502	1
6.1	Bracket, Mounting, M-Board	70-1113-501	1
6.2	Rivet, 3/16"X.45"	99-8814-004	4
6.3	Nut, Nylock, #10-24, Zinc	EM 697	4
6.4	Machine Screw, #10-24 X 1/2"	99-8814-005	4
7	Harness, Power, J1, J2	P-2020040	1
8	Jumper, J11	P-2020042	1
9	Harness, Solenoid Valve	P-2020041	1
10	3-Button Hand Control w/Holster To J31	P-2053050	1
11	3-Button Flush Mount Control To J30	P-2020653	1
12	Control Board, M-Board, Premium	P-2029092	1

25 Decals

1 OPERATING INSTRUCTIONS
Read all Decals and Owner's Manual before operating liftgate.

ILD-BG

- Turn on power to liftgate by turning on the master disconnect switch, located on the pump box, to the "ON" position.
- Be certain operating area around platform is clear before operating liftgate.
- Using the "UP" button, power platform up until it stops at the top rest position.
- Using the "DOWN" button and "OPEN/CLOSE" button simultaneously, power open platform.
- Using the "DOWN" button, lower platform for use. Push "DOWN" button twice within 3 seconds for power down.

STEP 3 & 4

2 OPERATING INSTRUCTIONS
Read all Decals and Owner's Manual before operating liftgate.

ILD-BG

UP CLOSE

DOWN OPEN

FOR POWER DOWN PUSH THE DOWN BUTTON TWICE WITHIN 3 SECONDS

PRESS BUTTONS SIMULTANEOUSLY

3 URGENT WARNING

BEFORE OPERATING LIFT, BE SURE YOU UNDERSTAND:

- Regular operation of this lift gate can result in serious personal injury. Do not operate unless you have been properly instructed, have read, and are familiar with, the operating instructions. If you do not have a copy of the instructions please obtain them from your employer, distributor or dealer, as appropriate, before you attempt to operate the lift gate.
- Be certain the vehicle is properly and securely braked before using the liftgate.
- Always inspect this lift gate for maintenance or damage before using it. If there are signs of improper maintenance, damage to vital parts, or a liftgate platform surface, do not use the lift gate. Do not attempt your own repairs, unless you are specifically trained.
- Do not overload. See the Mfg. Literature and/or Rating Label on the seat for the rated load. Remember that this limit applies to both raising and lowering operations.
- Each foot should be placed in a stable position as near as possible to the center of the platform.
- Never allow yourself, a helper, or a bystander to stand in a position where an unstable load could fall on them. Do not allow any part of your or your helper's body to be in the pinch area, through, or around any portion of the moving lift gate, or in a position that would trap them between any parts when the lift gate is operated.
- This lift gate is intended for loading and unloading of cargo only. Do not use this lift gate for anything but it is intended use. This lift gate is not equipped with a back-up system to prevent falling in the event of a failure.

4 WARNING

LIFTGATE HAZARDS CAN RESULT IN CRUSHING OR FALLING.

KEEP HANDS AND FEET CLEAR OF PINCH POINTS.

IF RIDING LIFTGATE, MAKE SURE LOAD IS STABLE AND FOOTING IS SOLID.

READ AND UNDERSTAND ALL INSTRUCTIONS AND WARNINGS BEFORE USE.

5 WARNING

ALWAYS STAND CLEAR OF PLATFORM AREA

6 NOTICE

ELECTRICAL SYSTEM IS PROTECTED BY A RESETTABLE CIRCUIT BREAKER. SEE OWNER'S MANUAL AND DECAL LOCATED AT THE BATTERY.

7 NOTICE

ELECTRICAL SYSTEM PROTECTED BY RESETTABLE CIRCUIT BREAKER. TO RESET, PUSH RESET TAB IN.

8 NOTICE

OPEN AND CLOSE LIFTGATE WITH PLATFORM FULLY RAISED

9 NOTICE

UP

DOWN

10 CAUTION

MAXIMUM LOAD CAPACITY XXXX LBS.

CENTER LOAD ON PLATFORM TO AVOID PERSONAL OR PROPERTY DAMAGE.

11

ALIGN ARROWS TO OPEN & CLOSE PLATFORM

12

ILD Electrical Schematic:

14 NOTICE

Auxiliary 3-Button Hand Control

- Secondary backup and troubleshooting use only.
- Not for everyday use.

15

PALFINGER

13

ILD - PREMIUM M-BOARD FAULT CODES

Code	Description	Reason	Solution 1	Solution 2	Solution 3	Solution 4	Solution 5
0	System OK / Control System: OFF	System OK / Control System: OFF	System OK / Control System: OFF	?	?	?	?
1	System OK / Control System: ON	System OK / Control System: ON	System OK / Control System: ON	?	?	?	?
2	Low Voltage	Voltage J1 Pin 3 too low	Check J1 3 & J2 power cable at PC board and battery for tight connection, oxidation and damage.	Check the battery condition; battery might be bad.	Motor could have worn carbon brushes; motor could be bad.	?	?
7	Short or Can Switch / On/Off switch for Aux port	Power consumption J1 Pin 1	Check J1 3 & J2 power cable at PC board and battery for tight connection, oxidation and damage.	?	?	?	?
8	General Short	General power consumption too high	Check J1 3 & J2 power cable at PC board and battery for tight connection, oxidation and damage.	Single wire core by wire.	Repair cables, connections, check for heat or cracked wire.	Short in motor present.	Replace motor present.
9	Defect in motor selected / Defeat Wire	Power consumption J1 Pin 3 too high	Check J1 3 & J2 power cable at PC board and battery for tight connection, oxidation and damage.	Check the battery condition; battery might be bad.	Possible short in Thermo Switch inside motor. Replace and test, replace Thermo Switch.	?	?
R	Fuse 10A damaged on power pack (J1, Pin 2)	Defective fuse J1 Pin 2	Check fuse at power pack.	Replace fuse with same part type.	?	?	?
b	Defective motor selected	Power consumption J1 Pin 3 too high	Check J1 3 & J2 power cable at PC board and battery for tight connection, oxidation and damage.	Check the battery condition; battery might be bad.	?	Check when reading of the code.	Change code or cable.
c	During operation, an error on the motor selected	Power consumption J1 Pin 3 too high	Check J1 3 & J2 power cable at PC board and battery for tight connection, oxidation and damage.	Check the battery condition; battery might be bad.	?	Check when reading of the code.	Change code or cable.
P	Error diagnosis reads within 30 sec	Abnormal service plug	?	?	?	?	?

To Clear Code: Unplug J1 and plug back in.

Palfinger Liftgates, LLC.
15939 Piuma Ave, Cerritos, CA 90703
Tel: (888) 774-5844, Fax: (562) 924-8318

Palfinger Liftgates, LLC.
572 Whitehead Road, Trenton, NJ 08619
Tel: (609) 587-4200, Fax: (609) 587-4201

25 - DECALS			
NO.	DESCRIPTION	PART NO.	QTY.
1	Operating Instructions-Bottle Gas	ATG-OPER-ILD-BG-2	1
2	Operational Instruction-Controls	ATG-SWILD	1
3	Urgent Warning Decal	ATG-URGWA	1
4	Warning- Liftgate Hazards	ATG-WLH	2
5	Warning- Stand Clear	ATG-PLAT	2
6	Electrical System	ATG-RESET	1
7	Circuit Breaker, Blue	ATG-BKR	1
8	Notice For Open And Close	ATG-OPENILD	1
9	Up/Down	ATG-UD	1
10	Liftgate Capacity	ATG-XXXX*	2
11	Platform Alignment Arrows	ATG-ARWILD	1
12	Electrical Schematic	85-1113-100	1
13	Decal, Fault Codes, M-Board	85-1117-000	1
14	3-Button Auxiliary Remote Decal	85-1117-003	1
15	Decal, Palfinger Logo, Horizontal (Battery Box Cover)	P-2038837	1
16	Decal, Palfinger Logo, Vertical (Column Mount)	OS1263362	2

***XXXX = LIFTGATE CAPACITY (LBS) [EXAMPLE PART NUMBER: ATG- 3300]**

PALFINGER**LIFTGATES**

15939 Piuma Ave.
Cerritos, CA 90703
Tel (888) 774-5844
Fax (562) 924-8318
www.palfinger.com

PALFINGER**LIFTGATES**

572 Whitehead Road.
Trenton, NJ 08619
Tel (609) 587-4200
Fax (609) 587-4201
www.palfinger.com