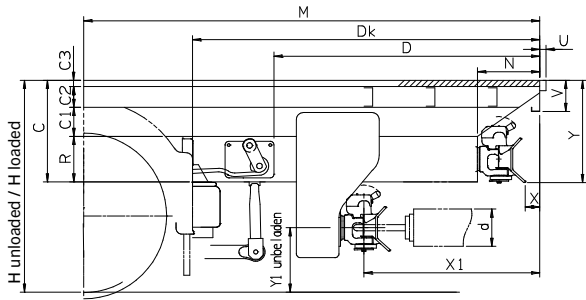


# FEASIBILITY STUDY

## (MOTOR VEHICLE, SEMI-TRAILER OR TRAILER)

### Motor vehicle

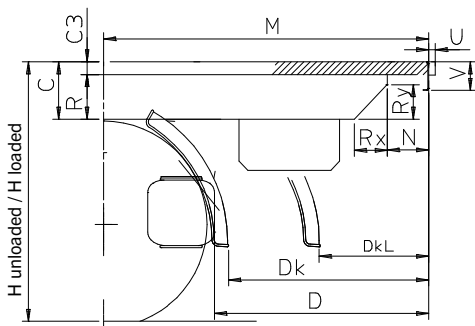


### Tail Lift

Type:	
Platform height:	
Platform width:	
Ref: PALFINGER	
Arm length*:	
Mounting plates:	

\* mention requested length if necessary

### Semi-Trailer or trailer



### Please choose the type of chassis frame:

Rear axle suspension

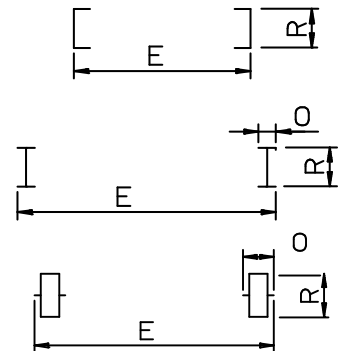
Leaf spring

Pneumatic spring

Voltage

12 V

24 V



### Please fill in the dimensions:

H unloaded		M to the rear axle		E frame dimension	
H loaded		N body overhang		O with of belt	
C1 side member		D drawbar diametre		R frame height	
C2 cross member		V rear wall		Vehicle manufacture	
C3 floor panel		U nose		Vehicle type	
C (R+C1+C2+C3)		Rx „cut out“		Long wheel base	
D to spring		Ry „cut out““		Dimension drivers cab	
Dk to mud guard		DKL		Box dim. outside width	
		Rear axle width		Box overall length	

### Please add relevent dimensions

Stabilizer                      mechanical                      hydraulic                      LCV

Hitch                              X:.....                              Y:.....                              Tires                              single                              double

Low coupling                      X1:.....                              Y1:.....                              Driven wheels                      front (FWD)                      rear (RWD)

Ball head coupling                      Vehicle registration „class G“

### Comments:


Company:	
Street:	
Postcode:	

Date :                                      PO:                                      Contact person:                                      Phone:

**E-MAIL to: [aumbb@palfinger.com](mailto:aumbb@palfinger.com)**