

PALFINGER

SERVICE TRUCK SOLUTIONS MAXIMIZE UP-TIME

Mechanics bodies, service cranes & compressors
built for the modern work truck.

LIFETIME EXCELLENCE



ONE STRONG PARTNER FOR ALL YOUR NEEDS

Omaha Standard Palfinger is your one-stop solution to help you provide the most EFFICIENT, RELIABLE and INNOVATIVE service and care for your equipment.

At PALFINGER, we know that when your bottom line is affected by equipment downtime, you need a reliable service solution because your customers expect solid product performance, quick responses and a quality partner to trust. Our service trucks, equipped with PALFINGER service cranes, compressors and many available options and accessories, along with our committed, nationwide distribution network, are a reliable solution to get your job done right.

Rely on PALFINGER equipment to get your team up and running quickly, while providing your customers with the best service experience possible.

This brochure is intended to give you the best overview of our mechanics bodies, service cranes and compressors so that you can meet your customer's service expectations with the right equipment.

INDUSTRIES

With the best equipment for the job, add a competitive edge to your business in a range of industries. Our service trucks are a reliable partner in: Construction, Roadway, Railway, Agriculture, Oil & Gas, Mining, Utilities and Municipalities.



MECHANICS BODIES

With true crane bodies and the most durable crane reinforced body in the industry, PAL Pro Mechanics Bodies are reliable partners for mobile heavy equipment service providers. Our true crane bodies are built specifically to handle the forces applied by the crane from the very start of their design. They feature less weight and stronger capacities, while the all A-60 galvanneal construction and E-coat protection ensure a long life on the job site.

SERVICE CRANES

With capacities up to 14,000 lbs., designed to meet or exceed ASME B30.5 and OSHA 1910 and OSHA 1926 standards, PALFINGER Service Cranes offer wireless proportional control, an industry-leading Two-Block Damage Prevention System, and single-weld hexagonal boom designs.

COMPRESSORS

Built for the modern work truck, PALFINGER offers the lightest and most compact rotary screw air compressors available with 25-60 CFM of continuous air output, at 100% duty cycle.



PAL Pro 20

CRANE BODY - 20,000 ft. lbs.

PAL Pro 20 is our light-weight mechanics body designed to accommodate service cranes up to 20,000 ft. lbs. of lifting capacity. The PAL Pro 20 body is made to handle on and off-road use featuring 2-piece reinforced doors, full length stainless steel hinges, and reinforced compartment tops. Rely on the right equipment for the job with a factory designed, built and tested mechanics body.

FULL LENGTH CHANNEL DRIP RAIL PREVENTS WATER FROM DRIPPING

Covering the full length of the body, the channel drip rail channels water from the top of the body away from the compartment openings during use.

REINFORCED COMPARTMENT TOPS FOR EASY MOUNTING

Mount compressors, welders and toolboxes without worrying about deflection. Plus all raised compartments come with engineered internal gussets to eliminate cracking at the corner of the compartments.

APPLICABLE CRANE MODELS

- PSC 3216
- PSC 4016
- PSC 4025

APPLICABLE COMPRESSORS

- PRC 45V
- PRC 60V

BUMPER OR WORK BENCH YOUR PLACE TO WORK

Choose between a range of bumper options from an 8" step bumper to a 21" work bench bumper with 1/4" top plate, with a variety of outriggers to fit your choice of PALFINGER crane.

ALL 3-POINT LATCHING

For security, each door is internally latched at 3 points – top, bottom and latch side – when engaged. For additional security, a Masterlock system can be added.

DOORS SOLID CONSTRUCTION

Two-piece top hat design, with automotive bonding used instead of welding the doors together. 316 marine grade stainless steel hinges eliminate rust, along with bolt on assembly for easy alignment and replacement.



PAL Pro 20-9

20-9

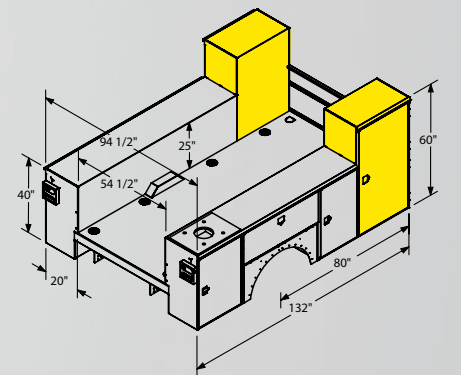
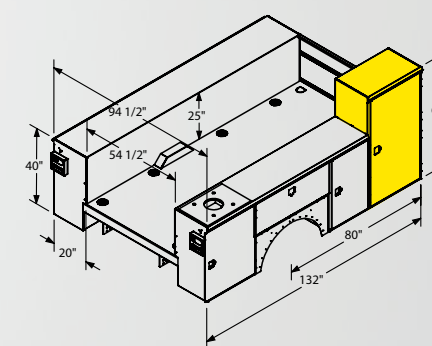
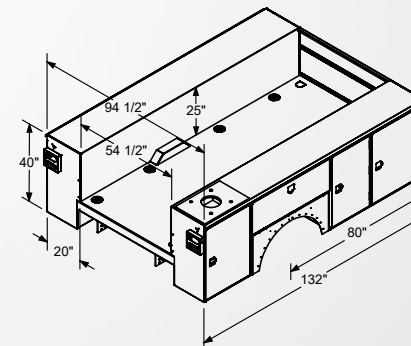
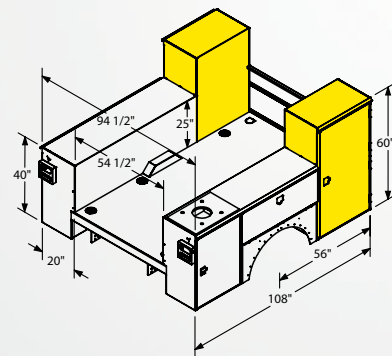
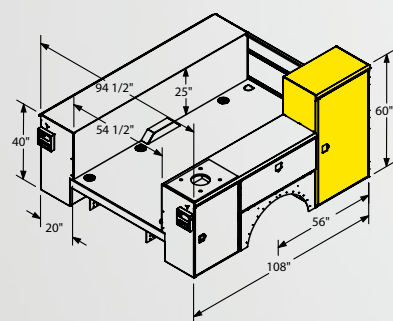
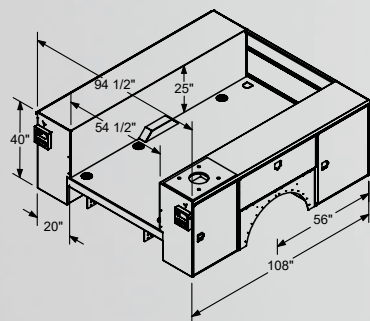
20-9CS

20-9SSCS

20-11

20-11CS

20-11SSCS



PAL Pro 39

TRUE CRANE BODY - 39,000 ft. lbs.

Extending the PALFINGER range of mechanics bodies, PAL Pro 39 is our new light weight generation available in 9' and 11' standard configurations. In this development, we discovered new ways to reduce weight and become the lightest steel construction crane body in the industry. With new light-weight aluminum doors, PAL Pro 39 offers you more usable payload, combined with a stronger and lighter crane. Plus, more standard options are available to meet your service truck needs including headache rack, accessory mounting options, additional tail shelf options and more. PAL Pro 39 is manufactured with 12-gauge all A-60 galvanneal construction, a hybrid torsion box that eliminates frame and side pack deflection and the best rust protection in the industry.

ALUMINUM DOORS LIGHT-WEIGHT & CORROSION RESISTANT

Two-piece top hat design, with aluminum doors and hinges, instead of welding the doors together automotive bonding is used to eliminate rust, along with bolt on assembly for easy alignment and replacement. Whale tail handles and 3 point locking latches standard.

INTERNAL STRUCTURAL SUPPORT

Internal engineered gussets are used in every raised compartment. They're not band aid gussets to "reduce cracking" caused by stress – they are designed to eliminate cracking from crane applications and off road work site conditions.

APPLICABLE CRANE MODELS

- PSC 3216
- PSC 4016
- PSC 4025
- PSC 5025
- PSC 6025

APPLICABLE COMPRESSORS

- PRC 45V
- PRC 60V

WORK BENCH BUILT FOR YOUR HARD WORK

A true mechanics work bench built to withstand tough work for years to come, featuring 12" or 21" work bench bumpers, standard class 5 receiver hitch, 1/4" steel top plate and thru compartment for additional storage.

LINE-X ULTRA INTERIOR COMPARTMENT COATING FOR GREATER PROTECTION

LINE-X Ultra provides the ultimate protection for your compartment interiors. It resists the damage commonly caused by tools, chains and parts, and prevents the rust that comes as a result. As an added bonus, the coating is white in color and helps to brighten up the interior.



PAL Pro 39-11CS

39-9

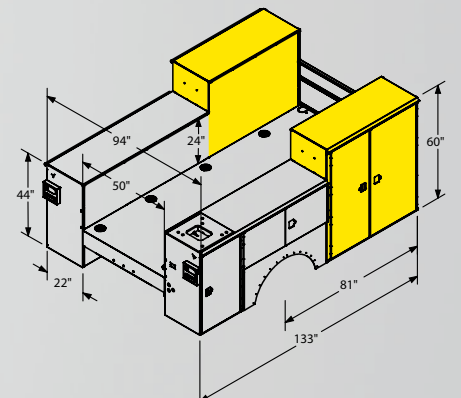
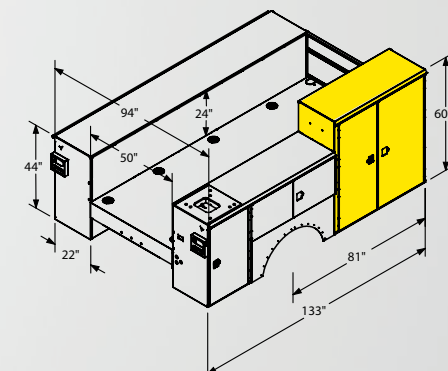
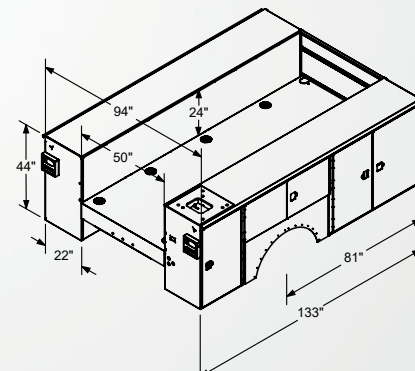
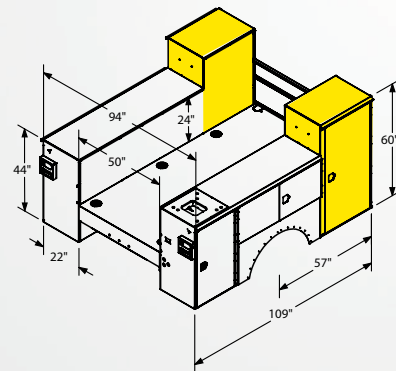
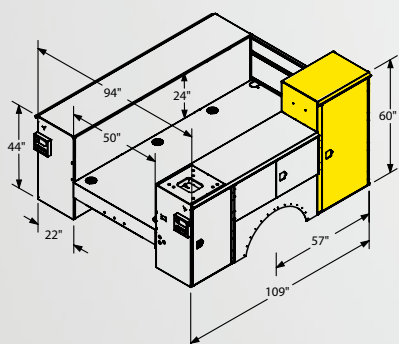
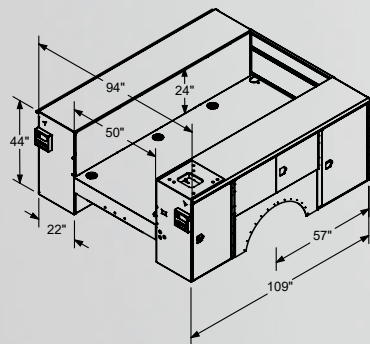
39-9CS

39-9SSCS

39-11

39-11CS

39-11SSCS



PAL Pro 43

TRUE CRANE BODY - 43,000 ft. lbs.

PAL Pro 43 is our leading all-steel mechanics body built to handle our larger 8,000 lbs. service crane rated at 43,000 ft. lbs. lifting capacity. Like all true crane bodies from PALFINGER, PAL Pro 43 is manufactured with 12-gauge all A-60 galvaneal construction, a hybrid torsion box that eliminates frame and side pack deflection and the best rust protection in the industry

WORK BENCH BUILT FOR YOUR HARD WORK

A true mechanics work bench built to withstand tough work for years to come, featuring 21" work bench bumper, standard receiver hitch, standard steel top plate and thru compartment for additional storage.

NON-MARRING BOOM REST NEVER COMPROMISE QUALITY

Unlike other boom rests, the non-marring boom rest cradles the crane in a sling for transport, preventing rubbing that damages paint and encourages rust. Adjustable and fixed sizes are available to fit your specifications.

APPLICABLE CRANE MODELS

- PSC 5025
- PSC 6025
- PSC 8029

APPLICABLE COMPRESSORS

- PRC 45V
- PRC 60V

INTERNAL STRUCTURAL SUPPORT

Internal engineered gussets are used in every raised compartment. They're not band aid gussets to "reduce cracking" caused by stress – they are designed to eliminate cracking from crane applications and off road work site conditions.

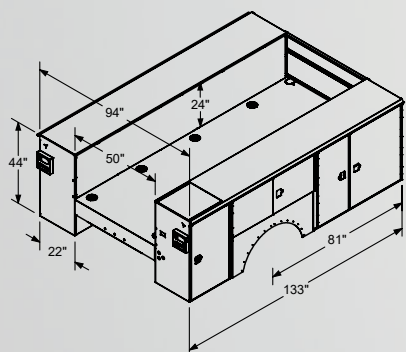
LINE-X ULTRA INTERIOR COMPARTMENT COATING FOR GREATER PROTECTION

LINE-X Ultra provides the ultimate protection for your compartment interiors. It resists the damage commonly caused by tools, chains and parts, and prevents the rust that comes as a result. As an added bonus, the coating is white in color and helps to brighten up the interior.

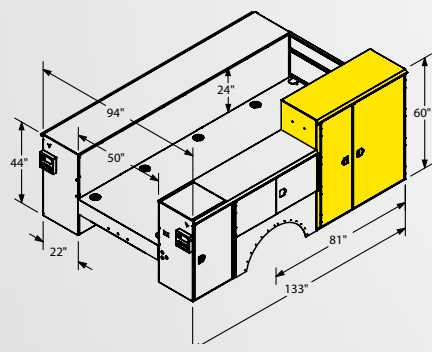


PAL Pro 43-11CS

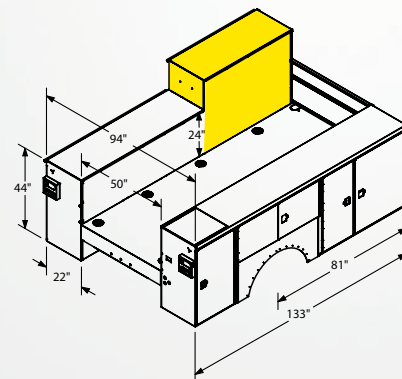
43-11



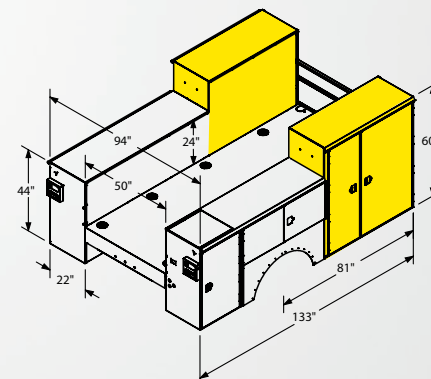
43-11CS



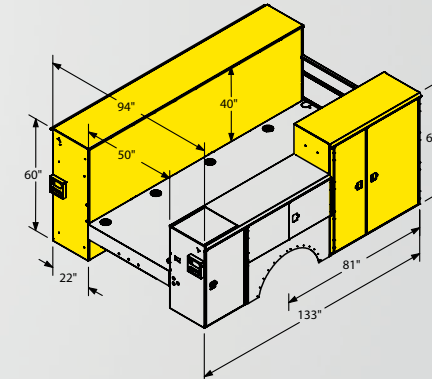
43-11SS



43-11SSCS



43-11SS60CS



MECHANICS BODIES

PAL Pro 72

TRUE CRANE BODY - 72,000 ft. lbs.

When your payload requirements exceed a class 5 chassis, and your lifting requirements call for a 10,000 lbs. or 12,000 lbs. crane, PAL Pro 72 is the mechanics body for you. Available in 11' and 14' configurations, PAL Pro 72 is built for class 6 and 7 chassis' and handles cranes capacities up to 72,000 ft. lbs. With the best rust protection in the industry, all A-60 galvanized construction and 316 marine grade stainless steel hinges, rely on the quality build of a PAL Pro 72.

DOORS SOLID CONSTRUCTION

Two piece top hat design, with automotive bonding used instead of welding the doors together, and 316 marine grade stainless steel hinges eliminates rust, along with bolt on assembly for easy alignment and replacement. Whale tail handles and 3 point locking latches standard provide the securest locking available.

APPLICABLE CRANE MODELS

- PSC 5025
- PSC 6025
- PSC 8029
- PSC 10829
- PSC 12529

APPLICABLE COMPRESSORS

- PRC 45V
- PRC 60V

NON-MARRING BOOM REST NEVER COMPROMISE QUALITY

Unlike other boom rests, the non-marring boom rest cradles the crane in a sling for transport, preventing rubbing that damages paint and encourages rust. Adjustable and fixed sizes are available to fit your specifications.

LINE-X ULTRA INTERIOR COMPARTMENT COATING FOR GREATER PROTECTION

LINE-X Ultra provides the ultimate protection for your compartment interiors. It resists the damage commonly caused by tools, chains and parts, and prevents the rust that comes as a result. As an added bonus, the coating is white in color and helps to brighten up the interior.

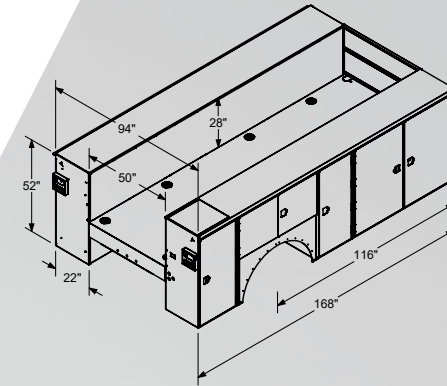
WORK BENCH BUILT FOR YOUR HARD WORK

A true mechanics work bench built to withstand tough work for years to come, featuring 30" work bench bumpers, standard receiver hitch, standard 5/16" steel top plate and thru compartment for additional storage.

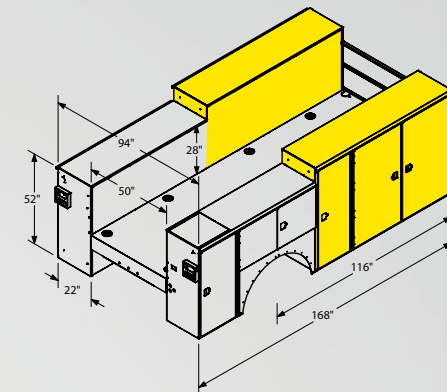


PAL Pro 72-1160SSCS

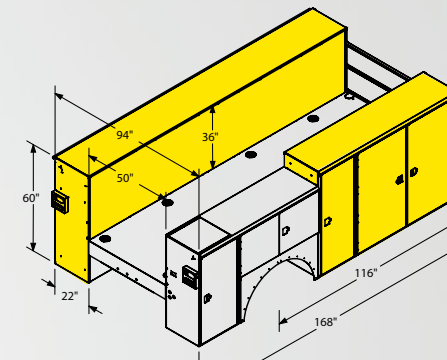
72-14



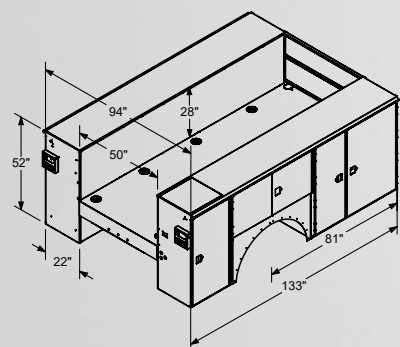
72-14SSCS



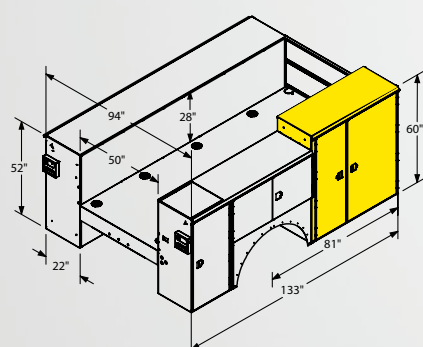
72-14SS60CS



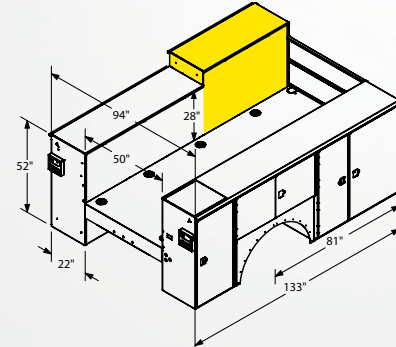
72-11



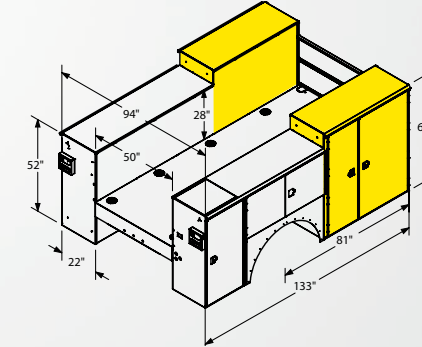
72-11CS



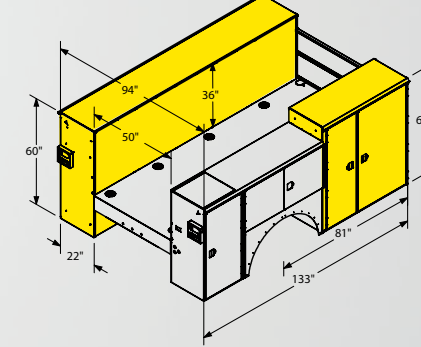
72-11SS



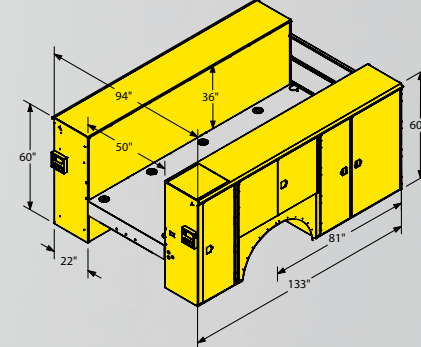
72-11SSCS



72-11SS60CS



72-1160SSCS



PAL Pro 86

TRUE CRANE BODY - 86,000 ft. lbs.

With a crane capacity of 86,000 ft. lbs., PAL Pro 86 is the largest mechanics body in our range. A light weight, 14,000 lbs. crane body package, PAL Pro 86 is built with rear and single extending front crane side outriggers for 100% stability in all lifting zones. Like all of our PAL Pro Mechanics Bodies, it's also built with all A-60 galvanized construction and 316 marine grade stainless steel hinges.

WORK BENCH BUILT FOR YOUR HARD WORK

A true mechanics work bench built to withstand tough work for years to come, featuring 30" work bench bumpers, standard receiver hitch, standard 5/16" steel top plate and thru compartment for additional storage.

NON-MARRING BOOM REST NEVER COMPROMISE QUALITY

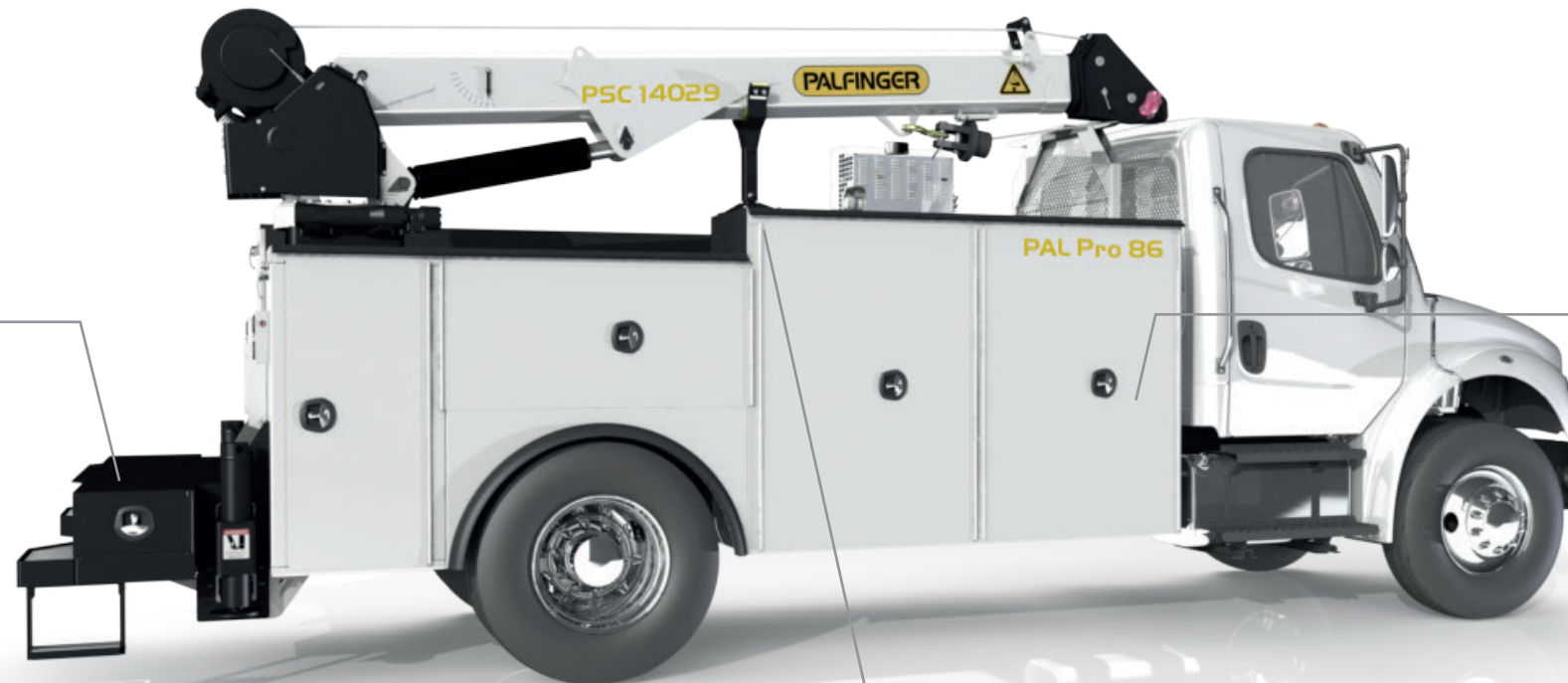
Unlike other boom rests, the non-marring boom rest cradles the crane in a sling for transport, preventing rubbing that damages paint and encourages rust. Adjustable and fixed sizes are available to fit your specifications.

APPLICABLE CRANE MODELS

- PSC 14029

APPLICABLE COMPRESSORS

- PRC 45V
- PRC 60V



PAL Pro 86-14SS60CS

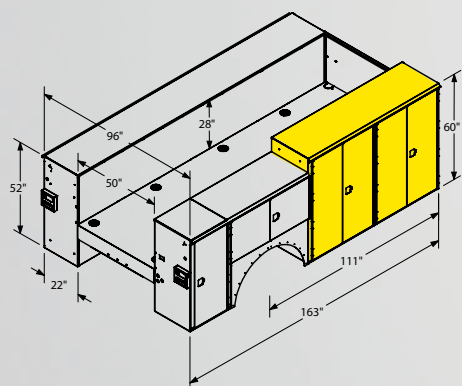
LINE-X ULTRA INTERIOR COMPARTMENT COATING FOR GREATER PROTECTION

LINE-X Ultra provides the ultimate protection for your compartment interiors. It resists the damage commonly caused by tools, chains and parts, and prevents the rust that comes as a result. As an added bonus, the coating is white in color and helps to brighten up the interior.

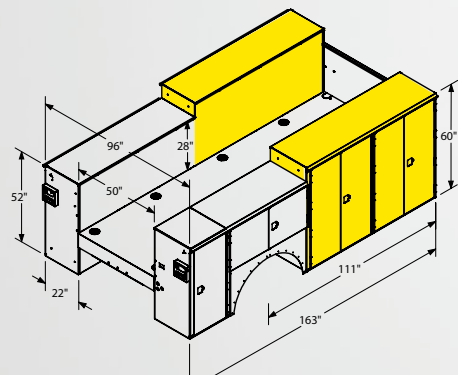
INTERNAL STRUCTURAL SUPPORT

Internal engineered gussets are used in every raised compartment. They're not band aid gussets to "reduce cracking" caused by stress – they are designed to eliminate cracking from crane applications and off road work site conditions.

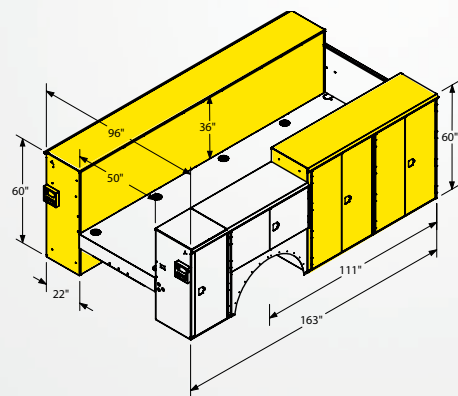
86-14CS



86-14SSCS



86-14SS60CS



SERVICE CRANES

OUR RANGE

Meeting or exceeding ASME B30.5 and OSHA 1910 and OSHA 1926 standards, PALFINGER Service Cranes feature Electric/Hydraulic and Hydraulic models up to 14,000 lbs. capacity. All crane models feature wireless proportional control, single weld hexagonal boom designs and offer the best rust protection in the industry, period. That's right – PALFINGER Service Cranes are the industry's only E-coated telescopic cranes!

ELECTRIC | HYDRAULIC: PSC 3216 – 6025

All Electric and Hydraulic Service Cranes are equipped with standard, single function proportional control and offer the highest lifting capacity, the best weight-to-lift ratio and the longest reach in the industry. Optional features including 90% acoustic overload warning, 3rd wrap limiting system and boom tip hooks are available to fit your application and service truck needs.



HYDRAULIC PSC 8029 – 14029

Our larger crane range best suited for heavy duty applications and jobs in mining, construction and heavy equipment, all Hydraulic Service Cranes come equipped with simultaneous multi-function proportional control as standard, superior weight-to-lift ratios and 29'2" of lifting reach. Each model features high-speed planetary winches at 60 ft./min line speeds, incorporating a 3rd wrap limiting system to prevent cable spool off that also doubles as a cable tensioner. Optional boom tip hooks, easy load-block stowing systems (ELS), and personnel baskets are available to fit your service truck application.



Innovative technology for surface coating is the foundation for durable and long-lasting protection. PALFINGER quality standard.



PSC 3216

PSC 4016

PSC 4025

PSC 5025

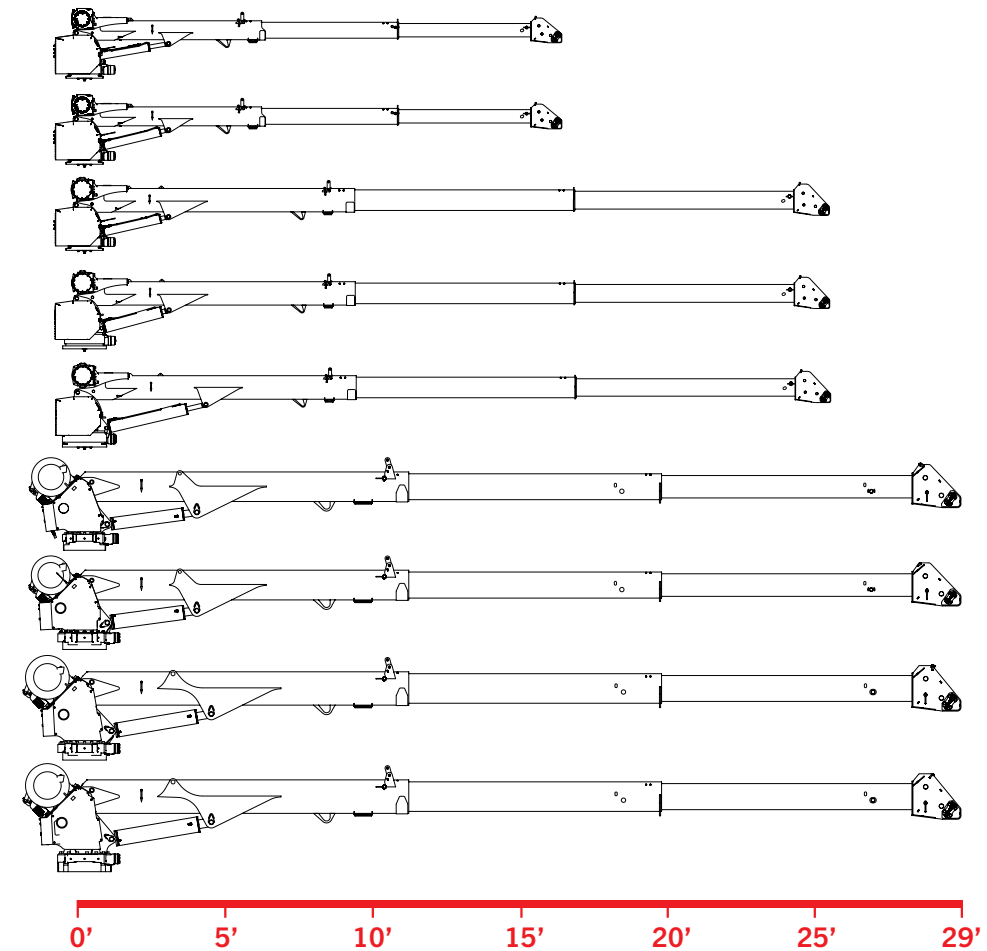
PSC 6025

PSC 8029

PSC 10829

PSC 12529

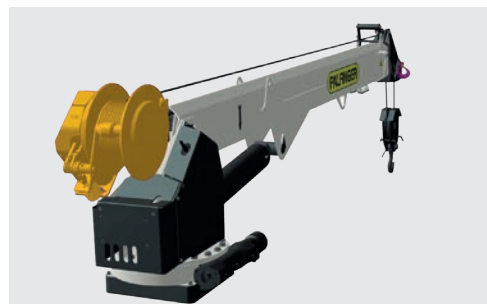
PSC 14029



TECHNICAL SPECIFICATIONS

MODEL	CAPACITY	RATED LIFTING MOMENT	MAX LIFTING MOMENT	BOOM EXTENSIONS	POWER OUTREACH	WINCH SPEED	STANDARD WEIGHT	CHASSIS SPECIFICATION
PSC 3216 E	4,000 lbs. (1814 kg)	12,500 ft. lbs. (17 kNm (1.7 mt))	14,560 ft. lbs. (19.6 kNm (2.0 mt))	1 Hydraulic + 1 Manual (2 Hydraulic Option)	11.4 ft. (16 ft.) 3.5 m (4.9 m)	18.0 ft./min (5.5 m/min)	650 lbs. (295 kg)	Class 3
PSC 3216 H	4,000 lbs. (1814 kg)	12,500 ft. lbs. (17 kNm (1.7 mt))	14,560 ft. lbs. (19.6 kNm (2.0 mt))	1 Hydraulic + 1 Manual (2 Hydraulic Option)	11.4 ft. (16 ft.) 3.5 m (4.9 m)	28.0 ft./min (8.5 m/min)	630 lbs. (286 kg)	Class 3
PSC 4016 E	4,000 lbs. (1814 kg)	18,500 ft. lbs. (25.1 kNm (2.6 mt))	23,235 ft. lbs. (31.4 kNm (3.2 mt))	1 Hydraulic + 1 Manual (2 Hydraulic Option)	11.4 ft. (16 ft.) 3.5 m (4.9 m)	18.0 ft./min (5.5 m/min)	650 lbs. (295 kg)	Class 3
PSC 4016 H	4,000 lbs. (1814 kg)	18,500 ft. lbs. (25.1 kNm (2.6 mt))	23,235 ft. lbs. (31.4 kNm (3.2 mt))	1 Hydraulic + 1 Manual (2 Hydraulic Option)	11.4 ft. (16 ft.) 3.5 m (4.9 m)	40.0 ft./min (12.2 m/min)	630 lbs. (286 kg)	Class 3
PSC 4025 E	4,000 lbs. (1814 kg)	18,500 ft. lbs. (25.1 kNm (2.6 mt))	20,585 ft. lbs. (27.9 kNm (2.9 mt))	2 Hydraulic	25 ft. (7.6 m)	19.0 ft./min (5.8 m/min)	1010 lbs. (458 kg)	Class 3
PSC 4025 H	4,000 lbs. (1814 kg)	18,500 ft. lbs. (25.1 kNm (2.6 mt))	20,585 ft. lbs. (27.9 kNm (2.9 mt))	2 Hydraulic	25 ft. (7.6 m)	40.0 ft./min (12.2 m/min)	995 lbs. (451 kg)	Class 3
PSC 5025 E	5,000 lbs. (2286 kg)	32,500 ft. lbs. (44.2 kNm (4.5 mt))	34,580 ft. lbs. (49.3 kNm (5.0 mt))	2 Hydraulic	25 ft. (7.6 m)	19.0 ft./min (5.8 m/min)	1170 lbs. (530 kg)	Class 4
PSC 5025 H	5,000 lbs. (2286 kg)	32,500 ft. lbs. (44.2 kNm (4.5 mt))	34,580 ft. lbs. (49.3 kNm (5.0 mt))	2 Hydraulic	25 ft. (7.6 m)	34.0 ft./min (10.3 m/min)	1155 lbs. (525 kg)	Class 4
PSC 6025 E	6,000 lbs. (2750 kg)	38,500 ft. lbs. (52.2 kNm (5.3 mt))	43,730 ft. lbs. (58.0 kNm (5.9 mt))	2 Hydraulic	25 ft. (7.6 m)	23.0 ft./min (7.0 m/min)	1280 lbs. (580 kg)	Class 4
PSC 6025 H	6,000 lbs. (2750 kg)	38,500 ft. lbs. (52.2 kNm (5.3 mt))	43,730 ft. lbs. (58.0 kNm (5.9 mt))	2 Hydraulic	25 ft. (7.6 m)	52.0 ft./min (15.8 m/min)	1230 lbs. (560 kg)	Class 4
PSC 8029 H	8,000 lbs. (3650 kg)	43,000 ft. lbs. (58.3 kNm (5.9 mt))	49,180 ft. lbs. (66.5 kNm (6.8 mt))	2 Hydraulic	29.1 ft. (8.9 m)	60 ft./min (18.2 m/min)	2149 lbs. (975 kg)	Class 5
PSC 10829 H	10,800 lbs. (4900 kg)	62,000 ft. lbs. (84.1 kNm (8.6 mt))	68,900 ft. lbs. (93.2 kNm (9.5 mt))	2 Hydraulic	29.1 ft. (8.9 m)	60 ft./min (18.2 m/min)	2407 lbs. (1092 kg)	Class 6
PSC 12529 H	12,500 lbs. (5700 kg)	72,000 ft. lbs. (97.6 kNm (10 mt))	79,450 ft. lbs. (107.7 kNm (11 mt))	2 Hydraulic	29.1 ft. (8.9 m)	60 ft./min (18.2 m/min)	2731 lbs. (1239 kg)	Class 6
PSC 14029 H	14,000 lbs. (6400 kg)	86,000 ft. lbs. (116.6 kNm (11.9 mt))	94,676 ft. lbs. (128.4 kNm (13 mt))	2 Hydraulic	29.1 ft. (8.9 m)	60 ft./min (18.2 m/min)	2833 lbs. (1285 kg)	Class 7

SERVICE CRANE FEATURES



PLANETARY WINCH PROVIDES SPEED & DURABILITY

The integrated two-block damage prevention system eliminates the need for boom tip apparatus and cord reel. Complies with ASME B30.5.



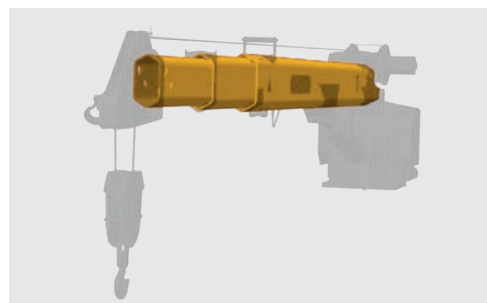
HORSE HEAD

Low profile design with no bail and limit switch to interfere with operation.



LOAD BLOCK STOWING BRACKET

Bracket and pads designed to keep load block from contacting the boom when stowed.



HEXAGONAL BOOMS

MADE BY PALFINGER - Low maintenance high tensile strength self-centering single weld boom sections powered by internal extension cylinders.



CYLINDERS

MADE BY PALFINGER - All cylinders are e-coated and use a 5 stage marine grade seal system.



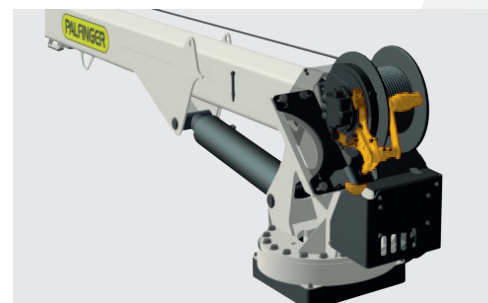
CONTROL SYSTEM

Features a standard proportional wireless remote control unit, integrated E-stop button, warning horn and manual valve activation capability. Cranes are controlled with 12V DC power supply.



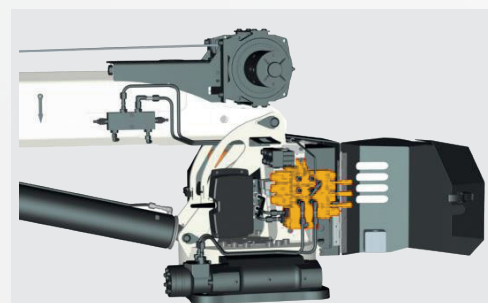
PROTECTIVE COVERS

Designed to protect your sensitive crane operating components against the weather and damage from exterior forces. Functional hinge design allows easy access to the receiver.



3RD WRAP LIMITING SYSTEM

Integrated system prevents wire rope spool off, ensuring three wraps remain on drum. Exceeds ASME B30.5. *Optional 3216-6025



PROPORTIONAL CONTROL

Through the control valve, proportional control is standard on all hydraulic crane functions.

BOOM MATERIAL

The boom is constructed of 100 grade tensile strength steel, robotically formed and welded out of one piece for superior material performance. Material is E-coated for optimal rust protection.

INDUSTRY STANDARDS MEETS OR EXCEEDS

ASME B30.5
OSHA 1910
OSHA 1926
EN 12999 H1,B6

TWO BLOCK DAMAGE PREVENTION SYSTEM

Two block damage prevention system is integrated into winch mounting platform eliminating the need for boom tip apparatus and cord reel. Complies with ASME B30.5.



LOW MAINTENANCE

There is no need to grease the booms because our lifetime Nylatron wear pads allow the booms to extend and retract without damaging the E-coat protection.

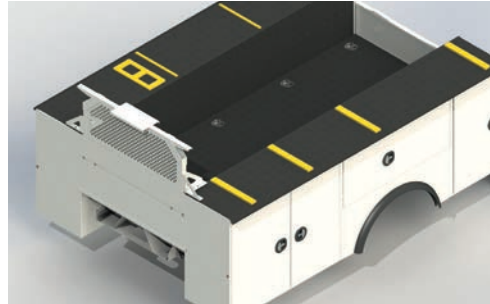


INDUSTRY LEADING WARRANTY

2 years on all components,
3 year warranty on structural components.

CRANE BODY ACCESSORIES

SERVICE CRANE ACCESSORIES



THREADED WELDMENT OPTIONS TO PROTECT YOUR BODY

Boom Rest, Welder, Compressor, EnPak, Air-n-Arc, and AirPak mounts are available from the factory to eliminate the need to drill holes in the body, while protecting your E-coated body.



COMPRESSORS SMALL AND LIGHT-WEIGHT

Offering 100% duty cycle, PALFINGER rotary screw air compressors are compact, light-weight and available in 45 CFM and 60 CFM.



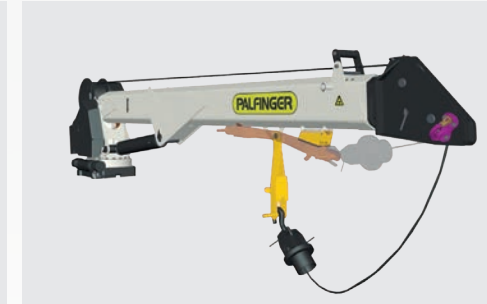
SHELVING OPTIONS FLEXIBLE LAYOUTS

Choose your own compartment layouts with our available shelves and divider trays.



BOOM TIP HOOK 1.5 - 3.5 TON LOAD HOOKS

PALFINGER exclusive boom tip hooks up to 3.5 ton capacity. Boom tip has threaded weldment for mounting.



ELS SYSTEM EASY LOWERING OF LOAD BLOCK

Our ELS System lowers the load block an additional 23" for removal and storage, making it easier to load and unload – especially on larger trucks.



PERSONNEL BASKETS COMPACT AND READY FOR USE

Suitable for PALFINGER Service Cranes with 5,000 lbs. capacity and above, our Personnel Basket doesn't take up valuable load space storage because it's the only collapsible basket in the market.



BOOM REST OPTIONS NEVER COMPROMISE QUALITY

Stow your crane without damaging the paint during transport with our one fixed and two adjustable non-marring boom rest options.



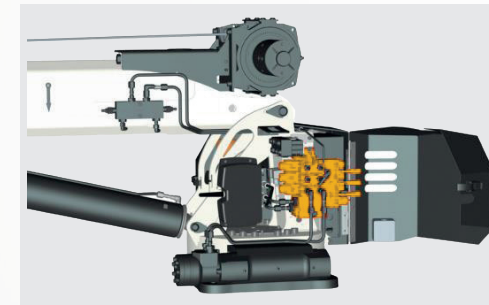
BOLT ON HANDRAIL OPTION FOR ADDED SAFETY

Ergonomically designed handrail option, with a stable surface to grip, for your added security against tripping or slipping hazards.



DRAWER UNIT OPTIONS AVAILABLE IN ALUMINUM

Tool drawer units are available in a wide array of sizes to fit your specific needs.



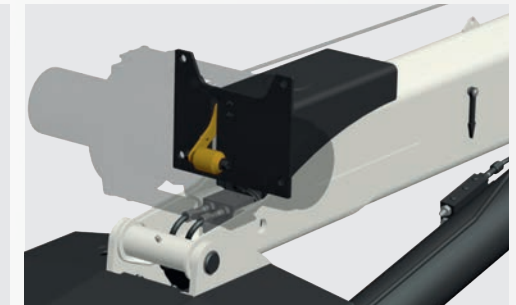
FULLY PROPORTIONAL CONTROL VALVE MULTIPLE FUNCTIONS AT ONCE

Operators can perform multiple functions at once with precision, speed and ultimate control thanks to the Fully Proportional Control Valve. Optional for PSC 6025H. Standard on Large Cranes.



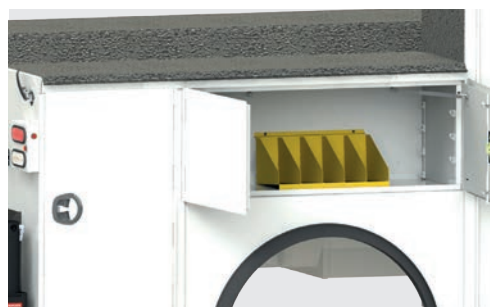
ACOUSTIC 90% LOAD WARNING FOR INCREASED SAFETY

An audible warning communicates to the operator that his service crane is working at 90% load capacity and will soon reach maximum capacity. Available for PSC 3216 – 6025.



3RD WRAP LIMITER FOR FRICTION LOAD HOLDING

Available for PSC 3216 - 6025, 3rd wrap limiters keep 3 wraps of cable around the drum for friction load holding. Exceeds ASME B30.5.



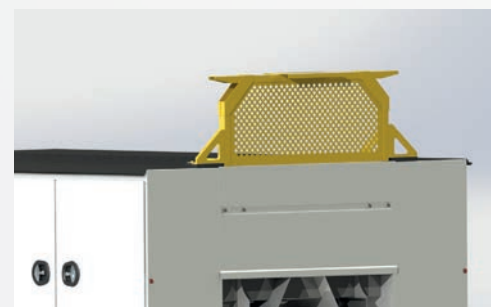
BOOK RACK OPTIONS FOR IMPORTANT DOCUMENTS

A standard option for storing your equipment books and manuals, so important documents are always on-hand.



OUTRIGGERS ADDED STABILITY

Support your lifting application needs with manual and hydraulic outrigger options.



HEADACHE RACK SAVES COSTLY REPAIRS

This light bar bracket with a punched screen prevents cargo area contents from making contact with the rear window of the cab – saving you from costly rear window repairs and cleanup.



PROTECTIVE CASE WITH BELT LOOP KEEPS REMOTE AT YOUR SIDE

Nylon case with clear plastic cover protects your remote control from harsh weather elements, while the belt loop allows you to attach the remote to your work belt for added convenience on the job.



SILICONE COVER FOR REMOTE KEEPS REMOTE CLEAN

Flexible silicone cover helps keep dust, dirt, and grime off of your remote control – so you can focus on controlling your service crane and not cleaning the remote.



REMOTE STORAGE BRACKET SECURELY STOWS REMOTE

Stow the remote control using the metal storage bracket and mount it in the cab or the crane compartment. Thanks to the remote magnet, the remote will be held securely in place during transport.

SERVICE CRANE ACCESSORY PERSONNEL BASKET

DESIGN HIGHLIGHTS

An industry first developed by PALFINGER, our collapsible Personnel Basket is an innovative and compact aerial lift solution designed for PALFINGER Service Cranes. Following a quick and easy set-up process, simply attach to the crane using the Quick Connect crane adaptor and you're ready to work up to 37'. When the job is done, our Personnel Basket is the only one designed to collapse and store into the compact storage box mounted onto the body for transport. Thanks to its low weight, the Personnel Basket requires only a 5,000 lbs. service crane and Class 4 truck.



PERSONNEL BASKET*
MAXIMUM COST EFFECTIVENESS
THANKS TO LOW DEAD WEIGHT

The PALFINGER Personnel Basket is built with high strength steel to minimize its weight. Personnel Basket Weight: 280 lbs. Complete Installation (with Boxes): 400 lbs.



ATTACHABLE TOOL BOXES
EQUIPMENT OPTIMALLY STOWED AWAY

Easily attach up to two optionally available tool boxes to safely store tools and parts while you work in the personnel basket.



ANTI-SLIP SURFACE
SAFE AT ALL TIMES

The foldable patent pending platform features an anti-slip surface to ensure safe standing at all times.



STORAGE BOXES*
COMPACT AND RESOURCEFUL STORAGE

The personnel basket is designed to collapse into a compact storage box to be mounted on the work truck body or platform.



EMERGENCY LOWERING FUNCTION
SAFE SOLUTIONS FOR EVERY SITUATION

In the event of an electrical failure, the emergency lowering valve allows the personnel basket to lower the operator safely.



SPINE LOCKS
SAFE AND USER FRIENDLY

To ensure safe and user-friendly set up, each section of the telescopic spine is equipped with a lock to ensure a defined position at all times.



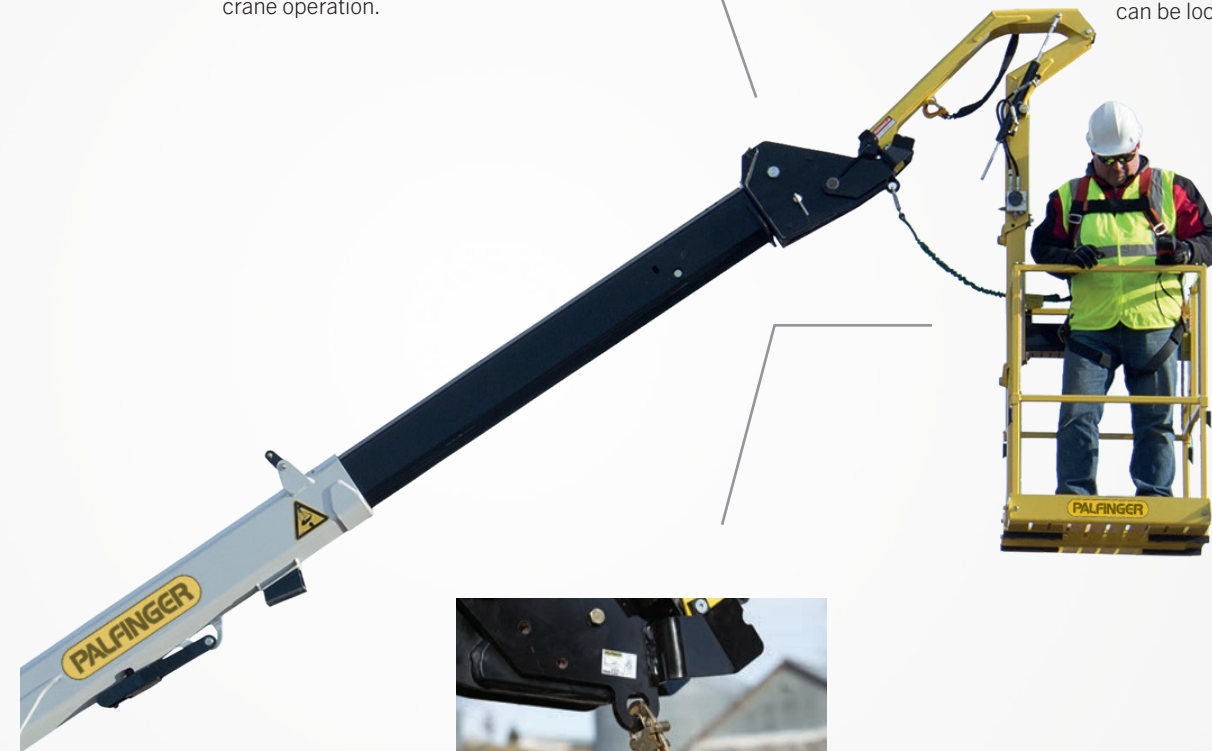
QUICK-CONNECT MECHANISM*
QUICKLY ATTACH THE PERSONNEL BASKET TO THE CRANE

A triple lock mechanism mounted to the crane boom allows quick lock and unlocking of the personnel basket to the crane. The quick connect can remain permanently mounted as it is designed not to interfere with normal crane operation.



HYDRAULIC DAMPENING | LOCKING SYSTEM*
STABILIZES THE PLATFORM
IN EVERY SITUATION

The hydraulic dampening/locking cylinder stabilizes the personnel basket while it is in motion. Once the working position is reached, the basket can be locked in place.



INDUSTRY STANDARDS
MEETS OR EXCEEDS
OSHA 1910



PERSONNEL PROTECTION AT THE BASKET
ENSURES SAFE OPERATIONS

To ensure your protection, the quick-connect features a 2.5T latching point to attach the safety harness.

COMPACT & POWERFUL

COMPRESSORS

The PALFINGER PRC 45V and 60V compressor models are hydraulic driven deck mounted rotary screw air compressors built for the modern work truck. When space is at a premium and weight savings is a priority, rely on the smallest and lightest hydraulic deck mount compressor available. Our compressor systems are designed to work in the most extreme climate conditions, with built-in protection to operate anywhere you work. With two models that provide a CFM range of 25-60 CFM of continuous air output, at 100% duty cycle, you can expect PALFINGER compressors to handle your workload.

EASY TO OPERATE

How easy? Simply press the on/off button on the digital display box. The control system will take care of the rest! The display will show the system status and if something isn't right, it will tell you. When you stop using air for any reason, the compressor goes into Standby Mode. This means essentially it is off, but ready to start up automatically the moment you need air*.

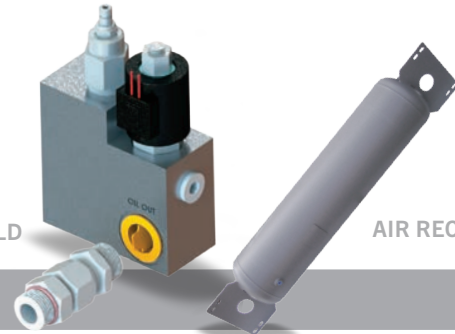
*Assuming proper safety conditions are in place: truck is parked safely and PTO engaged.

INTEGRATED HYDRAULIC/COMPRESSOR OIL COOLER
12V activated fan, turns on/off automatically to adapt to hydraulic and compressor oil temperature.

DIGITAL CONTROL MODULE
Controls system operation and stored settings.

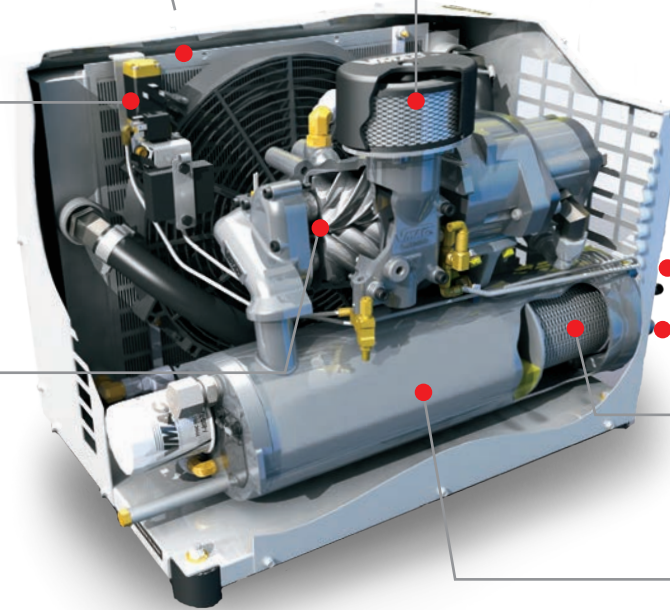
ROTARY SCREW AIR COMPRESSOR
25-60 CFM 100% duty cycle rotary screw compressor, directly driven off hydraulic motor.

COLD CLIMATE MANIFOLD



AIR RECEIVER TANK

AIR FILTER



DIGITAL DISPLAY BOX
LCD for controls, observing system status and adjusting parameters, mounts where needed on truck.



HYDRAULIC MANIFOLD
Controls flow of hydraulic oil through the system.

AIR DISCHARGE

COALESCING FILTER

AIR/OIL SEPARATOR TANK
Separates compressor oil from compressed air.

TECHNICAL SPECIFICATIONS

	PRC 45V	PRC 60V
COMPRESSOR	Style	Oil-injected Rotary Screw
	Air Delivery	45 CFM @ 100 psi (7 bar)
	Max. System Pressure	150 psi (10.3 bar)
	Duty Cycle	Continuous, 100%
	Drive	Spline Drive, (Hydraulic Driven Motor)
	Air Outlet	3/4" NPT
	Integrated Valves	Automatic Air Pressure Blow-down Valve, One-way Air System Check Valve, 200 psi Air Pressure Relief Valve
HYDRAULICS	Flow Requirement	9-14 GPM (34-53 LPM)
	Normal Operating Pressure	1,900 psi (131 bar)
	Max. Operating Pressure	2,345 psi (162 bar)
	Inlet Port Size	#12 ORB
	Outlet Port Size	#16 ORB
Hydraulic Cooler	Integrated Dual Chamber Hydraulic & Compressor Oil Radiator w/ 12 volt Thermally Activated 16" Cooling Fan	

	PRC 45V	PRC 60V
ELECTRICAL	Controls	LCD Digital Display Box (System status, adjustable parameters, error reporting)
	Fan	16", 12V Thermally Activated
	Shutdown	High Compressor and Hydraulic Oil Temp Shutdown
SAFETY & MAINTENANCE	Indicators	LED indicators on Control Box
	Access	Removable top, front and side Panels
	Cold Start	Cold Start Protection
	Pressure Relief	200 psi (13.8 bar) Air Pressure Relief Valve
	Hydraulic Pressure Relief	2,800 psi (193 bar) Hydraulic Pressure Relief Valve
ADDITIONAL SPECS	Dimensions	16.5" W x 24.0" L x 18" H (42 cm W x 61 cm L x 46 cm H)
	Weight (Dry)	150 lbs (68 kg) (dry)
	Canopy	Powder Coated Aluminum
	Pressure Relief	200 psi (13.8 bar) Air Pressure Relief Valve
	Hydraulic Pressure Relief	3,300 psi (227 bar) Hydraulic Pressure Relief Valve

E-COATING – ENVIRONMENTALLY FRIENDLY RUST PROTECTION

Nearly all Omaha Standard Palfinger products receive complete electrocoat (E-coat) prime paint coverage. Unlike alternative equipment, our components are E-coated before installation to ensure total paint coverage - even in the most critical areas. You can expect the best rust protection in the industry - period.



12 STEP PAINT PROCESS PROVIDES THE ULTIMATE RUST RESISTANCE & IS ENVIRONMENTALLY FRIENDLY

Components are cleaned and pretreated with a phosphate conversion coating to prepare the product for electrocoating. When dipped into a paint bath, direct current is applied between the product and a counter electrode. The electric field attracts paint to the product and deposits it onto the product.

Components are removed from the bath and rinsed to reclaim any unset paint solids. Our E-coat is environmentally-friendly, recyclable, and efficient. The paint is applied to a precise thickness over the entire product, so no paint is wasted. Next, products are transferred to the bake oven and completely cured at a temperature of 375°.

Our products are durable and corrosion resistant thanks to the complete coverage of the E-coat. "Green" initiatives are involved in all activities of the PALFINGER North America Group, including manufacturing, procurement, new product development.



PUT IT ALL TOGETHER

ONE PACKAGE

A RELIABLE PARTNER – PALFINGER IS YOUR ONE-STOP SOLUTION
Rely on Omaha Standard Palfinger to provide the right equipment for your job. You can expect a competitive service truck solution when you put our Mechanic Bodies, Service Cranes and Compressors together. Offering a range of standard configurations, and non-standard configurations upon request, we are committed to your solution.

WE STOCK COMPLETED WORK READY PACKAGES, WITH RENTAL OPTIONS AVAILABLE AS WELL. CONTACT YOUR DISTRIBUTOR TODAY.



At PALFINGER, we recognize the high value of after the sale service and support. That's why we have dedicated distribution partners conveniently located across North America. Our ever-expanding distribution network is always there for you to serve your product requirements.

With European technology and North American manufacturing, our passion for innovation, reliability and efficiency is your benefit on the job.

TO LOCATE A DISTRIBUTOR NEAR YOU VISIT WWW.PALFINGER.COM

CLASS

CHASSIS

CAB TO AXLE (DW ONLY)
BODY

PSC 3216 (4000 LBS.)
PSC 4016 (4000 LBS.)
PSC 4025 (4000 LBS.)
PSC 5025 (5000 LBS.)
PSC 6025 (6000 LBS.)
PSC 8029 (8000 LBS.)
PSC 10529 (10,500 LBS.)
PSC 12529 (12,500 LBS.)
PSC 14029 (14,000 LBS.)

CLASS	CHASSIS	CAB TO AXLE (DW ONLY)	BODY	PSC 3216 (4000 LBS.)	PSC 4016 (4000 LBS.)	PSC 4025 (4000 LBS.)	PSC 5025 (5000 LBS.)	PSC 6025 (6000 LBS.)	PSC 8029 (8000 LBS.)	PSC 10529 (10,500 LBS.)	PSC 12529 (12,500 LBS.)	PSC 14029 (14,000 LBS.)
3	Ford F-350 Super Duty Cab Chassis (10,001 GVWR+)	60" DW	PAL Pro 20	○	○	○						
3	GM 3500 Chassis Cab	60" DW	PAL Pro 20	○	○	○						
3	Ram 3500 Cab Chassis	60" DW	PAL Pro 20	○	○	○						
3	Ford F-350 Cab Chassis	84" DW	PAL Pro 20	○	○	○						
3	GM 3500 Chassis Cab	84" DW	PAL Pro 20	○	○	○						
3	Ram 3500 Cab Chassis	84" DW	PAL Pro 20	○	○	○						
4	Ford F-450 Super Duty Cab Chassis	60" DW	PAL Pro 20	○	○	○						
4	Ram 4500 Cab Chassis	60" DW	PAL Pro 20	○	○	○						
4	Ford F-450 Super Duty Cab Chassis	60" DW	PAL Pro 39	○	○	○	○	○				
4	Ram 4500 Cab Chassis	60" DW	PAL Pro 39	○	○	○	○	○				
4	Ford F-450 Super Duty Cab Chassis	84" DW	PAL Pro 20	○	○	○						
4	Ram 4500 Cab Chassis	84" DW	PAL Pro 20	○	○	○						
4	Ford F-450 Super Duty Cab Chassis *	84" DW	PAL Pro 39	○	○	○	○	○				
4	Ram 4500 Cab Chassis *	84" DW	PAL Pro 39	○	○	○	○	○				
5	Ford F-550 Super Duty Cab Chassis	60" DW	PAL Pro 20	○	○	○						
5	Ram 5500 Cab Chassis	60" DW	PAL Pro 20	○	○	○						
5	Chevrolet 5500/6500	60" DW	PAL Pro 20	○	○	○						
5	Ford F-550 Super Duty Cab Chassis	60" DW	PAL Pro 39	○	○	○	○	○				
5	Ram 5500 Cab Chassis	60" DW	PAL Pro 39	○	○	○	○	○				
5	Chevrolet 5500/6500	60" DW	PAL Pro 39	○	○	○	○	○				
5	Ford F-550 Super Duty Cab Chassis	84" DW	PAL Pro 20	○	○	○						
5	Ram 5500 Cab Chassis	84" DW	PAL Pro 20	○	○	○						
5	Chevrolet 5500/6500	84" DW	PAL Pro 20	○	○	○						
5	Ford F-550 Super Duty Cab Chassis	84" DW	PAL Pro 39	○	○	○	○	○				
5	Ram 5500 Cab Chassis	84" DW	PAL Pro 39	○	○	○	○	○				
5	Chevrolet 5500/6500	84" DW	PAL Pro 39	○	○	○	○	○				
5	Freightliner M2-106	84" DW	PAL Pro 39	○	○	○	○	○				
5	Kenworth T170	84" DW	PAL Pro 39	○	○	○	○	○				
5	International CV	84" DW	PAL Pro 39	○	○	○	○	○				

CLASS

CHASSIS

CAB TO AXLE (DW ONLY)
BODY

PSC 3216 (4000 LBS.)
PSC 4016 (4000 LBS.)
PSC 4025 (4000 LBS.)
PSC 5025 (5000 LBS.)
PSC 6025 (6000 LBS.)
PSC 8029 (8000 LBS.)
PSC 10529 (10,500 LBS.)
PSC 12529 (12,500 LBS.)
PSC 14029 (14,000 LBS.)

CLASS	CHASSIS	CAB TO AXLE (DW ONLY)	BODY	PSC 3216 (4000 LBS.)	PSC 4016 (4000 LBS.)	PSC 4025 (4000 LBS.)	PSC 5025 (5000 LBS.)	PSC 6025 (6000 LBS.)	PSC 8029 (8000 LBS.)	PSC 10529 (10,500 LBS.)	PSC 12529 (12,500 LBS.)	PSC 14029 (14,000 LBS.)
5	Chevrolet 5500/6500	84" DW	PAL Pro 43	○	○	○	○	○				
5	Ford F-550 Super Duty Cab Chassis	84" DW	PAL Pro 43	○	○	○	○	○				
5	Freightliner M2-106	84" DW	PAL Pro 43	○	○	○	○	○				
5	Kenworth T170	84" DW	PAL Pro 43	○	○	○	○	○				
5	Ram 5500 Cab Chassis	84" DW	PAL Pro 43	○	○	○	○	○				
5	International CV	84" DW	PAL Pro 43	○	○	○	○	○				
6	International MV	84" & 120" DW	PAL Pro 72	○	○	○	○	○	○	○		
6	Ford F-650	84" & 120" DW	PAL Pro 72	○	○	○	○	○	○	○		
6	Freightliner M2-106	84" & 120" DW	PAL Pro 72	○	○	○	○	○	○	○		
6	Kenworth T270	84" & 120" DW	PAL Pro 72	○	○	○	○	○	○	○		
6	Peterbilt 330/337	84" & 120" DW	PAL Pro 72	○	○	○	○	○	○	○		
7	International MV	84" & 120" DW	PAL Pro 72	○	○	○	○	○	○	○		
7	Ford F-750	84" & 120" DW	PAL Pro 72	○	○	○	○	○	○	○		
7	Freightliner M2-106	84" & 120" DW	PAL Pro 72	○	○	○	○	○	○	○		
7	Kenworth T370	84" & 120" DW	PAL Pro 72	○	○	○	○	○	○	○		
7	Peterbilt 337/348	84" & 120" DW	PAL Pro 72	○	○	○	○	○	○	○		
7	Western Star 4700	84" & 120" DW	PAL Pro 72	○	○	○	○	○	○	○		
7	Freightliner M2-106 **	120" DW	PAL Pro 86									○
7	International MV**	120" DW	PAL Pro 86									○
7	Kenworth T370 **	120" DW	PAL Pro 86									○
7	Peterbilt 337/348 **	120" DW	PAL Pro 86									○
7	Western Star 4700 **	120" DW	PAL Pro 86									○

* Consult Factory for application and payload analysis
** Body and Crane Package Requires 33,000 GVWR Chassis

BODY & CRANE APPLICATION GUIDE



SERVICE TRUCK SOLUTIONS. 01/20

OMAHA STANDARD PALFINGER

3501 S. 11th Street | Council Bluffs, IA 51501

T + 1 800 279 2201

info@palfingerna.com

Products shown in the leaflet are partially equipped with optional features and do not always correspond to the standard version.
Country-specific regulations must be observed.
Dimensions may vary. Subject to product changes and improvements.