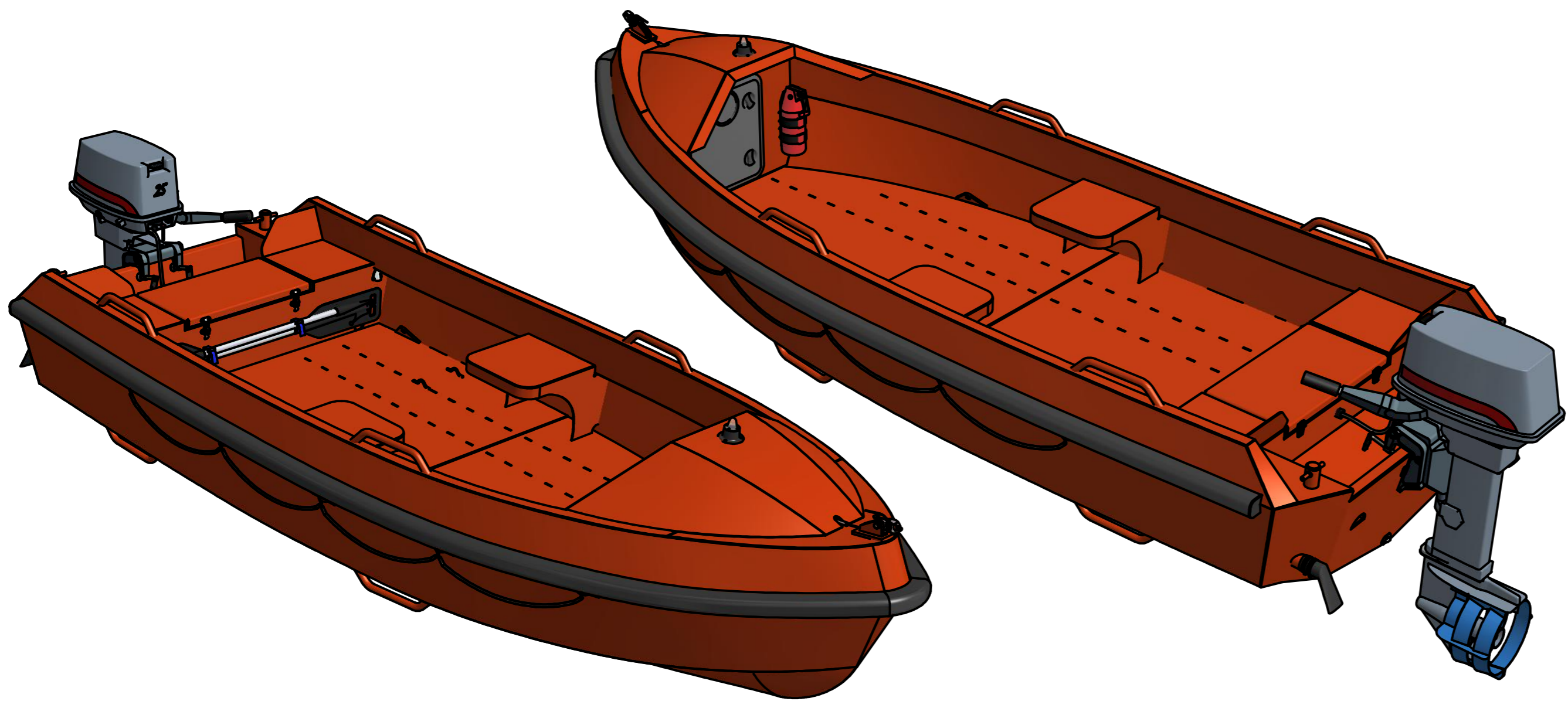
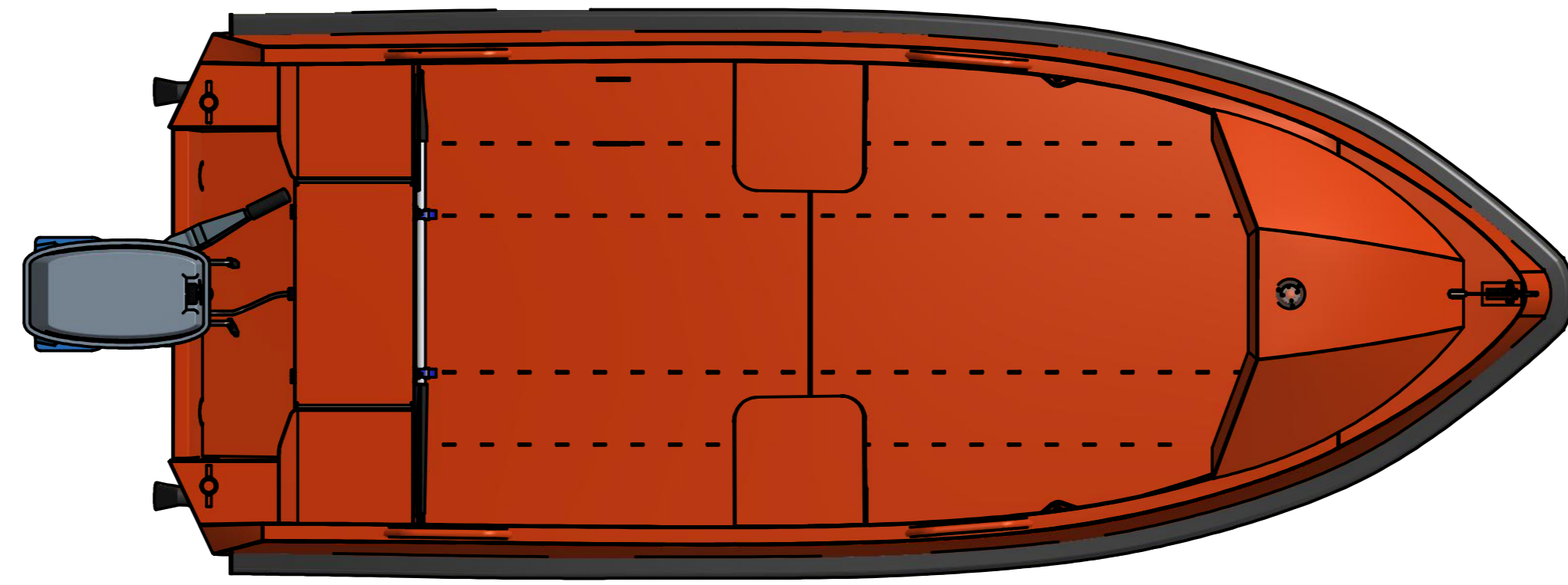
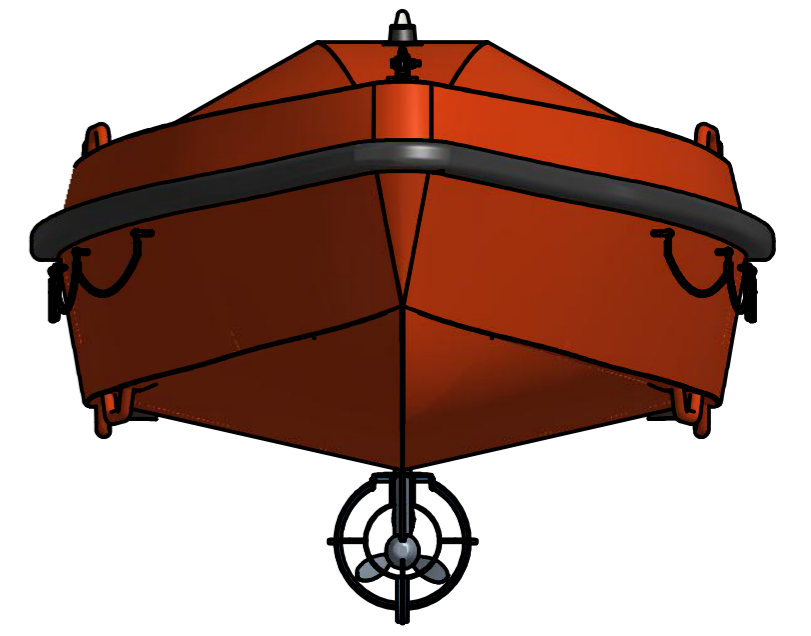
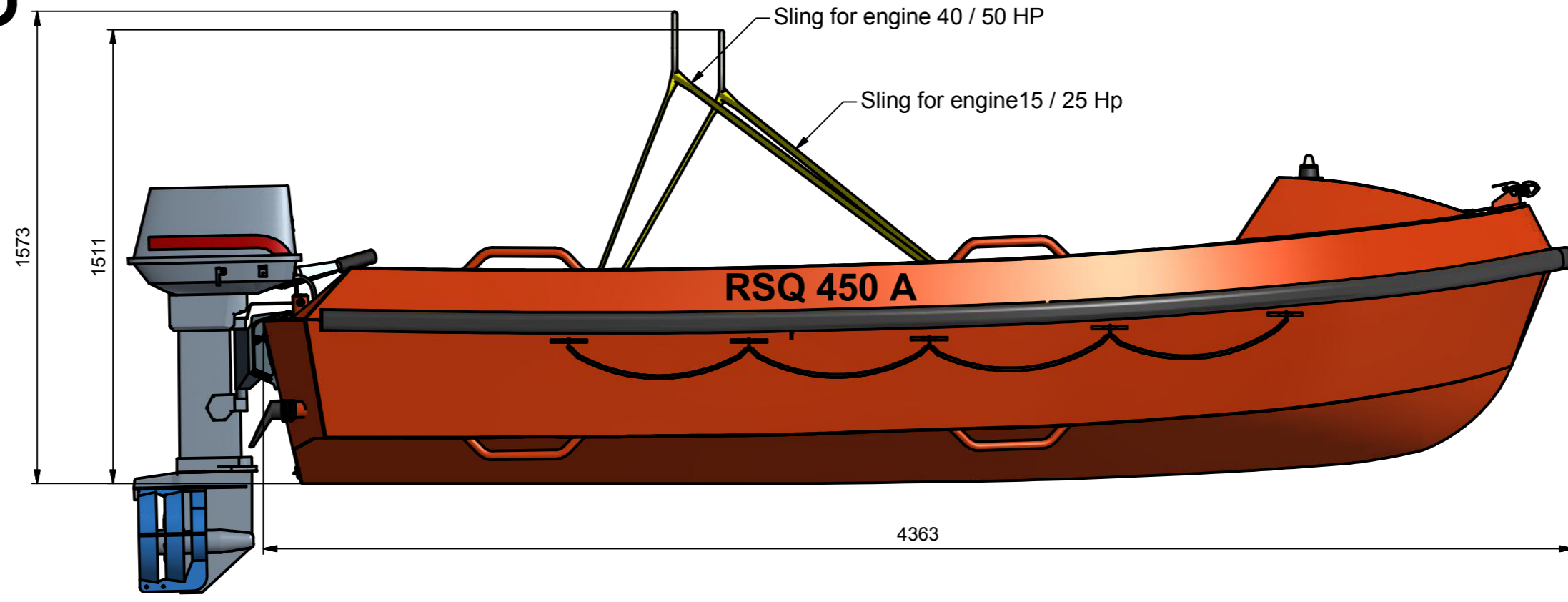
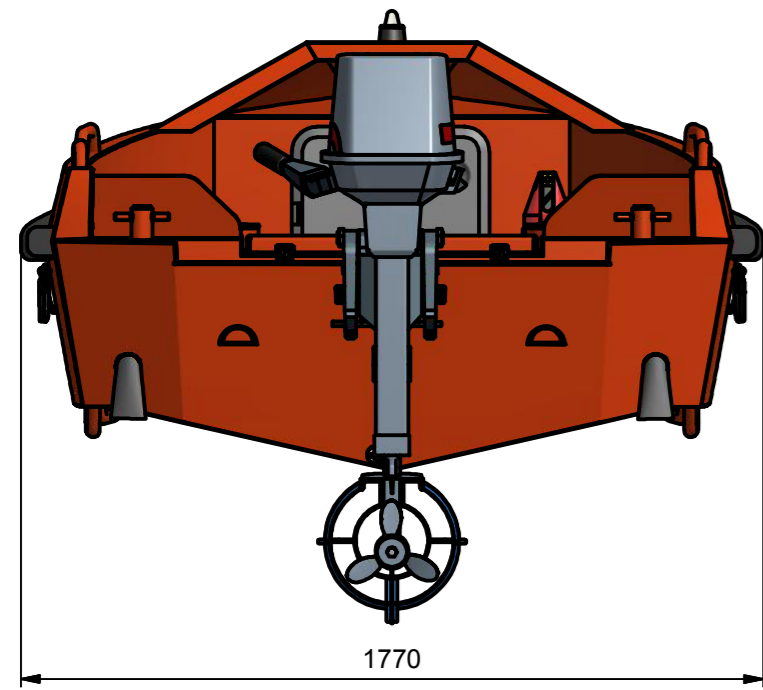


THIS DRAWING IS FOR INFORMATION AND CAN NOT BE USED FOR CONSTRUCTION OR FABRICATION, PRIOR TO FINAL DESIGN

PALFINGER BOATS RESERVES THE RIGHT TO CHANGE THE PRODUCT DESIGN, MATERIALS, AND SPECIFICATIONS WITHOUT INCURRING OBLIGATIONS. RESPONSIBILITY FOR THE USE AND APPLICATION OF THE PRODUCT RESTS WITH THE USER



GENERAL PARTICULARS	
LENGTH OVER ALL	4363 mm
BEAM OVER ALL	1770 mm
HEIGHT KEEL TO TOP	1573 mm

REV				TITLE: GENERAL ARRANGEMENT			
D	Updated title block	28/03/17	LTT	PROJECT: RSQ 450 A			
C	Updated	16/08/16	LTT	Tolerance Unless Specified			
B	Updated	09/10/15	LTT	X mm	± 0.2	XX °	± 1
A	Updated	25/05/15	LTT	X.X mm	± 0.1	X °	± 0.1
-	Initially created	15/04/14	vnt	X.XX mm	± 0.05	X.X °	± 0.05
DRAWN: vnt				STATUS BY: AM			
DATE: 4/15/2014				STATUS ON: 3/28/2017			
SYSTEM: 000-General				STATUS: Released			
This drawing is the property of Palfinger and may not be reproduced or distributed to third parties without their specific written consent				Third Angle projection All dimensions in mm SCALE: 1:18 SIZE: PART NUMBER: A2 3FA-100013 REV: VER: D 02			



Palfinger
 Pastoordijk 8, Harderwijk Tel.: (+31) 854 868 200
 3846 BS, The Netherlands Email: boats@palfinger.com