

MAIN DATA:
 YARD / OWNER: _____
 THE SHIP TO BE REGISTERED IN: _____
 CERTIFYING AUTHORITY: _____

DAVIT MAIN DATA:
 LOWERING SPEED: _____ Max. 45 m/min.
 PROTOTYPE APPROVED LOAD: _____ W=24000 kg
 APPROX. TOTAL WEIGHT OF ONE SET OF DAVITS w / WINCH (EXCLUSIVE LIFEBOAT) _____ 10500 kg

LIFEBOAT SPECIFICATION:
 MAKER: _____ PALFINGER MARINE SAFETY AS, Seimsfoss, Norway
 TYPE: _____ CTL 38
 WEIGHT OF BOAT WITH EQUIPMENT: (WE) _____ 12350kg
 WEIGHT OF PERSONS: (150) _____ 11250kg
 TOTAL LOWERING WEIGHT: (WF) _____ 23600kg
 MAX. HOISTING WEIGHT: (WU) _____ 12800kg
 MAIN DIMENSIONS (loa x boa x h) 11920 x 4700 x 3900 mm.

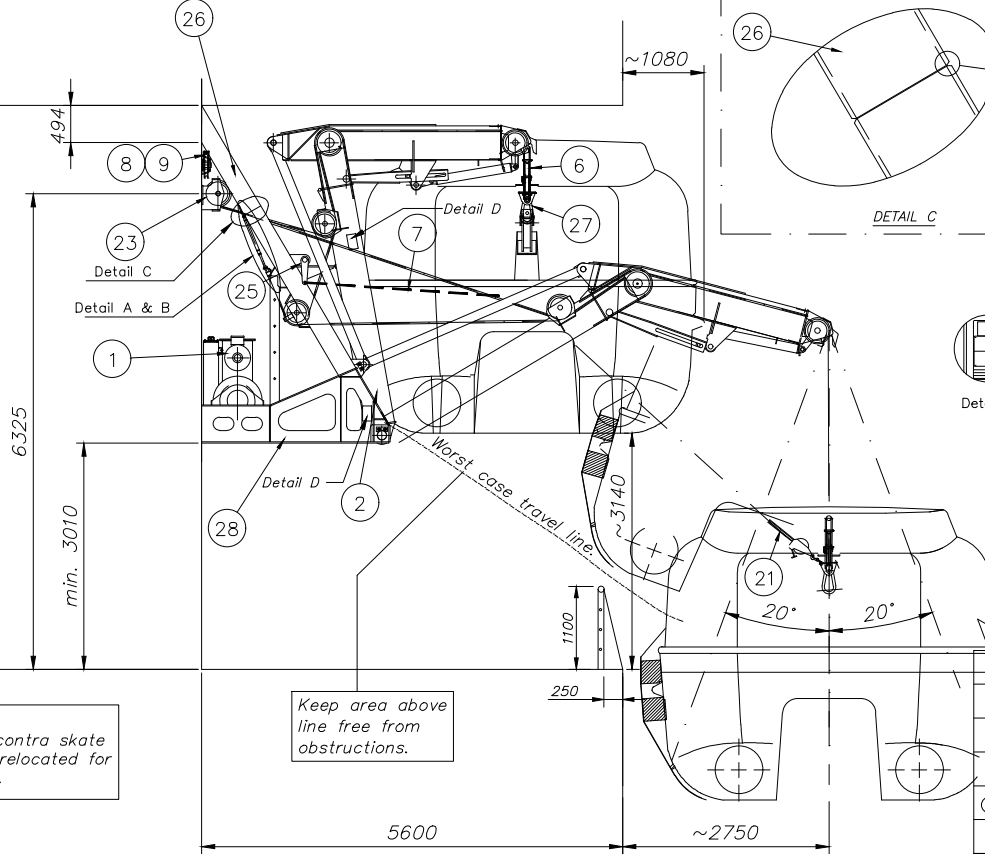
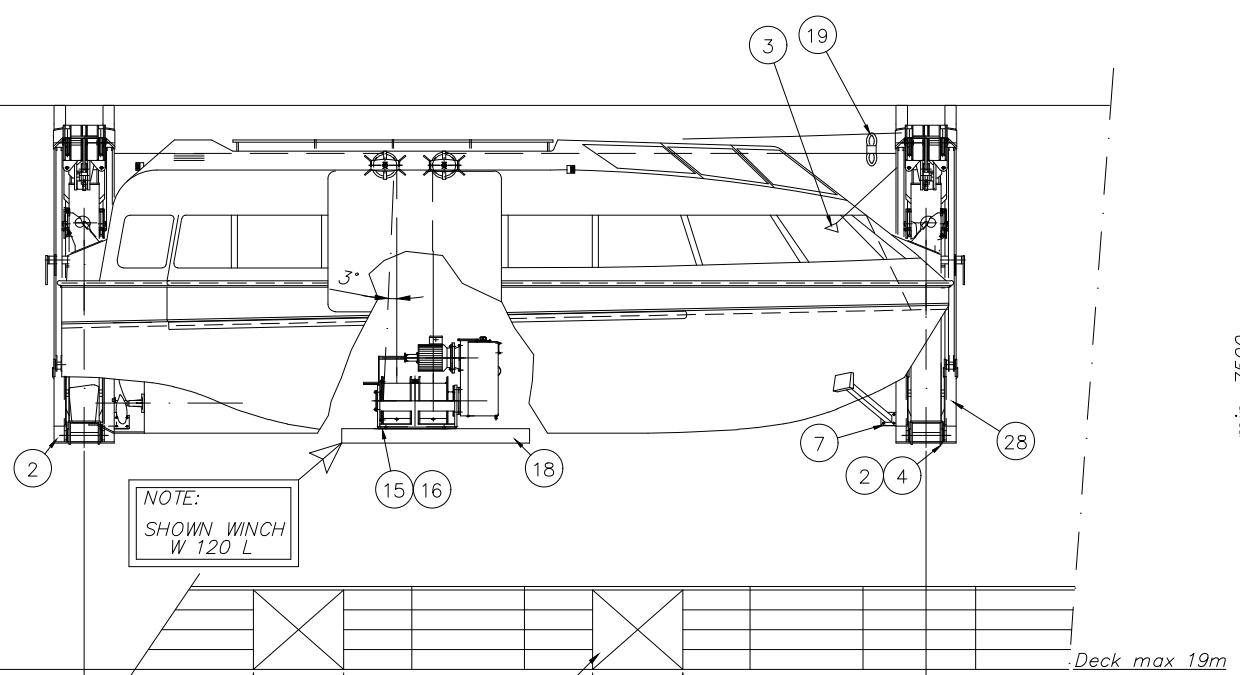
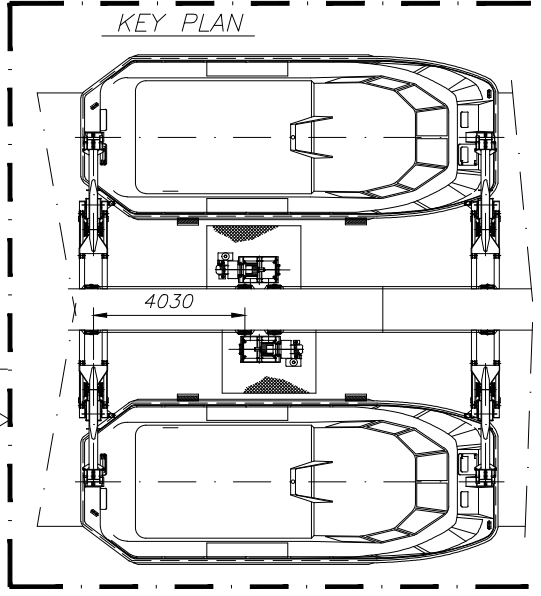
WINCH MAIN DATA:
 TYPE: _____ W 120 L
 PROTOTYPE APPROVED MOMENT: _____ SWM= 31500 Nm
 HOISTING SPEED: (Twin fall) _____ 4,9/5,9 m/min.
 WIRE ROPE CAPACITY: (ø 22) _____ 2x52 m.

ELECTRIC MOTOR DATA:
 TYPE: _____ 7BA 160 L-6
 VOLTAGE: _____ 380/440 V
 FREQUENCY: _____ 50/60 Hz
 SPEED: _____ 947/1140rpm
 EFFECT: _____ 12,3/14kW
 CURRENT: (IN) _____ 28,8/28,3A
 CURRENT: (IS) _____ 116 A
 STARTING METHOD: _____ D.O.L.
 IP: _____ 56

MAX REACTION FORCES:
 MAX ABSOLUTE VALUES, UNITS: kN. & kNm

REACTION TYPE:	Fx	Fy	Fz	Mx	My	Mz
A	23.3	309	244	32.8	19.6	207
B	2.1	131	207	21.6	4.7	1.5
C	58.9		58.9	4.0		4.0
D		56	40.4	5.5		

ALL REACTION FORCES REFERS TO THE CO-ORDINATE SYSTEM INDICATED, WITH ORIGO IN THE AREA CENTRE OF THE ACTUAL FOOTPRINT.
 THE VALUES ARE BASED ON A MAX LIFEBOAT WEIGHT OF 24000 kg AND VARIOUS HEEL/TRIM CONDITIONS.
 MAX HEEL IS 20°; MAX TRIM IS 10°.
 NO LOADFACTOR IS APPLIED.

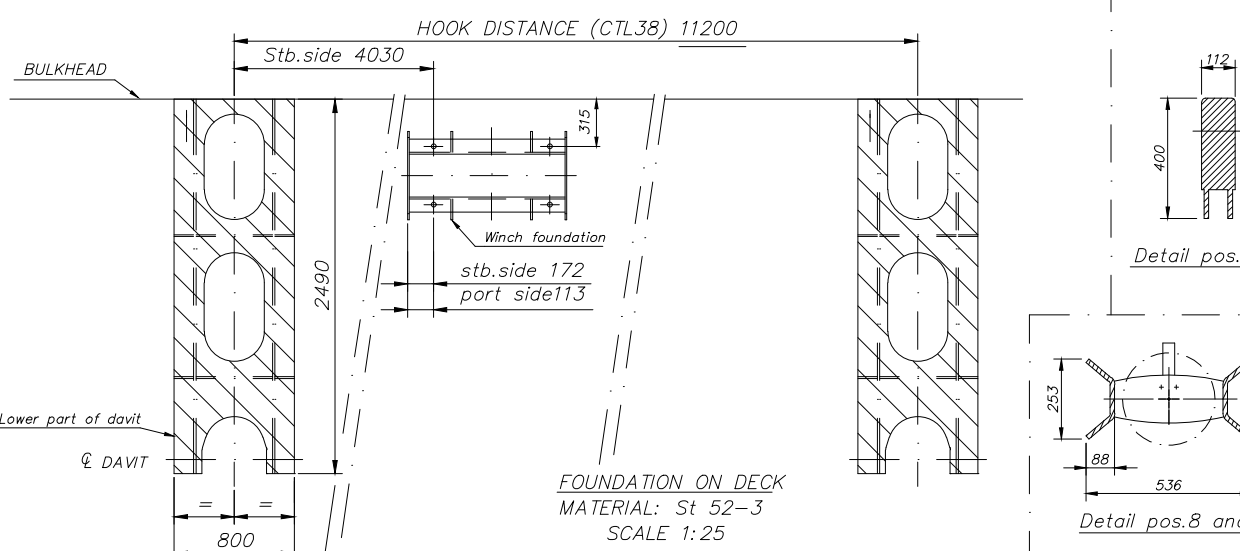
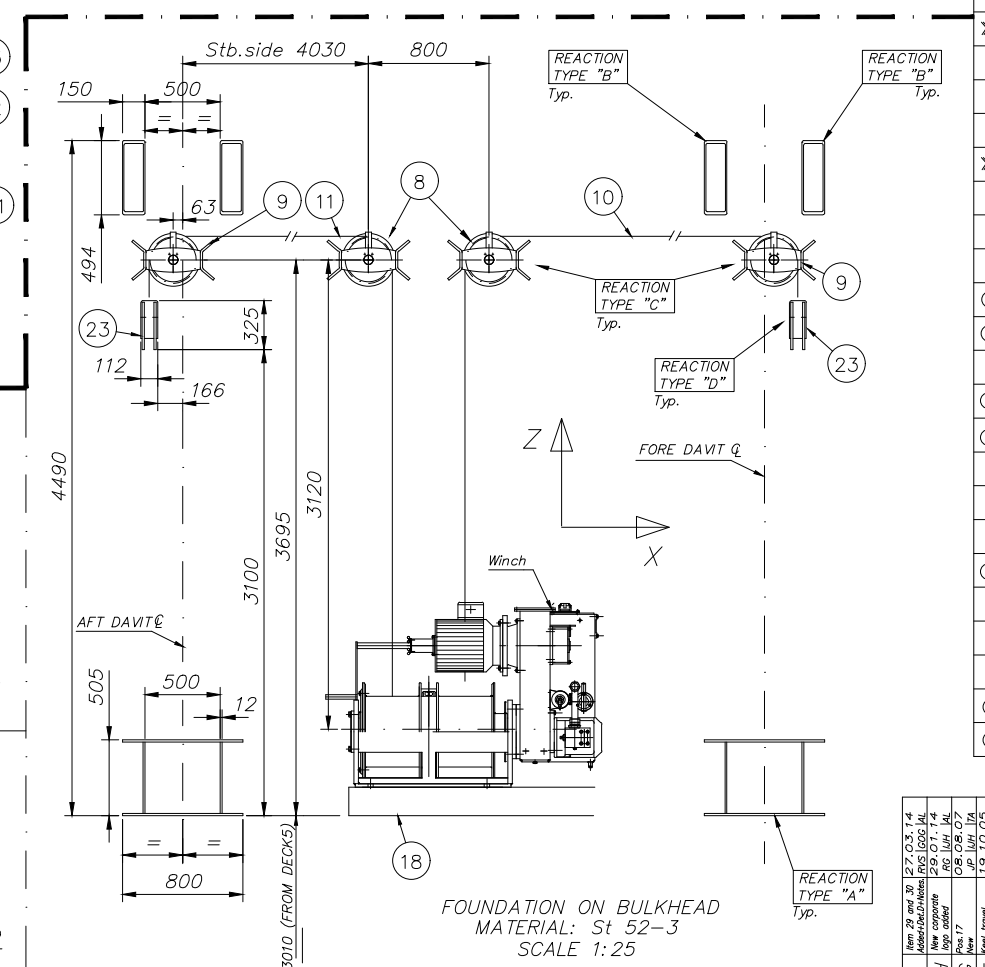
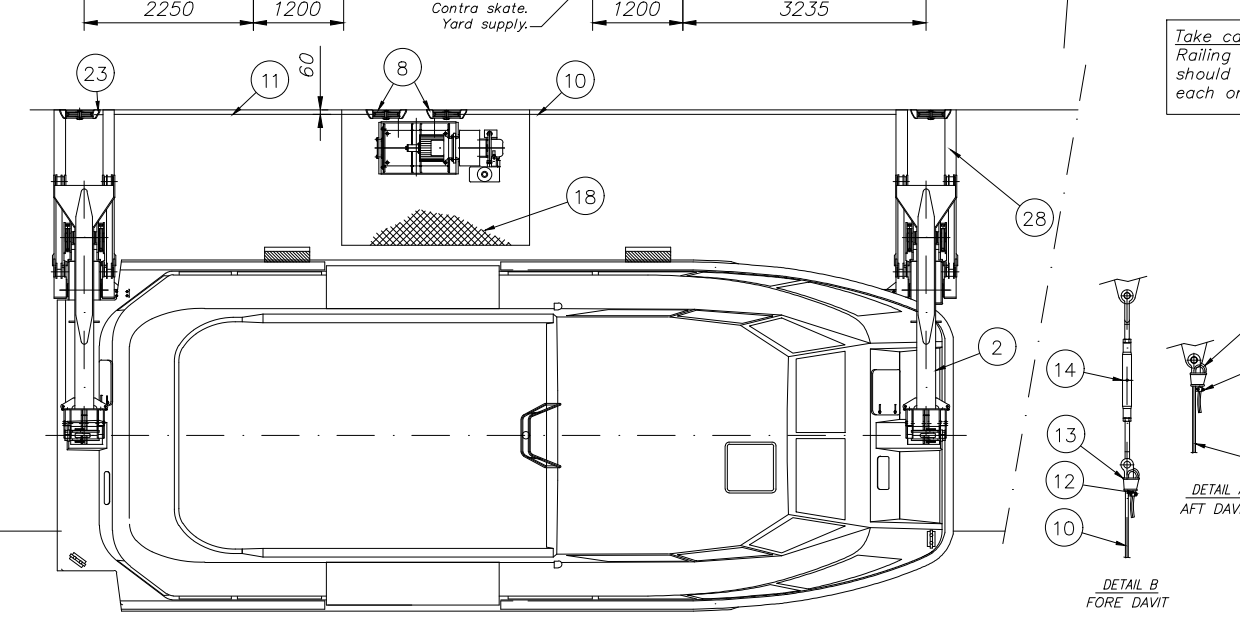


○ = Equipment delivered with certificate.
 ✕ = Yard supply. Not included in standard delivery from PALFINGER MARINE SAFETY A/S

NOTE 1: Ref. Detail D
 Mounting instruction:
 Holes to be drilled ø3,2 mm 10mm deep in st. steel plate and to be fastened with 4pcs ø3,2mm x 9,5mm st. less st. pop nails.

NOTE 2:
 Place for stamps and serial number.

NOTE 3:
 Item 20 ("wheelmark" plate)
 A Standard use only for MED Certification. Art no.: 0770.02872
 B Otherwise, according to CDS/order.



Pos.	Name, type, dimension	No. off	Art. no.	Material	kg.pr. unit	Notes
30	PLATE: PRODUCT SIGN DAVIT	4	NX3145			
29	PLATE: MED SIGN "wheelmark"	4	*			See note 3
28	SUPPORTING TOWER ST001-VIP24FD	2	N65578			
27	LINK SWL T2T, L=300	2	82252			
26	STAY (w/over length) One w/lug f/ fastening fallwire SAFETY BOLT	2	N83414			
25		2	92747			
24						
23	WRESHEAVE W/HOUSING	2	82898			
22	DAVIT FOUNDATION	2				
21	BOWING-TRACING	2	N73298			
20						
19	LIFE LINE ARR.	1	72504			
18	WINCH/SERVICE PLATFORM	1				
17	WINCH FOUNDATION	1	N84347			
16	HEX. LOCK NUT M30	4	0230.06069	8 Galv.		DIN985
15	HEX. SCREW M30x90	4	0210.63959	8,8 Galv		DIN931
14	TURNBUCKLE W/LOCKNUT HG.2227 low & eye 1 1/4"x18"	1	0740.13329	GALV.		
13	OPEN WEDGE SOCKETS w/wedge, pin, nut, and cotter WIREGRIP (Strong grip) ø22	2	0740.02569			
12		2	0740.03119	GALV.		
11	FALLWIRE AFT. 35x7 ø22 Lmax= 76,3m	1	0170.20909	GALV.		
10	FALLWIRE FORE. 35x7 ø22 Lmax= 77,5m	1	0170.20909	GALV.		
9	WRESHEAVE W/HOUSING	2	N83595			
8	WRESHEAVE W/HOUSING 2°	2	N83596			
7	LASHING ARR.	1	N65273			
6	FLOATINGBLOCK COMPL.	2	N73708			
5	EL DIAGRAM 440 V	1	N73333			
4	LIMIT SWITCH ARR.	2	N73723			
3	REMOTECONTROL ARR.	1	N65252			
2	DAVIT ARM ASS.	2	N65272			
1	WINCH W 120 L	1	N65488			

Appr. by: _____ Date: 29.02.00
 Check. by: _____ Date: _____
 Drawn. by: _____ Date: _____
 Rev. by: _____ Date: _____

This drawing is the property of PALFINGER MARINE SAFETY AS. It may not be copied, altered or made available to others without our written permission.

PALFINGER

VIP24FD/CTL38/W120L
 GENERAL ARRANGEMENT
 STANDARD

N65271 I

Scale: 1:50
 Replacement for: _____
 Replaced by: _____