

DAVIT MAIN DATA:

THE SHIP TO BE REGISTERED IN:
APPROVING AUTHORITY:
CERTIFYING AUTHORITY:
LOWERING SPEED:
PROTOTYPE APPROVED LOAD:
YARD / OWNER:

APPROX. TOTAL WEIGHT OF ONE SET OF DAVITS w / WINCH (EXCLUSIVE LIFEBOAT) 9810 kg.

LIFEBOAT SPECIFICATION:

MAKER: PALFINGER MARINE SAFETY AS, SEIMSFOSS, NORWAY
TYPE:
WEIGHT OF BOAT WITH EQUIPMENT:
WEIGHT OF PERSONS:
TOTAL LOWERING WEIGHT:
MAX. HOISTING WEIGHT:

MAIN DIMENSIONS (loa x boa x h) 11920 x 4700 x 3900 mm.

WINCH MAIN DATA:

TYPE:
PROTOTYPE APPROVED MOMENT:
HOISTING SPEED:
WIRE ROPE CAPACITY:

ELECTRIC MOTOR DATA:
TYPE:
VOLTAGE:
FREQUENCY:
SPEED:
EFFECT:

MAX. REACTION FORCES ARE BASED ON:

MAX. LIFEBOAT WEIGHT:
SELF WEIGHT OF THE LAUNCHING ARRANGEMENT:

20° LIST AND 20° H LIST
10° TRIM
(NO TRIM AND LIST WHEN RECOVERING THE LIFEBOAT.)

MAX. REACTION FORCES:

X1 = 443 kN
X2 = 389 kN
Y = 216,5 kN
Mbx = 87,8 kNm
Mby = 141,1 kNm

NOTE 1:

Mounting instruction:
Holes to be drilled ø3,2 mm 10mm deep.
in st. steel plate and to be fastened with
4pcs ø3,2mm x 9,5mm st. less st. pop nails.

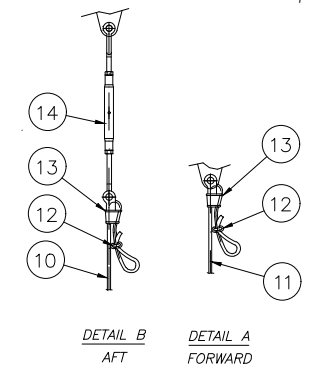
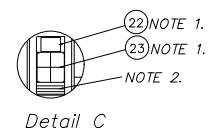
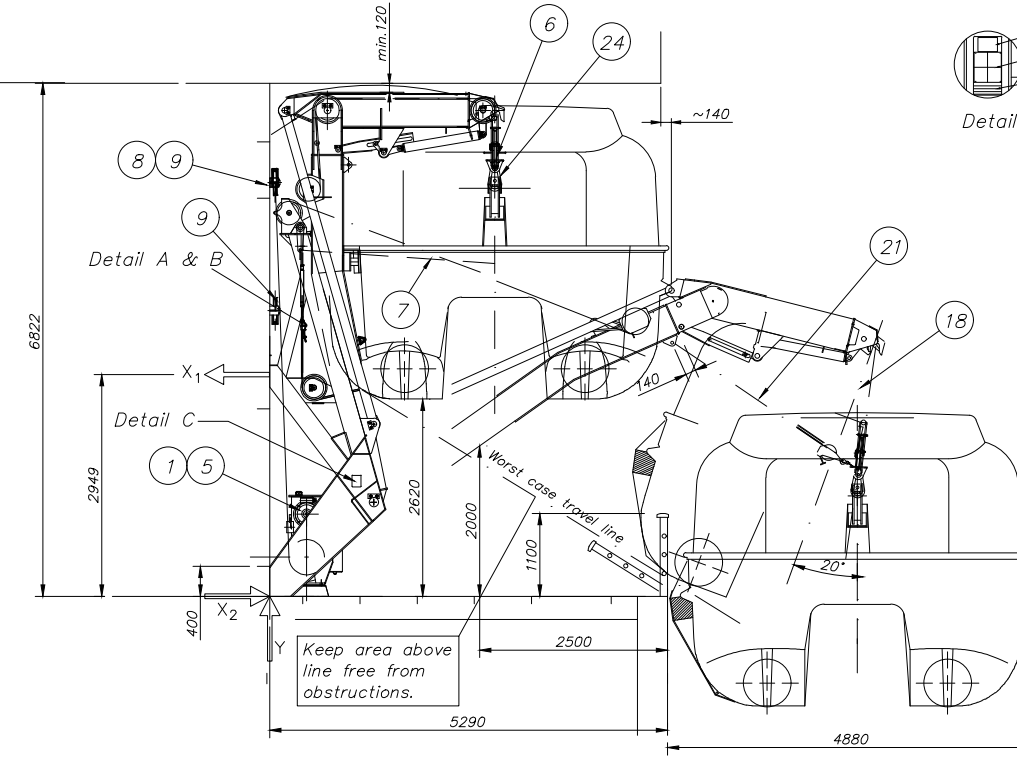
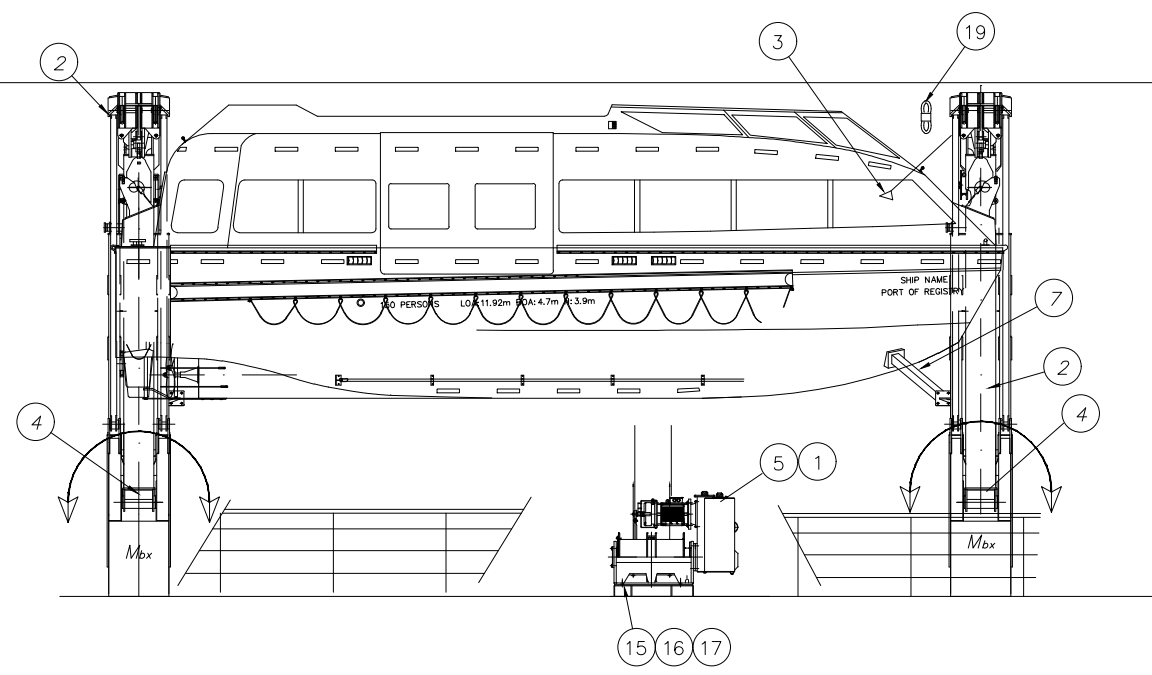
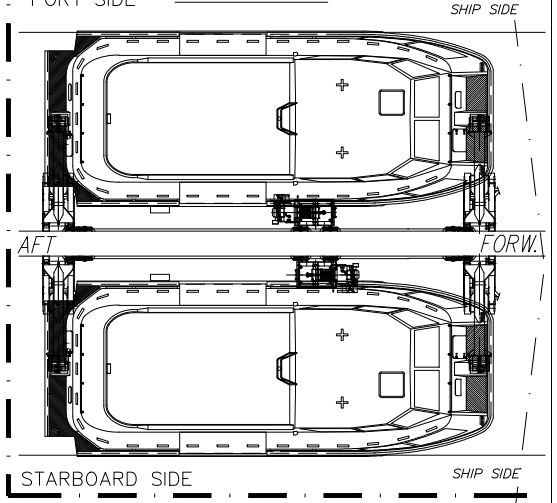
NOTE 2:

Place for stamps and serial number.

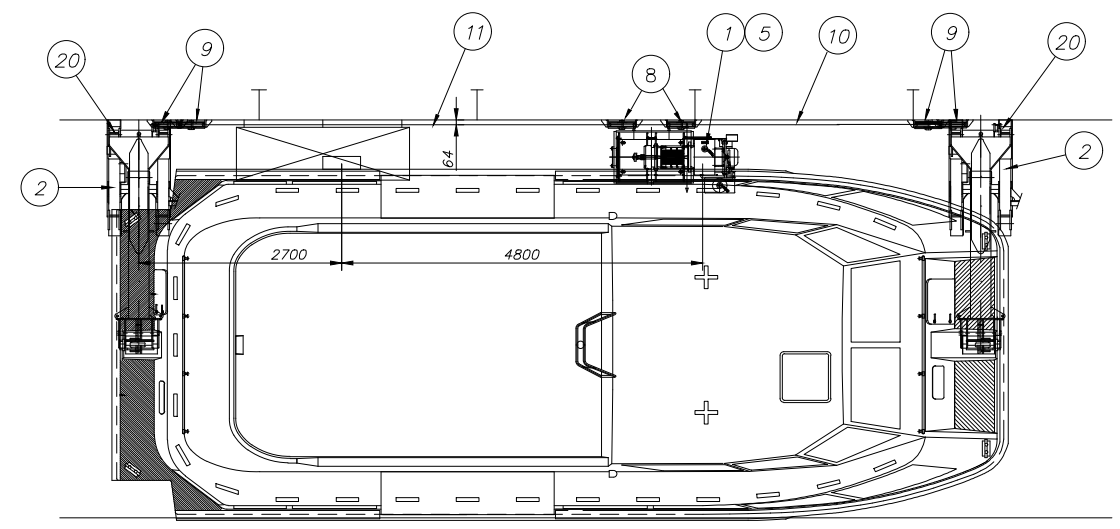
NOTE 3:

Item 22 ("wheelmark" plate)
A Standard use only for MED Certification.
Art no. *: 0770.02872
B Otherwise, according to CDS/order.

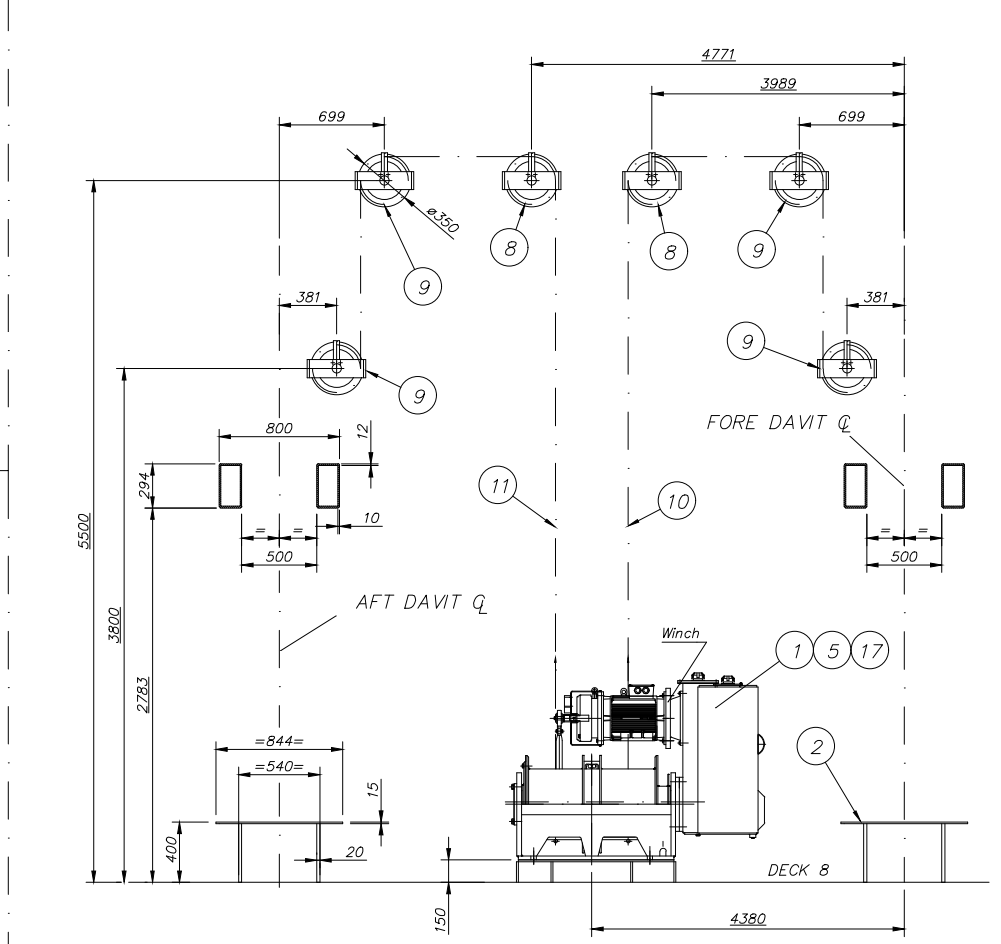
KEY PLAN



Legend: O = Equipment delivered with certificate. X = Yard supply. Not included in standard delivery from PALFINGER MARINE SAFETY AS.



FOUNDATION ON BULKHEAD SCALE 1:25



FOUNDATION ON DECK SCALE 1:25

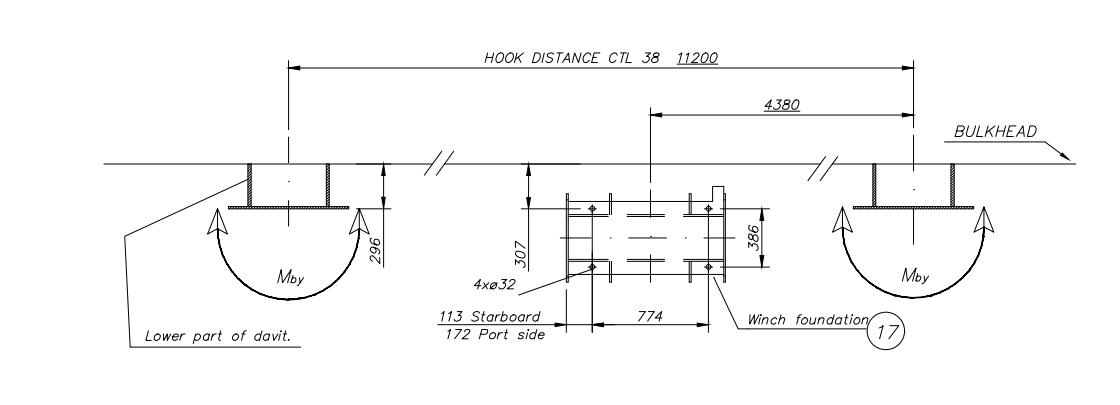


Table with columns for SWL, BL, TL, Item no., Quantity, Description, Material, Art. no., Remarks, kg.pr. unit. Includes a parts list and a signature block for PALFINGER.