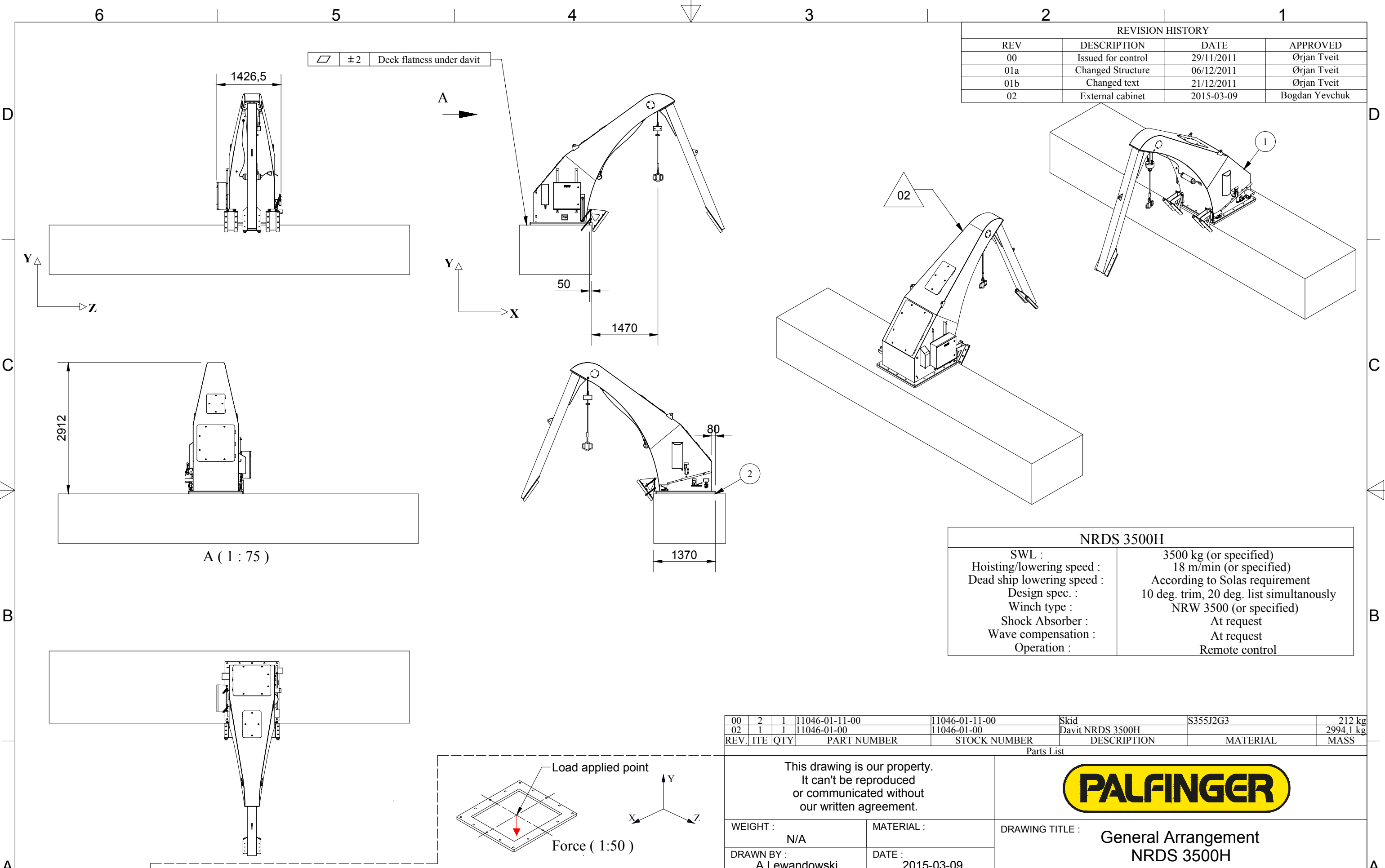


REVISION HISTORY

REV	DESCRIPTION	DATE	APPROVED
00	Issued for control	29/11/2011	Ørjan Tveit
01a	Changed Structure	06/12/2011	Ørjan Tveit
01b	Changed text	21/12/2011	Ørjan Tveit
02	External cabinet	2015-03-09	Bogdan Yevchuk



NRDS 3500H	
SWL :	3500 kg (or specified)
Hoisting/lowering speed :	18 m/min (or specified)
Dead ship lowering speed :	According to Solas requirement
Design spec. :	10 deg. trim, 20 deg. list simultaneously
Winch type :	NRW 3500 (or specified)
Shock Absorber :	At request
Wave compensation :	At request
Operation :	Remote control

REV.	ITE	QTY	PART NUMBER	STOCK NUMBER	DESCRIPTION	MATERIAL	MASS
00	2	1	11046-01-11-00	11046-01-11-00	Skid	S355J2G3	212 kg
02	1	1	11046-01-00	11046-01-00	Davit NRDS 3500H		2994,1 kg

Parts List

This drawing is our property. It can't be reproduced or communicated without our written agreement.

PALFINGER

WEIGHT : N/A MATERIAL : DRAWING TITLE : **General Arrangement NRDS 3500H**

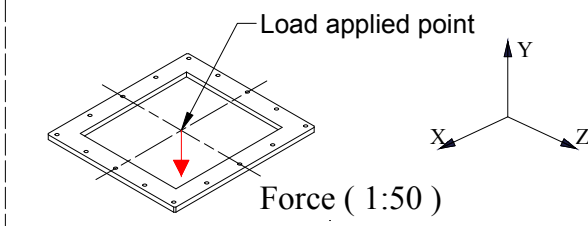
DRAWN BY : A Lewandowski DATE : 2015-03-09

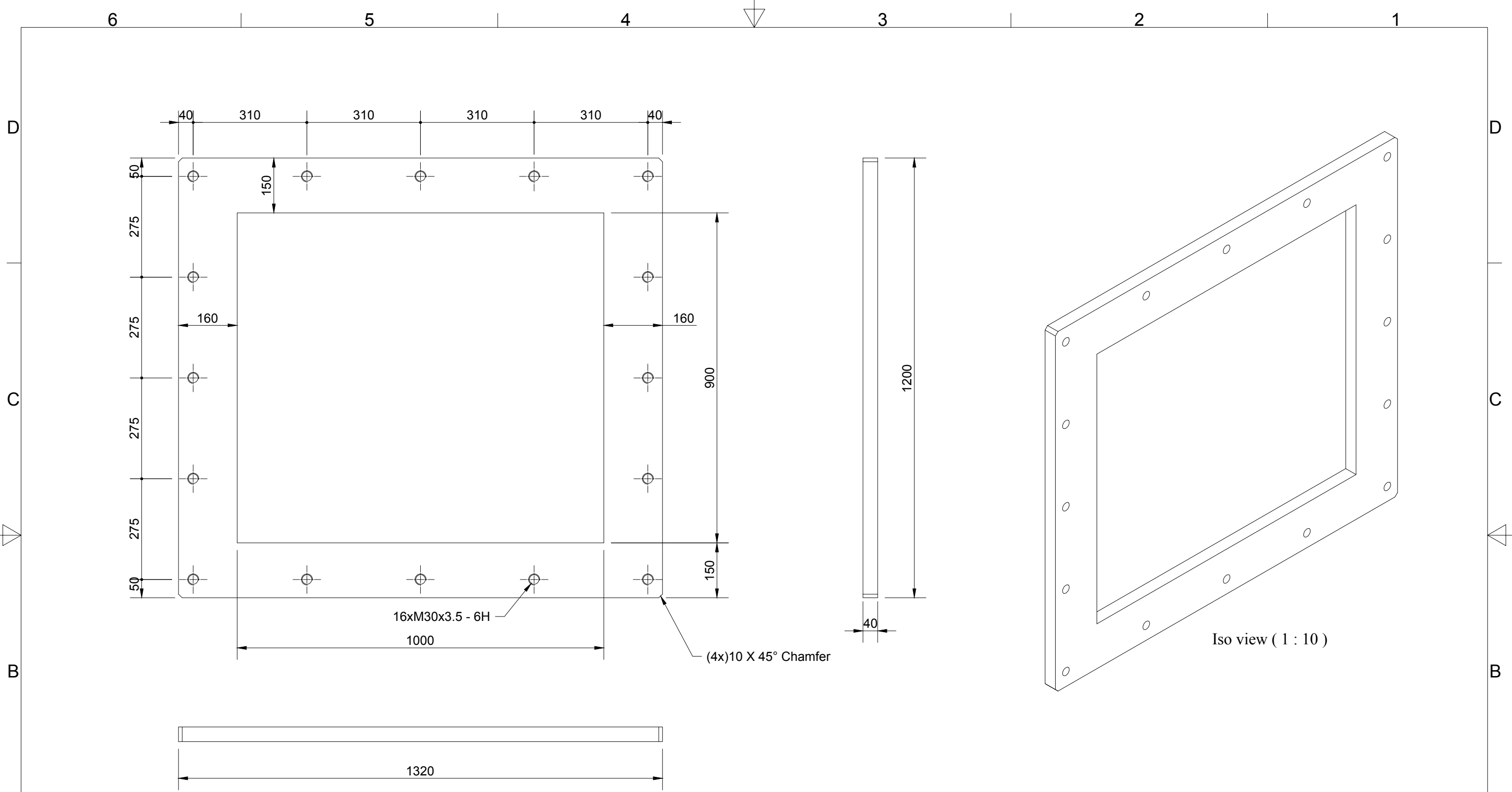
CHECKED BY : Bartosz Kozłowski DATE : 2015-03-09 DRAWING NUMBER : 11046-00 REV. : 02

APPROVED BY : Bogdan Yevchuk DATE : 2015-03-09 FILE NAME : 11046-00_only davit

CUSTOMER : SCALE : 1:75 SHEET SIZE : A3 SHEET NO. : 1/2

FORCE (kN) AND MOMENTS (kNm) ON DECK (WITHOUT SAFETY FACTOR)			
	Ax	Ay	Az
FORCE (kN) ON DECK	17.17	-46.32	-8.6
MOMENTS (kNm) ON DECK	-21.3	12.8	-114.7





This drawing is our property. It can't be reproduced or communicated without our written agreement.		PALFINGER	
WEIGHT : 212.00 kg	MATERIAL : S355J2G3	DRAWING TITLE : General Arrangement NRDS 3500H	
DRAWN BY : A Lewandowski	DATE : 2015-03-09		
CHECKED BY : Bartosz Kozłowski	DATE : 2015-03-09	DRAWING NUMBER : 11046-01-11-00	REV. : 00
APPROVED BY : Bogdan Yevchuk	DATE : 2015-03-09	FILE NAME : 11046-00_only davit	
CUSTOMER :	SCALE : 1:5	SHEET SIZE : A3	SHEET NO. : 2 / 2