

MAIN DATA:
 THE SHIP TO BE REGISTERED IN: -- XX
 CERTIFICATE: -- MED
 IMO REG. NUMBER: -- XX
 YARD/OWNER: -- xx / xx

DAVIT MAIN DATA:
 PROTOTYPE APPROVED LOAD: -- W=13000 Kg
 APPROX. TOTAL WEIGHT OF ONE SET OF
 DAVITS w/ WINCH (EXCLUSIVE LIFEBOAT) -- 3300 kg

LIFEBOAT SPECIFICATION:
 MAKER: PALFINGER MARINE SAFETY AS, Seimsfoss, Norway
 TYPE: -- LBT 850
 WEIGHT OF BOAT WITH EQUIPMENT: (WE) -- 4695 kg
 WEIGHT OF PERSONS: (80) -- 6600 kg
 TOTAL LOWERING WEIGHT: (WF) -- 11295 kg
 MAX HOISTING WEIGHT (6 pers): (WU) -- 5190 Kg
 MAIN DIMENSIONS (loa x boa x h) 8500 x 2900 x 3250mm

WINCH MAIN DATA:
 TYPE: -- W120L
 PROTOTYPE APPROVED MOMENT: -- SWL=31500 Nm
 HOISTING SPEED: -- 4,9/5,9 m/min
 WIRE ROPE CAPACITY: (Ø22) -- 2x52m

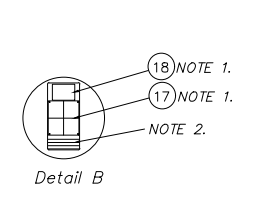
ELECTRIC MOTOR DATA:
 TYPE: -- 7BA 160 L06
 VOLTAGE: -- 380/440V
 FREQUENCY: -- 50/60Hz
 SPEED: -- 947/1140 rpm
 EFFECT: -- 12,3/14 kW

CURRENT: (IN) -- 28,8/28,3A
 CURRENT: (IS) -- 116/119A
 STARTING METHOD: -- D.O.L.
 IP: -- 56

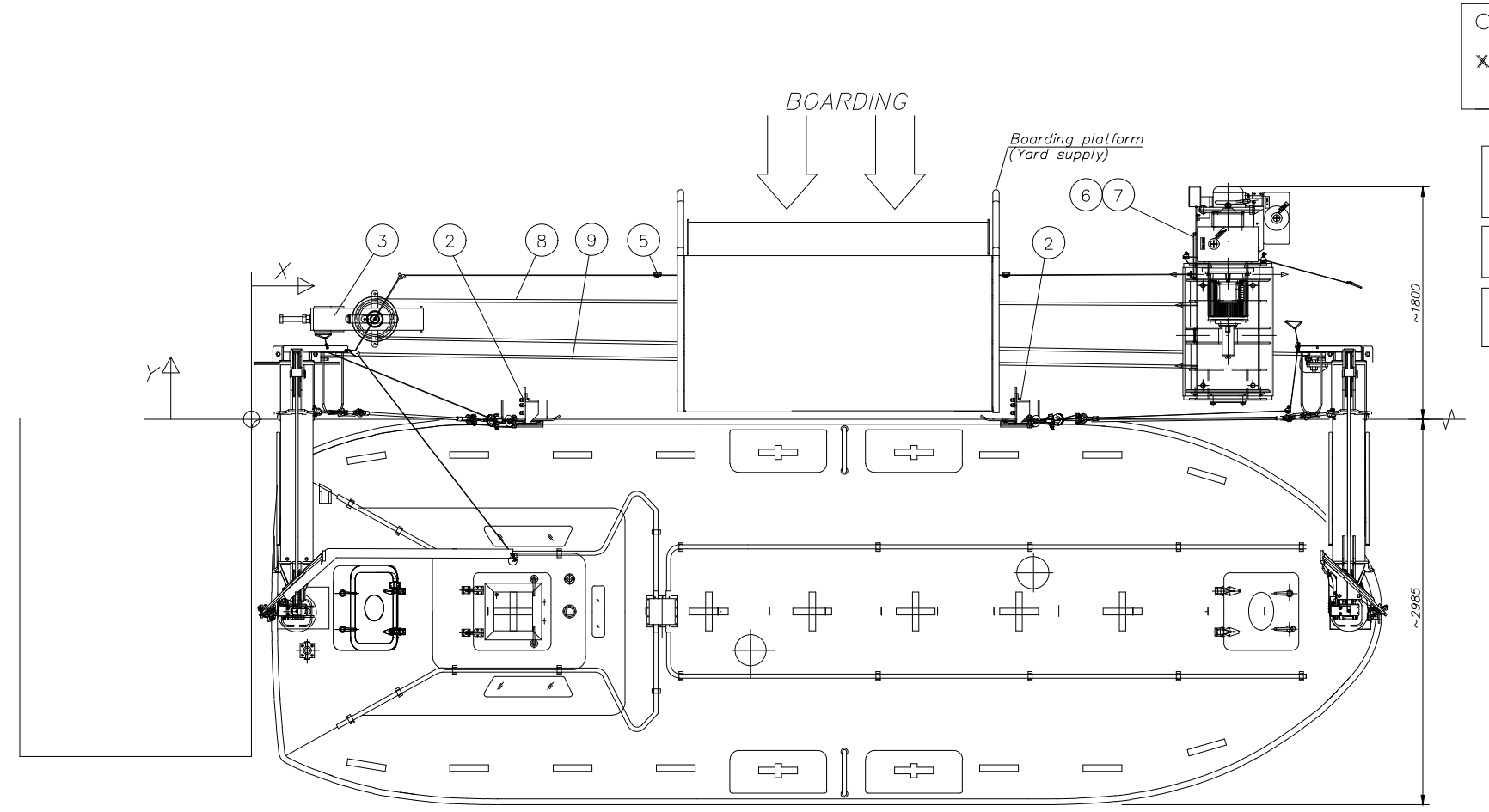
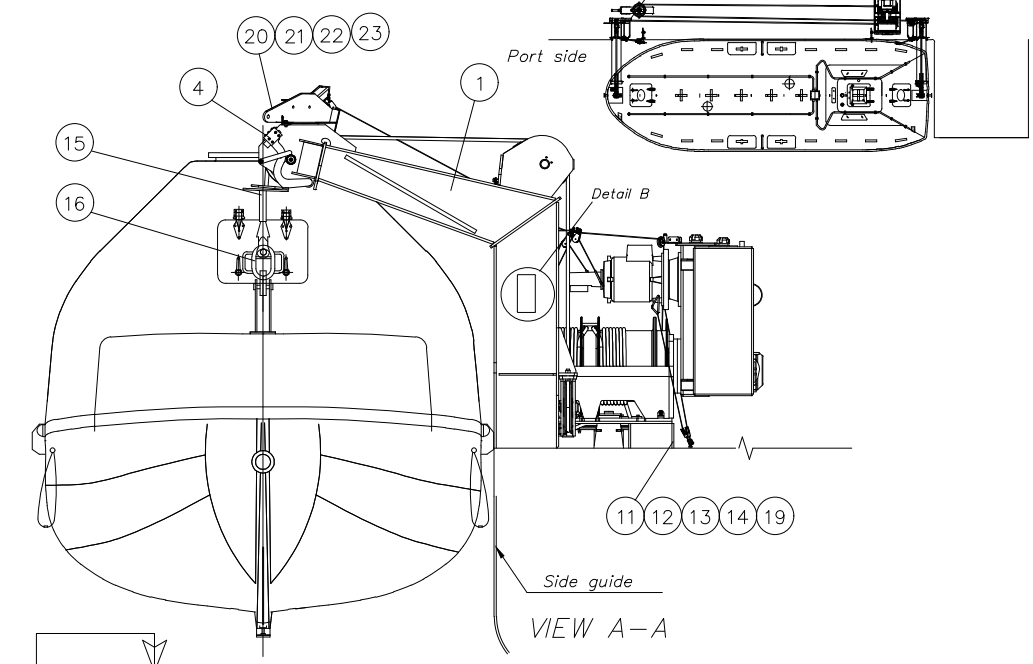
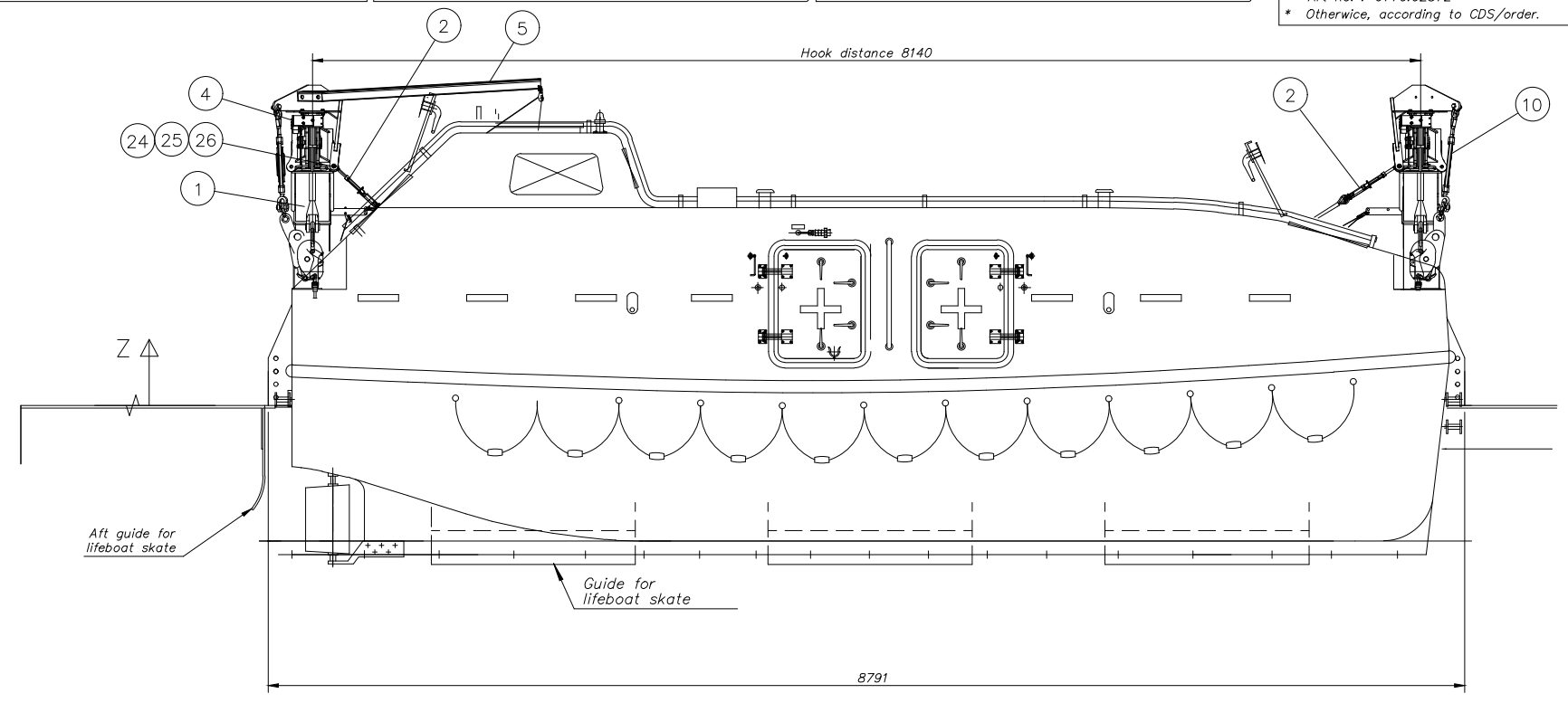
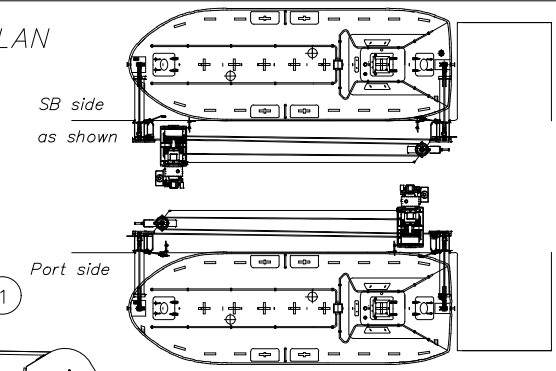
NOTE 1:
 Mounting instruction:
 Holes to be drilled ø3,2 mm 10mm deep
 in st. steel plate and to be fastened with
 4pcs ø3,2mm x 9,5mm st. less st. pop nails.

NOTE 2:
 Place for stamps and serial number.

NOTE 3:
 Item 18 ("wheelmark" plate)
 * Standard use only for MED Certification.
 Art. no.: 0770.02872
 * Otherwise, according to CDS/order.



KEY PLAN



○ = Equipment delivered with certificate.
 X = Yard supply. Not included in standard delivery from PALFINGER MARINE SAFETY AS

Note A:
 Length of fall wire:
 Fwd: 25,23 m + lowering height
 Aft: 18 m + lowering height

Note B:
 One set per project

Note C:
 See also "INTERFACE DRAWING" for
 Yard supplied backing structures.

SWL. min.KN	BL. min.KN	TL. min.KN	Item no.	Quantity	Description	Material	Art. no.	Remarks	kg.pr. unit
			26	2	Washer M16	A4		DIN125	
			25	2	Hex. nut M16	A4		DIN985	
			24	2	Hanging-off pin		N99196		
			23	8	Washer M12	A4		DIN125	
			22	4	Hex. nut M12	A4		DIN985	
			21	4	Hex. head screw M12x45	A4-80		DIN933	
			20	2	Hanging-off bracket		N75093	L+R version	
			19	8	Washer M30	Galv.		DIN125	
			18	2	PLATE: MED SIGN "wheelmark"		*	*See note 3	
			17	2	PLATE: PRODUCT SIGN DAVIT		NX3145		
○	58,9	353,4	16	2	Link WLL=6T		0740.12149	D21144	
			15	2	Distance keeper for limit switch		N85958		
			14	1	Interface drawing		N67321	Note C	
X			13	1	Winch foundation			See pos14	
			12	8	Hex nut M30	8 HDG	0230.06359	DIN934	
			11	4	Hex head screw M30x110	8.8 HDG		DIN931	
○			See detail draw.	10	(2) Hanging off arr.		N75086	Note B	
○	60,4	363	9	1	Fall wire aft 35x7 Ø22 L=Note A		N96340	W.spelter socket	
○	60,4	363	8	1	Fall wire fwd. 35x7 Ø22 L=Note A		N96340	W.spelter socket	
			7	1	El. diagram		N73333		
○			See winch doc.	6	1 Winch W120L		N65488	W/single fall	
			5	1	Remote contr. arr.		N75077		
			4	1	Limit switch arr.		N83815		
			3	1	Adjust. sheave house		N65587		
			2	1	Lashing/guiding		N67316		
○	60,4	271,5	132,8	1	2 Davit assembly		N65586		

*Each davitstand

Appr. by	AL	Date	03.03.15	Name	PK	Projection	1:25 A1
Check. by	BY	Checked	BY	Approved	AL	Scale	1:25 A1

Appr. by: AL
 Date: 03.03.15
 Name: PK
 Projection: 1:25 A1

Check. by: BY
 Checked: BY
 Approved: AL
 Scale: 1:25 A1

View updated: 29.04.15
 Item 20-28 added

Reference: Calculation

This drawing is the property of PALFINGER MARINE SAFETY AS. It may not be copied, altered or made available to others without our written permission.

PALFINGER

Replacement for: Replaced by:

FAD1000.1/W120L/LBT850
 General Arrangement
 Starboard Side

N67312 A