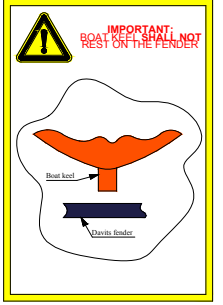
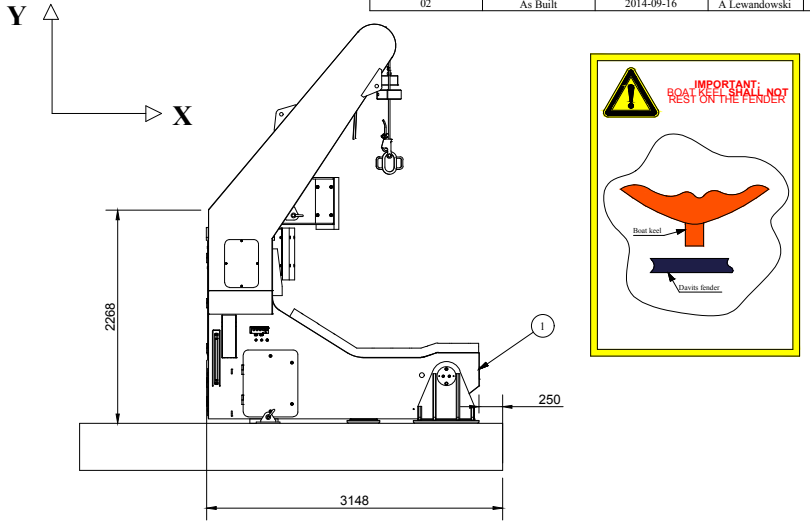
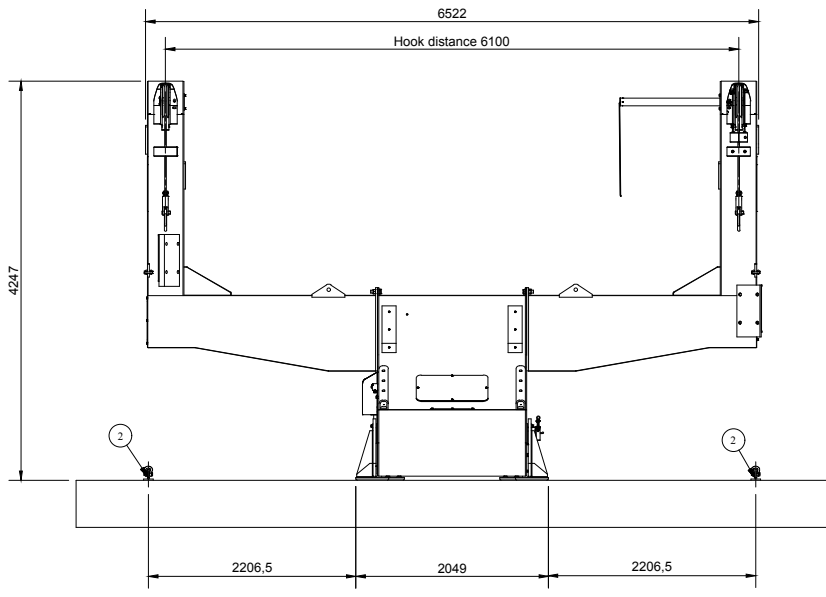
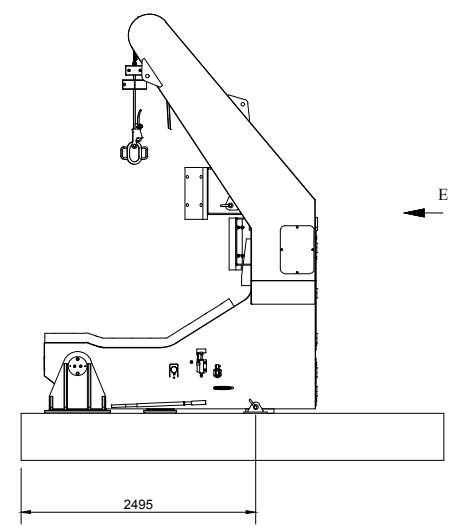
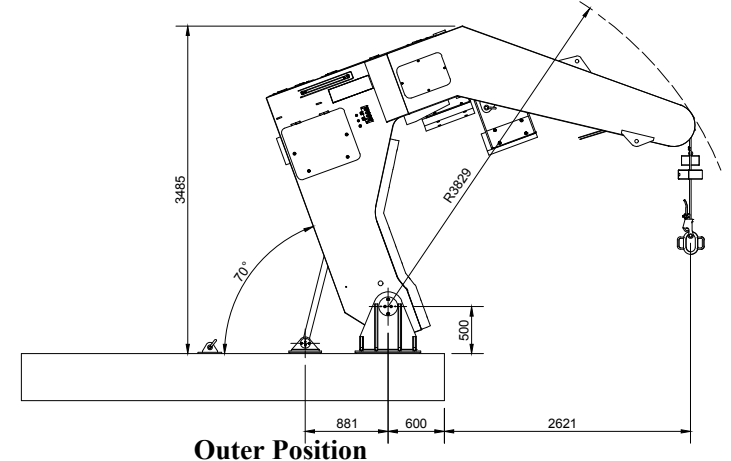
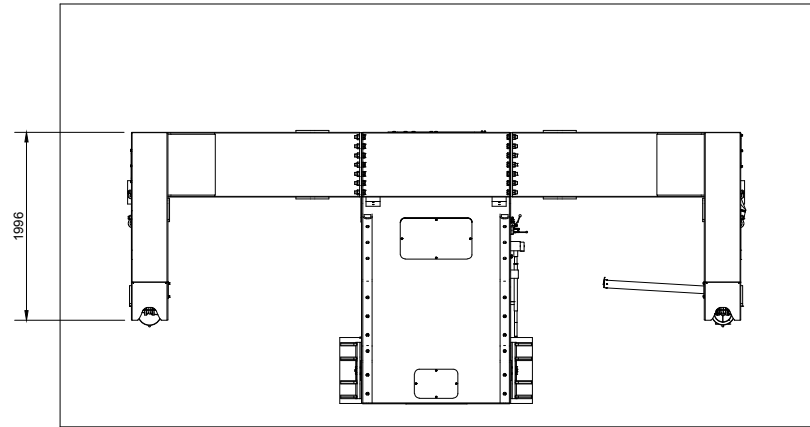


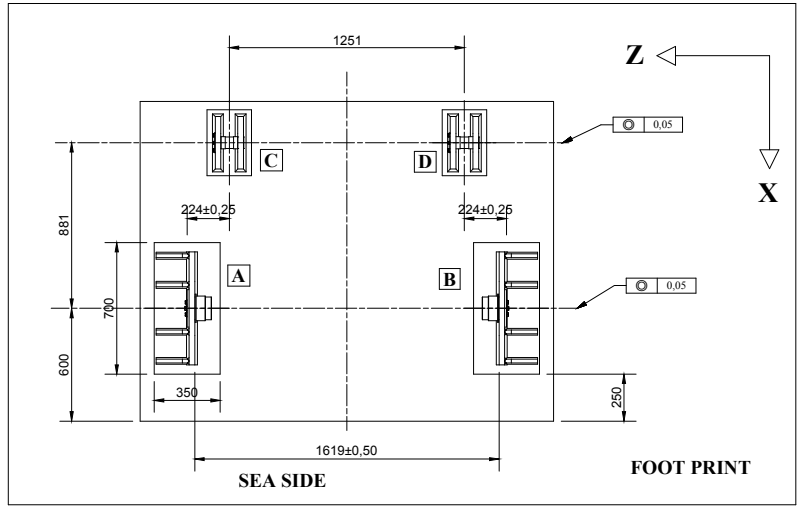
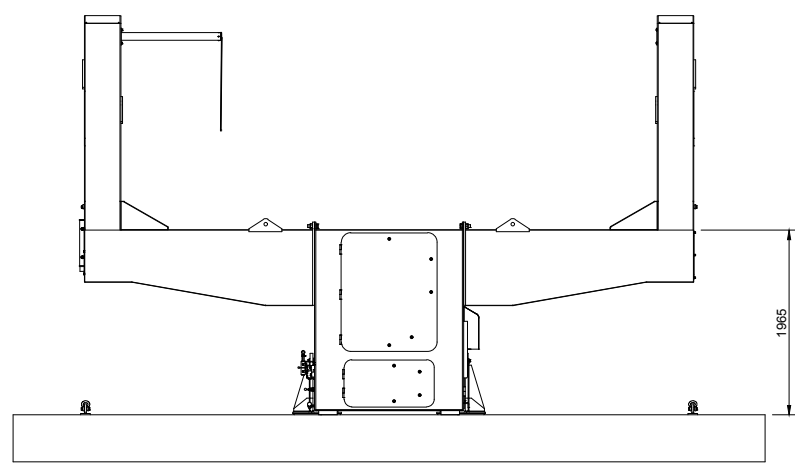
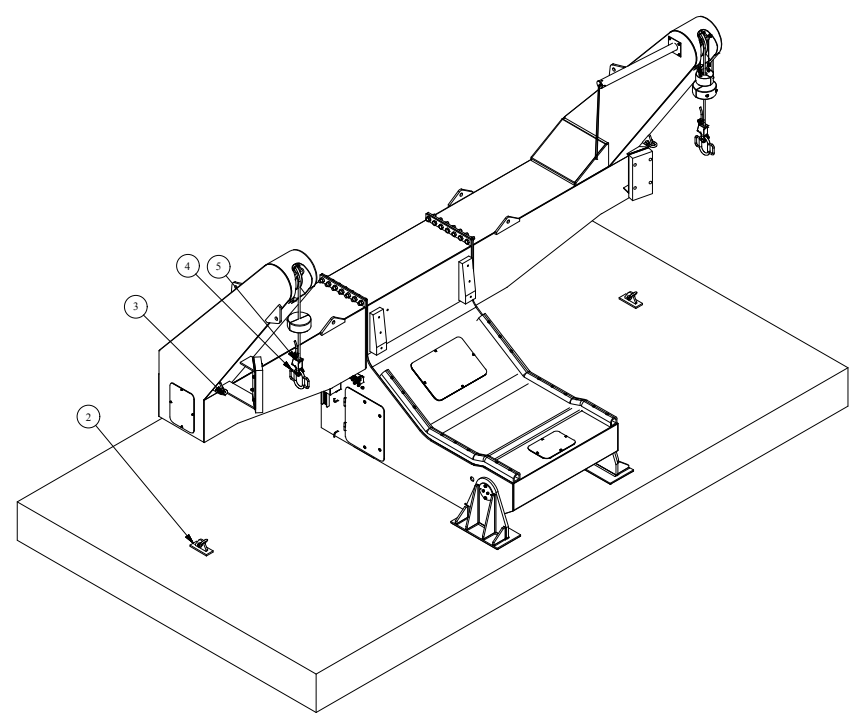
REVISION HISTORY				
REV	DESCRIPTION	DATE	AUTHOR	APPROVED
00	Issued for control	19.02.2010		
01	New outboard version	04.03.2010	Alf Eidsvik	Alf Eidsvik
01a	Plate added	26.11.2012	Sorin V. Bodan	Alf Eidsvik
02	As Built	2014-09-16	A Lewandowski	Bogdan Yevchuk



NPD 6000H	
SWL :	6000 kg
Hoisting speed :	5 m/min / 18 m/min (rescue version)
Dead ship lowering speed :	S=0.4+(0.02H)
Design spec. :	10 deg. trim, 20 deg. list simultaneously
Winch type :	NW 7700H
Shock Absorber :	NA
Wave compensation :	NA
Operation :	Remote control



STATIC FORCE ON DECK (kN) (WITHOUT SAFETY FACTOR)												
	Ax	Ay	Az	Bx	By	Bz	Cx	Cy	Cz	Dx	Dy	Dz
Davit inboard -20° roll / 10deg trim	-133	59	±33	-151	-9	±33	77	-61	±13	157	-122	±13
Davit outboard +20° roll / 10deg trim	11	-269	±39	-73	-303	±39	64	252	±13	48	186	±13



REV	ITEM	QTY	PART NUMBER	DESCRIPTION	MATERIAL	MASS	SHEET NO.
1	6	2		Lashing			
1	5	2		Wedge socket			
1	4	2		MOB ring			
1	3	2		Shackle			
1	2	2		Lashing eye			
1	1	1		Lashing eye			
01			I-1068-200	LBT 650			
02			I-1068-200	LBT 650			
				NPD 6000H Assembly			

This drawing is our property. It can't be reproduced or communicated without our written agreement.		PALFINGER	
WEIGHT : N/A	MATERIAL :	DRAWING TITLE : NPD 6000H for LBT 650	
DRAWN BY : A Lewandowski	DATE : 16.09.2014	NPD 6000	
CHECKED BY : Bartosz Kozłowski	DATE : 16.09.2014	DRAWING NUMBER : I-1068-000_LBT 650	REV. : 02
APPROVED BY : Bogdan Yevchuk	DATE : 16.09.2014	FILE NAME : I-1068-000_davit only for LBT 650	
CUSTOMER :	SCALE : 1:40	SHEET SIZE : A1	SHEET NO. : 1