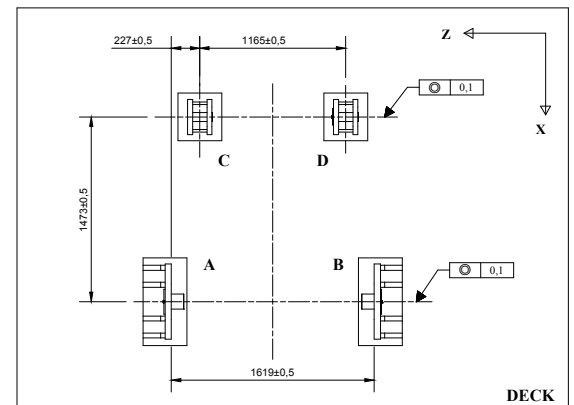
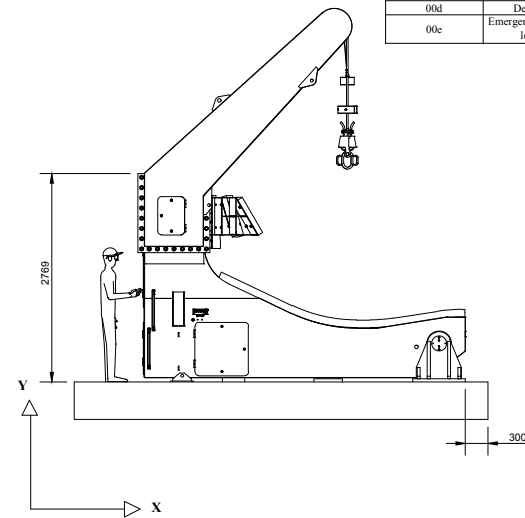
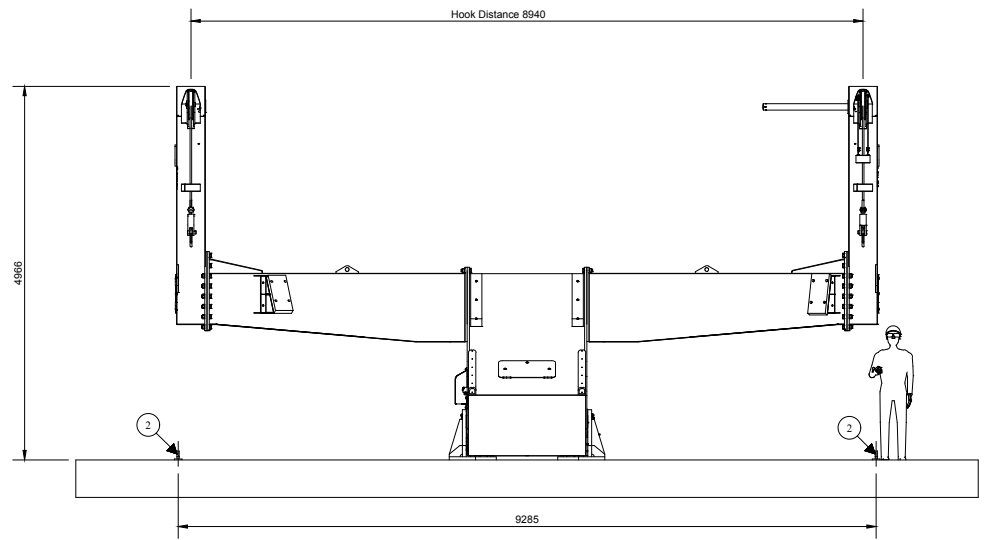
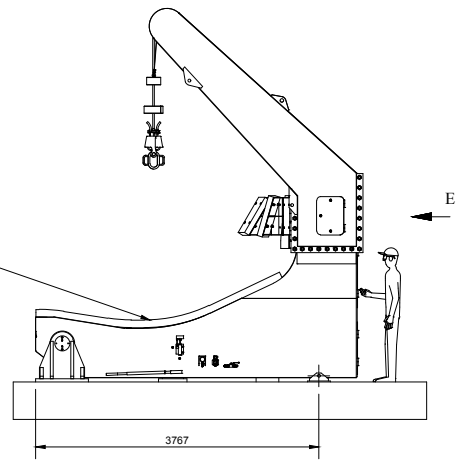
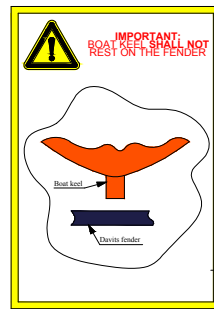
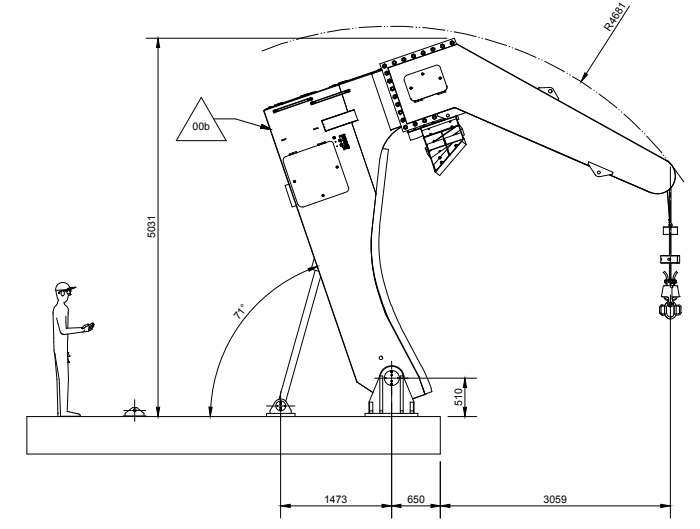
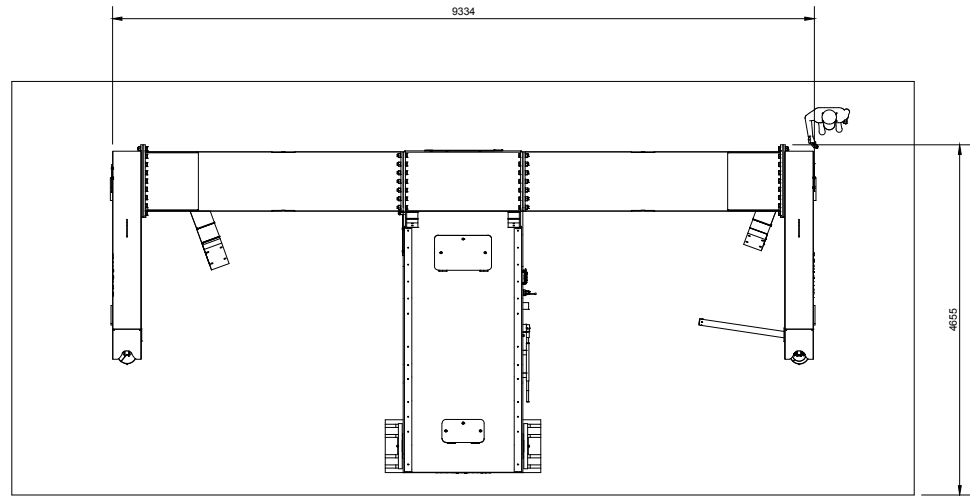


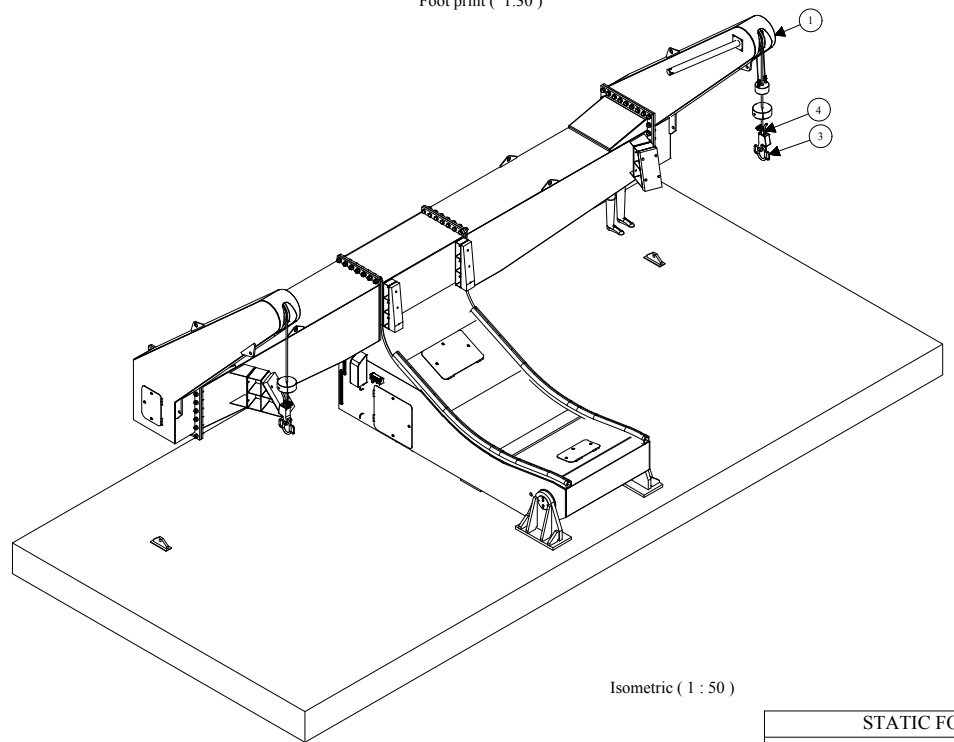
REVISION HISTORY			
REV	DESCRIPTION	DATE	APPROVED
00	Issued for control	13/02/2012	
00a	New plates added	12/06/2012	
00b	Reinforcements added	04.10.2012	
00c	Added weldment symbols	09/10/2012	
00d	Deck force table	24/06/2013	
00e	Emergency manual valves, logo changed	11/01/2014	Alf Eidsvik



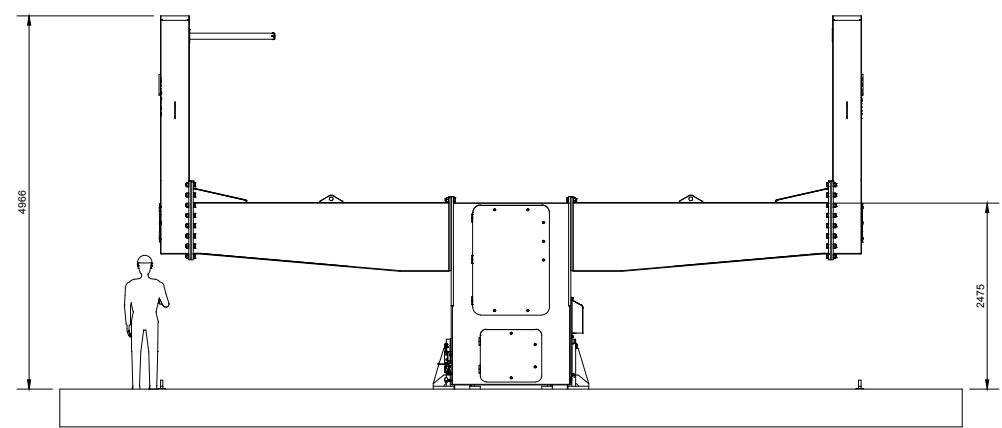
SEA SIDE
Foot print (1:30)



Outer Position (1 : 50)



Isometric (1 : 50)



E (1 : 50)

NPD 14800H

SWL :	14800 kg (or specified)
Hoisting speed :	5 m/min (or specified)
Dead ship lowering speed :	S=0.4+(0.02H)
Design spec. :	10 deg. heel, 20 deg trim list simultaneously
Winch type :	NW 14800H
Operation :	Remote control

STATIC FORCE ON DECK (kN) (WITHOUT SAFETY FACTOR)												
	Ax	Ay	Az	Bx	By	Bz	Cx	Cy	Cz	Dx	Dy	Dz
Davit outboard +20' roll / 10deg trim	12	-346.5	-15.7	-81	-411.1	-26.1	89.5	312.8	-0.5	63.1	218.7	-0.3
Davit inboard -20' roll / 10 deg trim	-308.4	-93.4	-12.3	-300.2	-8.1	-28.5	208.2	-124	-0.8	316.9	-186.7	-0.8

STATIC MOMENT ON DECK (kNm) (WITHOUT SAFETY FACTOR)												
	Ax	Ay	Az	Bx	By	Bz	Cx	Cy	Cz	Dx	Dy	Dz
Davit outboard +20' roll / 10deg trim	-24.7	-1.3	-5.9	10.2	-2.5	41.5	-0.4	0.2	-12.6	-0.2	0.1	-8.8
Davit inboard -20' roll / 10 deg trim	-1.7	19.4	157	-12.8	-16.9	152.8	-1	-0.6	-29.2	-0.9	-0.4	-44.4

REV	ITEM	QTY	PART NUMBER	DESCRIPTION	MATERIAL	MASS
4	2		Wedge socket			
3	2		Pin			
00d	1	1	12014-01-00	Washing Hinge		
00d	1	1	12014-01-00	NPD 14800H		

This drawing is our property. It can't be reproduced or communicated without our written agreement.

PALFINGER

WEIGHT :	N/A	MATERIAL :		DRAWING TITLE :	General Arrangement
DRAWN BY :	Jorge Alvarez	DATE :	04.10.2012	DRAWING NUMBER :	NPD 14800H
CHECKED BY :		DATE :		FILE NAME :	12014-00_Only_davit
APPROVED BY :		DATE :		SHEET SIZE :	A1
CUSTOMER :		SCALE :	1:50	SHEET NO. :	1