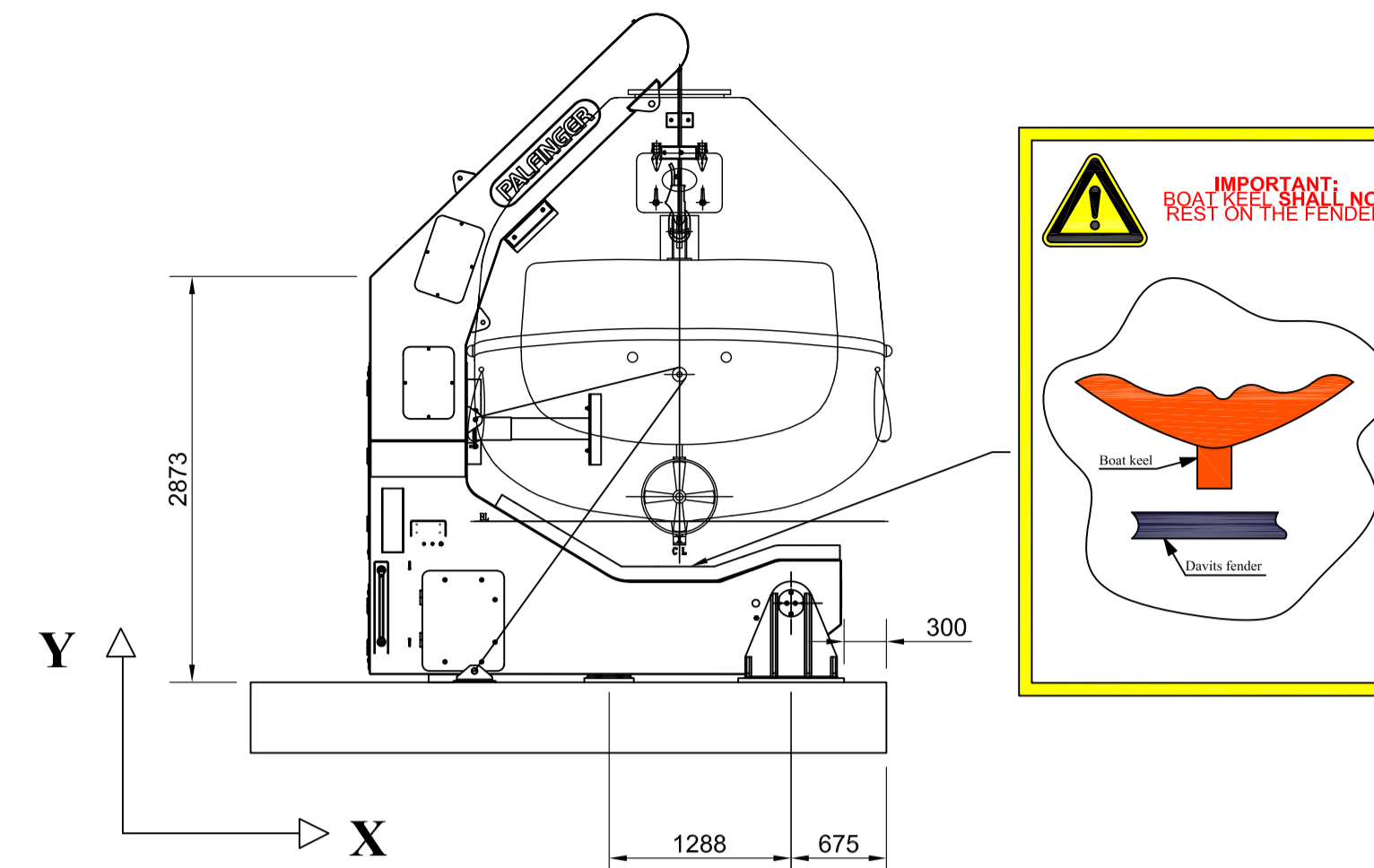
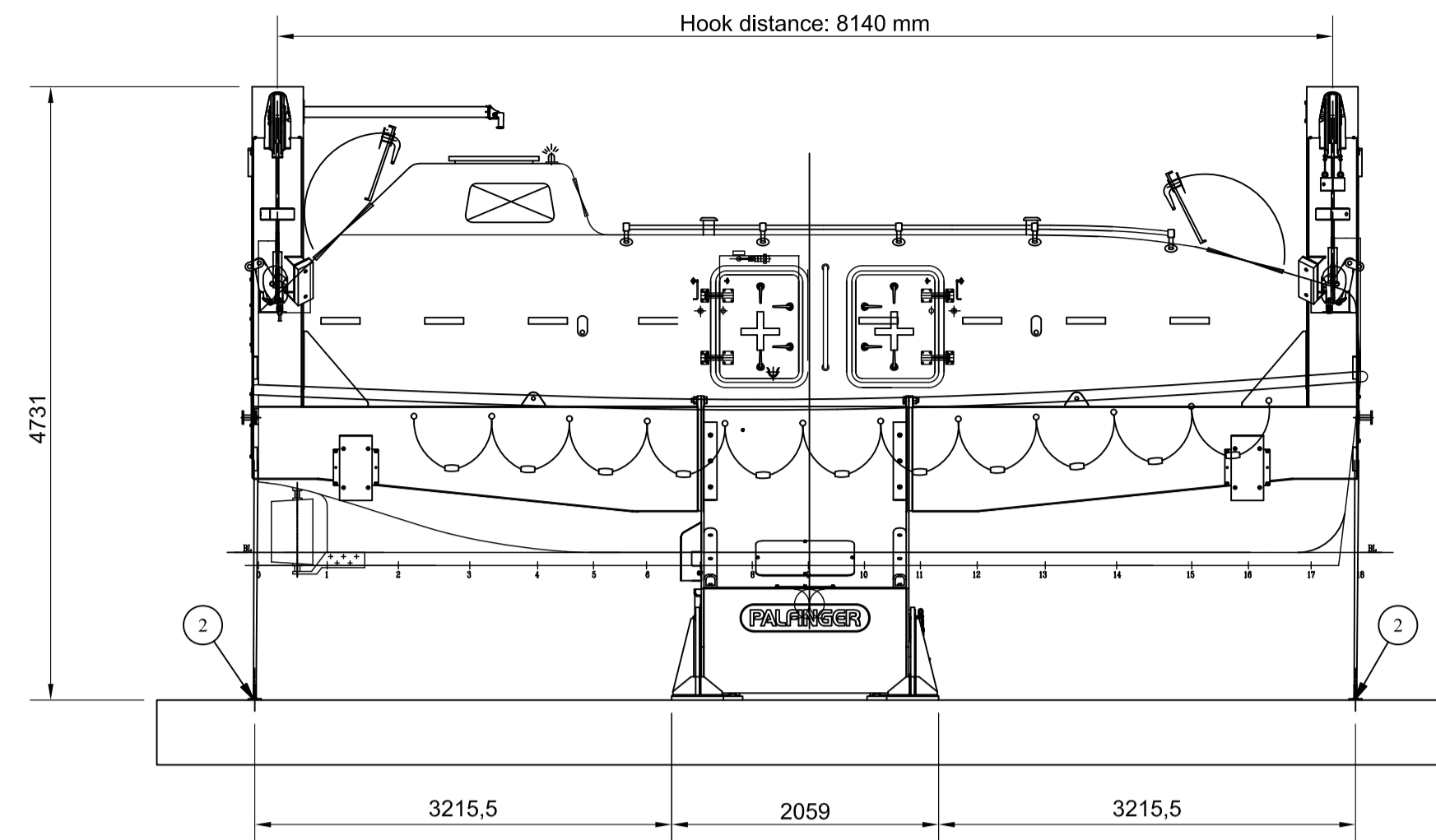
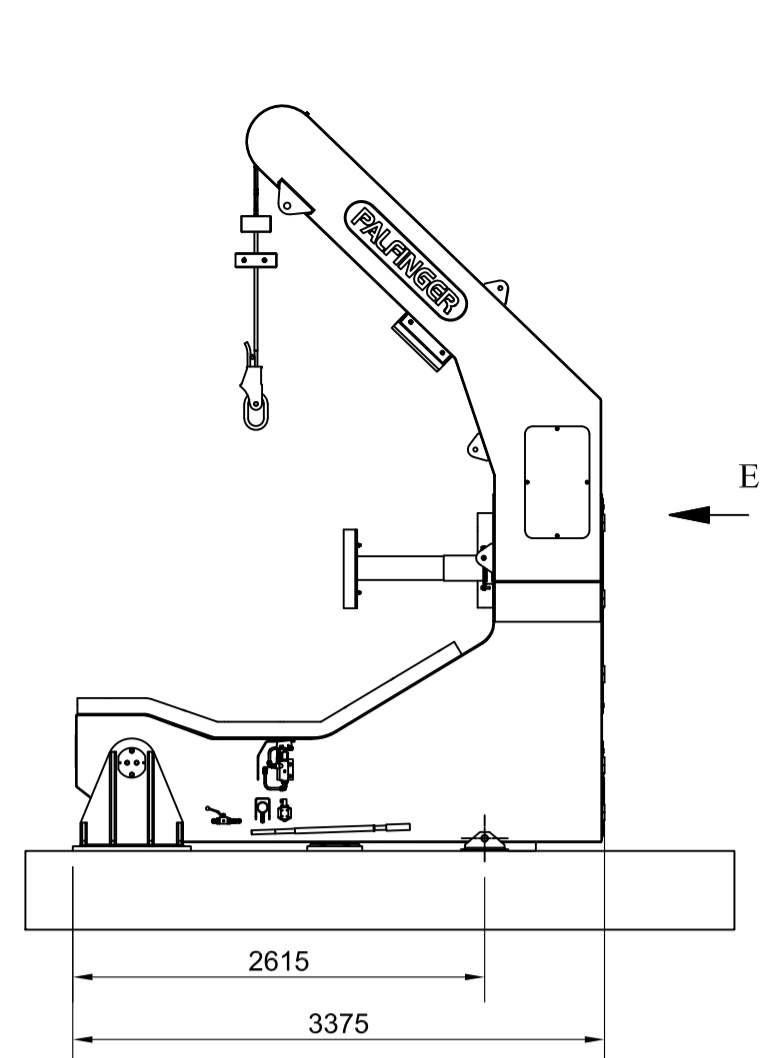
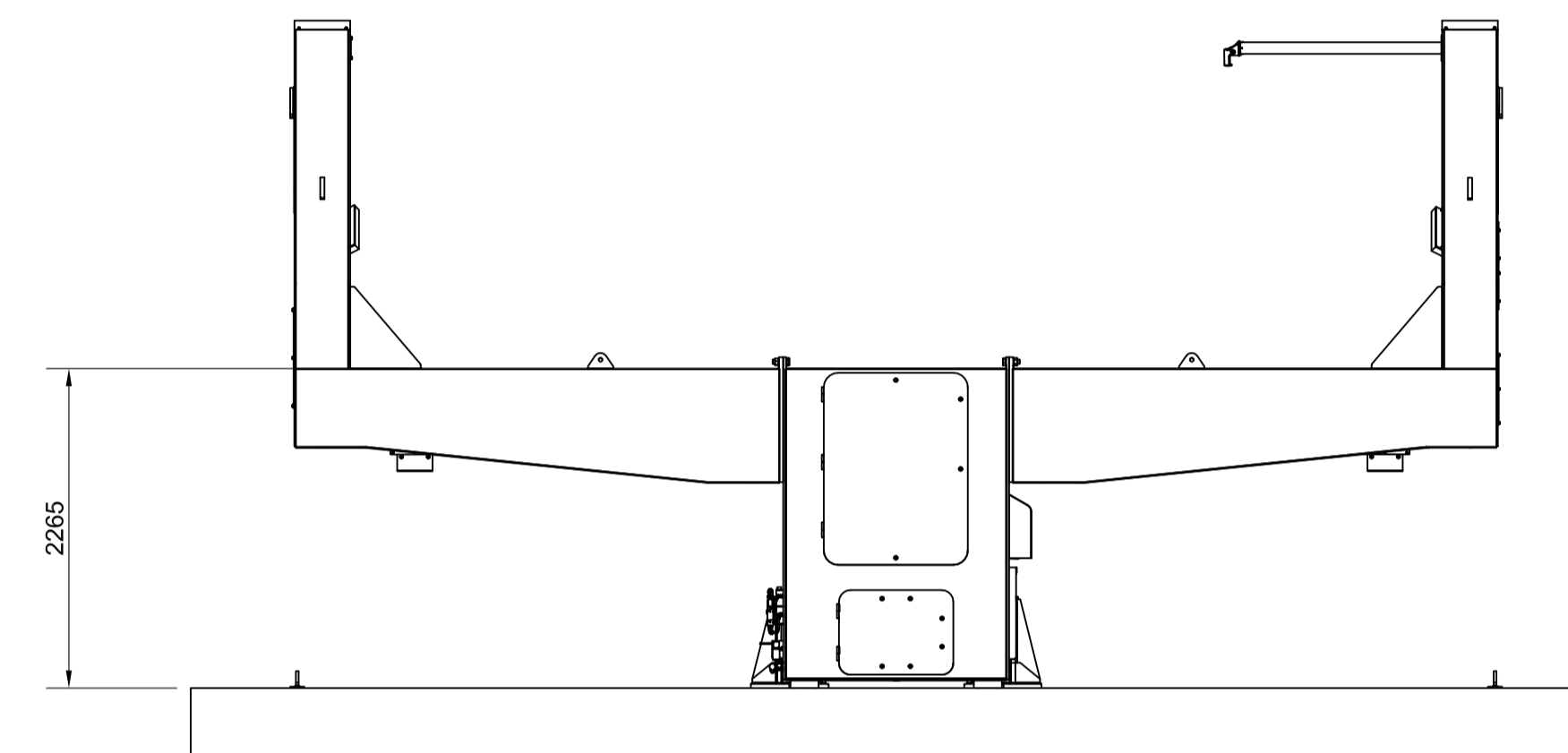
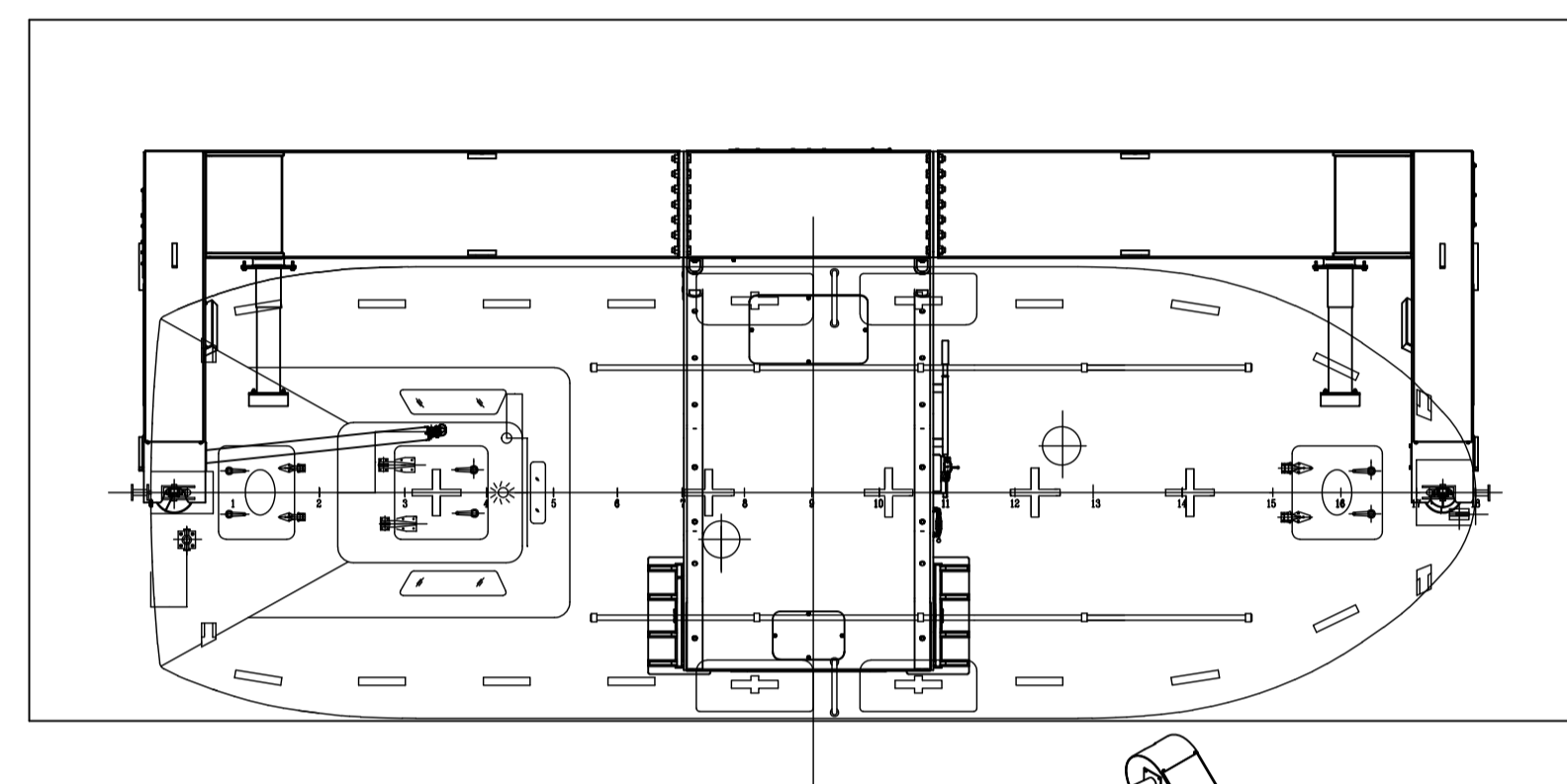


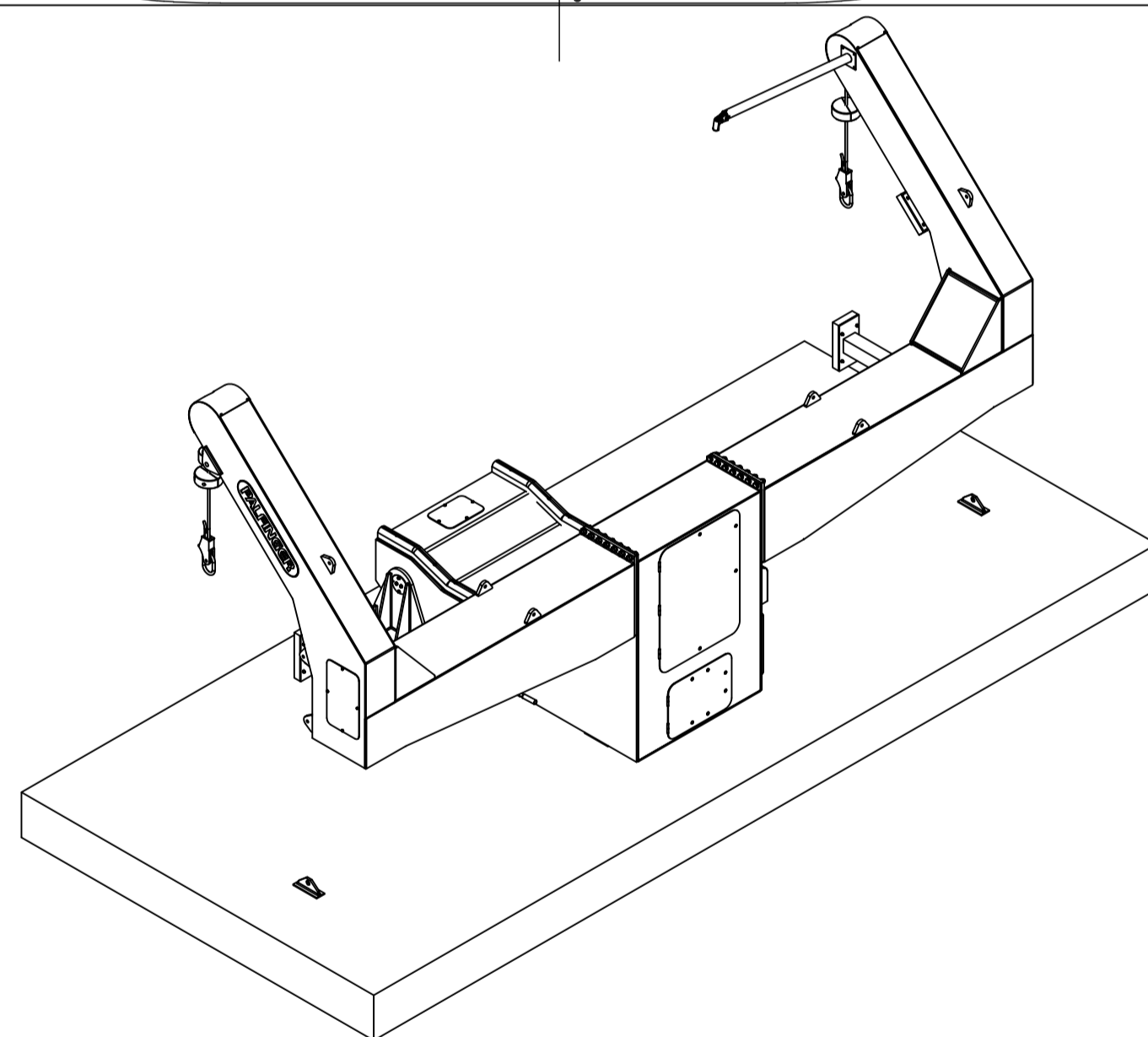
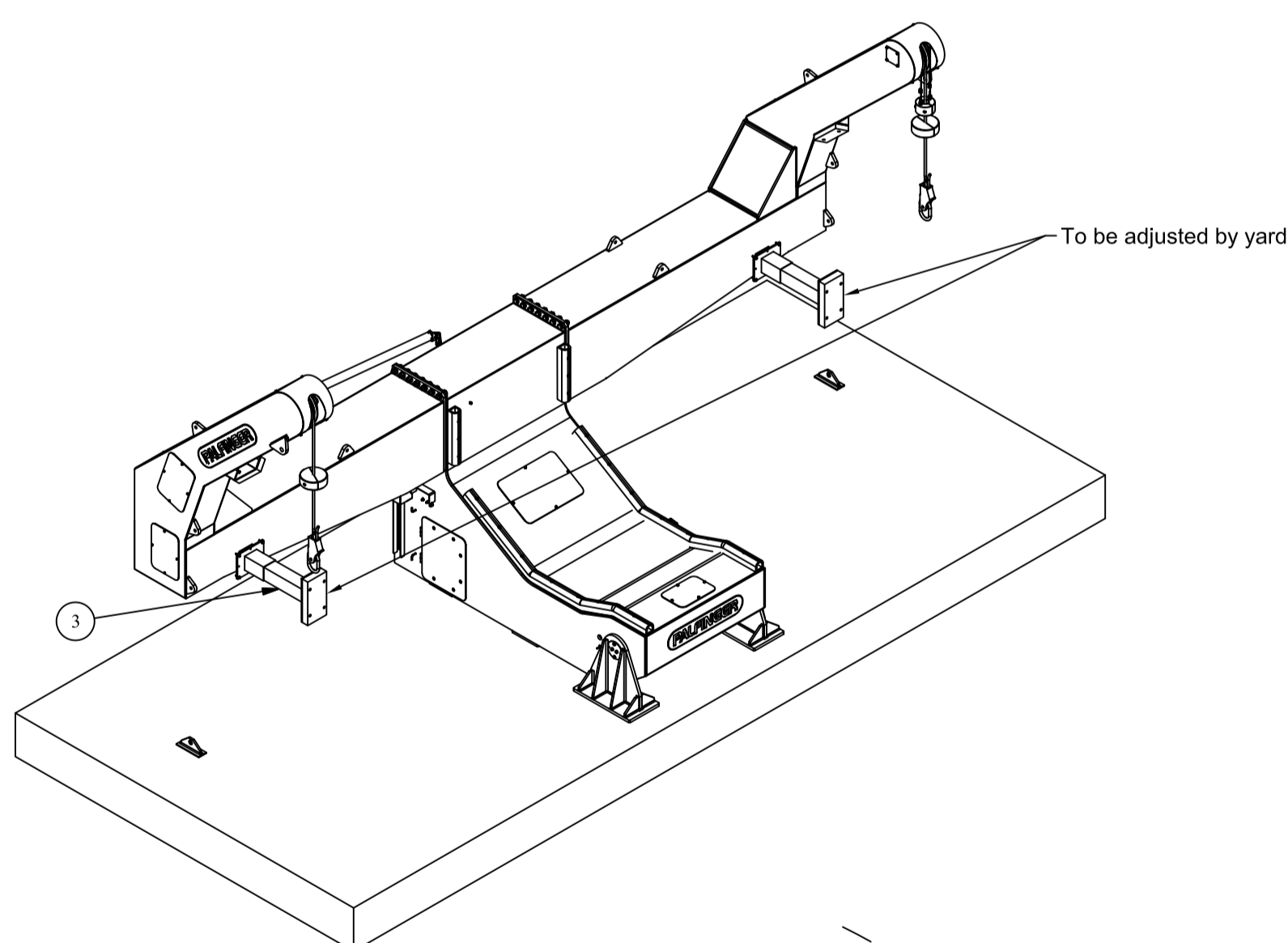
REVISION HISTORY					
REV	DESCRIPTION	DATE	AUTHOR	CHECKED BY	APPROVED BY
06b	Logo changed, new drawing created	2017-02-21	JSP	MIWA	BY



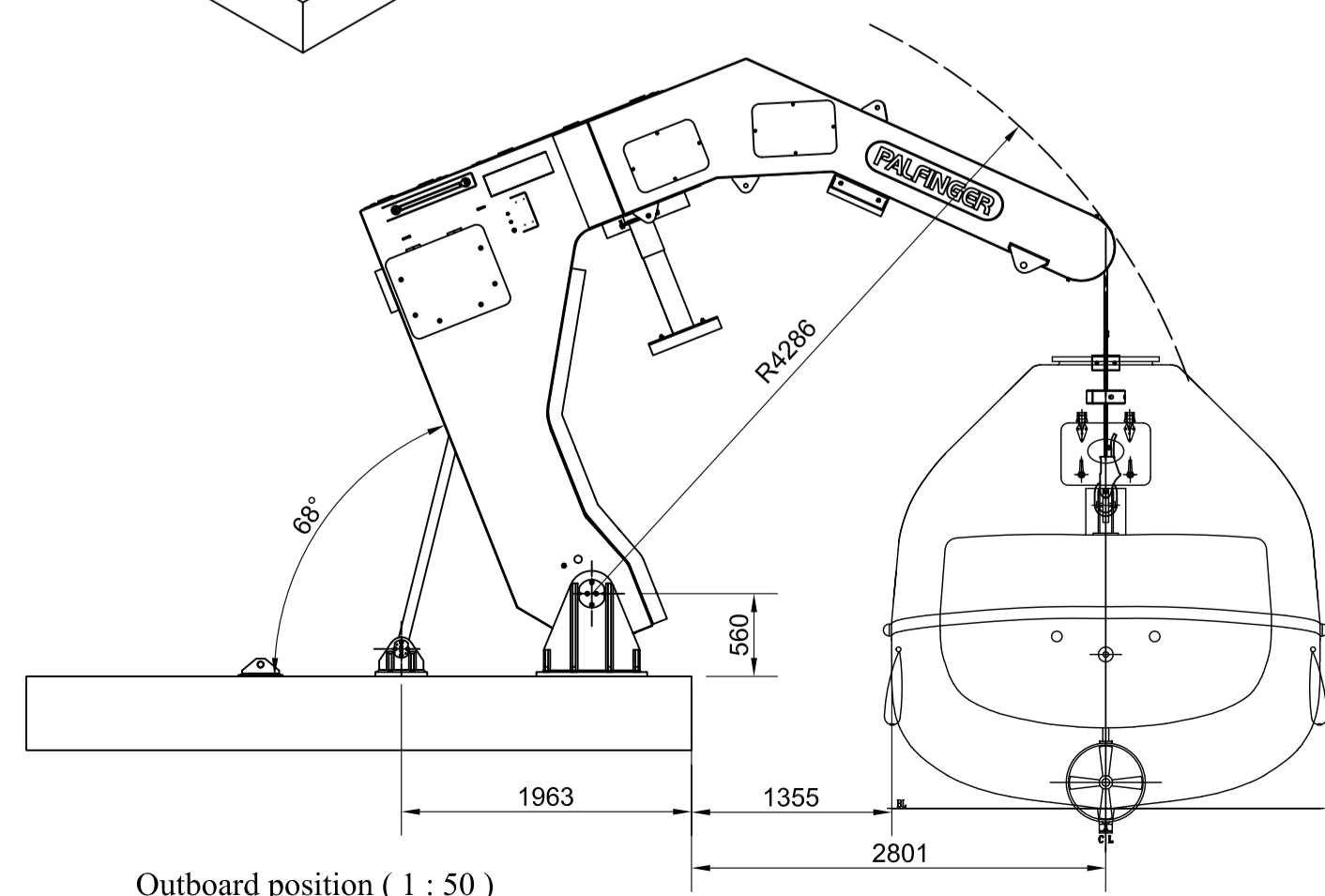
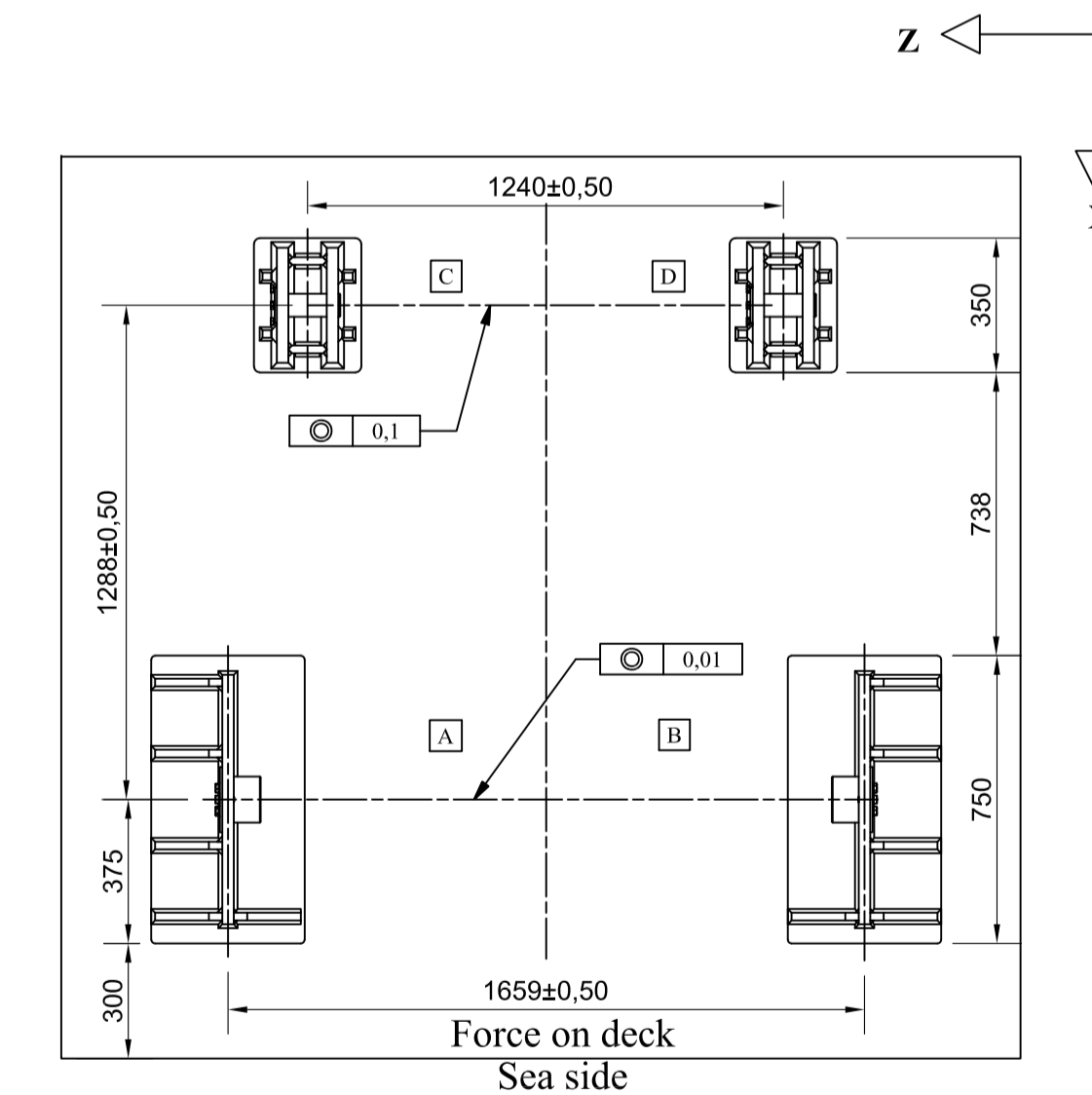
NPD 11300H	
SWL :	11300 kg
Hoisting speed :	5 m/min / 18 m/min (rescue version)
Dead ship lowering speed :	S=0.4+(0.02H)
Design spec. :	10 deg. trim, 20 deg. list simultaneously
Winch type :	NW 11300H
Operation :	Remote control



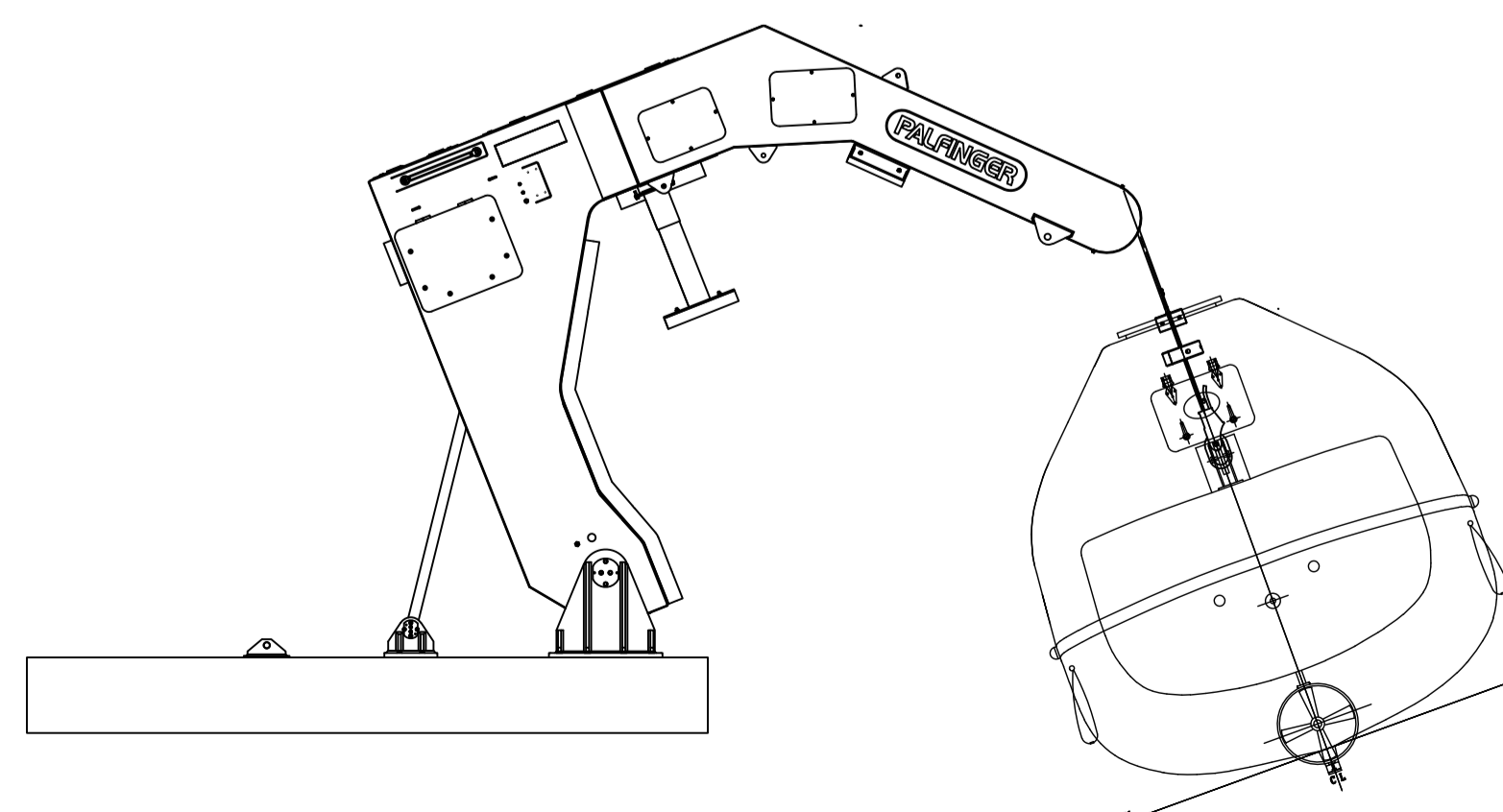
E (1:50)



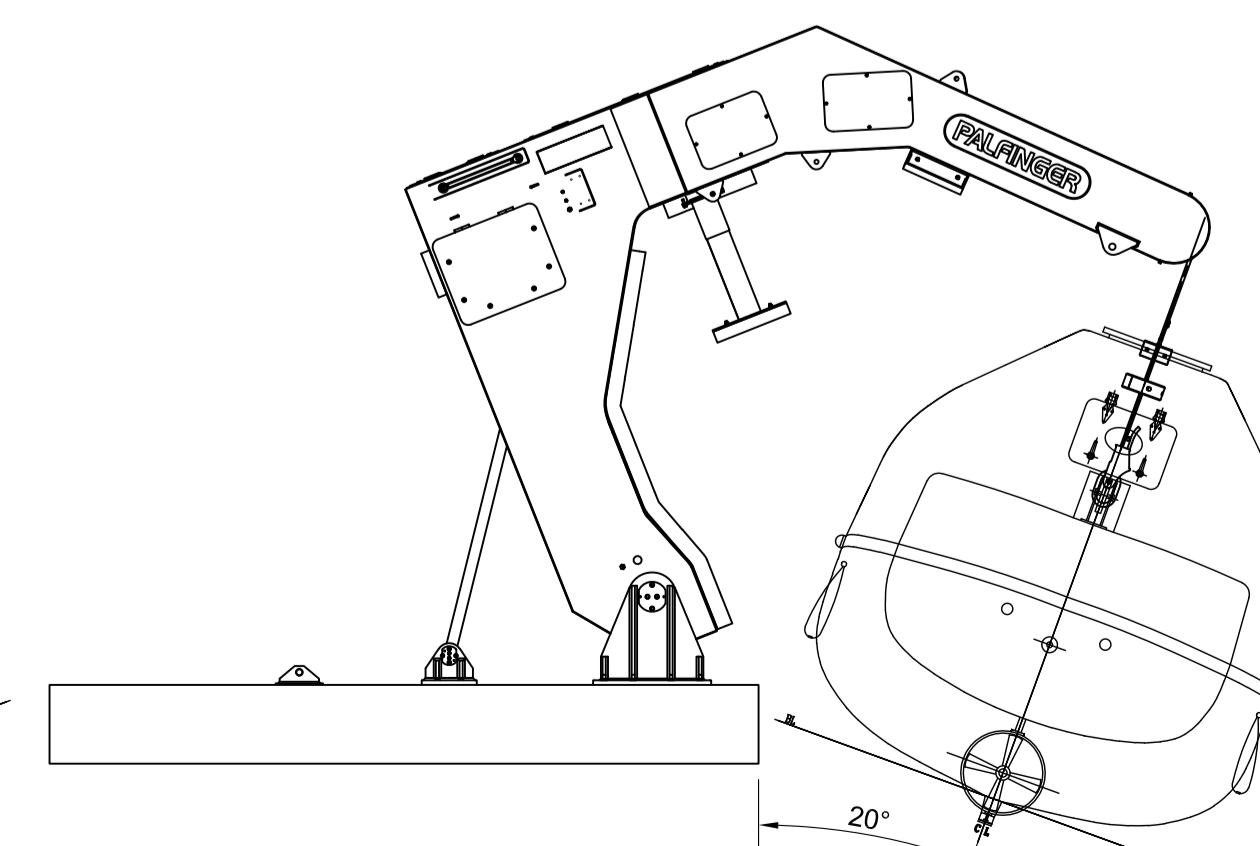
FORCE (kN) AND MOMENTS (kNm) ON DECK (WITHOUT SAFETY FACTOR)												
Davit outboard 20° roll / 10 deg trim												
	Ax	Ay	Az	Bx	By	Bz	Cx	Cy	Cz	Dx	Dy	Dz
FORCE (kN) ON DECK	15.1	-269	-3	-56.7	-319.4	-28.4	59.2	237.2	-0.3	45.3	181.4	-0.2
MOMENTS (kNm) ON DECK	-7.2	-0.5	-8.3	-7.5	-0.3	32	-0.2	0.1	-11	-0.1	0.1	-8.4
Davit inboard -20° roll / 10 deg trim												
FORCE (kN) ON DECK	-197.9	62.9	-9.5	-201.4	-13.6	-21.4	131.8	-86.4	-0.7	204.6	-132.7	-0.4
MOMENTS (kNm) ON DECK	-3.8	4.8	110.6	-11.1	-4.1	112.6	-0.7	-0.3	-24.5	-0.1	-0.1	-38



Outboard position (1:50)



Outboard position (+20 degree roll) (1:50)



Outboard position (-20 degree roll) (1:50)

REV	ITEM	QTY	PART NUMBER	STOCK NUMBER	DESCRIPTION	MATERIAL	MASS
A	3	2	NS0221	NS0221	Adjustable boat support	Assembly	85.348 kg
06b	1	1	I-1055-2004	I-1055-2004	Lashing bracket	Assembly	8.50 kg
06b	1	1	I-1055-2004	I-1055-2004	NPD 11300H for LBT 850 Starboard	Assembly	

This drawing is the property of PALFINGER MARINE SAFETY AS. It shall not be copied, altered or made available to others without our written permission.

Date	2016-01-20	Drawn by	JSP	Projection	ISO 5456:2.5.1	Scale	1:50	Size	A1
Checked by	BK	Approved by	BY	Replacement for : Replaced by :					

General Arrangement

Drw no.: I-1055-004
Drw rev.: 06b

Reference: File: I-1055-0004.lam/06b Calculation: Project no.: Sheet: 1 / 1