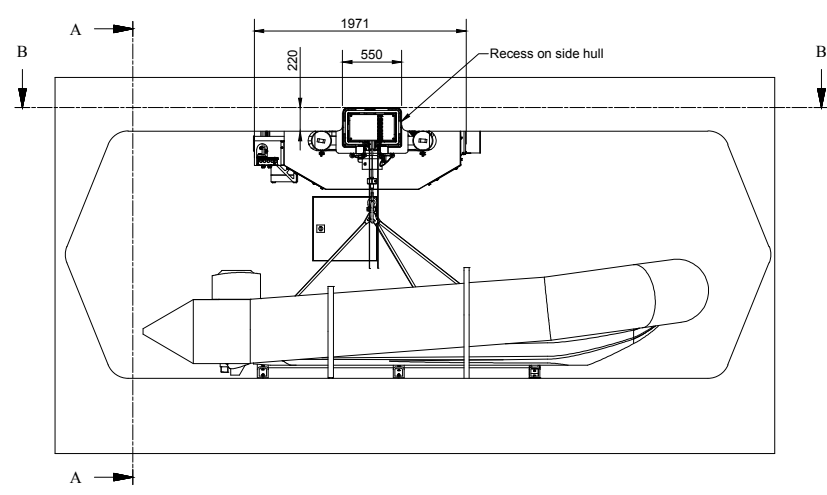
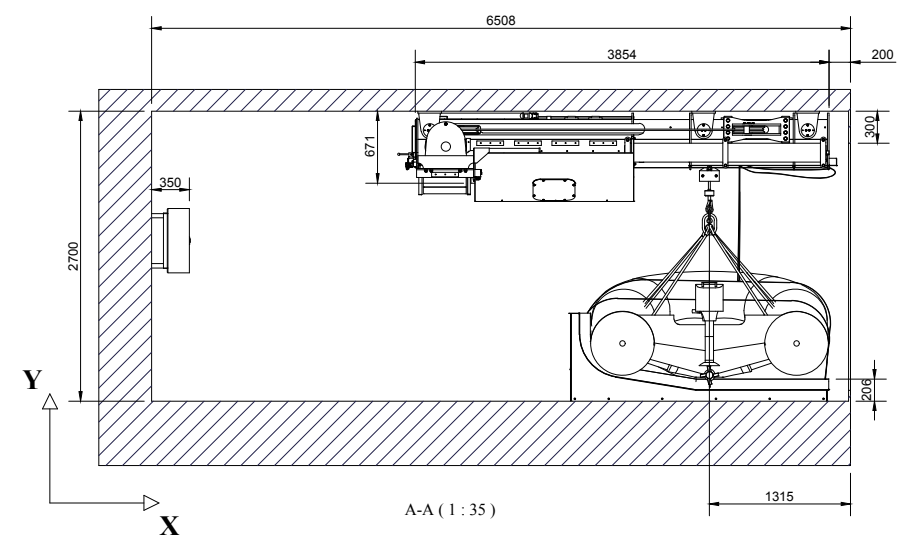


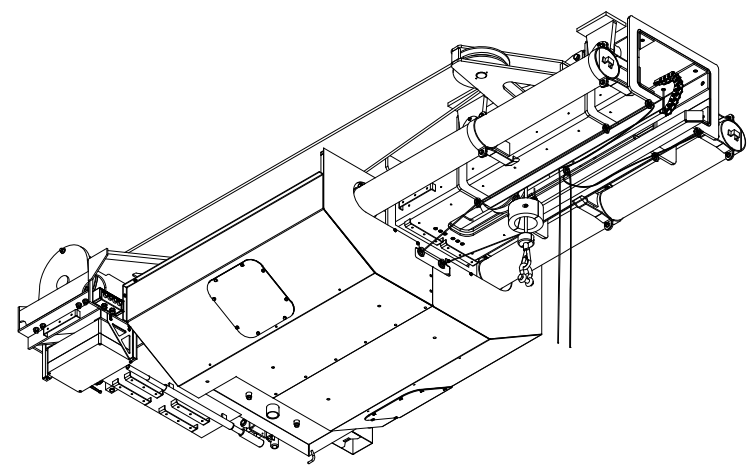
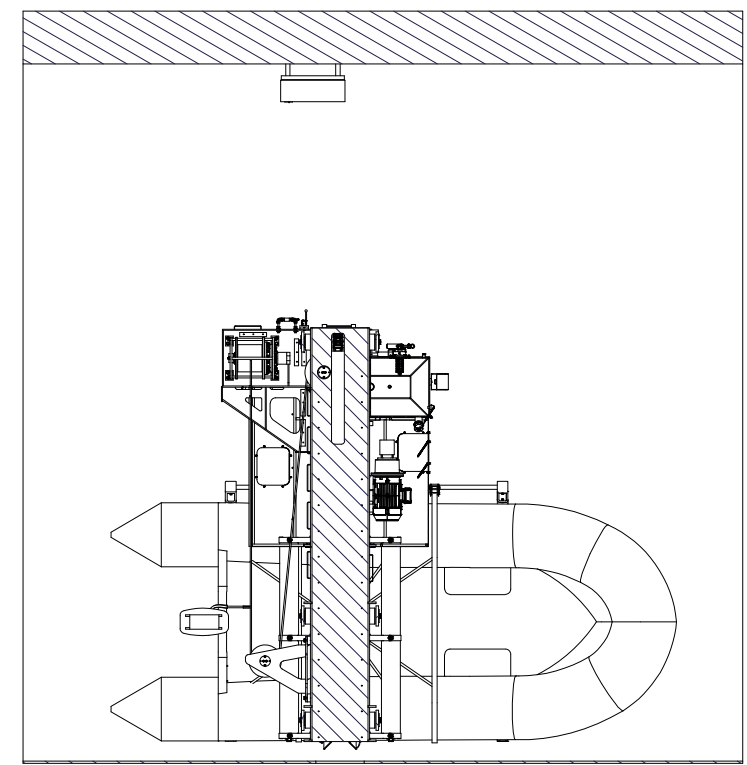
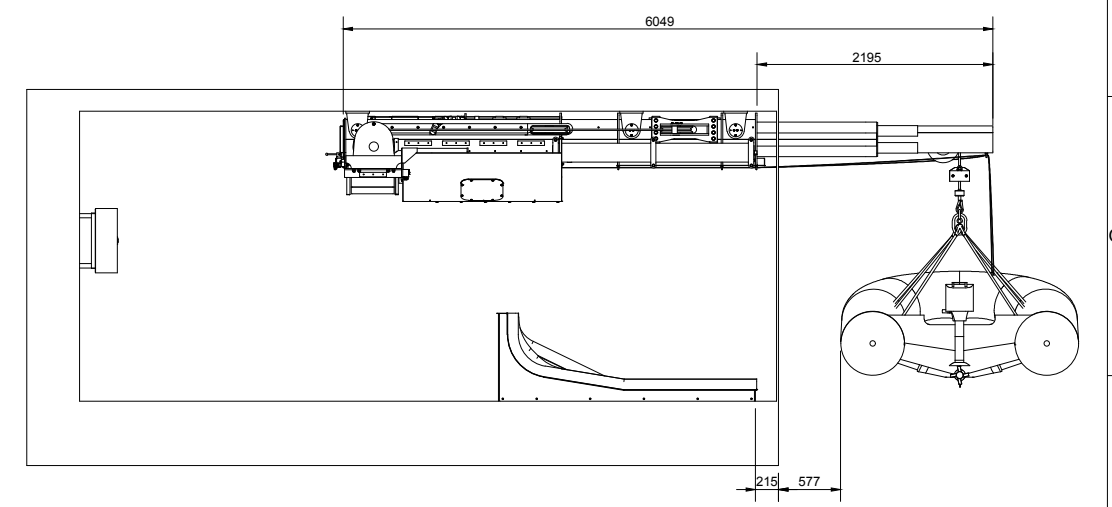
REVISION HISTORY			
REV	DESCRIPTION	DATE	APPROVED
00	Issued for control	12/04/2013	Oguz Tveit
00a	Emergency manual valves, logo changed	13/06/2014	AH Eidsvik
00b	As Built	13/10/2014	Bogdan Yevchuk
00c	As Built	03/02/2014	Bogdan Yevchuk



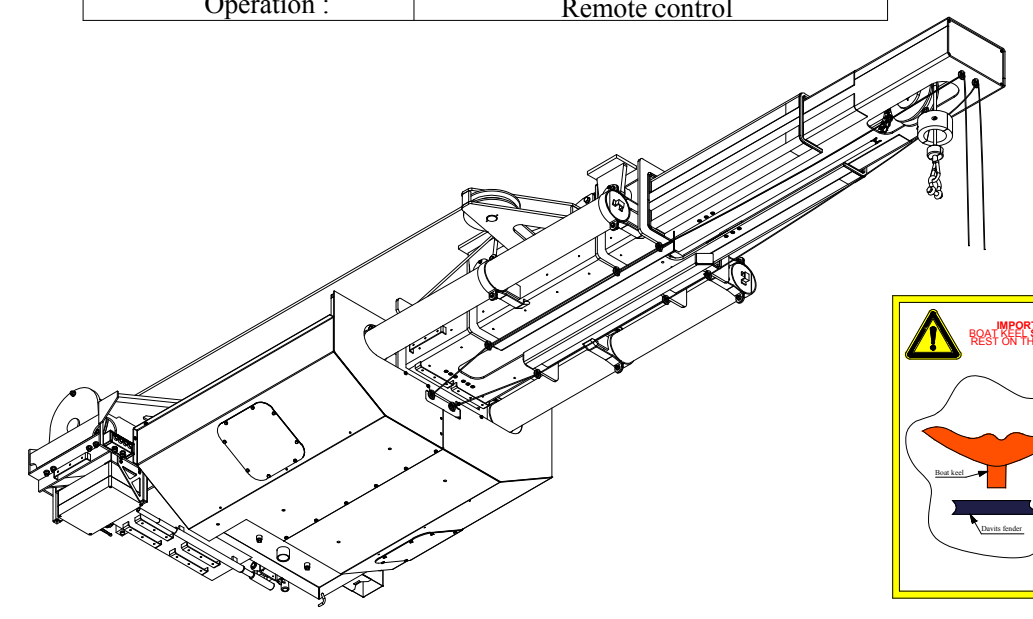
B-B (1:35)



A-A (1:35)

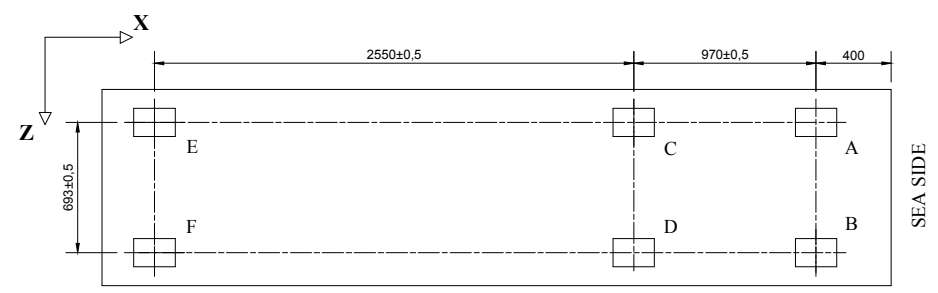
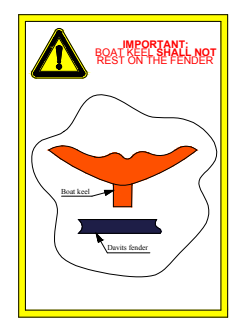


Isometric view of inner position (1:20)

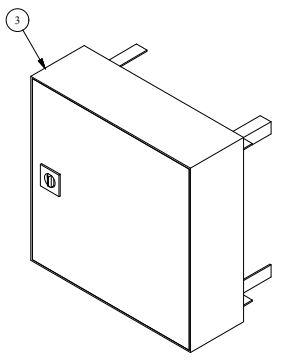


Isometric view of outer position (1:20)

NTDS 1800H	
SWL :	1800 kg
Hoisting/lowering speed :	18 m/min (or specified)
Dead ship lowering speed :	S = 0.4 + (0.02H)
Design spec. :	10 deg. trim, 20 deg. list simultaneously
Winch type :	NW 1800H
Shock Absorber :	At request
Wave compensation :	At request
Operation :	Remote control



Foot print (1:20)



Cabinet support (1:10)

FORCE (kN) AND MOMENTS (kNm) ON DECK (WITHOUT SAFETY FACTOR)																		
Davit outboard +20° roll / 10° trim																		
	Ax	Ay	Az	Bx	By	Bz	Cx	Cy	Cz	Dx	Dy	Dz	Ex	Ey	Ez	Fx	Fy	Fz
FORCE (kN) ON DECK	5.8	-41.2	10.5	-24.8	-25.5	0.1	8.7	15.5	-8.4	-12	-4	0	-8.2	3.8	2.7	16.4	-2.6	0
MOMENTS (kNm) ON DECK	0.9	0.1	0.7	-0.6	0.3	-4.5	0.7	0.1	1.4	0	0.3	-2.2	-0.4	0.1	1.5	-0.1	-0.3	3
Davit inboard -20° roll / 10° trim																		
FORCE (kN) ON DECK	5.1	-3.8	5	-13.7	5.9	0.1	-3.2	-15.5	-1.1	-13.5	-28.1	0	7.6	-6.2	3.4	17.7	-5.4	0
MOMENTS (kNm) ON DECK	-0.4	0.1	0.9	-0.1	0.3	-2.5	0.3	0.1	-0.5	-0.2	0.2	-2.4	-0.4	0.1	1.3	0.2	-0.4	3.2

REV	ITEM	QTY	PART NUMBER	STOCK NUMBER	DESCRIPTION	MATERIAL	MASS
00	1	1	13028-01-00	13028-01-00	Davit NTDS 1800H		
00	2	2	13028-03-00	13028-03-00	Electric cabinet		
00	3	1	13028-05-00	13028-05-00	Cabinet support		
00c	1	1	13028-01-00	13028-01-00	Davit NTDS 1800H		

This drawing is our property. It can't be reproduced or communicated without our written agreement.

PALFINGER

WEIGHT: N/A MATERIAL: DRAWING TITLE: General arrangement
 DRAWN BY: A Lewandowski DATE: 2014-10-13 NTDS 1800H
 CHECKED BY: Bartosz Kozłowski DATE: 2014-06-13 DRAWING NUMBER: 13028-00 REV.:
 APPROVED BY: Bogdan Yevchuk DATE: 2014-06-13 FILE NAME: 13028-00_Rev_00c 00b
 CUSTOMER: SCALE: 1:35 SHEET SIZE: A1 SHEET NO.: 1/1