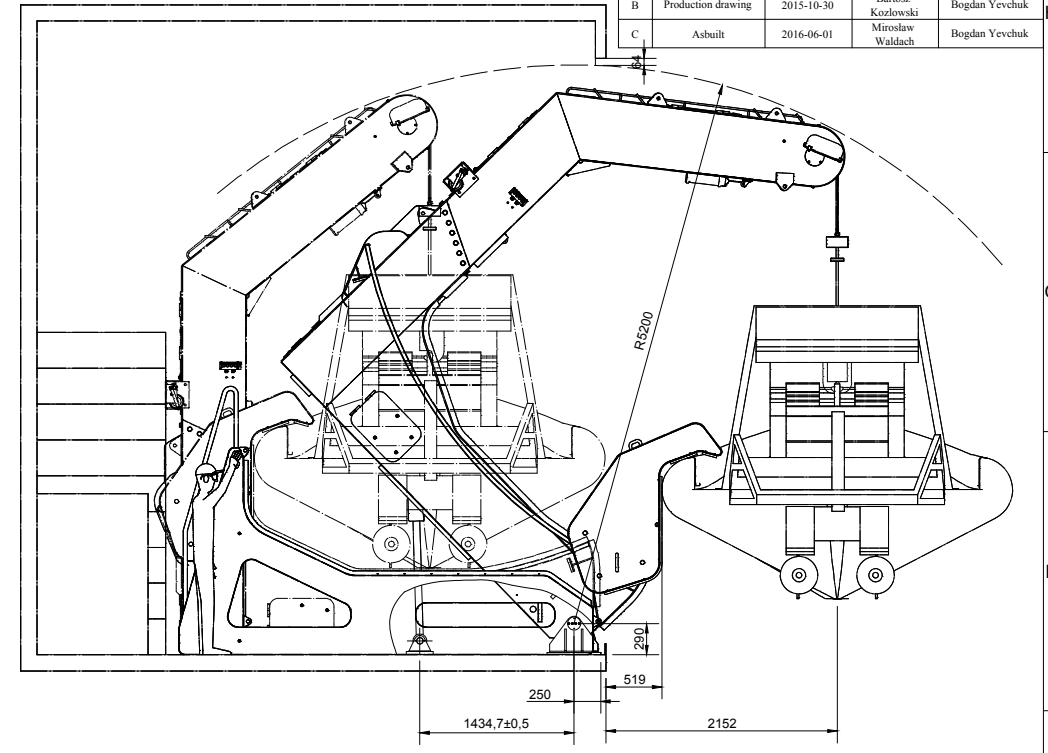
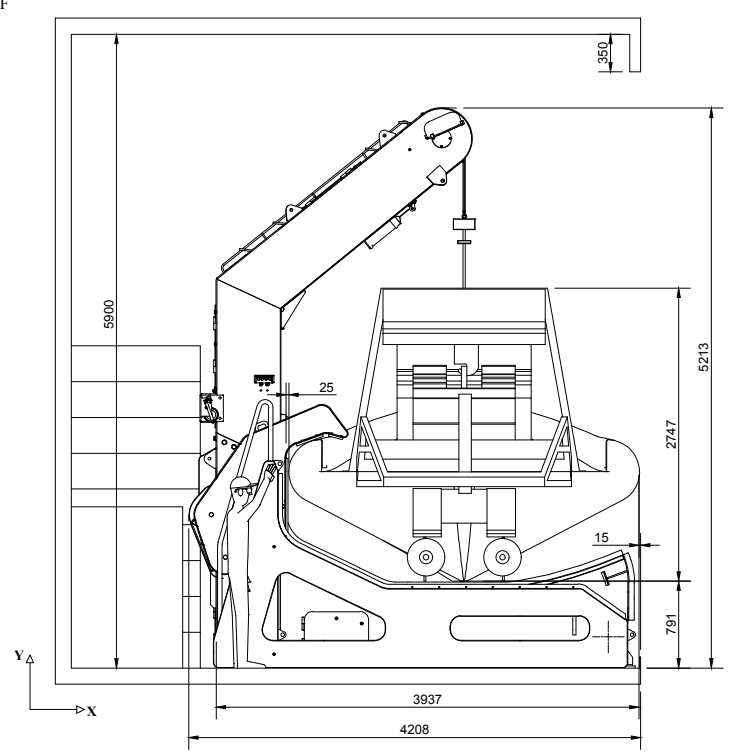
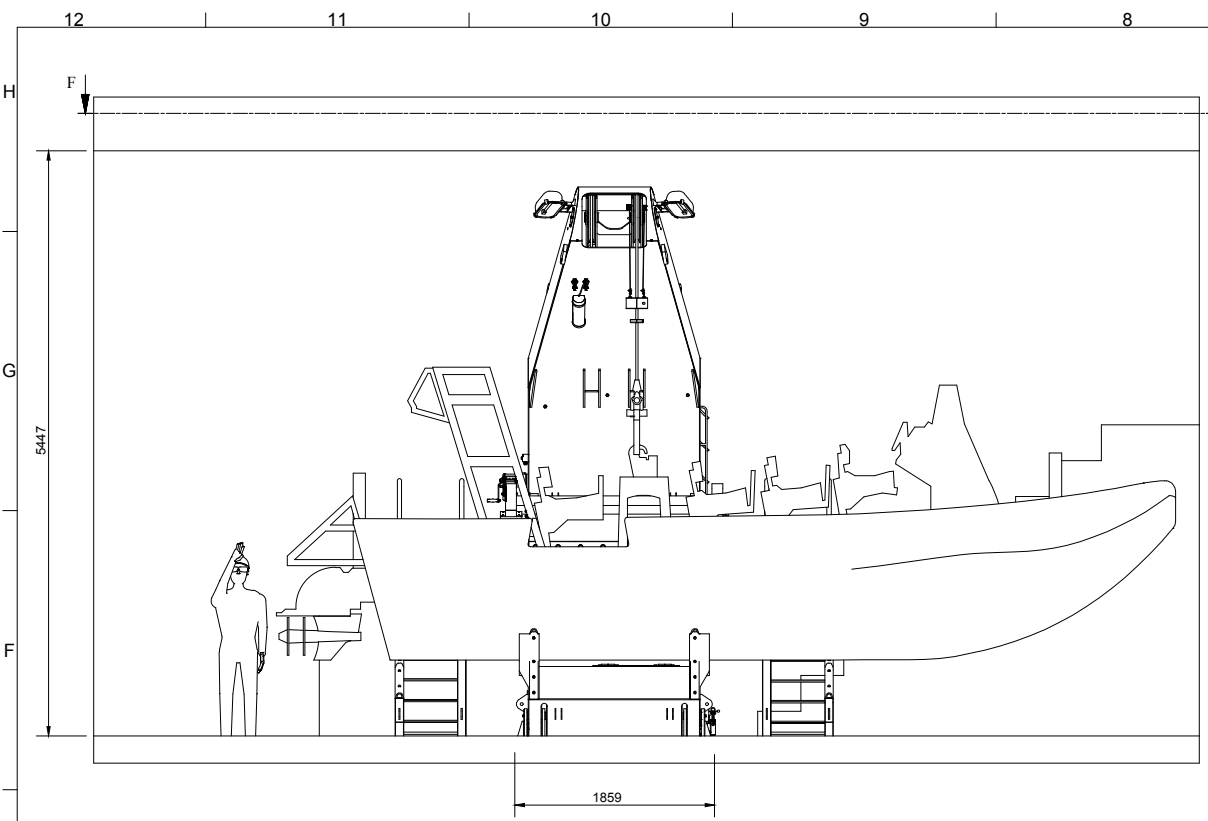
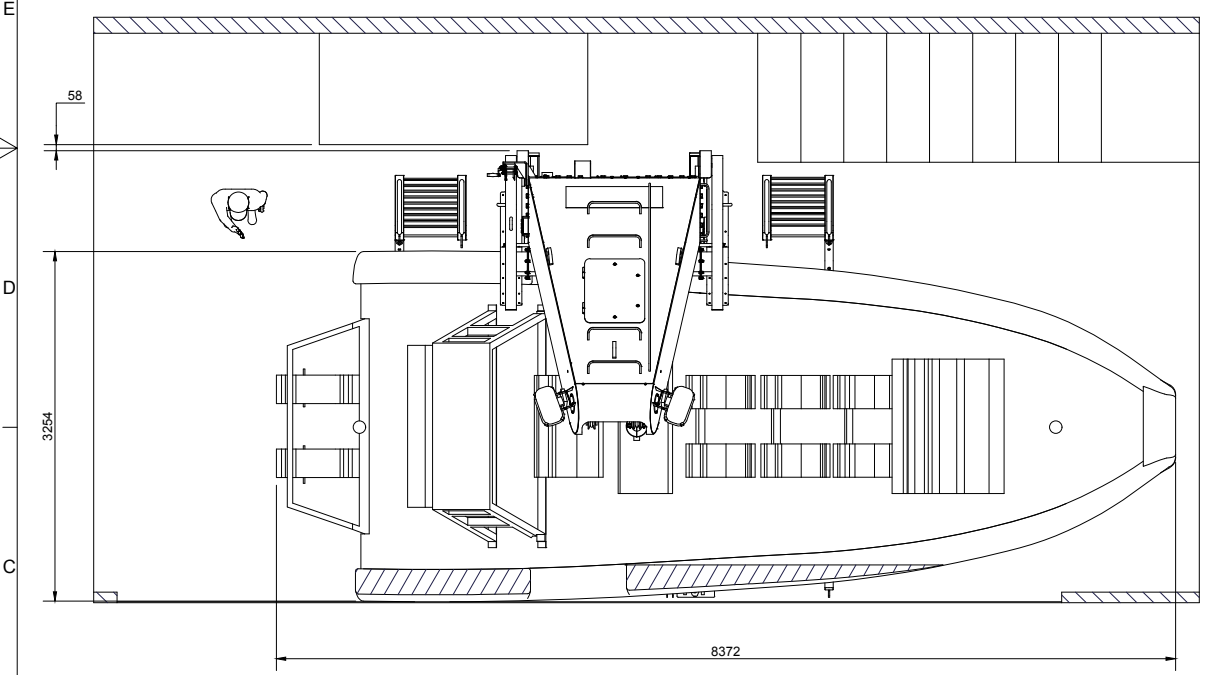


REVISION HISTORY					
Rev	Mark	Date sign	Checked by	Approved by	
A	Issued for control	2015-09-07	Olgan Tsvet	Bogdan Yevchuk	
B	Production drawing	2015-10-30	Bartosz Kozlowski	Bogdan Yevchuk	
C	Asbuilt	2016-06-01	Mirosław Waldach	Bogdan Yevchuk	

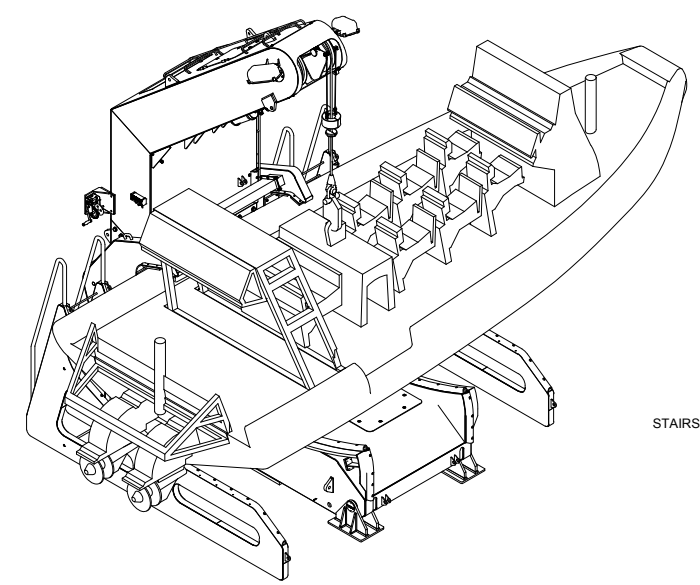


Inner position (1 : 35)

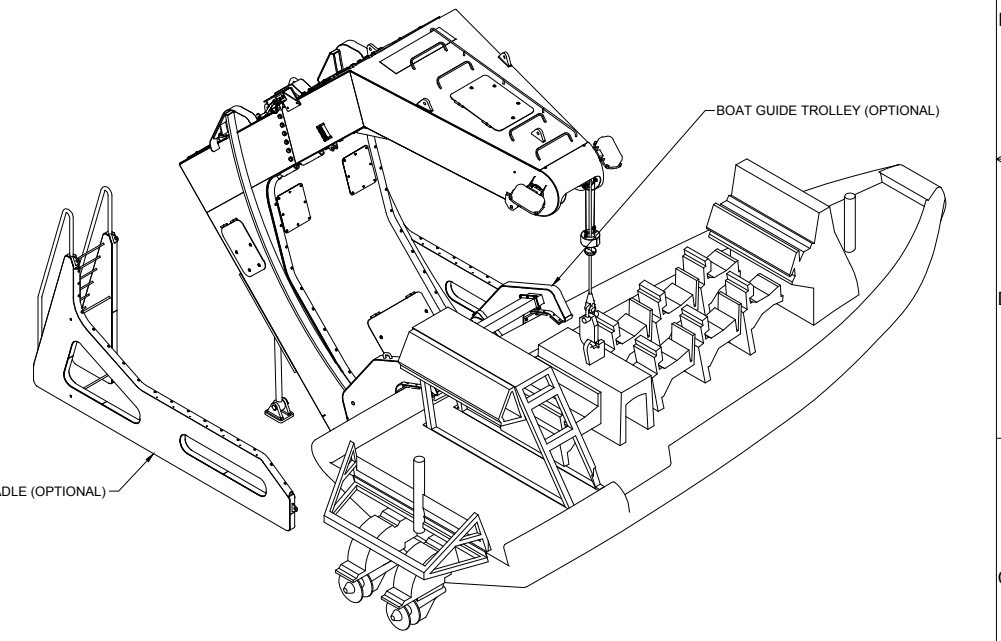
Inner/Outer position (1 : 35)



F-F (1 : 35)



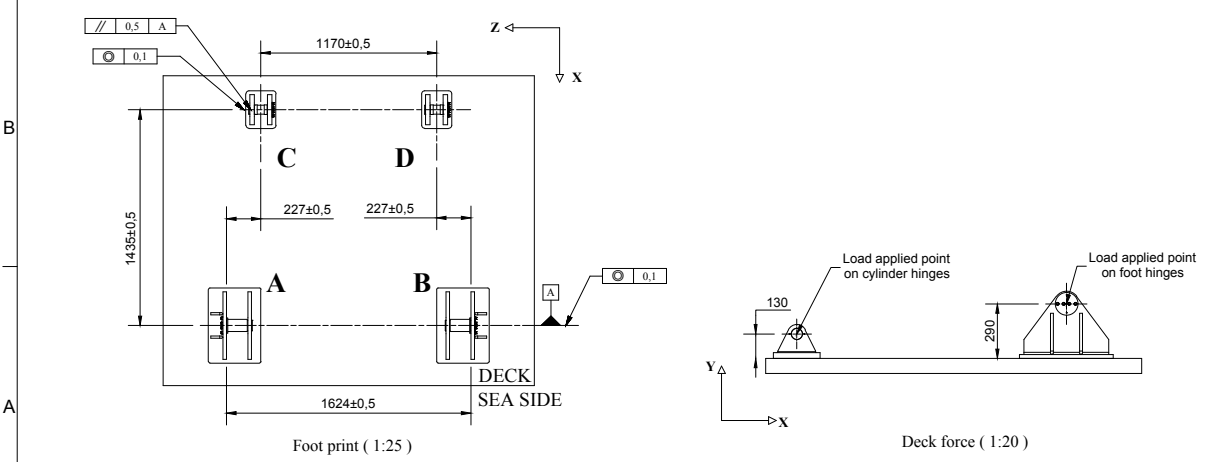
Isometric view (Inner position) (1 : 40)



Isometric view (Outer position) (1 : 40)

NPDS 6000H	
SWL :	6000 kg
Hoisting speed :	18 m/min/ 48 m/min (Optional)
Emergency lowering speed :	S = 0.4 + 0.02 H
Design spec. :	10 deg. trim, 20 deg. list simultaneously
Winch type :	NW 6000H
Shock Absorber :	Optional
Wave compensation :	Optional
Operation :	Remote control

FORCE ON DECK (kN) (WITHOUT SAFETY FACTOR)												
	Ax	Ay	Az	Bx	By	Bz	Cx	Cy	Cz	Dx	Dy	Dz
Davit inboard -20' roll / 10deg trim	-73.7	15.4	-9.1	-33	-14.2	-11.2	56.6	-34.5	-0.3	82.9	-50	-0.3
Davit outboard 20' roll / 10deg trim	17.3	-124	-7.2	-11.5	-180.3	-13.2	25	127.8	0.2	15	75.7	-0.3



Foot print (1:25)

Deck force (1:20)

Item	Qty	Description	Material	Art. no.	Remarks	Kg. pr. unit
5	1	Preliminary BOAT MAX BEAM 3.25M	Default	BOAT MAX BEAM 3.25M		
4	1	Stair w/cradle	Default	15036-01-00		385.4 kg
3	1	Boat cradle assembly	Default	15036-02-01-00A		141 kg
2	1	Stair w/cradle	Default	15036-02-00		385.3 kg
1	1	Davit NPDS 6000H	Optional	15036-01-00		

This drawing is the property of PALFINGER MARINE SAFETY AS. It may not be copied, altered or made available to others without our written permission.

PALFINGER

Date: 2015-10-30 Name: A Lewandowski Projection: Scale: 1:35 Replacement for: Replaced by:

Checked: Bartosz Kozlowski Approved: Bogdan Yevchuk

NPDS 6000H Trolley Version general arrangement
BOAT MAX. BEAM 3.25M
15036 NPDS 6000H Trolley Version

Reference: 15036-00 C Calculation Sheet 1 / 1